

Instructions for use

WASHING MACHINE

GB

GB

English,1

GR

ΕΛΛΗΝΙΚΑ,13

RO

Română,25

ES

Español,37

PT

Português,49

ARXXL 105

Contents

Installation, 2-3

Unpacking and levelling
Connecting the electricity and water supplies
The first wash cycle
Technical data

Description of the washing machine and starting a wash cycle, 4-5

Control panel
Indicator lights
Starting a wash cycle

Wash cycles, 6

Table of wash cycles

Personalisation, 7

Setting the temperature
Setting the spin speed
Functions

Detergents and laundry, 8

Detergent dispenser drawer
Bleach cycle
Preparing the laundry
Garments requiring special care
Load balancing system

Precautions and tips, 9

General safety
Disposal
Opening the porthole door manually

Care and maintenance, 10

Cutting off the water or electricity supply
Cleaning the washing machine
Cleaning the detergent dispenser drawer
Caring for the door and drum of your appliance
Cleaning the pump
Checking the water inlet hose

Troubleshooting, 11

Service, 12

 **Hotpoint**
ARISTON

Installation

GB

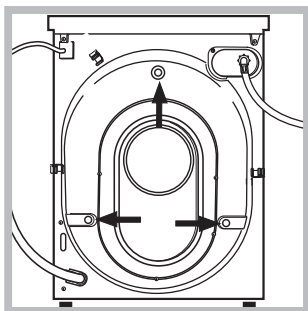
! This instruction manual should be kept in a safe place for future reference. If the washing machine is sold, transferred or moved, make sure that the instruction manual remains with the machine so that the new owner is able to familiarise himself/herself with its operation and features.

! Read these instructions carefully: they contain vital information relating to the safe installation and operation of the appliance.

Unpacking and levelling

Unpacking

1. Remove the washing machine from its packaging.
2. Make sure that the washing machine has not been damaged during the transportation process. If it has been damaged, contact the retailer and do not proceed any further with the installation process.



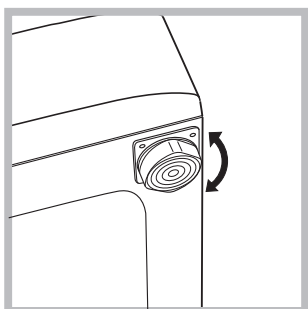
3. Remove the 3 protective screws (used during transportation) and the rubber washer with the corresponding spacer, located on the rear part of the appliance (see figure).

4. Close off the holes using the plastic plugs provided.
5. Keep all the parts in a safe place: you will need them again if the washing machine needs to be moved to another location.

! Packaging materials should not be used as toys for children.

Levelling

1. Install the washing machine on a flat sturdy floor, without resting it up against walls, furniture cabinets or anything else.

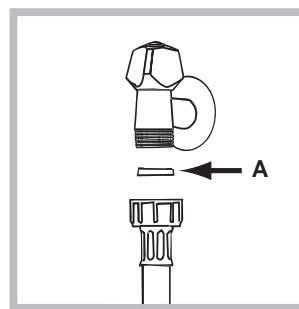


2. If the floor is not perfectly level, compensate for any unevenness by tightening or loosening the adjustable front feet (see figure); the angle of inclination, measured in relation to the worktop, must not exceed 2°.

Levelling the machine correctly will provide it with stability, help to avoid vibrations and excessive noise and prevent it from shifting while it is operating. If it is placed on carpet or a rug, adjust the feet in such a way as to allow a sufficient ventilation space underneath the washing machine.

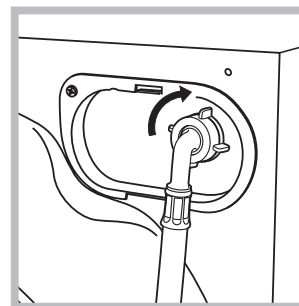
Connecting the electricity and water supplies

Connecting the water inlet hose



1. Insert seal A into the end of the inlet hose and screw the latter onto a cold water tap with a 3/4 gas threaded opening (see figure).

Before performing the connection, allow the water to run freely until it is perfectly clear.



2. Connect the inlet hose to the washing machine by screwing it onto the corresponding water inlet of the appliance, which is situated on the top right-hand side of the rear part of the appliance (see figure).

3. Make sure that the hose is not folded over or bent.

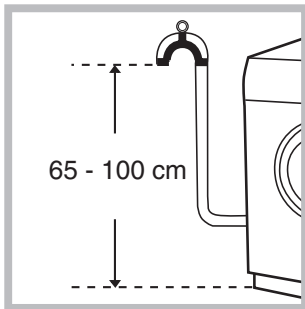
! The water pressure at the tap must fall within the values indicated in the Technical details table (see next page).

! If the inlet hose is not long enough, contact a specialised shop or an authorised technician.

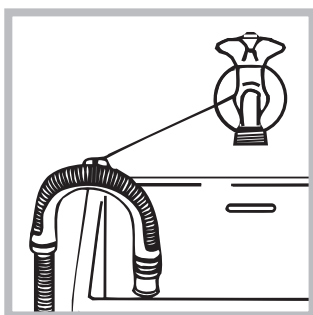
! Never use second-hand hoses.

! Use the ones supplied with the machine.

Connecting the drain hose



Connect the drain hose, without bending it, to a drainage duct or a wall drain located at a height between 65 and 100 cm from the floor;



alternatively, rest it on the side of a washbasin or bathtub, fastening the duct supplied to the tap (see figure). The free end of the hose should not be underwater.

! We advise against the use of hose extensions; if it is absolutely necessary, the extension must have the same diameter as the original hose and must not exceed 150 cm in length.

Electrical connections

Before plugging the appliance into the electricity socket, make sure that:

- the socket is earthed and complies with all applicable laws;
- the socket is able to withstand the maximum power load of the appliance as indicated in the Technical data table (see opposite);
- the power supply voltage falls within the values indicated in the Technical data table (see opposite);
- the socket is compatible with the plug of the washing machine. If this is not the case, replace the socket or the plug.

! The washing machine must not be installed outdoors, even in covered areas. It is extremely dangerous to leave the appliance exposed to rain, storms and other weather conditions.

! When the washing machine has been installed, the electricity socket must be within easy reach.

! Do not use extension cords or multiple sockets.

! The cable should not be bent or compressed.

! The power supply cable must only be replaced by authorised technicians.

Warning! The company shall not be held responsible in the event that these regulations are not respected.

The first wash cycle

Once the appliance has been installed, and before you use it for the first time, run a wash cycle with detergent and no laundry, using the wash cycle 1.

Technical data

Model	ARXXL 105
Dimensions	width 59.5 cm height 85 cm depth 56,5 cm
Capacity	from 1 to 7 kg
Electrical connections	please refer to the technical data plate fixed to the machine
Water connections	maximum pressure 1 MPa (10 bar) minimum pressure 0.05 MPa (0.5 bar) drum capacity 52 litres
Spin speed	up to 1000 rotations per minute
Energy rated programmes according to regulation EN 60456	programme 6; temperature 60°C; using a load of 7 kg.

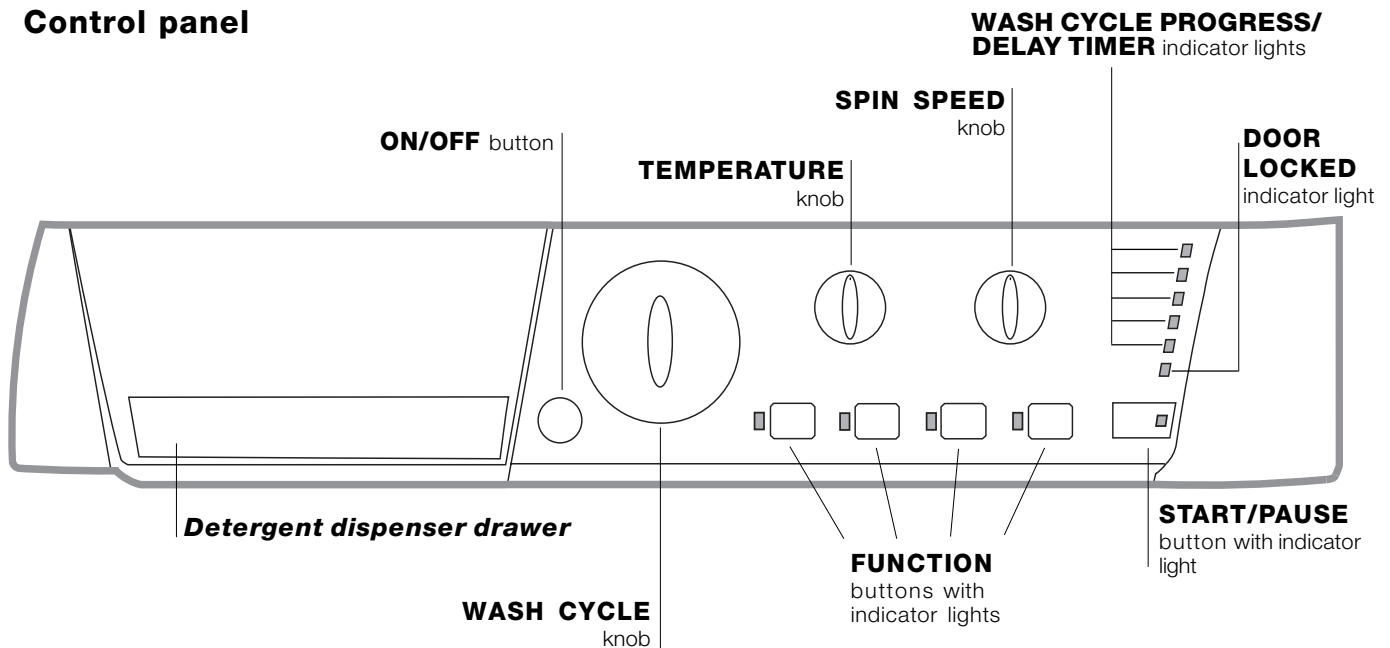


This appliance conforms to the following EC Directives:
- 72/23/EEC dated 19/02/73 (Low Voltage) and subsequent modifications
- 89/336/EEC dated 03/05/89 (Electromagnetic Compatibility) and subsequent modifications
- 2002/96/EC

Description of the washing machine and starting a wash cycle

GB

Control panel



Detergent dispenser drawer: used to dispense detergents and washing additives (see “Detergents and laundry”).

There is a key which provides a summary of the available wash cycles inside the detergent dispenser drawer; this may be consulted at any time.

ON/OFF button: switches the washing machine on and off.

WASH CYCLE knob: programmes the wash cycles. During the wash cycle, the knob does not move.

FUNCTION buttons with indicator light: used to select the available functions. The indicator light corresponding to the selected function will remain lit.

TEMPERATURE knob: sets the temperature or the cold wash cycle (see “Personalisation”).

SPIN SPEED knob: sets the spin speed or exclude the spin cycle completely (see “Personalisation”).

WASH CYCLE PROGRESS/DELAY TIMER


indicator lights: used to monitor the progress of the wash cycle.

The illuminated indicator light shows which phase is in progress.

If the Delay Timer function has been set, the time remaining until the wash cycle starts will be indicated (see next page).

DOOR LOCKED indicator light: indicates whether the door may be opened or not (see next page).

START/PAUSE button with indicator light: starts or temporarily interrupts the wash cycles.

N.B. To pause the wash cycle in progress, press this button; the corresponding indicator light will flash orange, while the indicator light for the current wash cycle phase will remain lit in a fixed manner. If the DOOR LOCKED  indicator light is switched off, the door may be opened.

To start the wash cycle from the point at which it was interrupted, press this button again.

Indicator lights

The indicator lights provide important information. This is what they can tell you:

Delayed start

If the DELAY TIMER function has been activated (see "Personalisation"), after the wash cycle has been started the indicator light corresponding to the selected delay period will begin to flash:



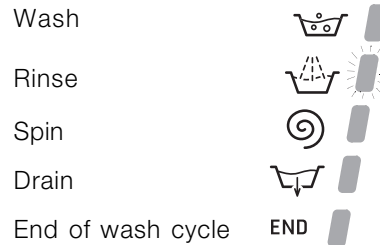
As time passes, the remaining delay will be displayed and the corresponding indicator light will flash:



Once the set delay has elapsed, the flashing indicator light will switch off and the selected wash cycle will begin.

Wash cycle phase indicator lights

Once the desired wash cycle has been selected and has begun, the indicator lights switch on one by one to indicate which phase of the cycle is currently in progress.



Function buttons and corresponding indicator lights

When a function is selected, the corresponding indicator light will illuminate.

If the selected function is not compatible with the programmed wash cycle, the corresponding indicator light will flash and the function will not be activated. If a function which is incompatible with another function selected previously, only the most recent selection will remain active.

Door locked indicator light

If this indicator light is on, the appliance door is locked to prevent it from being opened accidentally; to avoid any damage, wait for the indicator light to switch off before you open the appliance door.

N.B. If the DELAY TIMER function is activated, the door cannot be opened; pause the machine by pressing the START/PAUSE button if you wish to open it.

! If the START/PAUSE indicator light (orange) flashes rapidly at the same time as the function indicator light, this indicates a problem has occurred (see "Troubleshooting").

Starting a wash cycle

1. Switch the washing machine on by pressing the ON/OFF button. All indicator lights will switch on for a few seconds, then they will switch off and the START/PAUSE indicator light will pulse.
2. Load the laundry and close the door.
3. Set the WASH CYCLE knob to the desired programme.
4. Set the washing temperature (see "Personalisation").
5. Set the spin speed (see "Personalisation").
6. Measure out the detergent and washing additives (see "Detergents and laundry").
7. Select the desired functions.
8. Start the wash cycle by pressing the START/PAUSE button and the corresponding indicator light will remain lit in a fixed manner, in green.
To cancel the set wash cycle, pause the machine by pressing the START/PAUSE button and select a new cycle.
9. At the end of the wash cycle the END indicator light will switch on. The DOOR LOCKED indicator light will switch off, indicating that the door may be opened. Take out your laundry and leave the appliance door ajar to make sure the drum dries completely.
Switch the washing machine off by pressing the ON/OFF button.

Wash cycles

GB

Table of wash cycles

Wash cycles	Description of the wash cycle	Max temp. (°C)	Max. speed (rpm)	Detergents			Max. load (kg)	Cycle duration
				Bleach	Wash	Fabric softener		
Special cycles								
6	Sanitizing cycle: Extremely soiled whites.	90°	1000	●	●	●	7	165
6	Sanitizing cycle (1): Heavily soiled whites and resistant colours.	60°	1000	-	●	●	7	175
7	Goodnigt cycle: Lightly soiled delicate colours.	40°	800	-	●	●	4	290
8	Baby cycle: Heavily soiled delicate colours.	40°	800	-	●	●	2	118
9	Shirts	40°	600	-	●	●	2	70
10	Silk/Curtains: For garments in silk and viscose, lingerie.	30°	0	-	●	●	2	55
11	Wool: For wool, cashmere, etc.	40°	600	-	●	●	1,5	55
Everyday wash cycles (Daily)								
1	Cotton: Heavily soiled whites and resistant colours.	60°	1000	●	●	●	7	130
1	Cotton (2): Heavily soiled whites and delicate colours.	40°	1000	●	●	●	7	115
2	Coloured Cottons (3): Lightly soiled whites and delicate colours.	40°	1000	●	●	●	7	85
3	Synthetics resists: Heavily soiled resistant colours.	60°	800	-	●	●	3	85
3	Synthetics delicates: Lightly soiled resistant colours.	40°	800	-	●	●	3	70
4	Mix 30': To refresh lightly soiled garments quickly (not suitable for wool, silk and clothes which require washing by hand).	30°	800	-	●	●	3	30
5	Mix 15': To refresh lightly soiled garments quickly (not suitable for wool, silk and clothes which require washing by hand).	30°	800	-	●	●	1,5	15
Partial wash cycles								
A	Rinse	-	1000	-	-	●	7	44
B	Light rinse	-	800	-	-	●	3	37
C	Spin	-	1000	-	-	-	7	16
D	Light spin	-	800	-	-	-	3	12
E	Drain no spin	-	0	-	-	-	7	2

The information contained in the table is intended as a guide only.

For all Test Institutes:

- 1) Test wash cycle in compliance with regulation EN 60456: set wash cycle 6 with a temperature of 60°C.
- 2) Long wash cycle for cottons: set wash cycle 1 with a temperature of 40°C.
- 3) Short wash cycle for cottons: set wash cycle 2 with a temperature of 40°C.

Specials wash cycles

Sanitizing cycle (wash cycle 6). A high-temperature hygienic wash cycle (over 60°C) which requires the use of bleach. Pour the bleach, the detergent and the additives into the relevant compartments (see paragraph entitled "Detergent dispenser drawer").

Goodnigt cycle (wash cycle 7). This is a silent cycle which can be run at night, when the electricity prices are lower. The wash cycle is designed for cottons and synthetics. At the end of the cycle the machine stops while there is still water in the drum; to spin and drain the laundry press the START/PAUSE button; alternatively the machine will perform the spin cycle and drain the water automatically after 8 hours.

Baby cycle (wash cycle 8). This wash cycle can be used to remove the soiling typically caused by babies, while ensuring that all detergent is removed from nappies in order to prevent the delicate skin of babies from suffering allergies. The cycle has been designed to reduce the amount of bacteria by using a greater quantity of water and optimising the effect of special disinfecting additives added to the detergent.

At the end of the wash cycle, the machine will slowly rotate the drum to prevent the formation of creases; to end the cycle press the START/PAUSE button.

Mix 30' (wash cycle 4) this wash cycle was designed to wash lightly soiled garments quickly: it lasts just 30 minutes and therefore saves both energy and time. By selecting this wash cycle (4 at 30°C), it is possible to wash different fabrics together (except for wool and silk items), with a maximum load of 3 kg.

Mix 15'(wash cycle 5) this wash cycle was designed to wash lightly soiled garments quickly: it lasts just 15 minutes and therefore saves both energy and time. By selecting this wash cycle (5 at 30°C), it is possible to wash different fabrics together (except for wool and silk items), with a maximum load of 1.5 kg.

Setting the temperature

Turn the TEMPERATURE knob to set the wash temperature (see *Table of wash cycles*).

The temperature may be lowered, or even set to a cold wash (❄).

The washing machine will automatically prevent you from selecting a temperature which is higher than the maximum value set for each wash cycle.

Setting the spin speed

Turn the SPIN SPEED knob to set the spin speed for the selected wash cycle.

The maximum spin speeds available for each wash cycle are as follows:

Wash cycles	Maximum spin speed
Cottons	1000 rpm
Synthetics	800 rpm
Wool	600 rpm
Silk	drain only

The spin speed may be lowered, or the spin cycle can be excluded altogether by selecting the symbol (⊘).

The washing machine will automatically prevent you from selecting a spin speed which is higher than the maximum speed set for each wash cycle.

Functions

The various wash functions available with this washing machine will help to achieve the desired results, every time.

To activate the functions:

1. Press the button corresponding to the desired function;
2. the function is enabled when the corresponding indicator light is illuminated.

Note: If the indicator light flashes rapidly, this signals that this particular function may not be selected in conjunction with the selected wash cycle.

Delay timer

This timer delays the start time of the wash cycle by up to 12 hours.

Press the button repeatedly until the indicator light corresponding to the desired delay time switches on. The fifth time the button is pressed, the function will be disabled.

N.B. Once you have pressed the START/PAUSE button, the delay time may only be decreased if you wish to modify it.

! This option is enabled with all programmes.

Easy iron

By selecting this function, the wash and spin cycles will be modified in order to reduce the formation of creases.

At the end of the cycle the washing machine will perform slow rotations of the drum; the EASY IRON and START/PAUSE indicator lights will flash (orange) and the RINSE phase will remain lit in a fixed manner. To end the cycle, press the START/PAUSE button or the EASY IRON button.

For the **Silk** (10) wash cycle, the machine will end the cycle while the laundry is soaking and the EASY IRON indicator light will flash. To drain the water so that the laundry may be removed, press the START/PAUSE button or the EASY IRON button.

! This function may not be used in conjunction with wash cycles 4, 5, 6, 7, 8, 11, C, D, E.

Extra rinse

By selecting this function, the efficiency of the rinse is increased and optimal detergent removal is guaranteed. It is particularly useful for sensitive skin.

! This function may not be used in conjunction with wash cycles 4, 5, C, D, E.

Super Wash

Because a greater quantity of water is used in the initial phase of the cycle, and because of the increased cycle duration, this function offers a high-performance wash.

! This function may not be used in conjunction with wash cycles 4, 5, 6, 10, 11, A, B, C, D, E.

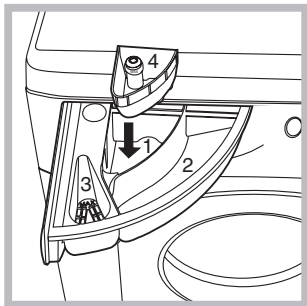
Detergents and laundry

GB

Detergent dispenser drawer

Good washing results also depend on the correct dose of detergent: adding too much detergent will not necessarily result in a more efficient wash, and may in fact cause build up on the inside of your appliance and contribute to environmental pollution.

! Do not use hand washing detergents because these create too much foam.



Open the detergent dispenser drawer and pour in the detergent or washing additive, as follows.

compartment 1: Pre-wash detergent (powder)

Before pouring in the detergent, make sure that extra compartment 4 has been removed.

compartment 2: Detergent for the wash cycle (powder or liquid)

Liquid detergent should only be poured in immediately prior to the start of the wash cycle.

compartment 3: Additives (fabric softeners, etc.)

The fabric softener should not overflow the grid.

extra compartment 4: Bleach

Bleach cycle

Bleaching may only be performed in conjunction with wash cycles **1, 2, 6**.

Pour the bleach into extra compartment **4**; pour the detergent and softener into the corresponding compartments, then select one of the abovementioned wash cycles.

This option is recommended only for very soiled cotton garments.

Preparing the laundry

- Divide the laundry according to:
 - the type of fabric/the symbol on the label
 - the colours: separate coloured garments from whites.
- Empty all garment pockets and check the buttons.
- Do not exceed the listed values, which refer to the weight of the laundry when dry:
 - Durable fabrics: max. 7 kg
 - Synthetic fabrics: max. 3 kg
 - Delicate fabrics: max. 2 kg
 - Wool: max. 1.5 kg

How much does your laundry weigh?

- 1 sheet 400-500 g
- 1 pillow case 150-200 g
- 1 tablecloth 400-500 g
- 1 bathrobe 900-1200 g
- 1 towel 150-250 g

Garments requiring special care


Shirts: use special wash cycle **9** to wash shirts in various fabrics and colours.

It guarantees maximum care is taken of the garments and minimises the formation of creases.

Silk: use special wash cycle **10** to wash all silk garments. We recommend the use of special detergent which has been designed to wash delicate clothes.

Curtains: these should be folded and placed inside the bag provided. Use wash cycle **10**.

Wool: Hotpoint/Ariston is the only washing machine manufacturer to have been awarded the prestigious Woolmark Platinum Care endorsement (M.0508) by the Woolmark Company, which means that all woollen garments may be washed in the washing machine, even those which state "hand wash only"

 on the label. Wash cycle **11** therefore offers complete peace of mind when washing woollen garments in the washing machine (max. load 1.5 kg) and guarantees optimal performance.

Load balancing system

Before every spin cycle, to avoid excessive vibrations and to distribute the load in a uniform manner, the drum rotates continuously at a speed which is slightly greater than the washing rotation speed. If, after several attempts, the load is not balanced correctly, the machine spins at a reduced spin speed. If the load is excessively unbalanced, the washing machine performs the distribution process instead of spinning. To encourage improved load distribution and balance, we recommend small and large garments are mixed in the load.

! This washing machine was designed and constructed in accordance with international safety regulations. The following information is provided for safety reasons and must therefore be read carefully.

General safety

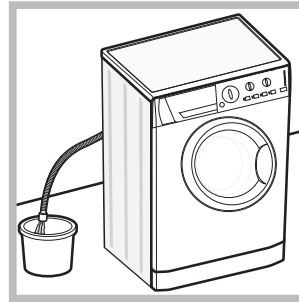
- This appliance was designed for domestic use only.
- The washing machine must only be used by adults, in accordance with the instructions provided in this manual.
- Do not touch the machine when barefoot or with wet or damp hands or feet.
- Do not pull on the power supply cable when unplugging the appliance from the electricity socket. Hold the plug and pull.
- Do not open the detergent dispenser drawer while the machine is in operation.
- Do not touch the drained water as it may reach extremely high temperatures.
- Never force the porthole door. This could damage the safety lock mechanism designed to prevent accidental opening.
- If the appliance breaks down, do not under any circumstances access the internal mechanisms in an attempt to repair it yourself.
- Always keep children well away from the appliance while it is operating.
- The door can become quite hot during the wash cycle.
- If the appliance has to be moved, work in a group of two or three people and handle it with the utmost care. Never try to do this alone, because the appliance is very heavy.
- Before loading laundry into the washing machine, make sure the drum is empty.

Disposal

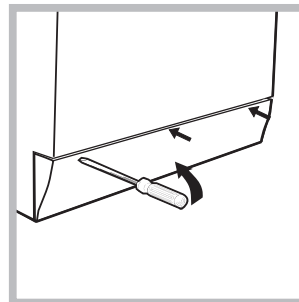
- Disposing of the packaging materials: observe local regulations so that the packaging may be re-used.
 - The European Directive 2002/96/EC on Waste Electrical and Electronic Equipment, requires that old household electrical appliances must not be disposed of in the normal unsorted municipal waste stream. Old appliances must be collected separately in order to optimise the recovery and recycling of the materials they contain and reduce the impact on human health and the environment. The crossed out "wheeled bin" symbol on the product reminds you of your obligation, that when you dispose of the appliance it must be separately collected.
- Consumers should contact their local authority or retailer for information concerning the correct disposal of their old appliance.

Opening the porthole door manually

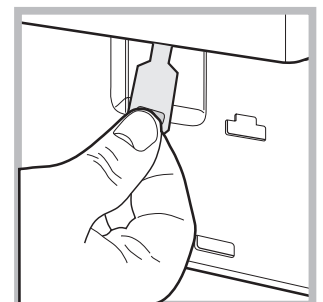
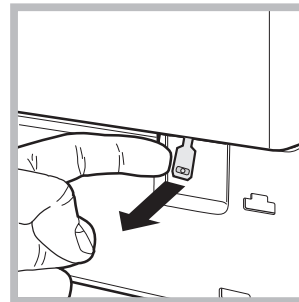
In the event that it is not possible to open the porthole door due to a powercut, and if you wish to remove the laundry, proceed as follows:



1. remove the plug from the electrical socket.
2. make sure the water level inside the machine is lower than the door opening; if it is not, remove excess water using the drain hose, collecting it in a bucket as indicated in the figure.



3. using a screwdriver, remove the cover panel on the lower front part of the washing machine (see figure).



4. pull outwards using the tab as indicated in the figure, until the plastic tie-rod is freed from its stop position; pull downwards and open the door at the same time.

5. reposition the panel, making sure the hooks are securely in place before you push it onto the appliance.

Care and maintenance

GB

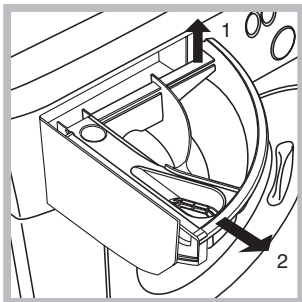
Cutting off the water and electricity supplies

- Turn off the water tap after every wash cycle. This will limit wear on the hydraulic system inside the washing machine and help to prevent leaks.
- Unplug the washing machine when cleaning it and during all maintenance work.

Cleaning the washing machine

The outer parts and rubber components of the appliance can be cleaned using a soft cloth soaked in lukewarm soapy water. Do not use solvents or abrasives.

Cleaning the detergent dispenser drawer



Remove the dispenser by raising it and pulling it out (see figure). Wash it under running water; this operation should be repeated frequently.

Caring for the door and drum of your appliance

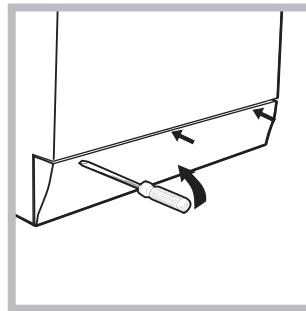
- Always leave the porthole door ajar in order to prevent unpleasant odours from forming.

Cleaning the pump

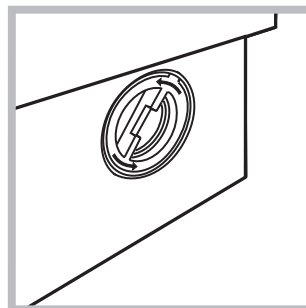
The washing machine is fitted with a self-cleaning pump which does not require any maintenance. Sometimes, small items (such as coins or buttons) may fall into the pre-chamber which protects the pump, situated in its bottom part.

! Make sure the wash cycle has finished and unplug the appliance.

To access the pre-chamber:



1. using a screwdriver, remove the cover panel on the lower front part of the washing machine (see figure);



2. unscrew the lid by rotating it anti-clockwise (see figure); a little water may trickle out. This is perfectly normal;

3. clean the inside thoroughly;
4. screw the lid back on;
5. reposition the panel, making sure the hooks are securely in place before you push it onto the appliance.

Checking the water inlet hose

Check the inlet hose at least once a year. If there are any cracks, it should be replaced immediately: during the wash cycles, water pressure is very strong and a cracked hose could easily split open.

! Never use second-hand hoses.

Your washing machine could fail to work. Before contacting the Technical Assistance Centre (see “Assistance”), make sure that the problem cannot be not solved easily using the following list.

Problem:

Possible causes / Solutions:

The washing machine does not switch on.

- The appliance is not plugged into the socket fully, or is not making contact.
- There is no power in the house.

The wash cycle does not start.

- The washing machine door is not closed properly.
- The ON/OFF button has not been pressed.
- The START/PAUSE button has not been pressed.
- The water tap has not been opened.
- A delayed start has been set (see “Personalisation”).

The washing machine does not take in water (the indicator light for the first wash cycle stage flashes rapidly).

- The water inlet hose is not connected to the tap.
- The hose is bent.
- The water tap has not been opened.
- There is no water supply in the house.
- The pressure is too low.
- The START/PAUSE button has not been pressed.

The washing machine continuously takes in and drains water.

- The drain hose is not fitted at a height between 65 and 100 cm from the floor (see “Installation”).
- The free end of the hose is under water (see “Installation”).
- The wall drainage system is not fitted with a breather pipe.

If the problem persists even after these checks, turn off the water tap, switch the appliance off and contact the Assistance Service. If the dwelling is on one of the upper floors of a building, there may be problems relating to water drainage, causing the washing machine to fill with water and drain continuously. Special anti-draining valves are available in shops and help to avoid this inconvenience.

The washing machine does not drain or spin.

- The wash cycle does not include draining: some wash cycles require the drain phase to be started manually.
- The EASY IRON function has been activated: To complete the wash cycle, press the START/PAUSE button (“Personalisation”).
- The drain hose is bent (see “Installation”).
- The drainage duct is clogged.

The washing machine vibrates a lot during the spin cycle.

- The drum was not unlocked correctly during installation (see “Installation”).
- The washing machine is not level (see “Installation”).
- The washing machine is trapped between cabinets and walls (see “Installation”).

The washing machine leaks.

- The water inlet hose is not screwed on properly (see “Installation”).
- The detergent dispenser drawer is blocked (for cleaning instructions, see “Care and maintenance”).
- The drain hose is not fixed properly (see “Installation”).

The START/PAUSE indicator light (orange) and the function indicator lights flash rapidly.

- Switch off the machine and unplug it, wait for approximately 1 minute and then switch it back on again.
If the problem persists, contact the Technical Assistance Service.

There is too much foam.

- The detergent is not suitable for machine washing (it should display the text “for washing machines” or “hand and machine wash”, or the like).
- Too much detergent was used.

Service

GB

Before calling for Assistance:

- Check whether you can solve the problem alone (see “*Troubleshooting*”);
- Restart the programme to check whether the problem has been solved;
- If this is not the case, contact an authorised Technical Assistance Centre using the telephone number provided on the guarantee certificate.

! Always request the assistance of authorised technicians.

Have the following information to hand:

- the type of problem;
- the appliance model (Mod.);
- the serial number (S/N).

This information can be found on the data plate applied to the rear of the washing machine, and can also be found on the front of the appliance by opening the door.

GR

Ελληνικά

ARXXL 105

Περιεχόμενα

Εγκατάσταση, 14-15

Αποσυσκευασία και οριζοντίωση
Υδραυλικές και ηλεκτρικές συνδέσεις
Πρώτος κύκλος πλυσίματος
Τεχνικά στοιχεία

Περιγραφή του πλυντηρίου και εκκίνηση ενός προγράμματος, 16-17

Πίνακας ελέγχου
Ενδεικτικά φωτάκια
Εκκίνηση ενός προγράμματος

Προγράμματα, 18

Πίνακας των Προγραμμάτων

Εξατομικεύσεις, 19

Θέστε τη θερμοκρασία
Θέστε το στύψιμο
Λειτουργίες

Απορρυπαντικά και μπουγάδα, 20

Θήκη απορρυπαντικών
Κύκλος λεύκανσης
Προετοιμασία της μπουγάδας
Ειδικά ρούχα
Σύστημα ισοστάθμισης του φορτίου

Προφυλάξεις και συμβουλές, 21

Γενική ασφάλεια
Διάθεση
Χειρονακτικό άνοιγμα της πόρτας

Συντήρηση και φροντίδα, 22

Αποκλεισμός νερού και ηλεκτρικού ρεύματος
Καθαρισμός του πλυντηρίου
Καθαρισμός του συρταριού απορρυπαντικών
Φροντίδα της πόρτας και του κάδου
Καθαρισμός της αντλίας
Έλεγχος του σωλήνα τροφοδοσίας του νερού

Ανωμαλίες και λύσεις, 23

Υποστήριξη, 24

 **Hotpoint**
ARISTON

GR

Εγκατάσταση

GR

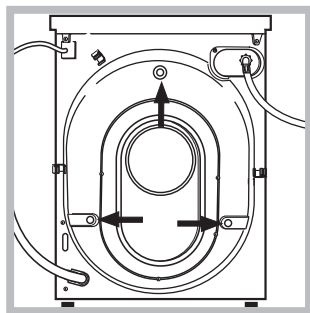
! Είναι σημαντικό να διατηρήσετε το εγχειρίδιο αυτό για να μπορείτε να το συμβουλευέστε οποιαδήποτε στιγμή. Σε περίπτωση πώλησης, παραχώρησης ή μετακόμισης, βεβαιωθείτε ότι παραμένει μαζί με το πλυντήριο για να πληροφορεί τον νέο ιδιοκτήτη για τη λειτουργία και τις σχετικές προειδοποιήσεις.

! Διαβάστε προσεκτικά τις οδηγίες: υπάρχουν σημαντικές πληροφορίες για την εγκατάσταση, τη χρήση και την ασφάλεια.

Αποσυσκευασία και οριζόντιωση

Αποσυσκευασία

1. Αποσυσκευάστε το πλυντήριο.
2. Ελέγξτε αν το πλυντήριο έχει υποστεί ζημιές κατά τη μεταφορά. Αν έχει υποστεί ζημιές μην το συνδέετε και επικοινωνήστε με τον μεταπωλητή.



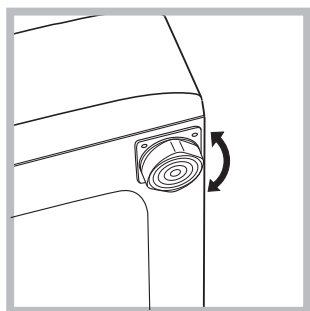
3. Αφαιρέστε τις 3 βίδες προστασίας για τη μεταφορά και το λαστιχάκι με το σχετικό διαχωριστικό, που βρίσκονται στο πίσω μέρος (βλέπε εικόνα).

4. Κλείστε τις οπές με τα πλαστικά πώματα που σας παρέχονται.
5. Διατηρείστε και τα τρία τεμάχια: αν το πλυντήριο χρειαστεί να μεταφερθεί, θα πρέπει να ξαναμονταριστούν.

! Οι συσκευασίες δεν είναι παιχνίδια για μικρά παιδιά.

Ευθυγράμμιση

1. Εγκαταστήστε το πλυντήριο σε ένα δάπεδο επίπεδο και ανθεκτικό, χωρίς να το ακουμπήσετε σε τοίχους, έπιπλα ή άλλο.

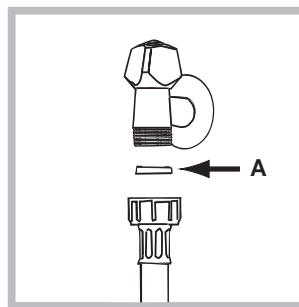


2. Αν το δάπεδο δεν είναι απόλυτα οριζοντιωμένο, αντισταθμίστε τις ανωμαλίες βιδώνοντας ή ξεβιδώνοντας τα πρόσθια ποδαράκια (βλέπε εικόνα). Η γωνία κλίσης, μετρημένη στην επιφάνεια εργασίας, δεν πρέπει να ξεπερνάει τις 2°.

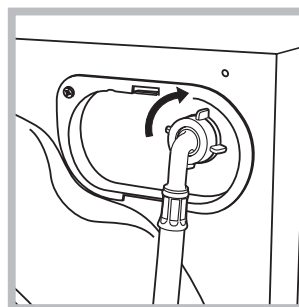
Μια φροντισμένη οριζόντιωση προσδίδει σταθερότητα στη μηχανή και αποσοβεί δονήσεις, θορύβους και μετατοπίσεις κατά τη λειτουργία. Σε περίπτωση μοκέτας ή τάπητα, ρυθμίστε τα ποδαράκια έτσι ώστε να υφίσταται κάτω από το πλυντήριο αρκετός χώρος για τον αερισμό.

Υδραυλικές και ηλεκτρικές συνδέσεις

Σύνδεση του σωλήνα τροφοδοσίας του νερού



1. Εισάγετε την τσιμούχα A στο άκρο του σωλήνα τροφοδοσίας και βιδώστε τη σε ένα κρουνό κρύου νερού με στόμιο σπειρώματος 3/4 gas (βλέπε εικόνα). Πριν τη σύνδεση, αφήστε να τρέξει το νερό μέχρι να γίνει διαυγές.



2. Συνδέστε το σωλήνα τροφοδοσίας στο πλυντήριο βιδώνοντάς τον στην αντίστοιχη είσοδο νερού, στο πίσω μέρος επάνω δεξιά (βλέπε εικόνα).

3. Προσέξτε ώστε στο σωλήνα να μην υπάρχουν ούτε πτυχώσεις, ούτε στενώσεις.

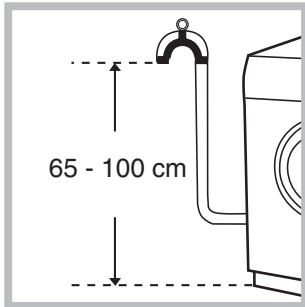
! Η πίεση νερού του κρουνού πρέπει να κυμαίνεται μεταξύ των τιμών του πίνακα Τεχνικά στοιχεία (βλέπε σελίδα δίπλα).

! Αν το μήκος του σωλήνα τροφοδοσίας δεν επαρκεί, απευθυνθείτε σε ένα ειδικευμένο κατάστημα ή σε ένα εξουσιοδοτημένο τεχνικό.

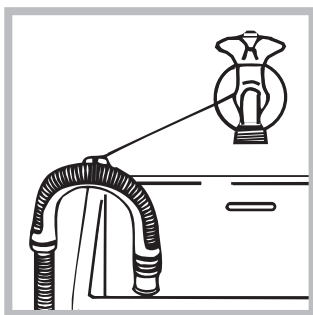
! Μη χρησιμοποιείτε ποτέ χρησιμοποιημένους σωλήνες.

! Χρησιμοποιείτε εκείνους που σας παρέχονται με τη μηχανή.

Σύνδεση του σωλήνα αδειάσματος



Συνδέστε αδειάσματος, χωρίς να τον διπλώσετε, σε έναν αγωγό εκκένωσης ή σε μια επιτοίχια αποχέτευση σε απόσταση από 65 έως 100 cm από το έδαφος.



Διαφορετικά αποθέστε τον στο χείλος ενός νιπτήρα ή μιας λεκάνης, δένοντας τον οδηγό που σας παρέχεται στον κρουνό (βλέπε εικόνα). Το ελεύθερο άκρο του σωλήνα αδειάσματος δεν πρέπει να παραμένει βυθισμένο στο νερό.

! Δεν συνιστάται η χρήση προεκτάσεων σωλήνων. Αν απαιτείται, η προέκταση πρέπει να έχει την ίδια διάμετρο του αρχικού σωλήνα και να μην ξεπερνάει τα 150 cm.

Ηλεκτρική σύνδεση

Πριν εισάγετε το βύσμα στην ηλεκτρική πρίζα, βεβαιωθείτε ότι:

- η πρίζα διαθέτει γείωση και τηρεί τις εκ του νόμου προδιαγραφές.
- Η πρίζα να είναι σε θέση να υποφέρει το μέγιστο φορτίο ισχύος της μηχανής, που αναφέρεται στον πίνακα Τεχνικών στοιχείων (βλέπε δίπλα).
- Η τάση τροφοδοσίας να κυμαίνεται μεταξύ των τιμών που αναφέρονται στον πίνακα Τεχνικών στοιχείων (βλέπε δίπλα).
- Η πρίζα να είναι συμβατή με το βύσμα του πλυντηρίου. Σε αντίθετη περίπτωση, αντικαταστήστε την πρίζα ή το βύσμα.

! Το πλυντήριο δεν εγκαθίσταται σε ανοιχτό χώρο, ακόμη και αν ο χώρος είναι καλυμμένος, διότι είναι πολύ επικίνδυνο να το αφήνετε εκτεθειμένο σε βροχή και κακοκαιρία.

! Με την εγκατάσταση του πλυντηρίου, η πρίζα ρεύματος πρέπει να είναι εύκολα προσβάσιμη.

! Μη χρησιμοποιείτε προεκτάσεις και πολύπριζα.

! Το καλώδιο δεν πρέπει να φέρει πτυχές ή να είναι συμπιεσμένο.

! Το καλώδιο τροφοδοσίας πρέπει να αντικαθίσταται μόνο από εξουσιοδοτημένους τεχνικούς.

Προσοχή! Η επιχείρηση αποποιείται κάθε ευθύνης σε περίπτωση που δεν τηρούνται αυτοί οι κανόνες.

Πρώτος κύκλος πλυσίματος

Μετά την εγκατάσταση, πριν τη χρήση, διενεργήστε ένα κύκλο πλυσίματος με απορρυπαντικό και χωρίς ρούχα θέτοντας το πρόγραμμα 1.

Τεχνικά στοιχεία

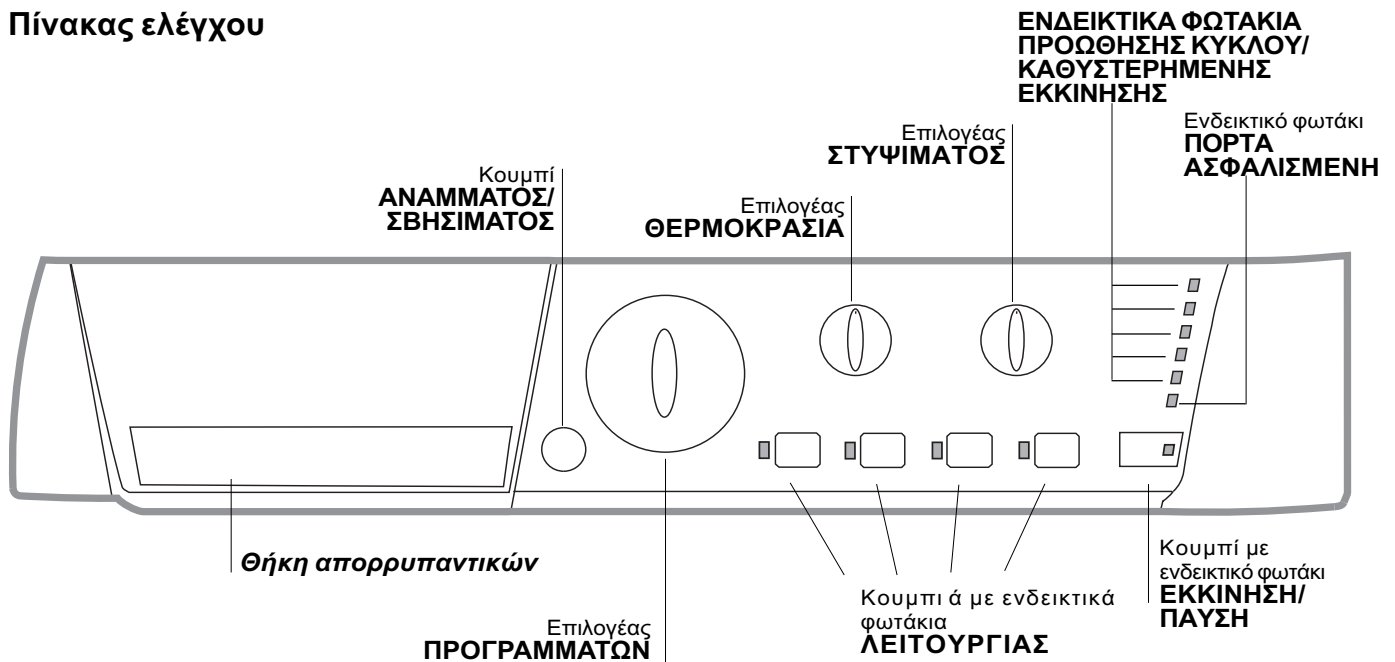
Μοντέλο	ARXXL 105
Διαστάσεις	πλάτος cm 59,5 ύψος cm 85 βάθος cm 56,5
Χωρητικότητα	από 1 έως 7 kg
Ηλεκτρικές συνδέσεις	Βλέπε την πινακίδα χαρακτηριστικών επί της μηχανής
Συνδέσεις νερού	μέγιστη πίεση 1 MPa (10 bar) Ελάχιστη πίεση 0,05 MPa (0,5 bar) χωρητικότητα του κάδου 52 λίτρα
Ταχύτητα στυψίματος	μέχρι 1000 στροφές το λεπτό
Προγράμματα ελέγχου σύμφωνα με τον κανονισμό EN 60456	πρόγραμμα 6; θερμοκρασία 60°C; εκτελούμενο με 7 kg μπουγάδας.



Η συσκευή αυτή είναι σύμφωνη με τις ακόλουθες οιντοτικές Οδηγίες:
- 73/23/CEE της 19/02/73 (Χαμηλή Τάση) και μεταγενέστερες τροποποιήσεις
- 89/336/CEE της 03/05/89 (Ηλεκτρομαγνητική Συμβατότητα) και μεταγενέστερες τροποποιήσεις
- 2002/96/CE

Περιγραφή του πλυντηρίου και εκκίνηση ενός προγράμματος

Πίνακας ελέγχου



Θήκη απορρυπαντικών: για την προσθήκη απορρυπαντικών και πρόσθετων (βλέπε «Απορρυπαντικά και μπουγάδα»).

Στο εσωτερικό της θήκης απορρυπαντικών βρίσκεται το αναλόγιο, στο οποίο μπορείτε, ανά πάσα στιγμή, να συμβουλευτείτε ένα συνθετικό σχέδιο των προγραμμάτων.

Κουμπί ΑΝΑΜΜΑΤΟΣ/ΣΒΗΣΙΜΑΤΟΣ: Για να ανάψετε ή να σβήσετε το πλυντήριο.

Επιλογέας ΠΡΟΓΡΑΜΜΑΤΩΝ: για να θέσετε τα προγράμματα. Κατά τη διάρκεια του προγράμματος ο επιλογέας παραμένει ακίνητος.

Κουμπί με ενδεικτικά φωτάκια ΛΕΙΤΟΥΡΓΙΑΣ: για να επιλέξετε τις διαθέσιμες λειτουργίες. Το σχετικό με την επιλεγείσα λειτουργία ενδεικτικό φωτάκι θα παραμείνει αναμμένο.

Επιλογέας ΣΤΥΨΙΜΑΤΟΣ: για να θέσετε το στύψιμο ή να το αποκλείσετε (βλέπε «Εξατομικεύσεις»).

Επιλογέας ΘΕΡΜΟΚΡΑΣΙΑ: για να θέσετε τη θερμοκρασία ή το πλύσιμο σε κρύο νερό (βλέπε «Εξατομικεύσεις»).

ΕΝΔΕΙΚΤΙΚΑ ΦΩΤΑΚΙΑ ΠΡΟΩΘΗΣΗΣ ΚΥΚΛΟΥ/ΚΑΘΥΣΤΕΡΗΜΕΝΗΣ ΕΚΚΙΝΗΣΗΣ: για να ακολουθείτε την κατάσταση προόδου του προγράμματος πλύσιματος.

Το αναμμένο ενδεικτικό φωτάκι δείχνει την σε εξέλιξη φάση.

Αν τέθηκε η λειτουργία «Καθυστερημένη εκκίνηση», θα δείχνουν τον χρόνο που υπολείπεται για την έναρξη του προγράμματος (βλέπε σελίδα δίπλα).

Ενδεικτικό φωτάκι **ΠΟΡΤΑ ΑΣΦΑΛΙΣΜΕΝΗ:** για να καταλάβετε αν η πόρτα ανοίγει (βλέπε σελίδα δίπλα).

Κουμπί με ενδεικτικό φωτάκι ΕΚΚΙΝΗΣΗ/ΠΑΥΣΗ: για την εκκίνηση των προγραμμάτων ή την προσωρινή διακοπή τους.

ΣΗΜΕΙΩΣΗ: για να θέσετε σε παύση το σε εξέλιξη πλύσιμο, πιέστε το κουμπί αυτό, το σχετικό ενδεικτικό φωτάκι θα ανάψει με πορτοκαλί χρώμα ενώ εκείνο της σε εξέλιξης φάσης θα είναι συνεχώς αναμμένο. Αν το ενδεικτικό φωτάκι ΠΟΡΤΑ ΑΣΦΑΛΙΣΜΕΝΗ =ο σβήσει, μπορείτε να ανοίξετε την πόρτα.

Για να ξεκινήσει πάλι το πλύσιμο από το σημείο διακοπής, πατήστε εκ νέου το κουμπί αυτό.

Ενδεικτικά φωτάκια

Τα ενδεικτικά φωτάκια παρέχουν σημαντικές πληροφορίες.

Να τι μας λένε:

Καθυστερημένη εκκίνηση

Αν ενεργοποιήθηκε η λειτουργία “Καθυστερημένη εκκίνηση” (βλέπε “Εξατομικεύσεις”), αφού εκκινήσετε το πρόγραμμα, θα αρχίσει να αναβοσβήνει το ενδεικτικό φωτάκι το σχετικό με την επιλεγμένη καθυστέρηση:



Με το πέρασμα του χρόνου θα απεικονίζεται η υπολειπόμενη καθυστέρηση, με το σχετικό ενδεικτικό φωτάκι να αναβοσβήνει.



Αφού διανυθεί η επιλεγείσα καθυστέρηση το ενδεικτικό φωτάκι που αναβοσβήνει θα σβήσει και θα αρχίσει το τεθέν πρόγραμμα.

Εκκίνηση ενός προγράμματος

1. Ανάψτε το πλυντήριο πιέζοντας το κουμπί ANAMMA/ΣΒΗΣΙΜΟ. Όλα τα ενδεικτικά φωτάκια θα ανάψουν μερικά δευτερόλεπτα, μετά θα σβήσουν και θα πάλλεται το ενδεικτικό φωτάκι ΕΚΚΙΝΗΣΗ/ΠΑΥΣΗ.
2. Φορτώστε τη μπουγάδα και κλείστε την πόρτα.
3. Θέστε με τον επιλογέα ΠΡΟΓΡΑΜΜΑΤΩΝ το επιθυμητό πρόγραμμα.
4. Θέστε τη θερμοκρασία πλυσίματος (βλέπε «Εξατομικεύσεις»).
5. Θέστε την ταχύτητα στύψιματος (βλέπε «Εξατομικεύσεις»).
6. Χύστε απορρυπαντικό και πρόσθετα (βλέπε «Απορρυπαντικά και μπουγάδα»).
7. Επιλέξτε τις διαθέσιμες λειτουργίες.
8. Εκκινήστε το πρόγραμμα πιέζοντας το κουμπί ΕΚΚΙΝΗΣΗ/ΠΑΥΣΗ και το σχετικό ενδεικτικό φωτάκι θα παραμείνει αναμμένο συνεχώς με πράσινο χρώμα.
Για να ακυρώσετε τον τεθέντα κύκλο θέστε τη μηχανή σε παύση πιέζοντας το κουμπί ΕΚΚΙΝΗΣΗ/ΠΑΥΣΗ και επιλέξτε ένα νέο κύκλο.
9. Στο τέλος του προγράμματος θα φωτιστεί το ενδεικτικό φωτάκι END. Το ενδεικτικό φωτάκι ΠΟΡΤΑ ΑΣΦΑΛΙΣΜΕΝΗ θα σβήσει δείχνοντας ότι η πόρτα μπορεί να ανοίξει. Βγάλτε τη μπουγάδα και αφήστε την πόρτα μισόκλειστη για να στεγνώσει ο κάδος.
Σβήστε το πλυντήριο πιέζοντας το κουμπί ANAMMA/ΣΒΗΣΙΜΟ.

Ενδεικτικά φωτάκι φάσης σε εξέλιξη

Κατά τον επιθυμητό κύκλο πλυσίματος, τα ενδεικτικά φωτάκια θα ανάψουν προοδευτικά για να δείξουν την κατάσταση προώθησης:



Κουμπιά λειτουργίας και σχετικά ενδεικτικά φωτάκια

Επιλέγοντας μια λειτουργία το σχετικό ενδεικτικό φωτάκι θα φωτιστεί.

Αν η επιλεγμένη λειτουργία δεν είναι συμβατή με το τεθέν πρόγραμμα το σχετικό ενδεικτικό φωτάκι θα αναβοσβήνει και η λειτουργία δεν θα ενεργοποιηθεί. Στην περίπτωση που τεθεί μια λειτουργία μη συμβατή με μια άλλη που επιλέχθηκε προηγουμένως θα παραμείνει ενεργή μόνο η τελευταία επιλογή.

☞ Ενδεικτικό φωτάκι ασφαλισμένης πόρτας

Το αναμμένο ενδεικτικό φωτάκι δείχνει ότι η πόρτα είναι ασφαλισμένη για την παρεμπόδιση τυχαίων ανοιγμάτων. Για την αποφυγή ζημιών πρέπει να περιμένετε να σβήσει το ενδεικτικό φωτάκι πριν το άνοιγμα της πόρτας.

ΣΗΜΕΙΩΣΗ: αν είναι ενεργή η λειτουργία “Καθυστερημένη εκκίνηση” η πόρτα δεν μπορεί να ανοίξει, για να την ανοίξετε θέστε τη μηχανή σε παύση πιέζοντας το κουμπί ΕΚΚΙΝΗΣΗ/ΠΑΥΣΗ.

! Το ταχύ αναβοσβήσιμο του φωτός ΕΚΚΙΝΗΣΗ/ΠΑΥΣΗ (πορτοκαλί) ταυτόχρονα με εκείνο των λειτουργιών επισημαίνει μια ανωμαλία (βλέπε “Ανωμαλίες και λύσεις”).

Προγράμματα

Πίνακας των Προγραμμάτων

Προγράμματα	Περιγραφή του Προγράμματος	Μέγιστη θερμοκρασία (°C)	Μέγιστη ταχύτητα (στροφές ανά λεπτό)	Απορρυπαντικά			Μέγιστο φορτίο (Kg)	Διάρκεια κύκλου
				Λευκαντικό	Πλύσιμο	Μαλακτικό		
Ειδικά Προγράμματα								
6	ΚΥΚΛΟΣ ΑΠΟΣΤΕΙΡΩΣΗΣ: Λευκά εξαιρετικά λερωμένα.	90°	1000	●	●	●	7	165
6	ΚΥΚΛΟΣ ΑΠΟΣΤΕΙΡΩΣΗΣ (1): Λευκά και χρωματιστά ανθεκτικά, πολύ λερωμένα.	60°	1000	-	●	●	7	175
7	ΑΛΗΝΥΧΤΑ: Χρωματιστά ευαίσθητα λίγο λερωμένα.	40°	800	-	●	●	4	290
8	ΠΑΥΣΗ ΓΙΑ ΜΩΡΑ: Χρωματιστά ευαίσθητα λίγο λερωμένα.	40°	800	-	●	●	2	118
9	ΠΟΙΚΑΜΙΣΑ	40°	600	-	●	●	2	70
10	ΜΕΤΑΞΩΤΑ/ ΟΥΡΤ'ΙΝΕΣ: Για μεταξωτά ρούχα, βισκόζη, λινά.	30°	0	-	●	●	2	55
11	Μ'ΑΛΛΙΝΑ: Για μάλλινα, cachemire, κλπ.	40°	600	-	●	●	1,5	55
Προγράμματα για όλες τις μέρες								
1	ΒΑΜΒΑΚΕΡ'Α: Λευκά και χρωματιστά ανθεκτικά, πολύ λερωμένα.	60°	1000	●	●	●	7	130
1	ΒΑΜΒΑΚΕΡ'Α (2): Λευκά και χρωματιστά ευαίσθητα, πολύ λερωμένα.	40°	1000	●	●	●	7	115
2	ΒΑΜΒΑΚΕΡ'Α ΧΡΩΜΑΤΙΣΤ'Α (3): Λευκά λίγο λερωμένα και ευαίσθητα χρώματα.	40°	1000	●	●	●	7	85
3	ΣΥΝΘΕΤΙΚΑ: Χρωματιστά ανθεκτικά, πολύ λερωμένα.	60°	800	-	●	●	3	85
3	ΣΥΝΘΕΤΙΚΑ 40°: Χρωματιστά ανθεκτικά, λίγο λερωμένα.	40°	800	-	●	●	3	70
4	ΦΡΕΣΚΑΡΙΣΜΑ 30': Για το γρήγορο φρεσκάρισμα ρούχων ελαφρά λερωμένων (δεν ενδείκνυται για μάλλινα, μεταξωτά και ρούχα που πλένονται στο χέρι).	30°	800	-	●	●	3	30
5	ΦΡΕΣΚΑΡΙΣΜΑ 15': Για το γρήγορο φρεσκάρισμα ρούχων ελαφρά λερωμένων (δεν ενδείκνυται για μάλλινα, μεταξωτά και ρούχα που πλένονται στο χέρι).	30°	800	-	●	●	1,5	15
Επί μέρους προγράμματα								
A	ΞΕΒΓΑΛΜΑ ΒΑΜΒΑΚΕΡΑ	-	1000	-	-	●	7	44
B	ΞΕΒΓΑΛΜΑ ΕΥΑΙΣΘΗΤΑ	-	800	-	-	●	3	37
C	ΣΤΥΨΙΜΟ ΑΝΘΕΚΤΙΚΑ	-	1000	-	-	-	7	16
D	ΣΕΥΨΙΜΟ ΕΥΑΙΣΘΗΤΑ	-	800	-	-	-	3	12
E	ΑΜΟΧΕΤΕΥΣΗ ΝΕΡΟΥ	-	0	-	-	-	7	2

Τα στοιχεία που αναφέρονται στον πίνακα είναι ενδεικτικά.

Για όλα τα Test Institutes:

- 1) Πρόγραμμα ελέγχου σύμφωνα με την προδιαγραφή EN 60456: θέστε το πρόγραμμα 6 σε μια θερμοκρασία 60°C.
- 2) Πρόγραμμα βαμβακερών μακρύ: θέστε το πρόγραμμα 1 σε μια θερμοκρασία 40°C.
- 3) Πρόγραμμα βαμβακερών σύντομο: θέστε το πρόγραμμα 2 σε μια θερμοκρασία 40°C.

Ειδικά προγράμματα

ΚΥΚΛΟΣ ΑΠΟΣΤΕΙΡΩΣΗΣ (πρόγραμμα 6). Ένα εξυγιαντικό πρόγραμμα σε υψηλές θερμοκρασίες που προβλέπει τη χρήση λευκαντικού σε θερμοκρασίες ανώτερες των 60°C. Για τη λεύκανση χύστε το λευκαντικό, τα απορρυπαντικά και τα πρόσθετα στα σχετικά διαμερίσματα (βλέπε παράγραφο "Συρτάρι των απορρυπαντικών").

ΑΛΗΝΥΧΤΑ (πρόγραμμα 7). Είναι ένας αθόρυβος κύκλος που μπορεί να δουλεύει τη νύχτα όταν το τιμολόγιο του ηλεκτρικού είναι μειωμένο. Το πρόγραμμα μελετήθηκε για συνθετικά και βαμβακερά τούχα. Στο τέλος του κύκλου η μηχανή σταματάει με το νερό στη λεκάνη. Για το στύψιμο και το άδειασμα πιέστε το κουμπί ΕΚΚΙΝΗΣΗ/ΠΑΥΣΗ, διαφορετικά μετά από 8 ώρες η μηχανή θα κάνει αυτόματα το στύψιμο και το άδειασμα του νερού.

ΠΑΥΣΗ ΓΙΑ ΜΩΡΑ ΦΡΕΣΚΑΡΙΣΜΑ (πρόγραμμα 8). Πρόγραμμα ικανό να απομακρύνει τους λεκέδες τυπικούς των μωρών, διασφαλίζοντας την απομάκρυνση του απορρυπαντικού από τα ρούχα για την αποφυγή αλλεργιών στο ευαίσθητο δέρμα των μωρών. Ο κύκλος μελετήθηκε για να μειώνει το βακτηριδιακό φορτίο χρησιμοποιώντας μικρότερη ποσότητα νερού και βελτιστοποιώντας την επίδραση των ειδικών εξυγιαντικών πρόσθετων στο απορρυπαντικό. Στο τέλος του πλυσίματος η μηχανή διενεργεί αργές περιστροφές του κάδου για την αποφυγή δημιουργίας πτυχώσεων. Για να τελειώσει ο κύκλος πιέστε το κουμπί ΕΚΚΙΝΗΣΗ/ΠΑΥΣΗ.

ΦΡΕΣΚΑΡΙΣΜΑ 30' (πρόγραμμα 4) μελετήθηκε για το πλύσιμο ρούχων ελαφρά λερωμένων σε σύντομο χρόνο: διαρκεί μόνο 30 λεπτά και σας εξοικονομεί χρόνο και ενέργεια. Θέτοντας το πρόγραμμα (4 σε 30°C) μπορείτε να πλύνετε μαζί υφάσματα διαφορετικής φύσης (εκτός μάλλινων και μεταξωτών) με ένα μέγιστο φορτίο 3 kg.

ΦΡΕΣΚΑΡΙΣΜΑ 15' (πρόγραμμα 5) μελετήθηκε για το πλύσιμο ρούχων ελαφρά λερωμένων σε σύντομο χρόνο: διαρκεί μόνο 15 λεπτά και σας εξοικονομεί χρόνο και ενέργεια. Θέτοντας το πρόγραμμα (5 σε 30°C) μπορείτε να πλύνετε μαζί υφάσματα διαφορετικής φύσης (εκτός μάλλινων και μεταξωτών) με ένα μέγιστο φορτίο 1,5 kg.

Θέστε τη θερμοκρασία

Στρέφοντας τον επιλογέα ΘΕΡΜΟΚΡΑΣΙΑ τίθεται η θερμοκρασία πλυσίματος (βλέπε *Πίνακα προγραμμάτων*). Η θερμοκρασία μπορεί να μειωθεί μέχρι το πλύσιμο σε κρύο νερό (❄).

Το μηχάνημα θα παρεμποδίσει αυτόματα τη θέση θερμοκρασίας μεγαλύτερης της μέγιστης προβλεπόμενης για κάθε πρόγραμμα.

Θέστε το στύψιμο

Στρέφοντας τον επιλογέα ΣΤΥΨΙΜΟ τίθεται η ταχύτητα στυψίματος του επιλεγμένου προγράμματος.

Οι μέγιστες προβλεπόμενες ταχύτητες για τα προγράμματα είναι:

Προγράμματα	Μέγιστη ταχύτητα
Βαμβακερά	1000 στροφές ανά λεπτό
Συνθετικά	800 στροφές ανά λεπτό
Μάλλινα	600 στροφές ανά λεπτό
Μεταξωτά	μόνο άδειασμα

Η ταχύτητα στυψίματος μπορεί να ελαττωθεί ή να αποκλειστεί επιλέγοντας το σύμβολο ⌘.

Το μηχάνημα θα παρεμποδίσει αυτόματα τη διενέργεια στυψίματος μεγαλύτερου του μέγιστου προβλεπόμενου για κάθε πρόγραμμα.

Λειτουργίες

Οι διάφορες λειτουργίες πλυσίματος που προβλέπονται από το πλυντήριο επιτρέπουν την επίτευξη του καθαρισμού και του λευκού που επιθυμείτε.

Για την ενεργοποίηση των λειτουργιών:

1. Πιέστε το πλήκτρο το σχετικό με την επιλεγμένη λειτουργία.
2. Το άναμμα του ενδεικτικού φωτός επισημαίνει ότι η λειτουργία είναι ενεργή.

Παρατήρηση: Το γρήγορο αναβοσβήσιμο του ενδεικτικού φωτός δείχνει ότι η σχετική λειτουργία δεν μπορεί να επιλεγεί για το τεθέν πρόγραμμα.

Καθυστερημένη εκκίνηση

Καθυστερεί την εκκίνηση του μηχανήματος μέχρι 24 ώρες.

Πιέστε πολλές φορές το πλήκτρο μέχρι να ανάψει το ενδεικτικό φωτάκι το σχετικό με την επιθυμητή καθυστέρηση. Στην πέμπτη φορά που θα πιέσετε το κουμπί η λειτουργία θα απενεργοποιηθεί.

ΣΗΜΕΙΩΣΗ: Αφού πατηθεί το πλήκτρο ΕΚΚΙΝΗΣΗ/ΠΑΥΣΗ, μπορείτε να αλλάξετε την τιμή καθυστέρησης μόνο μειώνοντάς την.

! Είναι ενεργό με όλα τα προγράμματα.

Εύκολο σιδέρωμα

Επιλέγοντας τη λειτουργία αυτή, το πλύσιμο και το στύψιμο θα τροποποιηθούν κατάλληλα για τη μείωση σχηματισμού σαλακωμάτων. Στο τέλος του κύκλου πλύσης θα γίνουν αργές περιστροφές του κάδου. Το ενδεικτικό φωτάκι της λειτουργίας ΕΥΚΟΛΟ ΣΙΔΕΡΩΜΑ και της ΕΚΚΙΝΗΣΗ/ΠΑΥΣΗ θα αναβοσβήνουν (πορτοκαλί) και η φάση ΞΕΒΓΑΛΜΑΤΟΣ θα παραμείνει συνεχώς αναμμένη. Για το πέρας του κύκλου πατήστε το κουμπί ΕΚΚΙΝΗΣΗ/ΠΑΥΣΗ ή το κουμπί ΕΥΚΟΛΟ ΣΙΔΕΡΩΜΑ.

Στο πρόγραμμα Μεταξωτά η μηχανή θα τελειώσει τον κύκλο με την μπουγάδα σε μούλιασμα και το ενδεικτικό φωτάκι ΕΥΚΟΛΟ ΣΙΔΕΡΩΜΑ θα αναβοσβήνει. Για να αδειάσετε το νερό και να μπορείτε να βγάλετε την μπουγάδα πρέπει να πατήσετε το κουμπί ΕΚΚΙΝΗΣΗ/ΠΑΥΣΗ ή το κουμπί ΕΥΚΟΛΟ ΣΙΔΕΡΩΜΑ.

! Δεν είναι ενεργό στα προγράμματα 4, 5, 6, 7, 8, 11, C, D, E.

Έξτρα Ξέβγαλμα

Επιλέγοντας τη δυνατότητα αυτή αυξάνεται η αποτελεσματικότητα του ξεβγάλματος και εξασφαλίζεται η μέγιστη απομάκρυνση του απορρυπαντικού. Είναι χρήσιμο για επιδερμίδες ιδιαίτερα ευαίσθητες.

! Δεν είναι ενεργό στα προγράμματα 4, 5, C, D, E.

Super Wash

Χάρη στη χρήση μεγαλύτερης ποσότητας νερού στην αρχική φάση του κύκλου και στη χρήση περισσότερου χρόνου, η δυνατότητα αυτή εξασφαλίζει ένα πλύσιμο υψηλών επιδόσεων.

! Δεν είναι ενεργό στα προγράμματα 4, 5, 6, 10, 11, A, B, C, D, E.

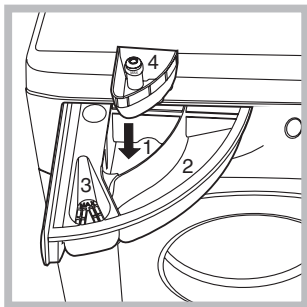
Απορρυπαντικά και μπουγάδα

GR

Θήκη απορρυπαντικών

Το καλό αποτέλεσμα του πλυσίματος εξαρτάται επίσης και από τη σωστή δοσολογία του απορρυπαντικού: υπερβάλλοντας δεν πλένουμε αποτελεσματικότερα και συντελούμε στη δημιουργία κρούστας στα εσωτερικά μέρη του πλυντηρίου και στη μόλυνση του περιβάλλοντος.

! Μην χρησιμοποιείτε απορρυπαντικά για πλύσιμο στο χέρι, διότι παράγουν πολύ αφρό.



Βγάλτε τη θήκη απορρυπαντικών και εισάγετε το απορρυπαντικό ή το πρόσθετο ως εξής.

θήκη 1: Απορρυπαντικό για πρόπλυση (σε σκόνη)

Πριν χύσετε το απορρυπαντικό ελέγξτε αν έχει εισαχθεί η πρόσθετη λεκανίτσα 4.

θήκη 2: Απορρυπαντικό για πλύσιμο (σε σκόνη ή υγρό)

Το υγρό απορρυπαντικό χύνεται μόνο πριν την εκκίνηση.

θήκη 3: Πρόσθετα (μαλακτικό, κλπ.)

Το μαλακτικό δεν πρέπει να διαφεύγει από το πλέγμα.

θήκη πρόσθετη 4: Λευκαντικό

Κύκλος λεύκανσης

Η λεύκανση μπορεί να διενεργηθεί μόνο με τα προγράμματα **1**, **2**, **6**.

Χύστε το λευκαντικό στην πρόσθετη λεκανίτσα **4**, το απορρυπαντικό και το μαλακτικό στις σχετικές λεκανίτσες, κατόπιν θέστε ένα από τα προαναφερθέντα προγράμματα.

Ενδείκνυται μόνο για ρούχα βαμβακερά πολύ λερωμένα.

Προετοιμασία της μπουγάδας

- Χωρίστε τη μπουγάδα ανάλογα:
 - με το είδος του υφάσματος/ το σύμβολο της ετικέτας.
 - τα χρώματα: χωρίστε τα χρωματιστά ρούχα από τα λευκά.
- Εκκενώστε τις τσέπες και ελέγξτε τα κουμπιά.
- Μην ξεπερνάτε τις υποδεικνυόμενες τιμές, σε σχέση με το βάρος της στεγνής μπουγάδας:
 - Ανθεκτικά υφάσματα: max 7 kg
 - Συνθετικά υφάσματα: max 3 kg
 - Ευαίσθητα υφάσματα: max 2 kg
 - Μάλλινα: max 1,5 kg

Πόσο ζυγίζει η μπουγάδα;

- 1 σεντόνι 400-500 gr.
- 1 μαξιλαροθήκη 150-200 gr.
- 1 τραπεζομάντιλο 400-500 gr.
- 1 μπουρνούζι 900-1.200 gr.
- 1 πετσέτα 150-250 gr.


Ειδικά ρούχα

Ποικαμισα: χρησιμοποιήστε το αντίστοιχο πρόγραμμα **9** για να πλύνετε πουκάμισα διαφόρων ειδών υφάσματος και χρώματος.

Εξασφαλίζει τη μέγιστη φροντίδα ελαχιστοποιώντας το σχηματισμό τσαλακωμάτων.

Μεταξωτά: χρησιμοποιήστε το αντίστοιχο πρόγραμμα **10** για να πλύνετε όλα τα μεταξωτά ρούχα. Συνιστάται η χρήση ενός ειδικού απορρυπαντικού για ευαίσθητα ρούχα.

Κουρτίνες: προτείνεται να τις διπλώνετε και να τις βάζετε στο παρεχόμενο σακίδιο. Χρησιμοποιήστε το πρόγραμμα **10**.

Μάλλινα: Το Hotpoint/Ariston είναι το μοναδικό πλυντήριο που κατέκτησε τη σημαντική αναγνώριση Woolmark Platinum Care (M.0508) εκ μέρους της The Woolmark Company, που πιστοποιεί το πλύσιμο στο πλυντήριο όλων των μάλλινων ρούχων καθώς και εκείνων που φέρουν την ετικέτα "μόνο πλύσιμο στο χέρι" . Με το πρόγραμμα **11** έχετε συνεπώς απόλυτη βεβαιότητα να πλένετε στο πλυντήριο όλα τα μάλλινα ρούχα (max. 1,5 kg) με την εγγύηση των καλύτερων επιδόσεων.

Σύστημα ισοστάθμισης του φορτίου

Πριν από κάθε στύψιμο, για να αποφύγετε δονήσεις υπερβολικές και για να καταλείψετε ομοιόμορφα το φορτίο, ο κάδος διενεργεί περιστροφές σε μια ταχύτητα ελαφρά ανώτερη εκείνης του πλυσίματος. Αν στο τέλος των διαδοχικών προσπαθειών το φορτίο δεν έχει ακόμη εξισορροπηθεί σωστά η μηχανή διενεργεί το στύψιμο σε μια ταχύτητα χαμηλότερη της προβλεπόμενης. Παρουσία υπερβολικής αστάθειας, το πλυντήριο διενεργεί την κατανομή αντί του στυψίματος. Για να ευνοηθεί καλύτερη κατανομή του φορτίου και της σωστής εξισορρόπησης συνιστάται η ανάμιξη ρούχων μεγάλων και μικρών διαστάσεων.

! Το πλυντήριο σχεδιάστηκε και κατασκευάστηκε σύμφωνα με τους διεθνείς κανόνες ασφαλείας. Αυτές οι προειδοποιήσεις παρέχονται για λόγους ασφαλείας και πρέπει να διαβάζονται προσεκτικά.

Γενική ασφάλεια

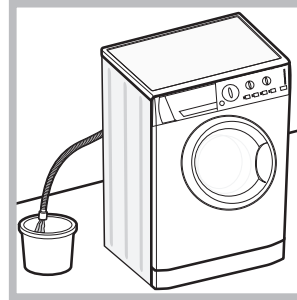
- Η συσκευή αυτή σχεδιάστηκε αποκλειστικά για οικιακή χρήση.
- Το πλυντήριο πρέπει να χρησιμοποιείται μόνο από ενήλικα άτομα και σύμφωνα με τις οδηγίες που αναφέρονται στο παρόν εγχειρίδιο.
- Μην αγγίζετε το μηχάνημα με γυμνά πόδια ή με τα χέρια ή τα πόδια βρεγμένα.
- Μην βγάζετε το βύσμα από την ηλεκτρική πρίζα τραβώντας το καλώδιο, αλλά να πιάνετε την πρίζα.
- Μην ανοίγετε το συρταράκι απορρυπαντικών ενώ το μηχάνημα είναι σε λειτουργία.
- Μην αγγίζετε το νερό αδειάσματος, αφού μπορεί να φτάσει σε υψηλές θερμοκρασίες.
- Μην ζορίζετε σε καμία περίπτωση την πόρτα: θα μπορούσε να χαλάσει ο μηχανισμός ασφαλείας που προστατεύει από τυχαία ανοίγματα.
- Σε περίπτωση βλάβης, σε καμία περίπτωση να μην επεμβαίνετε στους εσωτερικούς μηχανισμούς προσπαθώντας να την επισκευάσετε.
- Να ελέγχετε πάντα τα παιδιά να μην πλησιάζουν στο μηχάνημα σε λειτουργία.
- Κατά το πλύσιμο η πόρτα τείνει να θερμαίνεται.
- Αν πρέπει να μετατοπιστεί, συνεργαστείτε δύο ή τρία άτομα με τη μέγιστη προσοχή. Ποτέ μόνοι σας γιατί το μηχάνημα είναι πολύ βαρύ.
- Πριν εισάγετε τη μπουγάδα ελέγξτε αν ο κάδος είναι άδειος.

Διάθεση

- Διάθεση του υλικού συσκευασίας: τηρείτε τους τοπικούς κανονισμούς, ώστε οι συσκευασίες να μπορούν να επαναχρησιμοποιηθούν.
- Η ευρωπαϊκή οδηγία 2002/96/ΕΚ για τα Απόβλητα Ηλεκτρικού και Ηλεκτρονικού Εξοπλισμού, απαιτεί ότι οι παλαιές οικιακές ηλεκτρικές συσκευές δεν πρέπει να αποβάλλονται μαζί με τα υπόλοιπα απόβλητα του δημοτικού δικτύου. Οι παλαιές συσκευές πρέπει να συλλεχθούν χωριστά προκειμένου να βελτιστοποιηθούν η αποκατάσταση και η ανακύκλωση των υλικών που περιέχουν και με σκοπό τη μείωση των βλαβερών επιπτώσεων στην ανθρώπινη υγεία και το περιβάλλον. Το σύμβολο με το διεγγραμμένο "δοχείο αποβλήτων" στο προϊόν υπενθυμίζει σε σας την υποχρέωσή σας, πως όταν επιθυμείτε να πετάξετε τη συσκευή, πρέπει να συλλεχθεί χωριστά.
Οι καταναλωτές θα πρέπει να απευθύνονται στις τοπικές αρχές ή στα καταστήματα λιανικής για πληροφορίες που αφορούν τη σωστή διάθεση των παλαιών ηλεκτρικών συσκευών.

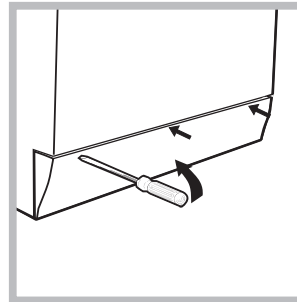
Χειρονακτικό άνοιγμα της πόρτας

Στην περίπτωση αδυναμίας ανοίγματος της πόρτας εξ αιτίας απουσίας ηλεκτρικής ενέργειας ενώ θέλετε να απλώσετε την μπουγάδα, προχωρήστε ως ακολούθως:

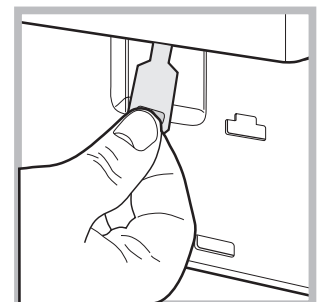
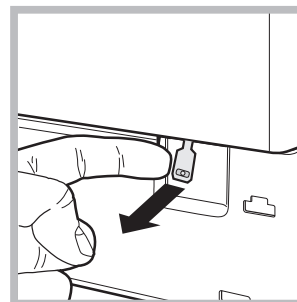


1. βγάλτε το βύσμα από την ηλεκτρική πρίζα.
2. βεβαιωθείτε ότι η στάθμη του νερού στο εσωτερικό της μηχανής είναι χαμηλότερη σε σχέση με το άνοιγμα της πόρτας. Σε αντίθετη περίπτωση αφαιρέστε το σε περίσσεια νερό μέσω του σωλήνα αδειάσματος

συλλέγοντάς το σε ένα κουβά όπως φαίνεται στην *εικόνα*.



3. αφαιρέστε το ταμπλό κάλυψης στο πρόσθιο πλευρό του πλυντηρίου με τη βοήθεια ενός κατσαβιδιού (*βλέπε εικόνα*).



4. χρησιμοποιώντας τη γλωσσίτσα που φαίνεται στην *εικόνα* τραβήξτε προς τα έξω μέχρι να ελευθερώσετε το πλαστικό από το στοπ. Τραβήξτε το ακολούθως προς τα κάτω και ταυτόχρονα ανοίξτε την πόρτα.

5. ξαναμοντάρετε το πάνελ όντας σίγουροι, πριν το σπρώξετε προς τη μηχανή, ότι έχετε εισάγει τα γαντζάκια στις αντίστοιχες εσοχές.

Συντήρηση και φροντίδα

GR

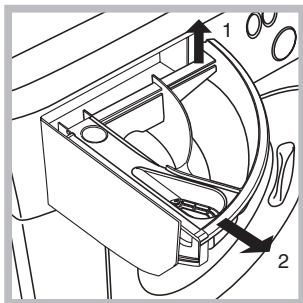
Αποκλεισμός νερού και ηλεκτρικού ρεύματος

- Κλείνετε τον κρουνό του νερού μετά από κάθε πλύσιμο. Έτσι περιορίζεται η φθορά της υδραυλικής εγκατάστασης του πλυντηρίου και αποσοβείται ο κίνδυνος απωλειών.
- Να βγάξετε το βύσμα από το ρεύμα όταν καθαρίζετε το μηχάνημα και κατά τις εργασίες συντήρησης.

Καθαρισμός του πλυντηρίου

Το εξωτερικό μέρος και τα λαστιχένια μέρη μπορούν να καθαρίζονται με ένα πανί βρεγμένο με χλιαρό νερό και σαπούνι. Μη χρησιμοποιείτε διαλύτες ή αποξυστικά.

Καθαρισμός του συρταριού απορρυπαντικών



Τραβήξτε το συρτάρι ανασηκώνοντάς το και τραβώντας το προς τα έξω (βλέπε εικόνα). Πλένετέ το κάτω από τρεχούμενο νερό. Ο καθαρισμός αυτός διενεργείται συχνά.

Φροντίδα της πόρτας και του κάδου

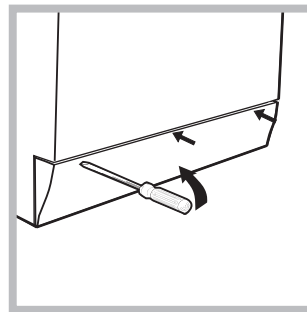
- Να αφήνετε πάντα μισόκλειστη την πόρτα για να μην παράγονται δυσοσμίες.

Καθαρισμός της αντλίας

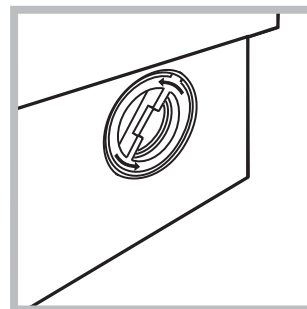
Το πλυντήριο διαθέτει μια αντλία αυτοκαθαριζόμενη που δεν χρειάζεται συντήρηση. Μπορεί, όμως, να τύχει να πέσουν μικρά αντικείμενα (κέρματα, κουμπιά) στον προθάλαμο που προστατεύει την αντλία, που βρίσκεται στο κάτω μέρος αυτής.

! Βεβαιωθείτε ότι ο κύκλος πλυσίματος έχει τελειώσει και βγάλτε το βύσμα.

Για να έχετε πρόσβαση στον προθάλαμο:



1. αφαιρέστε το ταμπλό κάλυψης στο πρόσθιο πλευρό του πλυντηρίου με τη βοήθεια ενός κατασαβιδιού (βλέπε εικόνα).



2. Ξεβιδώστε το καπάκι στρέφοντάς το αριστερόστροφα (βλέπε εικόνα): είναι φυσικό να βγαίνει λίγο νερό.

3. καθαρίστε επιμελώς το εσωτερικό.
4. ξαναβιδώστε το καπάκι.
5. ξαναμοντάρετε το πάνελ όντας σίγουροι, πριν το σπρώξετε προς τη μηχανή, ότι έχετε εισάγει τα γαντζάκια στις αντίστοιχες εσοχές.

Έλεγχος του σωλήνα τροφοδοσίας του νερού

Ελέγχετε το σωλήνα τροφοδοσίας τουλάχιστον μια φορά ετησίως. Αν παρουσιάζει σκασίματα και σχισμές αντικαθίσταται: κατά τα πλυσίματα οι ισχυρές πιέσεις θα μπορούσαν να προκαλέσουν αναπάντεχα σπασίματα.

! Μη χρησιμοποιείτε ποτέ χρησιμοποιημένους σωλήνες.

Μπορεί να συμβεί το πλυντήριο να μη λειτουργεί. Πριν τηλεφωνήσετε στην Υποστήριξη (βλέπε “Υποστήριξη”), ελέγξτε αν δεν πρόκειται για πρόβλημα που επιλύεται εύκολα με τη βοήθεια του ακόλουθου καταλόγου.

Ανωμαλίες:

Δυνατά αίτια / Λύση:

Το πλυντήριο δεν ανάβει.

- Το βύσμα δεν έχει εισαχθεί στην ηλεκτρική πρίζα ή τουλάχιστον όχι αρκετά για να κάνει επαφή.
- Στο σπίτι δεν υπάρχει ρεύμα.

Ο κύκλος πλυσίματος δεν ξεκινάει.

- Η πόρτα δεν κλείνει καλά.
- Το κουμπί ANAMMA/ΣΒΗΣΙΜΟ δεν πατήθηκε.
- Το κουμπί ΕΚΚΙΝΗΣΗ/ΠΑΥΣΗ δεν πατήθηκε.
- Η βρύση του νερού δεν είναι ανοιχτή.
- Τέθηκε μια καθυστέρηση στον χρόνο εκκίνησης (βλέπε «Εξατομικεύσεις»).

Το πλυντήριο δεν φορτώνει νερό (αναβοσβήνει γρήγορα το ενδεικτικό φωτάκι της πρώτης φάσης πλύσης).

- Ο σωλήνας τροφοδοσίας του νερού δεν είναι συνδεδεμένος στον κρουνό.
- Ο σωλήνας είναι διπλωμένος.
- Η βρύση του νερού δεν είναι ανοιχτή.
- Στο σπίτι λείπει το νερό.
- Δεν υπάρχει αρκετή πίεση.
- Το κουμπί ΕΚΚΙΝΗΣΗ/ΠΑΥΣΗ δεν πατήθηκε.

Το πλυντήριο φορτώνει και αδειάζει νερό συνεχώς.

- Ο σωλήνας αδειάσματος δεν έχει εγκατασταθεί μεταξύ 65 και 100 cm από το έδαφος (βλέπε «Εγκατάσταση»).
- Το άκρο του σωλήνα αδειάσματος είναι βυθισμένο στο νερό (βλέπε “Εγκατάσταση”).
- Το επιτοίχιο άδειασμα δεν έχει απαέρωση.

Αν μετά από αυτούς τους ελέγχους το πρόβλημα δεν λύνεται, κλείστε τη βρύση του νερού, σβήστε το πλυντήριο και καλέστε την υποστήριξη. Αν η κατοικία βρίσκεται στους τελευταίους ορόφους ενός κτιρίου, μπορεί να διαπιστωθούν φαινόμενα σιφωνισμού, οπότε το πλυντήριο φορτώνει και αδειάζει νερό συνεχώς. Για την αντιμετώπιση του προβλήματος διατίθενται στο εμπόριο κατάλληλες βαλβίδες αντι-σιφωνισμού.

Το πλυντήριο δεν φορτώνει ή δεν στύβει.

- Το πρόγραμμα δεν προβλέπει το άδειασμα: με ορισμένα προγράμματα πρέπει να το εκκινήσετε χειρονακτικά.
- Είναι ενεργή η λειτουργία ΕΥΚΟΛΟ ΣΙΔΕΡΩΜΑ: για την ολοκλήρωση του προγράμματος πιέστε το κουμπί ΕΚΚΙΝΗΣΗ/ΠΑΥΣΗ («Εξατομικεύσεις»).
- Ο σωλήνας αδειάσματος είναι διπλωμένος (βλέπε «Εγκατάσταση»).
- Ο αγωγός εκκένωσης είναι βουλωμένος.

Το πλυντήριο δονείται πολύ κατά το στύψιμο.

- Ο κάδος, τη στιγμή της εγκατάστασης, δεν ξεμπλόκαρε σωστά (βλέπε “Εγκατάσταση”).
- Το πλυντήριο δεν είναι οριζοντιωμένο (βλέπε “Εγκατάσταση”).
- Το πλυντήριο είναι πολύ στενά μεταξύ τοίχου και επίπλων (βλέπε “Εγκατάσταση”).

Το πλυντήριο χάνει νερό.

- Ο σωλήνας τροφοδοσίας του νερού δεν είναι καλά βιδωμένος (βλέπε “Εγκατάσταση”).
- Η θήκη των απορρυπαντικών είναι βουλωμένη (για να την καθαρίσετε βλέπε “Συντήρηση και φροντίδα”).
- Ο σωλήνας αδειάσματος δεν έχει στερεωθεί καλά (βλέπε «Εγκατάσταση»).

Το ενδεικτικό φωτάκι ΕΚΚΙΝΗΣΗ/ΠΑΥΣΗ (πορτοκαλί) και τα ενδεικτικά φωτάκια αναβοσβήνουν γρήγορα.

- Σβήστε τη μηχανή και βγάλτε το βύσμα από την πρίζα, περιμένετε περίπου 1 λεπτό μετά ξαναάψτε τη. Αν η ανωμαλία επιμένει, καλέστε την Υποστήριξη.

Σχηματίζεται πολύς αφρός.

- Το απορρυπαντικό δεν είναι ειδικό για πλυντήριο (πρέπει να υπάρχει η ένδειξη “για πλυντήριο”, “για πλύσιμο στο χέρι και στο πλυντήριο”, ή παρόμοια).
- Η δοσολογία υπήρξε υπερβολική.

Υποστήριξη

GR

Πριν επικοινωνήσετε με την Υποστήριξη:

- Ελέγξτε αν η ανωμαλία μπορείτε να την αντιμετωπίσετε μόνοι σας (βλέπε “Ανωμαλίες και λύσεις”);
- Επανεκκινήστε το πρόγραμμα για να ελέγξετε αν το πρόβλημα αντιμετωπίστηκε;
- Σε αρνητική περίπτωση, επικοινωνήστε με την εξουσιοδοτημένη Τεχνική Υποστήριξη στον τηλεφωνικό αριθμό που υπάρχει στο πιστοποιητικό εγγύησης.

! Μην καταφεύγετε ποτέ σε μη εξουσιοδοτημένους τεχνικούς.

Γνωστοποιήστε:

- το είδος της ανωμαλίας;
- το μοντέλο του μηχανήματος (Mod.);
- τον αριθμό σειράς (S/N).

Οι πληροφορίες αυτές βρίσκονται στην ταμπελίτσα που υπάρχει στο πίσω μέρος του πλυντηρίου και στο πρόσθιο μέρος ανοίγοντας την πόρτα.

RO

Română

ARXXL 105

Sumar

Instalare, 26-27

Despachetare și punere la nivel
Racorduri hidraulice și electrice
Primul ciclu de spălare
Date tehnice

Descrierea mașinii de spălat și activarea unui program, 28-29

Panoul de control
Indicatoare luminoase
Activarea unui program

Programe, 30

Tabel de programe

Personalizare, 31

Reglarea temperaturii
Reglarea centrifugării
Funcții

Detergenți și rufe albe, 32

Compartimentul pentru detergenți
Ciclu de albire
Pregătirea rufelor
Articole delicate
Sistemul de echilibrare a încărcăturii

Precauții și sfaturi, 33

Norme de protecție și siguranță generale
Aruncarea reziduurilor
Deschiderea manuală a ușii

Întreținere și curățare, 34

Înteruperea alimentării cu apă și curent electric
Curățarea mașinii de spălat
Curățarea compartimentului pentru detergent
Îngrijirea ușii și a tamburului
Curățarea pompei
Controlarea furtunului de alimentare cu apă

Anomalii și remedii, 35

Asistență, 36

 **Hotpoint**
ARISTON

RO

Instalare

RO

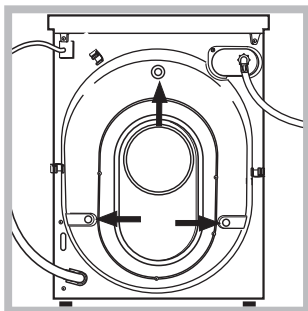
! Este important să păstrați acest manual pentru a-l putea consulta în orice moment. În caz de vânzare, de cesiune sau de schimbare a locuinței, acesta trebuie să rămână împreună cu mașina de spălat pentru a informa noul proprietar cu privire la funcționare și la respectivele avertismente.

! Citiți cu atenție instrucțiunile: veți găsi informații importante cu privire la instalare, la folosire și la siguranță.

Despachetare și punere la nivel

Despachetare

1. Scoaterea din ambalaj a mașinii de spălat.
2. Controlați ca mașina de spălat să nu fi fost deteriorată în timpul transportului. Dacă este deteriorată nu o conectați și luați legătura cu vânzătorul.



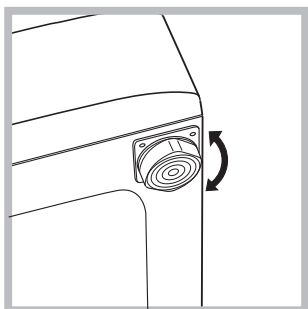
3. Scoateți cele 3 șuruburi de protecție pentru transport și cauciucul cu respectivul distanțier, situate în partea posterioară (a se vedea figura).

4. Închideți orificiile cu dopurile din plastic aflate în dotare.
5. Păstrați toate piesele: pentru cazul în care mașina de spălat va trebui să fie transportată, piesele vor trebui montate din nou.

! Ambalajele nu sunt jucării pentru copii!

Punere la nivel

1. Instalați mașina de spălat pe o suprafață plană și rigidă, fără a o sprijini de ziduri, mobilă sau altceva.

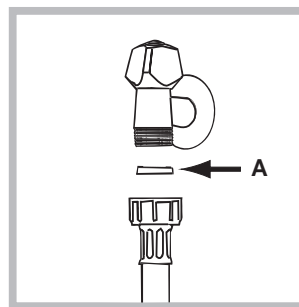


2. Dacă podeaua nu este perfect orizontală, compensați neregularitățile deșurubând sau înșurubând piciorușele anterioare (a se vedea figura); unghiul de înclinare, măsurat pe planul de lucru, nu trebuie să depășească 2°.

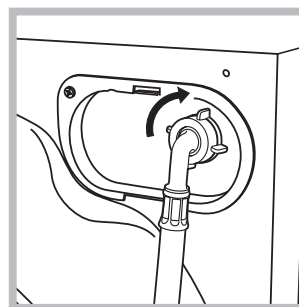
O nivelare precisă conferă stabilitate mașinii și evită vibrații, zgomote și deplasări pe timpul funcționării. În cazul mochetelor sau a unui covor, reglați piciorușele astfel încât să mențineți sub mașina de spălat un spațiu suficient pentru ventilare.

Racorduri hidraulice și electrice

Racordarea furtunului de alimentare cu apă



1. Introduceți garnitura A în extremitatea tubului de alimentare și înșurubați-l la un robinet de apă rece cu gura filetată (a se vedea figura). Înainte de conectare, lăsați apa să curgă până când nu a devine limpede.



2. Conectați tubul de alimentare la mașina de spălat, înșurubându-l la sursa de apă respectivă, amplasată în partea posterioară, sus în dreapta (a se vedea figura).

3. Fiți atenți ca furtunul să nu fie nici pliat nici îndoit.

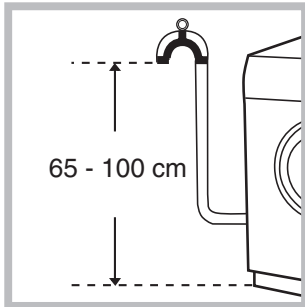
! Presiunea apei de la robinet trebuie să fie cuprinsă în valorile din tabelul Date tehnice (a se vedea pagina alăturată).

! Dacă lungimea furtunului de alimentare nu este suficientă, adresați-vă unui magazin specializat sau unui instalator autorizat.

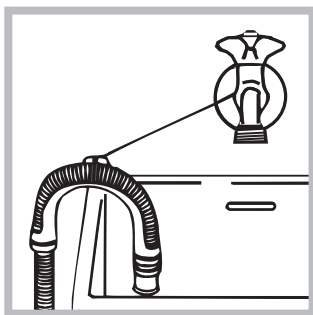
! Nu folosiți niciodată tuburi folosite deja.

! Utilizați tuburile furnizate împreună cu mașina.

Conectarea furtunului de golire



Conectați furtunul de golire - fără a-l îndoi - la canalizare sau la racordul de golire prevăzut pe perete, la o înălțime de 65 - 100 cm de sol;



Sprrijiniți-l de marginea căzii sau chiuvetei și racordați șina de ghidare din dotare la robinet (*a se vedea figura*). Capătul liber al furtunului de golire nu trebuie să rămână cufundat în apă.

! Nu se recomandă folosirea furtunurilor prelungitoare; dacă este indispensabil, acestea trebuie să aibă același diametru ca și furtunul original și nu trebuie să depășească 150 cm lungime.

Racordarea electrică

Înainte de a introduce stecherul în priză, asigurați-vă ca:

- priza să fie cu împământare și conform prevederilor legale;
- priza să poată suporta sarcina maximă de putere a mașinii, indicată în tabelul Date Tehnice (*a se vedea alături*);
- tensiunea de alimentare să fie cuprinsă în valorile indicate în tabelul Date Tehnice (*a se vedea alături*);
- priza să fie compatibilă cu stecherul mașinii de spălat. În caz contrar înlocuiți stecherul.

! Mașina de spălat nu trebuie instalată afară, nici chiar în cazul în care spațiul este adăpostit, deoarece este foarte periculoasă expunerea mașinii la ploaie și furtuni.

! După instalarea mașinii de spălat, priza de curent trebuie să fie ușor accesibilă.

! Nu folosiți prelungitoare și prize multiple.

! Cablul nu trebuie să fie îndoit sau comprimat.

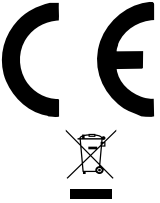
! Cablul de alimentare trebuie să fie înlocuit doar de tehnicieni autorizați ai centrului de service ce apare scris pe certificatul de garanție emis de producător.

Atenție! Producătorul își declină orice responsabilitate în cazul în care aceste norme nu se respectă.

Primul ciclu de spălare

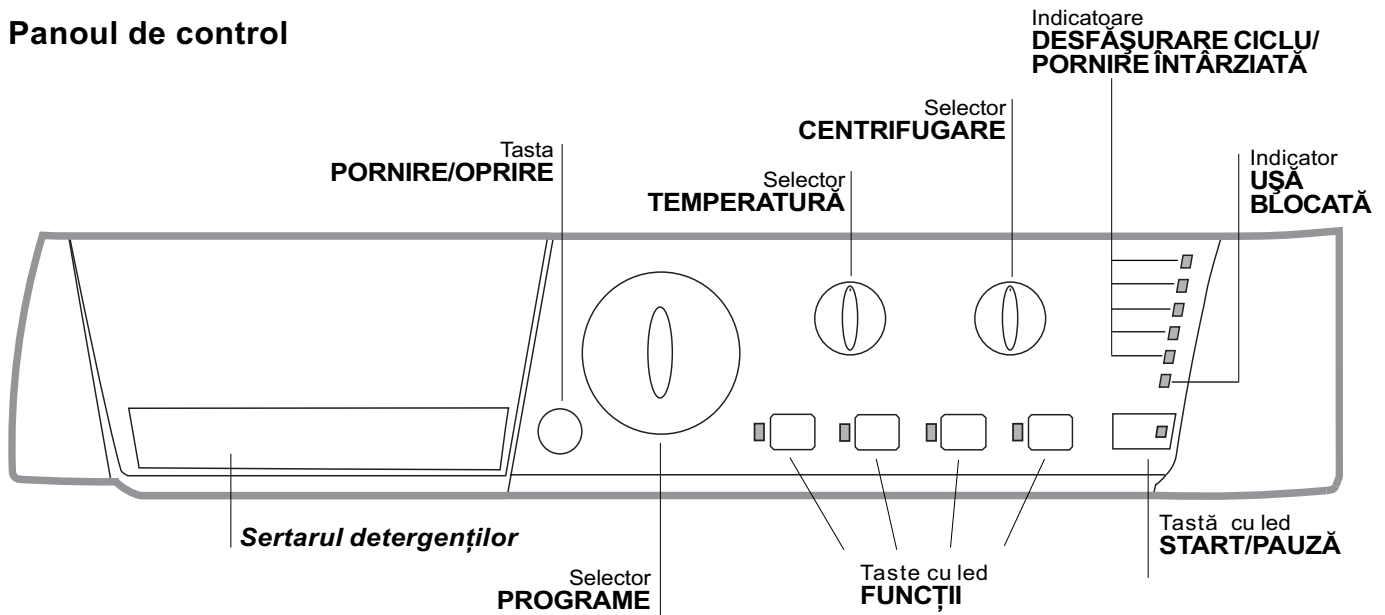
După instalare, înainte de folosire, efectuați un ciclu de spălare cu detergent și fără rufe, selectând programul 1.

Date tehnice

Model	ARXXL 105
Dimensiuni	lățime: 59,5 cm înălțime: 85 cm profundime: 56,5 cm
Capacitate	de la 1 la 7 kg
Legături electrice	vezi eticheta cu caracteristicile tehnice, aplicată pe mașină
Legături hidrice	presiune maximă: 1 MPa (10 bari) presiune minimă: 0,05 MPa (0,5 bari) capacitatea cuvei: 52 litri
Turația de centrifugare	până la 1000 de rotații pe minut
Programe de control în baza normei EN 60456	programul 6; temperatura 60°C; efectuată cu 7 kg de rufe.
	Acest aparat este conform cu următoarele Directive Comunitare: - 73/23/CEE din data de 19/02/73 (Tensiuni Joase) și modificări succesive - 89/336/CEE din data de 03/05/89 (Compatibilitate Electromagnetică) și modificări succesive - 2002/96/CE
Zgomot (dB(A) re 1 pW)	Spălare: 66 Turația de centrifugare: 76

Descrierea mașinii de spălat și activarea unui program

Panoul de control



Sertarul detergenților: pentru a introduce detergenți sau aditivi (*a se vedea "Detergenți și rufe albe"*).

În interiorul sertarului pentru detergenți este amplasat un suport pe care se află schema programelor.

Tasta PORNIRE/OPRIRE: pentru a porni și opri mașina.

Selector PROGRAME: pentru a selecta programele. Pe durata desfășurării programului selectorul rămâne în aceeași poziție.

Taste cu led FUNCȚII: pentru a selecta funcțiile disponibile. Indicatorul corespunzător funcției alese va rămâne aprins.

Selector CENTRIFUGARE: pentru a activa / anula centrifugarea (*a se vedea "Personalizare"*).

Selector TEMPERATURĂ: pentru a selecta temperatura sau spălarea la rece (*a se vedea "Personalizare"*).

Indicatoare DESFĂȘURARE CICLU/PORNIRE ÎNTĂRZIATĂ: pentru a putea urmări avansarea programului de spălare.

Indicatorul aprins arată faza în curs de desfășurare. Dacă a fost selectată funcția "Pornire întârziată", va fi indicat timpul care lipsește până la pornirea programului (*a se vedea pag. alăturată*).

Indicador UȘĂ BLOCATĂ: pentru a înțelege dacă ușa se poate deschide sau nu (*a se vedea pag. alăturată*).

Tastă cu led START/PAUZĂ: pentru a activa / opri momentan programele.

N.B.: pentru a întrerupe momentan un ciclu apăsați această tastă; ledul se va aprinde intermitent (culoare portocalie) în timp ce ledul corespunzător fazei în curs de desfășurare va rămâne aprins. Dacă indicatorul UȘĂ BLOCATĂ \rightarrow este stins, atunci ușa se poate deschide.

Pentru a continua spălarea, de unde a fost întreruptă, apăsați din nou tasta.

Indicatoare luminoase

Ledurile furnizează informații importante. Iată ce indică:

Pornire întârziată

Dacă a fost activată funcția "Pornire întârziată" (a se vedea "Personalizare"), după activarea programului, se va aprinde intermitent ledul corespunzător întârzierii selectate:



Cu trecerea timpului, se va vizualiza întârzierea restantă, prin aprinderea intermitentă a ledului respectiv.



La expirarea întârzierii selectate, indicatorul luminos se va stinge și programul selectat va intra în funcțiune.

Indicatoare de fază

După alegerea și activarea ciclului dorit, indicatoarele luminoase se vor aprinde unul după altul, ceea ce va indica starea de avansare a programului:



Tastele de funcții și ledurile corespunzătoare

Alegerea unei funcții implică aprinderea ledului corespunzător.

Dacă funcția selectată nu este compatibilă cu programul ales, ledul corespunzător se va aprinde intermitent iar funcția nu se va activa.

În cazul în care va fi selectată o funcție incompatibilă cu alta selectată anterior, se va activa doar ultima funcție aleasă.

Indicator ușă blocată:

Indicatorul luminos aprins indică faptul că ușa este blocată, ceea ce evită deschiderea accidentală; pentru a evita orice daună, este necesar să se aștepte stingerea ledului, înainte de a deschide ușa.

N.B.: dacă funcția "Pornire întârziată" este activă, ușa nu se poate deschide; pentru a o deschide, apăsați tasta START/PAUZĂ pentru a întrerupe momentan programarea.

! Aprinderea intermitentă rapidă a indicatorului START/PAUZĂ (culoare portocalie) concomitent cu un alt led indică apariția unei anomalii (a se vedea "Anomalii și remedii").

Activarea unui program

1. Porniți mașina de spălat apăsând pe tasta PORNIRE/OPRIRE. Toate indicatoarele se aprind câteva secunde, apoi se sting; indicatorul START/PAUZĂ se va aprinde intermitent.
 2. Introduceți rufe și închideți ușa.
 3. Selectați programul dorit cu ajutorul selectorului de PROGRAME.
 4. Reglați temperatura de spălare (a se vedea "Personalizare").
 5. Reglați viteza de centrifugare (a se vedea "Personalizare").
 6. Adăugați detergentul și aditivii (a se vedea "Detergenți și rufe").
 7. Alegeți funcțiile dorite.
 8. Activați programul apăsând tasta START/PAUZĂ; indicatorul luminos se va aprinde (culoare verde). Pentru a anula un ciclu selectat, apăsați tasta START/PAUZĂ pentru a întrerupe momentan ciclul și alegeți un nou program.
 9. La încheierea programului, indicatorul luminos END se va aprinde. Indicatorul UȘĂ BLOCATĂ se va stinge, ceea ce vă arată că ușa poate fi deschisă. Scoateți rufe și lăsați ușa întredeschisă pentru a se putea usca cuva și tamburul.
- Opriti mașina de spălat apăsând pe tasta PORNIRE/OPRIRE.

Programe

RO

Tabel de programe

Program	Descrierea Programului	Temp. max. (°C)	Viteza max. (rotații pe minut)	Detergenți			Sarcina Max. (Kg)	Durata ciclului de spălare
				Decolorant	Spălare	Balsam rufe		
Programe Speciale								
6	STERILIZARE: Rufe albe foarte murdare.	90°	1000	•	•	•	7	165
6	STERILIZARE (1): Albe și colorate rezistente foarte murdare.	60°	1000	-	•	•	7	175
7	CICLU DE SPĂLARE NOCTURNĂ: Colorate delicate puțin murdare.	40°	800	-	•	•	4	290
8	CICLU BABY: Colorate delicate foarte murdare.	40°	800	-	•	•	2	118
9	CĂMĂȘI	40°	600	-	•	•	2	70
10	MĂTASE /PERDELE: Pentru articolele din mătase, viscoză, lenjerie.	30°	0	-	•	•	2	55
11	LÂNĂ: Pentru articole din lână, cașmir.	40°	600	-	•	•	1,5	55
Programe zilnice								
1	RUFE ALBE BUMBAC: Albe și colorate rezistente foarte murdare.	60°	1000	•	•	•	7	130
1	RUFE ALBE BUMBAC (2): Albe și colorate delicate foarte murdare.	40°	1000	•	•	•	7	115
2	COLORATE BUMBAC (3): Albe puțin murdare și colorate delicate.	40°	1000	•	•	•	7	85
3	SINTETICE REZISTENTE: Colorate rezistente foarte murdare.	60°	800	-	•	•	3	85
3	SINTETICE DELICATE: Colorate rezistente puțin murdare.	40°	800	-	•	•	3	70
4	MIX 30': Pentru a spăla rapid articolele puțin murdare (nu este indicat pentru lână, mătase și articole de spălat cu mâna).	30°	800	-	•	•	3	30
5	MIX 15': Pentru a împrospăta rapid articolele puțin murdare (nu este indicat pentru lână, mătase și articole de spălat cu mâna).	30°	800	-	•	•	1,5	15
Programe parțiale								
A	CLĂTIRE	-	1000	-	-	•	7	44
B	CLĂTIRE DELICATĂ	-	800	-	-	•	3	37
C	CENTRIFUGARE	-	1000	-	-	-	7	16
D	CENTRIFUGARE UȘOARĂ	-	800	-	-	-	3	12
E	EVACUARE	-	0	-	-	-	7	2

Datele specificate în tabel au valoare indicativă.

Pentru toate Instituțiile de Testare:

1) Programul de control conform normei EN60456: selectați programul 6 și temperatura de 60°C.

2) Program pentru bumbac, prelungit: selectați programul 1 și temperatura de 40°C.

3) Program pentru bumbac, rapid: selectați programul 2 și temperatura de 40°C.

Programe speciale

STERILIZARE (programul 6). Un program de igienizare la temperatură ridicată, care presupune folosirea decolorantului (temperatura este peste 60°C). Pentru a decolora rufele, turnați decolorantul, detergentul și aditivii în sertarele corespunzătoare (a se vedea paragraful "Compartimentul pentru detergenți").

CICLU DE SPĂLARE NOCTURNĂ (programul 7). Este un ciclu cu zgomot redus, care vă permite folosirea mașinii pe timp de noapte. Programul a fost conceput pentru articolele sintetice și din bumbac. La încheierea ciclului, mașina se oprește cu apă în cuvă; pentru a storce rufele și a goli apa apăsați tasta START/PAUZĂ, dacă nu, după 8 ore mașina comandă automat stoarcerea și evacuarea apei.

CICLU BABY (programul 8). Programul îndepărtează eficient atât mizeria care pătează în mod obișnuit hainele copiilor cât și detergentul, în scopul de a evita apariția unor alergii pe pielea delicată a celor mici. Ciclu a fost conceput pentru a diminua încărcarea bacteriană prin folosirea unei cantități de apă mai mari și prin optimizarea aditivilor speciali de igienizare, adăugați la detergent.

La încheierea ciclului de spălare, mașina efectuează o rotație lentă a cuvei, pentru a limita șifonarea; pentru a termina ciclul, apăsați tasta START/PAUZĂ.

MIX 30' (programul 4) a fost studiat pentru a spăla articolele puțin murdare, în mod rapid: durează doar 30 de minute ceea ce economisește energie și timp. Selectând programul (4 la 30°C) este posibilă spălarea articolelor din materiale diferite (excluse lână și mătasea) cu o greutate maximă de 3 kg.

MIX 15' (programul 5) a fost studiat pentru a spăla articolele foarte puțin murdare, în mod rapid: durează doar 15 de minute ceea ce economisește energie și timp. Selectând programul (5 la 30°C) este posibilă spălarea articolelor din materiale diferite (excluse lână și mătasea) cu o greutate maximă de 1,5 kg.

Reglarea temperaturii

Rotind selectorul de TEMPERATURĂ se fixează temperatura de spălare (a se vedea Tabelul programelor).

Temperatura poate fi redusă până la spălarea la rece (☸).

Mașina va împiedica în mod automat de a alege o temperatură mai mare decât maxima admisă pentru fiecare program.

Reglarea centrifugării

Rotind selectorul de CENTRIFUGARE se stabilește viteza de stoarcere pentru programul selectat.

Vitezele maxime, prevăzute pentru programe sunt:

Programe Viteză maximă

Bumbac	1000 rotații pe minut
Sintetice	800 rotații pe minut
Lână	600 rotații pe minut
Mătase	excludere stoarcere

Viteza de centrifugaare poate fi redusă sau centrifugarea poate fi exclusă selectând simbolul ☸.

Mașina va împiedica în mod automat alegerea unei viteze mai mari decât maxima admisă pentru fiecare program.

Funcții

Diferitele funcții de spălare prevăzute pentru mașina de spălat, permit obținerea unor rufe curate și albe, după dorință.

Pentru a activa funcțiile:

1. apăsați tasta corespunzătoare funcției dorite;
2. aprinderea ledului respectiv indică activarea funcției.

Notă: Semnalul luminos intermitent, rapid, indică faptul că funcția respectivă nu este compatibilă cu programul ales.

Pornirea întârziată

Întârzie pornirea mașinii cu până la 12 de ore.

Apăsați de mai multe ori până la aprinderea butonului cu întârzierea dorită. La a cincea apăsare a tastei, funcția se va dezactiva.

N.B.: După apăsarea tastei START/PAUZĂ, se va putea modifica întârzierea doar diminuând-o.

! Se poate activa pe toate programele.

Călcare ușoară

Selectând această opțiune, spălarea și centrifugarea vor fi modificate în mod oportun, pentru a reduce șifonarea rufelor. La încheierea ciclului, mașina de spălat va executa rotații lente ale cuvei; ledul corespunzător funcției CĂLCARE UȘOARĂ și START/PAUZĂ se vor aprinde (culoarea portocalie) intermitent, iar cel al fazei de CLĂTIRE va rămâne aprins. Pentru a termina ciclul, apăsați tasta START/PAUZĂ sau tasta CĂLCARE UȘOARĂ.

În cazul în care ați ales programul **Mătase** mașina de spălat va termina ciclul cu rufe la înmuiat; ledul "Călcare facilitată" se va aprinde intermitent. Pentru a goli apa din mașină și a scoate rufe, apăsați tasta START/PAUZĂ sau tasta CĂLCARE UȘOARĂ.

! Nu se poate activa pe programele 4, 5, 6, 7, 8, 11, C, D și E.

Clătire suplimentară

Selectând această opțiune, clătirea va fi mai eficientă, ceea ce asigură eliminarea totală a detergentului din rufe. Este recomandată cu precădere persoanelor cu pielea sensibilă.

! Nu poate fi activată pe programele 4, 5, C, D și E.

Super spălare

Mulțumită utilizării unei cantități mai mari de apă în faza inițială a ciclului și duratei de timp îndelungate, această funcție garantează o spălare de mare performanță.

! Nu poate fi activată pe programele 4, 5, 6, 10, 11, A, B, C, D, E.

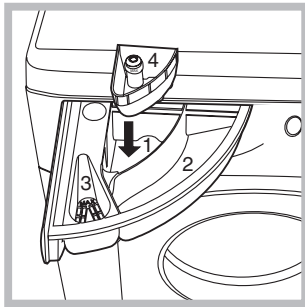
Detergenți și rufe albe

RO

Compartimentul pentru detergenți

Un rezultat bun la spălare depinde și de dozarea corectă a detergentului: excesul de detergent nu garantează o spălare mai eficientă, ci contribuie la deteriorarea părților interne ale mașinii de spălat și la poluarea mediului înconjurător.

! Nu introduceți în mașină detergenții pentru spălarea manuală deoarece formează prea multă spumă.



Deschideți compartimentul pentru detergenți și introduceți detergentul sau aditivul după cum urmează:

compartiment 1: Detergent pentru prespălare (sub formă de praf)

Înainte de a adăuga detergentul verificați ca sertarul adițional 4 să nu fie introdus.

compartiment 2: Detergent pentru spălare (sub formă de praf sau lichid)

Detergentul lichid trebuie vărsat doar înainte de pornire.

compartiment 3: Aditivi

(soluție de înmuiat, balsam rufe etc.)

Soluția de înmuiat nu trebuie să iasă deasupra grătarului.

compartiment adițional 4: Decolorant (Înălbitor)

Ciclu de albire

Albirea poate fi efectuată numai cu programele **1, 2, 6**. Turnați decolorantul în compartimentul adițional **4**, iar detergentul și balsamul de rufe în compartimentele corespunzătoare, apoi alegeți unul din ciclurile descrise mai sus. Este indicat numai pentru articole din bumbac foarte murdare.

Pregătirea rufelor

- Sortați rufe în funcție de:
 - tipul de material / simbolul de pe etichetă.
 - culori: separați rufe colorate de cele albe.
- Goliți buzunarele și controlați nasturii.
- Nu depășiți valorile indicate, referitoare la greutatea rufelor uscate:
 - Țesături rezistente: max 7 kg
 - Materiale sintetice: max 3 kg
 - Țesături delicate: max 2 kg
 - Lână: max 1,5 kg

Cât cântăresc rufe?

- 1 cearceaf 400-500 g.
- 1 față de pernă 150-200 g.
- 1 față de masă 400-500 g.
- 1 halat de baie 900-1.200 g.
- 1 prosop 150-250 g.


Articole delicate

Cămăși: utilizați programul **9** special pentru a spăla cămășile din material și cu culori diferite.

Programul asigură o calitate maximă și reduce formarea pliurilor.

Mătase: utilizați programul special **10** pentru spălarea articolelor din mătase. Se recomandă folosirea unui detergent special pentru articole delicate.

Perdele: vă recomandăm să le pliați și să le introduceți în sacul din dotare (accesoriu optional, doar la unele modele). Utilizați programul **10**.

Lână: Hotpoint/Ariston este unica mașină de spălat recunoscută de Woolmark Company, care i-a acordat Woolmark Platinum Care (M.0508), ca garanție a calității de spălare cu mașina a tuturor articolelor de lână, inclusiv a celor care au pe etichetă mențiunea „a se spăla manual” . Cu programul **11** puteți deci spăla la mașină, în cea mai mare siguranță, toate articolele din lână (max. 1,5 kg) cu garanția de a obține cele mai performante rezultate.

Sistemul de echilibrare a încărcăturii

Pentru a evita trepidațiile excesive, înainte de stoarcere, cuva mașinii va distribui cantitatea de rufe în mod uniform, centrifuga efectuând câteva rotații la o viteză mai mare decât viteza de spălare. Dacă, după numeroase încercări, mașina nu reușește să echilibreze greutatea, stoarcerea rufelor se va face la o viteză mai mică decât cea prevăzută în program. Dacă instabilitatea este prea mare, mașina va distribui greutatea în locul centrifugei. Pentru a favoriza o mai bună repartizare a rufelor și echilibrarea corectă a mașinii, se recomandă să introduceți în mașină atât articole mari cât și mici.

! Mașina de spălat a fost proiectată și construită conform normelor internaționale de protecție. Aceste avertizări sunt furnizate din motive de siguranță și trebuie să fie citite cu atenție.

Norme de protecție și siguranță generale

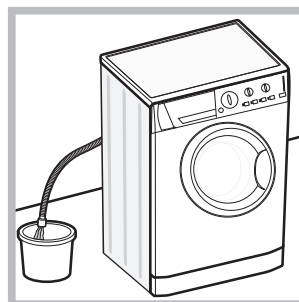
- Acest aparat a fost conceput exclusiv pentru utilizarea în locuințe unifamiliale.
- Mașina de spălat trebuie să fie folosită doar de persoane adulte care respectă instrucțiunile din acest manual.
- Nu atingeți mașina când sunteți desculți sau cu mâinile sau picioarele ude sau umede.
- Nu scoateți stecherul din priză trăgând de cablu.
- Nu deschideți compartimentul pentru detergent în timp ce mașina se află în funcțiune.
- Nu atingeți apa golită din mașină: poate avea o temperatură ridicată.
- Nu forțați în nici un caz ușa: s-ar putea deteriora mecanismul de siguranță care evită deschiderea accidentală.
- În caz de defecțiune, nu umblați în nici un caz la mecanismele din interior și nu încercați să o reparați singuri.
- Controlați mereu ca în apropierea mașinii aflate în funcțiune, să nu se afle copii.
- Pe durata spălării ușa se poate încălzi.
- Dacă trebuie să deplasați mașina, cereți ajutor unei alte (sau 2) persoane și fiți foarte atenți. Niciodată nu deplasați mașina singuri deoarece aceasta este foarte grea.
- Înainte de a introduce rufele, controlați cuva să fie goală.

Aruncarea reziduurilor

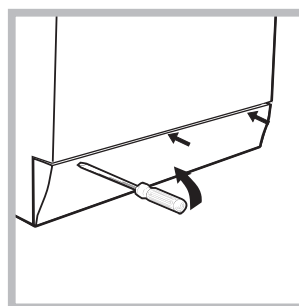
- Eliminarea ambalajelor: respectați normele locale, în acest fel ambalajele vor putea fi utilizate din nou.
- Directiva Europeană 2002/96/CE cu privire la deșeurile care provin de la aparatura electrică sau electronică prevede ca aparatele electrocasnice să nu fie colectate împreună cu deșeurile urbane solide, obișnuite. Aparatele scoase din uz trebuie să fie colectate separat atât pentru a optimiza rata de recuperare și de reciclare a materialelor componente cât și pentru a evita pericolele care pot duce la dăunarea sănătății omului sau poluarea mediului înconjurător. Simbolul tomberonului tăiat care apare pe toate produsele vă amintește tocmai obligația de a le colecta separat. Pentru informații suplimentare cu privire la scoaterea din uz a electrocasnicilor, deținătorii acestora pot apela la centrele de colectare a deșeurilor sau la vânzătorii de la care au achiziționat produsele respective.

Deschiderea manuală a ușii

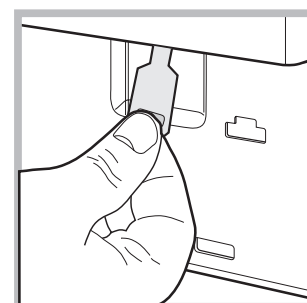
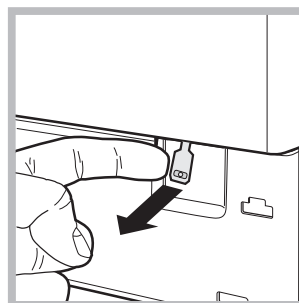
Dacă nu este posibil să deschideți ușa din cauza întreruperii curentului electric și doriți totuși să întindeți rufele, procedați după cum urmează:



1. scoateți stecherul din priză.
2. verificați ca nivelul de apă din mașină să fie sub marginea ușii; în caz contrar, scoateți apa în exces cu ajutorul furtunului de golire, punând-o într-un vas, după indicațiile din figura.



3. scoateți panoul de acoperire din partea din față a mașinii de spălat folosind o șurubelniță (a se vedea figura).



4. utilizând dispozitivul indicat în figură, trageți spre dumneavoastră până când eliberați tirantul de plastic din opritor; trageți apoi în jos și, în același timp, deschideți ușa.

5. montați din nou panoul verificând, înainte de a-l împinge spre mașină, de a fi introdus cârligele în orificiile respective.

Întreținere și curățare

RO

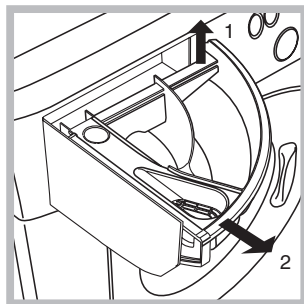
Înteruperea alimentării cu apă și curent electric

- Închideți robinetul de apă după fiecare spălare. Se limitează astfel uzura instalației hidraulice a mașinii de spălat și se elimină pericolul scurgerilor.
- Scoateți stecherul din priza de curent atunci când curățați mașina de spălat și când se efectuează lucrări de întreținere.

Curățarea mașinii de spălat

Partea externă și părțile din cauciuc pot fi curățate cu o lavetă înmuiată în apă caldă și săpun. Nu folosiți solvenți sau substanțe abrazive.

Curățarea compartimentului pentru detergent



Trageți afara compartimentul ridicându-l și tragându-l spre exterior (a se vedea figura). Spălați-l sub un jet de apă; această operație trebuie efectuată cât mai des posibil.

Îngrijirea ușii și a tamburului

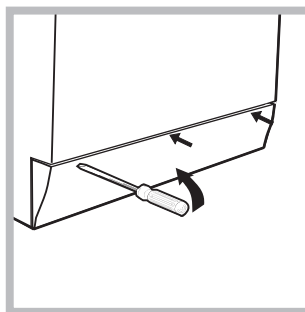
- Lăsați mereu ușa întredeschisă pentru a evita formarea de mirosuri neplăcute.

Curățarea pompei

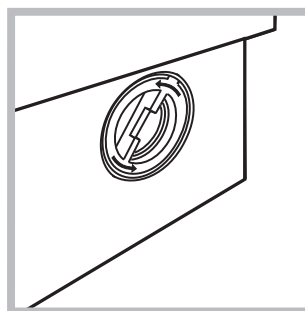
Mașina de spălat este dotată cu o pompă de autocurățare care nu are nevoie de întreținere. Se poate întâmpla însă ca unele obiecte mici (monede, nasturi) să cadă în anticamera care protejează pompa, situată în partea inferioară a acesteia.

! Verificați ca ciclul de spălare să fie încheiat și scoateți stecherul din priză.

Pentru a avea acces la anticameră:



1. scoateți panoul de acoperire din partea din față a mașinii de spălat folosind o șurubelniță (a se vedea figura);



2. deșurubați capacul rotindu-l în sens invers acelor de ceasornic (a se vedea figura). Este normal să iasă puțină apă;

3. curățați cu grijă interiorul;
4. înșurubați la loc capacul;
5. montați din nou panoul verificând, înainte de a-l împinge spre mașină, de a fi introdus cârligele în orificiile respective.

Controlarea furtunului de alimentare cu apă

Controlați tubul de alimentare cel puțin o dată pe an. Dacă prezintă crăpături sau fisuri trebuie înlocuit: pe parcursul spălărilor, presiunea puternică ar putea provoca crăpături neașteptate.

! Nu folosiți niciodată tuburi folosite deja.

Se poate întâmpla ca mașina de spălat să nu funcționeze. Înainte de a apela serviciul de Service (a se vedea "Asistență"), verificați dacă nu este vorba de o problemă ușor de rezolvat:

RO

Anomalii:

Cauze posibile / Rezolvare:

Mașina de spălat nu pornește.

- Stecherul nu este introdus în priză de curent, sau nu face contact.
- Aveți o pană de curent la domiciliu.

Ciclul de spălare nu pornește.

- Ușa nu este bine închisă.
- Tasta PORNIRE/OPRIRE nu a fost apăsată.
- Tasta START/PAUZĂ nu a fost apăsată.
- Robinetul de apă nu este deschis.
- A fost fixată o întârziere de pornire (a se vedea "Personalizare").

Mașina de spălat nu se alimentează cu apă (ledul primei faze de spălare se aprinde intermitent și rapid).

- Furtunul de alimentare cu apă nu este racordat la robinet.
- Furtunul este îndoit.
- Robinetul de apă nu este deschis.
- Apa la domiciliul dumneavoastră.
- Apa nu are presiune suficientă.
- Tasta START/PAUZĂ nu a fost apăsată.

Mașina de spălat încarcă și descarcă apă continuu.

- Furtunul de golire nu a fost instalat la o înălțime cuprinsă între 65 și 100 cm de pământ (a se vedea "Instalare").
- Capătul furtunului de evacuare este cufundat în apă (a se vedea "Instalare").
- Evacuarea din perete nu are răsuflare pentru aer.

Dacă după aceste verificări problema nu se rezolvă, închideți robinetul de apă, opriți mașina de spălat și chemați Service-ul. Dacă locuința se află la ultimele etaje ale unui edificiu, este posibil să aibă loc fenomene de sifonare, motiv pentru care mașina de spălat încarcă și descarcă apă încontinuu. Pentru a elimina acest inconvenient, se găsesc în comerț supape anti-sifonare.

Mașina de spălat nu se golește sau nu stoarce.

- Programul nu prevede golirea apei: în cazul anumitor programe, este necesară activarea manuală.
- Funcția CĂLCARE UȘOARĂ este activă: pentru a încheia programul, apăsați tasta START/PAUZĂ (a se vedea "Personalizare").
- Furtunul de golire este îndoit (a se vedea "Instalare").
- Conducta de descărcare este înfundată.

Mașina de spălat vibrează foarte mult în timpul stoarcerii.

- Cuva, în momentul instalării, nu a fost deblocată în mod corespunzător (a se vedea "Instalare").
- Mașina de spălat este în pantă (a se vedea "Instalare").
- Mașina de spălat este prea aproape de pereți și mobilier (a se vedea "Instalare").

Mașina de spălat pierde apă.

- Furtunul de alimentare cu apă nu este bine înșurubat (a se vedea "Instalare").
- Compartimentul de detergenți este înfundat (pentru a-l curăța a se vedea "Întreținere și curățare").
- Furtunul de golire nu este bine fixat (a se vedea "Instalare").

Ledul START/PAUZĂ (portocaliu) și ledurile funcțiilor se aprind intermitent.

- Opriți mașina și scoateți stecherul din priză; așteptați aproximativ 1 minut înainte de a o reaprinde. Dacă nu obțineți nici un rezultat, apăsați Centrul de service pentru asistență.

Se formează prea multă spumă.

- Detergentul nu este compatibil cu mașina de spălat (trebuie să fie scris „pentru mașina de spălat”, „de mână sau în mașina de spălat”, sau ceva asemănător).
- Dozajul a fost excesiv.

Asistență

RO

Înainte de a lua legătura cu Service-ul:

- Verificați dacă puteți rezolva singuri problema (*a se vedea "Anomalii și remedii"*);
- Porniți din nou programul pentru a controla dacă inconvenientul a fost eliminat;
- În caz negativ, luați legătura cu asistența tehnică autorizată la numărul telefonic indicat pe certificatul de garanție.

! Nu apelați niciodată la persoane neautorizate.

Comunicați:

- tipul de anomalie;
- modelul mașinii (Mod.);
- numărul de serie (S/N).

Aceste informații sunt specificate pe plăcuța cu date tehnice, lipită în partea din spate a mașinii de spălat precum și în partea anterioară, după ce deschideți ușa.

ES

Español

ARXXL 105

Sumario

Instalación, 38-39

Desembalaje y nivelación
Conexiones hidráulicas y eléctricas
Primer ciclo de lavado
Datos técnicos

Descripción de la lavadora y comienzo de un programa, 40-41

Panel de control
Pilotos
Poner en marcha un programa

Programas, 42

Tabla de programas

Personalizaciones, 43

Seleccionar la temperatura
Seleccionar el centrifugado
Funciones

Detergentes y ropa, 44

Contenedor de detergentes
Ciclo de blanqueo
Preparar la ropa
Prendas especiales
Sistema de equilibrado de la carga

Precauciones y consejos, 45

Seguridad general
Eliminaciones
Apertura manual de la puerta

Mantenimiento y cuidados, 46

Interrumpir el agua y la corriente eléctrica
Limpiar la lavadora
Limpiar el contenedor de detergentes
Cuidar la puerta y el cesto
Limpiar la bomba
Controlar el tubo de alimentación de agua

Anomalías y soluciones, 47

Asistencia, 48

 **Hotpoint**
ARISTON

ES

Instalación

ES

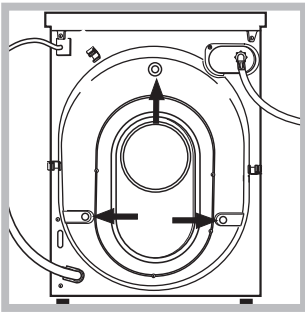
! Es importante conservar este manual para poder consultarlo en cualquier momento. En caso de venta, de cesión o de traslado, verifique que permanezca junto con la lavadora para informar al nuevo propietario sobre el funcionamiento y brindar las correspondientes advertencias.

! Lea atentamente las instrucciones: ellas contienen importante información sobre la instalación, el uso y la seguridad.

Desembalaje y nivelación

Desembalaje

1. Desembale la lavadora.
2. Controle que la lavadora no haya sufrido daños durante el transporte. Si estuviera dañada no la conecte y llame al revendedor.



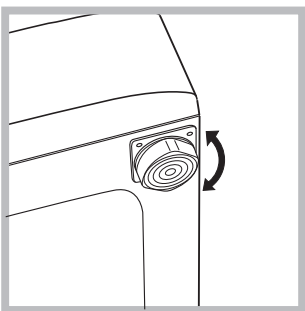
3. Quite los **3** tornillos de protección para el transporte y la arandela de goma con el correspondiente distanciador ubicados en la parte posterior (ver la figura).

4. Cubra los orificios con los tapones de plástico suministrados con el aparato.
5. Conserve todas las piezas: cuando la lavadora deba ser transportada nuevamente, deberán volver a colocarse.

! Los embalajes no son juguetes para los niños.

Nivelación

1. Instale la lavadora sobre un piso plano y rígido, sin apoyarla en las paredes, muebles ni en ningún otro aparato.

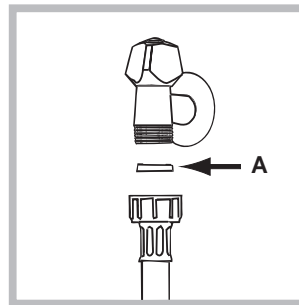


2. Si el piso no está perfectamente horizontal, compense las irregularidades desenroscando o enroscando las patas delanteras (ver la figura); el ángulo de inclinación medido sobre la superficie de trabajo, no debe superar los 2°.

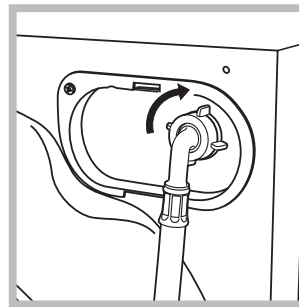
Una cuidadosa nivelación brinda estabilidad a la máquina y evita vibraciones, ruidos y desplazamientos durante el funcionamiento. Cuando se instala sobre moquetas o alfombras, regule los pies para conservar debajo de la lavadora un espacio suficiente para la ventilación.

Conexiones hidráulicas y eléctricas

Conexión del tubo de alimentación de agua



1. Introduzca la junta A en el extremo del tubo de alimentación y enrósquelo a un grifo de agua fría con boca roscada de 3/4 gas (ver la figura). Antes de conectarlo, haga correr el agua hasta que esté límpida.



2. Conecte el tubo de alimentación a la lavadora enroscándolo en la toma de agua correspondiente ubicada en la parte posterior derecha (arriba) (ver la figura).

3. Controle que en el tubo no hayan pliegues ni estrangulaciones.

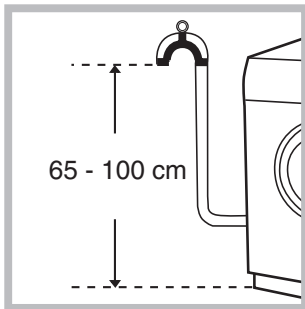
! La presión de agua del grifo debe estar comprendida dentro de los valores contenidos en la tabla de Datos técnicos (ver la página correspondiente).

! Si la longitud del tubo de alimentación no es la suficiente, diríjase a un negocio especializado o a un técnico autorizado.

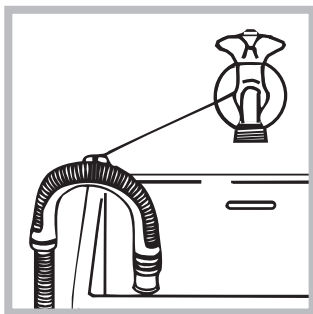
! No utilice nunca tubos ya usados.

! Utilice los suministrados con la máquina.

Conexión del tubo de descarga



Conecte el tubo de descarga, sin plegarlo, a una tubería de descarga o a una descarga de pared colocadas a una altura del piso entre 65 y 100 cm;



o apóyelo en el borde de un lavamanos o de una bañera, uniendo la guía suministrada con el aparato, al grifo (ver la figura). El extremo libre del tubo de descarga no debe permanecer sumergido en el agua.

! No se aconseja utilizar tubos de prolongación, si fuera indispensable hacerlo, la prolongación debe tener el mismo diámetro del tubo original y no superar los 150 cm.

Conexión eléctrica

Antes de enchufar el aparato, verifique que:

- la toma tenga la conexión a tierra y haya sido hecha según las normas legales;
- la toma sea capaz de soportar la carga máxima de potencia de la máquina indicada en la tabla de Datos técnicos (ver al costado);
- la tensión de alimentación esté comprendida dentro de los valores indicados en la tabla de Datos técnicos (ver al costado);
- la toma sea compatible con el enchufe de la lavadora. Si no es así, sustituya la toma o el enchufe.

! La lavadora no debe ser instalada al aire libre, ni siquiera si el lugar está reparado, ya que es muy peligroso dejarla expuesta a la lluvia o a las tormentas.

! Una vez instalada la lavadora, la toma de corriente debe ser fácilmente accesible.

! No utilice prolongaciones ni conexiones múltiples.

! El cable no debe estar plegado ni sufrir compresiones.



! El cable de alimentación debe ser sustituido sólo por técnicos autorizados.

¡Atención! La empresa fabricante declina toda responsabilidad en caso de que estas normas no sean respetadas.

Primer ciclo de lavado

Después de la instalación y antes del uso, realice un ciclo de lavado con detergente y sin ropa, seleccionando el programa 1.

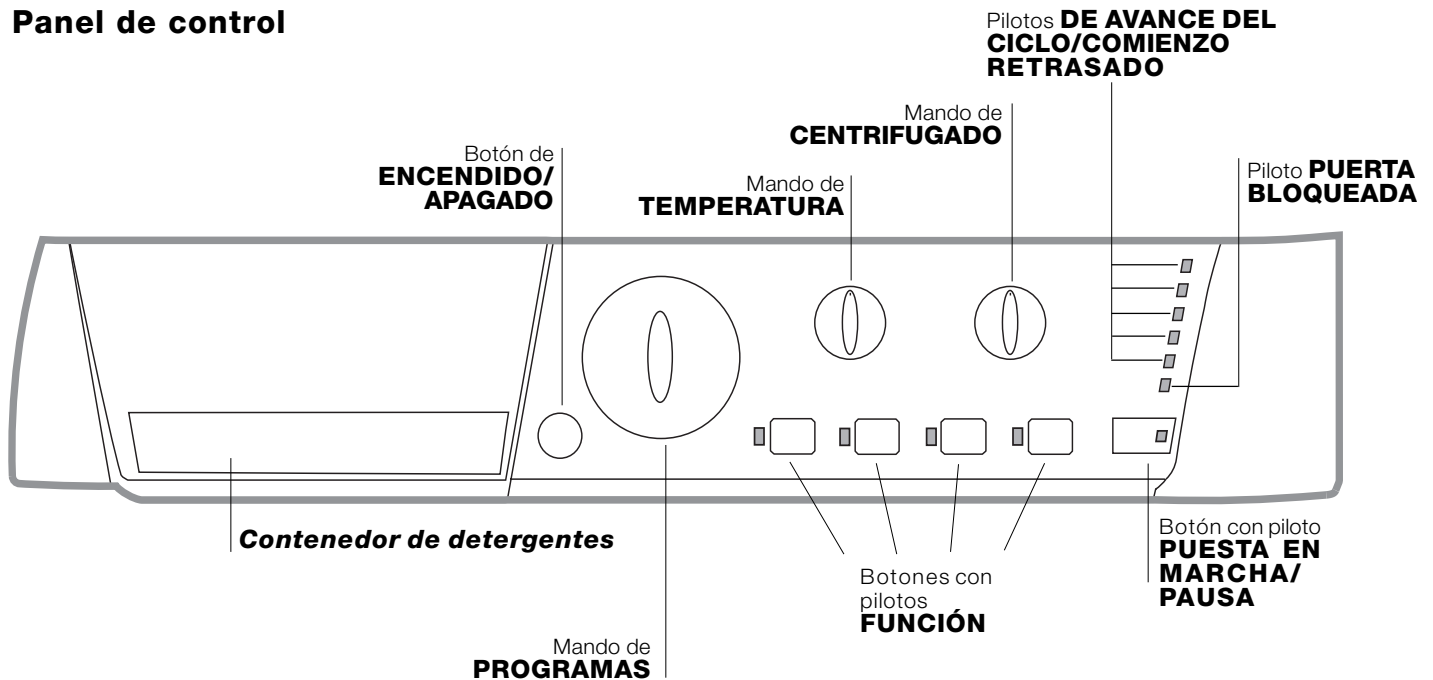
Datos técnicos

Modelo	ARXXL 105
Dimensiones	ancho 59,5 cm. altura 85 cm. profundidad 56,5 cm.
Capacidad	de 1 a 7 kg.
Conexiones eléctricas	ver la placa de características técnicas aplicada en la máquina
Conexiones hídricas	presión máxima 1 MPa (10 bar) presión mínima 0,05 MPa (0,5 bar) capacidad del cesto 52 litros
Velocidad de centrifugado	máxima 1000 r.p.m.
Programas de control según la norma EN 60456	programa 6; temperatura 60°C; efectuado con 7 kg. de carga.
 	Esta máquina cumple con lo establecido por las siguientes Directivas de la Comunidad: - 73/23/CEE del 19/02/73 (Baja Tensión) y sucesivas modificaciones - 89/336/CEE del 03/05/89 (Compatibilidad Electromagnética) y sucesivas modificaciones - 2002/96/CE

Descripción de la lavadora y comienzo de un programa

ES

Panel de control



Contenedor de detergentes: para cargar detergentes y aditivos (ver “Detergentes y ropa”). Dentro del contenedor de detergentes se encuentra la leyenda con la cual se puede consultar, en todo momento, un esquema sintético de los programas.

Botón de **ENCENDIDO/APAGADO:** para encender y apagar la lavadora.

Mando de **PROGRAMAS:** para elegir los programas. Durante el funcionamiento del programa el mando no se mueve.

Botones con pilotos de **FUNCIÓN:** para seleccionar las funciones disponibles. El piloto correspondiente a la función seleccionada permanecerá encendido.

Mando de **CENTRIFUGADO:** para seleccionar el centrifugado o excluirlo (ver “Personalizaciones”).

Mando de **TEMPERATURA:** para seleccionar la temperatura o el lavado en frío (ver “Personalizaciones”).

Pilotos **DE AVANCE DEL CICLO/COMIENZO RETRASADO:** para seguir el estado de avance del programa de lavado.

El piloto encendido indica la fase en curso. Si se seleccionó la función “Comienzo retrasado”, indicarán el tiempo que falta para la puesta en marcha del programa (ver la página correspondiente).

Piloto **PUERTA BLOQUEADA:** para saber si la puerta se puede abrir (ver la página correspondiente).

Botón con piloto **PUESTA EN MARCHA/PAUSA:** se utiliza para poner en marcha los programas o interrumpirlos momentáneamente.

Nota: Presione este botón para poner en pausa el lavado en curso, el piloto correspondiente centelleará con color anaranjado mientras que el de la fase en curso permanecerá encendido en forma fija. Si el piloto **PUERTA BLOQUEADA** está apagado, se podrá abrir la puerta.

Para que el lavado se reanude a partir del momento en el cual fue interrumpido, presione nuevamente este botón.

Pilotos

Los pilotos suministran información importante. He aquí lo que nos dicen:

Comienzo retrasado

Si se ha activado la función "Comienzo retrasado" (ver "Personalizaciones"), después de haber puesto en marcha el programa, comenzará a centellear el piloto correspondiente al retraso seleccionado:



Con el transcurrir del tiempo se visualizará el retraso residual con el centelleo de la luz testigo correspondiente:



Una vez transcurrido el tiempo fijado, la luz testigo centelleante se apagará y comenzará el programa seleccionado.

Pilotos fase en curso

Una vez seleccionado y puesto en marcha el ciclo de lavado deseado, las luces testigo se encenderán progresivamente para indicar su estado de avance:



Botones de función y pilotos correspondientes

Seleccionando una función, el piloto correspondiente se iluminará.

Si la función seleccionada no es compatible con el programa elegido, el piloto correspondiente centelleará y la función no se activará.

Cuando se seleccione una función incompatible con otra seleccionada precedentemente, permanecerá activa sólo la última elección realizada.

🚫 Piloto puerta bloqueada:

El piloto encendido indica que la puerta está bloqueada para impedir aperturas accidentales; antes de abrir la puerta es necesario esperar que dicho piloto se apague, de este modo se evitarán daños.

Nota: si la función "Comienzo retrasado" está activada, la puerta no se puede abrir, para abrirla se debe poner en pausa la máquina presionando el botón PUESTA EN MARCHA/PAUSA.

! El centelleo rápido del piloto PUESTA EN MARCHA/PAUSA (anaranjado) simultáneamente con el de las funciones indica una anomalía (ver "Anomalías y soluciones").

Poner en marcha un programa

1. Encienda la lavadora presionando el botón ENCENDIDO/APAGADO. Todos los pilotos se encenderán durante algunos segundos, luego se apagarán y se deberá pulsar el piloto PUESTA EN MARCHA/PAUSA.
2. Cargue la ropa y cierre la puerta.
3. Seleccione el programa deseado con el mando de PROGRAMAS.
4. Fije la temperatura de lavado (ver "Personalizaciones").
5. Fije la velocidad de centrifugado (ver "Personalizaciones").
6. Vierta detergente y aditivos (ver "Detergentes y ropa").
7. Seleccione las funciones deseadas.
8. Ponga en marcha el programa presionando el botón PUESTA EN MARCHA/PAUSA y el piloto correspondiente permanecerá encendido, fijo y de color verde.
Para anular el ciclo seleccionado ponga en pausa la máquina presionando el botón PUESTA EN MARCHA/PAUSA y elija un nuevo ciclo.
9. Al final del programa se iluminará el piloto END. El piloto PUERTA BLOQUEADA se apagará indicando que la puerta se puede abrir. Extraiga la ropa y deje la puerta semicerrada para permitir que el cesto se seque. Apague la lavadora presionando el botón ENCENDIDO/APAGADO.

Programas

Tabla de programas

Programas	Descripción del Programa	Temp. max. (°C)	Velocidad máx. (r.p.m.)	Detergentes			Carga máx. (Kg.)	Duración del ciclo
				Blanqueador	Lavado	Suavizante		
Programas Especiales								
6	Ciclo Desinfectante: ropa blanca muy sucia.	90°	1000	●	●	●	7	165
6	Ciclo Desinfectante (1): blancos y colores resistentes muy sucios.	60°	1000	-	●	●	7	175
7	Ciclo Buenas Noches: colores delicados poco sucios.	40°	800	-	●	●	4	290
8	Baby Cycle: colores delicados muy sucios.	40°	800	-	●	●	2	118
9	Camisas	40°	600	-	●	●	2	70
10	Seda/Cortinas: para prendas de seda, viscosa, lencería.	30°	0	-	●	●	2	55
11	Lana: para lana, cachemira, etc.	40°	600	-	●	●	1,5	55
Programas para todos los días (Diario)								
1	Algodón: blancos y colores resistentes muy sucios.	60°	1000	●	●	●	7	130
1	Algodón (2): blancos y colores delicados muy sucios.	40°	1000	●	●	●	7	115
2	Algodón de color (3): blancos poco sucios y colores delicados.	40°	1000	●	●	●	7	85
3	Sintético resistente: colores resistentes muy sucios.	60°	800	-	●	●	3	85
3	Sintético delicado: colores resistentes poco sucios.	40°	800	-	●	●	3	70
4	Mix 30': para refrescar rápidamente prendas poco sucias (no se aconseja utilizarlo para lana, seda y prendas para lavar a mano).	30°	800	-	●	●	3	30
5	Mix 15': para refrescar rápidamente prendas poco sucias (no se aconseja utilizarlo para lana, seda y prendas para lavar a mano).	30°	800	-	●	●	1,5	15
Programas Parciales								
A	Aclarado Algodón	-	1000	-	-	●	7	44
B	Aclarado Delicado	-	800	-	-	●	3	37
C	Centrifugado Rápido	-	1000	-	-	-	7	16
D	Centrifugado Delicado	-	800	-	-	-	3	12
E	Descarga	-	0	-	-	-	7	2

Los datos contenidos en la tabla tienen un valor indicativo.

Para todos los Test Institutes:

- 1) Programa de control según la norma EN 60456: seleccione el programa 6 con una temperatura de 60°C.
- 2) Programa algodón largo: seleccione el programa 1 con una temperatura de 40°C.
- 3) Programa algodón corto: seleccione el programa 2 con una temperatura de 40°C.

Programas particulares

Ciclo Desinfectante (programa 6). Un programa higienizante con elevadas temperaturas, prevé el uso del blanqueador con temperaturas mayores que 60°C. Para blanquear vierta el blanqueador, los detergentes y los aditivos en los compartimentos correspondientes (ver el párrafo "Contenedor de detergentes").

Ciclo Buenas noches (programa 7). Es un ciclo silencioso que puede trabajar de noche cuando la tarifa energética es menor. El programa ha sido estudiado para prendas sintéticas y de algodón. Al final del ciclo, la máquina se detiene con el agua en la cuba; para realizar el centrifugado y la descarga presione el botón PUESTA EN MARCHA/PAUSA, de lo contrario, después de 8 horas, la máquina los realizará automáticamente.

Baby Cycle (programa 8). Programa capaz de eliminar la suciedad característica de los niños pero garantizando la eliminación del detergente de las prendas para evitar problemas de alergia en la piel delicada de los niños. El ciclo ha sido estudiado para disminuir la carga bacteriana utilizando una mayor cantidad de agua y optimizando el efecto de aditivos específicos higienizantes agregados al detergente.

Al finalizar el lavado, la máquina realizará lentas rotaciones del cesto para evitar la formación de arrugas; para terminar el ciclo, presione el botón PUESTA EN MARCHA/PAUSA.

Mix 30' (programa 4) fue estudiado para lavar prendas ligeramente sucias y en poco tiempo: dura sólo 30 minutos y de esa manera permite ahorrar energía y tiempo. Seleccionando el programa (4 a 30°C) es posible lavar conjuntamente tejidos de distinto tipo (excluidas lana y seda), con una carga máxima de 3 kg.

Mix 15' (programa 5) fue estudiado para lavar prendas ligeramente sucias y en poco tiempo: dura sólo 15 minutos y de esa manera permite ahorrar energía y tiempo. Seleccionando el programa (5 a 30°C) es posible lavar conjuntamente tejidos de distinto tipo (excluidas lana y seda), con una carga máxima de 1,5 kg.

Seleccionar la temperatura

Girando el mando de la TEMPERATURA se selecciona la temperatura de lavado (ver la *Tabla de programas*). La temperatura se puede disminuir hasta el lavado en frío (❄).

La máquina impedirá automáticamente seleccionar una temperatura mayor que la máxima prevista para cada programa.

Seleccionar el centrifugado

Girando el mando de CENTRIFUGADO se selecciona la velocidad de centrifugado del programa seleccionado. Las velocidades máximas previstas para los programas son:

Programas	Velocidad máxima
Algodón	1000 r.p.m.
Sintéticos	800 r.p.m.
Lana	600 r.p.m.
Seda	sólo descarga

Se puede disminuir la velocidad de centrifugado o excluirlo seleccionando el símbolo (🌀).

La máquina impedirá automáticamente efectuar un centrifugado a una velocidad mayor que la máxima prevista para cada programa.

Funciones

Las distintas funciones de lavado previstas por la lavadora permiten obtener la limpieza y el blanco deseados. Para activar las funciones:

1. presione el botón correspondiente a la función deseada;
2. el encendido del piloto correspondiente indica que la función está activa.

Nota: El centelleo rápido del piloto indica que la función correspondiente no se puede seleccionar para el programa elegido.

Comienzo retrasado

Retrasa la puesta en marcha de la máquina hasta 12 horas.

Presione varias veces el botón hasta hacer encender la luz testigo correspondiente al retraso deseado. La quinta vez que se presione el botón, la función se desactivará.

Nota: Una vez presionado el botón PUESTA EN MARCHA/PAUSA, se puede modificar el valor del retraso sólo disminuyéndolo.

! Se puede utilizar en todos los programas.

Plancha fácil

Cuando se selecciona esta función, el lavado y el centrifugado se modificarán oportunamente para disminuir la formación de arrugas. Al finalizar el ciclo, la lavadora realizará lentas rotaciones del cesto; el piloto de la función PLANCHA FÁCIL y el de PUESTA EN MARCHA/PAUSA centellearán (anaranjado) y el de la fase ACLARADO permanecerá encendido en forma fija. Para finalizar el ciclo se deberá presionar el botón PUESTA EN MARCHA/PAUSA o el botón PLANCHA FÁCIL.

En el programa **Seda** la máquina terminará el ciclo dejando la ropa en remojo y el piloto de la función PLANCHA FÁCIL centelleará. Para descargar el agua y poder sacar la ropa, es necesario presionar el botón PUESTA EN MARCHA/PAUSA o el botón PLANCHA FÁCIL.

! No se puede activar con los programas 4, 5, 6, 7, 8, 11, C, D, E.

Aclarado extra

Al elegir esta función aumentará la eficacia del aclarado y se asegurará la máxima eliminación del detergente. Es útil para pieles particularmente sensibles.

! No se puede activar con los programas 4, 5, C, D, E.

Super wash

Gracias al uso de una mayor cantidad de agua en la fase inicial del ciclo y al empleo de mayor tiempo, dicha función garantiza un lavado con óptimos resultados.

! No se puede activar con los programas 4, 5, 6, 10, 11, A, B, C, D, E.

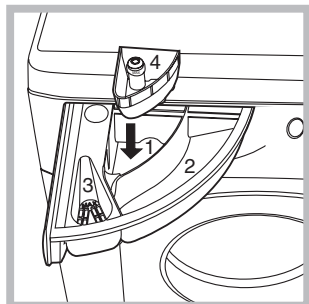
Detergentes y ropa

ES

Contenedor de detergentes

El buen resultado del lavado depende también de la correcta dosificación del detergente: si se excede la cantidad, no se lava de manera más eficaz, sino que se contribuye a encostrar las partes internas de la lavadora y a contaminar el medio ambiente.

! No use detergentes para el lavado a mano porque producen demasiada espuma.



Extraiga el contenedor de detergentes e introduzca el detergente o el aditivo de la siguiente manera:

cubeta 1: Detergente para prelavado (en polvo)

Antes de verter el detergente, verifique que no esté colocada la cubeta adicional 4.

cubeta 2: Detergente para lavado (en polvo o líquido)

El detergente líquido se debe verter sólo antes de la puesta en marcha.

cubeta 3: Aditivos (suavizante, etc.)

El suavizante no se debe volcar fuera de la rejilla.

cubeta adicional 4: Blanqueador

Ciclo de blanqueo

El blanqueo se puede realizar sólo con los programas **1, 2, 6**.

Vierta el blanqueador en la cubeta adicional **4**, el detergente y el suavizante en las correspondientes cubetas y luego seleccione uno de los programas indicados.

Es adecuado sólo para prendas de algodón muy sucias.

Preparar la ropa

- Subdivida la ropa según:
 - el tipo de tejido / el símbolo en la etiqueta.
 - los colores: separe las prendas de color y las blancas.
- Vacíe los bolsillos y controle los botones.
- No supere los valores indicados, referidos al peso de la ropa seca:
 - Tejidos resistentes: max 7 kg.
 - Tejidos sintéticos: max 3 kg.
 - Tejidos delicados: max 2 kg.
 - Lana: max 1,5 kg.

¿Cuánto pesa la ropa?

- 1 sábana 400/500 g
- 1 funda 150/200 g
- 1 mantel 400/500 g
- 1 albornoz 900/1200 g
- 1 toalla 150/250 g

Prendas especiales

Camisas: para lavar camisas de distintos tipos de telas y color, utilice el programa **9**. Garantiza su máximo cuidado minimizando la formación de arrugas.

Seda: utilice el programa correspondiente **10** para lavar todas las prendas de seda. Se aconseja el uso de un detergente específico para prendas delicadas.

Cortinas: se recomienda plegarlas e introducir las en el saco suministrado. Utilice el programa **10**.

Lana: Hotpoint/Ariston es la única lavadora que ha obtenido el prestigioso reconocimiento Woolmark Platinum Care (M.0508) otorgado por The Woolmark Company que certifica el lavado en lavadora de todas las prendas de lana, incluidas aquellas que contienen la etiqueta "sólo lavado a mano" . En consecuencia, con el programa **11** se puede utilizar la lavadora con total tranquilidad para lavar todas sus prendas de lana (máx. 1,5 kg) garantizando la obtención de los mejores resultados.

Sistema de equilibrado de la carga

Antes de cada centrifugado, para evitar vibraciones excesivas y para distribuir la carga de modo uniforme, el cesto realiza rotaciones a una velocidad ligeramente superior a la del lavado. Si después de varios intentos, la carga todavía no está correctamente equilibrada, la máquina realiza el centrifugado a una velocidad inferior a la prevista. Cuando existe un excesivo desequilibrio, la lavadora realiza la distribución antes que el centrifugado. Para obtener una mejor distribución de la carga y su correcto equilibrado, se aconseja mezclar prendas grandes y pequeñas.

! La lavadora fue proyectada y fabricada en conformidad con las normas internacionales de seguridad. Estas advertencias se suministran por razones de seguridad y deben ser leídas atentamente.

Seguridad general

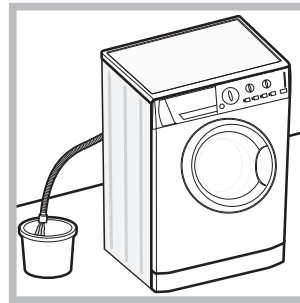
- Este aparato ha sido fabricado para un uso de tipo doméstico exclusivamente.
- La lavadora debe ser utilizada sólo por personas adultas y siguiendo las instrucciones contenidas en este manual.
- No toque la máquina con los pies desnudos ni con las manos o los pies mojados o húmedos.
- No desenchufe la máquina tirando el cable, sino tomando el enchufe.
- No abra el contenedor de detergentes mientras la máquina está en funcionamiento.
- No toque el agua de descarga porque puede alcanzar temperaturas elevadas.
- En ningún caso fuerce la puerta: podría dañarse el mecanismo de seguridad que la protege de aperturas accidentales.
- En caso de avería, no acceda nunca a los mecanismos internos para intentar una reparación.
- Controle siempre que los niños no se acerquen a la máquina cuando está en funcionamiento.
- Durante el lavado, la puerta tiende a calentarse.
- Si debe ser trasladada, deberán intervenir dos o más personas, procediendo con el máximo cuidado. La máquina no debe ser desplazada nunca por una sola persona ya que es muy pesada.
- Antes de introducir la ropa controle que el cesto esté vacío.

Eliminaciones

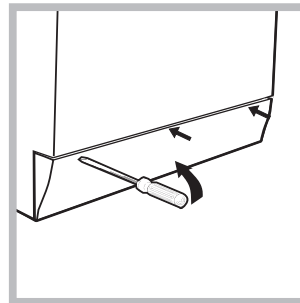
- Eliminación del material de embalaje: respete las normas locales, de ese modo, los embalajes podrán volver a ser utilizados.
- En base a la Norma europea 2002/96/CE de Residuos de aparatos Eléctricos y Electrónicos, los electrodomésticos viejos no pueden ser arrojados en los contenedores municipales habituales; tienen que ser recogidos selectivamente para optimizar la recuperación y reciclado de los componentes y materiales que los constituyen, y reducir el impacto en la salud humana y el medioambiente. El símbolo del cubo de basura tachado se marca sobre todos los productos para recordar al consumidor la obligación de separarlos para la recogida selectiva. El consumidor debe contactar con la autoridad local o con el vendedor para informarse en relación a la correcta eliminación de su electrodoméstico viejo.

Apertura manual de la puerta

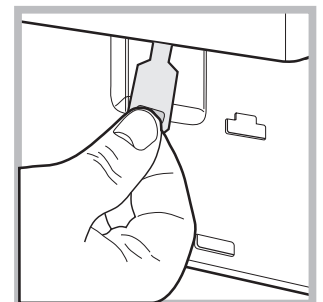
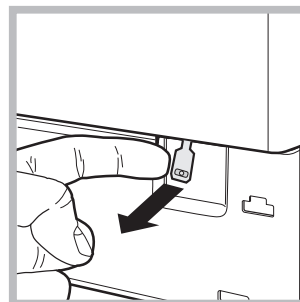
Si desea sacar la ropa de la lavadora y no es posible abrir la puerta debido a un corte de energía eléctrica, proceda del siguiente modo:



1. desenchufe la máquina.
2. verifique que el nivel de agua en el interior de la máquina sea inferior al hueco de la puerta; si no es así, extraiga el agua en exceso utilizando el tubo de descarga y recogiéndola en un balde como se indica en la figura.



3. quite el panel de cobertura delantero de la lavadora con la ayuda de un destornillador (ver la figura).



4. utilizando la lengüeta indicada en la figura, tire hacia fuera hasta liberar la varilla de plástico del retén; posteriormente tire hacia abajo y simultáneamente abra la puerta.

5. vuelva a montar el panel verificando, antes de empujarlo hacia la máquina, que los ganchos se hayan introducido en las correspondientes ranuras.

Mantenimiento y cuidados

ES

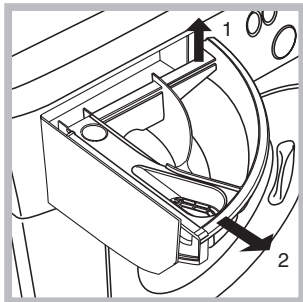
Interrumpir el agua y la corriente eléctrica

- Cierre el grifo de agua después de cada lavado. De este modo se limita el desgaste de la instalación hidráulica de la lavadora y se elimina el peligro de pérdidas.
- Desenchufe la máquina cuando la debe limpiar y durante los trabajos de mantenimiento.

Limpiar la lavadora

La parte externa y las partes de goma se pueden limpiar con un paño embebido en agua tibia y jabón. No use solventes ni productos abrasivos.

Limpiar el contenedor de detergentes



Extraiga el contenedor levantándolo y tirándolo hacia fuera (ver la figura). Lávelo debajo del agua corriente, esta limpieza se debe realizar frecuentemente.

Cuidar la puerta y el cesto

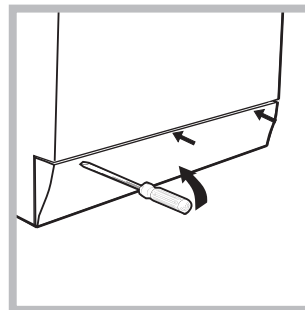
- Deje siempre semicerrada la puerta para evitar que se formen malos olores.

Limpiar la bomba

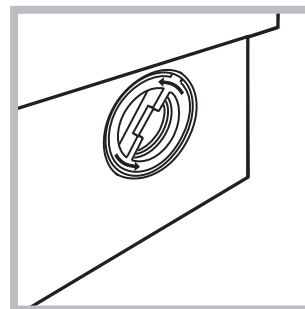
La lavadora posee una bomba autolimpiante que no necesita mantenimiento. Pero puede suceder que objetos pequeños (monedas, botones) caigan en la precámara que protege la bomba, situada en la parte inferior de la misma.

! Verifique que el ciclo de lavado haya terminado y desenchufe la máquina.

Para acceder a la precámara:



1. quite el panel que cubre la parte delantera de la lavadora con la ayuda de un destornillador (ver la figura);



2. desenrosque la tapa girándola en sentido antihorario (ver la figura): es normal que se vuelque un poco de agua;

3. limpie con cuidado el interior;
4. vuelva a enroscar la tapa;
5. vuelva a montar el panel verificando, antes de empujarlo hacia la máquina, que los ganchos se hayan introducido en las correspondientes ranuras.

Controlar el tubo de alimentación de agua

Controle el tubo de alimentación al menos una vez al año. Si presenta grietas o rajaduras debe ser sustituido: durante los lavados, las fuertes presiones podrían provocar roturas imprevistas.

! No utilice nunca tubos ya usados.

Puede suceder que la lavadora no funcione. Antes de llamar al Servicio de Asistencia Técnica (ver "Asistencia"), controle que no se trate de un problema de fácil solución utilizando la siguiente lista.

Anomalías:

Posibles causas / Solución:

La lavadora no se enciende.

- El enchufe no está introducido en la toma de corriente, o no hace contacto.
- En la casa no hay corriente.

El ciclo de lavado no comienza.

- La puerta no está correctamente cerrada.
- El botón ENCENDIDO/APAGADO no ha sido presionado.
- El botón PUESTA EN MARCHA/PAUSA no ha sido presionado.
- El grifo de agua no está abierto.
- Se fijó un retraso de la hora de puesta en marcha (ver "Personalizaciones").

La lavadora no carga agua (centellea rápidamente el piloto de la primera fase de lavado).

- El tubo de alimentación de agua no está conectado al grifo.
- El tubo está plegado.
- El grifo de agua no está abierto.
- En la casa no hay agua.
- No hay suficiente presión.
- El botón PUESTA EN MARCHA/PAUSA no ha sido presionado.

La lavadora carga y descarga agua continuamente.

- El tubo de descarga no está instalado entre los 65 y 100 cm. del suelo (ver "Instalación").
- El extremo del tubo de descarga está sumergido en el agua (ver "Instalación").
- La descarga de pared no posee un respiradero.

Si después de estas verificaciones, el problema no se resuelve, cierre el grifo de agua, apague la lavadora y llame a la Asistencia. Si la vivienda se encuentra en uno de los últimos pisos de un edificio, es posible que se verifiquen fenómenos de sifonaje, por ello la lavadora carga y descarga agua de modo continuo. Para eliminar este inconveniente se encuentran disponibles en el comercio válvulas especiales que permiten evitar el sifonaje.

La lavadora no descarga o no centrifuga.

- El programa no prevé la descarga: con algunos programas es necesario ponerla en marcha manualmente.
- Se puede utilizar la función PLANCHA FÁCIL: para completar el programa, pulse el botón PUESTA EN MARCHA/PAUSA ("Personalizaciones").
- El tubo de descarga está plegado (ver "Instalación").
- El conducto de descarga está obstruido.

La lavadora vibra mucho durante la centrifugación.

- El cesto, en el momento de la instalación, no fue desbloqueado correctamente (ver "Instalación").
- La máquina no está instalada en un lugar plano (ver "Instalación").
- Existe muy poco espacio entre la máquina, los muebles y la pared (ver "Instalación").

La lavadora pierde agua.

- El tubo de alimentación de agua no está bien enroscado (ver "Instalación").
- El contenedor de detergentes está obstruido (para limpiarlo ver "Mantenimiento y cuidados").
- El tubo de descarga no está bien fijado (ver "Instalación").

El piloto PUESTA EN MARCHA/PAUSA (anaranjado) y los pilotos de las funciones centellean rápidamente.

- Apague la máquina y desenchúfela, espere aproximadamente 1 minuto y luego vuelva a encenderla.
Si la anomalía persiste, llame al Servicio de Asistencia Técnica.

Se forma demasiada espuma.

- El detergente no es específico para la lavadora (debe contener algunas de las frases "para lavadora", "a mano o en lavadora" o similares).
- La dosificación fue excesiva.

Asistencia

ES

Antes de llamar al Servicio de Asistencia Técnica:

- Verifique si la anomalía la puede resolver Ud. solo (ver “Anomalías y soluciones”);
- Vuelva a poner en marcha el programa para controlar si el inconveniente fue resuelto;
- Si no es así, llame al Servicio de Asistencia técnica autorizado, al número de teléfono indicado en el certificado de garantía.

! No recurra nunca a técnicos no autorizados.

Comuniqué:

- el tipo de anomalía;
- el modelo de la máquina (Mod.);
- el número de serie (S/N).

Esta información se encuentra en la placa aplicada en la parte posterior de la lavadora y en la parte delantera abriendo la puerta.

Instruções para utilização

MÁQUINA DE LAVAR ROUPA

PT

Português

ARXXL 105

Sumário

Instalação, 50-51

Desembalar e nivelar
Ligações hidráulicas e eléctricas
Primeiro ciclo de lavagem
Dados técnicos

Descrição da máquina de lavar roupa e como iniciar um programa, 52-53

Painel de comandos
Indicadores luminosos
Iniciar um programa

Programas, 54

Tabela dos programas

Personalizações, 55

Selecione a temperatura
Selecione a centrifugação
Funções

Detergentes e roupa, 56

Gaveta dos detergentes
Ciclo para branquear
Preparar a roupa
Peças especiais
Sistema de balanceamento da carga

Precauções e conselhos, 57

Segurança geral
Eliminação
Abertura manual da porta de vidro

Manutenção e cuidados, 58

Interromper a alimentação de água e de corrente eléctrica
Limpar a máquina de lavar roupa
Limpar a gaveta dos detergentes
Cuidados com a porta de vidro e o tambor
Limpar a bomba
Verificar o tubo de alimentação de água

Anomalias e soluções, 59

Assistência, 60

 **Hotpoint**
ARISTON

PT

Instalação

PT

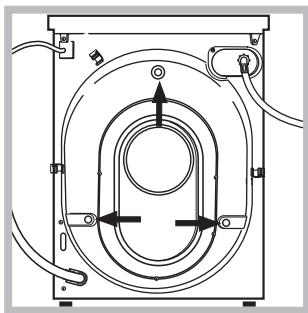
! É importante guardar este manual para poder consultá-lo a qualquer momento. Se a máquina for vendida, cedida ou transferida, certifique-se que este manual permaneça com a máquina para informar o novo proprietário acerca do seu funcionamento e das respectivas advertências.

! Leia com atenção estas instruções: há importantes informações acerca da instalação, da utilização e da segurança.

Desembalar e nivelar

Desembalar

1. Tire a máquina de lavar roupa da embalagem.
2. Verifique se a máquina de lavar roupa sofreu danos no transporte. Se estiver danificada não efectue a sua ligação e contacte o revendedor.



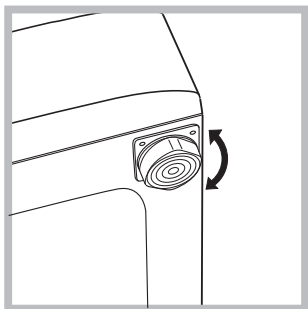
3. Tire os **3** parafusos de protecção para o transporte e a borrachinha com o respectivo calço, situados na parte traseira (veja a figura).

4. Tampe os furos com as tampas em plástico fornecidas.
5. Guarde todas as peças: se for necessário transportar a máquina de lavar roupa, terão de ser montadas outra vez.

! Embalagens não são brinquedos para as crianças!

Nivelamento

1. Instale a máquina de lavar roupa sobre um pavimento plano e rígido, sem encostá-la em paredes, móveis nem outro.

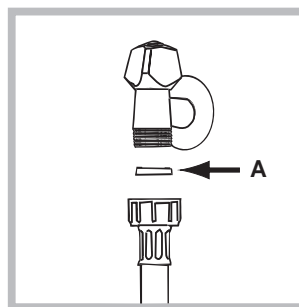


2. Se o pavimento não for perfeitamente horizontal, para compensar qualquer irregularidade, desatarraxe ou atarraxe os pés dianteiros (veja a figura); o ângulo de inclinação, medido no plano de trabalho, não deve ultrapassar 2°.

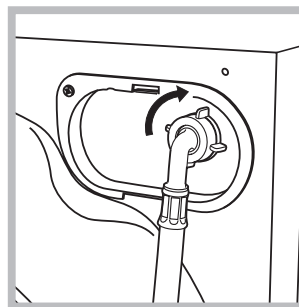
Um cuidadoso nivelamento dá estabilidade à máquina e evita vibrações, ruídos e deslocamentos durante o funcionamento. Se houver tapete ou alcatifa, regule os pés em modo que embaixo da máquina de lavar roupa deixe um espaço suficiente para ventilação.

Ligações hidráulicas e eléctricas

Ligação do tubo de alimentação da água



1. Coloque a guarnição A na ponta do tubo de alimentação e atarraxe-o numa torneira de água fria com bocal de rosca de 3/4 gás (veja a figura). Antes de realizar esta ligação, deixe a água escorrer até estar límpida.



2. Ligue o tubo de alimentação na máquina de lavar roupa atarraxando-o no apropriado fornecimento da água, na parte traseira, em cima à direita (veja a figura).

3. Tome cuidado para o tubo não ser dobrado nem esmagado.

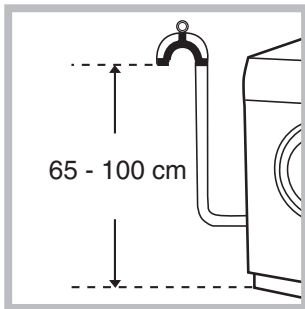
! A pressão hídrica da torneira deve ser entre os valores da tabela dos Dados técnicos (veja a página ao lado).

! Se o comprimento do tubo de alimentação não for suficiente, contacte uma oficina especializada ou um técnico autorizado.

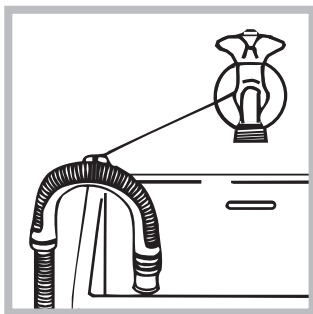
! Nunca utilize tubos já usados.

! Utilize aqueles fornecidos com a máquina.

Ligação do tubo de descarga



Ligue o tubo de descarga, sem dobrá-lo, a um conduto de descarga ou a uma descarga de parede colocados entre 65 e 100 cm do chão;



em alternativa, coloque na beira de um lavabo ou de uma banheira, prendendo na torneira a guia fornecida (veja a figura). A ponta solta do tubo de descarga não deve permanecer emergida na água.

! É desaconselhado empregar tubos de extensão; mas se for indispensável, a extensão deve ter o mesmo diâmetro do tubo original e não medir mais de 150 cm de comprimento.

Ligação eléctrica

Antes de ligar a ficha na tomada eléctrica, certifique-se que:

- a tomada tenha uma ligação à terra e seja nos termos da legislação;
- a tomada tenha a capacidade para suportar a carga máxima de potência da máquina, indicada na tabela dos Dados técnicos (veja ao lado);
- a tensão de alimentação seja entre os valores indicados na tabela dos Dados técnicos (veja ao lado);
- a tomada seja compatível com a ficha da máquina de lavar roupa. Se não for, substitua a tomada ou a ficha.

! Esta máquina de lavar roupa não deve ser instalada ao aberto, nem mesmo abrigada, porque é muito perigoso deixá-la exposta à chuva e às tempestades.

! Depois de ter instalado a máquina de lavar roupa, o acesso à tomada eléctrica deve ser fácil.

! Não empregue extensões nem fichas múltiplas.

! O cabo não deve ser dobrado nem apertado.

! O cabo de alimentação deve ser substituído somente por técnicos autorizados.

Atenção! O fabricante declina toda a responsabilidade se estas regras não forem respeitadas.

Primeiro ciclo de lavagem

Depois da instalação, antes de usar, efectue um ciclo de lavagem com detergente mas sem roupa, defina o programa 1.

Dados técnicos

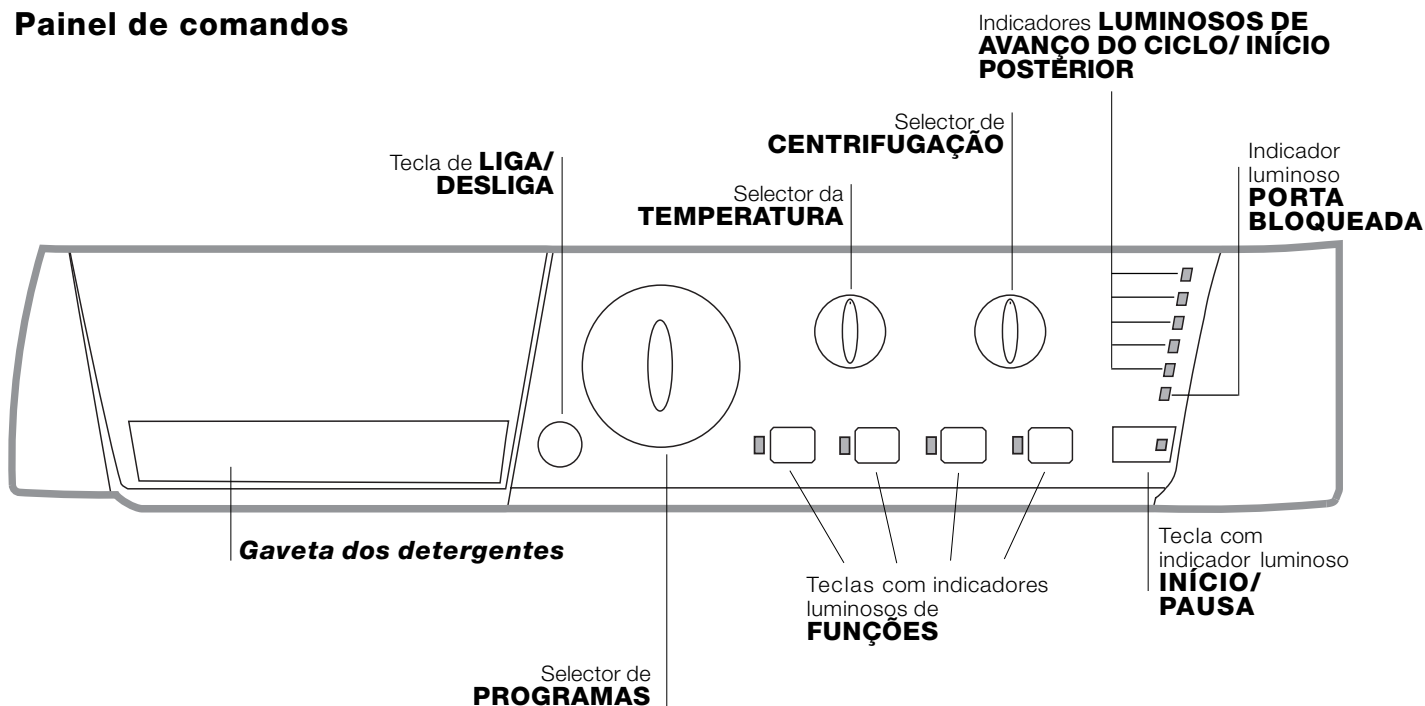
Modelo	ARXXL 105
Medidas	largura 59,5 cm. altura 85 cm. profundidade 56,5 cm.
Capacidade	de 1 a 7 kg.
Ligações eléctricas	veja a placa das características técnicas colocada na máquina
Ligações hídricas	pressão máxima 1 MPa (10 bars) pressão mínima 0,05 MPa (0,5 bar) capacidade do tambor 52 litros
Velocidade da centrifugação	até 1.000 rotações por minuto
Programas de controlo segundo a norma EN 60456	programa 6; temperatura 60°C; realizado com carga de 7 kg.



Esta aparelhagem é em conformidade com as seguintes Directivas Comunitárias:
- 73/23/CEE de 19/02/73 (Baixa Tensão) e posteriores modificações
- 89/336/CEE dl 03/05/89 (Compatibilidade Electromagnética) e posteriores modificações.
- 2002/96/CE

Descrição da máquina de lavar roupa e como iniciar um programa

Painel de comandos



Gaveta dos detergentes: para colocar detergentes e aditivos (veja "Detergentes e roupa"). Dentro da gaveta dos detergentes está situado um indicador, com o qual é possível consultar em qualquer momento um esquema sintético dos programas.

Tecla de **LIGA/DESLIGA:** para ligar e desligar a máquina de lavar roupa.

Selector de **PROGRAMAS:** para programar os programas. Durante o programa o selector permanece parado.

Teclas com indicadores luminosos de **FUNÇÕES:** para seleccionar as funções disponíveis. O indicador luminoso correspondente à função seleccionada permanecerá aceso.

Selector de **CENTRIFUGAÇÃO:** para seleccionar a centrifugação ou desactivá-la (veja "Personalizações").

Selector da **TEMPERATURA:** para definir a temperatura ou a lavagem a frio (veja "Personalizações").

Indicadores **LUMINOSOS DE AVANÇO DO CICLO/ INÍCIO POSTERIOR:** para seguir o estado do avanço do programa de lavagem. O indicador luminoso aceso indica a fase em curso. Se tiver sido seleccionada a função "Início posterior", indicarão o tempo que falta para iniciar o programa (veja a página ao lado).

Indicador luminoso **PORTA BLOQUEADA:** para saber se a porta de vidro pode ser aberta (veja a página ao lado).

Tecla com indicador luminoso **INÍCIO/PAUSA:** para activar os programas ou interrompê-los momentaneamente.

Obs.: para colocar em pausa a lavagem em curso, carregar nesta tecla, o respectivo indicador luminoso ficará intermitente com uma luz laranja enquanto aquele da fase em curso ficará aceso fixo. Se o indicador **PORTA BLOQUEADA** estiver apagado, será possível abrir a porta de vidro.

Para fazer iniciar a lavagem do ponto em que foi interrompida, carregar novamente nesta tecla.

Indicadores luminosos

Os indicadores luminosos fornecem informações importantes.

Vejam os que significam:

Início posterior

Se tiver sido activada a função “Início posterior” (veja “Personalizações”) depois de ter iniciado o programa, começará a lampejar o indicador luminoso relativo ao atraso seleccionado.



Com o passar do tempo será mostrado o atraso restante, mediante o respectivo indicador luminoso aceso intermitente:



Depois de ter passado o atraso seleccionado, o indicador luminoso intermitente irá desligar-se e começará o programa estabelecido.

Iniciar um programa

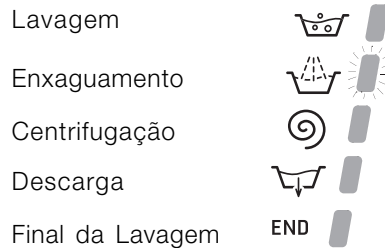
1. Para ligar a máquina de lavar roupa, mete na tecla de LIGA/DESLIGA. Todos os indicadores luminosos se acenderão por alguns segundos, em seguida apagam-se e ficará intermitente o indicador luminoso INÍCIO/PAUSA.
2. Coloque a roupa dentro da máquina e feche a porta.
3. Selecciona mediante o selector de PROGRAMAS o programa que desejar.
4. Selecciona a temperatura de lavagem (veja as “Personalizações”).
5. Selecciona a velocidade de centrifugação (veja as “Personalizações”).
6. Colocar detergentes e aditivos (veja “Detergentes e roupa”).
7. Selecciona as funções desejadas.
8. Iniciar o programa carregando na tecla INÍCIO/PAUSA e o respectivo indicador luminoso permanecerá aceso fixo de cor verde.

Para anular o ciclo programado, colocar a máquina em pausa carregando na tecla INÍCIO/PAUSA e escolher um novo ciclo.

9. No fim do programa, irá iluminar-se o indicador END. O indicador luminoso PORTA BLOQUEADA irá desligar-se indicando que a porta pode ser aberta. Retire a roupa lavada de dentro e deixe a porta entreaberta para deixar o tambor enxugar-se. Para desligar a máquina de lavar roupa, mete na tecla de LIGA/DESLIGA.

Indicadores luminosos fase em curso

Uma vez seleccionado e iniciado o ciclo de lavagem desejado, os indicadores luminosos se acenderão progressivamente para indicar o estado de avanço:



Teclas função e respectivos indicadores luminosos

Ao seleccionar uma função o respectivo indicador luminoso se acenderá.

Se a função seleccionada não for compatível com o programa definido, o indicador luminoso se acenderá intermitente e a função não será activada.

Se for seleccionada uma função incompatível com outra anteriormente seleccionada, permanecerá activa somente a última seleccionada.

Indicador luminoso porta bloqueada:

O indicador luminoso aceso indica que a porta está trancada para impedir aberturas acidentais; para evitar danos é necessário aguardar que o indicador luminoso se apague antes de abrir a porta.

Obs.: se estiver activa a função INÍCIO POSTERIOR a porta não poderá ser aberta, para abrir, colocar a máquina em pausa carregando na tecla INÍCIO/PAUSA.

! A intermitência rápida do indicador luminoso INÍCIO/PAUSA (laranja) contemporâneo ao indicador das funções, sinaliza uma anomalia (veja “Anomalias e soluções”).

Programas

Tabela dos programas

Programas	Descrição do Programa	Temp. max. (°C)	Velocidade max. (rotações por minuto)	Detergentes			Carga max. (Kg)	Duração ciclo
				Lixívia	Lavagem	Ama-ciador		
Programas Especiais								
6	Higienização: peças brancas extremamente sujas.	90°	1000	●	●	●	7	165
6	Higienização (1): brancos e coloridos resistentes muito sujos.	60°	1000	-	●	●	7	175
7	Ciclo Boa Noite: coloridos delicados pouco sujos.	40°	800	-	●	●	4	290
8	Ciclo Bébés: coloridos delicados muito sujos.	40°	800	-	●	●	2	118
9	Camisas	40°	600	-	●	●	2	70
10	Seda / Cortinas: para roupas de seda, viscosa, lingerie.	30°	0	-	●	●	2	55
11	Lã: para lã, cashmere, etc.	40°	600	-	●	●	1,5	55
Programas para todos os dias								
1	Algodão: brancos e coloridos resistentes muito sujos.	60°	1000	●	●	●	7	130
1	Algodão (2): brancos e coloridos delicados muito sujos.	40°	1000	●	●	●	7	115
2	Algodão Coloridos (3): brancos pouco sujos e cores delicadas.	40°	1000	●	●	●	7	85
3	Sintéticos: coloridos delicados muito sujos.	60°	800	-	●	●	3	85
3	Sintéticos delicados: coloridos resistentes pouco sujos.	40°	800	-	●	●	3	70
4	Mix 30': para refrescar rapidamente roupas levemente sujas (não é indicado para lã, seda e roupas que deve ser lavadas à mão).	30°	800	-	●	●	3	30
5	Mix 15': para refrescar rapidamente roupas levemente sujas (não é indicado para lã, seda e roupas que deve ser lavadas à mão).	30°	800	-	●	●	1,5	15
Programas Parciais								
A	Enxaguamentos	-	1000	-	-	●	7	44
B	Enxaguamentos Delicados	-	800	-	-	●	3	37
C	Centrifugação	-	1000	-	-	-	7	16
D	Centrifugação Delicados	-	800	-	-	-	3	12
E	Descarga	-	0	-	-	-	7	2

Os dados apresentados na tabela têm valor indicativo.

Para todos Test Institutes:

- 1) Programa de controlo segundo a norma EN 60456: configurar o programa 6 com uma temperatura de 60°C.
- 2) Programa longo para algodão: configurar o programa 1 com uma temperatura de 40°C.
- 3) Programa curto para algodão: configurar o programa 2 com uma temperatura de 40°C.

Programas especiais

Higienização (programa 6). Um programa higienizante com alta temperatura que prevê o uso de lixívia com temperaturas superiores aos 60°C. Para branquear, deite a lixívia, os detergentes e os aditivos nos respectivos compartimentos (veja o parágrafo "Gaveta dos detergentes").

Ciclo Boa noite (programa 7). É um ciclo silencioso que pode trabalhar de noite, quando a tarifa energética é reduzida. O programa foi estudado para roupas sintéticas e de algodão. No fim do ciclo, a máquina irá parar com água no tambor; para efectuar a centrifugação e a descarga mete na tecla INÍCIO/PAUSA, caso contrário, depois de 8 horas a máquina efectuará automaticamente a centrifugação e a descarga da água.

Ciclo Bébés (programa 8). Programa para remover a sujidade típica das roupas das crianças, garantindo a remoção do detergente para evitar alergias na pele delicada das crianças. O ciclo foi estudado para reduzir as bactérias utilizando uma maior quantidade de água e optimizando o efeito de aditivos específicos higienizantes, acrescentados ao detergente.

No fim da lavagem, a máquina efectuará lentas rotações do tambor para evitar a formação de dobras; para terminar o ciclo, mete na tecla INÍCIO/PAUSA.

Mix 30' (programa 4) foi estudado para lavar peças levemente sujas em pouco tempo: leva apenas 30 minutos e, desta maneira, economiza energia e tempo. Se regular o programa (4 a 30°C) será possível lavar juntos tecidos de natureza diferente (excepto lã e seda), com uma carga máxima de 3 Kg.

Mix 15' (programa 5) foi estudado para lavar peças levemente sujas em pouco tempo: leva apenas 15 minutos e, desta maneira, economiza energia e tempo. Se regular o programa (5 a 30°C) será possível lavar juntos tecidos de natureza diferente (excepto lã e seda), com uma carga máxima de 1,5 Kg.

Selecione a temperatura

Gire o selector da TEMPERATURA para seleccionar a temperatura de lavagem (veja a *Tabela dos programas*). A temperatura pode ser diminuída até a lavagem a frio (❄).

A máquina impedirá automaticamente a configuração de uma temperatura superior à máxima prevista para cada um dos programas.

Selecione a centrifugação

Gire o selector da CENTRIFUGAÇÃO para seleccionar a velocidade de centrifugação do programa seleccionado. As velocidades máximas que há para os programas são:

Programas	Velocidade máxima
Algodão	1000 rotações por minuto
Sintéticos	800 rotações por minuto
Lã	600 rotações por minuto
Seda	somente descarga

A velocidade de centrifugação pode ser diminuída, ou excluída se seleccionar o símbolo (🌀).

A máquina impedirá automaticamente a realização de uma centrifugação superior à máxima de cada um dos programas.

Funções

As várias funções de lavagem da máquina de lavar roupa possibilitam obter-se a limpeza e o branco que desejar. Para activar as funções:

1. mete na tecla relativa à função desejada;
2. o respectivo indicador luminoso acende-se para avisar que a função está activada.

Observação: Se um indicador luminoso acender-se intermitente, significa que a respectiva função não pode ser seleccionada para o programa definido.

Início posterior

Atrasa o início da máquina de até 12 horas.

Mete várias vezes na tecla até acender-se o indicador luminoso correspondente ao atraso desejado. A quinta vez que carregar na tecla, a função se desactivará.

Obs.: Depois de ter carregado na tecla INÍCIO/PAUSA, será possível mudar o valor do atraso somente para diminuí-lo.

! É activo com todos os programas.

Engomar fácil

Seleccionando esta função, a lavagem e a centrifugação serão oportunamente modificadas para reduzir a formação de rugas. No fim do ciclo, a máquina de lavar roupa efectuará lentas rotações do tambor; o indicador luminoso da função ENGOMAR FÁCIL e aquele de INÍCIO/PAUSA ficarão intermitentes (laranja) e a fase ENXAGUAMENTO permanecerá acesa fixa. Para terminar o ciclo, carregar no botão INÍCIO/PAUSA ou na tecla “ENGOMAR FÁCIL”.

No programa **Seda** a máquina terminará o ciclo com a roupa de molho e o indicador luminoso da função ENGOMAR FÁCIL irá piscar. Para descarregar a água e poder retirar a roupa é necessário carregar na tecla INÍCIO/PAUSA ou na tecla ENGOMAR FÁCIL.

! Não pode ser activada nos programas 4, 5, 6, 7, 8, 11, C, D, E.

Enxaguamento extra

Seleccionando esta função aumenta-se a eficácia da enxaguamento e garante-se a máxima remoção do detergente. É útil para quem tem a pele particularmente sensível.

! Não pode ser activada nos programas 4, 5, C, D, E.

Super lavagem

Graças ao uso de uma maior quantidade de água na fase inicial do ciclo e a uma maior duração, esta função garante uma lavagem de alto desempenho.

! Não pode ser activada nos programas 4, 5, 6, 10, 11, A, B, C, D, E.

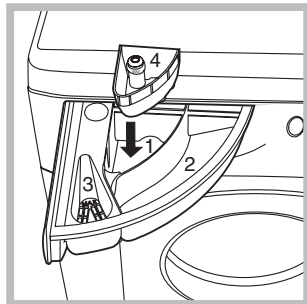
Detergentes e roupa

PT

Gaveta dos detergentes

O bom resultado da lavagem depende também do emprego da dose certa de detergente: com excessos não se lava de maneira mais eficaz, mas contribui-se para formar crostas nas peças internas da máquina de lavar roupa e poluir o meio ambiente.

! Não use detergentes para lavagem à mão, porque formam espuma demais.



Tire a gaveta dos detergentes e deite o detergente ou o aditivo da seguinte maneira:

gaveta 1: Detergente para pré-lavagem (em pó)

Antes de deitar detergente verifique se há dentro a gaveta adicional 4.

gaveta 2: Detergente para lavagem (em pó ou líquido)

O detergente líquido deve ser deitado somente depois da máquina ter arrancado.

gaveta 3: Aditivos (amaciador etc.)

O aditivo amaciador não deve ultrapassar a grade.

gaveta adicional 4: Água de Javel

Ciclo para branquear

O branqueamento pode ser efectuado somente com os programas **1, 2, 6**.

Deite a água de javel no recipiente adicional **4**, o detergente e o produto amaciador nos respectivos recipientes, em seguida programar um dos programas acima indicados.

É indicado apenas para roupas de algodão muito sujas.

Preparar a roupa

- Divida a roupa em função:
 - do tipo de tecido / do símbolo na etiqueta.
 - das cores: separe as peças coloridas das brancas.
- Esvazie as algibeiras e verifique se há botões soltos.
- Não ultrapasse os valores indicados que se referem ao peso da roupa enxuta:
 - Tecidos resistentes: máx. 7 kg.
 - Tecidos sintéticos: máx. 3 kg.
 - Tecidos delicados: máx. 2 kg.
 - Lã: máx. 1,5 kg.

Quanto pesa a roupa?

- 1 lençol 400 - 500 g.
- 1 fronha 150 - 200 g.
- 1 toalha de mesa 400 - 500 g.
- 1 roupão 900 - 1200 g.
- 1 toalha de rosto 150 - 250 g.

Peças especiais

Camisas: Utilize o programa específico **9** para lavar camisas de vários tipos de tecido e cores. Garante a máxima limpeza minimizando a formação de dobras.

Seda: utilize o programa específico **10** para lavar todas as roupas de seda. Aconselha-se o uso de um detergente específico para tecidos delicados.

Cortinas: dobre-as e coloque-as no saquinho fornecido com o produto. Utilize o programa **10**.

Lã: a Hotpoint/Ariston é a única máquina de lavar roupa que obteve o prestigioso reconhecimento Woolmark Platinum Care (M0508) por parte da The Woolmark Company, que certifica a lavagem à máquina de todas as roupas de lã, mesmo daquelas com etiqueta "lavar somente à mão" . Com o programa **11** teremos portanto a absoluta tranquilidade de lavar à máquina todas as peças de lã (max. 1,5 kg) com a garantia das melhores performances.

Sistema de balanceamento da carga

Antes de cada centrifugação, para evitar vibrações excessivas e para distribuir a carga em modo uniforme, o tambor efectua algumas rotações a uma velocidade levemente superior àquela de lavagem. Se no fim de repetidas tentativas a carga ainda não estiver correctamente balanceada, a máquina efectuará a centrifugação com uma velocidade inferior àquela prevista. No caso de um excessivo desbalanceamento, a máquina de lavar roupa efectuará a distribuição ao invés da centrifugação. Para favorecer uma melhor distribuição da carga e o seu correcto balanceamento, aconselha-se misturar peças grandes com peças pequenas.

! Esta máquina de lavar roupa foi projectada e fabricada em conformidade com os regulamentos internacionais de segurança. Estas advertências são fornecidas por razões de segurança e devem ser lidas com atenção.

Segurança geral

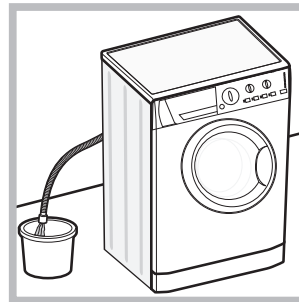
- Este aparelho foi projectado exclusivamente para um uso doméstico.
- Esta máquina de lavar roupa deve ser utilizada somente por pessoas adultas e conforme as instruções apresentadas neste manual.
- Não toque na máquina com os pés descalços nem com as mãos ou os pés molhados ou húmidos.
- Não puxe o cabo eléctrico para tirar a ficha da tomada, pegue a ficha mesmo.
- Não abra a gaveta dos detergentes enquanto a máquina estiver a funcionar.
- Não toque a água de descarga, que poderá chegar a temperaturas altas.
- Em nenhum caso force a porta para abri-la: poderá danificar o mecanismo de segurança que a protege contra aberturas acidentais.
- Se houver avarias, em nenhum caso mexa nos mecanismos internos para tentar reparar.
- Verifique sempre que criança não se aproximem da máquina a funcionar.
- Durante a lavagem a porta de vidro tende a aquecer-se.
- Se for preciso deslocá-la, são precisas pelo menos duas ou três pessoas, com a máxima atenção. Nunca sozinho porque a máquina é muito pesada.
- Antes de colocar a roupa verifique que o tambor esteja vazio.

Eliminação

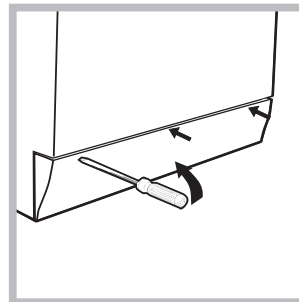
- Eliminação do material de embalagem: obedeça os regulamentos locais, de maneira que as embalagens possam ser reutilizadas.
- A directiva Europeia 2002/96/CE referente à gestão de resíduos de aparelhos eléctricos e electrónicos, prevê que os electrodomésticos não devem ser escoados no fluxo normal dos resíduos sólidos urbanos. Os aparelhos desactualizados devem ser recolhidos separadamente para otimizar a taxa de recuperação e reciclagem dos materiais que os compõem e impedir potenciais danos para a saúde humana e para o ambiente. O símbolo constituído por um contentor de lixo barrado com uma cruz deve ser colocado em todos os produtos por forma a recordar a obrigatoriedade de recolha separada. Os consumidores devem contactar as autoridades locais ou os pontos de venda para solicitar informação referente ao local apropriado onde devem depositar os electrodomésticos velhos.

Abertura manual da porta de vidro

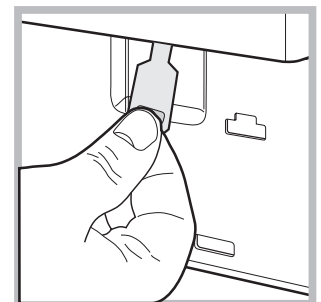
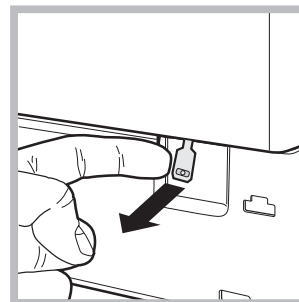
Caso não seja possível abrir a porta de vidro por falta de energia eléctrica e quiser pendurar a roupa lavada, proceda da seguinte maneira:



1. tire a ficha da tomada de corrente.
2. verifique que o nível de água no interior da máquina seja inferior respeito à abertura da porta de vidro; caso contrário, tirar a água em excesso através do tubo de descarga recolhendo-a num balde como indicado na figura.



3. tire o painel de cobertura da parte dianteira da máquina de lavar roupa com ajuda de uma chave de fendas (veja a figura).



4. utilizando a lingueta indicada na figura, puxe para o exterior até liberar o tirante de plástico do fecho; puxá-lo sucessivamente para baixo e contemporaneamente abrir a porta.

5. monte outra vez o painel, certifique-se, antes de empurrá-la na máquina, que os ganchos foram colocados nas respectivas ranhuras.

Manutenção e cuidados

PT

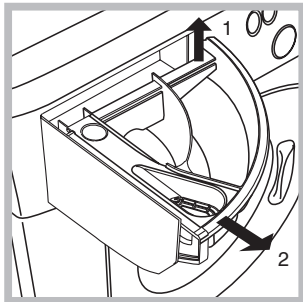
Interromper a alimentação de água e de corrente eléctrica

- Feche a torneira da água depois de cada lavagem. Desta maneira diminuiu-se o desgaste do sistema hidráulico da máquina de lavar roupa e elimina-se o risco de inundação.
- Tire a ficha da tomada eléctrica quando for limpar a máquina de lavar roupa e durante os trabalhos de manutenção.

Limpar a máquina de lavar roupa

A parte externa e as peças em borracha podem ser limpas com um pano molhado com água morna e sabão. Não empregue solventes nem abrasivos.

Limpar a gaveta dos detergentes



Para tirar a gaveta, erga-a e puxe-a para fora (veja a figura). Lave-a com água corrente; esta limpeza deve ser efectuada frequentemente.

Cuidados com a porta de vidro e o tambor

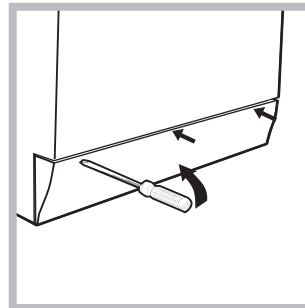
- Deixe a porta sempre entreaberta para evitar que se formem odores desagradáveis.

Limpar a bomba

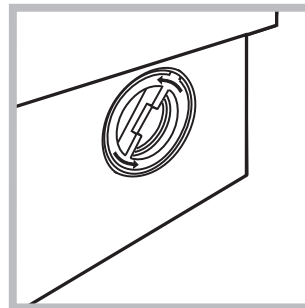
Esta máquina de lavar roupa é equipada com uma bomba com limpeza automática que não precisa de operações de manutenção. Entretanto pode acontecer que pequenos objectos (moedinhas, botões) caiam na pré-câmara que protege a bomba, situada na parte inferior da mesma.

! Certifique-se que o ciclo de lavagem tenha terminado e tire a ficha da tomada.

Para obter acesso à pré-câmara:



1. tire o painel de cobertura da parte dianteira da máquina de lavar roupa com ajuda de uma chave de fendas (veja a figura);



2. desenrosque a tampa girando-a no sentido anti-horário (veja a figura). É normal que perca um pouco de água;

3. limpe o interior com cuidado;
4. enrosque outra vez a tampa;
5. monte outra vez o painel, certifique-se, antes de empurrá-la na máquina, que os ganchos foram colocados nas respectivas ranhuras.

Verificar o tubo de alimentação de água

Verifique o tubo de alimentação pelo menos uma vez por ano. Se houver rachaduras ou fendas, será necessário substituí-lo: durante as lavagens as fortes pressões podem provocar repentinas quebras.

! Nunca utilize tubos já usados.

Pode acontecer que a máquina de lavar roupa não funcione. Antes de telefonar para a Assistência Técnica (veja "Assistência"), verifique se não se trata de um problema fácil de resolver com ajuda da seguinte lista.

Anomalias:

A máquina de lavar roupa não liga.

O ciclo de lavagem não inicia.

A máquina de lavar roupa não carrega a água (o indicador luminoso da primeira fase de lavagem pisca rapidamente).

A máquina de lavar roupa carrega e descarrega água continuamente.

A máquina de lavar roupa não descarrega ou nem realiza centrifugação.

A máquina de lavar roupa vibra muito durante a centrifugação.

Da máquina de lavar roupa está a perder água.

O indicador luminoso INÍCIO/PAUSA (laranja) e os indicadores das funções piscam rapidamente.

Está a formar-se demasiada espuma.

Possíveis causas / Solução:

- A ficha não está colocada na tomada eléctrica, ou não o suficiente para haver contacto.
- Em casa não há corrente.

- A porta de vidro não está bem fechada.
- O botão LIGA/DESLIGA não foi pressionado.
- O botão INÍCIO/PAUSA não foi pressionado.
- A torneira da água não está aberta.
- Foi programado um início posterior (veja as "Personalizações").

- O tubo de alimentação de água não está ligado na torneira.
- O tubo está dobrado.
- A torneira da água não está aberta.
- Está a faltar água em casa.
- Não há suficiente pressão.
- O botão INÍCIO/PAUSA não foi pressionado.

- O tubo de descarga não está instalado entre 65 e 100 cm de altura do chão (veja "Instalação").
- A ponta do tubo de descarga está imersa na água (veja "Instalação").
- Da descarga na parede não foi sangrado o ar.

Se depois destas verificações o problema não for resolvido, feche a torneira da água, desligue a máquina de lavar roupa e chame a assistência técnica. Se a morada encontrar-se nos últimos andares de um edifício, é possível que aconteçam fenómenos de sifão por causa dos quais a máquina de lavar roupa carrega e descarrega água continuamente. Para eliminar este inconveniente, há a disposição no comércio apropriadas válvulas contra o efeito sifão.

- No programa não há descarga: com alguns programas será necessário iniciar a descarga manualmente.
- Está activa a função ENGOMAR FÁCIL: para completar o programa mete na tecla INÍCIO/PAUSA (veja as "Personalizações").
- O tubo de descarga está dobrado (veja "Instalação").
- A conduta de descarga está entupida.

- O tambor, no momento da instalação, não foi liberado correctamente (veja "Instalação").
- A máquina não está nivelada (veja "Instalação").
- A máquina está apertada entre móveis e parede (veja "Instalação").

- O tubo de alimentação da água não está bem enroscado (veja "Instalação").
- O gaveta dos detergentes está entupida (para limpá-la veja "Manutenção e cuidados").
- O tubo de descarga não está fixado correctamente (veja "Instalação").

- Desligue a máquina e tire a ficha da tomada, aguarde aproximadamente 1 minuto e volte a ligá-la.
Se a anomalia persistir, contacte a Assistência Técnica.

- O detergente não é específico para máquina de lavar roupa (deve haver a escrita "para máquina de lavar", "à mão e para máquina de lavar" ou similares).
- A dose foi excessiva.

PT

Antes de contactar a Assistência Técnica:

- Verifique se consegue resolver a anomalia sozinho (*veja "Anomalias e soluções"*);
- Reinicie o programa para verificar se o inconveniente foi resolvido;
- Em caso negativo, contacte a o Centro de Assistência técnica autorizada no número de telefone indicado no certificado de garantia.

! Nunca recorra a técnicos não autorizados.

Comunique:

- o tipo de anomalia;
- o modelo da máquina (Mod.);
- o número de série (S/N).

Estas informações encontram-se na placa colocada na parte traseira da máquina de lavar roupa e na parte anterior abrindo a porta de vidro.

Free Manuals Download Website

<http://myh66.com>

<http://usermanuals.us>

<http://www.somanuals.com>

<http://www.4manuals.cc>

<http://www.manual-lib.com>

<http://www.404manual.com>

<http://www.luxmanual.com>

<http://aubethermostatmanual.com>

Golf course search by state

<http://golfingnear.com>

Email search by domain

<http://emailbydomain.com>

Auto manuals search

<http://auto.somanuals.com>

TV manuals search

<http://tv.somanuals.com>