



### Electronics/Power Supply

#### Cable

- 1 C4557-60022 Cable assembly - An 11 pin (F) connector to two 3 pin (F) connectors and a 7 pin (F) connector - 36.8cm (14.5 inches) long
- 2 C4557-80075 Carriage assembly flex cable - 40.3cm (15.9 inches) long
- 3 C5870-60140 Cable assembly - 12 pin (F) connector, 5 pin (F) connector, and 7 pin (F) connector - 43.9cm (17.3 inches) long

#### Keypad

- 4 C4557-60009 Keypad assembly

#### PC Board

- 5 C4557-60062 Banner PCA and cable assembly
- 6 C5870-60209 Ink cartridge carriage PCA  
NO LONGER SUPPLIED
- 7 C5870-69121 Main logic PCA  
NO LONGER SUPPLIED
- 8 C6409-60200 Paper encoder PCA - Controls operation of paper motor

#### Power Cord

- 9 8120-8336 Power cord (Quartz Gray) - 18 AWG, two conductor, 1.8m (6.0ft) long - Has straight (F) C7 receptacle (For 100V in Japan)
- 10 8120-8337 Power cord (Quartz Gray) - Two conductor, 1.8m (6.0ft) long - Has straight (F) C7 receptacle (For 240V in Australia and New Zealand)
- 11 8120-8341 Power cord (Quartz Gray) - 18 AWG, two conductor, 1.8m (6.0ft) long - Has straight (F) C7 receptacle (For 240V in the UK)
- 12 8120-8345 Power cord (Quartz Gray) - Two conductor, 1.8m (6.0ft) long - Has straight (F) C7 receptacle (For 240V in South Africa and India)
- 13 8120-8900 Power cord (Flint Gray) - 18 AWG, two conductor, 1.8m (6.0ft) long - Has straight (F) C7 receptacle (For 120V in the USA, Canada, Brazil, Latin America and Saudi Arabia)
- 14 8121-0023 Power cord (Flint Gray) - 18 AWG, two conductor, 1.8m (6.0ft) long - Has straight (F) C7 receptacle (For 220V in Europe, Asia Pacific, Germany, Spain, France, Netherlands, Switzerland, Italy, and Portugal)

#### Power Module

- 15 C6409-60014 Power Supply Module - 100V-240V, 50/60Hz - Requires separate AC power cord - For worldwide use

### External Case Parts

#### Cover

- 16 C4557-40053 Main logic PCA cover - Has cut outs for the parallel interface socket and the power module socket
- 17 C4557-60020 Left side case
- 18 C6409-60162 Right side case

#### Door

- 19 C5870-40045 Top/front access door - Print cartridge access door - Solid door without a window opening
- 20 C6458-60001 Top/front access door assembly - Print cartridge access door with strawberry colored window - Includes installation instructions
- 21 C6458-60002 Top/front access door assembly - Print cartridge access door with strawberry colored window - Includes installation instructions
- 22 C6459-60001 Top/front access door assembly - Print cartridge access door with lime window - With installation instructions
- 23 C6459-60002 Top/front access door assembly - Print cartridge access door with lime colored window - Without installation instructions
- 24 C6460-60001 Top/front access door assembly - Print cartridge access door with tangerine colored window - With installation instructions
- 25 C6460-60002 Top/front access door assembly - Print cartridge access door with tangerine window - Without installation instructions
- 26 C6461-60001 Top/front access door assembly - Print cartridge access door with grape colored window - With installation instructions
- 27 C6461-60002 Top/front access door assembly - Print cartridge access door with grape colored window - Without installation instructions
- 28 C6462-60001 Top/front access door assembly - Print cartridge access door with blueberry colored window - With installation instructions



### External Case Parts

#### Door

- 29 C6462-60002 Top/front access door assembly - Print cartridge access door with blueberry colored window - Without installation instructions  
NO LONGER SUPPLIED
- 30 C6409-40014 I/O and power input cable covering door
- 31 C4557-60076 Rear cleanout door assembly - Paper jam cleanout door

#### Foot

- 32 C4557-40118 Rubber foot

#### Knob

- 33 C4557-40090 Rear cleanout door knob

#### Label

- 34 C4557-80057 Front panel label - Includes kodak image enhancements

#### Nameplate/Logo

- 35 C5894-40001 Nameplate - DeskJet 710C printer  
NO LONGER SUPPLIED
- 36 C5894-40002 Nameplate - DeskJet 712C printer  
NO LONGER SUPPLIED

#### Plate

- 37 C4557-40014 Back Plate - Holds Latch Spring, Knob and Latch Components of Rear Cleanout Assembly

### Interface Cables

#### Cable (Interface)

- 5063-1256 IEEE-1284 Bi-Tronics parallel cable - DB-25 (M) connector (type A) to 36 pin Centronics (M) connector (type B) - 2.0m (6.6ft) long
- 5063-1257 IEEE-1284 Bi-Tronics parallel cable - DB-25 (M) connector (type A) to 36 pin Centronics (M) connector (type B) - 3.0m (9.8ft) long
- C2950A IEEE-1284 Bi-Tronics parallel cable - DB-25 (M) connector (type A) to 36 pin Centronics (M) connector (type B) - 2.0m (6.6ft) long
- 5063-1256 *New Part for C2950A*
- C2951A IEEE-1284 Bi-Tronics parallel cable - DB-25 (M) connector (type A) to 36 pin Centronics (M) connector (type B) - 3.0m (9.8ft) long
- C2990A IEEE-1284 Bi-Tronics parallel cable - DB-25 (M) (type A) to 36 pin (M) Centronics (type B) - 1.8m (6ft) long  
NO LONGER SUPPLIED
- C2991A IEEE-1284 Bi-Tronics parallel cable - DB-25 (M) (type A) to 36 pin (M) Centronics (type B) - 3.0m (10ft) long  
NO LONGER SUPPLIED

### Other Accessories

#### CD-ROM (Support)

- C6450-60020 DeskJet and DeskWriter service manual on CD-ROM - Version 4.1
- C6450-60021 DeskJet and DeskWriter service manual on CD-ROM - Version 4.1

#### Cartridge

- 44 51645A Black print cartridge (High capacity) - Prints approximately 840 pages based on 5% density on a 8 inch by 10 inch print area (for USA)
- 45 51645AA Black print cartridge (High capacity) - Prints approximately 840 pages based on 5% density on a 8 inch by 10 inch print area (for Asia/Pacific)
- 46 51645AC Black print cartridge (high capacity) - Prints approximately 840 pages based on 5% density on a 8 inch by 10 inch print area (for Canada)
- 47 51645AE Black print cartridge (high capacity) - Prints approximately 840 pages based on 5% density on a 8 inch by 10 inch print area (for Europe)
- 48 51645AL Black print cartridge (high capacity) - Prints approximately 840 pages based on 5% density on a 8 inch by 10 inch print area (for Latin America)



### Other Accessories

#### Cartridge

49	51645G	Black print cartridge (economy) - Prints approximately 415 pages based on 5% density on a 8 inch by 10 inch print area (for USA)
50	51645GA	Black print cartridge (economy) - Prints approximately 415 pages based on 5% density on a 8 inch by 10 inch print area (for Asia/Pacific)
51	51645GC	Black print cartridge (economy) - Prints approximately 415 pages based on 5% density on a 8 inch by 10 inch print area (for Canada)
52	51645GE	Black print cartridge (economy) - Prints approximately 415 pages based on 5% density on a 8 inch by 10 inch print area (for Europe)
53	51645GL	Black print cartridge (economy) - Prints approximately 415 pages based on 5% density on a 8 inch by 10 inch print area (for Latin America)
54	C1823A	Tri-color ink print cartridge - Prints approximately 475 pages based on 13.5% total density (4.5% for each colors) on a 8 inch by 10 inch print area (for USA)
	C1823D	<i>New Part for C1823A</i>
55	C1823AA	Tri-color ink print cartridge - Prints approximately 475 pages based on 13.5% total density (4.5% for each colors) on a 8 inch by 10 inch print area (for Asia/Pacific)
56	C1823AC	Tri-color ink print cartridge - Prints approximately 475 pages based on 13.5% total density (4.5% for each colors) on a 8 inch by 10 inch print area (for Canada)
57	C1823AE	Tri-color ink print cartridge - Prints approximately 475 pages based on 13.5% total density (4.5% for each colors) on a 8 inch by 10 inch print area (for Europe)
58	C1823AL	Tri-color ink print cartridge - Prints approximately 475 pages based on 13.5% total density (4.5% for each colors) on a 8 inch by 10 inch print area (for Latin America)
59	C1823D	Tri-color ink print cartridge - Prints approximately 360 pages based on 13.5% total density (4.5% for each color) on a 8 inch by 10 inch print area (for USA)
60	C1823DA	Tri-color ink print cartridge - Prints approximately 360 pages based on 13.5% total density (4.5% for each color) on a 8 inch by 10 inch print area (for Asia/Pacific)
61	C1823DC	Tri-color ink print cartridge - Prints approximately 360 pages based on 13.5% total density (4.5% for each color) on a 8 inch by 10 inch print area (for Canada)
62	C1823DE	Tri-color ink print cartridge - Prints approximately 360 pages based on 13.5% total density (4.5% for each color) on a 8 inch by 10 inch print area (for Europe)
63	C1823DL	Tri-color ink print cartridge - Prints approximately 360 pages based on 13.5% total density (4.5% for each color) on a 8 inch by 10 inch print area (for Latin America)
64	C1823G	Tri-color ink economy print cartridge - Prints approximately 180 pages based on 13.5% total density (4.5% for each color) on a 8 inch by 10 inch print area (for USA)
65	C1823GA	Tri-color ink economy print cartridge - Prints approximately 180 pages based on 13.5% total density (4.5% for each color) on a 8 inch by 10 inch print area (for Asia/Pacific)
66	C1823GE	Tri-color ink economy print cartridge - Prints approximately 180 pages based on 13.5% total density (4.5% for each color) on a 8 inch by 10 inch print area (for Europe)
67	C1823GL	Tri-color ink economy print cartridge - Prints approximately 180 pages based on 13.5% total density (4.5% for each color) on a 8 inch by 10 inch print area (for Latin America)
68	C1823T	Tri-color ink cartridges (2 pack of C1823D) - Each prints approximately 360 pages on 13.5% total density (4.5% for each color) on a 8 inch by 10 inch print area (for USA)
69	C1823TA	Tri-color ink cartridges (2 pack of C1823D) - Each prints approximately 360 pages on 13.5% total density (4.5% for each color) on a 8 inch by 10 inch print area (for Asia/Pacific)
70	C1823TE	Tri-color ink cartridges (2 pack of C1823D) - Each prints approximately 360 pages on 13.5% total density (4.5% for each color) on a 8 inch by 10 inch print area (for Europe)
71	C1823TL	Tri-color ink cartridges (2 pack of C1823D) - Each prints approximately 360 pages on 13.5% total density (4.5% for each color) on a 8 inch by 10 inch print area (for Latin America)
72	C6613AN	Black print cartridges (High capacity) - (2 pack of 51645A) each prints approximately 840 pages based on 5% density on a 8 inch (20.3cm) by 10 inch (25.4cm) print area (for USA) NO LONGER SUPPLIED
73	C6618AN	Tri-color ink cartridges (2 pack of C1823D) - Each prints approximately 360 pages on 13.5% total density (4.5% for each color) on a 8 inch (20.3cm) by 10 inch (25.4cm) print area (for USA) NO LONGER SUPPLIED



### Other Accessories

#### Door (Product)

76	C6458A	Top/front access door assembly - Print cartridge access door with Strawberry colored window - Replaces the existing door
77	C6459A	Top/front access door assembly - Print cartridge access door with Lime colored window - Replaces the existing door
78	C6460A	Top/front access door assembly - Print cartridge access door with Tangerine colored window - Replaces the existing door
79	C6461A	Top/front access door assembly - Print cartridge access door with grape colored window - Replaces the existing door
80	C6462A	Top/front access door assembly - Print cartridge access door with blueberry colored window - Replaces the existing door

#### Manual

C5894-60112	DeskJet 710C/712C user's guide (English) NO LONGER SUPPLIED
C5894-60113	DeskJet 710C/712C user's guide (French) NO LONGER SUPPLIED
C5894-60114	DeskJet 710C/712C user's guide (Japanese) NO LONGER SUPPLIED
C5894-60115	DeskJet 710C/712C user's guide (Portuguese) NO LONGER SUPPLIED
C5894-60116	DeskJet 710C/712C user's guide (Spanish) NO LONGER SUPPLIED
C5894-60117	DeskJet 710C/712C user's guide (Arabic) NO LONGER SUPPLIED
C5894-60118	DeskJet 710C/712C user's guide (Czechoslovakian) NO LONGER SUPPLIED
C5894-60119	DeskJet 710C/712C user's guide (Danish) NO LONGER SUPPLIED
C5894-60120	DeskJet 710C/712C user's guide (Dutch) NO LONGER SUPPLIED
C5894-60121	DeskJet 710C/712C user's guide (Finnish) NO LONGER SUPPLIED
C5894-60122	DeskJet 710C/712C user's guide (German) NO LONGER SUPPLIED
C5894-60123	DeskJet 710C/712C user's guide (Greek) NO LONGER SUPPLIED
C5894-60124	DeskJet 710C/712C user's guide (Hebrew) NO LONGER SUPPLIED
C5894-60125	DeskJet 710C/712C user's guide (Hungarian) NO LONGER SUPPLIED
C5894-60126	DeskJet 710C/712C user's guide (Italian) NO LONGER SUPPLIED
C5894-60127	DeskJet 710C/712C user's guide (Korean) NO LONGER SUPPLIED
C5894-60128	DeskJet 710C/712C user's guide (Norwegian) NO LONGER SUPPLIED
C5894-60129	DeskJet 710C/712C user's guide (Polish) NO LONGER SUPPLIED
C5894-60130	DeskJet 710C/712C user's guide (Russian) NO LONGER SUPPLIED
C5894-60131	DeskJet 710C/712C user's guide (Simplified Chinese) NO LONGER SUPPLIED
C5894-60132	DeskJet 710C/712C user's guide (Swedish) NO LONGER SUPPLIED

**Other Accessories****Manual**

- C5894-60133 DeskJet 710C/712C user's guide (Traditional Chinese)  
NO LONGER SUPPLIED
- C5894-60134 DeskJet 710C/712C user's guide (Thai)  
NO LONGER SUPPLIED
- C5894-60135 DeskJet 710C/712C user's guide (Turkish)  
NO LONGER SUPPLIED

**Restraint**

- C6409-80031 Right carriage restraint - Used to protect the carriage assembly from damage during shipment

**Retainer**

- C6409-80030 Left carriage retainer - Protects the carriage assembly from damage during shipment

**Return Kit**

- 5183-5268 Return kit with box and instructions - For returning defective Thermal InkJet (TIJ) 2.5 InkJet cartridges covered under the CREW program - For USA
- 5184-2833 Return kit with box and instructions - For returning defective Thermal InkJet (TIJ) 2.5 InkJet cartridges covered under the CREW program - For use outside of the USA

**Training Kit**

- 5183-3032 ASP training kit - Service manual CD-ROM and NTSC training videos for 400, 540, 600, and 700 family DeskJet printers  
NO LONGER SUPPLIED

**Other Internal Parts****Brace**

- 110 C4557-40128 Left backBone brace - Provides support for backBone
- 111 C4557-40130 Left wall brace - Provides support for left wall
- 112 C5870-40020 Right backbone brace - Installed on right side of printer base to provide support for backbone

**Ferrite Assembly**

- 113 9170-1655 Ferrite core

**Frame**

- 114 C5870-40039 Wing frame - Chassis for in/out tray components

**Shield**

- 115 C4557-00038 Paper motor ESD shield
- 116 C4557-00040 Main logic board EMI shield

**Spring**

- 117 C4557-00042 EMI spring - Provides grounding point between upper paper guide hanger and EMI shield  
NO LONGER SUPPLIED

**Paper Tray Parts****Cam**

- 161 C4557-40034 Drawer cam - Short, spring loaded lever attached to the base of the wing frame - Used to draw input tray into position

**Channel**

- 162 C5870-00006 Width adjust channel

**Door**

- 163 C4557-40026 Output door - Separates output media from input media

**Guide**

- 164 C5870-40037 Length adjuster - Media input length adjuster  
NO LONGER SUPPLIED
- 165 C6409-40034 Left wall pusher - Pushes against left side of media to maintain correct edge alignment
- 166 C6411-40004 Width adjust (Gray) - Holds media against right wall of input tray  
NO LONGER SUPPLIED

**Paper Tray Parts****Lever**

167 C6411-40006 Banner lever - Used to choose either single sheet paper or continuous feed (Banner) paper  
NO LONGER SUPPLIED

**Pad**

168 C4557-80027 Length adjust pad (Poron) - Mounted under the fine length adjuster

**Panel**

169 C4557-40098 Paper tray left inner panel (Left cheek cap)  
170 C4557-40099 Paper tray right inner panel (Right cheek cap)  
NO LONGER SUPPLIED  
171 C4557-40116 Paper tray left outer panel (Left cheek)  
172 C5870-40019 Paper tray right outer panel (Right cheek)

**Spring**

173 C4557-00012 Right wing spring - Applies pressure to right wing during paper output  
NO LONGER SUPPLIED  
C6409-00017 *New Part for C4557-00012*  
174 C4557-00029 Left wall spring (Front) - Holds left wall assembly in position  
175 C4557-00030 Left wall spring (Rear) - Provides pressure against media  
176 C4557-00031 Paper length adjuster spring - Provides tension for paper input length adjuster  
C6455-00011 *New Part for C4557-00031*  
177 C4557-00035 Paper pusher spring - Maintains alignment in paper tray  
178 C4557-20020 Envelope spring - Holds envelopes in position for picking  
179 C6409-00017 Wing torsion spring - Provides pressure on the wing during paper output  
NO LONGER SUPPLIED

**Stop**

180 C6411-40005 Fine paper length adjuster (Gray) - Holds paper firmly against the back of the paper input tray

**Tray**

181 C4557-60049 Paper input tray pressure plate  
182 C5870-40028 Paper input tray base - Does not include the pressure plate assembly

**Tray Assembly**

183 C5870-60081 Paper input tray assembly (partial) - Includes only base of tray and pressure plate assembly  
184 C6411-60004 Paper tray left side assembly (Left cheek assembly) - Includes left cheek, banner PCA and cable assembly, banner switch lever  
NO LONGER SUPPLIED

**Wing**

185 C4557-40024 Left wing - Holds printed paper after being ejected  
186 C4557-40025 Right wing - Holds printed paper after being ejected

**Paper and Other Media****Film (Transparency)**

C3832A Premium InkJet transparency film - A4 size (21.0cm x 29.7cm) - 20 sheets per package  
C3835A Premium InkJet transparency film - A4 size (21.0cm x 29.7cm) - 50 sheets per package  
C6053A Premium InkJet rapid-dry transparencies - A4 size (21.0cm x 29.7cm) - 50 sheets per package  
NO LONGER SUPPLIED  
C3828A Premium InkJet transparency film - A size (8.5 x 11-inches) - 20 sheets per package  
C3834A Premium InkJet transparency film - A size (8.5 x 11-inches) - 50 sheets per package  
C6051A Premium InkJet rapid-dry transparencies - A size (8.5 x 11-inches) - 50 sheets per package  
NO LONGER SUPPLIED

**Paper and Other Media****Greeting Card Kit**

C6587AN Printable Expressions all occasions card kit - Includes 20 greeting cards and envelopes, and a CD-ROM with 24 original pieces of art  
NO LONGER SUPPLIED

**Iron-On Transfers**

C6065A Iron-on T-shirt transfers - A4 size (21.0cm x 29.7cm) - 10 sheets per package (Asia)  
C6050A Iron-on T-shirt transfers - A4 size (21.0cm x 29.7cm) - 10 sheets per package  
C6049A Iron-on T-shirt transfers - A size (8.5 x 11-inches) - 10 sheets per package

**Paper**

C6828A Greeting card paper pack (White) - A size (8.5 x 11-inches) - Felt textured - Includes 20 sheets and 20 envelopes  
C6042A Greeting card paper pack (White) - A4 size (21.0cm x 29.7cm) - Includes 20 sheets and 20 envelopes  
C1812A Greeting card paper pack (White) - A size (8.5 x 11-inches) - Includes 20 sheets and 20 envelopes

**Paper (Banner)**

C1821A Banner paper - A4 size (21.0cm x 29.7cm) - Perforated for easy separation - 100 sheets per pack  
C1820A Banner paper - A size (8.5 x 11-inches) - 24 lb - Perforated for easy separation - 100 sheets per pack

**Paper (Glossy)**

C3837A Premium glossy InkJet paper - A4 size (21.0cm x 29.7cm) - 50 sheets per package  
C6045A Glossy greeting cards - A4 size (21.0cm x 29.7cm) - 10 scored glossy cards and envelopes  
C6044A Glossy greeting cards - A size (8.5 x 11-inches) - 10 scored glossy cards and envelopes  
C6817A Professional glossy InkJet brochure and flyer paper - Glossy on both sides - A size (8.5 x 11-inches) - 50 sheets per box

**Paper (InkJet Photo)**

C6983A Photo quality InkJet paper - With two sided semi-gloss finish - A size (8.5 x 11-inches) - 25 sheets per package  
C7007A Photo quality InkJet paper - With two sided matte finish - A size (8.5 x 11-inches) - 100 sheets per package

**Paper (InkJet)**

51634Z InkJet non-glossy LX paper - A4 size (21.0cm x 29.7cm) - 200 sheets per package  
C1825A Bright white InkJet paper - A4 size (21.0cm x 29.7cm) - 500 sheets per package  
C1853A Premium InkJet heavyweight paper - A4 size (21.0cm x 29.7cm) - Coated on both sides - 100 sheets per package  
C5977A Bright white InkJet paper - A4 size (21.0cm x 29.7cm) - 200 sheets per package  
C5977B Bright white InkJet paper - A4 size (21.0cm x 29.7cm) - 250 sheets per package  
51634Y InkJet non-glossy LX paper - A size (8.5 x 11-inches) - 200 sheets per package  
C1824A Bright white InkJet paper - A size (8.5 x 11-inches) - 500 sheets per package  
C5976A Bright white InkJet paper - A size (8.5 x 11-inches) - 200 sheets per package  
C5976B Bright white InkJet paper - A size (8.5 x 11-inches) - 250 sheets per package

**Paper (Matte)**

C7018A Matte greeting cards (White) - Half fold - A size (8.5 x 11-inches)  
C6955A Professional and flyer paper (Matte) - A size (8.5 x 11-inches) - 50 sheets

**Paper (Photo)**

C6979A Premium glossy photo paper (fast dry time) - A size (8.5 x 11-inches) - 50 sheets per package  
C1847A Photo paper - A4 size (21.0cm x 29.7cm) - 20 sheets per package  
C6040A Premium glossy photo paper - A4 size (21.0cm x 29.7cm) - 15 sheets per package (Europe, Brazil, and Argentina)  
C6043A Premium glossy photo paper - A4 size (21.0cm x 29.7cm) - 15 sheets per package (Japan)  
C6057A Premium glossy photo paper - A4 size (21.0cm x 29.7cm) - 20 sheets per package  
NO LONGER SUPPLIED  
C1846A Photo paper - A size (8.5 x 11-inches) - 20 sheets per package  
C6039A Premium glossy photo paper (Fast dry time) - A size (8.5 x 11-inches) - 15 sheets per package

### Paper and Other Media

#### Paper (Photo)

- C6055A Deluxe glossy photo paper - A size (8.5 x 11-inches) - 20 sheets per pack - For use with DeskJet KIE-logo printers
- C6039A *New Part for C6055A*

#### Paper (Textured)

- C7019A Textured greeting card - White half fold - A size (8.5 inches x 11 inches)

#### Stickers

- C6822A Round re-stickable InkJet stickers - HP bright white 6.35cm (2.5in) round stickers with 3M 'Post-it' adhesive - A size (8.5 x 11-inches) - 10 sheets per package with nine stickers per sheet
- C6823A Square re-stickable InkJet stickers - HP bright white 6.35cm (2.5in) square stickers with 3M 'Post-it' adhesive - A size (8.5 x 11-inches) - 10 sheets per package with nine stickers per sheet

### Print Mechanism Parts

#### Adjuster

- 187 C6409-40021 Carriage rod adjuster - Used to support and align the carriage rod (2 used) - This item should be replaced only by trained, experienced service personnel  
NO LONGER SUPPLIED

#### Backbone

- 188 C6409-00013 BackBone - Large metal item where the main logic PCA and the carriage drive motor are mounted - This item should be replaced only by trained, experienced service personnel

#### Belt

- 189 C4557-40049 Carriage drive belt - Moves printhead side to side  
NO LONGER SUPPLIED

#### Blade

- 190 C2145-00037 ESD blade - Installed between cartridge and carriage PCA ESD blade - Installed between cartridge and carriage PCA

#### Bracket

- 191 C5870-00010 Paper motor mounting bracket

#### Cam

- 192 C6409-40040 Pick cam - Controls pressure plate and lever  
NO LONGER SUPPLIED

#### Carriage

- 193 C6409-40031 Ink cartridge carriage
- 194 C6409-60003 Ink cartridge carriage assembly - This item should be replaced only by trained, experienced service personnel

#### Encoder

- 195 C4557-80019 Paper motor encoder disk

#### Flag

- 196 C5870-40024 OOPS flag - Media sensor - Mounts on the top right edge of the upper paper guide

#### Gear

- 197 C4557-40007 Pick gear
- 198 C4557-40021 Feed roller idler gear
- 199 C4557-40095 Encoder gear
- 200 C4557-40102 Feed roller cluster gear

#### Guide

- 201 C4557-40013 Rear paper guide - Guides media through rear of printer
- 202 C4557-40020 Lower guide - Platform for separator peg, spring and pad
- 203 C4557-40121 Paper encoder disk guide
- 204 C6409-40022 Upper paper guide - Guides media through paper path  
NO LONGER SUPPLIED



**Print Mechanism Parts**
**Latch**

- 205 C4557-40042 Plastic latch (Y-shaped) - Used in conjunction with the knob to hold the rear paper cleanout door assy in place
- 206 C4557-60045 Cartridge latch (Black) - Holds black ink cartridge in place  
NO LONGER SUPPLIED
- 207 C4557-60046 Cartridge latch (Color) - Holds color ink cartridge in place

**Lever**

- 208 C4557-00037 Pressure plate lever - Transfers upward pressure from the separator lifter to the kicker
- 209 C5870-40022 Paper pusher - Small, spring loaded lever attached to pivot - Pushes against left side of paper to maintain right edge alignment

**Lifter**

- 210 C4557-40063 Separator lifter - Used to lift the separator peg

**Link**

- 211 C6429-60025 Kicker bar cam link (Spring loaded)

**Motor**

- 212 C4557-60003 Carriage motor assembly (Includes pulley)
- 213 C6409-60004 Paper advance motor

**Paper Stacker**

- 214 C4557-40016 Kicker - Restacks paper in stack after top sheet is picked

**Pin**

- 215 C4557-40085 Link pin - Small plastic piece  
C6429-60025 *New Part for C4557-40085*
- 216 C5870-40029 Separator peg

**Plate**

- 217 C6409-40028 Belt Attachment Plate - Mounted to back of Ink Cartridge Carriage Assembly - Used to attach the Carriage Drive Belt

**Print Mechanism**

- 218 C5870-69080 Print mechanism assembly - Complete mechanism with carriage movement, paper picking and service station operations  
NO LONGER SUPPLIED

**Retainer**

- 219 C4557-00024 Ferrite retainer - Holds head drive flex cable ferrite
- 220 C4557-20026 Felt retainer - Holds the lubricating felt to the side of the carriage

**Rod**

- 221 C6409-20004 Carriage rod - Shaft that the carriage assembly rides on - This item should be replaced only by trained, experienced service personnel

**Roller**

- 222 C4557-20002 Pinch roller - Provides downward pressure on media as it passes by upper paper guide
- 223 C4557-40015 Rear roller (Black) - Between paper and rear paper guide  
NO LONGER SUPPLIED
- 224 C4557-60025 Pivot feed roller - Shaft with 4 hard rollers - Does not include other items such as gear or encoder
- 225 C5870-40030 Postscan roller - Shaft with 2 rollers - Mounts on underside of the lower ADF chassis
- 226 C5870-60092 Pickup roller assembly - Shaft with large rollers, gear, and 2 bearings - Picks paper from paper input tray - Available for trade sales in Europe and Asia/Pacific - Available for authorized service centers only in USA
- 227 C6409-60037 Pivot feed roller assembly - Shaft with small rollers and paper encoder - This item should be replaced only by trained, experienced service personnel
- 228 C6426-60049 Pickup roller - Shaft with large rollers - Does not include other items such as gear or bearings

**Print Mechanism Parts****Separator**

229 C4557-60011 Separator pad

**Shaft**

230 C4557-20027 Cartridge latch shaft near top of carriage - Used to hold cartridge latches in place

**Shift Plate**

231 C6455-60057 Shift plate assembly - Five plastic gears held in a two piece plastic frame - Attaches to feedroller assembly

**Slide**

232 C5870-40036 Integrated slider for carriage assembly

**Snap**

233 C4557-40150 Pivot snap - Used to hold pivot to pick feed roller shaft

**Spring**

234 C2145-00033 ESD spring between ESD blade and carriage PCA

235 C4557-00009 Separator spring - Provides pressure between separator assembly and the center drive roller

236 C4557-00011 Drawer spring - Holds input drawer in place

237 C4557-00017 Belt tension spring - Provides tension for carriage belt

238 C4557-00018 Encoder spring - Provides tension for encoder strip

239 C4557-00033 Link spring - Provides tension to shaft of pick cam gear

240 C4557-20003 Rear roller spring - Flexible axle for rear roller

241 C4557-20007 Pinch spring - Provides tension on upper paper guide

242 C4557-20009 Latch spring - Provides friction for rear access door knob

243 C4557-20024 Shifter spring - Provides tension on the pivot

244 C4557-20028 EOR tension spring - Maintains tension on wear strip

245 C5870-20002 Paper stacker (kicker) spring

**Strip**

246 C4557-80001 Encoder strip - Clear strip with position marks - Used by the sensor in the carriage assembly to determine position

247 C5870-00004 Wear strip - Long, spring loaded strip mounted in top of backbone - Used to ensure smooth ink cartridge carriage motion

**Support**

248 C6409-00008 Upper paper guide support - Base for upper paper guide  
NO LONGER SUPPLIED

**Turnaround Assembly**

249 C4557-60109 Turnaround assembly - Provides carriage belt tension - Does not include spring

**Washer**

250 C4557-80002 Felt washer - Used to lubricate the carriage rod

**Service Station Parts****Absorber**

251 C5870-80007 Spittoon sponge - Absorbs excess ink from cartridges

**Bonnet**

252 C5870-40016 Service station bonnet - Top cover of the spittoon - Has cutout for pallet/link assembly

**Clip**

253 C5870-00002 Service station ESD grounding clip

**Gear**

254 C4557-40079 Transfer gear (Double gear)

255 C5870-40017 Cluster gear (Large gear)



### Service Station Parts

#### Motor

256 C5870-60004 Service station motor assembly - Includes PC board and gear

#### Pallet

257 C6426-60054 Pallet/link assembly - Installed between spittoon and sled cap assembly - Mounting platform for the wiper and capping systems parts

#### Shaft

258 C4557-40066 Drive shaft with molded gears on each end - Inside the service station spittoon assembly

#### Sled

259 C4557-60013 Sled cap assembly - Top cover of the service station assembly - Includes print cartridge caps (gaskets which keep the cartridges from drying out when not printing)

#### Snap

260 C4557-40069 Cap snap - Installed between pallet/link assembly and sled cap assembly - Used to hold the cap spring

#### Spittoon

261 C5870-40014 Spittoon base - The bottom of the service station assembly

#### Spring

262 C4557-00026 Cap spring - Provides pressure to cap parked print cartridges

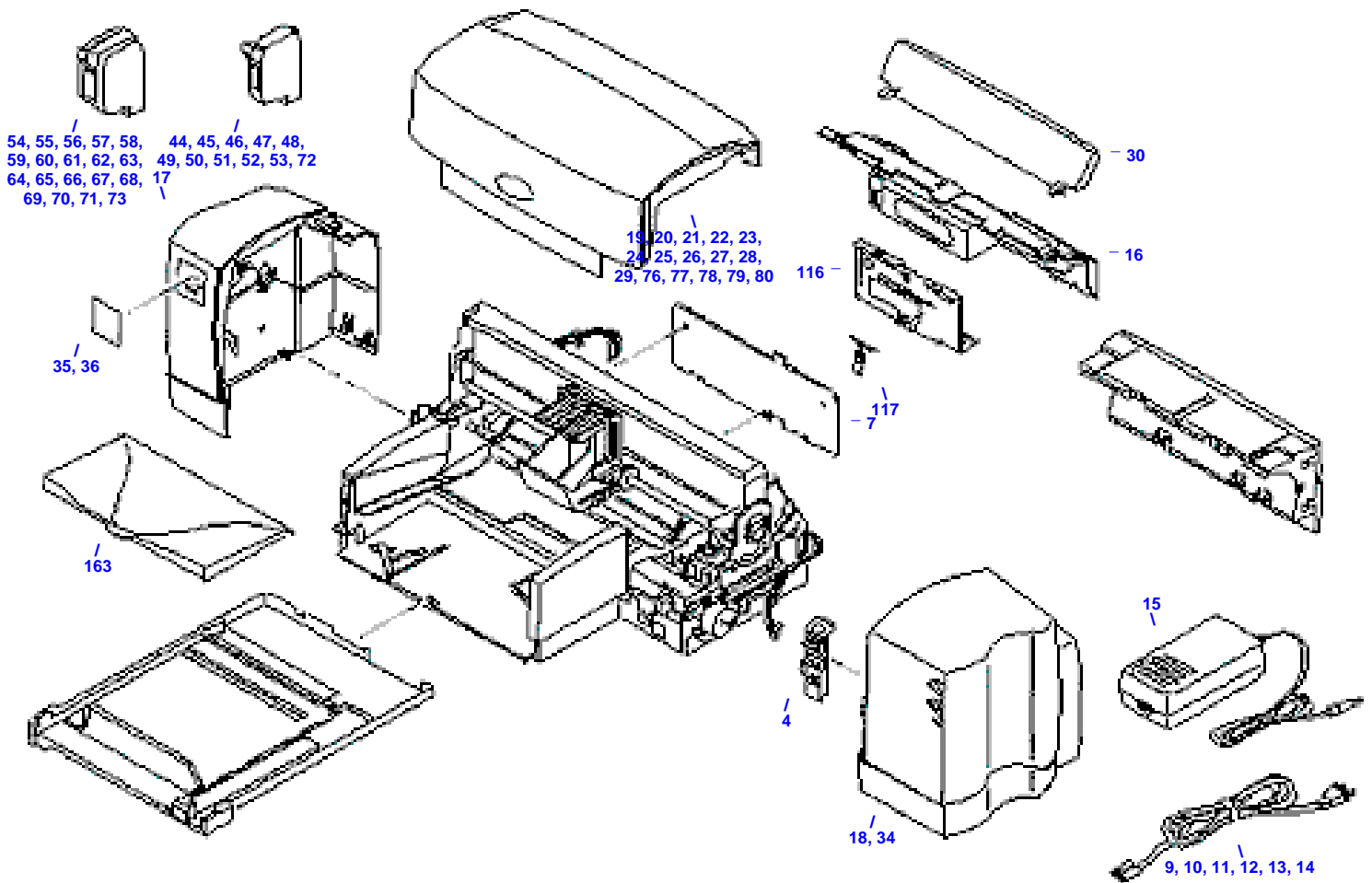
#### Vent

263 C4557-40068 Cap vent - For equalizing the print cartridge capping pressure

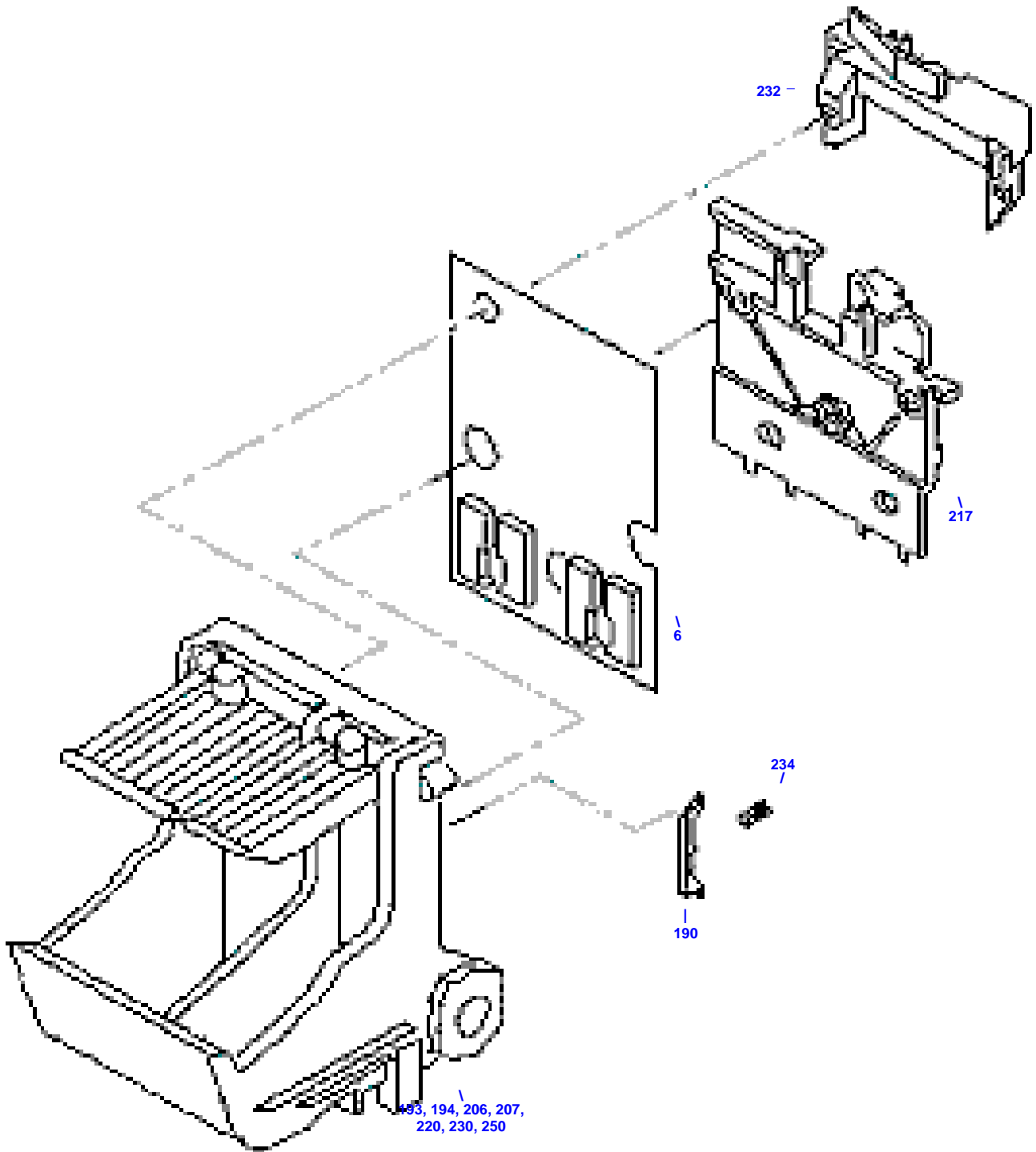
#### Wiper

264 C4557-60014 Wiper assembly - Metal base with plastic wipers

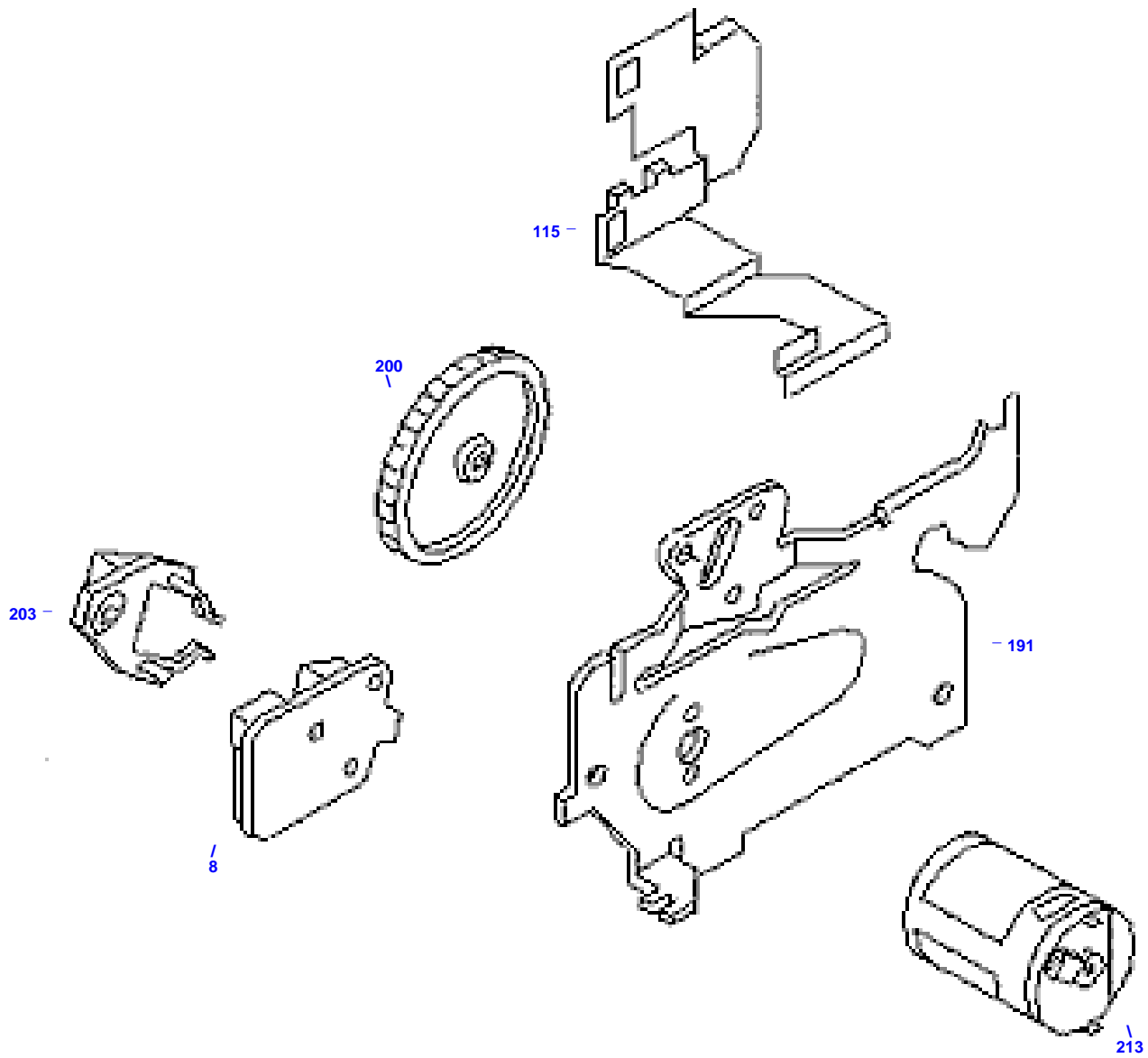
### Main Assembly Locator



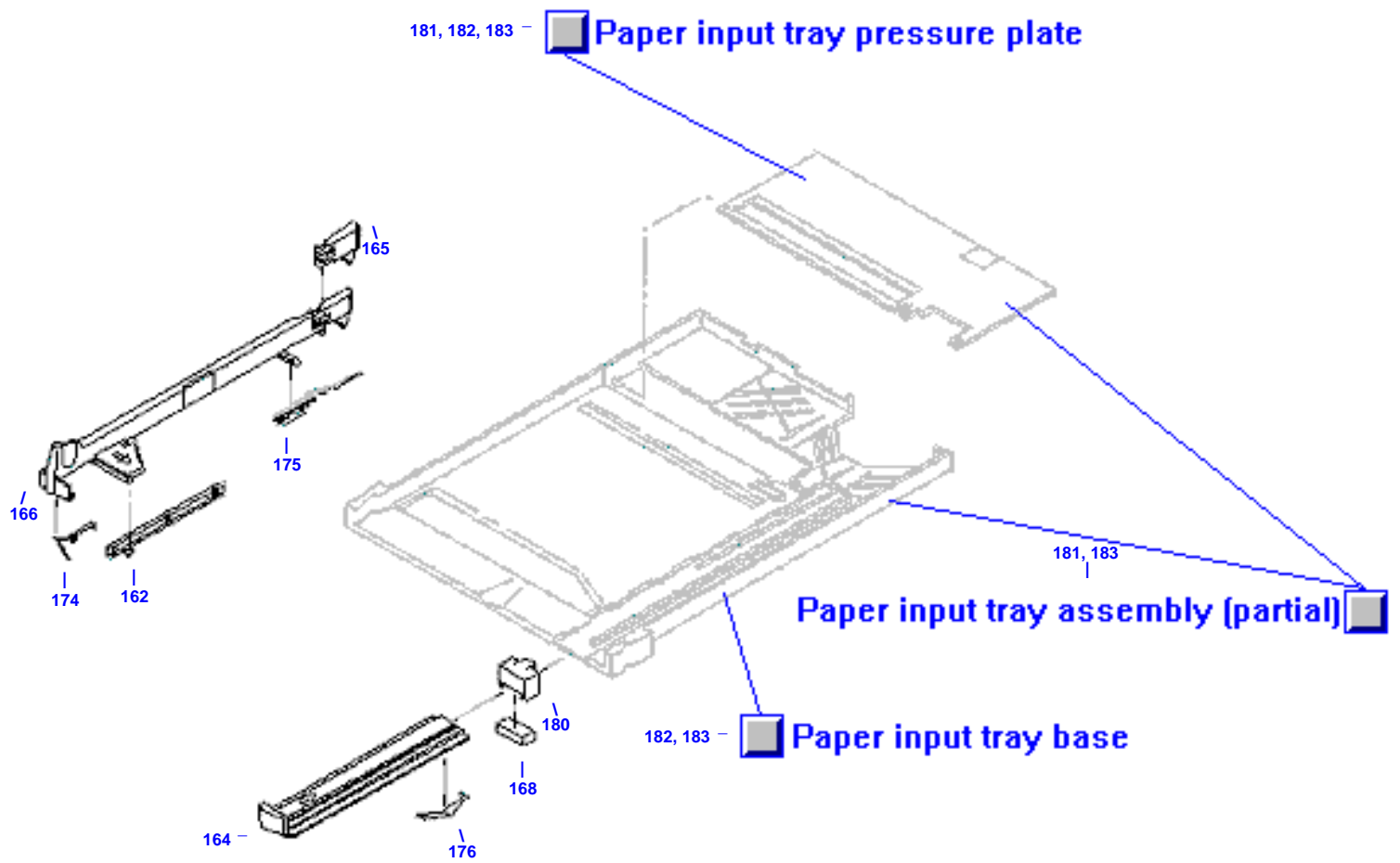
Carriage Assembly



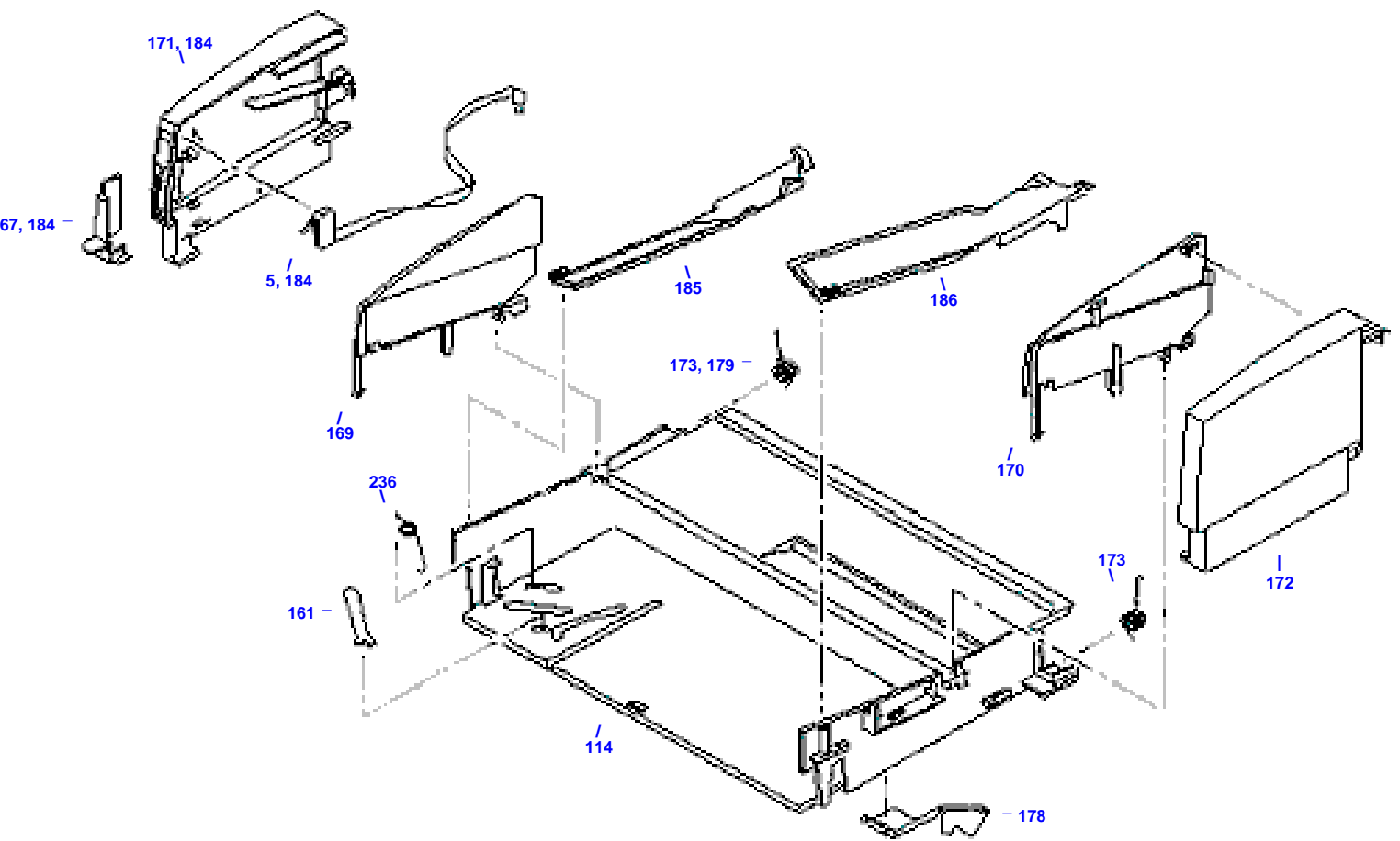
Paper Drive Motor Assembly



Paper Tray Assembly (1 of 2)



Paper Tray Assembly (2 of 2)

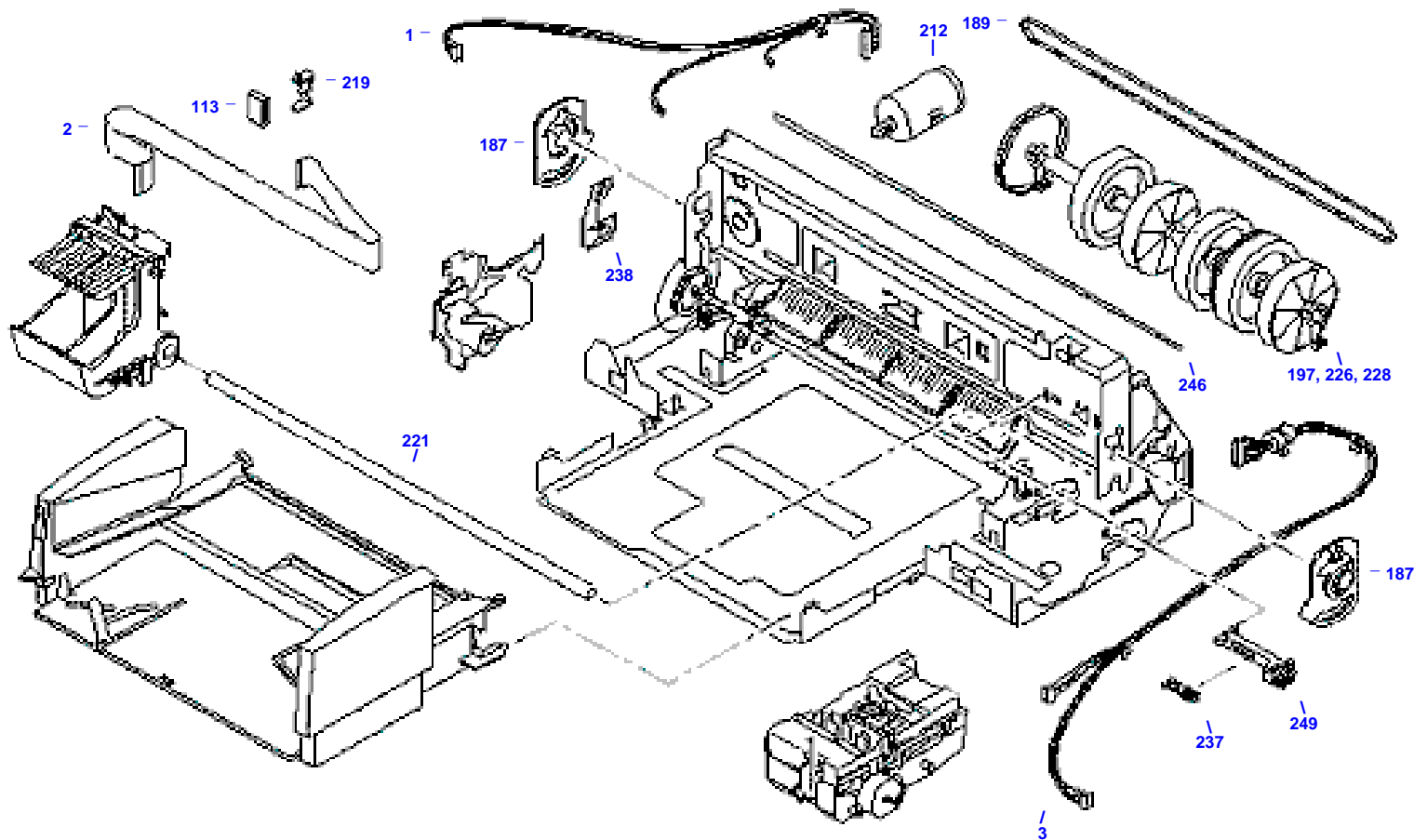




Printer Mechanism (1 of 2)

 Printer Mechanism - 218

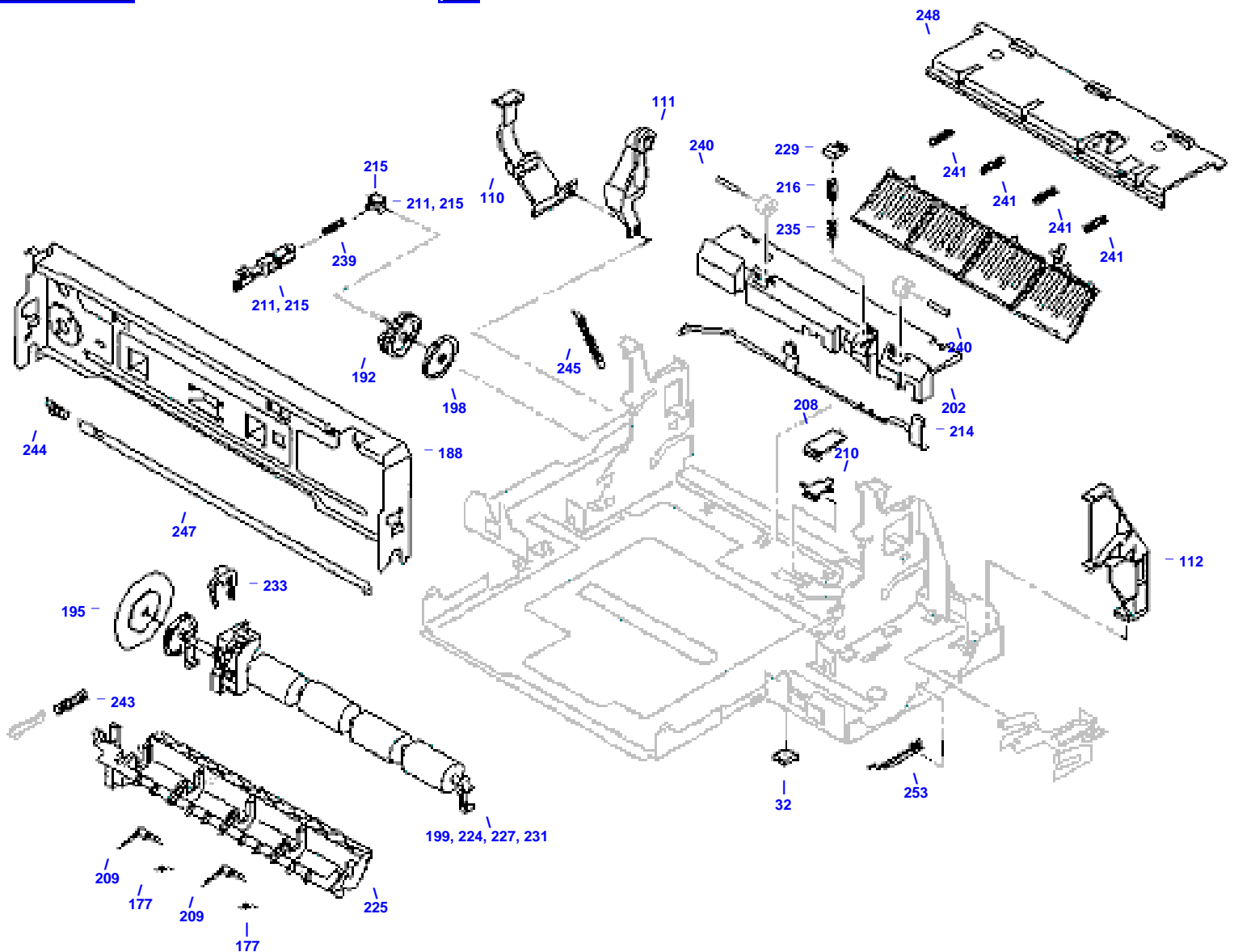
2 of 2 →



Printer Mechanism (2 of 2)

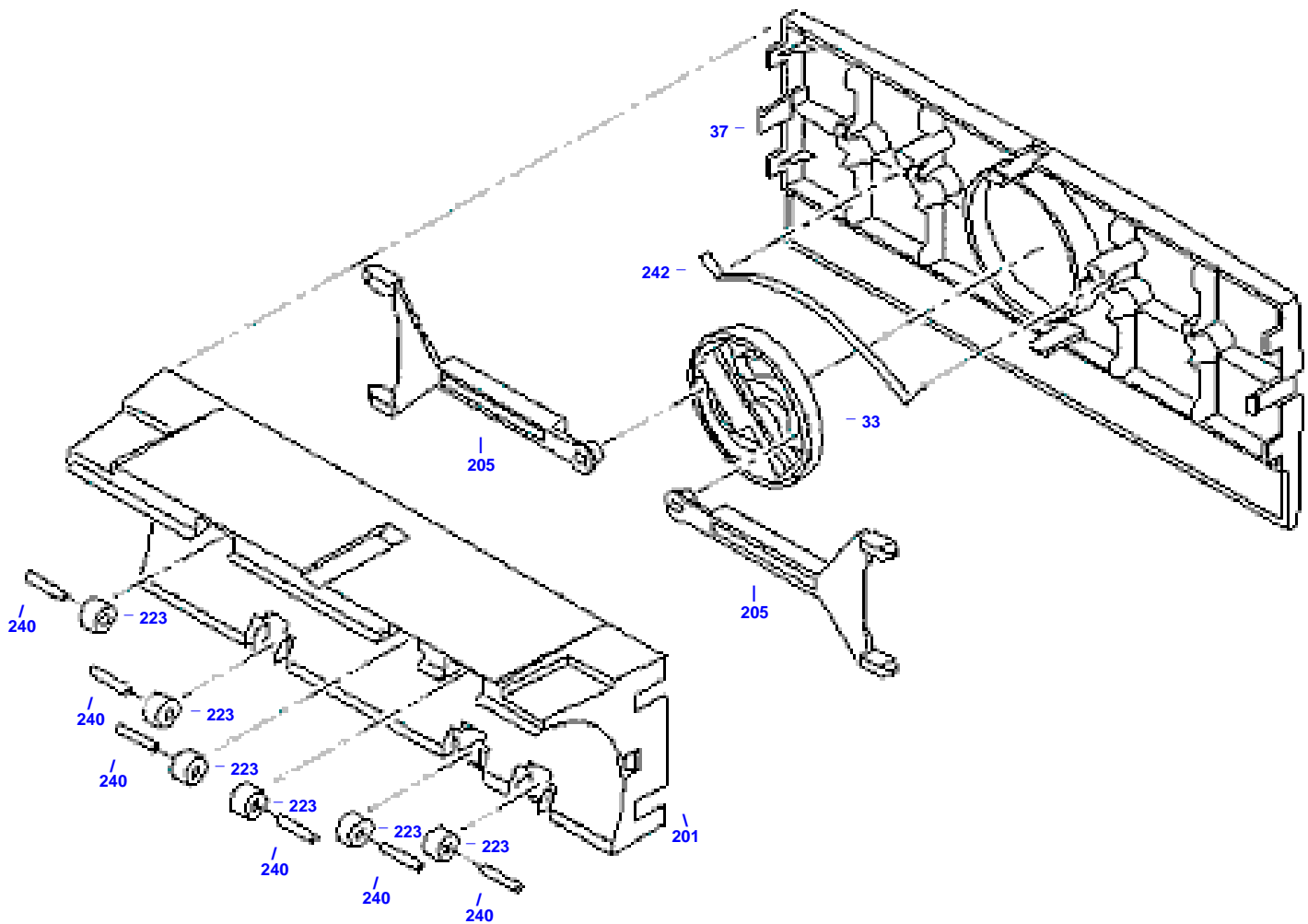
← 1 of 2

Printer Mechanism - 218

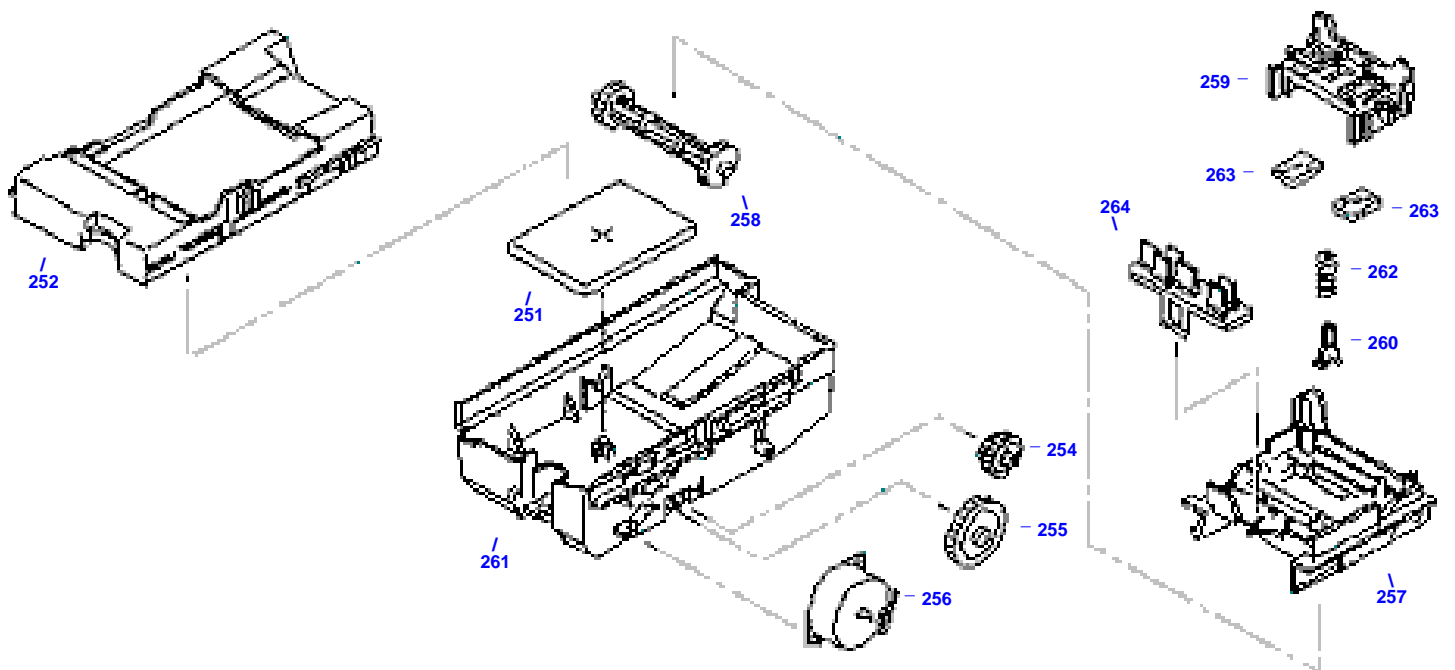


Rear Access Cleanout Assembly

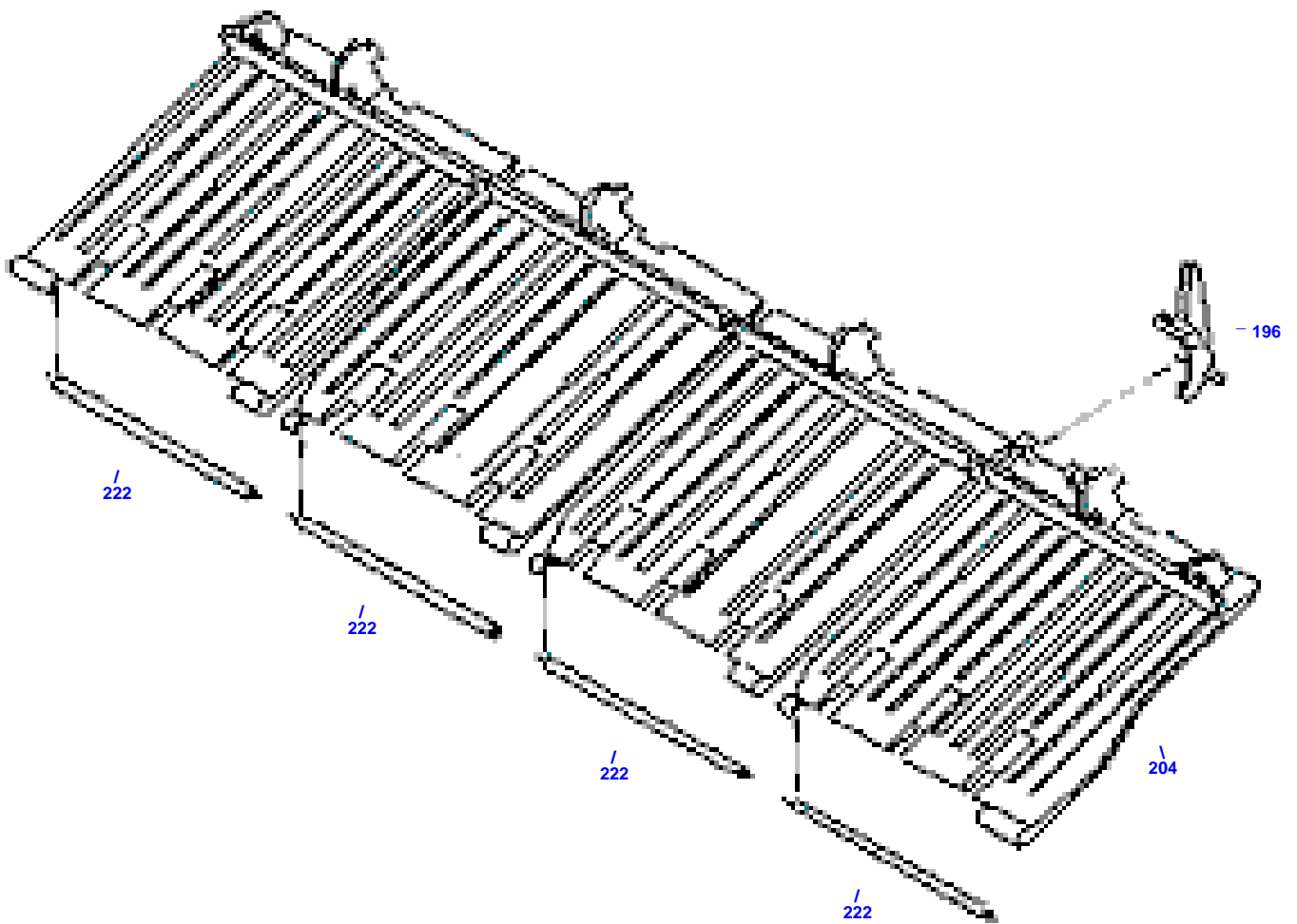
 Rear Access Cleanout Assembly<sup>31</sup>



Service Station



Upper Paper Guide Assembly





**HP Parts Reference Guide**

<http://www.hp.com/go/parts>

**HP PartSurfer**

<http://partsurfer.hp.com>

**HP Parts Ordering Information**

<http://www.hp.com/go/hpparts>

**HP Parts Questions/Comments**

<http://partsurfer.hp.com/contactus.htm>

## Free Manuals Download Website

<http://myh66.com>

<http://usermanuals.us>

<http://www.somanuals.com>

<http://www.4manuals.cc>

<http://www.manual-lib.com>

<http://www.404manual.com>

<http://www.luxmanual.com>

<http://aubethermostatmanual.com>

Golf course search by state

<http://golfingnear.com>

Email search by domain

<http://emailbydomain.com>

Auto manuals search

<http://auto.somanuals.com>

TV manuals search

<http://tv.somanuals.com>