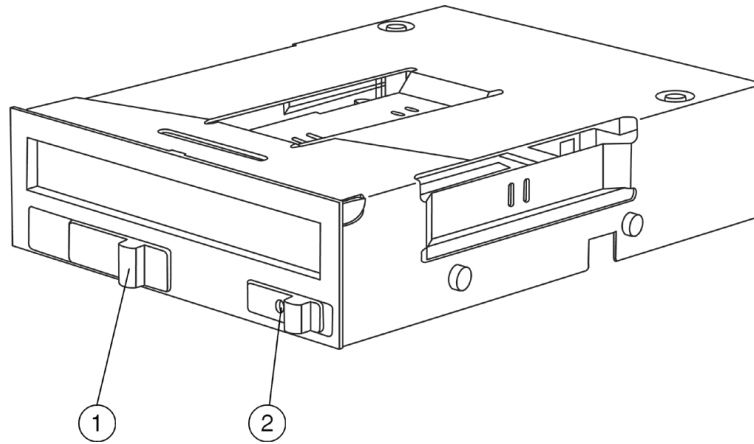


Overview



1. Eject Lever
2. Security Lever

Models

DC149B

Introduction

The MultiBay Adapter is an IDE device that allows users to easily switch and change MultiBay drives including CD-RW, DVD-ROM, CD-ROM and MultiBay hard drives. It is a modular storage bay, allowing for multiple MultiBay devices to be inserted or removed, thereby increasing the expandability and performance of HP Compaq convertible minitowers and small form factor desktops.

Installation

The MultiBay Adapter must be installed as the only device on the Secondary IDE controller. A single device IDE cable is supplied with the MultiBay Adapter Option Kit to enable this configuration.

If a half-height optical drive is also configured in the same system as a MultiBay Adapter, the half-height optical drive must be re-installed on the Primary IDE controller as the slave device. A dual device IDE cable is supplied with the MultiBay Adapter Option Kit to enable this configuration.

When the HP Business Desktop d530 Convertible Minitower is equipped with both the MultiBay option and Parallel ATA (PATA) hard drive(s), no other optical drives can be supported. HP Business Desktop d530 Convertible Minitowers equipped with Serial ATA (SATA) hard drives do not have this limitation.

Overview

Key Benefits

- **Increased expandability**
Increases the expandability of the system in which it is installed to that of a full-size desktop through swappable MultiBay devices eliminating the need to have multiple, permanently installed removable storage drives on each system.
- **Cost savings**
Individuals and multiple users can now share hot-swappable MultiBay drives between notebooks and the D510 and d530 Small Form Factor and Convertible Minitower – no need to purchase a CD-ROM, CD-RW, DVD-ROM, Combo Drive or removable hard drive for every user at each unit.
- **Low-cost back-up solution**
The MultiBay Adapter enables the D510 and d530 Small Form Factor and Convertible Minitower user to create a local back-up solution without tying up valuable network resources.
- **Increased security and lower support costs**
IT managers can restrict loading of unauthorized software by end-users by leaving the MultiBay Adapter unpopulated to restrict loading of unauthorized software or hardware. CD-ROM, CD-RW, DVD-ROM, Combo drive or second hard drive can be easily inserted locally as needed by IT staff to perform local support. This inherently leads to increased security and lower support costs. Removable drives can be secured with tamper resistant "security screw" installed via a security lever integrated with the MultiBay Adapter. Once the security screw is in place, drives cannot be ejected unless the screw is removed with a special screwdriver (included with every unit).
- **Longer product lifecycles**
The MultiBay Adapter can extend the useful life of systems by providing the ability to easily add new removable-storage options as they become available.

Compatibility

The MultiBay Adapter is compatible with the HP Compaq Business Desktop dc7100 convertible minitower and small form factor. The Adapter requires a free 5.25-inch bay.

Service and Support

The MultiBay Adapter has a one-year limited warranty or the remainder of the warranty of the HP product in which it is installed. Technical support is available seven days a week, 24 hours a day, by phone, as well as online support forums. Certain restrictions and exclusions apply. For details, consult the Product Information Centre at 1-888-882-6672.

Technical Specifications

Drive	Fits into the 5.25-inch external bay of HP Compaq convertible minitowers and small form factor desktops.
Orientation	Horizontal or vertical
Interface Type	ATAPI and MultiBay signal cable
Dimensions – external (W x H x D)	5.75 x 1.63 x 6.96 in (14.6 x 4.14 x 17.68 mm)
Operating Systems Supported	Microsoft® Windows® 2000, Windows XP Professional, Windows XP Home
Option Kit Contents	MultiBay adapter, installation guide, audio cables (Slim Form Factor cable and Convertible Minitower cable), single device IDE cable, dual device IDE cable, MultiBay signal cable, security screw with special screw driver.

Supported Multibay Drives

Drive	Supported	Hot-swappable*	Carbonite (DC149B) Option Kit Part Numbers
MultiBay 20-GB hard drive	Yes	No (must reboot system)	DC188B
MultiBay 24X CD-ROM	Yes	Yes	DC513B
MultiBay 24X CD-RW	Yes	Yes	DC514B
MultiBay 8X DVD-ROM	Yes	Yes	DC515B
MultiBay 24X Combo drive	Yes	Yes	DC148B
MultiBay 1.44 Floppy Drive	No	N/A	DE612B

NOTE: * = Not supported by software.

© Copyright 2003-2005 Hewlett-Packard Development Company, L.P.
The information contained herein is subject to change without notice.

Microsoft and Windows are US registered trademarks of Microsoft Corporation.

The only warranties for HP products and services are set forth in the express warranty statements accompanying such products and services. Nothing herein should be construed as constituting an additional warranty. HP shall not be liable for technical or editorial errors or omissions contained herein.

Free Manuals Download Website

<http://myh66.com>

<http://usermanuals.us>

<http://www.somanuals.com>

<http://www.4manuals.cc>

<http://www.manual-lib.com>

<http://www.404manual.com>

<http://www.luxmanual.com>

<http://aubethermostatmanual.com>

Golf course search by state

<http://golfingnear.com>

Email search by domain

<http://emailbydomain.com>

Auto manuals search

<http://auto.somanuals.com>

TV manuals search

<http://tv.somanuals.com>