

HP-UX

HP StorageWorks Disk Array XP operating system configuration guide

XP128
XP1024
XP10000
XP12000

sixth edition (July 2005)

part number: A5951-96015

This guide describes the requirements and procedures for connecting the XP family of disk arrays to an HP-UX system and configuring the new disk array for operation with HP-UX.



Copyright © 2003-2005, Hewlett-Packard Development Company, L.P. All rights reserved.

Hewlett-Packard Company makes no warranty of any kind with regard to this material, including, but not limited to, the implied warranties of merchantability and fitness for a particular purpose. Hewlett-Packard shall not be liable for errors contained herein or for incidental or consequential damages in connection with the furnishing, performance, or use of this material.

This document contains proprietary information, which is protected by copyright. No part of this document may be photocopied, reproduced, or translated into another language without the prior written consent of Hewlett-Packard. The information contained in this document is subject to change without notice.

HP-UX is a registered trademark of Hewlett-Packard Company.

All other product names mentioned herein may be trademarks of their respective companies.

Hewlett-Packard Company shall not be liable for technical or editorial errors or omissions contained herein. The information is provided "as is" without warranty of any kind and is subject to change without notice. The warranties for Hewlett-Packard Company products are set forth in the express limited warranty statements accompanying such products. Nothing herein should be construed as constituting an additional warranty.

Printed in the U.S.A.

HP StorageWorks Disk Array XP Operating System Configuration Guide: HP-UX

sixth edition (July 2005)
part number: A5951-96015

About this guide	7
Intended audience	7
Prerequisites	7
Disk arrays	7
Related documentation	8
HP storage website	8
HP sales and authorized resellers	8
HP technical support	9
Document conventions	10
Revision history	11
Warranty statement	12
1 Installation	15
Features and requirements	16
Fibre Channel interface	17
Device emulation types	18
Failover	18
SNMP configuration	19
RAID Manager command devices	19
Installation procedures	20
Install and configure the disk array	21
Setting the host mode for the disk array ports	21
Setting the System Option Modes	23
Configuring the Fibre Channel ports	24
Install and configure the host	26
Loading the OS and software	26
Installing and configuring the HBAs	26
Clustering and fabric zoning	27
Fabric zoning and LUN security for multiple operating systems	28

- Connect the disk array 29
 - Defining the paths 29
 - Verifying HBA installation 31
 - Verifying device recognition 32
- Configure disk array devices 35
 - Verifying the device files and drivers 36
 - Creating the device files 38
 - Creating the physical volumes 41
 - Creating new volume groups 42
 - Creating logical volumes 45
 - Creating the file systems 47
 - Setting the I/O timeout parameter 49
 - Creating the mount directories 50
 - Mounting and verifying the file systems 51
 - Setting and verifying the auto-mount parameters 52

2 Troubleshooting 55

- Error conditions 56
- Calling the HP support center 59

A Worksheets 61

- Path worksheet 62

B Disk array device emulations 63

- Supported emulations 64
- Device type specifications 65
- LUSE device parameters 68
- SCSI TID map for Fibre Channel adapters 71

C Reference information for SAM 73

- Configuring the devices using SAM 74
- Setting the maximum number of volume groups using SAM 76

Glossary 77

Index 81

About this guide

This guide provides information about:

- Requirements and procedures for connecting an XP disk array to a host system
- Configuring the disk array for use with the HP-UX operating system

Intended audience

This guide is intended for system administrators with knowledge of the host server, the operating system, and XP disk arrays.

Prerequisites

Prerequisites for installing and configuring this product include knowledge of:

- Disk arrays and RAID technology
- Operating system commands and utilities

Disk arrays

Unless otherwise noted, the term *disk array* refers to these disk arrays:

HP StorageWorks Disk ArrayXP 128
HP StorageWorks Disk Array XP1024
HP StorageWorks XP10000 Disk Array
HP StorageWorks XP12000 Disk Array

Related documentation

HP provides these related documents:

- *HP StorageWorks Disk Array XP128: Owner's Guide*
- *HP StorageWorks Disk Array XP1024: Owner's Guide*
- *HP StorageWorks XP10000 Disk Array: Owner's Guide*
- *HP StorageWorks XP12000 Disk Array: Owner's Guide*

To locate these documents, to learn more about HP software products, or to obtain software updates, visit the HP web site:

<http://h18006.www1.hp.com/storage/xparrays.html>.

HP storage website

For the most current information about HP StorageWorks XP products, visit: <http://h18006.www1.hp.com/storage/arraysystems.html>.

For information about product availability, configuration, and connectivity, contact your HP support representative.

HP sales and authorized resellers

To reach HP sales or find a local authorized reseller of HP products, call 1-800-282-6672 or visit the HP How To Buy web site:

<http://welcome.hp.com/country/us/en/howtobuy.html>

You can also find HP sales and resellers at <http://www.hp.com>. Click **Contact HP**.

HP technical support

In North America, call technical support at 1-800-633-3600, available 24 hours a day, 7 days a week.

Outside North America, call technical support at the location nearest you. The HP web site lists telephone numbers for worldwide technical support at: <http://www.hp.com/support>. From this web site, select your country.

Collect the following information before calling:

- Technical support registration number (if applicable)
- Product serial numbers
- Product model names and numbers
- Applicable error messages
- Operating system type and revision level
- Detailed questions

For continuous quality improvement, calls may be recorded or monitored.

HP strongly recommends that customers sign up online using the Subscriber's choice web site at <http://www.hp.com/go/e-updates>. Subscribing to this service provides you with email updates on the latest product enhancements, newest drivers, and firmware documentation updates as well as instant access to numerous other product resources.

Document conventions

Convention	Element
Blue text (Figure 1)	Blue text represents a cross-reference. In the online version of this guide, the reference is linked to the target.
Bold	Bold text represents application names, file names, menu items, dialog box titles, buttons, key names, field names, and literal values that you type exactly as shown.
<i>Italics</i>	Italic type indicates that you must supply a value. Italic type is also used for manual titles.
<u>Blue underlined sans serif font (www.hp.com)</u>	Underlined, blue text represents a website on the Internet. In the online version of this guide, the reference is linked to the target.
monospace font	Monospace font denotes user input and system responses, such as output and messages.
<i>Example</i>	The word “example” in italics denotes an example of input or output.
[]	Square brackets indicate an optional parameter.
{ }	Braces indicate that you must specify at least one of the listed options.
	A vertical bar separates alternatives in a list of options.

Revision history

September 1999	Open-8 emulation added.
January 2000	Content extensively revised and reorganized.
June 2000	Added support for XP512. Content reorganized and revised.
February 2001	Added appendixes C, D, E, and F. Added glossary.
April 2003	Changed brand name to StorageWorks. Added support for OPEN-L and OPEN-V. Changed CVS to VCS.
November 2003	Revised I/O timeout procedure. Minor update.
August 2004	Updated for XP12000.
July 2005	Updated to include XP10000, Command View XP Advanced Edition, and Remote Web Console XP.

Warranty statement

HP warrants that for a period of ninety calendar days from the date of purchase, as evidenced by a copy of the invoice, the media on which the Software is furnished (if any) will be free of defects in materials and workmanship under normal use.

DISCLAIMER. EXCEPT FOR THE FOREGOING AND TO THE EXTENT ALLOWED BY LOCAL LAW, THIS SOFTWARE IS PROVIDED TO YOU “AS IS” WITHOUT WARRANTIES OF ANY KIND, WHETHER ORAL OR WRITTEN, EXPRESS OR IMPLIED. HP SPECIFICALLY DISCLAIMS ANY IMPLIED WARRANTIES OR CONDITIONS OF MERCHANTABILITY, SATISFACTORY QUALITY, NON-INFRINGEMENT, TITLE, ACCURACY OF INFORMATIONAL CONTENT, AND FITNESS FOR A PARTICULAR PURPOSE. Some jurisdictions do not allow exclusions of implied warranties or conditions, so the above exclusion may not apply to you to the extent prohibited by such local laws. You may have other rights that vary from country to country, state to state, or province to province.

WARNING! YOU EXPRESSLY ACKNOWLEDGE AND AGREE THAT USE OF THE SOFTWARE IS AT YOUR SOLE RISK. HP DOES NOT WARRANT THAT THE FUNCTIONS CONTAINED IN THE SOFTWARE WILL MEET YOUR REQUIREMENTS, OR THAT THE OPERATION OF THE SOFTWARE WILL BE UNINTERRUPTED, VIRUS-FREE OR ERROR-FREE, OR THAT DEFECTS IN THE SOFTWARE WILL BE CORRECTED. THE ENTIRE RISK AS TO THE RESULTS AND PERFORMANCE OF THE SOFTWARE IS ASSUMED BY YOU. HP DOES NOT WARRANT OR MAKE ANY REPRESENTATIONS REGARDING THE USE OR THE RESULTS OF THE USE OF THE SOFTWARE OR RELATED DOCUMENTATION IN TERMS OF THEIR CORRECTNESS, ACCURACY, RELIABILITY, CURRENTNESS, OR OTHERWISE. NO ORAL OR WRITTEN INFORMATION OR ADVICE GIVEN BY HP OR HP’S AUTHORIZED REPRESENTATIVES SHALL CREATE A WARRANTY.

LIMITATION OF LIABILITY. EXCEPT TO THE EXTENT PROHIBITED BY LOCAL LAW, IN NO EVENT INCLUDING NEGLIGENCE WILL HP OR ITS SUBSIDIARIES, AFFILIATES, DIRECTORS, OFFICERS, EMPLOYEES, AGENTS OR SUPPLIERS BE LIABLE FOR DIRECT, INDIRECT, SPECIAL, INCIDENTAL, CONSEQUENTIAL, PUNITIVE OR OTHER DAMAGES (INCLUDING LOST PROFIT, LOST DATA, OR DOWNTIME COSTS), ARISING OUT OF THE USE, INABILITY TO USE, OR THE RESULTS OF USE OF THE SOFTWARE, WHETHER BASED IN WARRANTY, CONTRACT, TORT OR OTHER LEGAL THEORY, AND WHETHER OR NOT ADVISED OF THE POSSIBILITY OF SUCH DAMAGES. Your use of the Software is entirely at your own risk. Should the Software prove defective, you assume the entire cost of all service, repair or correction. Some jurisdictions do not allow the exclusion or limitation of liability for incidental or consequential damages, so the above limitation may not apply to you to the extent prohibited by such local laws.

NOTE. EXCEPT TO THE EXTENT ALLOWED BY LOCAL LAW, THESE WARRANTY TERMS DO NOT EXCLUDE, RESTRICT OR MODIFY, AND ARE IN ADDITION TO, THE MANDATORY STATUTORY RIGHTS APPLICABLE TO THE LICENSE OF THE SOFTWARE TO YOU; PROVIDED, HOWEVER, THAT THE CONVENTION ON CONTRACTS FOR THE INTERNATIONAL SALE OF GOODS IS SPECIFICALLY DISCLAIMED AND SHALL NOT GOVERN OR APPLY TO THE SOFTWARE PROVIDED IN CONNECTION WITH THIS WARRANTY STATEMENT.

Installation

You and your HP service representative each play a role in installation. Your HP service representative is responsible for installing the disk array and formatting the disk devices. You are responsible for configuring the host server for the new devices with assistance from your HP service representative.

Features and requirements

Ask your HP service representative about the latest supported hardware and software.

The disk array and host have the following features:

- **Storage capacity.** The storage capacity for each model is listed below:
 - XP128:** From 8 to 128 drives for up to 18 TB, 48 FC ports
 - XP1024:** From 8 to 1024 drives for up to 149 TB, 64 FC ports
 - XP10000:** Up to 240 drives for up to 69.2 TB, 48 FC ports
 - XP12000:** Up to 1152 drives for up to 165 TB, 128 FC ports
- **Server support.** HP-UX-supported processor
- **Operating system support.** HP-UX, version 10.20, 11.0, or 11i v2 with the latest patches (if any)

Before installing the disk array, ensure the environment conforms to these requirements:

- **Host Bus Adapters (HBAs)** Install HBAs and all utilities and drivers. Refer to the adapter documentation for installation details.
- *(Recommended)* HP StorageWorks Remote Web Console XP, Command View XP Advanced Edition or Command View XP with LUN management feature for configuring disk array ports and paths
- *(Recommended)* HP StorageWorks LUN Configuration and Security Manager XP

- *(Optional)* Other available XP software (some may not be supported by your array):

HP StorageWorks Business Copy XP

HP StorageWorks Continuous Access XP

HP StorageWorks Continuous Access Extension XP

HP StorageWorks Auto LUN XP

HP StorageWorks Data Exchange XP

HP StorageWorks Resource Manager XP

HP StorageWorks RAID Manager XP

HP StorageWorks Cache LUN XP

HP StorageWorks Auto Path XP

HP StorageWorks Cluster Extension XP

HP StorageWorks Performance Advisor XP

Fibre Channel interface

The XP family of disk arrays supports these Fibre Channel elements:

- Connection speed of 1 Gbps and 2 Gbps
- Short-wave non-OFC (open fiber control) optical interface
- Multimode optical cables with SC or LC connectors
- Public or private arbitrated loop (FC-AL) or direct fabric attach
- Fibre Channel switches

Even though the interface is Fibre Channel, this guide uses the term “SCSI disk” because disk array devices are defined to the host as SCSI disks.

Device emulation types

The XP family of disk arrays supports these device emulation types:

- **OPEN-K/3/8/9/E devices:** OPEN-x logical units represent disk devices. Except for OPEN-V, these devices are based on fixed sizes. OPEN-V is a user-defined size. Supported emulations include OPEN-3, OPEN-8, OPEN-9, OPEN-E, OPEN-L, and OPEN-V devices.
- **LUSE devices (OPEN-x*n):** Logical Unit Size Expansion (LUSE) devices combine 2 to 36 OPEN-x devices to create expanded LDEVs larger than standard OPEN-K/3/8/9/E disk devices. For example, an OPEN-x LUSE volume created from ten OPEN-x volumes is designated as OPEN-x*10.
- **CVS devices (OPEN-x CVS):** Volume Size Configuration (VSC) defines custom volumes (CVS) that are smaller than normal fixed-sized logical disk devices (volumes). (OPEN-V is a CVS-based custom disk size that you determine. OPEN-L does not support CVS.)
- **LUSE (expanded) CVS devices (OPEN-x*n CVS):** LUSE CVS combines CVS devices to create an expanded device. This is done by first creating CVS custom-sized devices and then using LUSE to combine from 2 to 36 CVS devices. For example, if three OPEN-9 CVS volumes are combined to create an expanded device, this device is designated as OPEN-9*3-CVS.

Failover

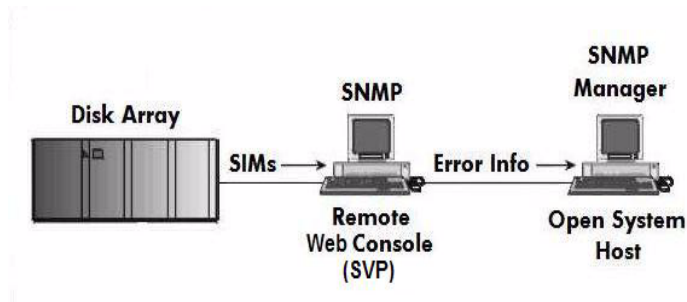
The XP family of disk arrays supports many standard software products that provide host, application, or I/O path failover and management.

The following are supported for HP-UX:

- HP Multi-Computer/ServiceGuard (MC/ServiceGuard) software for application failover
- Alternate link for I/O path failover (included in HP-UX)
- Logical volume management (included in HP-UX)

SNMP configuration

The XP family of disk arrays supports standard Simple Network Management Protocol (SNMP) for remotely managing the disk array. The SNMP agent on the SVP performs error-reporting operations requested by the SNMP manager. SNMP properties are usually set from the SVP but they can also be set remotely using Remote Web Console XP, Command View XP, or Command View XP Advanced Edition. Refer to the applicable user's guide for procedures.



RAID Manager command devices

RAID Manager manages Business Copy (BC) or Continuous Access (CA) operations from a host server. To use RAID Manager with BC or CA, you use Remote Web Console, Command View, or Command View XP Advanced Edition to designate at least one LDEV as a command device. Refer to the applicable user's guide for information about how to designate a command device.

Installation procedures

Perform these actions to install and configure the disk array:

1. Install and configure the disk array ([see page 21](#))
 - Setting the host mode for the disk array ports
 - Setting the System Option Modes
 - Configuring the Fibre Channel ports
2. Install and configure the host ([see page 26](#))
 - Loading the OS and software
 - Installing and configuring the HBAs
 - Clustering and fabric zoning
 - Fabric zoning and LUN security for multiple operating systems
3. Connect the disk array ([see page 29](#))
 - Defining the paths
 - Verifying HBA installation
 - Verifying device recognition
4. Configure disk array devices ([see page 35](#))
 - Verifying the device files and drivers
 - Creating the device files
 - Creating the physical volumes
 - Creating new volume groups
 - Creating logical volumes
 - Creating the file systems
 - Setting the I/O timeout parameter
 - Creating the mount directories
 - Mounting and verifying the file systems
 - Setting and verifying the auto-mount parameters

Install and configure the disk array

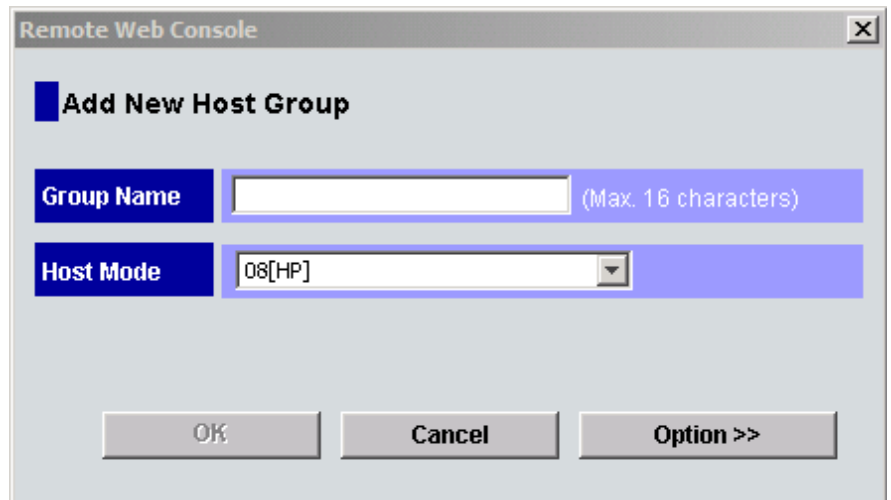
The HP service representative performs these tasks:

- Assembling hardware and installing software
- Loading the microcode updates
- Installing the channel adapters (CHAs) and cabling
- Installing and formatting devices

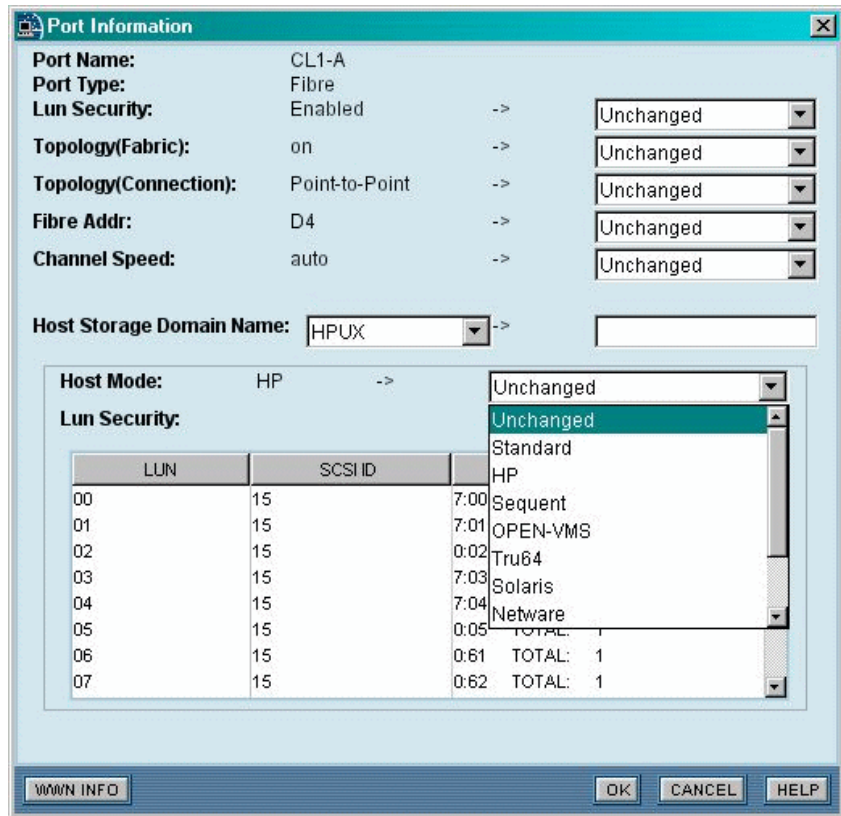
After these tasks are finished, you will use Remote Web Console, Command View, Command View XP Advanced Edition, or LUN Configuration and Security Manager to complete the remaining tasks listed below. If you do not have these programs, your HP service representative can perform these tasks for you.

Setting the host mode for the disk array ports

The disk array ports have host modes that must be set depending on the host you use. After the disk array is installed use LUN Manager in Remote Web Console XP (shown), Command View XP, or Command View XP Advanced Edition to set the host mode for each port. The host mode setting for HP-UX is **08**.



For the XP1024/XP128 arrays, the host mode can also be set at the port information window in Command View XP AE.



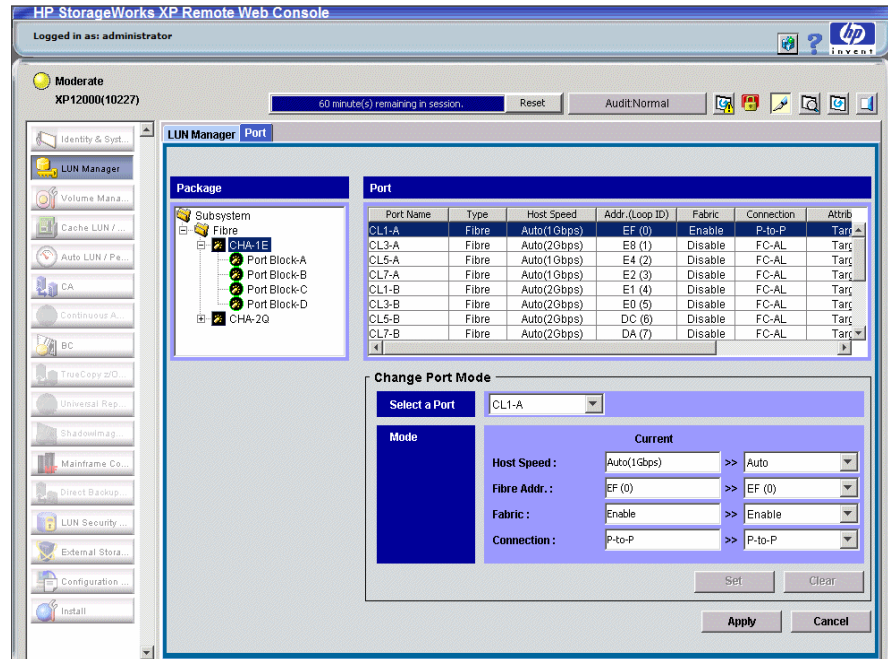
Setting the System Option Modes

The HP service representative sets the System Option Mode(s) based on the operating system and software configuration of the host.

Mode	Level	HA Software	Description and Usage
140	Optional	None	<p>ON: Response to the Inquiry command is changed, and the volume can be used from VeritasNetBackUP in heterogeneous OS configuration, such as HP-UX.</p> <p>OFF: Normal response to the Inquiry command.</p>
186	Mandatory	Veritas Database Editions/Advanced Cluster	<p>ON: Mandatory setting when VERITAS Database Editions/Advanced Cluster is connected.</p> <p>OFF: VERITAS Database Editions/Advanced Cluster should not be connected with this setting.</p>
254	Optional	Veritas Database Editions	<p>Change the response of reserve conflict status to Read Capacity, Verify, and Start Stop Unit.</p> <p>ON: Normal end is reported.</p> <p>OFF: Reserve conflict status is reported.</p>
280	Optional		<p>HP-UX Ghost LUN Remove OS version: HP-UX 11.0 and later.</p> <p>ON: When the host scans the LUNS on the port, the disk array is not represented in the device list for HP-UX.</p> <p>OFF: When the host scans the LUNS on the port, the disk array is represented in the device list for HP-UX.</p>

Configuring the Fibre Channel ports

Configure the disk array Fibre Channel ports by using Remote Web Console (shown), Command View, or Command View XP AE. Select the settings for each port based on your storage area network topology. Use switch zoning if you connect different types of hosts to the array through the same switch.

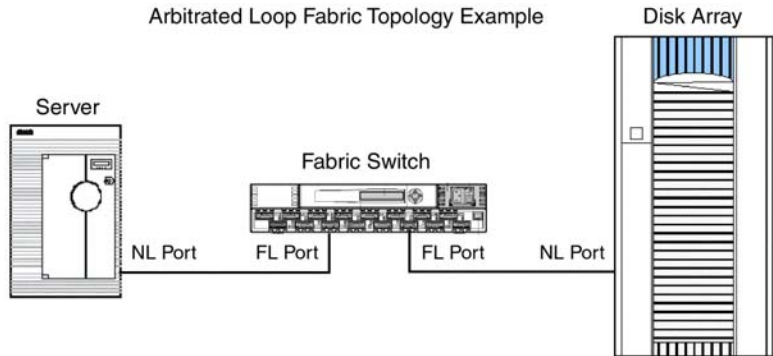
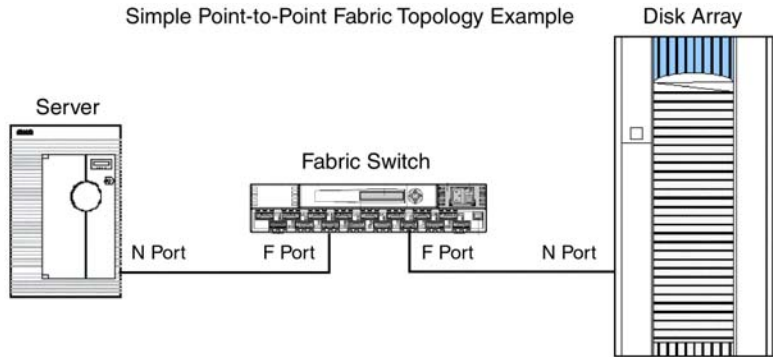


Fibre Address

In fabric environments, the port addresses are assigned automatically. In arbitrated loop environments, set the port addresses by selecting a unique arbitrated loop physical address (AL-PA) or loop ID for each port.

Fabric and Connection parameter settings

Set each array port to FABRIC ON or OFF with connections of POINT-TO-POINT or FC-AL as shown in the following table and figures. For detailed topology information, refer to the *HP StorageWorks SAN Design Reference Guide* on the hp.com website.



Fabric parameter	Connection parameter	Provides
ON	FC-AL	Not supported
ON	Direct Fabric Attach	F-port (fabric port)
OFF	FC-AL	AL-port (private arbitrated loop)
OFF	Direct Fabric Attach	Not supported

Install and configure the host

This section explains how to install and configure the host and host bus adapters (HBAs) that connect the host to the disk array.

Loading the OS and software

Follow the manufacturer's instructions to load the operating system and software onto the host. Load all OS patches and configuration utilities supported by HP and the HBA manufacturer.

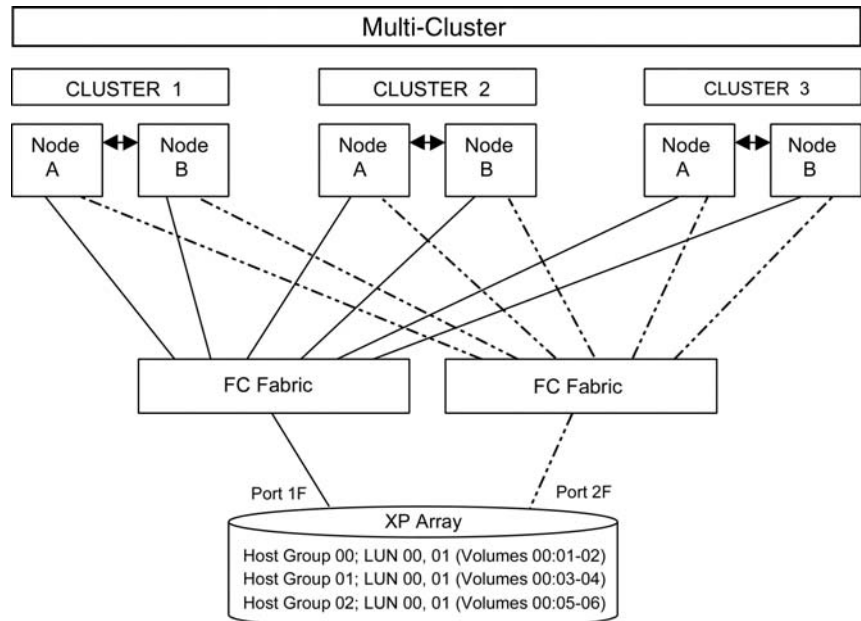
Installing and configuring the HBAs

Install and configure the host bus adapters using the HBA manufacturer's instructions.

Clustering and fabric zoning

If you plan to use clustering, install and configure the clustering software on the servers.

Clustering is the organization of multiple servers into groups. Within a cluster, each server is a node. Multiple clusters compose a multi-cluster environment. The following example shows a multi-cluster environment with three clusters, each containing two nodes. The nodes share access to the disk array.



Within the Storage Area Network (SAN), the clusters may be homogeneous (all the same operating system) or they may be heterogeneous (mixed operating systems). How you configure LUN Security and fabric zoning depends on the operating system mix and the SAN configuration.

Fabric zoning and LUN security for multiple operating systems

You can connect multiple clusters of various operating systems to the same switch and fabric using appropriate zoning and LUN security as follows:

- Host zones must contain only homogeneous operating systems.
- Storage port zones may overlap if more than one operating system needs to share an array port.
- Heterogeneous operating systems may share an XP array port if you use Secure Manager and set the appropriate host group and mode. All others must connect to a dedicated XP array port.
- Use Secure Manager for LUN isolation when multiple hosts connect through a shared array port. Secure Manager provides LUN security by allowing you to restrict which LUNs each host can access.

Environment	OS Mix	Fabric Zoning	LUN Security
Standalone SAN (non-clustered)	homogeneous (a single OS type present in the SAN)	Not required	Must be used when multiple hosts connect through a shared port
	heterogeneous (more than one OS type present in the SAN)	Required	
Clustered SAN	homogeneous (a single OS type present in the SAN)	Not required	Must be used when multiple cluster nodes connect through a shared port
	heterogeneous (more than one OS type present in the SAN)	Required	
Multi-Cluster SAN	homogeneous (a single OS type present in the SAN)	Not required	Must be used when multiple cluster nodes connect through a shared port
	heterogeneous (more than one OS type present in the SAN)	Required	

Connect the disk array

The HP service representative connects the disk array to the host by:

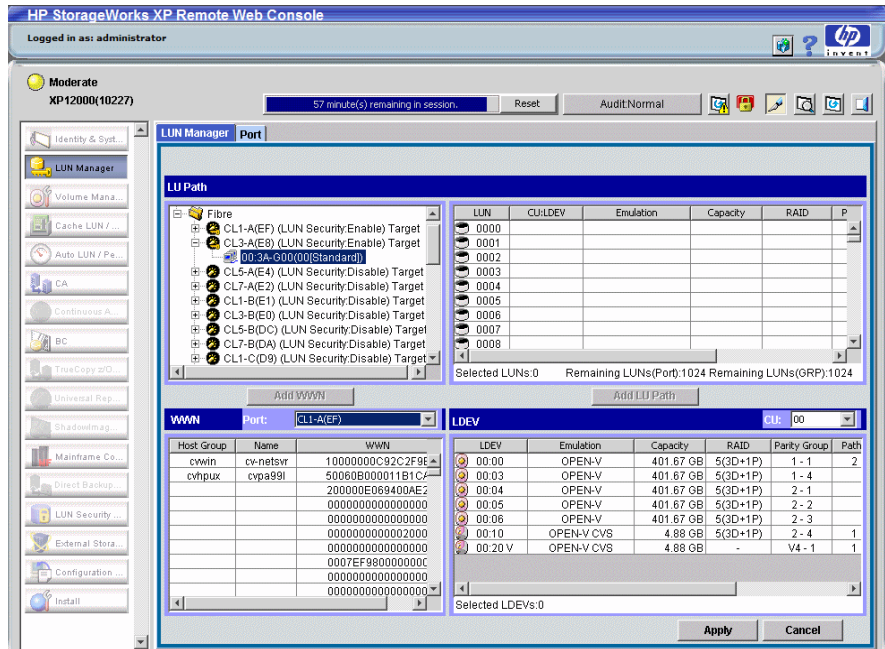
1. Verifying operational status of the disk array channel adapters, LDEVs, and paths.
2. Connecting the Fibre Channel cables between the disk array and the fabric switch or host.
3. Verifying the ready status of the disk array and peripherals.

Defining the paths

Use Remote Web Console (shown), Command View, or Command View XP AE to define paths (LUNs) between hosts and volumes in the disk array.

This process is also called “LUN mapping.” In Remote Web Console and Command View, LUN mapping includes:

- Configuring ports
- Setting LUN security
- Creating host groups
- Assigning host bus adapter WWNs to host groups
- Mapping volumes to host groups (by assigning LUNs)



In Command View XP AE, LUN mapping includes:

- Configuring ports
- Creating storage groups
- Mapping volumes and WWN/host access permissions to the storage groups

For details see LUN Configuration and Security Manager User's Guide or Command View XP Advanced Edition Device Manager Web Client User's Guide. Note the LUNS and their ports, WWNs, nicknames, and LDEVs for later use in verifying host and device configuration.

Verifying HBA installation

After configuring the ports on the disk array, verify that the HBAs are installed properly.

Use the **ioscan -f** command, and verify that the rows shown in the example are displayed. If these rows are not displayed, check the host adapter installation (hardware and driver installation) or the host configuration.

Example

```
# ioscan -f
Class    I  H/W Path          Driver      S/W StateH/W Type  Description
=====
...
fc       0  8/12              fcT1        CLAIMED    INTERFACE  HP Fibre Channel Mass Storage Adapter
lan      1  8/12.5            fcT1_cntl   CLAIMED    INTERFACE  HP Fibre Channel Mass Storage Cntl
fcp      0  8/12.8            fcp         CLAIMED    INTERFACE  FCP Protocol Adapter
ext_bus  2  8/12.8.0.255.0    fcpdev      CLAIMED    INTERFACE  FCP Device Interface
...
```

Verifying device recognition

Verify that the HP-UX system recognizes the new devices on the disk array.

If the SCSI paths were defined after the system is powered on, you must halt and restart the system to allow the system to recognize the new devices.

To verify device recognition:

1. Log in to the system as **root**.
2. Display the device data to verify that the system recognizes the newly installed devices on the disk array. Use the **ioscan -fn** command to display the device data.

On a system with a large LUN configuration, HP-UX may not build device files on all LUNs. Enter **insf -e** to build all missing device files.

Example

```
# ioscan -fn
class  I  H/W Path          Driver  S/W State H/W Type  Description
=====
bc      6  14              ccio    CLAIMED  BUS_NEXUS I/O Adapter HP Fibre Channel Mass
fc      1  14/12          fcTl    CLAIMED  INTERFACE Storage Adapter HP Fibre Channel Mass
lan     2  14/12.5        fcTl_cntl CLAIMED  INTERFACE Storage Cntl /dev/fcms2
fcp     1  14/12.8        fcp     CLAIMED  INTERFACE FCP Protocol Adapter HP A3308 FCP-SCSI MUX
ext_bus 6  14/12.8.0.0.0  fcpmux  CLAIMED  INTERFACE Interface
target  9  14/12.8.0.0.0.0 tgt     CLAIMED  DEVICE
disk    4  14/12.8.0.0.0.0.0 sdisk   CLAIMED  DEVICE      HP OPEN-9 /dev/dsk/c6t0d0/dev/rdisk/c6t0d0
disk    5  14/12.8.0.0.0.0.1 sdisk   CLAIMED  DEVICE      HP OPEN-9*2 /dev/dsk/c6t0d1 /dev/rdisk/c6t0d1
ext_bus 7  14/12.8.0.255.0 fcpdev  CLAIMED  INTERFACE FCP Device Interface
target  10 14/12.8.0.255.0.0 tgt     CLAIMED  DEVICE
ctl     5  14/12.8.0.255.0.0.0 sctl    CLAIMED  DEVICE      HP HPA3308 /dev/rscsi/c7t0d0
```

In the example:

HP OPEN-9 device: SCSI bus number = 14/12, bus instance = 6, SCSI target ID = 0, LUN = 0.

HP OPEN-9*2 device: SCSI bus number = 14/12, bus instance = 6, SCSI target ID = 0, LUN = 1.

If UNKNOWN is displayed for a disk, the HP 9000 system may not be configured properly. Refer to the HP documentation or contact HP

customer support for assistance with the HP 9000 system or the HP-UX operating system.

3. Enter the device data for each disk array device in a table. See “Path worksheet” on page 62.
4. Construct the device file name for each device, using the device information, and enter the file names in your table. Use the following formula to construct the device file name:

cxydz

where

x = SCSI bus instance number

y = SCSI target ID

z = LUN

c stands for controller, **t** stands for target ID, and **d** stands for device. The numbers *x*, *y*, and *z* are hexadecimal.

Example

SCSI bus instance number	Hardware path	SCSI TID	LUN	File name
00	14/12.6.0	6	0	c6t0d0
00	14/12.6.1	6	1	c6t0d1

5. Verify that the SCSI TIDs correspond to the assigned port address for all connected ports (see mapping tables on page 63 in Appendix B, for values). If so, the logical devices are recognized properly.

If the logical devices are not recognized properly:

- Check the AL-PA for each port using the LUN Manager software.
- If the same port address is set for multiple ports on the same loop (AL with HUB), all port addresses except one changed to another value, and the relationship between AL-PA and TID does not correspond to the mapping given in Appendix B (page 63), set a

different address for each port, reboot the server, and then verify new device recognition again.

- If unused device information remains, the TID-to-AL-PA mapping will not correspond to the mapping given in Appendix B (page 63). Renew the device information, and then verify new device recognition again.

Configure disk array devices

Disk arrays are configured using the same procedure for configuring any new disk on the host. This includes the following procedures:

1. Verifying the device files and drivers ([see page 36](#))
2. Creating the device files ([see page 38](#))
3. Creating the physical volumes ([see page 41](#))
4. Creating new volume groups ([see page 42](#))
5. Creating logical volumes ([see page 45](#))
6. Creating the file systems ([see page 47](#))
7. Setting the I/O timeout parameter ([see page 49](#))
8. Creating the mount directories ([see page 50](#))
9. Mounting and verifying the file systems ([see page 51](#))
10. Setting and verifying the auto-mount parameters ([see page 52](#))

The HP-UX system uses the Logical Volume Manager (LVM) to manage the OPEN-*x* devices on the disk array. The instructions in this section do not explicitly cover all LVM configuration issues. For further information on LVM configuration, see the HP-UX user documentation.

HP System Administrator Manager (SAM) can be used instead of UNIX commands to configure SCSI disk devices. See appendix C ([page 73](#)) for further information.

Verifying the device files and drivers

The device files for new devices are usually created automatically during HP-UX startup. Each device must have a block-type device file in the **/dev/dsk** directory and a character-type device file in the **/dev/rdsk** directory.

However, some HP-compatible systems do not create the device files automatically. If verification shows that the device files were not created, follow the instructions in “Creating the device files” ([page 38](#)) to create the device files manually.

This procedure verifies both types of device files.

To verify that the device files for the disk array devices were created:

1. Display the block-type device files in the **/dev/dsk** directory using the **ls -l** command with the output piped to **more**. Verify there is one block-type device file for each disk array device.

Example

```
# ls -l /dev/dsk | more
```

```
Total 0
```

```
brw-r - - - - - 1 bin sys 28 0x006000 Dec 6 15:08  
c6t0d0
```

```
brw-r - - - - - 1 bin sys 280 0x06100 Dec 6 15:08  
c6t0d1
```

2. Verify that the block-type device file name for each device is correct.
3. Display the character-type device files in the **/dev/rdsk** directory using the **ls -l** command with the output piped to **more**. Verify that there is one character-type device file for each disk array device.

Example

```
# ls -l /dev/rdisk | more

Total 0

crw-r - - - - 1 bin sys 177 0x006000 Dec 6 15:08
c6t0d0

crw-r - - - - 1 bin sys 177 0x006100 Dec 6 15:08
c6t0d1
```

4. Use the device data table you created to verify that the character-type device file name for each device is correct.

This task can also be accomplished with the **lssf** command.

5. After verifying the block-type and character-type device files, verify the HP-UX driver for the disk array using the **ioscan -fn** command.

Example

```
# ioscan -fn
Class   I  H/W Path                Driver      S/W State H/W Type   Description
=====
bc      0                               root        CLAIMED   BUS_NEXUS
bc      1  8                          bc          CLAIMED   BUS_NEXUS   Bus Converter
fc      0  8/12                       fcT1       CLAIMED   INTERFACE   HP Fibre Channel Mass Storage
fcP     0  8/12.8                     fcp        CLAIMED   INTERFACE   FCP Protocol Adapter
ext_bus 2  8/12.8.0.255.0            fcpdev     CLAIMED   INTERFACE   FCP Device Interface
disk    3  8/12.8.8.255.0.6.0       sdisk      CLAIMED   DEVICE      HITACHI OPEN-9
                /dev/dsk/c2t6d0          /dev/rdisk/c2t6d0
disk    4  8/12.8.8.255.0.6.1       sdisk      CLAIMED   DEVICE      HITACHI OPEN-9
                /dev/dsk/c2t6d1          /dev/rdisk/c2t6d1
disk    5  8/12.8.8.255.0.8.0       sdisk      CLAIMED   DEVICE      HITACHI 3390*3B
                /dev/dsk/c2t8d0          /dev/rdisk/c2t8d0

:
#
```

Creating the device files

If the device files were not created automatically when the system was restarted, use the **insf -e** command in the **/dev** directory to create the device files. After this command is executed, repeat the procedures in the previous section (page 36) to verify new device recognition and the device files and driver.

Example

```
# insf -e

insf: Installing special files for mux2 instance 0
address 8/0/0

          :          :          :          :
          :          :          :          :

#
```

Failure of the **insf -e** command indicates a SAN problem.

If the device files for the new disk array devices cannot be created automatically, you must create the device files manually using the **mknod** command as follows:

1. Retrieve the device information you recorded earlier.
2. Construct the device file name for each device, using the device information, and enter the file names in your table. Use the following formula to construct the device file name:

cxydz

where

x = SCSI bus instance number

y = SCSI target ID

z = LUN

c stands for controller, **t** stands for target ID, and **d** stands for device. The numbers *x*, *y*, and *z* are hexadecimal.

- Construct the minor number for each device, using the device information, and enter the file names in your table. Use the following formula to construct the minor number:

$0xxyz00$

where

xx = SCSI bus instance number

y = SCSI target ID

z = LUN

- Display the driver information for the system using the **lsdev** command.

Example

```
# lsdev

Character    Block    Driver    Class
:           :        :         :
188         31      sdisk     disk

#
```

- Enter the major numbers for the device drivers into the table. You should now have all required device and driver information in the table.
- Create the device files for all disk array devices (SCSI disk and multiplatform devices) using the **mknod** command. Create the block-type device files in the **/dev/dsk** directory and the character-type device files in the **/dev/rdisk** directory.

Example

```
# cd /dev/dsk Go to /dev/dsk directory.
```

```
# mknod /dev/dsk/c2t6d0 b 31 0x026000
```

Create block-type file.

File name, b=block-type, 31=major #, 0x026000= minor #

```
# cd /dev/rdisk Go to /dev/rdisk directory.
```

```
# mknod /dev/rdisk/c2t6d0 c 188 0x026000
```

Create character-type file.

File name, c=character-type, 177=major #,
0x026000=minor #

:
#

The character-type device file is required for volumes used as raw devices (for example, 3390-3A/B/C). The block-type device file is not required for volumes used as raw devices.

If you need to delete a device file, use the **rm -i** command.

Example of a completed device data table

Bus no.	Instance (XX)	Disk no.	H/W path	Driver	Device type	TID (Y)	LUN (Z)	Device file	Minor # 0xXXYZ00	Major # for char. files	Major # for block files
8/12	02	3	8/12.8.8.255.0.6.0	sdisk	OPEN-9	6	0	c2t6d0	0x026000	188	31
8/12	02	4	8/12.8.8.255.0.6.1	sdisk	OPEN-9	6	1	c2t6d1	0x026100	188	31
8/12	02	5	8/12.8.8.255.0.8.0	sdisk	3390-3B	8	0	c2t8d0	0x028000	188	31

Creating the physical volumes

A physical volume must be created for each new SCSI disk device.

To create the physical volumes:

1. Use the **pvcreate** command to create the physical volumes with the character-type device file as the argument. Specify the **/dev/rdisk** directory.

Example

```
# pvcreate /dev/rdisk/c6t0d0
```

```
Physical volume "/dev/rdisk/c6t0d0" has been  
successfully created.
```

```
:
```

```
# pvcreate /dev/rdisk/c6t0d1
```

```
Physical volume "/dev/rdisk/c6t0d1" has been  
successfully created.
```

Do not use the **-f** option with the **pvcreate** command. This option creates a new physical volume forcibly and overwrites the existing volume. If you accidentally enter the character-type device file for an existing volume, you will lose the data on that volume.

2. Repeat step 1 for each OPEN-*x* device on the disk array.

Creating new volume groups

You must create new volume groups for the new physical volumes. If desired, you can also add any of the volumes on the disk array to existing volume groups using the **vgextend** command. The physical volumes that make up one volume group can be located either in the same disk array or in other disk arrays.

To allow more volume groups to be created, use SAM to modify the HP-UX system kernel configuration. See appendix C ([page 73](#)) for details.

To create volume groups:

1. Use the **vgdisplay** command to display the existing volume groups.
2. Choose a unique name for the new volume group (for example: vg06).
3. Create the directory for the new volume group.

Example

```
# mkdir /dev/vg06
```

4. Use the **ls -l** command (with the output piped to **grep** to display only the files containing “group”) to display the minor numbers for the existing group files.

Example

```
# ls -l /dev/vg* | grep group
```

```
crw-rw-rw 1 root root 64 0x0000000 Nov7 08:13  
group
```

:

5. Choose a unique minor number for the new group file in sequential order (for example, when existing volume groups are vg00-vg05 and the next group name is vg06, use minor number 06 for the vg06 group file).

The minor numbers are hexadecimal (for example, the 10th minor number is 0x0a0000).

6. Use **mknod** to create the group file for the new directory. Specify the volume group name, major number, and minor number. The major number for all group files is 64.

Example In this example: group name = vg06, major number of group file = 64, minor number of existing group file = 06 (which must be unique for each volume group), and c = character.

```
# mknod /dev/vg06/group c 64 0x060000  
:
```

7. Create the volume group.

To allocate more than one physical volume to the new volume group, add the other physical volumes, separated by a space.

Example # vgcreate /dev/vg06 /dev/dsk/c6t0d0

```
Volume group "/dev/vg06" has been successfully  
created.
```

```
Volume group configuration for /dev/vg06 has been  
saved in /etc/lvmconf/vg06.conf.
```

For Logical Unit Size Expansion (LUSE) volumes that contain more than 17 OPEN-8/9 LDEVs or more than 7043 MB (OPEN-8/9*n-CVS), use the **-s** and **-e** physical extent (PE) parameters of the **vgcreate** command. See “LUSE device parameters” ([page 68](#)).

If you need to delete a volume group, use the **vgremove** command (for example, **vgremove /dev/vgnn**). If the **vgremove** command does not work because the volume group is not active, use the **vgexport** command (for example, **vgexport /dev/vgnn**).

8. Use the **vgdisplay** command to verify that the new directory was created.
9. Use **vgdisplay -v** to verify that the volume group was created correctly. The **-v** option displays the detailed volume group information.

Example

```
# vdisplay -v /dev/vg06

- - - Volume groups - - -
VG Name           /dev/vg06
VG Write Access   read/write
VG Status         available
Max LV            255
Cur LV           0
Open LV           0
Max PV            16
Cur PV           1
Act PV            1
Max PE per PV    1016
VGDA              2
PE Size (Mbytes) 4
Total PE          586
Alloc PE          0
Free PE           586
Total PVG         0

- - Physical Volumes - - -
PV Name           /dev/dsk/c6t0d0
PV Status         available
Total PE          586
Free PE           586
```

Creating logical volumes

Use these commands for logical volume configuration:

lvremove	Deletes a logical volume. Any file system attached to the logical volume must be unmounted before executing the lvremove command. <i>Example: lvremove /dev/vgmn/lvolx</i>
lvextend	Increases the size of an existing logical volume. <i>Example: lvextend -L size /dev/vgmn/lvolx</i>
lvreduce	Decreases the size of an existing logical volume. Any file system attached to the logical volume must be unmounted before executing the lvreduce command. <i>Example: lvreduce -L size /dev/vgmn/lvolx</i>

Caution *Data within the file system can be lost after execution of **lvreduce**.*

Create logical volumes after you create volume groups. A logical volume must be created for each new SCSI disk device

To create logical volumes:

1. Use the **lvcreate -L** command to create a logical volume.

Specify the volume size (in megabytes) and the volume group for the new logical volume. HP-UX assigns the logical volume numbers automatically (lvol1, lvol2, lvol3). Use the following capacity values for the size parameter:

OPEN-K = 1740
OPEN-3 = 2344
OPEN-8 = 7004
OPEN-9 = 7004
OPEN-E = 13888

OPEN-L = 34756

OPEN-V = 61432

To calculate S1 for CVS, LUSE, and CVS LUSE volumes, first use the **vgdisplay** command to display the physical extent size (PE Size) and usable number of physical extents (Free PE) for the volume.

Calculate the maximum size value (in MB) as follows:

$$S1 = (\text{PE Size}) \times (\text{Free PE})$$

Logical volumes can span multiple physical volumes. Use the **diskinfo** command for extended LUNs.

Example

Create an OPEN-3 logical volume the size of the physical volume, using 2344 for the size parameter. An OPEN-9 volume uses 7040 for the size parameter to create a logical volume the size of the physical volume.

```
# lvcreate -L 2344 /dev/vg06
```

```
Logical volume "/dev/vg06/lvol1" has been  
successfully created with character device  
"/dev/vg06/rlvol1".
```

```
Logical volume "/dev/vg06/lvol1" has been  
successfully extended.
```

```
Volume Group configuration for /dev/vg06 has been  
saved in /etc/lvmconf/vg06.cof.
```

2. Use the **lvdisplay** command to verify that the logical volume was created correctly.

Example

```
# lvdisplay /dev/vg06/lvol1
- - - Logical volume - - -
LV Name           /dev/vg06/lvol1
VG Name           /dev/vg06
LV Permission     read/write
LV Status         available/syncd
Mirror copies     0
Consistency Recovery MWC
Schedule          parallel
LV Size (Mbytes)  2344
Current LE        586
Allocated PE      586
Stripes           0
Stripe Size (Kbytes) 0
Bad block        on
Allocation        strict
```

3. Repeat steps 1 and 2 for each logical volume to be created.

You can create only one logical volume at a time. However, you can verify multiple logical volumes at a time.

Creating the file systems

Create the file system for each new logical volume on the disk array. The default file system types are:

- HP-UX OS version 10.20 = **hfs** or **vxfs**, depending on entry in the `/etc/defaults/fs` file
- HP-UX OS version 11.0 = **vxfs**
- HP-UX OS version 11.i = **vxfs**

To create file systems:

1. Use the **newfs** command to create the file system using the logical volume as the argument.

Example # newfs /dev/vg06/rlvol1

newfs: /etc/default/fs is used for determining the file system type

mkfs (hfs): Warning -272 sectors in the last cylinder are not allocated.

mkfs (hfs): /dev/vg06/rlvol1 - 2400256 sectors in 3847 cylinders of 16 tracks, 2547.9MB in 241 cyl groups (16 c/g, 10.22Mb/g, 1600 ig/g)

Super block backups (for fsck -b) at:

16, 10040, 20064, 30038, 40112, 50136, 60160, 70184, 80208, 90232, . . . 2396176

Example # newfs /dev/vg06/rlvol1 *Create file system*

newfs: / etc/default/fs is used for determining the file system type

mkfs (hfs): ...

:

7188496, 7198520, 7208544

Example # newfs -F vxfs /dev/vg06/rlvol1 *Specify file system type*

:

newfs -F hfs /dev/vg06/rlvol2

2. Repeat step 1 for each logical volume on the disk array.

Setting the I/O timeout parameter

Set the I/O timeout value for each disk device to 30 seconds.

To change the I/O timeout parameter:

1. Verify the current I/O timeout value using the **pvdisplay** command:

Example

```
# pvdisplay /dev/dsk/c0t6d0
```

This causes current values to be displayed:

```
--- Physical volumes ---
PV Name           /dev/dsk/c0t6d0
VG Name           /dev/vg06
PV Status         available
Allocatable      yes
VGDA              2
Cur LV           1
PE Size (Mbytes) 4
Total PE         586
Free PE          0
Allocated PE     586      [OPEN-9]
Stale PE         0
IO Timeout (Seconds) default [I/O timeout value]
```

2. If the I/O timeout value is not 30, change the value to 30 using the **pvchange -t** command:

Example

```
# pvchange -t 30 /dev/dsk/c0t6d0
```

This result is displayed:

```
Physical volume "/dev/dsk/c0t6d0" has been
successfully changed.
Volume Group configuration for /dev/vg06 has been
saved in /etc/lvmconf/vg06.cof
```

3. Verify that the new I/O timeout value is 30 seconds using the **pvdisplay** command:

Example

```
# pvdisplay /dev/dsk/c0t6d0
```

Current values are now displayed, confirming that the new I/O timeout value is 30 seconds:

```

--- Physical volumes ---
PV Name           /dev/dsk/c0t6d0
VG Name           /dev/vg06
PV Status         available
:
Stale PE          0
IO Timeout (Seconds) 30  [New I/O timeout value]

```

4. Repeat the above steps for each new disk that is connected to the system.

Creating the mount directories

Create a mount directory for each logical volume. Choose a unique name for each mount directory that identifies the logical volume.

Example The following example shows the root directory as the location for the mount directories.

To create a mount directory for each logical volume:

1. Use **mkdir** with the new mount directory name as the argument to create the mount directory.

```
# mkdir /AHPMD-LU00
```

2. Use the **ls -x** command to verify the new mount directory.

```
# ls -x
```

```

AHPMD-LU00  bin      dev      device   etc      export
floppy      home    hstsboof  kadb    kernel  lib

```

3. Repeat steps 1 and 2 for each logical volume on the disk array.

Mounting and verifying the file systems

After the mount directories have been created, mount and verify the file system for each logical volume.

To mount and verify the file systems:

1. Use **mount** to mount the file system for the volume.

Example # mount /dev/vg06/lvol1 /AHPMD-LU00

2. Repeat step 1 for each logical volume on the disk array.

If you need to unmount a file system, use the **umount** command.

3. Use the **bdf** command to verify that the file systems are correct. The capacity is listed under Kbytes.

Example

```
# bdf
Filesystem      Kbytes  used avail %used Mounted on
/ldev/vg00/lvol1 59797 59364    0 100% /
:
/ldev/vg06/lvol1 2348177    9 2113350    0% /AHPMD-LU00
```

4. As a final verification, perform some basic UNIX operations (for example file creation, copying, and deletion) on each logical device to make sure that the devices on the disk array are fully operational.

Example

```
#cd /AHPMD-LU00

#cp /bin/vi /AHPMD-LU00/vi.back1

#ls -l

drwxr-xr-t    2  root   root           8192 Mar  15
11:35  lost+found

-rwxr-xr-x    1  root   sys           217088 Mar  15
11:41  vi.back1

#cp vi.back1 vi.back2

#ls -l
```

```

drwxr-xr-t    2  root   root           8192 Mar  15
11:35  lost+found

-rwxr-xr-x    1  root   sys          217088 Mar  15
11:41  vi.back1

-rwxr-xr-x    1  root   sys          217088 Mar  15
11:52  vi.back2

```

Setting and verifying the auto-mount parameters

Set up and verify the auto-mount parameters for each new volume. The `/etc/checklist` file (which can also be called the `/etc/fstab` file) contains the auto-mount parameters for the logical volumes.

To set up and verify the auto-mount parameters:

1. Edit the `/etc/checklist` (`/etc/fstab`) file to add a line for each OPEN-*x* device on the disk array. This example and the following table show the auto-mount parameters.

Example

```

#cp -ip /etc/checklist /etc/checklist.standard
#vi /etc/checklist
/dev/vg00/lvol1    /                hfs    rw        0        1        # root
/dev/vg00/lvol2    swap            ignore  rw        0        0        # primary swap
:
/dev/vg06/lvol1    /AHPMD-LU00     hfs    defaults  0        2        # AHPMD-LU00
/dev/vg06/lvol2    /AHPMD-LU01     hfs    defaults  0        2        # AHPMD-LU01
P1                P2                P3                P4                P5                P6                P7

```

Parameter	Name	Enter
P1	Device to mount	Block-type device file name
P2	Mount point	Mount directory name
P3	File system	Type of file system (for example, hfs, vxfs)
P4	Mount options	“defaults” or other appropriate mount options
P5	Enhance	0
P6	File system check (fsck pass)	Order for performing file system checks
P7	Comments	Comment statement

2. Reboot the system.
3. Use the **bdf** command to verify the file system again.

Troubleshooting

This section includes resolutions for various error conditions you may encounter.

If you are unable to resolve an error condition, ask your HP support representative for assistance. See “Calling the HP support center” on [page 59](#).

Error conditions

Depending on your system configuration, you may be able to view error messages as follows:

- In Remote Web Console (Status tab)
- In Command View Advanced Edition (“Alerts” panel).
- In Command View (Event History or Event Notification panels).

Error Condition	Recommended Action
The logical devices are not recognized by the host.	Verify that the READY indicator lights on the disk array are ON. Verify that fiber cables are correctly installed and firmly connected. Verify that the target IDs are properly configured. The LUNs for each TID must start at 0 and continue sequentially without skipping any numbers. Verify that the TIDs/WWNs on each bus are unique. Do not install two devices with the same ID on the same bus. Recheck the buses for new devices. Verify that LUSE devices are not intermixed with normal LUNs on the same port. Verify that the maximum number of LUSE devices per port has not been exceeded. Verify that the disk array host mode is set correctly.
The host does not reboot properly after hard shutdown.	If you power off the host without executing the shutdown process, wait three minutes to allow the disk array’s internal timeout process to purge queued commands. If the host restarts while the disk array is processing queued commands, the host may not reboot successfully.

Error Condition	Recommended Action
Physical volumes cannot be created (pvcreate).	<p>Verify that the disk array logical devices are correctly formatted.</p> <p>Verify that the character-type device file exists.</p> <p>Verify that the correct character-type device file name is used with pvcreate (for example, /dev/rdisk/...).</p>
Volume group cannot be created (vgcreate).	<p>Verify that the directory for the new volume group exists.</p> <p>Verify that the control file exists.</p> <p>Verify that the correct major number (64) and minor number are used with mknod.</p> <p>Verify that the block-type device file exists and is entered correctly with vgcreate.</p> <p>Verify that the physical volume is not already allocated to another volume group.</p>
Logical volumes cannot be created (lvcreate).	<p>Verify that the volume capacity for OPEN-x volumes is not greater than the maximum capacity allowed. See the Device Emulations Appendix.</p> <p>Verify that the capacity of the volume group is not less than the total capacity of the partitioned logical volume.</p>
The file system cannot be created (newfs command).	<p>Verify that the character-type device file is entered correctly with newfs (for example, /dev/vg01/r/vo/x).</p>
A file system is not mounted after rebooting.	<p>Verify that the host was restarted correctly.</p> <p>Verify that the file system attributes are correct.</p> <p>Verify that the auto-mount information in the /etc/checklist (/etc/fstab) file is correct.</p>

Error Condition	Recommended Action
The disk array performs a self reboot because the disk array was busy or it logged a panic message.	Reboot the host.
The disk array responds “Not Ready” or the disk array has displayed “Not Ready” and timed out.	Contact HP.
The host detects a parity error.	Check the HBA and make sure it was installed properly. Reboot the host.
The host hangs or devices are declared and the host hangs.	Make sure there are no duplicate disk array TIDs and that disk array TIDs do not conflict with any host TIDs.

Calling the HP support center

If you are unable to resolve an error condition, contact the HP support center for assistance.

Contact Information

In North America, call technical support at 1-800-633-3600, available 24 hours a day, 7 days a week.

Outside North America, call technical support at the location nearest you. The HP web site lists telephone numbers for worldwide technical support at: <http://www.hp.com/support>. From this web site, select your country.

Before you call

Be sure to have the following information available:

- Technical support registration number (if applicable)
- Product serial numbers
- Product model names and numbers
- Applicable error messages
- Operating system type and revision level
- Detailed, specific questions

A

Worksheets

B

Disk array device emulations

This appendix provides information about supported emulations and device type specifications. Some parameters may not be relevant to your array. Consult your HP representative for information about supported configurations for your system.

Supported emulations

XP Model	OPEN Emulation Type	OPEN Emulation Supported	LUSE	CVS	LUSE & CVS
XP128 XP1024 XP10000 XP12000	OPEN-3	Yes	Yes	Yes	Yes
	OPEN-8	Yes	Yes	Yes	Yes
	OPEN-9	Yes	Yes	Yes	Yes
	OPEN-E	Yes	Yes	Yes	Yes
	OPEN-K				
	OPEN-L	Yes	Yes		
	OPEN-M				
	OPEN-V	Yes	Yes		

Device type specifications

Device Type (Note 1)	Category (Note 2)	Blocks (512 bytes)	Sector Size (bytes)	# of Cylinders	Heads	Sectors per Track	Capacity MB* (Note 3)
OPEN-3	SCSI disk	4806720	512	3338	15	96	2347
OPEN-8	SCSI disk	14351040	512	9966	15	96	7007
OPEN-9	SCSI disk	14423040	512	10016	15	96	7042
OPEN-E	SCSI disk	28452960	512	19759	15	96	13893
OPEN-L	SCSI disk	71192160	512	49439	15	96	34761
OPEN-V	SCSI disk	max=125827200	512	Note 5	15	128	Note 6
LUSE							
OPEN-3*n	SCSI disk	4806720*n	512	3338*n	15	96	2347*n
OPEN-8*n	SCSI disk	14351040*n	512	9966*n	15	96	7007*n
OPEN-9*n	SCSI disk	14423040*n	512	10016*n	15	96	7042*n
OPEN-E*n	SCSI disk	28452960*n	512	19759*n	15	96	13893*n
OPEN-L*n	SCSI disk	71192160*n	512	49439*n	15	96	34761*n
OPEN-V*n	SCSI disk	max=125827200 Note 4	512	Note 5	15	128	Note 6
CVS							
OPEN-3 CVS	SCSI disk	Note 4	512	Note 5	15	96	Note 6
OPEN-8 CVS	SCSI disk	Note 4	512	Note 5	15	96	Note 6
OPEN-9 CVS	SCSI disk	Note 4	512	Note 5	15	96	Note 6
OPEN-E CVS	SCSI disk	Note 4	512	Note 5	15	96	Note 6
CVS LUSE							
OPEN-3*n CVS	SCSI disk	Note 4	512	Note 5	15	96	Note 6
OPEN-8*n CVS	SCSI disk	Note 4	512	Note 5	15	96	Note 6
OPEN-9*n CVS	SCSI disk	Note 4	512	Note 5	15	96	Note 6
OPEN-E*n CVS	SCSI disk	Note 4	512	Note 5	15	96	Note 6
OPEN-V*n	SCSI disk	Note 4	512	Note 5	15	128	Note 6

*Capacity = (512 x number of blocks) ÷ 1024²

- Note 1:** The availability of a disk type depends on the disk array.
- Note 2:** The devices are defined to the host as SCSI disk devices, even though the interface is Fibre Channel.
- Note 3:** The device capacity can sometimes be changed by the BIOS or host adapter board. This may make actual capacity different from that listed in the table.

Note 4: The number of blocks for a CVS volume is calculated as follows:
 # of blocks = (# of cylinders) × (# of heads) × (# of sectors per track)

Example 1: For an OPEN-3 CVS volume with capacity = 37 MB:
 # of blocks = (53 cylinders—see Note 5) × (15 heads) × (96 sectors per track) = 76320

Example 2: For an OPEN-V CVS volume with capacity = 49 MB:
 # of blocks = (53 cylinders—see Note 5) × (15 heads) × (128 sectors per track) = 101760

Note 5: The number of cylinders for a CVS volume is calculated as follows (↑...↑ means that the value should be rounded up to the next integer):

OPEN-3/8/9/E: The number of cylinders for a CVS volume =
 # of cylinders = ↑ (capacity (MB) specified by user) × 1024/720 ↑

Example: For an OPEN-3 CVS volume with capacity = 37 MB:
 # of cylinders = ↑37 × 1024/720↑ = ↑52.62↑ (rounded up to next integer) = 53 cylinders

OPEN-V: The number of cylinders for a CVS volume =
 # of cylinders = ↑ (capacity (MB) specified by user) × 16/15 ↑

Example: For an OPEN-V CVS volume with capacity = 49 MB:
 # of cylinders = ↑49 × 16/15↑ = ↑52.26↑ (rounded up to next integer) = 53 cylinders

OPEN-3/8/9/E: The number of cylinders for a CVS LUSE volume =
 # of cylinders = ↑ (capacity (MB) specified by user) × 1024/720 ↑ × n

Example: For a CVS LUSE volume with capacity = 37 MB and n = 4
of cylinders = $\lceil 37 \times 1024 / 720 \rceil \times 4 = \lceil 52.62 \rceil \times 4 = 53 \times 4 = 212$

OPEN-V: The number of cylinders for a CVS LUSE volume =
of cylinders = $\lceil (\text{capacity (MB) specified by user}) \times 16 / 15 \rceil \times n$

Example: For an OPEN-V CVS LUSE volume with capacity = 49 MB and n = 4
of cylinders = $\lceil 49 \times 16 / 15 \rceil \times 4 = \lceil 52.26 \rceil \times 4 = 53 \times 4 = 212$

Note 6: The capacity of an OPEN-3/8/9/E CVS volume is specified in MB, not number of cylinders. The capacity of an OPEN-V CVS volume can be specified in MB or number of cylinders. You set the volume size using the Remote Web Console, Command View or Command View Advanced Edition software.

LUSE device parameters

Device type		Physical extent size (PE)	Max physical extent size (MPE)
OPEN-K/3/8/9/E OPEN-3/K*n (n= 2 to 36) OPEN-3/K-CVS OPEN-3/K*n-CVS (n = 2 to 36)		default	default
OPEN-8/9*n	n = 2 to 17	default	default
	n = 18	8	15845
	n = 19	8	16725
	n = 20	8	17606
	n = 21	8	18486
	n = 22	8	19366
	n = 23	8	20247
	n = 24	8	21127
	n = 25	8	22007
	n = 26	8	22888
	n = 27	8	23768
	n = 28	8	24648
	n = 29	8	25529
	n = 30	8	26409
	n = 31	8	27289
	n = 32	8	28170
	n = 33	8	29050
n = 34	8	29930	
n = 35	8	30810	
	n = 36	8	31691

Device type		Physical extent size (PE)	Max physical extent size (MPE)
OPEN-E*n	n = 2 to 9	default	default
	n = 10	8	17366
	n = 11	8	19102
	n = 12	8	20839
	n = 13	8	22576
	n = 14	8	24312
	n = 15	8	26049
	n = 16	8	27786
	n = 17	8	29522
	n = 18	8	31259
	n = 19	8	32995
	n = 20	8	34732
	n = 21	8	36469
	n = 22	8	38205
	n = 23	8	39942
	n = 24	8	41679
	n = 25	8	43415
	n = 26	8	45152
	n = 27	8	46889
	n = 28	8	48625
	n = 29	8	50362
	n = 30	8	52098
	n = 31	8	53835
	n = 32	8	55572

Device type		Physical extent size (PE)	Max physical extent size (MPE)
	n = 33	8	57308
	n = 34	8	59045
	n = 35	8	60782
	n = 36	8	62518
OPEN-L*n	n = 2 to 3	default	default
OPEN-8/9/E-CVS OPEN-V		default	default
OPEN-8/9/E*n-CVS OPEN-V*n (n = 2 to 36)	70 to 119731(MB) × N1	8	default
	119732 to (MB) × N1	8	N2
<p>N1 = [VCS volume capacity (in MB) from Remote Console PC] × n</p> <p>N2 = \uparrow N1 / PE \uparrow (\uparrow means round up to next integer)</p> <p>Example: CVS volume capacity is 6000 MB for OPEN-9*22-CVS volume:</p> <p>N1 = 6000 × 22 = 132000</p> <p>N2 = \uparrow 132000/8 \uparrow = 16500</p>			

SCSI TID map for Fibre Channel adapters

When an arbitrated loop (AL) is established or reestablished, the port addresses are assigned automatically to prevent duplicate TIDs. With the SCSI over Fibre Channel protocol (FCP), there is no longer a need for target IDs in the traditional sense.

SCSI is a bus-oriented protocol requiring each device to have a unique address since all commands go to all devices. For Fibre Channel, the AL-PA is used instead of the TID to direct packets to the desired destination.

Unlike traditional SCSI, when control of the loop is acquired, a point-to-point connection is established from initiator to target. To enable transparent use of FCP, the operating system maps a TID to each AL-PA.

The host maps SCSI protocol to Fibre Channel protocol and detects and accesses Fibre Channel-connected devices using device files (`/dev/dsk/c*t*d*` and `/dev/rdisk/c*t*d*`) in the same way as for SCSI-connected devices. The device files for Fibre Channel-connected devices are configured in a different way from SCSI-connected devices, because Fibre Channel supports 126 addresses per path while SCSI supports 16 TIDs per path.

The following table identifies the fixed mappings between the TID (drive) values assigned by the operating system and the Fibre Channel native addresses (AL_PA/SEL_ID) for Fibre Channel adapters. The controller number (the `dks` value in `/dev/dsk/dks*d*l*s*`) depends on the server configuration, and a different value is assigned per each column.

The mapping cannot be done when these conditions exist:

- disk array devices and other types of devices are connected in the same loop
- information for unused devices remains in the server system
- multiple ports participate in the same arbitrated loop

AL-PA	t value	AL-PA	t value	AL-PA	t value	AL-PA	t value	AL-PA	t value	AL-PA	t value	AL-PA	t value	AL-PA	t value
EF	0	CD	0	B2	0	98	0	72	0	55	0	3A	0	25	0
E8	1	CC	1	B1	1	97	1	71	1	54	1	39	1	23	1
E4	2	CB	2	AE	2	90	2	6E	2	53	2	36	2	1F	2
E2	3	CA	3	AD	3	8F	3	6D	3	52	3	35	3	1E	3
E1	4	C9	4	AC	4	88	4	6C	4	51	4	34	4	1D	4
E0	5	C7	5	AB	5	84	5	6B	4	4E	5	33	5	1B	5
DC	6	C6	6	AA	6	82	6	6A	6	4D	6	32	6	18	6
DA	7	C5	7	A9	7	81	7	69	7	4C	7	31	7	17	7
D9	8	C3	8	A7	8	80	8	67	8	4B	8	2E	8	10	8
D6	9	BC	9	A6	9	7C	9	66	9	4A	9	2D	9	0F	9
D5	10	BA	10	A5	10	7A	10	65	10	49	10	2C	10	08	10
D4	11	B9	11	A3	11	79	11	63	11	47	11	2B	11	04	11
D3	12	B6	12	9F	12	76	12	5C	12	46	12	2A	12	02	12
D2	13	B5	13	9E	13	75	13	5A	13	45	13	29	13	01	13
D1	14	B4	14	9D	14	74	14	59	14	43	14	27	14	00	–
CE	15	B3	15	9B	15	73	15	56	15	3C	15	26	15		

Reference information for SAM

The HP System Administrator Manager (SAM) is used to perform HP-UX system administration functions, including:

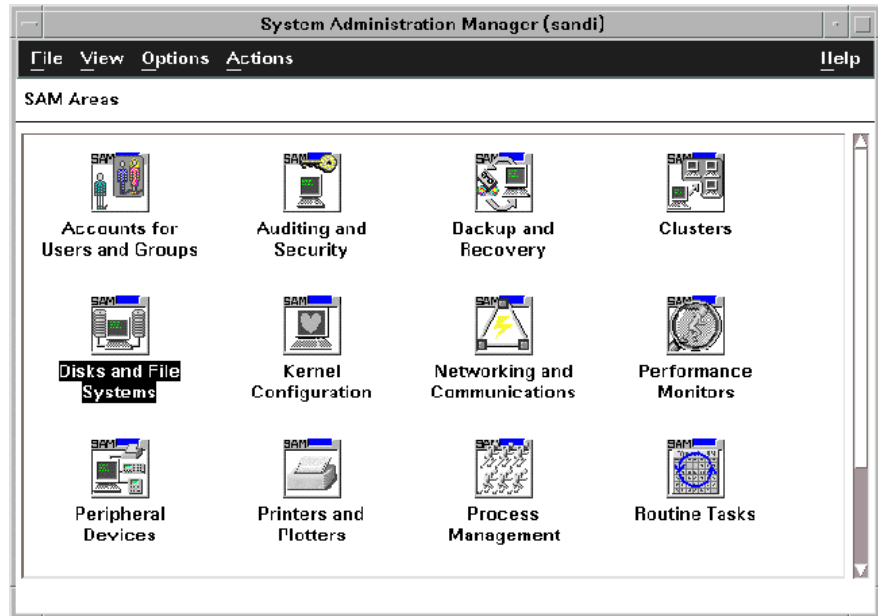
- setting up users and groups
- configuring the disks and file systems
- performing auditing and security activities
- editing the system kernel configuration

This appendix provides instructions for:

- using SAM to configure the disk devices
- using SAM to set the maximum number of volume groups

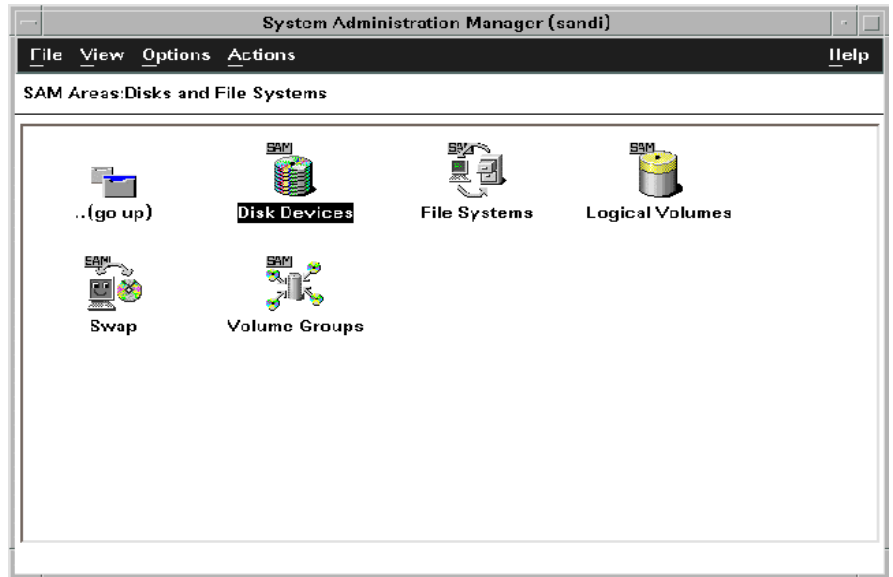
Configuring the devices using SAM

The SAM Areas window displays the system administration functions and allows you to select the desired function. The **Disks and File Systems** function allows you to configure new disk devices for LVM operations.



To configure the newly installed SCSI disk devices:

1. Select **Disks and File Systems**, then select **Disk Devices**.



2. Verify that the new disk array devices are displayed in the **Disk Devices** window.
3. Select the device to configure, select the **Actions** menu, select **Add**, and then select **Using the Logical Volume Manager**.
4. In the **Add a Disk Using LVM** window, select **Create...** or **Extend a Volume Group**.
5. In the **Create a Volume Group** window, enter the name of the new or existing volume group to assign the new device to, and then click **OK** twice. The **Add a Disk Using LVM** window now displays the volume group name.
6. Select **Add New Logical Volume** to open the **Create New Logical Volumes** window.
7. In the **Create New Logical Volumes** window, enter the name, size in megabytes, and mount directory for the new logical volume. Select **Add**, and then click **OK** twice.
8. Repeat steps 3 through 7 for each new disk device on the disk array.

Setting the maximum number of volume groups using SAM

The HP-UX kernel specifies the maximum number of volume groups that can be created. The default is 10. You may need to change this number to accommodate new devices on the disk array. To change this number, use the Kernel Configuration function.

To change the maximum number of volume groups:

1. Select the **Kernel Configuration** function, then select **Configurable Parameters**.
2. In the **Configurable Parameters** window, select the **maxvgs** parameter, select the **Actions** menu, and then select **Modify Configurable Parameter**.
3. In the **Modify Configurable Parameter** window, enter the desired maximum number of volume groups in the **Formula/Value** field, and then click **OK**.
4. In the **Configurable Parameters** window, make sure that none of the parameters are selected. Then select the **Actions** menu, and select **Create New Kernel**.
5. When the configuration window opens, click **Yes** to create the new kernel (or click **No** to return to the **Configurable Parameters** window.)
6. When the **Reboot the System** window opens, click **OK** to move the new kernel into place and reboot the system.

AL	Arbitrated loop.
AL-PA	Arbitrated loop physical address.
array group	A group of 4 or 8 physical hard disk drives (HDDs) installed in an XP disk array and assigned a common RAID level. RAID1 array groups are made up of 4 HDDs (2D+2D). A RAID1 group is two 4 HDD array groups concatenated together (4D+4D). RAID5 array groups are made up of 4 or 8 HDDs, depending on whether they are RAID5 3D+1P or RAID5 7D+1P, respectively. All RAID6 array groups are made up of 8 HDDs (6D+2P).
BC	HP StorageWorks Business Copy XP. BC lets you maintain up to nine local copies of logical volumes on the disk array.
CA	HP StorageWorks Continuous Access XP. CA lets you create and maintain duplicate copies of local logical volumes on a remote disk array.
Command View (CVXP)	HP StorageWorks Command View XP, a software product for managing XP arrays. Command View runs on a Windows-based management workstation.
Command View XP Advanced Edition (CVXP AE)	HP StorageWorks Command View XP Advanced Edition, installs on the user-provided Device Manager server and provides a browser-based platform from which you can manage the XP family of disk arrays—even globally distributed arrays.
command device	A volume on the disk array that accepts Continuous Access or Business Copy control operations which are then executed by the disk array.
CU	Control Unit. Contains LDEVs and is approximately equivalent to SCSI Target ID.

CVS	Custom volume size. CVS devices (OPEN-x CVS) are custom volumes configured using array management software to be smaller than normal fixed-size OPEN system volumes. Synonymous with volume size customization (VSC).
DKC (disk controller unit)	The array cabinet that houses the channel adapters and service processor (SVP).
DKU (disk cabinet unit)	The array cabinets that house the disk array physical disks.
emulation modes	The logical devices (LDEVs) associated with each RAID group are assigned an emulation mode that makes them operate like OPEN system disk drives. The emulation mode determines the size of an LDEV: OPEN-3: 2.46 GB OPEN-8: 7.38 GB OPEN-9: 7.42 GB OPEN-E: 13.56 GB OPEN-L: 36 GB OPEN-V: User-defined custom size
failover	Disconnecting a failed unit or path and replacing it with an alternative unit or path in order to continue functioning.
FC	Fibre Channel.
FC-AL	Fibre Channel arbitrated loop.
FCP	Fibre Channel Protocol.
GB	Gigabytes
HBA	Host bus adapter.
host mode	Each port can be configured for a particular host type. These modes are represented as two-digit hexadecimal numbers. For example, host mode 08 represents an HP-UX host.

LDEV	Logical device. An LDEV is created when a RAID group is carved into pieces according to the selected host emulation mode (that is, OPEN-3, OPEN-8, OPEN-L). The number of resulting LDEVs depends on the selected emulation mode. The term LDEV is often used synonymously with the term volume.
LUN	Logical unit number. A LUN results from mapping a SCSI logical unit number, port ID, and LDEV ID to a RAID group. The size of the LUN is determined by the emulation mode of the LDEV and the number of LDEVs associated with the LUN. For example, a LUN associated with two OPEN-3 LDEVs has a size of 4,693 MB.
LUSE	A LUN is normally associated with only a single LDEV. The LUSE feature allows a LUN to be associated with 1 to 36 LDEVs. Essentially, LUSE makes it possible for applications to access a single large pool of storage. The LUSE feature is available when the HP StorageWorks LUN Configuration Manager product is installed.
OFC	Open Fibre Control.
OPEN-x	A general term describing any one of the supported OPEN emulation modes (for example, OPEN-L).
OS	Operating system.
PA	Physical address.
path	“Path” and “LUN” are synonymous. Paths are created by associating a port, a target, and a LUN ID with one or more LDEVs.
port	A physical connection that allows data to pass between a host and the disk array. The number of ports on an XP disk array depends on the number of supported I/O slots and the number of ports available per I/O adapter. The XP family of disk arrays supports Fibre Channel (FC) ports as well as other port types. Ports are named by port group and port letter, such as CL1-A. CL1 is the group, and A is the port letter.
RAID	Redundant array of independent disks.
remote console PC	The PC running HP StorageWorks Remote Control XP.

Remote Control (RC)	HP StorageWorks Remote Control XP. A software product used for managing XP arrays.
Remote Web Console (RWC)	HP StorageWorks XP Remote Web Console. A browser-based program installed on the SVP that allows you to configure and manage the disk array.
R-SIM	Remote service information message.
SCSI	Small computer system interface.
SIM	Service information message.
SNMP	Simple Network Management Protocol.
SVP	Service processor, which is the PC built into the disk controller. The SVP provides a direct interface into the disk array. <i>SVP use is reserved for HP support representatives only.</i>
TB	Terabyte.
TID	Target ID.
Volume	On the XP array, a volume is a uniquely identified virtual storage device composed of a control unit (CU) component and a logical device (LDEV) component separated by a colon. For example 00:00 and 01:00 are two uniquely identified volumes; one is identified as CU = 00 and LDEV = 00, and the other as CU = 01 and LDEV = 00; they are two unique separate virtual storage devices within the XP array.
VSC	Volume size customization. Synonymous with CVS.
WWN	World Wide Name. A unique identifier assigned to a Fibre Channel device.

A

arbitrated-loop physical address 24
authorized resellers 8
Auto LUN XP 17
Auto Path XP 17
auto-mount parameters, setting 52

B

Business Copy XP 17, 19

C

Cache LUN XP 17
Cluster Extension XP 17
clustering 27, 28
command device(s)
 designate at least one LDEV as a 19
 RAID Manager 19
Command View 16, 19, 21, 24
Command View XP Advanced Edition 16, 19,
 21, 24, 30
configuration
 device 35
 emulation types 18
 recognition 32
 using SAM 74
 Fibre Channel ports 24
 HBAs 26

host 26
host mode, setting 21
I/O timeout parameter 49
mount directories, creating 50
port 24
System Option Mode 23

Continuous Access Extension XP 17

Continuous Access XP 17, 19

D

Data Exchange XP 17
device(s)
 configuration 35
 using SAM 74
 emulations 18
 files
 creating 38
 verifying 36
 logical, not recognized by host 56
 LUSE device parameters 68
 recognition 32
 specifications 65
 type specifications 65
 verifying 32
directories, mount 50
disk array(s)
 connecting 29

- device types 65
- features 16
- installation overview 20
- not ready message 58
- operating system versions 16
- requirements 16
- self reboot 58
- server support 16
- storage capacity 16
- supported 7
- times out 58
- documentation
 - related 8

E

- emulation(s)
 - device emulation types 18
 - supported 64
- error conditions 56

F

- fabric environment
 - parameter settings 25
 - port addresses 24
 - zoning 27, 28
- failover 18
- Fibre Channel
 - adapters, SCSI TID map 71
 - connection speed 17
 - parameter settings 25
 - ports, configuring 24
 - supported elements 17
 - topology example 25
- file system(s)
 - cannot be created 57
 - for logical volumes 47
 - mounting 51

- not mounted after rebooting 57
- verifying 36, 51

G

- glossary 77

H

- HBA(s)
 - configuring 26
 - installation, verifying 31
- host
 - configuration 26
 - doesn't reboot properly after hard shutdown 56
 - hangs up 58
 - logical devices not recognized 56
 - parity error 58
- host bus adapters, see "HBAs"
- host mode, setting 21
- HP
 - service representative tasks 21
 - technical support 59
- HP-UX, supported versions 16

I

- I/O timeout parameter, setting 49
- installation
 - connecting disk array 29
 - HBA, verifying 31
 - HP service representative tasks 21
 - overview 20

L

- LDEV(s)
 - designate at least one as a command device 19
- logical volume(s)
 - auto-mount parameters 52

- cannot be created 57
- creating 45
- file systems 47, 51
- LUN Configuration and Security Manager XP 16, 21, 29, 30
- LUN(s)
 - creating 29
 - mapping 29
 - security 27
- LUSE device parameters 68

M

- mount directories, creating 50
- multi-cluster environment 27

O

- operating system(s)
 - loading 26
 - LUN security for 28
 - multiple, fabric zoning for 28
 - supported versions of HP-UX 16

P

- parity error 58
- path(s)
 - defining 29
 - worksheet 62
- Performance Advisor XP 17
- physical volume(s)
 - cannot be created 57
 - creating 41
 - creating groups 42
- port(s)
 - address 24
 - Fibre Channel 24
 - host mode, setting 21

R

- RAID Manager command devices 19
- RAID Manager XP 17
- Remote Web Console 16, 19, 21, 24
- resellers, authorized 8
- Resource Manager XP 17

S

- SAM (HP System Administrator Manager)
 - configuring devices using 74
 - reference information 73
 - volume groups, setting maximum number 76
- SCSI disk, Fibre Channel interface and term "SCSI disk" 17
- SCSI TIP map 71
- Secure Manager XP 28
- security, LUN 27, 28
- server support 16
- SNMP configuration 19
- software, optional 17
- storage capacity 16
- StorageWorks, supported arrays 7
- system administrator, required knowledge 7
- System Option Mode, setting 23

T

- technical support 9, 59
- topology, fabric 25
- troubleshooting 55
 - error conditions 56
 - technical support 59

U

- Unix, supported versions HP-UX 16

V

- volume(s)

- groups
 - cannot be created 57
 - creating 42
 - setting maximum number 76
- logical
 - auto-mount parameters 52
 - cannot be created 57
 - creating 45
 - file systems 47, 51
- physical
 - cannot be created 57
 - creating 41
 - creating groups 42

W

- warranty 12
- web site
 - HP storage 8
- worksheet, path 62

X

- XP family
 - optional software 17
 - storage capacity 16

Z

- zoning, fabric 27, 28

Free Manuals Download Website

<http://myh66.com>

<http://usermanuals.us>

<http://www.somanuals.com>

<http://www.4manuals.cc>

<http://www.manual-lib.com>

<http://www.404manual.com>

<http://www.luxmanual.com>

<http://aubethermostatmanual.com>

Golf course search by state

<http://golfingnear.com>

Email search by domain

<http://emailbydomain.com>

Auto manuals search

<http://auto.somanuals.com>

TV manuals search

<http://tv.somanuals.com>