

# HP NC7770 PCI-X Gigabit Server Adapter User Guide



June 2007 (Second Edition)  
Part Number 336419-00B

© 2003, 2007 Hewlett-Packard Development Company, L.P.

Broadcom® is a registered trademark of Broadcom Corporation and/or its subsidiaries.

Hewlett-Packard Company shall not be liable for technical or editorial errors or omissions contained herein. The information in this document is provided "as is" without warranty of any kind and is subject to change without notice. The warranties for HP products are set forth in the express limited warranty statements accompanying such products. Nothing herein should be construed as constituting an additional warranty.

Confidential computer software. Valid license from HP required for possession, use or copying. Consistent with FAR 12.211 and 12.212, Commercial Computer Software, Computer Software Documentation, and Technical Data for Commercial Items are licensed to the U.S. Government under vendor's standard commercial license.

HP NC7770 PCI-X Gigabit Server Adapter User Guide

June 2007 (Second Edition)

Part Number 336419-00B

---

# HP Contents

## About This Guide

Technician Notes .....	v
Where to Go for Additional Help .....	vi
Telephone Numbers .....	vi

## Chapter 1

### Introduction

Overview .....	1-1
Hardware Overview .....	1-1
LED Indicators .....	1-2
UTP Category 5 Cable .....	1-2

## Chapter 2

### Installing the Adapter

Overview .....	2-1
Electrostatic Discharge Precautions .....	2-1
Installing the Adapter in a Server .....	2-2
Connecting the Network Cable .....	2-3

## Appendix A

### Regulatory Notice

Federal Communications Commissions Notice .....	A-1
Class A Equipment .....	A-1
Class B Equipment .....	A-2
Modifications .....	A-2
Cables .....	A-2
Canadian Notice (Avis Canadien) .....	A-3
Class A Equipment .....	A-3
Class B Equipment .....	A-3
European Union Notice .....	A-4
BSMI Notice .....	A-4
Japanese Notice .....	A-5
PCI-X Notice .....	A-5

## Appendix B

### Electrostatic Discharge

Overview .....	B-1
Grounding Methods .....	B-1

**Appendix C**  
**Specifications**

NC7770 PCI-X Gigabit Server Adapter Specifications..... C-1

UTP Cable Specifications ..... C-2

    Using UTP Category 5 Cable in Gigabit Over Copper Installations..... C-2

RJ-45 Pinouts and Crossover Function..... C-2

    10/100 Straight-Through Pinouts ..... C-2

    10/100 Crossover Pinouts..... C-3

    Gigabit over Copper Internal Straight- Through Pinouts ..... C-4

    Gigabit over Copper External Crossover Pinouts..... C-4

---

## About This Guide

Use this guide as reference when installing and maintaining the HP NC7770 PCI-X Gigabit Server Adapter.



**WARNING:** To reduce the risk of personal injury from electric shock and hazardous energy levels, only authorized service technicians should attempt to repair this equipment. Improper repairs can create conditions that are hazardous.

---

## Technician Notes



**WARNING:** Only authorized technicians trained by HP should attempt to repair this equipment. All troubleshooting and repair procedures are detailed to allow only subassembly/module-level repair. Because of the complexity of the individual boards and subassemblies, no one should attempt to make repairs at the component level or to make modifications to any printed wiring board. Improper repairs can create a safety hazard.

---



**WARNING:** To reduce the risk of personal injury from electric shock and hazardous energy levels, do not exceed the level of repairs specified in these procedures. Because of the complexity of the individual boards and subassemblies, do not attempt to make repairs at the component level or to make modifications to any printed wiring board. Improper repairs can create conditions that are hazardous.

---



**WARNING:** To reduce the risk of electric shock or damage to the equipment:

- Disconnect power from the system by unplugging all power cords from the power supplies.
  - Do not disable the power cord grounding plug. The grounding plug is an important safety feature.
  - Plug the power cord into a grounded (earthed) electrical outlet that is easily accessible at all times.
- 



**CAUTION:** To properly ventilate the system, you must provide at least 7.6 cm (3.0 in.) of clearance at the front and back of the server.

---



**CAUTION:** The computer is designed to be electrically grounded (earthed). To ensure proper operation, plug the AC power cord into a properly grounded AC outlet only.

---

**NOTE:** Any indications of component replacement or printed wiring board modifications may void any warranty.

## Where to Go for Additional Help

HP updates networking software frequently to include new functionality and features. Complete the following steps to get the latest drivers, firmware, and documentation.

1. Go to the HP website (<http://www.hp.com>).
2. Click **Support and Troubleshooting Information** from the left menu bar.
3. Type the product name in the **for product** box and press **Enter**. For example, type NC370T.
4. Download the drivers, firmware, or documentation as needed.

## Telephone Numbers

For the name of your nearest HP authorized reseller:

- In the United States, call 1-800-345-1518.
- In Canada, call 1-800-263-5868.

For HP technical support:

- In the United States and Canada, call 1-800-652-6672.
- Outside the United States and Canada, refer to  
[www.hp.com](http://www.hp.com)

## Overview

The HP NC7770 PCI-X Gigabit Server Adapter is a high-performance Ethernet adapter with a fully integrated 10/100/1000 controller that delivers up to 1000 Mb/s Ethernet over twisted-pair (copper) cabling. The HP NC7770 adapter has one auto-negotiating RJ-45 port and LED indicators showing link, activity, and port speed. The NC7770 PCI-X Gigabit Server Adapter is a supported option for selected HP ProLiant servers.

For the latest functionality, features, and operating system support for this server adapter, refer to the networking page at

(<http://h18004.www1.hp.com/products/servers/networking/index-nic.html>)

## Hardware Overview

The NC7770 Server Adapter has one auto-negotiating 10/100/1000 RJ-45 port. LED indicators show link, activity, and port speed. See Table 1-1 for descriptions of LED operations.

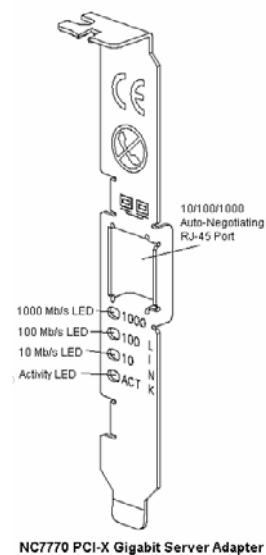


Figure 1-1: RJ-45 port and LED locations

## LED Indicators

The following table describes the LED indicators located on the front panel of the HP NC7770 Server Adapter.

**Table 1-1: 10/100/1000 LED Operations for the NC7770 Adapter**

LED	Display	Description
1000	On	Link to the adapter is established. The adapter is sending or receiving network data at 1000 Mb/s.
	Off	The adapter is not sending or receiving network data at 1000 Mb/s.
100	On	Link to the adapter is established. The adapter is sending or receiving network data at 100 Mb/s.
	Off	The adapter is not sending or receiving network data at 100 Mb/s.
10	On	Link to the adapter is established. The adapter is sending or receiving network data at 10 Mb/s.
	Off	The adapter is not sending or receiving network data at 10 Mb/s.
ACT	On	The adapter is sending or receiving network data at 10, 100, or 1000 Mb/s, as indicated by the 10, 100, and 1000 LEDs. The adapter is receiving power, and the cable connection is functional.
	Off	No network data is being sent or received. The adapter is not receiving power, the cable connection is faulty, or the driver is not loaded.

## UTP Category 5 Cable

The NC7770 Server Adapter can use existing Category 5 UTP (or better) cable to deliver Gigabit Ethernet over copper, according to the IEEE 802.3ab specifications. For new installations, Category 5e cable is recommended. For troubleshooting and other information about cabling, see, “UTP Cable Specifications” in Appendix C.



---

## Installing the Adapter

### Overview

This chapter describes installation precautions and explains how to install the adapter. It also describes how to connect the network cable.



**WARNING:** To avoid the risk of personal injury or damage to the equipment, consult the safety information and user documentation provided with your equipment before attempting installation of the adapter.

Many servers are capable of producing energy levels that are considered hazardous. Users should not remove enclosures, nor should they bypass the interlocks provided for removal of these hazardous conditions.

Installation of this adapter should be performed by individuals who are both qualified in the servicing of computer equipment, and trained in the hazards associated with products capable of producing hazardous energy levels.

**NOTE:** Before removing the cover of your server, refer to the HP documentation for the proper methods for installing a PCI card and avoiding electric shock hazards.

### Electrostatic Discharge Precautions

A discharge of static electricity from a finger or other conductor can damage components on the adapter. This can make the adapter inoperable. In addition to the following information, see Appendix B for more precautions.

To prevent electrostatic damage, observe the following precautions:

- Always properly ground yourself when touching a static-sensitive component or assembly.
- Avoid hand contact by transporting and storing parts in static-safe containers.
- Keep electrostatic-sensitive parts in their containers until they arrive at static-free locations.
- Place containers on a grounded surface before removing the contents.
- Avoid touching pins, leads, or circuitry.

## Installing the Adapter in a Server

Refer to the HP ProLiant server documentation for additional information on how to safely install a PCI card in your server.

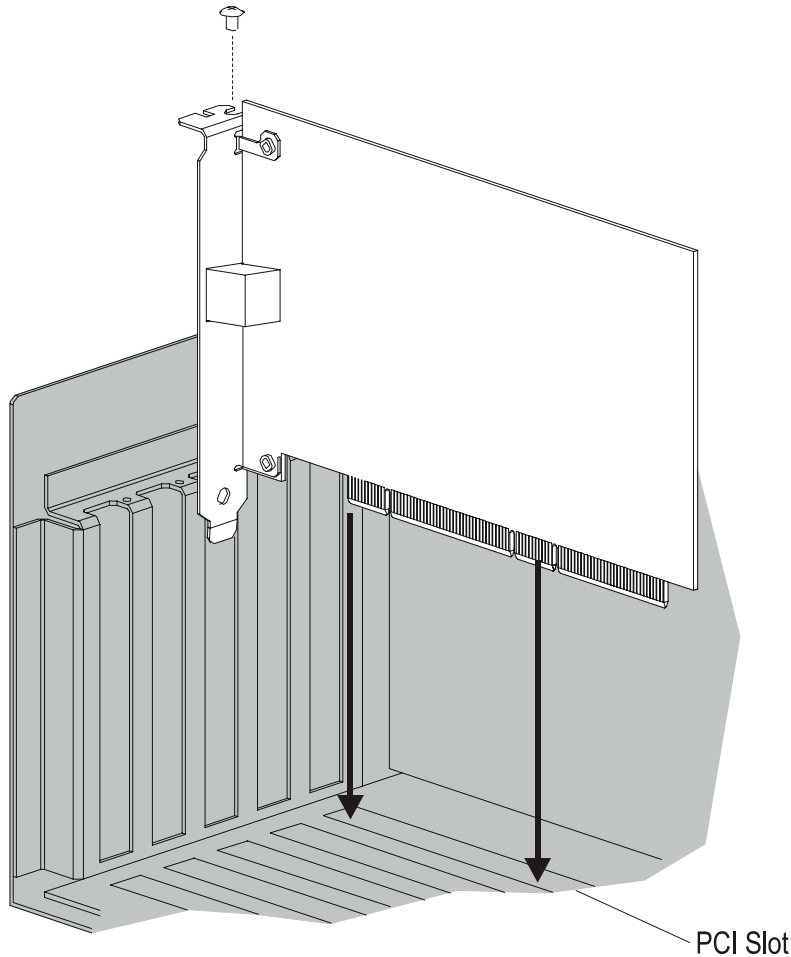


Figure 2-1: Installing the adapter in a server



**WARNING:** If the server is not PCI Hot Plug compliant, power it down and unplug the power cord from the power outlet before removing the server cover. Failure to do so may damage the adapter or server.

1. Remove the server cover and cover bracket from a PCI slot.



**WARNING:** To reduce the risk of personal injury from hot surfaces, allow the internal system components to cool before touching them.

2. Firmly seat the adapter in the PCI slot and secure the adapter bracket.
3. Replace the server cover and plug in the power cord.

## **Connecting the Network Cable**

Network connections for the NC7770 Server Adapter can employ existing Category 5 UTP (or better) cable for Gigabit over copper transmissions. For new installations, Category 5e (enhanced Category 5) or better cable is recommended.

To secure the cable, plug the cable connector into the RJ-45 port. Ensure that the tab on the plug clicks into position indicating that it is properly seated.

For more information, see “UTP Cable Specifications” in Appendix C.

---

## Regulatory Notice

### Federal Communications Commissions Notice

Part 15 of the Federal Communications Commission (FCC) Rules and Regulations has established Radio Frequency (RF) emission limits to provide an interference-free radio frequency spectrum. Many electronic devices, including computers, generate RF energy incidental to their intended function and are, therefore, covered by these rules. These rules place computers and related peripheral devices into two classes, A and B, depending upon their intended installation. Class A devices are those that may reasonably be expected to be installed in a business or commercial environment. Class B devices are those that may reasonably be expected to be installed in a residential environment (i.e., personal computers). The FCC requires devices in both classes to bear a label indicating the interference potential of the device as well as additional operating instructions for the user.

The rating label on the device shows which class (A or B) the equipment falls into. Class B devices have an FCC logo or FCC ID on the label. Class A devices do not have an FCC logo or FCC ID on the label. Once the class of the device is determined, refer to the following corresponding statement.

#### Class A Equipment

This equipment has been tested and found to comply with the limits for a Class A digital device, pursuant to Part 15 of the FCC Rules. These limits are designed to provide reasonable protection against harmful interference when the equipment is operated in a commercial environment. This equipment generates, uses, and can radiate radio frequency energy and, if not installed and used in accordance with the instructions, may cause harmful interference to radio communications. Operation of this equipment in a residential area is likely to cause harmful interference, in which case the user will be required to correct the interference at personal expense.

## Class B Equipment

This equipment has been tested and found to comply with the limits for a Class B digital device, pursuant to Part 15 of the FCC Rules. These limits are designed to provide reasonable protection against harmful interference in a residential installation. This equipment generates, uses, and can radiate radio frequency energy and, if not installed and used in accordance with the instructions, may cause harmful interference to radio communications. However, there is no guarantee that interference will not occur in a particular installation. If this equipment does cause harmful interference to radio or television reception, which can be determined by turning the equipment off and on, the user is encouraged to try to correct the interference by one or more of the following measures:

- Reorient or relocate the receiving antenna.
- Increase the separation between the equipment and receiver.
- Connect the equipment into an outlet on a circuit different from that to which the receiver is connected.
- Consult the dealer or an experienced radio or television technician for help.

## Modifications

The FCC requires the user to be notified that any changes or modifications made to this device that are not expressly approved by Hewlett-Packard Company may void the user's authority to operate the equipment.

## Cables

Connections to this device must be made with shielded cables with metallic RFI/EMI connector hoods in order to maintain compliance with FCC Rules and Regulations.

### **Declaration of Conformity for products marked with the FCC logo - United States only**

This device complies with Part 15 of the FCC Rules. Operation is subject to the following two conditions: (1) this device may not cause harmful interference, and (2) this device must accept any interference received, including interference that may cause undesired operation.

For questions regarding your product, contact:

Hewlett-Packard Company

P. O. Box 692000, Mail Stop 530113

Houston, Texas 77269-2000

Or, call

1-800- 652-6672. For continuous quality improvement, calls may be recorded or monitored.

For questions regarding this FCC declaration, contact:

Hewlett-Packard Company

P. O. Box 692000, Mail Stop 510101

Houston, Texas 77269-2000

Or, call

(281) 514-3333

To identify this product, refer to the Part, Series, or Model number found on the product.

## **Canadian Notice (Avis Canadien)**

### **Class A Equipment**

This Class A digital apparatus meets all requirements of the Canadian Interference-Causing Equipment Regulations.

Cet appareil numérique de la classe A respecte toutes les exigences du Règlement sur le matériel brouilleur du Canada.

### **Class B Equipment**

This Class B digital apparatus meets all requirements of the Canadian Interference-Causing Equipment Regulations.

Cet appareil numérique de la classe B respecte toutes les exigences du Règlement sur le matériel brouilleur du Canada.

## European Union Notice



Products bearing the CE marking comply with the EMC Directive (89/336/EEC) and the Low Voltage Directive (73/23/EEC) issued by the Commission of the European Community and if this product has telecommunication functionality, the R&TTE Directive (1999/5/EC).

Compliance with these directives implies conformity to the following European Norms (in parentheses are the equivalent international standards and regulations):

- EN 55022 (CISPR 22)—Electromagnetic Interference
- EN55024 (IEC61000-4-2, 3, 4, 5, 6, 8, 11)—Electromagnetic Immunity
- EN61000-3-2 (IEC61000-3-2)—Power Line Harmonics
- EN61000-3-3 (IEC61000-3-3)—Power Line Flicker
- EN 60950 (IEC 60950)—Product Safety

## BSMI Notice

警告使用者：

這是甲類的資訊產品，在居住的環境中使用時，可能會造成射頻干擾，在這種情況下，使用者會被要求採取某些適當的對策。

## Japanese Notice

ご使用になっている装置にVCCIマークが付いていましたら、次の説明文をお読み下さい。

この装置は、情報処理装置等電波障害自主規制協議会（VCCI）の基準に基づくクラスB情報技術装置です。この装置は、家庭環境で使用することを目的としていますが、この装置がラジオやテレビジョン受信機に近接して使用されると、受信障害を引き起こすことがあります。取扱説明書に従って正しい取り扱いをして下さい。

VCCIマークが付いていない場合には、次の点にご注意下さい。

この装置は、情報処理装置等電波障害自主規制協議会（VCCI）の基準に基づくクラスA情報技術装置です。この装置を家庭環境で使用すると電波妨害を引き起こすことがあります。この場合には使用者が適切な対策を講ずるよう要求されることがあります。

## PCI-X Notice

When this product is used in PCI-X mode, it is a “Class A” device.



---

## Electrostatic Discharge

### Overview

To prevent damage to the system, be aware of the precautions you need to follow when setting up the system or handling parts. A discharge of static electricity from a finger or other conductor may damage system boards or other static-sensitive devices. This type of damage may reduce the life expectancy of the device.

To prevent electrostatic damage, observe the following precautions:

- Avoid hand contact by transporting and storing products in static-safe containers.
- Keep electrostatic-sensitive parts in their containers until they arrive at static-free workstations.
- Place containers on a grounded surface before removing the contents.
- Avoid touching pins, leads, or circuitry.
- Always be properly grounded when touching a static-sensitive component or assembly.

### Grounding Methods

There are several methods for grounding. Use one or more of the following methods when handling or installing electrostatic-sensitive parts:

- Use a wrist strap connected by a ground cord to a grounded workstation or computer chassis. Wrist straps are flexible straps with a minimum of 1 megohm  $\pm 10$  percent resistance in the ground cords. To provide proper ground, wear the strap snug against the skin.
- Use heel straps, toe straps, or boot straps at standing workstations. Wear the straps on both feet when standing on conductive floors or dissipating floor mats.
- Use conductive field service tools.
- Use a portable field service kit with a folding static-dissipating work mat.

If you do not have any of the suggested equipment for proper grounding, have a HP authorized reseller install the part.

**NOTE:** For more information on static electricity or assistance with product installation, contact your HP authorized reseller.

## Specifications

### NC7770 PCI-X Gigabit Server Adapter Specifications

**Table C-1: NC7770 PCI-X Gigabit Server Adapter Specifications**

Specification	Description
Network Controller Chipset	Broadcom® 5701KHB
Data Transfer Method	64-bit/133MHz PCI-X, compatible with 64-bit/66MHz or 32-bit/66MHz Bus Master DMA
Power Requirement	Operating Voltage: +5V +/- 5% Power Consumption: 10 Watts Maximum: 2A @ 5V(DC)
Standards Supported	IEEE 802.3ab, 802.3u, 802.1p, 802.1z
Dimensions	6.6 x 2.5 inches (L x W), 16.5 cm x 6.4 cm
Connector and distances	10BASE-T: Category 3, 4 or 5 UTP 100 Meters (328 feet) 100BASE-TX: Category 5 UTP 100 Meters (328 feet) 1000BASE-TX: Category 5 UTP 100 Meters (328 feet)
Interrupts Supported	Automatically configured
Temperature Range	Operating: 0°C to 55°C / 32°F to 131°F Storage: -65°C to 85°C / -85°F to 185°F
Relative Humidity	Operating: 5% to 85% Storage: 5% to 95%
Emissions Classifications	When used in PCI slot: FCC Class B When used in PCI-X slot: FCC Class A
European Classifications	EN 55022 (CISPR 22) EN 50082-1 (IEC 801-2, IEC 801-3, IEC 801-4) VCCI
Safety Compliance	CE Mark EN 60590

## UTP Cable Specifications

To connect to the network, the NC7770 Server Adapter uses the following cable for 1000BASE-T transmission.

Category 5 UTP or better

22-26 AWG, 100Ω @ 1MHz

EIA/TIA 568a or EIA/TIA 568b

## Using UTP Category 5 Cable in Gigabit Over Copper Installations

For Gigabit over copper installations, Category 5 UTP or better 1000BASE-T cable must comply with the IEEE 802.3ab 1000BASE-T standard. For new installations, Category 5e (enhanced Category 5) or better cable is recommended.

## RJ-45 Pinouts and Crossover Function

The Ethernet standard also specifies that each segment implement a crossover function to connect the transmitter of one device to the receiver of a device at the other end, and vice-versa. The crossover function may be implemented internally at the hub or switch, or externally through the twisted-pair media.

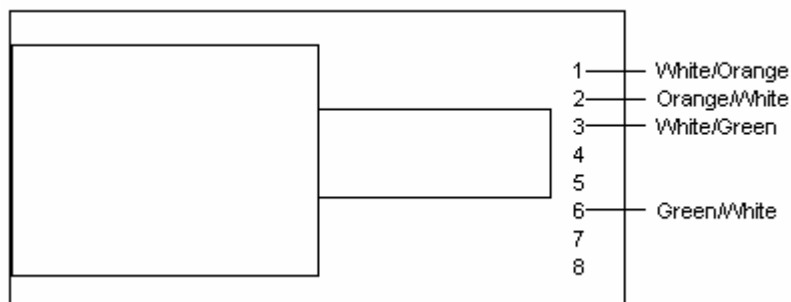
## 10/100 Straight-Through Pinouts

If the crossover function is implemented internally, the port is labeled MDI-X (Medium Dependent Interface-Crossover). When an MDI-X port is connected to an MDI port, the twisted pair media should be wired straight-through using the physical pinouts indicated in Table C-2.

**Table C-2: 10/100 Pinouts Using Internal, Straight-Through Crossover**

Pin	Function	Color Match	Function	Pin
1	TD+	White/Orange	TD+	1
2	TD-	Orange/White	TD-	2
3	RD+	White/Green	RD+	3
4		Blue/White		4
5		White/Blue		5
6	RD-	Green/White	RD-	6
7		White/Brown		7
8		Brown/White		8

Figure C-1 shows the straight-through 10/100 connector wiring to be used when the crossover function is implemented on the hub or switch.



**Figure C-1: 10/100 straight-through wiring for RJ-45 connector**

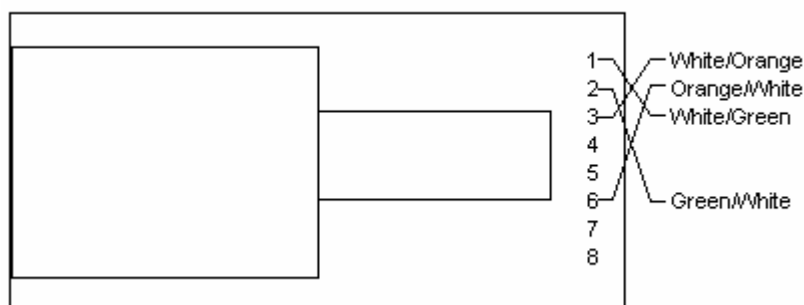
## 10/100 Crossover Pinouts

When the crossover function is not provided within the hub or switch, you must implement the crossover through the twisted-pair media using the physical pinouts indicated in Table C-3.

**Table C-3: 10/100 Pinouts Using External Crossover**

Pin	Function	Color/Match	Function	Pin
1	TD+	White/Orange	RD+	3
2	TD-	Orange/White	RD-	6
3	RD+	White/Green	TD+	1
4		Blue/White		
5		White/Blue		
6	RD-	Green/White	TD-	2
7		White/Brown		
8		Brown/White		

Figure C-2 shows the correct wiring to use when the crossover function is implemented externally in the twisted-pair cabling.



**Figure C-2: 10/100 external crossover for RJ-45 connector**

## Gigabit over Copper Internal Straight-Through Pinouts

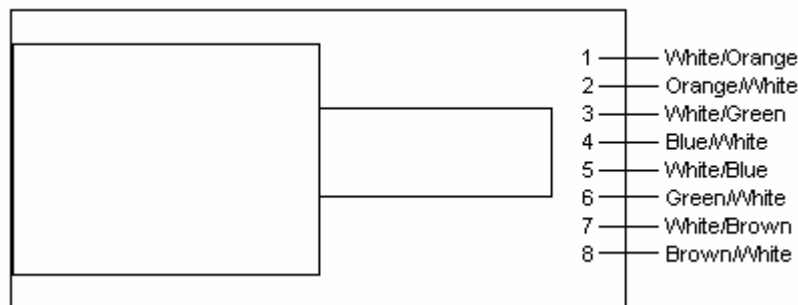
Unlike connections in which the crossover function is implemented internally at the hub or switch, the NC7770 Server Adapter provides its own automatic crossover function. This means you can wire twisted-pair media straight-through for adapter-to-hub, adapter-to-switch, or adapter-to-adapter connections using the pinouts shown in Table C-4.

**NOTE:** To operate at Gigabit speeds, all four pairs of wires must be terminated within the RJ-45 connector.

**Table C-4: Gigabit over Copper Pinouts Using Internal Crossover**

Pin	Function	Color Match	Function	Pin
1	BI_DA+	White/Orange	BI_DA+	1
2	BI_DA-	Orange/White	BI_DA-	2
3	BI_DB+	White/Green	BI_DB+	3
4	BI_DC+	Blue/White	BI_DC+	4
5	BI_DC-	White/Blue	BI_DC-	5
6	BI_DB-	Green/White	BI_DB-	6
7	BI_DD+	White/Brown	BI_DD+	7
8	BI_DD-	Brown/White	BI_DD-	8

Figure C-3 shows straight-through Gigabit over copper connector wiring to be used when the crossover function is implemented within the hub or switch.



**Figure C-3: Gigabit straight-through wiring for RJ-45 connector**

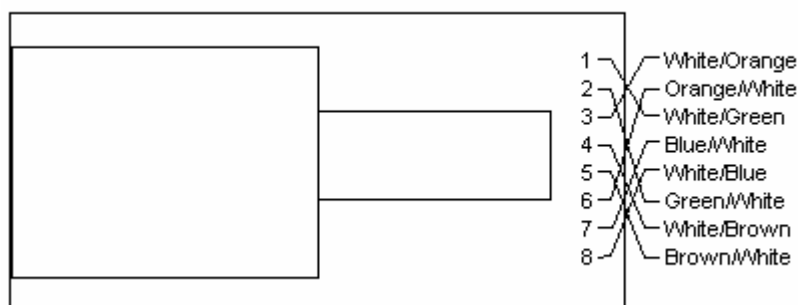
## Gigabit over Copper External Crossover Pinouts

When a crossover function is not provided by the adapter, hub or switch, you must implement it through the twisted-pair media using the physical pinouts shown in Table C-5.

**Table C-5: Gigabit over Copper Crossover Pinouts**

Pin	Function	Color Match	Function	Pin
1	BI_DA+	White/Orange	BI_DB+	3
2	BI_DA-	Orange/White	BI_DB-	6
3	BI_DB+	White/Green	BI_DA+	1
4	BI_DC+	Blue/White	BI_DD+	7
5	BI_DC-	White/Blue	BI_DD-	8
6	BI_DB-	Green/White	BI_DA-	2
7	BI_DD+	White/Brown	BI_DC+	4
8	BI_DD-	Brown/White	BI_DC-	5

Figure C-4 shows the correct Gigabit over copper wiring to be used when the crossover function is implemented externally in the twisted-pair cabling.



**Figure C-4: Gigabit over copper external crossover for RJ-45 connector**

## Free Manuals Download Website

<http://myh66.com>

<http://usermanuals.us>

<http://www.somanuals.com>

<http://www.4manuals.cc>

<http://www.manual-lib.com>

<http://www.404manual.com>

<http://www.luxmanual.com>

<http://aubethermostatmanual.com>

Golf course search by state

<http://golfingnear.com>

Email search by domain

<http://emailbydomain.com>

Auto manuals search

<http://auto.somanuals.com>

TV manuals search

<http://tv.somanuals.com>