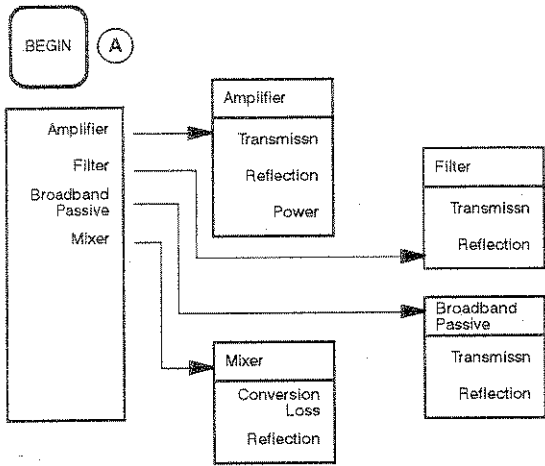


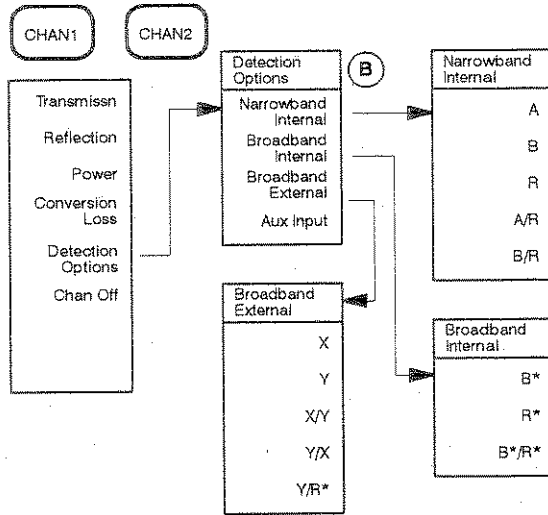
**HP 8711A
RF Network Analyzer**

Quick Reference Card

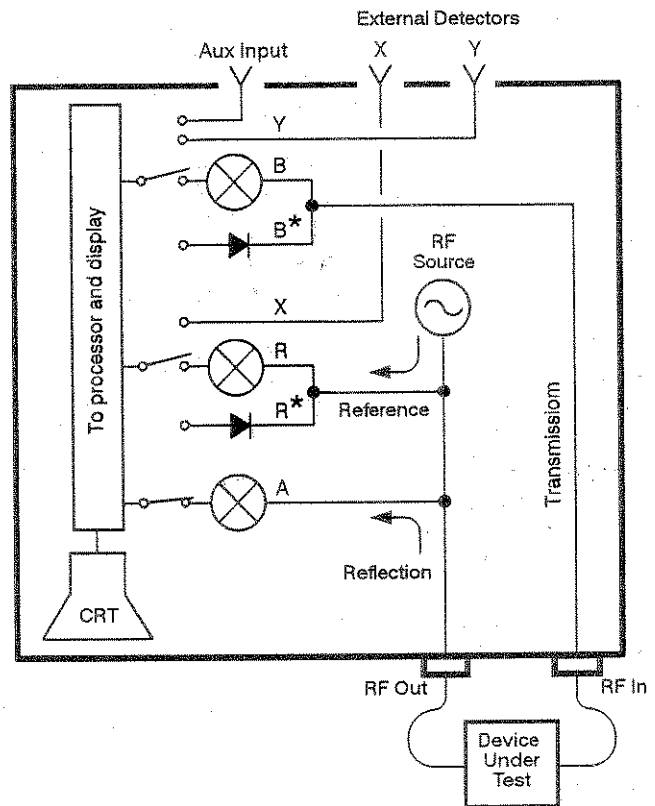
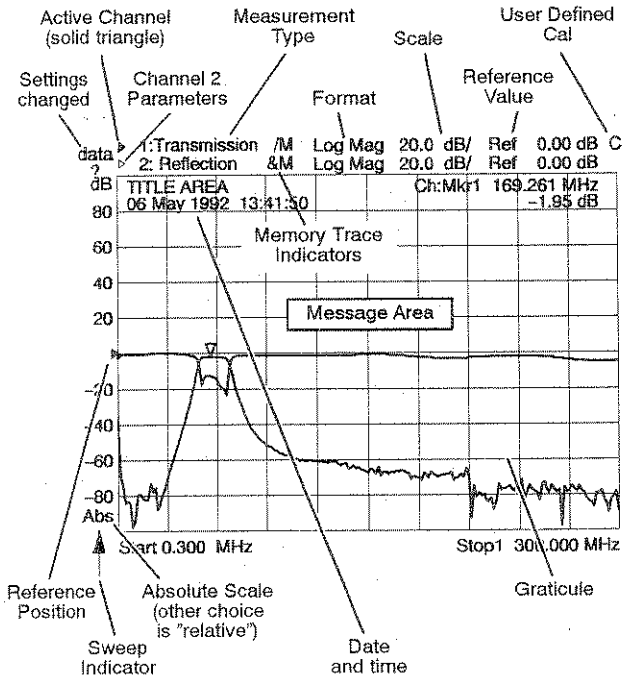
BEGIN KEY



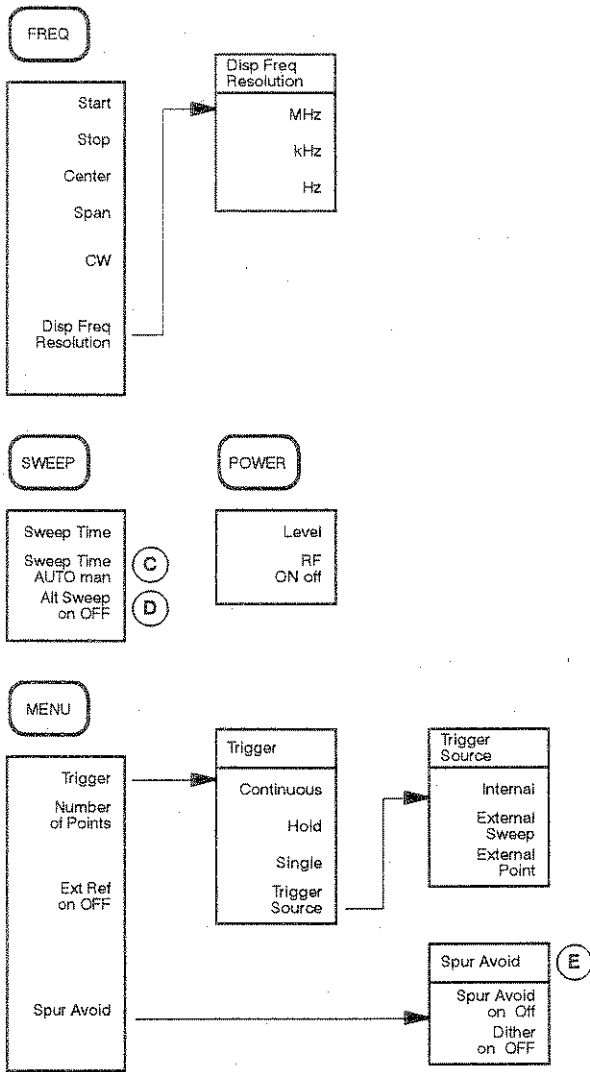
MEAS KEYS



- A** [BEGIN]: press [BEGIN], select type of device and measurement. Autoscales and sets marker at min or max. For one channel measurements.
- B** {Detection Options}: type of signal detection.
 {Narrowband Internal}: for wide dynamic range measurements, tuned receiver, built-in.
 {Broadband Internal}: for absolute power and frequency conversion measurements, diode detector, built-in.
 {Broadband External}: diode detector, optional accessory.
 {Aux Input}: voltmeter, rear panel input.

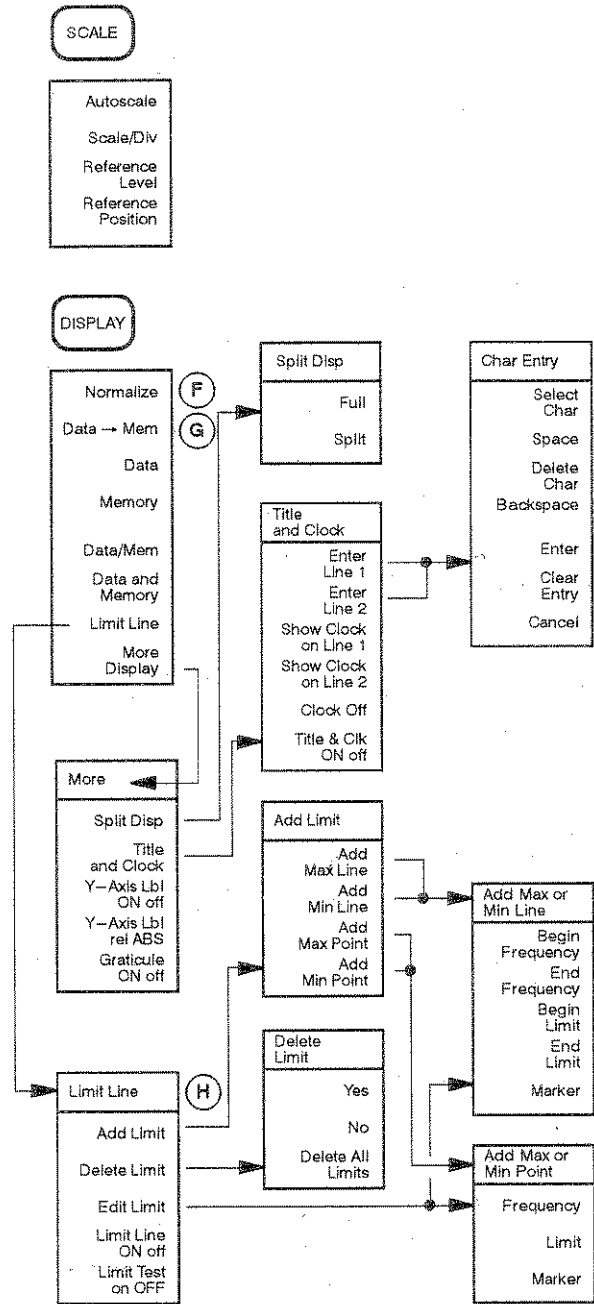


SOURCE KEYS



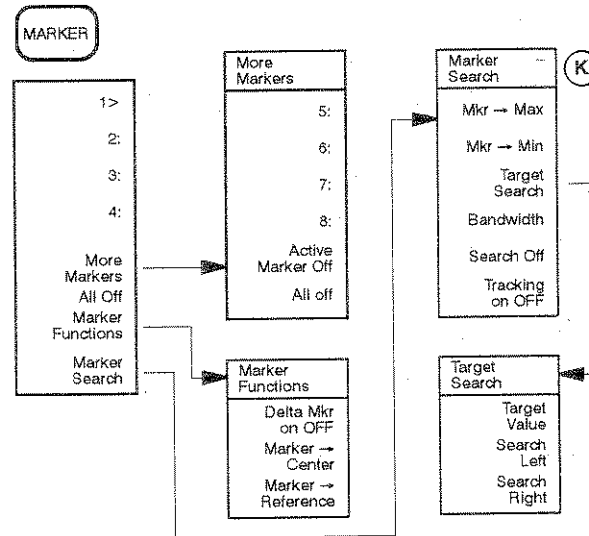
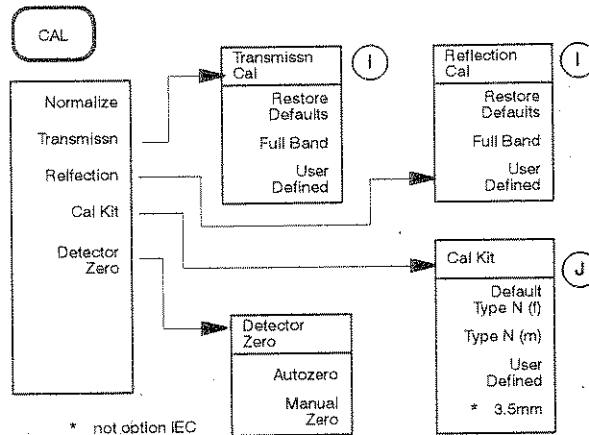
- (C) **{Sweep Time AUTO man}**: AUTO = fastest possible; MAN = user selected.
- (D) **{Alt Sweep ON}**: each channel can have different frequency span, detection mode, number of points, etc.
- (E) **{Spur Avoid}**: with spur avoid or dither on, do full band or user defined cal.
{Spur Avoid ON}: removes spurs from low level measurements, slows sweep.
{Dither ON}: shifts spurs, recommended for narrow frequency span measurements, no sweep speed penalty.

CONFIGURE KEYS



- (F) **{Normalize}**: equivalent to {Data->Mem} and {Data/Mem}.
- (G) **{Data->Mem}**: stores current data trace in memory.
- (H) **{Limit Line}**: creates limit lines for testing. Use with {Limit Test ON} to show pass or fail.

CONFIGURE KEYS (continued)



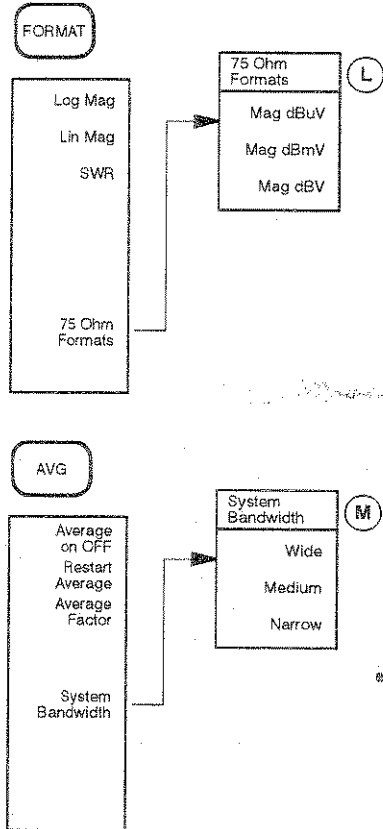
- I** **{Restore Defaults}**: restores default calibration.
{Full Band}: user cal of full frequency span at 801 points; can change frequency span after cal. Cal is lost if you change spur avoid settings.
{User Defined}: select frequency span, number of points, spur avoid setting, then do cal. Cal is lost if you widen span, or change spur avoid settings after cal.
- J** **{Detector Zero}**: compensates for drift of (zeroes) internal and external broadband detectors.
{Autozero}: zeroes detectors when selected and as needed.
{Manual Zero}: zeroes detectors one time when selected.

Copyright © 1992
 Printed in U.S.A.
 HP Part No. 08711-90111



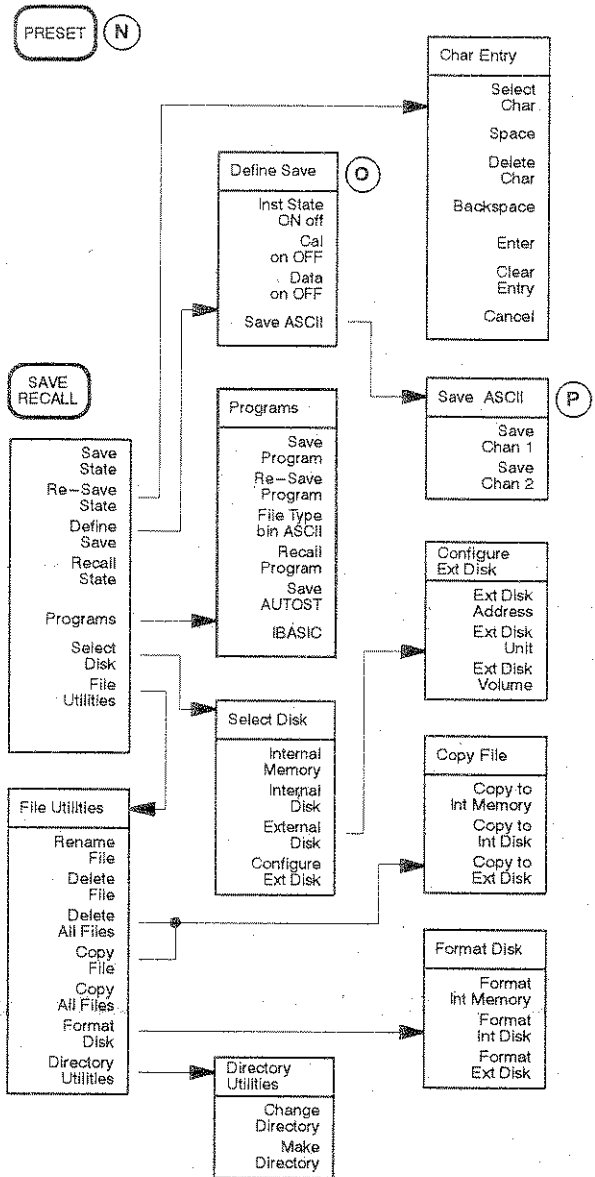
CONFIGURE KEYS (continued)

- (K) **{Bandwidth}**: channel 1 places marker 1 at max, markers 5 and 6 at target, marker 3 at center frequency (CF).
{Tracking ON}: updates search (for max, min, target) each sweep.



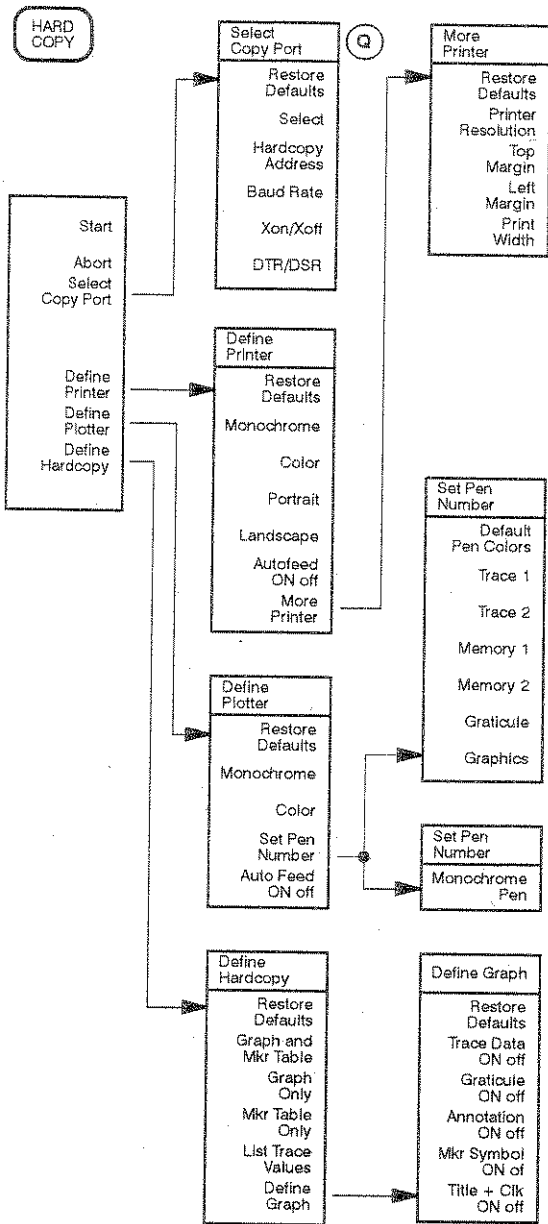
- (L) **{75 Ohm Formats}**: option 1EC.
- (M) **{System Bandwidth}**: Wide = fastest sweep.
Medium (default) = medium sweep speed and dynamic range.
Narrow = greatest dynamic range.

SYSTEM KEYS



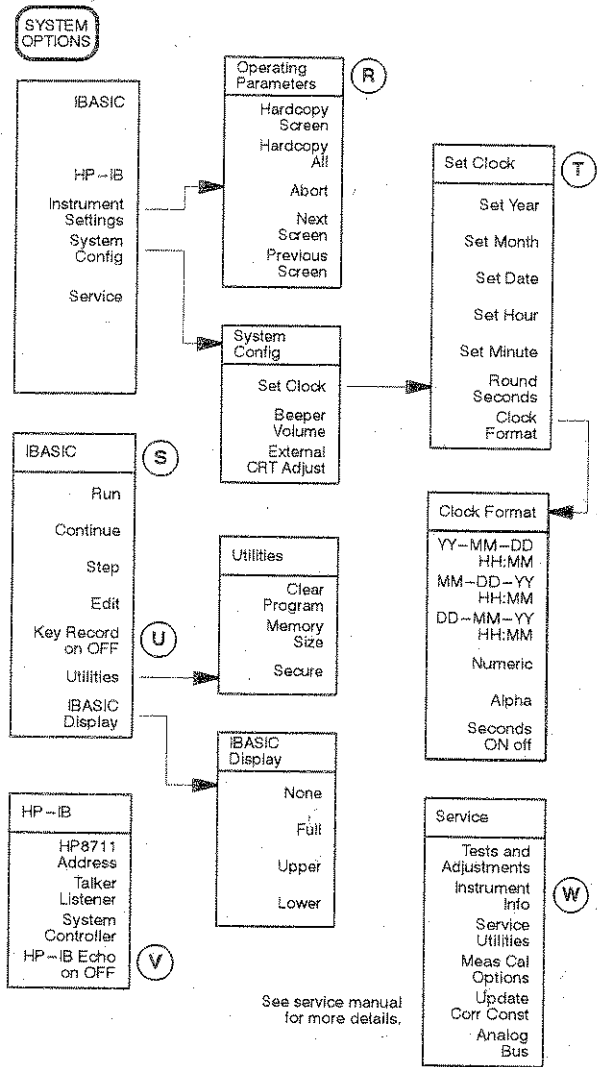
- (N) **{PRESET}**: resets analyzer to predefined instrument state (full frequency range, 0 dBm output power, 201 points, averaging off, medium system bandwidth, etc.: see note (R) or Appendix A, chapter 7.) Note: power-up resets analyzer to last-used instrument state.
- (O) **{Define Save}**: defines the combination of instrument state, calibration, and data to save.
- (P) **{Save ASCII}**: saves trace data in ASCII format for output only.

SYSTEM KEYS (continued)



- (Q) **{Select Copy Port}**: indicate choice of printer or plotter for hardcopy output or internal disk drive.
{Select}: selects above choice.
{Hardcopy Address}: for HP-IB devices.
{Baud Rate}: for serial devices.
{Xon/Xoff}: software handshake for serial devices.
{DTR/DSR}: hardware handshake for serial devices.

SYSTEM KEYS (continued)



- (R) **{Operating Parameters}**: displays current instrument configuration and operating conditions. Press **[Preset]** first for preset settings.
- (S) **{IBASIC}**: option IC2. Creates and runs programs.
- (T) **{Set Clock}**: use with **[DISPLAY]** **{More Display}** **{Title and Clock}** to see on screen.
- (U) **{Key Record ON}**: captures keystrokes to write IBASIC programs.
- (V) **{HP-IB Echo ON}**: displays HP-IB mnemonics on screen when keys are pressed.
- (W) **{Instrument Info}**: displays firmware rev, serial number, options, memory.

See service manual for more details.

Free Manuals Download Website

<http://myh66.com>

<http://usermanuals.us>

<http://www.somanuals.com>

<http://www.4manuals.cc>

<http://www.manual-lib.com>

<http://www.404manual.com>

<http://www.luxmanual.com>

<http://aubethermostatmanual.com>

Golf course search by state

<http://golfingnear.com>

Email search by domain

<http://emailbydomain.com>

Auto manuals search

<http://auto.somanuals.com>

TV manuals search

<http://tv.somanuals.com>