

Hardware Reference Guide - dc7700 Series Small Form Factor Model

HP Compaq Business PC



© Copyright 2006 Hewlett-Packard Development Company, L.P. The information contained herein is subject to change without notice.

Microsoft and Windows are trademarks of Microsoft Corporation in the U.S. and other countries.

The only warranties for HP products and services are set forth in the express warranty statements accompanying such products and services. Nothing herein should be construed as constituting an additional warranty. HP shall not be liable for technical or editorial errors or omissions contained herein.

This document contains proprietary information that is protected by copyright. No part of this document may be photocopied, reproduced, or translated to another language without the prior written consent of Hewlett-Packard Company.

Hardware Reference Guide

HP Compaq Business PC

dc7700 Series Small Form Factor Model

First Edition (August 2006)

Document Part Number: 418625-001

About This Book

This guide provides basic information for upgrading this computer model.



WARNING! Text set off in this manner indicates that failure to follow directions could result in bodily harm or loss of life.



CAUTION Text set off in this manner indicates that failure to follow directions could result in damage to equipment or loss of information.



NOTE Text set off in this manner provides important supplemental information.

Table of contents

1 Product Features

Standard Configuration Features	1
Front Panel Components	2
Media Card Reader Components	3
Rear Panel Components	4
Keyboard	5
Using the Windows Logo Key	6
Special Mouse Functions	7
Serial Number Location	7

2 Hardware Upgrades

Serviceability Features	9
Warnings and Cautions	9
Using the Small Form Factor Computer in a Tower Orientation	10
Unlocking the Smart Cover Lock	11
Smart Cover FailSafe Key	11
Using the Smart Cover FailSafe Key to Remove the Smart Cover Lock	11
Removing the Computer Cover	13
Replacing the Computer Cover	14
Installing Additional Memory	15
DIMMs	15
DDR2-SDRAM DIMMs	15
Populating DIMM Sockets	16
Installing DIMMs	17
Removing or Installing an Expansion Card	19
Drive Positions	24
Installing and Removing Drives	25
Removing an Optical Drive	26
Installing an Optical Drive into the 5.25-inch Drive Bay	28
Removing an External 3.5-inch Drive	31
Installing a Drive into the 3.5-inch External Drive Bay	34
Removing and Replacing the Primary 3.5-inch Internal SATA Hard Drive	37

Appendix A Specifications

Appendix B Battery Replacement

Appendix C External Security Devices

Installing a Security Lock	47
Cable Lock	47
Padlock	48

Appendix D Electrostatic Discharge

Preventing Electrostatic Damage	49
Grounding Methods	49

Appendix E Computer Operating Guidelines, Routine Care and Shipping Preparation

Computer Operating Guidelines and Routine Care	51
Optical Drive Precautions	52
Operation	52
Cleaning	52
Safety	52
Shipping Preparation	52

Index	53
--------------------	-----------

1 Product Features

Standard Configuration Features

The HP Compaq Small Form Factor features may vary depending on the model. For a complete listing of the hardware and software installed in the computer, run the diagnostic utility (included on some computer models only). Instructions for using the utility are provided in the *Troubleshooting Guide* on the *Documentation and Diagnostics CD*.



NOTE The Small Form Factor computer can also be used in a tower orientation. For more information, see the [Using the Small Form Factor Computer in a Tower Orientation](#) section in this guide.



Figure 1-1 Small Form Factor Configuration

Front Panel Components

Drive configuration may vary by model.

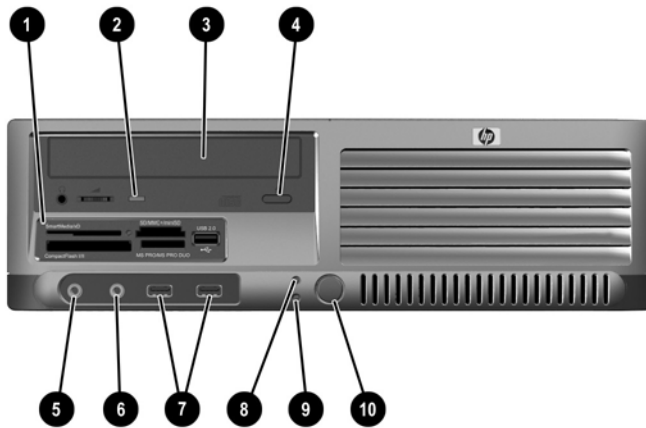


Table 1-1 Front Panel Components

1	3.5-inch Media Card Reader (optional) ¹	6	Headphone Connector
2	Optical Drive Activity Light	7	USB (Universal Serial Bus) Ports
3	5.25-inch Optical Drive ²	8	Hard Drive Activity Light
4	Optical Drive Eject Button	9	Power On Light
5	Microphone Connector	10	Dual-State Power Button



NOTE An optical drive is a CD-ROM, CD-R/RW, DVD-ROM, DVD+R/RW, or CD-RW/DVD Combo drive.

- ¹ Some models are configured with a diskette drive in the external 3.5-inch drive bay. Other models have a bezel blank covering this bay.
- ² Some models are configured with a bezel blank covering this bay.

Media Card Reader Components

The media card reader is an optional device available on some models only. Refer to the following illustration and table to identify the media card reader components.

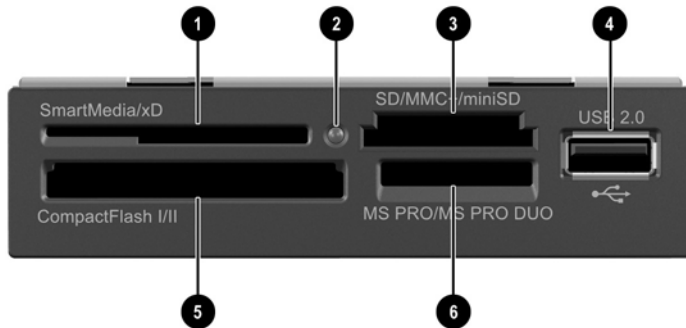


Table 1-2 Media Card Reader Components

1	SmartMedia/xD <ul style="list-style-type: none"> • 3.3V SmartMedia Card (SM) • D-Picture Card (xD) 	4	USB (Universal Serial Bus) Port
2	Media Card Reader Activity Light	5	CompactFlash I/II <ul style="list-style-type: none"> • CompactFlash Card Type 1 • CompactFlash Card Type 2 • MicroDrive
3	SD/MMC+/miniSD <ul style="list-style-type: none"> • Secure Digital Card (SD) • MiniSD • MultiMediaCard (MMC) • Reduced Size MultiMediaCard (RS MMC) • MultiMediaCard 4.0 (Mobile Plus) • Reduced Size MultiMediaCard 4.0 (MMC Mobile) • MMC Micro (adapter required) • MicroSD (T-Flash) (adapter required) 	6	MS PRO/MS PRO DUO <ul style="list-style-type: none"> • Memory Stick (MS) • MagicGate Memory Stick (MG) • MagicGate Memory Duo • Memory Stick Select • Memory Stick Duo (MS Duo) • Memory Stick PRO (MS PRO) • Memory Stick PRO Duo (MS PRO Duo)

Rear Panel Components

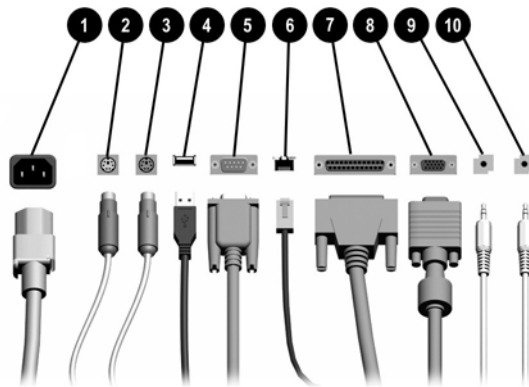











Table 1-3 Rear Panel Components

1	Power Cord Connector	6	 RJ-45 Network Connector
2	 PS/2 Mouse Connector (green)	7	 Parallel Connector
3	 PS/2 Keyboard Connector (purple)	8	 Monitor Connector
4	 Universal Serial Bus (USB)	9	 Line-Out Connector for powered audio devices (green)
5	 Serial Connector ¹	10	 Line-In Audio Connector (blue)



NOTE Arrangement and number of connectors may vary by model.

The monitor connector on the system board is inactive when a PCI Express graphics card is installed in the computer.

If a PCI graphics card is installed, the connectors on the card and the system board may be used at the same time. Some settings may need to be changed in Computer Setup to use both connectors. For information about Boot Order, refer to the *Computer Setup (F10) Utility Guide* on the *Documentation and Diagnostics CD*.

¹ An optional second serial connector is available from HP.

Keyboard

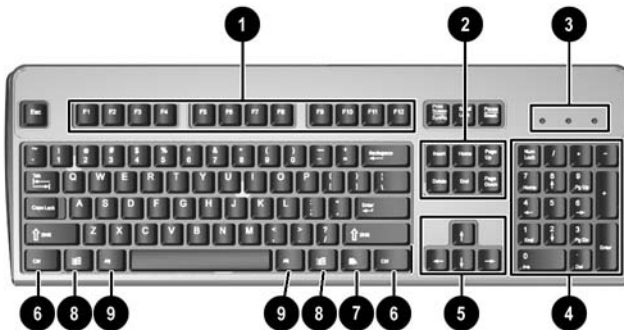


Table 1-4 Keyboard Components

1	Function Keys	Perform special functions depending on the software application being used.
2	Editing Keys	Includes the following: Insert, Home, Page Up, Delete, End, and Page Down.
3	Status Lights	Indicate the status of the computer and keyboard settings (Num Lock, Caps Lock, and Scroll Lock).
4	Numeric Keys	Work like a calculator keypad.
5	Arrow Keys	Used to navigate through a document or Web site. These keys allow you to move left, right, up, and down, using the keyboard instead of the mouse.
6	Ctrl Keys	Used in combination with another key; their effect depends on the application software you are using.
7	Application Key ¹	Used (like the right mouse button) to open pop-up menus in a Microsoft Office application. May perform other functions in other software applications.
8	Windows Logo Keys ¹	Used to open the Start menu in Microsoft Windows. Used in combination with other keys to perform other functions.
9	Alt Keys	Used in combination with another key; their effect depends on the application software you are using.

¹ Keys available in select geographic regions.

Using the Windows Logo Key

Use the Windows Logo key in combination with other keys to perform certain functions available in the Windows operating system. Refer to the [Keyboard](#) section to identify the Windows Logo key.

Windows Logo Key	Displays or hides the Start menu
Windows Logo Key + d	Displays the Desktop
Windows Logo Key + m	Minimizes all open applications
Shift + Windows Logo Key + m	Undoes Minimize All
Windows Logo Key + e	Launches My Computer
Windows Logo Key + f	Launches Find Document
Windows Logo Key + Ctrl + f	Launches Find Computer
Windows Logo Key + F1	Launches Windows Help
Windows Logo Key + l	Locks the computer if you are connected to a network domain, or allows you to switch users if you are not connected to a network domain
Windows Logo Key + r	Launches the Run dialog box
Windows Logo Key + u	Launches the Utility Manager
Windows Logo Key + Tab	Activates the next Taskbar button

Special Mouse Functions

Most software applications support the use of a mouse. The functions assigned to each mouse button depend on the software applications you are using.

Serial Number Location

Each computer has a unique serial number located on the left side of the computer (1) and a product ID number located on the top cover of the computer (2). Keep these numbers available for use when contacting customer service for assistance.



Figure 1-2 Serial Number and Product ID Location

2 Hardware Upgrades

Serviceability Features

The computer includes features that make it easy to upgrade and service. No tools are needed for most of the installation procedures described in this chapter.

Warnings and Cautions

Before performing upgrades be sure to carefully read all of the applicable instructions, cautions, and warnings in this guide.



WARNING! To reduce the risk of personal injury from electrical shock, hot surfaces, or fire:

Disconnect the power cord from the wall outlet and allow the internal system components to cool before touching.

Do not plug telecommunications or telephone connectors into the network interface controller (NIC) receptacles.

Do not disable the power cord grounding plug. The grounding plug is an important safety feature.

Plug the power cord in a grounded (earthed) outlet that is easily accessible at all times.

To reduce the risk of serious injury, read the Safety & Comfort Guide. It describes proper workstation, setup, posture, and health and work habits for computer users, and provides important electrical and mechanical safety information. This guide is located on the Web at <http://www.hp.com/ergo> and on the *Documentation and Diagnostics CD*.



CAUTION Static electricity can damage the electrical components of the computer or optional equipment. Before beginning these procedures, ensure that you are discharged of static electricity by briefly touching a grounded metal object. See Appendix D, [Electrostatic Discharge](#) for more information.

When the computer is plugged into an AC power source, voltage is always applied to the system board. You must disconnect the power cord from the power source before opening the computer to prevent damage to internal components.

Using the Small Form Factor Computer in a Tower Orientation

The Small Form Factor computer can be used in either a tower or desktop orientation. To use it in the tower orientation, stand the computer up on its right side as shown in the illustration below.



NOTE Ensure at least 10.2 centimeters (4 inches) of space on all sides of the computer remains clear and free of obstructions.



Figure 2-1 Changing from Desktop to Tower Orientation



NOTE To further stabilize the computer in a tower orientation, you can purchase a tower stand from HP.

Unlocking the Smart Cover Lock



NOTE The Smart Cover Lock is an optional feature included on some models only.

The Smart Cover Lock is a software-controllable cover lock, controlled by the setup password. This lock prevents unauthorized access to the internal components. The computer ships with the Smart Cover Lock in the unlocked position. For more information about locking the Smart Cover Lock, refer to the *Desktop Management Guide* on the *Documentation and Diagnostics CD*.

Smart Cover FailSafe Key

If you enable the Smart Cover Lock and cannot enter your password to disable the lock, you will need a Smart Cover FailSafe Key to open the computer cover. You will need the key to access the internal computer components in any of the following circumstances:

- Power outage
- Startup failure
- PC component (for example, processor or power supply) failure
- Forgotten password



NOTE The Smart Cover FailSafe Key is a specialized tool available from HP. Be prepared; order this key before you need one.

To obtain a FailSafe Key:

- Contact an authorized HP reseller or service provider. Order PN 166527-001 for the wrench-style key or PN 166527-002 for the screwdriver bit key.
- Refer to the HP Web site (<http://www.hp.com>) for ordering information.
- Call the appropriate number listed in the warranty or in the *Support Telephone Numbers* guide on the *Documentation and Diagnostics CD*.

Using the Smart Cover FailSafe Key to Remove the Smart Cover Lock

To open the computer cover with the Smart Cover Lock engaged:

1. Remove/disengage any security devices that prohibit opening the computer.
2. Remove all removable media, such as diskettes or compact discs, from the computer.
3. Turn off the computer properly through the operating system, then turn off any external devices.
4. Disconnect the power cord from the power outlet and disconnect any external devices.



CAUTION Regardless of the power-on state, voltage is always present on the system board as long as the system is plugged into an active AC outlet. You must disconnect the power cord to avoid damage to the internal components of the computer.

5. If the computer is on a stand, remove the computer from the stand.
6. Use the Smart Cover FailSafe Key to remove the tamper-proof screw (1) that secures the Smart Cover Lock to the chassis.

7. Push the metal arm that wraps around the air vent grid up and back (2) to free the Smart Cover Lock from the chassis.




Figure 2-2 Removing the Smart Cover Lock Screw

8. Remove the computer cover.

To reattach the Smart Cover Lock, secure the lock in place with the tamper-proof screw.

Removing the Computer Cover


1. Remove/disengage any security devices that prohibit opening the computer.
2. Remove all removable media, such as diskettes or compact discs, from the computer.
3. Turn off the computer properly through the operating system, then turn off any external devices.
4. Disconnect the power cord from the power outlet and disconnect any external devices.

 **CAUTION** Regardless of the power-on state, voltage is always present on the system board as long as the system is plugged into an active AC outlet. You must disconnect the power cord to avoid damage to the internal components of the computer.

5. If the computer is on a stand, remove the computer from the stand.
6. Press the buttons on the left and right sides of the computer (1) then slide the computer cover forward until it stops (2) and lift it up and off the chassis.



Figure 2-3 Removing the Computer Cover

 **CAUTION** After removing the computer cover, look for the LED on the system board between the DIMM sockets. If the LED is illuminated, the system still has power. Turn off the computer and remove the power cord before proceeding.

Replacing the Computer Cover

Align the tabs on the panel with the slots on the chassis, then slide the cover all the way onto the chassis until it locks into place.



Figure 2-4 Replacing the Computer Cover

Installing Additional Memory

The computer comes with double data rate 2 synchronous dynamic random access memory (DDR2-SDRAM) dual inline memory modules (DIMMs).

DIMMs

The memory sockets on the system board can be populated with up to four industry-standard DIMMs. These memory sockets are populated with at least one preinstalled DIMM. To achieve the maximum memory support, you can populate the system board with up to 8 GB of memory configured in a high-performing dual channel mode.

DDR2-SDRAM DIMMs

For proper system operation, the DDR2-SDRAM DIMMs must be:

- industry-standard 240-pin
- unbuffered PC2-4300 533 MHz-compliant, PC2-5300 667 MHz-compliant, or PC2-6400 800 MHz-compliant
- 1.8 volt DDR2-SDRAM DIMMs

The DDR2-SDRAM DIMMs must also:

- support CAS latency 4 (DDR2/533 MHz and DDR2/667 MHz) and CAS latency 5 (DDR2/667 MHz and DDR2/800 MHz)
- contain the mandatory JEDEC SPD information

In addition, the computer supports:

- 256Mbit, 512Mbit, and 1Gbit non-ECC memory technologies
- single-sided and double-sided DIMMs
- DIMMs constructed with x8 and x16 DDR devices; DIMMs constructed with x4 SDRAM are not supported



NOTE The system will not start if you install unsupported DIMMs.

Populating DIMM Sockets

There are four DIMM sockets on the system board, with two sockets per channel. The sockets are labeled XMM1, XMM2, XMM3, and XMM4. Sockets XMM1 and XMM2 operate in memory channel A. Sockets XMM3 and XMM4 operate in memory channel B.

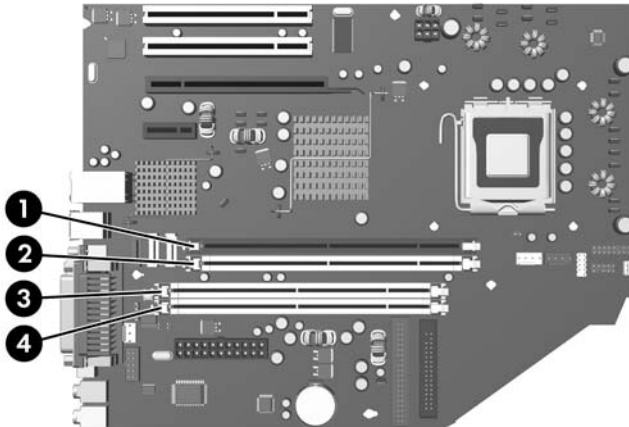


Figure 2-5 DIMM Socket Locations

Item	Description	Socket Color
1	DIMM socket XMM1, Channel A	Black
2	DIMM socket XMM2, Channel A	White
3	DIMM socket XMM3, Channel B	White
4	DIMM socket XMM4, Channel B	White

The system will automatically operate in single channel mode, dual channel mode, or flex mode, depending on how the DIMMs are installed.

- The system will operate in single channel mode if the DIMM sockets are populated in one channel only.
- The system will operate in a higher-performing dual channel mode if the total memory capacity of the DIMMs in Channel A is equal to the total memory capacity of the DIMMs in Channel B. The technology and device width can vary between the channels. For example, if Channel A is populated with two 256MB DIMMs and Channel B is populated with one 512MB DIMM, the system will operate in dual channel mode.
- The system will operate in flex mode if the total memory capacity of the DIMMs in Channel A is not equal to the total memory capacity of the DIMMs in Channel B. In flex mode, the channel populated with the least amount of memory describes the total amount of memory assigned to dual channel and the remainder is assigned to single channel. For optimal speed, the channels should be balanced so that the largest amount of memory is spread between the two channels. For example, if you are populating the sockets with one 1GB DIMM, two 512MB DIMMs, and one 256MB DIMM, one channel should be populated with the 1GB DIMM and one 256MB DIMM and the other channel

should be populated with the two 512MB DIMMs. With this configuration, 2 GB will run as dual channel and 256 MB will run as single channel.

- In any mode, the maximum operational speed is determined by the slowest DIMM in the system.

Installing DIMMs



CAUTION You must disconnect the power cord before adding or removing memory modules. Regardless of the power-on state, voltage is always supplied to the memory modules as long as the computer is plugged into an active AC outlet. Adding or removing memory modules while voltage is present may cause irreparable damage to the memory modules or system board.

After removing the computer cover, look for the LED on the system board between the DIMM sockets. If the LED is illuminated, the system still has power. Turn off the computer and remove the power cord before proceeding.

The memory module sockets have gold-plated metal contacts. When upgrading the memory, it is important to use memory modules with gold-plated metal contacts to prevent corrosion and/or oxidation resulting from having incompatible metals in contact with each other.

Static electricity can damage the electronic components of the computer or optional cards. Before beginning these procedures, ensure that you are discharged of static electricity by briefly touching a grounded metal object. For more information, refer to Appendix D, [Electrostatic Discharge](#).

When handling a memory module, be careful not to touch any of the contacts. Doing so may damage the module.

1. Remove/disengage any security devices that prohibit opening the computer.
2. Remove all removable media, such as diskettes or compact discs, from the computer.
3. Turn off the computer properly through the operating system, then turn off any external devices.
4. Disconnect the power cord from the power outlet and disconnect any external devices.



CAUTION Regardless of the power-on state, voltage is always present on the system board as long as the system is plugged into an active AC outlet. You must disconnect the power cord to avoid damage to the internal components of the computer.

5. If the computer is on a stand, remove the computer from the stand.
6. Remove the computer cover.



CAUTION After removing the computer cover, look for the LED on the system board between the DIMM sockets. If the LED is illuminated, the system still has power. Turn off the computer and remove the power cord before proceeding.

7. Locate the memory module sockets on the system board.



WARNING! To reduce risk of personal injury from hot surfaces, allow the internal system components to cool before touching.

- Open both latches of the memory module socket (1), and insert the memory module into the socket (2).

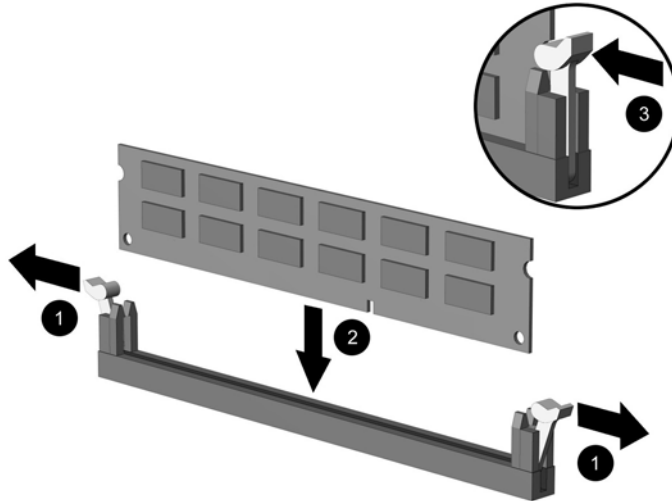


Figure 2-6 Installing a DIMM



NOTE A memory module can be installed in only one way. Match the notch on the module with the tab on the memory socket.

A DIMM must occupy the black XMM1 socket.

For maximum performance, populate the sockets so that the memory capacity is spread as equally as possible between Channel A and Channel B. Refer to [Populating DIMM Sockets](#) for more information.

- Push the module down into the socket, ensuring that the module is fully inserted and properly seated. Make sure the latches are in the closed position (3).
- Repeat steps 8 and 9 to install any additional modules.
- Replace the computer cover.
- If the computer was on a stand, replace the stand.
- Reconnect the power cord and turn on the computer.
- Lock any security devices that were disengaged when the computer cover was removed.

The computer should automatically recognize the additional memory the next time you turn on the computer.

Removing or Installing an Expansion Card

The computer has two standard low-profile PCI expansion slots that can accommodate an expansion card up to 17.46 cm (6.875 inches) in length. The computer also has one PCI Express x1 expansion slot and one PCI Express x16 expansion slot.



NOTE The PCI and PCI Express slots support only low profile cards unless an optional riser is installed. The optional riser supports two full height standard PCI slots. If the riser is installed, the PCI Express x16 expansion slot is inaccessible.

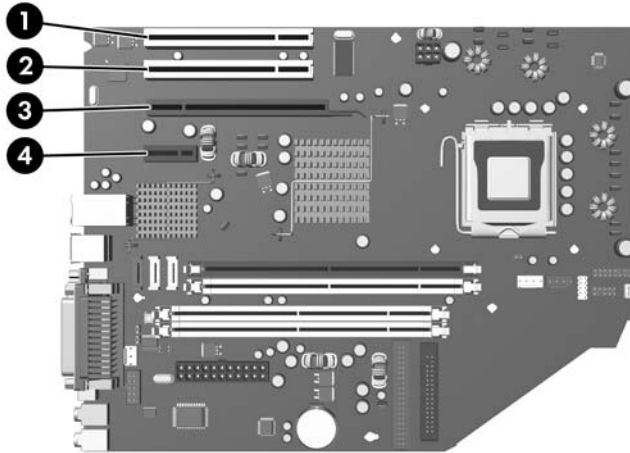


Figure 2-7 Expansion Slot Locations


Item	Description
1	PCI expansion slot
2	PCI expansion slot
3	PCI Express x16 expansion slot
4	PCI Express x1 expansion slot




NOTE You can install a PCI Express x1, x4, x8, or x16 expansion card in the PCI Express x16 expansion slot.

To install an expansion card:

1. Remove/disengage any security devices that prohibit opening the computer.
2. Remove all removable media, such as diskettes or compact discs, from the computer.
3. Turn off the computer properly through the operating system, then turn off any external devices.
4. Disconnect the power cord from the power outlet and disconnect any external devices.

 **CAUTION** Regardless of the power-on state, voltage is always present on the system board as long as the system is plugged into an active AC outlet. You must disconnect the power cord to avoid damage to the internal components of the computer.

5. If the computer is on a stand, remove the computer from the stand.
6. Remove the computer cover.

 **CAUTION** After removing the computer cover, look for the LED on the system board between the DIMM sockets. If the LED is illuminated, the system still has power. Turn off the computer and remove the power cord before proceeding.

7. Locate the correct vacant expansion socket on the system board and the corresponding expansion slot on the back of the computer chassis.
8. Release the slot cover retention latch that secures the PCI slot covers by lifting the green tab on the latch and rotating the latch to the open position.

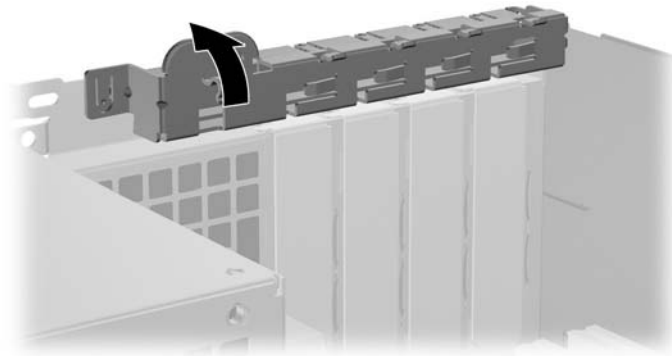


Figure 2-8 Opening the Expansion Slot Retainer

9. Before installing an expansion card, remove the expansion slot cover or the existing expansion card.



NOTE Before removing an installed expansion card, disconnect any cables that may be attached to the expansion card.

- a. If you are installing an expansion card in a vacant socket, remove the appropriate expansion slot cover on the back of the chassis. Pull the slot cover straight up then away from the inside of the chassis.

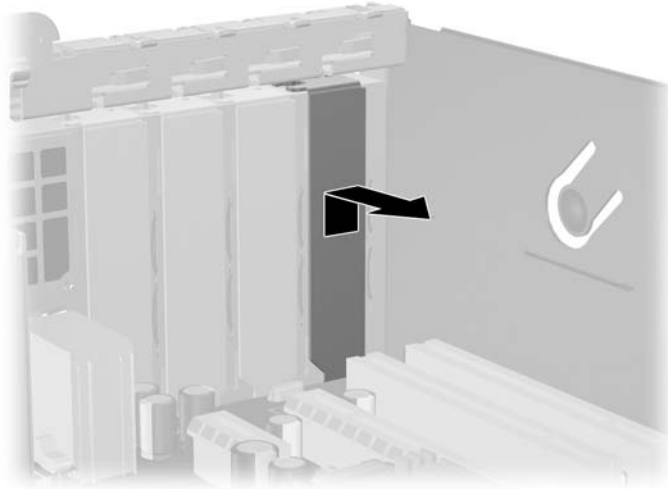


Figure 2-9 Removing an Expansion Slot Cover

- b. If you are removing a standard PCI card, hold the card at each end, and carefully rock it back and forth until the connectors pull free from the socket. Pull the expansion card straight up from the socket then away from the inside of the chassis to release it from the chassis frame. Be sure not to scrape the card against the other components.

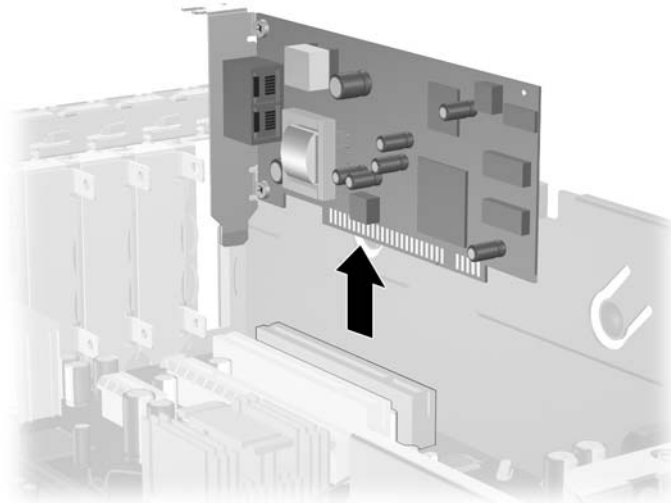


Figure 2-10 Removing a Standard PCI Expansion Card

- c. If you are removing a PCI Express x16 card, pull the retention arm on the back of the expansion socket away from the card and carefully rock the card back and forth until the connectors pull free from the socket. Pull the expansion card straight up from the socket then away from the inside of the chassis to release it from the chassis frame. Be sure not to scrape the card against the other components.

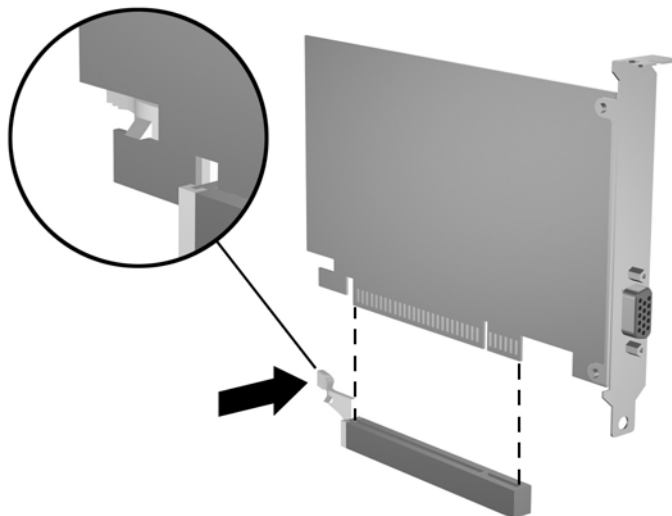


Figure 2-11 Removing a PCI Express x16 Expansion Card

10. Store the removed card in anti-static packaging.
11. If you are not installing a new expansion card, install an expansion slot cover to close the open slot.



CAUTION After removing an expansion card, you must replace it with a new card or expansion slot cover for proper cooling of internal components during operation.

12. To install a new expansion card, slide the card under the slot cover retention latch and press the card down into the socket on the system board.

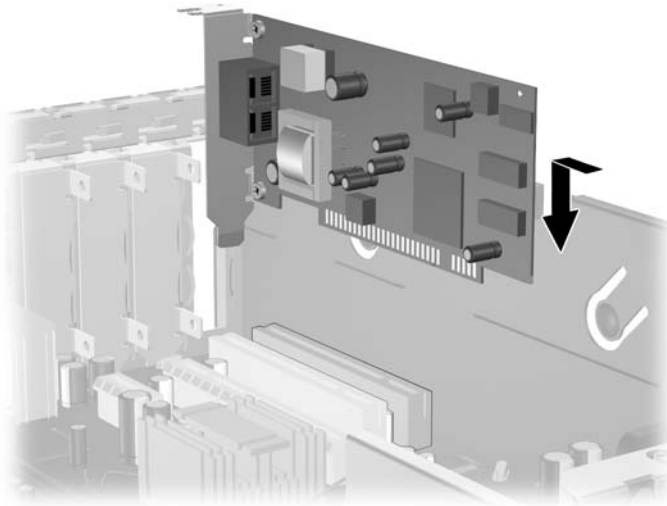


Figure 2-12 Installing an Expansion Card



NOTE When installing an expansion card, press firmly on the card so that the whole connector seats properly in the expansion card slot.

13. Rotate the slot cover retention latch back in place to secure the expansion card.
14. Connect external cables to the installed card, if needed. Connect internal cables to the system board, if needed.
15. Replace the computer cover.
16. If the computer was on a stand, replace the stand.
17. Reconnect the power cord and turn on the computer.
18. Lock any security devices that were disengaged when the computer cover was removed.
19. Reconfigure the computer, if necessary. Refer to the *Computer Setup (F10) Utility Guide* on the *Documentation and Diagnostics CD* for instructions about using Computer Setup.

Drive Positions



Figure 2-13 Drive Positions

1	3.5-inch internal hard drive bay
2	5.25-inch external drive bay for optional drives (optical drive shown)
3	3.5-inch external drive bay for optional drives (media card reader shown) ¹

¹ If the computer has a 1.44-MB diskette drive installed in the 3.5-inch drive bay, it will be configured with a diskette drive bezel (PN 360189-001). If the computer has a media card reader or a 3.5-inch device other than a diskette drive or hard drive, it will be configured with an optional device drive bezel (PN 358796-001). If the 3.5-inch drive bay is empty or contains a hard drive, then a bezel blank (PN 358797-001) will be installed on the computer instead.

To verify the type, size, and capacity of the storage devices installed in the computer, run Computer Setup. Refer to the *Computer Setup (F10) Utility Guide* on the *Documentation and Diagnostics CD* for more information.

Installing and Removing Drives

When installing additional drives, follow these guidelines:

- The primary Serial ATA (SATA) hard drive must be connected to the dark blue primary SATA connector on the system board labeled SATA0.
- Connect a SATA optical drive to the white SATA connector on the system board labeled SATA1.
- Connect a second SATA hard drive to the next available (unpopulated) SATA connector on the system board by following the numbered sequence of the connectors.
- Always populate the dark blue SATA0 and white SATA1 connectors before the light blue SATA2 connector.
- Connect a diskette drive to the connector labeled FLOPPY P10.
- The system does not support Parallel ATA (PATA) optical drives or PATA hard drives.
- You must install guide screws to ensure the drive will line up correctly in the drive cage and lock in place. HP has provided extra guide screws (four 6-32 standard screws and four M3 metric screws), installed in the front of the chassis, under the computer cover. The hard drive uses 6-32 standard screws. All other drives use M3 metric screws. The HP-supplied metric screws are black and the HP-supplied standard screws are silver.



CAUTION To prevent loss of work and damage to the computer or drive:

If you are inserting or removing a drive, shut down the operating system properly, turn off the computer, and unplug the power cord. After removing the computer cover, look for the LED on the system board between the DIMM sockets. If the LED is illuminated, the system still has power. Turn off the computer and remove the power cord before proceeding.

Before handling a drive, ensure that you are discharged of static electricity. While handling a drive, avoid touching the connector. For more information about preventing electrostatic damage, refer to Appendix D, [Electrostatic Discharge](#).

Handle a drive carefully; do not drop it.

Do not use excessive force when inserting a drive.

Avoid exposing a hard drive to liquids, temperature extremes, or products that have magnetic fields such as monitors or speakers.

If a drive must be mailed, place the drive in a bubble-pack mailer or other protective packaging and label the package "Fragile: Handle With Care."

Removing an Optical Drive



CAUTION All removable media should be taken out of a drive before removing the drive from the computer.



NOTE An optical drive is a CD-ROM, CD-R/RW, DVD-ROM, DVD+R/RW, or CD-RW/DVD Combo drive.

To remove an optical drive:

1. Remove/disengage any security devices that prohibit opening the computer.
2. Remove all removable media, such as diskettes or compact discs, from the computer.
3. Turn off the computer properly through the operating system, then turn off any external devices.
4. Disconnect the power cord from the power outlet and disconnect any external devices.



CAUTION Regardless of the power-on state, voltage is always present on the system board as long as the system is plugged into an active AC outlet. You must disconnect the power cord to avoid damage to the internal components of the computer.

5. If the computer is on a stand, remove the computer from the stand.
6. Remove the computer cover.



CAUTION After removing the computer cover, look for the LED on the system board between the DIMM sockets. If the LED is illuminated, the system still has power. Turn off the computer and remove the power cord before proceeding.

7. Rotate the drive cage to its upright position.

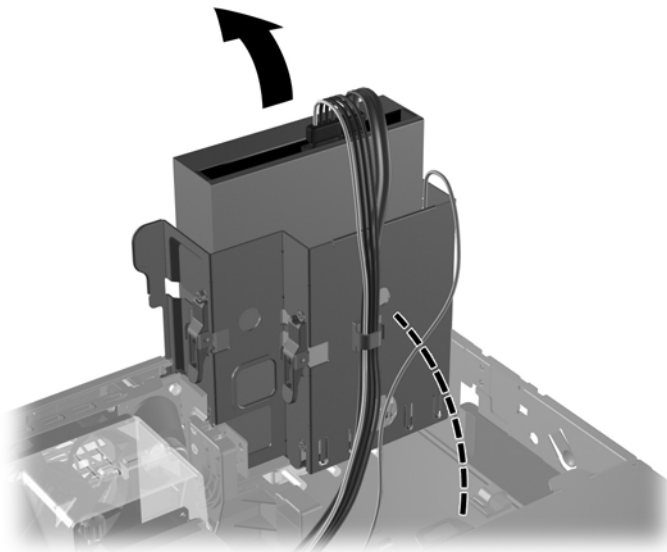


Figure 2-14 Rotating the Drive Cage Up

8. Disconnect the power cable (1) and data cable (2) from the rear of the optical drive.

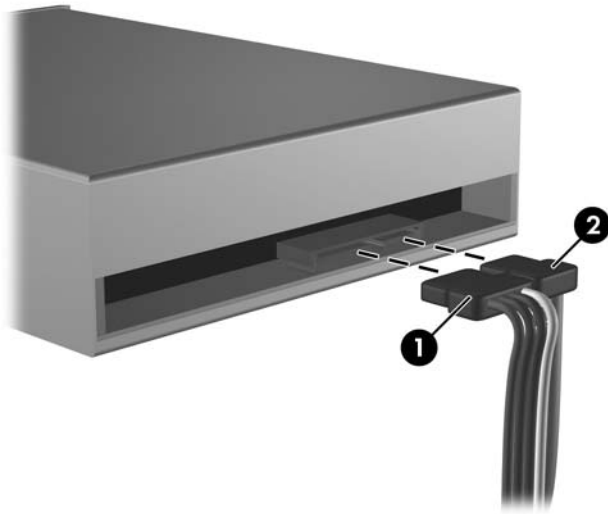


Figure 2-15 Disconnecting the Power and Data Cables

9. Rotate the drive cage back down to its normal position.



CAUTION Be careful not to pinch any cables or wires when rotating the drive cage down.

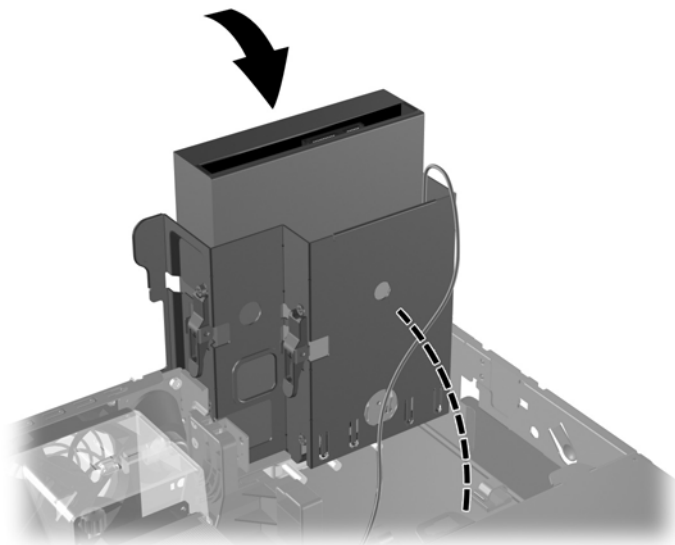


Figure 2-16 Rotating the Drive Cage Down

10. Press the green drive retainer latch (1) located on the side of the drive to disengage the drive from the drive cage. While pressing the drive retainer latch, slide the drive forward and lift it up and out of the drive cage (2).

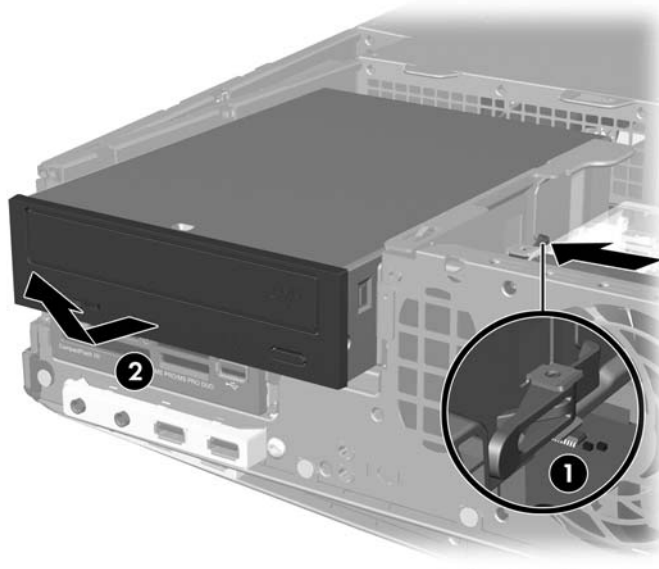


Figure 2-17 Removing the Optical Drive



NOTE To replace the optical drive, reverse the removal procedure. When replacing a drive, transfer the four guide screws from the old drive to the new one.

Installing an Optical Drive into the 5.25-inch Drive Bay

To install an optional 5.25-inch optical drive:

1. Remove/disengage any security devices that prohibit opening the computer.
2. Remove all removable media, such as diskettes or compact discs, from the computer.
3. Turn off the computer properly through the operating system, then turn off any external devices.
4. Disconnect the power cord from the power outlet and disconnect any external devices.



CAUTION Regardless of the power-on state, voltage is always present on the system board as long as the system is plugged into an active AC outlet. You must disconnect the power cord to avoid damage to the internal components of the computer.

5. If the computer is on a stand, remove the computer from the stand.
6. Remove the computer cover.



CAUTION After removing the computer cover, look for the LED on the system board between the DIMM sockets. If the LED is illuminated, the system still has power. Turn off the computer and remove the power cord before proceeding.

7. Install two M3 metric guide screws in the lower holes on each side of the drive. HP has provided four extra M3 metric guide screws on the front of the chassis, under the computer cover. The M3 metric guide screws are black.



CAUTION Use only 5-mm long screws as guide screws. Longer screws can damage the internal components of the drive.



NOTE When replacing the drive, transfer the four M3 metric guide screws from the old drive to the new one.



Figure 2-18 Installing Guide Screws in the Optical Drive

8. Position the guide screws on the drive into the J-slots in the drive bay (1). Then slide the drive toward the rear of the computer (2) until it locks into place.

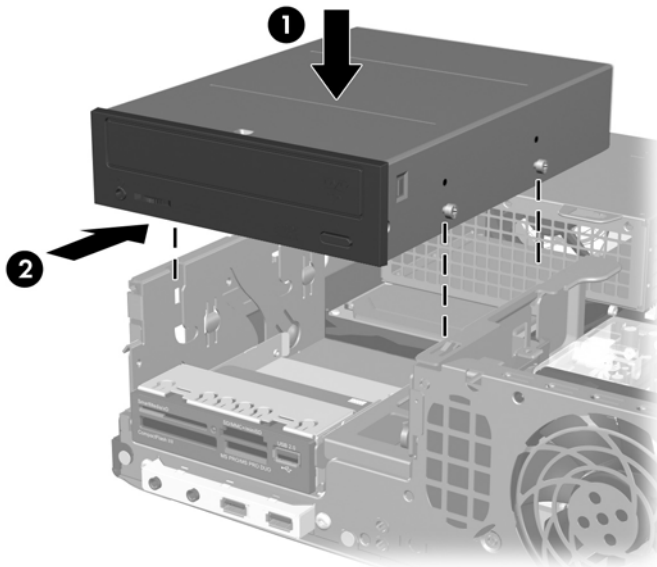


Figure 2-19 Installing the Optical Drive

9. Rotate the drive cage to its upright position.

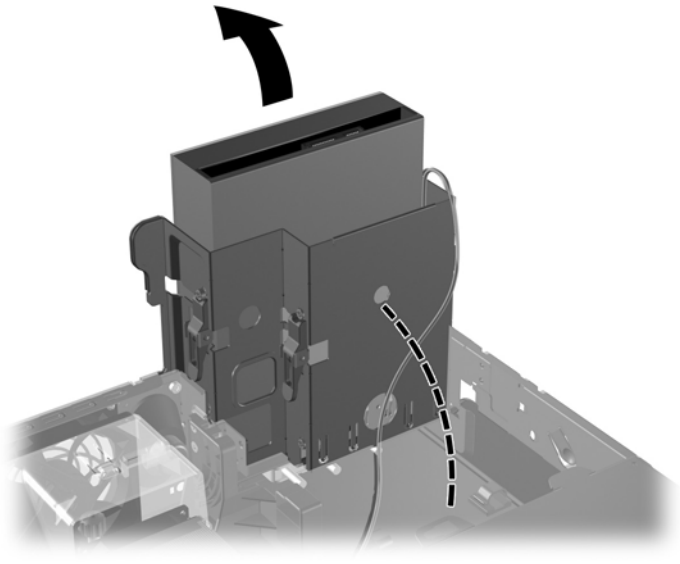


Figure 2-20 Rotating the Drive Cage Up

10. Connect the SATA data cable to the white system board connector labeled SATA1.
11. Route the data cable through the cable guides.



CAUTION There are two cable guides that keep the data cable from being pinched by the drive cage when raising or lowering it. One is located on the clutch base to the right of the drive cage. The other is located on the bottom side of the drive cage. Ensure that the data cable is routed through these guides before connecting it to the optical drive.

12. Connect the power cable (1) and data cable (2) to the rear of the optical drive.

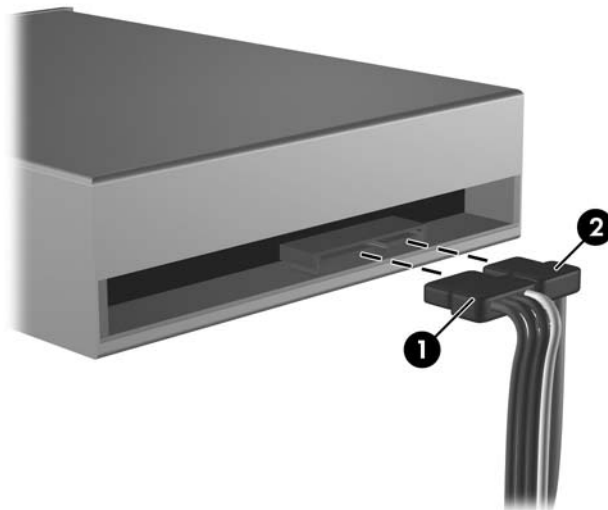


Figure 2-21 Connecting the Power and Data Cables

13. Rotate the drive cage back down to its normal position.



CAUTION Be careful not to pinch any cables or wires when rotating the drive cage down.

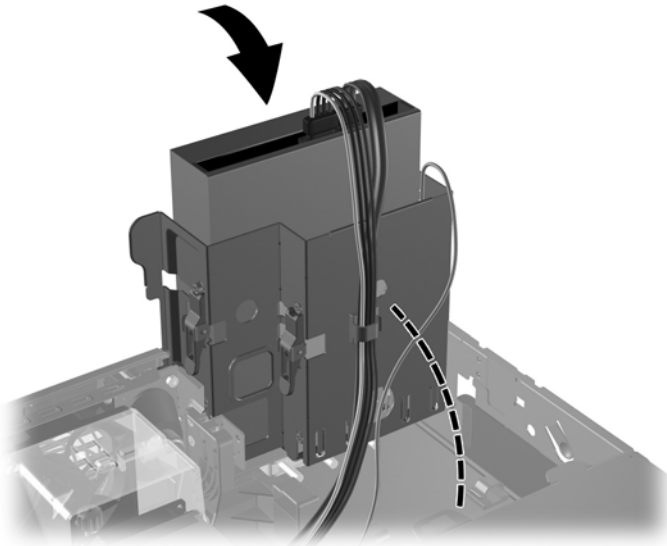


Figure 2-22 Rotating the Drive Cage Down

14. Replace the computer cover.
15. If the computer was on a stand, replace the stand.
16. Reconnect the power cord and turn on the computer.
17. Lock any security devices that were disengaged when the computer cover was removed.

The system automatically recognizes the drive and reconfigures the computer.

Removing an External 3.5-inch Drive



CAUTION All removable media should be taken out of a drive before removing the drive from the computer.



NOTE The 3.5-inch drive bay may contain a diskette drive or a media card reader.

The 3.5-inch drive is located underneath the optical drive. You must remove the optical drive before removing the external 3.5-inch drive.

1. Follow the procedure in the above section, [Removing an Optical Drive](#), to remove the optical drive and access the 3.5-inch drive.



CAUTION Ensure that the computer is turned off and that the power cord is disconnected from the electrical outlet. After removing the computer cover, look for the LED on the system board between the DIMM sockets. If the LED is illuminated, the system still has power. Turn off the computer and remove the power cord before proceeding.

2. Disconnect the drive cables, as indicated in the following illustrations:
 - a. If you are removing a diskette drive, disconnect the data cable (1) and power cable (2) from the back of the drive.

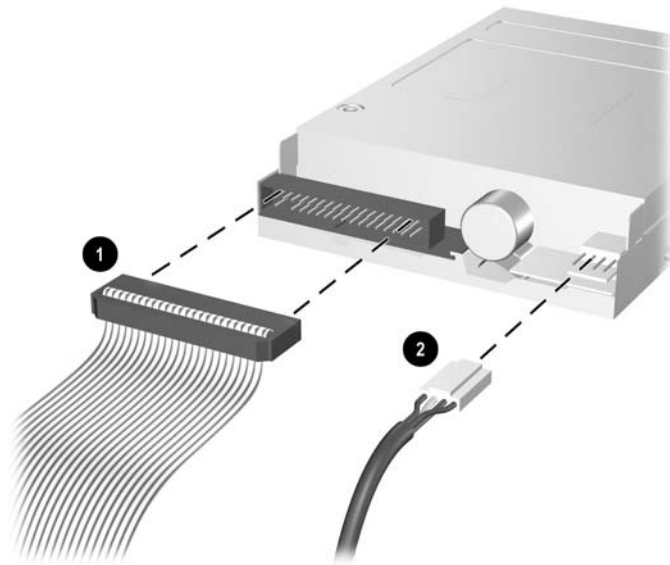


Figure 2-23 Disconnecting the Diskette Drive Cables

- b. If you are removing a media card reader, disconnect the USB cable from the PCI card.

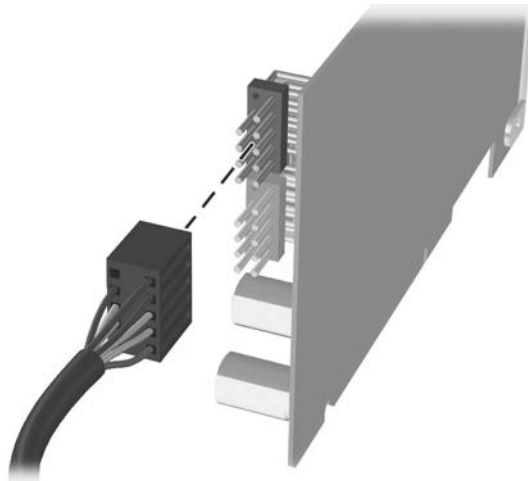


Figure 2-24 Disconnecting the Media Card Reader Cable

3. Press the green drive retention latch (1) located on the side of the drive to disengage the drive from the drive cage and slide the drive forward approximately 1/4 inch (6 millimeters) (2).

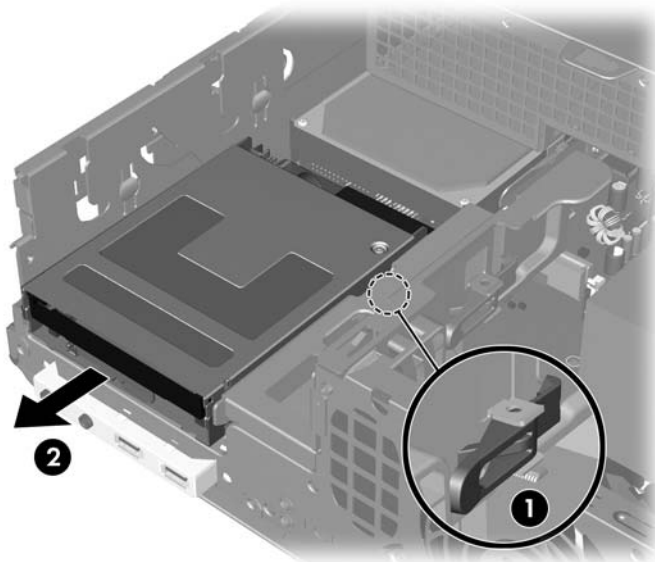


Figure 2-25 Disengaging the 3.5-inch Drive (Diskette Drive shown)

4. Lift the rear of the drive up so that the rear guide screws clear the top of the drive cage (1). As the drive rises it automatically slides forward until it is free from the drive cage (2).

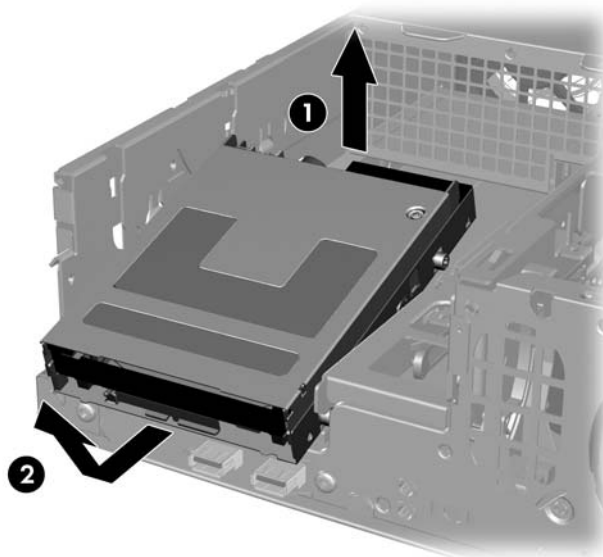


Figure 2-26 Removing a 3.5-inch Drive (Diskette Drive shown)



NOTE To replace the 3.5-inch drive, reverse the removal procedure making sure you slide the front guide screws into the cage first then rotate the rear of the drive down and slide it back until it locks into position.

When replacing a 3.5-inch drive, transfer the four guide screws from the old drive to the new one.

Installing a Drive into the 3.5-inch External Drive Bay

Depending on the computer configuration, the 3.5-inch external drive bay on the front of the computer may be configured with a media card reader or a diskette drive, or it may be an empty drive bay. The type of bezel covering the drive bay will vary depending on the original computer configuration.

If the computer was not configured with a 3.5-inch drive, you can install a media card reader, diskette drive, or hard drive into the drive bay.

The 3.5-inch bay is located underneath the optical drive. To install a drive into the 3.5-inch bay:



NOTE Install guide screws to ensure the drive will line up correctly in the drive cage and lock in place. HP has provided extra guide screws (four 6-32 standard screws and four M3 metric screws), installed in the front of the chassis, under the computer cover. The hard drive uses 6-32 standard screws. All other drives use M3 metric screws. The HP-supplied M3 metric screws are black and the HP-supplied 6-32 standard screws are silver.

1. Follow the procedure described in the [Removing an Optical Drive](#) section to remove the optical drive and access the 3.5-inch drive bay.



CAUTION Ensure that the computer is turned off and that the power cord is disconnected from the electrical outlet. After removing the computer cover, look for the LED on the system board between the DIMM sockets. If the LED is illuminated, the system still has power. Turn off the computer and remove the power cord before proceeding.

2. Hold the drive at an angle with the rear guide screws above the drive cage and slide the drive back so that the front guide screws slide into the J-slots on the drive bay.



Figure 2-27 Installing a Drive into the 3.5-inch Drive Bay (Hard Drive shown)

3. Align the rear guide screws with the rear J-slots on the drive cage and press down on the rear of the drive (1), then slide the drive back until it locks into place (2).

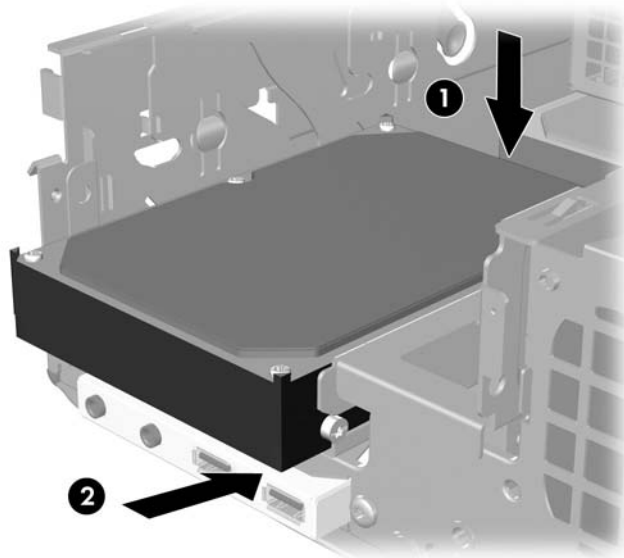


Figure 2-28 Installing a Drive into the 3.5-inch Drive Bay (Hard Drive shown)

4. Connect the appropriate drive cables:
 - a. If installing a diskette drive, connect the power and data cables to the rear of the drive and connect the other end of the data cable to the connector on the system board labeled FLOPPY P10.
 - b. If installing a second hard drive, connect the power and data cables to the rear of the drive and connect the other end of the data cable to the next available (unpopulated) SATA connector on the system board by following the numbered sequence of the connectors.
 - c. If installing a media card reader, install the PCI card included with the media card reader and connect the USB cable from the media card reader to the USB connector on the PCI card.
5. Replace the optical drive.

6. Remove the drive bezel by pressing inward on all the tabs on the left, right, and bottom of the drive bezel (1) and pushing the drive bezel out of the larger front bezel (2).



NOTE The type of bezel will vary depending on the computer configuration.

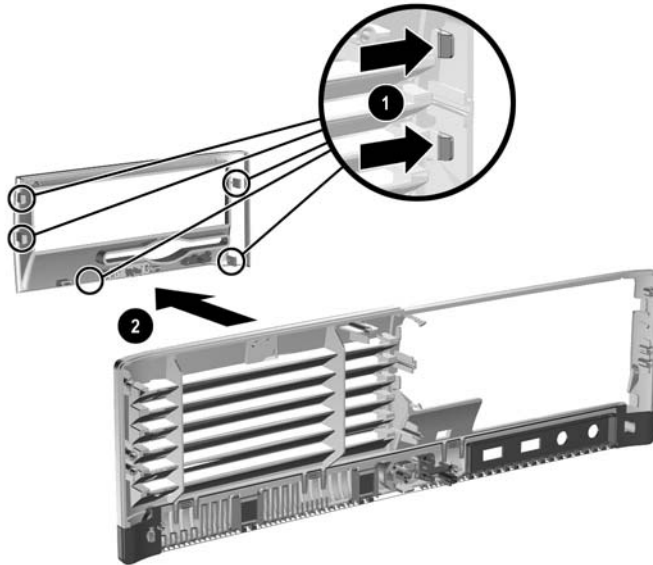


Figure 2-29 Removing a Drive Bezel (Diskette Drive Bezel shown)

7. Replace the removed drive bezel with the appropriate bezel by pushing the bezel into place.



Figure 2-30 Installing a Drive Bezel (Bezel Blank for Hard Drive shown)



NOTE The type of bezel you need will depend on the type of drive you plan to install. If you are installing a diskette drive, you must install a diskette drive bezel (PN 360189-001). If you are installing a hard drive, you must install a bezel blank (PN 358797-001). If you are installing a 3.5-inch drive other than a diskette drive or hard drive, such as a media card reader, you must install the 3.5-inch optional device drive bezel (PN 358796-001). Contact an authorized HP reseller or service provider to order the appropriate bezel when reconfiguring the computer.

8. Replace the computer cover.
9. If the computer was on a stand, replace the stand.

10. Reconnect the power cord and turn on the computer.
11. Lock any security devices that were disengaged when the computer cover was removed.

Removing and Replacing the Primary 3.5-inch Internal SATA Hard Drive



NOTE The system does not support Parallel ATA (PATA) hard drives.

Before you remove the old hard drive, be sure to back up the data from the old hard drive so that you can transfer the data to the new hard drive. Also, if you are replacing the primary hard drive, make sure you have the *Restore Plus!* CD set that you created when you initially set up the computer to restore the operating system, software drivers, and any software applications that were preinstalled on the computer. If you do not have this CD set, create it now. Refer to the *HP Backup and Recovery Manager User Guide* in the Windows **Start** menu for more information. You may wish to print this guide for easy reference.

The preinstalled 3.5-inch hard drive is located under the power supply. To remove and replace the hard drive:

1. Remove/disengage any security devices that prohibit opening the computer.
2. Remove all removable media, such as diskettes or compact discs, from the computer.
3. Turn off the computer properly through the operating system, then turn off any external devices.
4. Disconnect the power cord from the power outlet and disconnect any external devices.



CAUTION Regardless of the power-on state, voltage is always present on the system board as long as the system is plugged into an active AC outlet. You must disconnect the power cord to avoid damage to the internal components of the computer.

5. If the computer is on a stand, remove the computer from the stand.
6. Remove the computer cover.



CAUTION After removing the computer cover, look for the LED on the system board between the DIMM sockets. If the LED is illuminated, the system still has power. Turn off the computer and remove the power cord before proceeding.

7. Rotate the drive cage for external drives to its upright position.

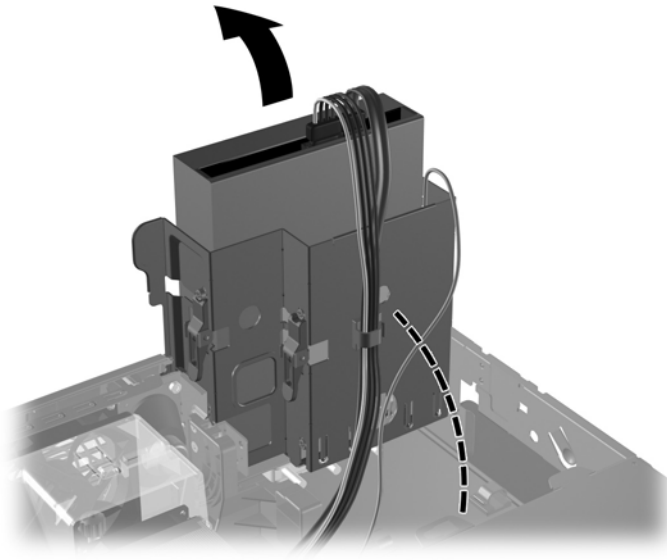


Figure 2-31 Rotating the Drive Cage Up

8. Remove the security clip (if installed) that secures the rear chassis wall to the power supply.

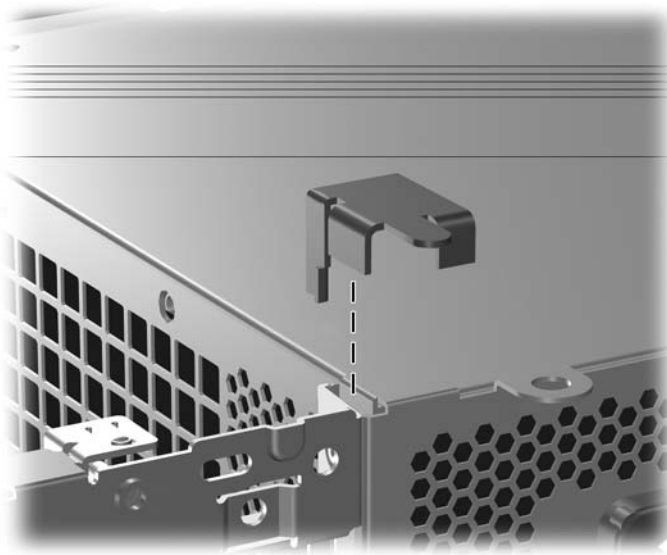


Figure 2-32 Removing the Security Clip

9. Rotate the power supply cage to its upright position. The hard drive is located beneath the power supply cage.



CAUTION If the computer has a Smart Cover Lock installed next to the drive cage, carefully route all cables around the Smart Cover Lock assembly as you raise the power supply to avoid damage to the cables or lock.

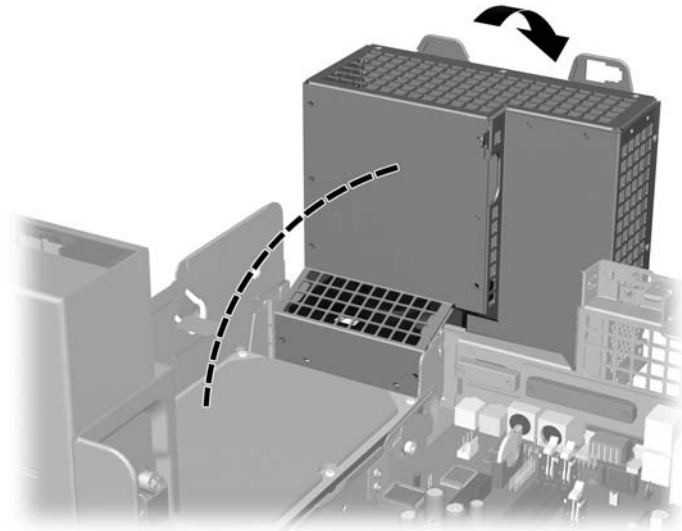


Figure 2-33 Raising the Power Supply Cage

10. Disconnect the power cable (1) and data cable (2) from the back of the hard drive.

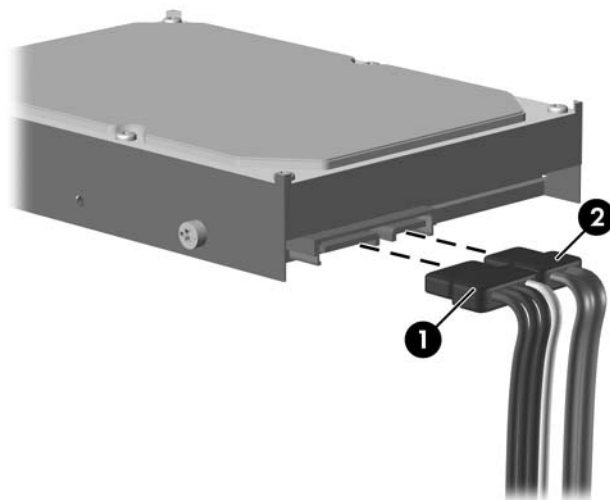


Figure 2-34 Disconnecting the Hard Drive Power Cable and Data Cable

11. Pull the green tab that locks the drive in place away from the drive (1), slide the hard drive toward the front of the computer until it stops, then lift the drive up and out of the bay (2).

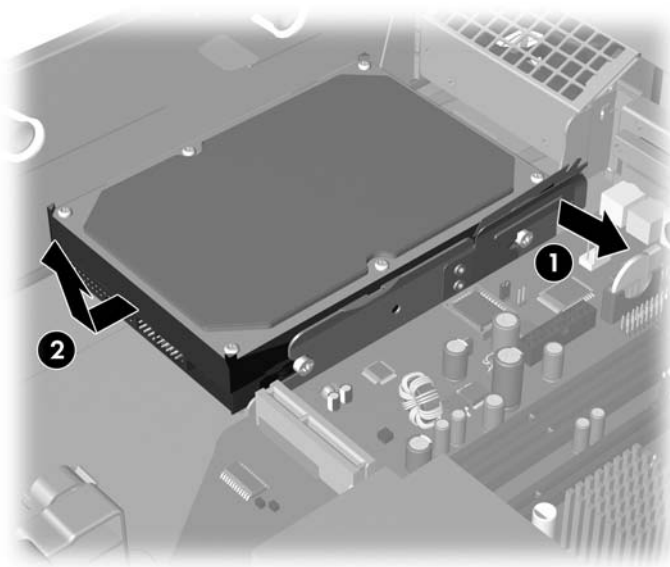


Figure 2-35 Removing the Hard Drive

12. To install a hard drive, reverse the above procedure.




NOTE When replacing the primary hard drive, be sure to route the SATA cable through the opening on the clutch base located at the bottom of the chassis frame to the right of the drive cage.

If the system has only one SATA hard drive, the data cable must be connected to the dark blue connector labeled SATA0 on the system board to avoid any hard drive performance problems. If you are adding a second hard drive, connect the other end of the data cable to the next available (unpopulated) SATA connector on the system board by following the numbered sequence of the connectors.

When replacing the hard drive, transfer the four screws from the old drive to the new one. The screws take the place of drive rails. You will need a Torx T-15 screwdriver to remove and re-install the guide screws. HP has provided four extra 6-32 standard guide screws on the front of the chassis, under the computer cover. The 6-32 standard guide screws are silver.

If you replaced the primary hard drive, use the *Restore Plus!* CD set that you created when you initially set up the computer to restore the operating system, software drivers, and any software applications that were preinstalled on the computer. When the restore process has completed, reinstall any personal files that you backed up before replacing the hard drive.

A Specifications

Desktop Dimensions		
Height	3.95 in	10.3 cm
Width	13.3 in	33.78 cm
Depth (depth will increase if the computer is equipped with a port security bracket)	14.9 in	37.85 cm
Approximate Weight		
	21 lb	9.53 kg
Temperature Range		
Operating	50° to 95°F	10° to 35°C
Nonoperating	-22° to 140°F	-30° to 60°C
Relative Humidity (noncondensing)		
Operating	10-90%	10-90%
Nonoperating (38.7°C max wet bulb)	5-95%	5-95%
Maximum Altitude (unpressurized)		
Operating	10,000 ft	3048 m
Nonoperating	30,000 ft	9144 m
 NOTE	Operating temperature is derated 1.0° C per 300 m (1000 ft) to 3000 m (10,000 ft) above sea level; no direct sustained sunlight. Maximum rate of change is 10° C/Hr. The upper limit may be limited by the type and number of options installed.	
Heat Dissipation		
Maximum	1260 BTU/hr	318 kg-cal/hr
Typical (idle)	340 BTU/hr	86 kg-cal/hr
Power Supply		
	115V	230V
Operating Voltage Range ¹	90-264 VAC	90-264 VAC
Rated Voltage Range	100-240 VAC	100-240 VAC
Rated Line Frequency	50-60 Hz	50-60 Hz
Power Output		
	240 W	240 W

Rated Input Current (maximum)¹	5A @ 100 VAC	2.5A @ 200 VAC
--	--------------	----------------

¹ This system utilizes an active power factor corrected power supply. This allows the system to pass the CE mark requirements for use in the countries of the European Union. The active power factor corrected power supply also has the added benefit of not requiring an input voltage range select switch.

B Battery Replacement

The battery that comes with the computer provides power to the real-time clock. When replacing the battery, use a battery equivalent to the battery originally installed in the computer. The computer comes with a 3-volt lithium coin cell battery.



WARNING! The computer contains an internal lithium manganese dioxide battery. There is a risk of fire and burns if the battery is not handled properly. To reduce the risk of personal injury:

Do not attempt to recharge the battery.

Do not expose to temperatures higher than 60°C (140°F).

Do not disassemble, crush, puncture, short external contacts, or dispose of in fire or water.

Replace the battery only with the HP spare designated for this product.



CAUTION Before replacing the battery, it is important to back up the computer CMOS settings. When the battery is removed or replaced, the CMOS settings will be cleared. Refer to the *Computer Setup (F10) Utility Guide* on the *Documentation and Diagnostics CD* for information on backing up the CMOS settings.

Static electricity can damage the electronic components of the computer or optional equipment. Before beginning these procedures, ensure that you are discharged of static electricity by briefly touching a grounded metal object.



NOTE The lifetime of the lithium battery can be extended by plugging the computer into a live AC wall socket. The lithium battery is only used when the computer is NOT connected to AC power.

HP encourages customers to recycle used electronic hardware, HP original print cartridges, and rechargeable batteries. For more information about recycling programs, go to <http://www.hp.com/recycle>.

1. Remove/disengage any security devices that prohibit opening the computer.
2. Remove all removable media, such as diskettes or compact discs, from the computer.
3. Turn off the computer properly through the operating system, then turn off any external devices.
4. Disconnect the power cord from the power outlet and disconnect any external devices.



CAUTION Regardless of the power-on state, voltage is always present on the system board as long as the system is plugged into an active AC outlet. You must disconnect the power cord to avoid damage to the internal components of the computer.

5. If the computer is on a stand, remove the computer from the stand.
6. Remove the computer cover.



CAUTION After removing the computer cover, look for the LED on the system board between the DIMM sockets. If the LED is illuminated, the system still has power. Turn off the computer and remove the power cord before proceeding.

7. Locate the battery and battery holder on the system board.



NOTE On some computer models, it may be necessary to remove an internal component to gain access to the battery.

8. Depending on the type of battery holder on the system board, complete the following instructions to replace the battery.

Type 1

- a. Lift the battery out of its holder.

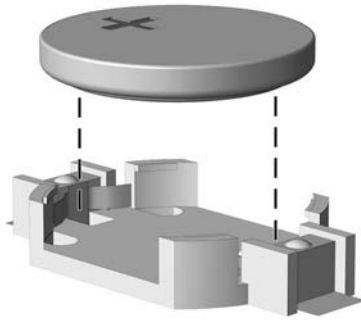


Figure B-1 Removing a Coin Cell Battery (Type 1)

- b. Slide the replacement battery into position, positive side up. The battery holder automatically secures the battery in the proper position.

Type 2

- a. To release the battery from its holder, squeeze the metal clamp that extends above one edge of the battery. When the battery pops up, lift it out (1).

- b. To insert the new battery, slide one edge of the replacement battery under the holder's lip with the positive side up. Push the other edge down until the clamp snaps over the other edge of the battery (2).

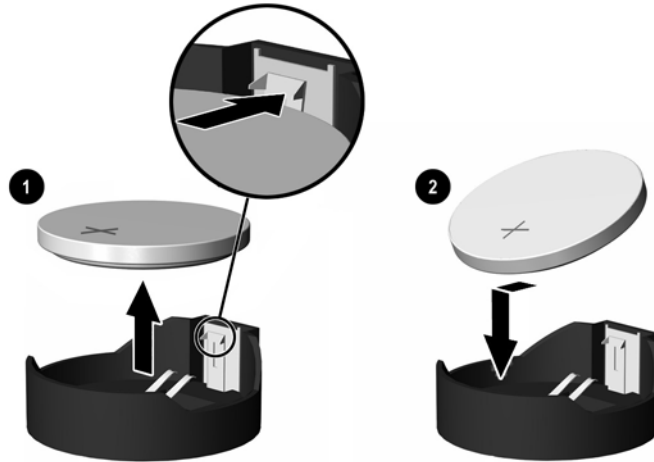


Figure B-2 Removing and Replacing a Coin Cell Battery (Type 2)

Type 3

- a. Pull back on the clip (1) that is holding the battery in place, and remove the battery (2).
- b. Insert the new battery and position the clip back into place.

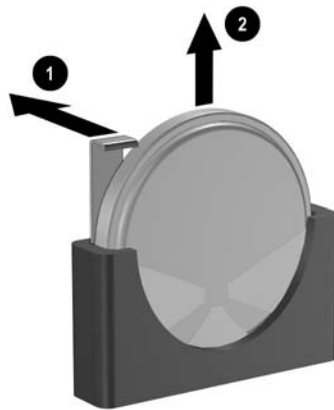


Figure B-3 Removing a Coin Cell Battery (Type 3)



NOTE After the battery has been replaced, use the following steps to complete this procedure.

9. Replace the computer cover.
10. If the computer was on a stand, replace the stand.
11. Plug in the computer and turn on power to the computer.

12. Reset the date and time, your passwords, and any special system setups using Computer Setup. Refer to the *Computer Setup (F10) Utility Guide* on the *Documentation and Diagnostics CD*.
13. Lock any security devices that were disengaged when the computer cover was removed.

C External Security Devices



NOTE For information on data security features, refer to the *Computer Setup (F10) Utility Guide* and the *Desktop Management Guide* on the *Documentation and Diagnostics CD* and the *HP ProtectTools Security Manager Guide* (some models) at <http://www.hp.com>.

Installing a Security Lock

The security locks displayed below and on the following page can be used to secure the computer.

Cable Lock



Figure C-1 Installing a Cable Lock

Padlock



Figure C-2 Installing a Padlock

D Electrostatic Discharge

A discharge of static electricity from a finger or other conductor may damage system boards or other static-sensitive devices. This type of damage may reduce the life expectancy of the device.

Preventing Electrostatic Damage

To prevent electrostatic damage, observe the following precautions:

- Avoid hand contact by transporting and storing products in static-safe containers.
- Keep electrostatic-sensitive parts in their containers until they arrive at static-free workstations.
- Place parts on a grounded surface before removing them from their containers.
- Avoid touching pins, leads, or circuitry.
- Always be properly grounded when touching a static-sensitive component or assembly.

Grounding Methods

There are several methods for grounding. Use one or more of the following methods when handling or installing electrostatic-sensitive parts:

- Use a wrist strap connected by a ground cord to a grounded workstation or computer chassis. Wrist straps are flexible straps with a minimum of 1 megohm +/- 10 percent resistance in the ground cords. To provide proper ground, wear the strap snug against the skin.
- Use heelstraps, toestraps, or bootstraps at standing workstations. Wear the straps on both feet when standing on conductive floors or dissipating floor mats.
- Use conductive field service tools.
- Use a portable field service kit with a folding static-dissipating work mat.

If you do not have any of the suggested equipment for proper grounding, contact an HP authorized dealer, reseller, or service provider.



NOTE For more information on static electricity, contact an HP authorized dealer, reseller, or service provider.

E Computer Operating Guidelines, Routine Care and Shipping Preparation

Computer Operating Guidelines and Routine Care

Follow these guidelines to properly set up and care for the computer and monitor:

- Keep the computer away from excessive moisture, direct sunlight, and extremes of heat and cold.
- Operate the computer on a sturdy, level surface. Leave a 10.2-cm (4-inch) clearance on all vented sides of the computer and above the monitor to permit the required airflow.
- Never restrict the airflow into the computer by blocking any vents or air intakes. Do not place the keyboard, with the keyboard feet down, directly against the front of the desktop unit as this also restricts airflow.
- Never operate the computer with the cover or side panel removed.
- Do not stack computers on top of each other or place computers so near each other that they are subject to each other's re-circulated or preheated air.
- If the computer is to be operated within a separate enclosure, intake and exhaust ventilation must be provided on the enclosure, and the same operating guidelines listed above will still apply.
- Keep liquids away from the computer and keyboard.
- Never cover the ventilation slots on the monitor with any type of material.
- Install or enable power management functions of the operating system or other software, including sleep states.
- Turn off the computer before you do either of the following:
 - Wipe the exterior of the computer with a soft, damp cloth as needed. Using cleaning products may discolor or damage the finish.
 - Occasionally clean the air vents on all vented sides of the computer. Lint, dust, and other foreign matter can block the vents and limit the airflow.

Optical Drive Precautions

Be sure to observe the following guidelines while operating or cleaning the optical drive.

Operation

- Do not move the drive during operation. This may cause it to malfunction during reading.
- Avoid exposing the drive to sudden changes in temperature, as condensation may form inside the unit. If the temperature suddenly changes while the drive is on, wait at least one hour before you turn off the power. If you operate the unit immediately, it may malfunction while reading.
- Avoid placing the drive in a location that is subject to high humidity, extreme temperatures, mechanical vibration, or direct sunlight.

Cleaning

- Clean the panel and controls with a soft, dry cloth or a soft cloth lightly moistened with a mild detergent solution. Never spray cleaning fluids directly on the unit.
- Avoid using any type of solvent, such as alcohol or benzene, which may damage the finish.

Safety

If any object or liquid falls into the drive, immediately unplug the computer and have it checked by an authorized HP service provider.

Shipping Preparation

Follow these suggestions when preparing to ship the computer:

1. Back up the hard drive files on PD discs, tape cartridges, CDs, or diskettes. Be sure that the backup media is not exposed to electrical or magnetic impulses while stored or in transit.



NOTE The hard drive locks automatically when the system power is turned off.

2. Remove and store all removable media.
3. Insert a blank diskette into the diskette drive to protect the drive while in transit. Do not use a diskette on which you have stored or plan to store data.
4. Turn off the computer and external devices.
5. Disconnect the power cord from the electrical outlet, then from the computer.
6. Disconnect the system components and external devices from their power sources, then from the computer.



NOTE Ensure that all boards are seated properly and secured in the board slots before shipping the computer.

7. Pack the system components and external devices in their original packing boxes or similar packaging with sufficient packing material to protect them.

Index

A

access panel
locking and unlocking 11, 47
audio connectors 2, 4

B

backup and recovery 40
battery replacement 43

C

computer cover
removing 13
replacing 14
computer operating guidelines 51
connecting drive cables 25

D

DIMMs. *See* memory
diskette drive
installing 34
removing 31
drives
bezels 24
connecting cables 25
installing 25
locations 24

E

electrostatic discharge, preventing
damage 49
expansion card
installing 19
removing 19
slot locations 19
expansion slot cover
removing 21
replacing 23

F

FailSafe Key 11

front panel components 2

G

guide screws 25

H

hard drive
installing 37
installing secondary 34
removing 37
restoring software 40
headphone connector 2

I

installation guidelines 9
installing
battery 43
diskette drive 34
drive cables 25
expansion card 19
guide screws 25
hard drive 37
media card reader 34
memory 15
optical drive 28
restore software 40
security locks 47

K

keyboard
components 5
connector 4

L

line-in connector 4
line-out connector 4
locks
cable lock 47
padlock 48
Smart Cover Lock 11

M

media card reader
features 3
installing 34
removing 31
memory
installing 15
populating sockets 16
specifications 15
microphone connector 2
monitor connector 4
mouse
connector 4
special functions 7

N

network connector 4

O

optical drive
cleaning 52
defined 2
installing 28
precautions 52
removing 26

P

parallel connector 4
PCI card 19, 22
PCI Express card 19, 22
power supply 41
product ID location 7

R

rear panel components 4
removing
battery 43
computer cover 13
diskette drive 31
expansion card 19

- expansion slot cover 21
- hard drive 37
- media card reader 31
- optical drive 26
- PCI card 22
- PCI Express card 22
- Smart Cover Lock 11

S

- security
 - cable lock 47
 - padlock 48
 - Smart Cover Lock 11
- serial connector 4
- serial number location 7
- shipping preparation 52
- Smart Cover Lock 11
- specifications
 - computer 41
 - memory 15

T

- tower orientation 10

U

- unlocking access panel 11, 47
- USB ports
 - front panel 2
 - rear panel 4

V

- ventilation guidelines 51

W

- Windows Logo key 6

Free Manuals Download Website

<http://myh66.com>

<http://usermanuals.us>

<http://www.somanuals.com>

<http://www.4manuals.cc>

<http://www.manual-lib.com>

<http://www.404manual.com>

<http://www.luxmanual.com>

<http://aubethermostatmanual.com>

Golf course search by state

<http://golfingnear.com>

Email search by domain

<http://emailbydomain.com>

Auto manuals search

<http://auto.somanuals.com>

TV manuals search

<http://tv.somanuals.com>