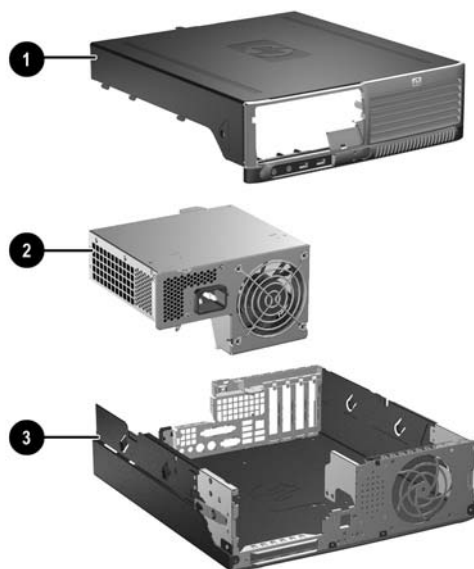


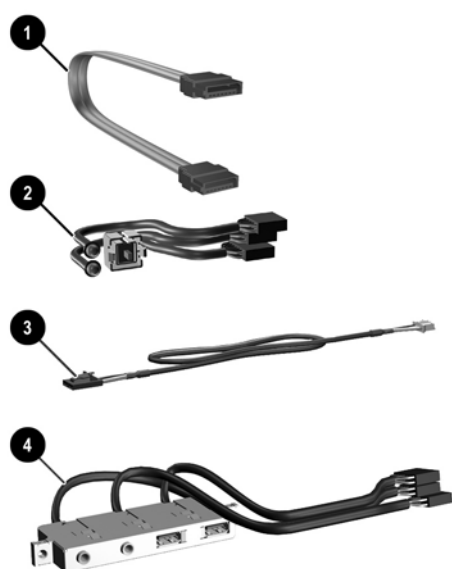
HP Compaq Business Desktop dc7100 Series Personal Computer

Illustrated Parts Map
Small Form Factor



System Unit

1	Computer cover assy with front bezel and no inserts	378007-001
1	Computer cover assembly with front bezel and no inserts (not painted, for Blue Angel use only)	367855-001
2	Power supply, PFC	350030-001
3	Chassis assembly	not spared



Cables

1	SATA hard drive cable, 24" (326965-007)	368388-001
2	Power switch/LED cable - use switch holder (370857-001)	368387-001
3	Audio cable (CD to system board) (387527-001)	149806-001
4	Front I/O device with cable	368386-001
*	Diskette drive cable (168999-006)	370499-001
*	UATA data cable, 8.6" (108950-054)	368389-001
*	Cable for PCI serial port card (use with 283984-005)	302652-005
*	Cable for Wireless LAN (use with 332963-005, 333364-005, 354900-005, 354901-005)	333365-005
*	Y-adaptor power cable	374791-001

*Not shown

© 2004 Hewlett-Packard Development Company, L.P.

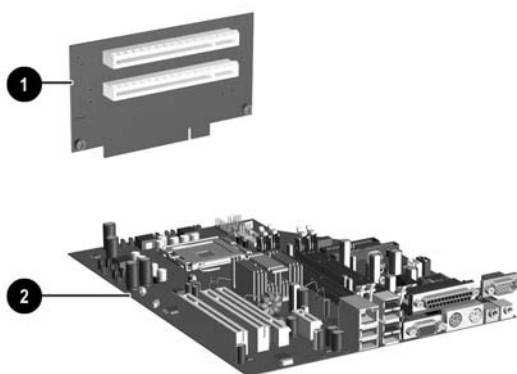
HP and the HP logo are trademarks of Hewlett-Packard Development Company, L.P.

All other product names mentioned herein may be trademarks of their respective companies.

HP shall not be liable for technical or editorial errors or omissions contained herein. The information in this document is provided "as is" without warranty of any kind and is subject to change without notice. The warranties for HP products are set forth in the express limited warranty statements accompanying such products. **Nothing herein should be construed as constituting an additional warranty.**

September 2004

Document Number
361291-001



Standard and Optional Boards

1	System board with alcohol pad and thermal grease	361682-001
2	Riser board (riser board is spared complete with expansion/riser card holder and computer backwall)	371291-001

Memory Modules

*	128 MB/400 MHz FSB	335697-005
*	256 MB/400 MHz FSB	335698-005
*	512 MB/400 MHz FSB	335699-005
*	1.0 GB/400 MHz FSB	335700-005

Intel Pentium 4 Processors with alcohol pad and thermal grease

*	2.8 GHz/800 MHz FSB, 1MB cache	367594-001
*	3.0 GHz/800 MHz FSB, 1MB cache	366643-001
*	3.2 GHz/800 MHz FSB, 1MB cache	366644-001
*	3.4 GHz/800 MHz FSB, 1MB cache	367415-001
*	3.6 GHz/800 MHz FSB, 1MB cache	367416-001

Other Cards

*	TPM security module	366504-001
*	PCI Modem, International, FH bracket	361286-021
*	PCI Modem, International, LP bracket	361287-021
*	Broadcom Gigabit NIC, FH bracket	321793-005
*	Broadcom Gigabit NIC, LP bracket	367853-001
*	Intel Gigabit NIC	314901-005
*	Intel Pro 10/100/1000 MT NIC, LP bracket	338154-005
*	FireWire 1394 card, 2 ext/1 int port, LP bracket	361551-001
*	FireWire 1394 card, 2 ext/1 int port, FH bracket	361552-001
*	PCI serial port card without internal cable/mtg bkt. (see cable 302652-005)	283984-005

Wireless LAN adapters (802.11b)

*	11 channel, FH bracket - use cable 333365-005	332963-005
*	13 channel, FH bracket - use cable 333365-005	333364-005
*	13 channel, LP bracket - use cable 333365-005	354900-005

Graphics Solutions

*	4 Layer ADD2 Graphics, LP bracket	361264-001
*	ATI RV370 VGA graphics, 64M, LP bracket	364833-001
*	ATI RV370 VGA graphics, 128M, LP bracket	364834-001

*Not shown

LP = Low profile mounting bracket

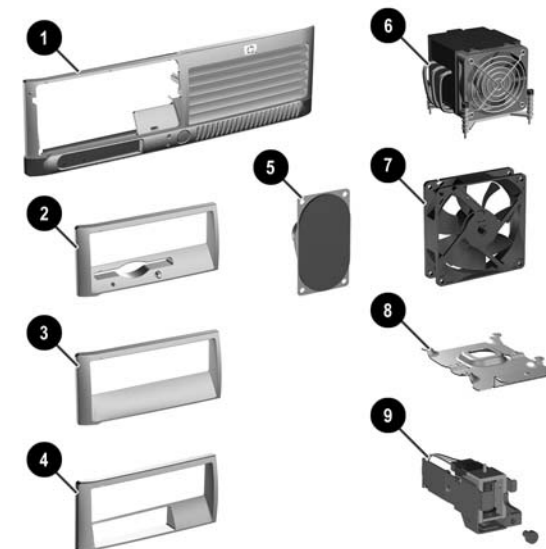
FH = Full height mounting bracket

Mass Storage Devices (not illustrated)

40 GB/7200 RPM SATA hard drive	365555-001
80 GB/7200 RPM SATA hard drive	345713-005
120 GB/7200 RPM SATA hard drive	365556-001
160 GB/7200 RPM SATA hard drive	345712-005
Diskette drive with mounting screws	333505-005
48X CD-ROM drive with mounting screws	326773-005
52X CD-ROM drive	333969-005
48X/32X/48X CD-RW	346788-005
48X/32X/48X +16X DVD/CD-RW	359493-005
8X DVD+R/RW	358688-005
16/40X DVD ROM Drive	325313-005
Zip 250 Drive with mounting bracket	333504-005
Zip 250 drive without mounting bracket	326772-005

MultiBay Components

MultiBay drive adapter	335805-005
Diskette drive, MultiBay	335169-005
24X CD-ROM MultiBay drive	325314-005
24X/24X/24X/8X CD-RW/DVD ROM MultiBay	346789-005
8X/24X DVD-ROM MultiBay drive	325316-005



Miscellaneous Parts

1	Front bezel assembly with no inserts	368086-001
1	Front bezel only, Blue Angel	378046-001
*	5.25" Bay bezel blank (carbonite)	335937-005
2	CD drive bezel with diskette drive	370501-001
2	CD drive bezel with diskette drive (Blue Angel)	374792-001
3	CD drive bezel without diskette drive	367852-001
4	CD drive bezel with Zip drive	370504-001
4	CD drive bezel with Zip drive (Blue Angel)	374793-001
5	Speaker with alcohol pad and thermal grease	368084-001
6	Heatsink with thermal grease and alcohol pad	367857-001
7	Chassis fan	366641-001
*	Heatsink duct baffle	375514-001
8	Heatsink retention plate with thumbscrew	370709-001
9	Solenoid lock with cable	367854-001
*	Hood sensor	267529-005
*	Mouse, 2-Button, PS/2 with scroll wheel	323614-005
*	Mouse, 2-Button, USB, optical with scroll wheel	323615-005
*	Mouse, 2-Button, USB, with scroll wheel	323617-005
*	Power switch holder with LED holders (use with 368387-001 switch)	370857-001
*	Drive Key, 16 MB	324780-005
*	Drive Key, 128 MB	349988-005
*	Drive Key, 256 MB	344249-005
*	Real-time-clock battery	153099-001
*	Expansion card retainer kit	377661-001
*	Port control cover	367856-001
*	Universal clamp lock without cable	335808-005
*	Universal clamp lock with cable	335809-005
*	Flying serial port with cable	370500-001

*Not shown

#The heatsink must be removed before removing the speake. Make sure the mating surfaces between the heatsink and the processor have been cleaned with the alcohol pad provided and fresh thermal grease has been applied when reinstalling the heatsink.

Miscellaneous Screw Kit (not illustrated)

Miscellaneous screw kit	337237-005
M3 x 5mm, hitop (263585-001) 4 ea	
#6-32 x .250, hitop (262508-001) 8 ea	
#6-32 x .250, pan head (101517-067) 3 ea	
#6-32 x .312, hitop (262508-002) 4 ea	
#6-19 x .312, pan head (101346-068) 2 ea	
#6-19 x .315, T15 head (331310-001) 2 ea	

See next page for keyboard spares

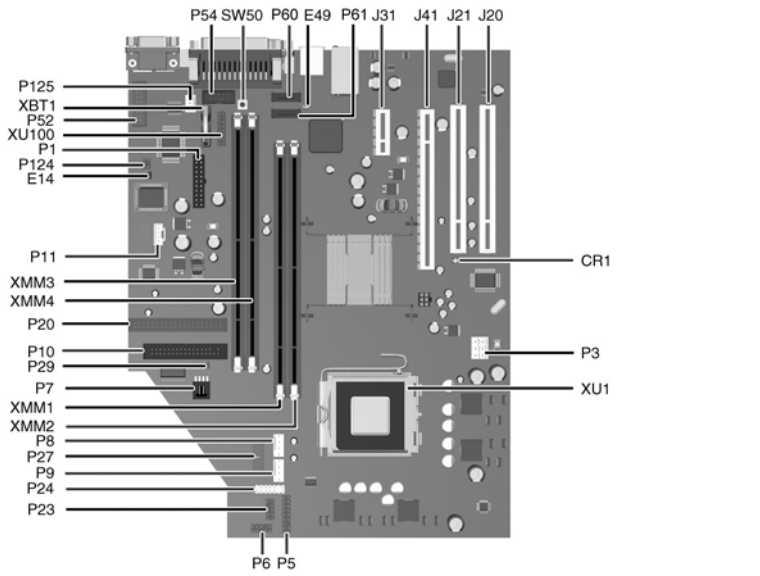
Keyboards (not illustrated)

PS/2, Basic		355630-xxx			
USB, Basic		355631-xxx			
USB, Modular		355102-xxx			
Arabic	-175	German	-045	Portuguese	-135
Belgian	-185	Greek	-155	Russian	-255
BHCSY	-B45	Hebrew	-BB5	Slovakian	-235
Brazilian Portuguese	-205	Hungarian	-215	Spanish	-075
Czech	-225	International**	-B35	Swedish	-105
Danish	-085	Italian	-065	Swiss	-115
Europe*	-025	Japanese	-295	Taiwanese	-AB5
Finnish	-355	Korean (Hanguel)	-KD5	Thai	-285
French	-055	LA Spanish	-165	Turkish	-145
French Arabic	-DE5	Norwegian	-095	U.S.	-005
French Canadian	-125	PRC	-AA5	U.K.	-035

* For 355102 only
**Not for 355102

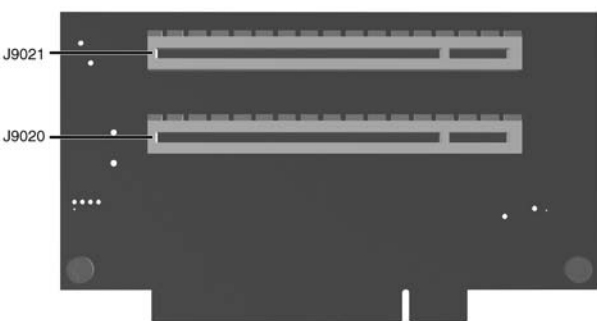
USB Basic Keyboard (not illustrated)

Europe, gray and carbonite (Blue Angel)	355632-B35
---	------------



System Board Connectors and Jumpers (position of some untitled components may vary in location)

CR1	5V Aux power	P24	USB connector, front panel
E14	Boot block	P27	Multi Bay
E49	Password jumper	P29	SCSI LED connector
J20	PCI slot 1	P52	Serial port "B"
J21	PCI slot 2	P54	Serial Port "A"
J31	PCI Express x1	P60	Primary Serial ATA (SATA) Port
J41	PCI Express x16	P61	Secondary Serial ATA (SATA) Port
P1	Main power (24 pin)	P124	Hood lock
P3	Processor VccP Power 12V (6 pin)	P125	Hood sensor
P5	Main power switch/LED	SW50	CMOS button
P6	Internal chassis speaker	XBT1	Battery
P7	CD audio in	XMM1	Memory socket
P8	Primary chassis fan	XMM2	Memory socket
P9	Secondary chassis fan	XMM3	Memory socket
P10	Diskette drive	XMM4	Memory socket
P11	Aux audio in	XU1	Microprocessor
P20	IDE	XU100	Security
P23	Front audio		



Riser Board Connectors

J9020	PCI connector	J9021	PCI connector
-------	---------------	-------	---------------

System Hardware Interrupts

IRQ	System Function	IRQ	System Function
0	Timer Interrupt	8	Real-Time Clock
1	Keyboard	9	Unused
2	Interrupt Controller Cascade	10	Unused, available for PCI
3	Serial Port (COM B)	11	Unused, available for PCI
4	Serial Port (COM A)	12	Mouse
5	Unused, available for PCI	13	Coprocessor
6	Diskette Drive	14	Primary ATA (IDE) Controller
7	Parallel Port (LPT 1)		

Computer Diagnostic LEDs (on front of computer)

LED	Color	LED/Beep Activity	State/Message
Power	Green	On	(S0) Computer on
Power	Green	1 blink every 2 seconds	(S1) Suspend Mode
Power	Green	1 blink every 2 seconds	(S3) Suspend to RAM
Power	Clear	Off	(S4) Hibernation
Power	Clear	Off	(S5) Computer off
Power	Red*	2 blinks 1 second apart	CPU thermal shutdown
Power	Red*	3 blinks 1 second apart	CPU not installed
Power	Red*	4 blinks 1 second apart	Power supply overload (crow bar)
Power	Red*	5 blinks 1 second apart	Defective or missing memory
Power	Red*	6 blinks 1 second apart	Defective or missing graphics
Power	Red*	7 blinks 1 second apart	System board failure (detected prior to video)
Power	Red*	8 blinks 1 second apart	Invalid ROM based on checksum
Power	Red*	9 blinks 1 second apart	System not fetching code
Power	Red*	10 blinks 1 second apart	System hang while loading an option ROM
Hard Drive	Green	Blinking	Hard drive activity

*Blinking codes are repeated after a 2 second pause. Beeps stop after fifth iteration but LEDs continue until problem is resolved.

Keyboard Diagnostic LEDs, PS/2 Keyboards Only

LED	Color	LED Activity	State/Message
Num, Caps, Scroll Lock	Green	On (Rising Tone)	ROM reflashed successfully
Num Lock	Green	On	ROMPaq diskette not present, is bad, or drive not ready.*
Caps Lock	Green	On	Enter password.
Num, Caps, Scroll Lock	Green	Blink On in sequence, one at a time - N, C, SL	Keyboard locked in network mode

* Insert valid ROMPaq diskette in drive A. Turn power switch off, then on to reflash ROM. If ROM flash is successful, all three keyboard LEDs will light up, and you will hear a rising tone series of beeps. Remove diskette and turn power off, then on to restart the computer. For more information about flashing the ROM, refer to the Troubleshooting guide.

Clearing CMOS

The computer's configuration (CMOS) may occasionally be corrupted. If it is, it is necessary to clear the CMOS memory using switch SW50.

To clear and reset the configuration, perform the following procedure:

1. Prepare the computer for disassembly.

CAUTION: The power cord must be disconnected from the power source before pushing the Clear CMOS Button (NOTE: All LEDs on the board should be OFF). Failure to do so may damage the system board

2. Remove the access panel.
3. Press the CMOS button located on the system board and keep it depressed for 5 seconds.
4. Replace the access panel.
5. Turn the computer on and run F10 Computer Setup (Setup-utility) to reconfigure the system.

Disabling or Clearing the Power-On and Setup Passwords

1. Turn off the computer and any external devices, and disconnect the power cord from the power outlet.
2. Remove the access panel.
3. Locate the header and jumper labeled E49.
4. Remove the jumper from pins 1 and 2. Place the jumper over pin 2 only, in order to avoid losing it.
5. Replace the access panel.
6. Plug in the computer and turn on power. Allow the operating system to start.
NOTE: Placing the jumper on pin 2 clears the current passwords and disables the password features.
7. To re-enable the password features, repeat steps 1-3, then replace the jumper on pins 1 and 2.
8. Repeat steps 5-6, then establish new passwords.

Refer to the Computer Setup (F10 Setup) instructions to establish new passwords.

Computer Setup (F10) Utility Features (not all features may be available)

File	System Information About Set Time and date	Replicated Setup Default Setup Apply Defaults and Exit	Ignore Changes and Exit Save Changes and Exit
Storage	Device Configuration Storage Options	DPS Self-Test Boot Order	
Security	Setup Password Power-On Password Password Options Smart Cover Embedded Security	Drivelock Security Data Execution Prevention Master Boot Record Security Save Master Boot Record Restore Master Boot Record	Device Security Network Service Boot System IDs
Power	OS Power Management	Hardware Power Management	Thermal
Advanced	Power-On Options BIOS Power On Onboard devices	PCI Devices Bus Options	Device Options PCI VGA Configuration

Free Manuals Download Website

<http://myh66.com>

<http://usermanuals.us>

<http://www.somanuals.com>

<http://www.4manuals.cc>

<http://www.manual-lib.com>

<http://www.404manual.com>

<http://www.luxmanual.com>

<http://aubethermostatmanual.com>

Golf course search by state

<http://golfingnear.com>

Email search by domain

<http://emailbydomain.com>

Auto manuals search

<http://auto.somanuals.com>

TV manuals search

<http://tv.somanuals.com>