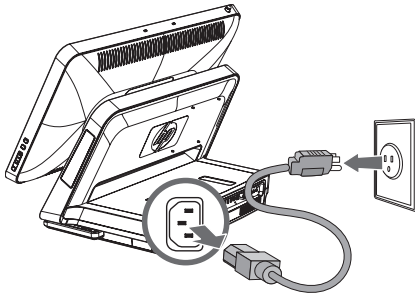


## BEFORE YOU BEGIN

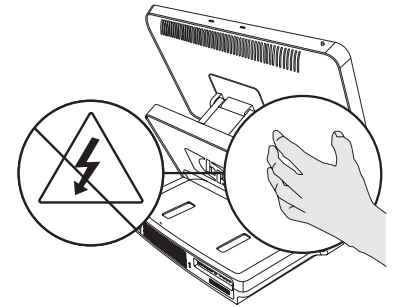
- 1** Unplug the computer.



- 2** Ground yourself.

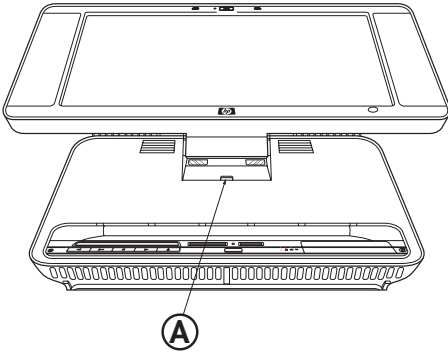
**Note:** Before doing any work inside your computer, ground yourself by touching a metal part of the computer frame.

**CAUTION:** This product contains components that are easily damaged by Electrostatic Discharge (ESD). To reduce the chance of ESD damage, work over a non-carpeted floor, use a static dissipative work surface (like a conductive foam pad), and wear an ESD wrist strap that is connected to a grounded surface, like the metal frame of the PC.

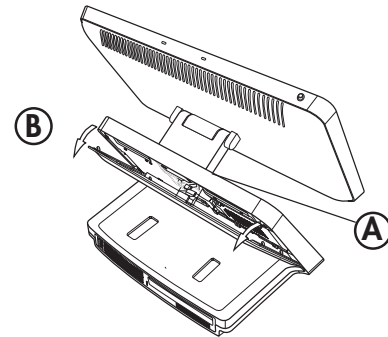


## HARD DISK DRIVE (For DVD, see page 2)

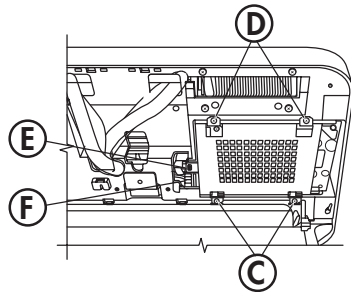
- 1** Raise the display (monitor) to see release lever (A).



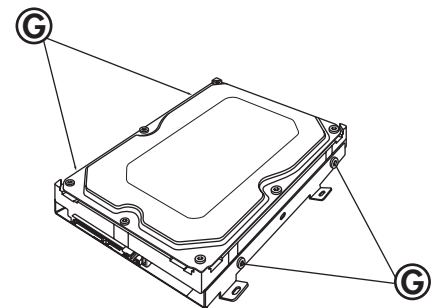
- 2** Holding down the lever (A), pull up the vertical cover (B), and remove it from the chassis.



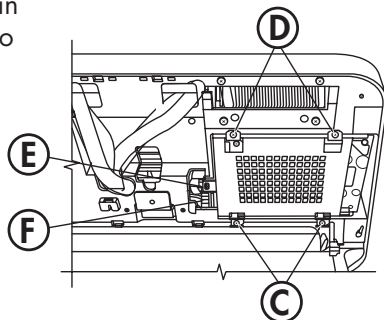
- 3** On the hard disk drive cage, loosen the two bottom screws (C) three turns, remove the two top screws (D), lift the cage up off the bottom screws, and then disconnect the power cable (E) and the data cable (squeeze the connector) (F).



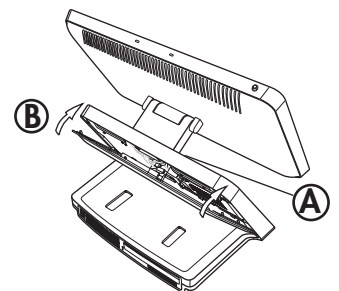
- 4** Remove the four screws (G) from the cage, and lift the hard disk drive from the cage. Place the new hard disk drive into the cage and insert the four screws.



- 5** Connect the power cable (E) and the data cable (F), place the hard disk drive cage over the two bottom screws (C) in the chassis, insert the two top screws (D), and then tighten all the screws.

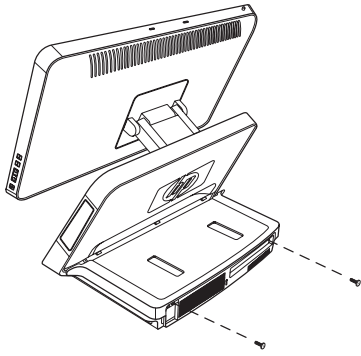


- 6** Align and insert the hooks on the vertical cover (B) into the holes on the back of the chassis, and reaching beneath the display, hold down the lever (A) while sliding the vertical cover down and into place. Release the lever.

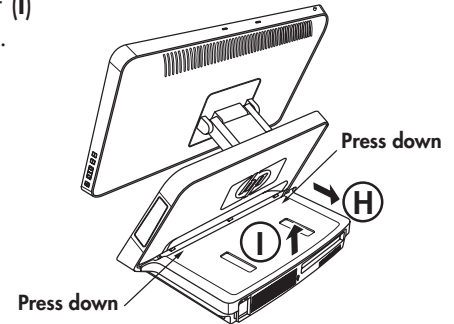


## DVD DRIVE (ODD)

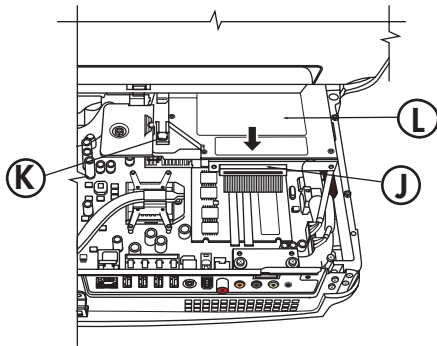
- 1** Remove the two screws from the horizontal cover.



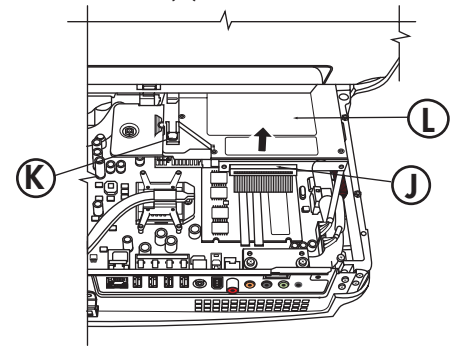
- 2** Press down on the horizontal cover (H) and pull it out about 1/2 inch (1.27 cm), and then lift the horizontal cover (I) from the chassis.



- 3** Remove the cable from the DVD drive (J), lift the tab (K) and slide the DVD drive (L) out of the chassis.

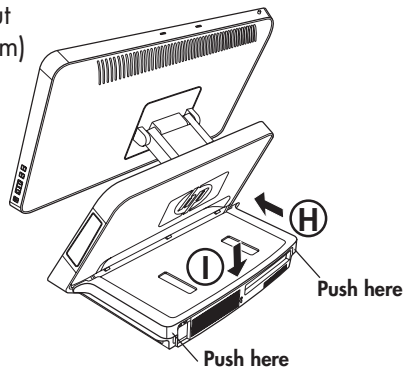


- 4** Insert the new DVD drive (L) into the chassis, slide the drive in until the tab (K) catches, and then reconnect the DVD drive cable (J).

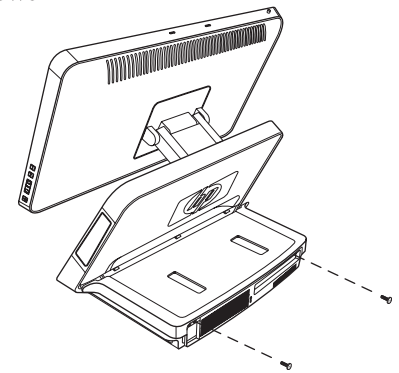


- 5** Place the horizontal cover (I) in position on the chassis with about 1/2 inch (1.27 cm)

gap, and then slide the horizontal cover (H) toward the front of the computer chassis to close the gap; the cover should fit flush with the connectors.



- 6** Insert the two screws and tighten them.



Copyright © 2007 Hewlett-Packard Development Company, L.P.

The information contained herein is subject to change without notice.

The only warranties for HP products and services are set forth in the express warranty statements accompanying such products and services. Nothing herein should be construed as constituting an additional warranty. HP shall not be liable for technical or editorial errors or omissions contained herein.

No part of this document may be photocopied, reproduced, or translated to another language without prior written consent of HP.



5 9 9 1 - 7 8 4 5

Printed in

## Free Manuals Download Website

<http://myh66.com>

<http://usermanuals.us>

<http://www.somanuals.com>

<http://www.4manuals.cc>

<http://www.manual-lib.com>

<http://www.404manual.com>

<http://www.luxmanual.com>

<http://aubethermostatmanual.com>

Golf course search by state

<http://golfingnear.com>

Email search by domain

<http://emailbydomain.com>

Auto manuals search

<http://auto.somanuals.com>

TV manuals search

<http://tv.somanuals.com>