

**service  
handbook  
chapter**

**hp vectra  
vl800  
desktop**

hp business pcs

[www.hp.com/go/vectrasupport](http://www.hp.com/go/vectrasupport)



**i n v e n t**

---

## notice

Information contained in this document is subject to change without notice.

**Hewlett-Packard makes no warranty of any kind with regard to this material, including, but not limited to, the implied warranties of merchantability and fitness for a particular purpose.** Hewlett-Packard shall not be liable for errors contained herein or for incidental or consequential damages in connection with the furnishing, performance, or use of this material.

Hewlett-Packard assumes no responsibility for the use or reliability of its software on equipment that is not furnished by Hewlett-Packard.

This document contains proprietary information that is protected by copyright. All rights are reserved. No part of this document may be photocopied, reproduced, or translated into another language without the prior written consent of Hewlett-Packard Company.

3Com<sup>®</sup> and EtherLink<sup>®</sup> are registered trademarks of 3Com Corporation.

NVIDIA<sup>™</sup>, GeForce2 GTS<sup>™</sup> and GeForce2 MX<sup>™</sup> are registered trademarks or trademarks of NVIDIA Corporation.

Matrox<sup>®</sup> is a registered trademark of Matrox Electronic Systems Ltd.

Microsoft<sup>®</sup>, Windows<sup>®</sup>, Windows NT<sup>®</sup> and MS-DOS<sup>®</sup> are registered trademarks of the Microsoft Corporation.

Pentium<sup>®</sup> and AGPset<sup>™</sup> are trademarks of Intel Corporation.

Rambus<sup>®</sup> and RDRAM<sup>®</sup> are registered trademarks of Rambus Inc.

Direct Rambus<sup>™</sup>, Direct RDRAM<sup>™</sup> and RIMM<sup>™</sup> are trademarks of Rambus Inc.

Sound Blaster<sup>®</sup> is a registered trademark of Creative Technology Limited.

© 2001 Hewlett-Packard Company

## contents

This chapter provides:

- Product model numbers
- Supported Accessories
- System Board, BIOS, and memory information
- Part numbers.

## replacement and exchange parts

The difference between a replacement and an exchange part is that when using an exchange part you should return the replaced part to HP.

Replacement and exchange parts listed in this manual are subject to change. However, updated part numbers are automatically cross-referenced to the old number. This means that you will receive the correct part using the numbers listed in this manual (even if the part's actual number has been updated).

## ordering parts

Contact your local HP Customer Care Center or an HP Authorized support provider to get parts. Diagnostic is required in both cases, prior to any shipments. For HP Customer Care Centers connect to [www.hp.com/go/vectrasupport](http://www.hp.com/go/vectrasupport) and select **contact hp**.

# HP Vectra v1800 Desktop PC

## Models and Accessories

Product Number <sup>1</sup>	Cache Memory	Std. RAM	Hard Drive	Video Controller	Multi-media	LAN
<b>HP Vectra v1800 PC</b> <b>HP Vectra v1800 1.4 GHz (CPL: 03/2001) ▶</b>						
<b>P3631A and P3631T</b>	Pentium 4 with 256KB cache memory	128 MB PC800 RDRAM non-ECC	20 GB Ultra ATA/100 7.2krpm	Matrox Millennium G450 16MB Dual	48X IDE CD-ROM	3COM PCI
<b>HP Vectra v1800 PC</b> <b>HP Vectra v1800 1.5 GHz (CPL: 03/2001) ▶</b>						
<b>P2074A and P2074T</b>	Pentium 4 with 256KB cache memory	128 MB PC800 RDRAM non-ECC	20 GB Ultra ATA/100 7.2krpm	Matrox Millennium G450 16MB Dual	48X IDE CD-ROM	3COM PCI
<b>P2075A and P2075T</b>	Pentium 4 with 256KB cache memory	256 MB PC800 RDRAM non-ECC	40 GB Ultra ATA/100 7.2krpm	nVIDIA GeForce2 GTS 32MB	12X40X IDE DVD-ROM	3COM PCI
<b>P2076A and P2076T</b>	Pentium 4 with 256KB cache memory	256 MB PC800 RDRAM non-ECC	18 GB U160 SCSI 10krpm	Matrox Millennium G450 16MB Dual	48X IDE CD-ROM	3COM PCI
<b>P2077A</b>	Pentium 4 with 256KB cache memory	512 MB PC800 RDRAM non-ECC	18 GB U160 SCSI 7.2krpm	Matrox Millennium G450 16MB Dual	8X4X32X IDE CD-Writer	3COM PCI
<i>All models are supplied with a 1.44 MB Floppy Disk Drive, an integrated IDE controller, and an integrated audio chip on the system board.</i>						

1. Unless otherwise mentioned, the operating system for the HP Vectra v1800 Desktop PC is Windows® 2000.

# HP Vectra v1800 Desktop PC

## Supported Accessories

### Memory Upgrades

2 x 128 MB kit, PC800 non-ECC RDRAM main memory	P2277A
2 x 256 MB kit, PC800 non-ECC RDRAM main memory	P2278A
2 x 512 MB kit, PC800 non-ECC RDRAM main memory	P2279A
2 x 64 MB kit, PC800 ECC RDRAM main memory	D9518A
2 x 128 MB kit, PC800 ECC RDRAM main memory	D9519A
2 x 256 MB kit, PC800 ECC RDRAM main memory	D9520A
2 x 512 MB kit, PC800 ECC RDRAM main memory	P2272A

### Mass Storage—Hard Disk Drives

40 GB Ultra ATA/100 hard disk, 7.2k rpm	P2813A
9.1 GB Ultra3 SCSI hard disk, 10k rpm	D8608B
18 GB Ultra3 SCSI hard disk, 10k rpm	D8609B

### Removable Mass Storage

48X max-speed IDE CD-ROM drive (single)	D9444A
48X max-speed IDE CD-ROM drive (pack of 10)	D9445A
12X40X max-speed (DVD read, CD-ROM read) IDE DVD-ROM drive	P1547A
8X4X32X max-speed (write, rewrite, read) IDE CD-Writer drive	P1982A
USB CD-Writer	C4504A
HP USB CompactFlash reader	P1977A

### Input Devices

HP multimedia keyboard	C4742B
HP USB smart card keyboard	C4764B
HP mouse with scrolling wheel	C4736B
HP USB optical mouse with scrolling wheel	C4766A
HP cordless scrolling mouse	C4740B
HP USB CompactFlash reader	P1977A
HP USB Web camera	P1978A

### LAN Interfaces

HP 3COM FastEtherlink XL 3C905C-TX PCI NIC <sup>1</sup> (single)	D7522B
HP 3COM FastEtherlink XL 3C905C-TX PCI NIC <sup>1</sup> (pack of 10)	D7523B
HP 802.11b Wireless LAN access point for corporations	F2135A
HP 802.11b Wireless LAN PCI card	F2137A
HP 802.11b Wireless LAN USB	P1980A
HP 802.11b Wireless LAN access point for small business	P1981A



## HP Vectra v1800 Desktop PC

### Audio

HP Standard headset	D8387A
HP External amplified speakers (9.6 WRMS)	P1534A

### Interface Cards

HP Ultra 160 SCSI adapter	P1969A
---------------------------	--------

### Modems

HP 56K V90 external USB e-Modem	P1979A
HP 56K V90 PCI internal modem	D7519A

### Graphics Cards

Matrox Millennium G450 dual 16MB graphics card	D7518A
nVidia GeForce2 GTS 32MB graphics card	P1971A

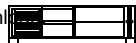
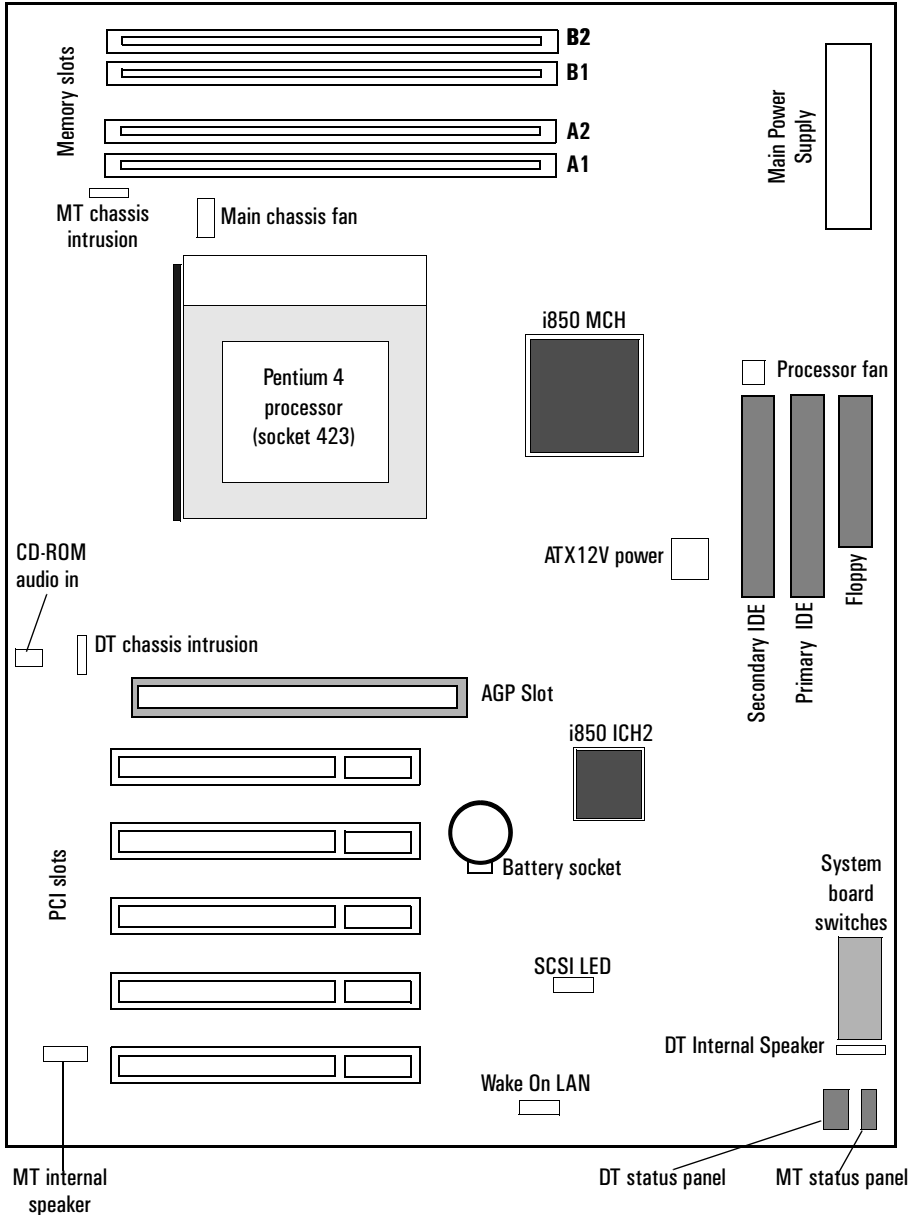
### Security

HP Kensington™ lock security cable	F1645A
HP Spare master pass key	D6658B
HP Master pass key system kit	D6655C
HP Kit of 50 locks for master pass key	D9528A
HP ProtectTools 2000 smart card kit	D8436B

1. NIC = Network Internet Connector

# HP Vectra v1800 Desktop PC

## System Board Connectors, BIOS, and Memory



## System Board Switches

Switch	Default	Function
<b>1</b>	<b>OFF</b>	Reserved 1-5. <b>Do Not Change Default Settings.</b>
<b>2</b>	<b>OFF</b>	
<b>3</b>	<b>OFF</b>	
<b>4</b>	<b>OFF</b>	
<b>5</b>	<b>OFF</b>	
<b>6</b>		Disables keyboard power-on
	<b>ON</b>	<b>Enables keyboard power-on</b>
<b>7</b>	<b>OFF</b>	<b>Enables normal mode</b>
		Enables the BIOS recovery mode at next boot
<b>8</b>	<b>OFF</b>	<b>Retains CMOS memory</b>
		Clears CMOS memory at next boot.
<b>9</b>	<b>OFF</b>	<b>Enables User and System Administrator passwords</b>
		Clears the passwords at next boot
<b>10</b>	<b>OFF</b>	

## BIOS History

For the latest BIOS, the flasher utility program, and the BIOS history refer to the HP World Wide Web site. The BIOS is in the form IQ.01.yy.zz

yy= BIOS version number

zz = is the selected language to be downloaded

<http://www.hp.com/go/vectrasupport>

## Main Memory

The HP Vectra v1800 has two pairs of memory sockets for installing either two or four RAMBUS Direct RAM (RDRAM) memory modules.

Each pair of memory sockets must contain identical memory modules (identical in size, speed and type). That is, sockets **A1** and **B1** must contain identical modules, and sockets **A2** and **B2** must contain identical modules (or continuity modules).

If only two RDRAM modules are installed, use the sockets marked **A1** and **B1**. The other two sockets (**A2** and **B2**) must contain continuity modules.

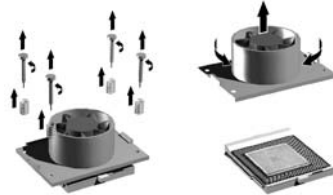
## HP Vectra v1800 Desktop PC

### Replacing the Heatsink Thermal Interface

Follow these instructions when replacing the heatsink, processor or system board.

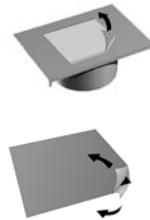
#### Removing the Heatsink

- 1 Remove the screws.
- 2 Remove the heatsink by twisting and lifting it.



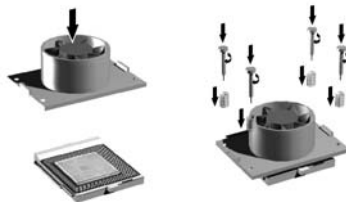
#### Replacing the Thermal Interface

- 3 Carefully remove all old thermal bonding material from the processor and the underside of the heatsink.
- 4 Remove the two paper protectors from the thermal interface material then affix it to the top of the processor.



#### Reattaching the Heatsink

- 5 Attach the heatsink to the processor.
- 6 Secure the heatsink using the springs and screws.

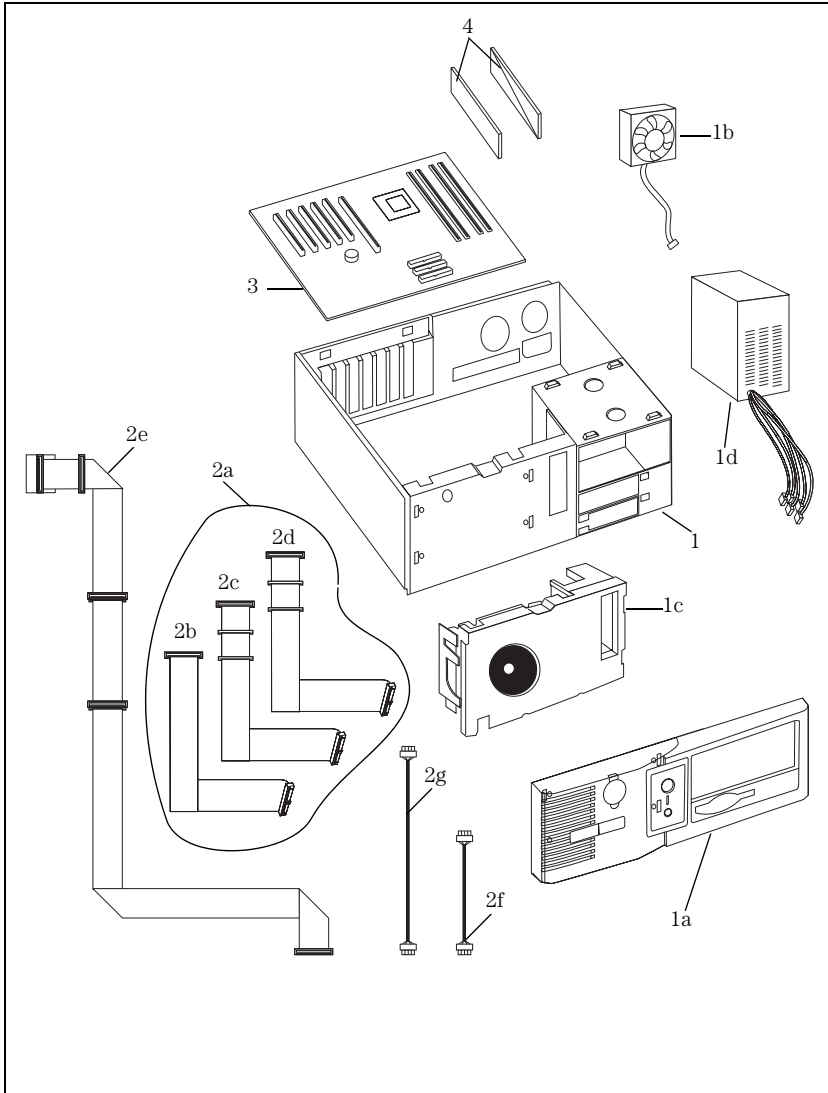


1





# Parts and Part Numbers



# HP Vectra v1800 Desktop PC

## Parts List

Item	Description	Replacement Part Number	Exchange Part Number
1	Chassis assembly for v1800 Desktop: a Front Bezel assembly (includes status panel) b Fan assembly c Hard disk drive bay and speaker assembly d Power supply unit 320W non PFC Power supply unit PFC  <i>Not shown in graphic:-</i>  Support kit (DT), including: <ul style="list-style-type: none"> <li>• anti-intrusion switch</li> <li>• system board fixing bar and screw</li> <li>• hard disk drive screws (long)</li> <li>• 5 ¼-inch filler panel</li> <li>• 3½-inch filler panel</li> <li>• 3½-inch floppy panel</li> <li>• logo</li> </ul> Cover lock assembly 6x32 screws for power supply Floppy disk drive (1.44)	5065-4235  5065-4233  5065-0424 5065-0427  0950-3959 0950-3974     5065-0425     5064-2645 2360-0565 D2035-60293	—  —  — —  — — —
2	Cables: a IDE cable kit (FDD, HDD, CD-ROM) b FDD IDE cable c HDD IDE cable d CD-ROM IDE cable e SCSI cable, U160, 3-point f SCSI LED cable for U160 SCSI card g CD-ROM audio cable (standard) CD-ROM audio cable for Sound Blaster	5064-9774 5183-9416 5183-9417 5184-3874 5184-3867 5184-3868 5182-1857 5184-4907	— — — — — — —
3	System board: Manufacturing Part Number P2074-60001/2 Manufacturing Part Number P2074-60003/4	P2074-63001 P2074-63003	P2074-69001 P2074-69003
4	RDRAM Continuity Module	D8660-63001	—



# HP Vectra v1800 Desktop PC

## Parts List

Item	Description	Replacement Part Number	Exchange Part Number
Available Parts that are not shown in the graphic on page 10.			
	Ultra160 SCSI card (Symbios 8955U)	5184-3856	—
	Internal SCSI wide to narrow converter	5184-3872	—
	Standard hard disk drives <sup>1</sup>		
	20 GB IDE Ultra ATA/100 7.2k rpm		
	IBM Telesto LP	P1640-63001	P1640-69001
	Maxtor Rigel	P2833-63001	P2833-69001
	40 GB IDE Ultra ATA/100 7.2k rpm		
	IBM Telesto LP	P1641-63001	P1641-69001
	Maxtor Rigel	P3624-63001	P3624-69101
	60 GB IDE Ultra ATA/100 7.2k rpm		
	Maxtor Rigel	P3726-63001	P3726-69001
	9 GB SCSI U160 10k rpm	P1575-63001	P1575-63001
	18 GB SCSI U160 10k rpm	P1576-63001	P1576-69001
	36 GB SCSI U160 10k rpm	P1577-63001	P1577-69001
	Optical drives:		
	CD-ROM 48X IDE drive	D4389-60081	D4389-63081
	DVD-ROM 12X IDE drive	D4388-61004	D4388-69004
	CD-Writer 8X4X24X IDE drive	D4398-63051	D4398-69051
	ZIP Drive 100 MB	D9794-63001	—
	Graphics cards & cables:		
	Matrox Millennium G450 AGP 16MB Dual	5065-3897	P2062-69501
	nVidia GeForce2 GTS AGP 32MB	5065-2543	P1546-69001
	nVidia GeForce2 MX AGP	5065-4231	P2075-69501
	DVI-VGA converter for nVidia GeForce2MX	5184-3854	—
	Appian Jeronimo™ Pro Quad P2A VI	5065-4208	—
	Cable P2A P2V for Jeronimo™ Pro	5184-3831	—
	Sound Blaster Live audio card	5065-4246	—
	PCI Modem Kit:		
	For USA	D7519-60001	—
	For Europe	D7519-60002	—
	Intel LAN card	5065-1210	—
	3COM LAN card 3C905	5064-7429	—

# HP Vectra v1800 Desktop PC

## Parts List

Item	Description	Replacement Part Number	Exchange Part Number
	Input Devices:		
	Cordless mouse	C4740-63001	—
	USB & PS2 Optical wheel mouse	C4767-60001	—
	Enhanced mouse with scroll/zoom wheel	C4736-60101	—
	Multimedia keyboard	C4742-601xx	—
	Standard keyboard	C4393-601xx	—
	Audio headset	5183-9500	—
	Power cord	8120-xxxx	—
	CR2032 battery (3V)	1420-0356	—
	Screws 6x32	2680-0311	—

1. For optional disk drive information, refer to the *Accessory Service Handbook*.

## System Board Parts List

Description	Repl. Part Number	Exchange Part Number
<b>Processors (Socket):</b>		
Intel Pentium 4, 1.3 GHz	P2135-63001	P2135-69001
Intel Pentium 4, 1.4 GHz	P2136-63001	P2136-69001
Intel Pentium 4, 1.5 GHz	P2137-63001	P2137-69001
Intel Pentium 4, 1.7 GHz	P2138-63001	P2138-69001
Pentium 4 heatsink	P2136-63101	—
Pentium 4 heatsink springs & screws kit	5065-4230	—
Pentium 4 thermal interface	P2136-65001	—
<b>Main memory modules</b>		
2 x 64 MB kit, PC800 non-ECC RDRAM	P2144-63001	P2144-69001
2 x 128 MB kit, PC800 non-ECC RDRAM	P2145-63001	P2145-69001
2 x 256 MB kit, PC800 non-ECC RDRAM	P2146-63001	P2146-69001
2 x 512 MB kit, PC800 non-ECC RDRAM	P2147-63001	P2147-69001
2 x 64 MB kit, PC800 ECC RDRAM	D9518-63010	D9518-69001
2 x 128 MB kit, PC800 ECC RDRAM	D9519-63010	D9519-69001
2 x 256 MB kit, PC800 ECC RDRAM	D9520-63010	D9520-69001
2 x 512 MB kit, PC800 ECC RDRAM	P2143-63001	P2143-69001



# HP Vectra v1800 Desktop PC

## Manuals and Documentation

Description	Available
<i>Quick User's Guide</i> (Minitower and Desktop)	Paper document and electronic file
<i>Desktop User's Guide</i>	electronic file only
<i>Desktop Troubleshooting Guide</i>	electronic file only
<i>Technical Reference Manual</i> (Minitower and Desktop)	electronic file only
Online documentation (electronic files) can be downloaded from: <a href="http://www.hp.com/go/vectrasupport">www.hp.com/go/vectrasupport</a>	

## Software

Description	Repl. Part Number	Exchange Part Number
<i>Image Creation and Recovery CD-ROM for Windows NT and Windows 2000</i>	5970-0451-xx <sup>1</sup>	—
<i>Image Creation and Recovery CD-ROM for Windows NT and Windows 2000 - Spanish</i>	5970-0452-SP	—

1. xx = Language code except Spanish



## Free Manuals Download Website

<http://myh66.com>

<http://usermanuals.us>

<http://www.somanuals.com>

<http://www.4manuals.cc>

<http://www.manual-lib.com>

<http://www.404manual.com>

<http://www.luxmanual.com>

<http://aubethermostatmanual.com>

Golf course search by state

<http://golfingnear.com>

Email search by domain

<http://emailbydomain.com>

Auto manuals search

<http://auto.somanuals.com>

TV manuals search

<http://tv.somanuals.com>