



**HEWLETT
PACKARD**

Expanding Possibilities



User's Guide

English

HP 2000C

Professional Series
Color Printer



HP REALLIFE
IMAGING SYSTEM



Hewlett-Packard Limited Warranty Statement

HP Product	Duration of Limited Warranty
Software	90 Days
Ink Cartridges	90 Days
Printheads	1 Year
Printer and Related HP Hardware	1 Year

A. Extent of Limited Warranty

1. Hewlett-Packard (HP) warrants to the end-user customer that the HP products specified above will be free from defects in materials and workmanship for the duration specified above, which duration begins on the date of purchase by the customer. Customer is responsible for maintaining proof of date of purchase.
2. For software products, HP's limited warranty applies only to a failure to execute programming instructions. HP does not warrant that the operation of any product will be uninterrupted or error free.
3. HP's limited warranty covers only those defects which arise as a result of normal use of the product, and do not apply to any:
 - a. Improper or inadequate maintenance or modification;
 - b. Software, interfacing, media, parts, or supplies not provided or supported by HP; or
 - c. Operation outside the product's specifications.
4. For HP printer products, the use of a non-HP ink cartridge or a refilled ink cartridge does not affect either the warranty to the customer or any HP support contract with the customer. However, if printer failure or damage is attributable to the use of a non-HP or refilled ink cartridge, HP will charge its standard time and materials charges to service the printer for the particular failure or damage.
5. If HP receives, during the applicable warranty period, notice of a defect in any software, media, or ink cartridge product which is covered by HP's warranty, HP shall replace the defective product. If HP receives, during the applicable warranty period, notice of a defect in any hardware product which is covered by HP's warranty, HP shall either repair or replace the defective product, at HP's option.
6. If HP is unable to repair or replace, as applicable, a defective product which is covered by HP's warranty, HP shall, within a reasonable time after being notified of the defect, refund the purchase price for the product.
7. HP shall have no obligation to repair, replace, or refund until the customer returns the defective product to HP.
8. Any replacement product may be either new or like-new, provided that it has functionality at least equal to that of the product being replaced.
9. HP's limited warranty is valid in any country where the covered HP product is distributed by HP except for the Middle-East, Africa, Argentina, Brazil, Mexico, Venezuela, and France's "Départements D'Outre-Mer"; for those excepted areas, the warranty is valid only in the country of purchase. Contracts for additional warranty services, such as on-site service, may be available for any authorized HP service facility where the listed HP product is distributed by HP or an authorized importer.

B. Limitations of Warranty

1. TO THE EXTENT ALLOWED BY LOCAL LAW, NEITHER HP NOR ITS THIRD PARTY SUPPLIERS MAKE ANY OTHER WARRANTY OR CONDITION OF ANY KIND, WHETHER EXPRESS OR IMPLIED, WITH RESPECT TO THE HP PRODUCTS, AND SPECIFICALLY DISCLAIM THE IMPLIED WARRANTIES OR CONDITIONS OF MERCHANTABILITY, SATISFACTORY QUALITY, AND FITNESS FOR A PARTICULAR PURPOSE.

C. Limitations of Liability

1. To the extent allowed by local law, the remedies provided in this Warranty Statement are the customer's sole and exclusive remedies.
2. TO THE EXTENT ALLOWED BY LOCAL LAW, EXCEPT FOR THE OBLIGATIONS SPECIFICALLY SET FORTH IN THIS WARRANTY STATEMENT, IN NO EVENT SHALL HP OR ITS THIRD PARTY SUPPLIERS BE LIABLE FOR DIRECT, INDIRECT, SPECIAL, INCIDENTAL, OR CONSEQUENTIAL DAMAGES, WHETHER BASED ON CONTRACT, TORT, OR ANY OTHER LEGAL THEORY AND WHETHER ADVISED OF THE POSSIBILITY OF SUCH DAMAGES.

D. Local Law

1. This Warranty Statement gives the customer specific legal rights. The customer may also have other rights which vary from state to state in the United States, from province to province in Canada, and from country to country elsewhere in the world.
2. To the extent that this Warranty Statement is inconsistent with local law, this Warranty Statement shall be deemed modified to be consistent with such local law. Under such local law, certain disclaimers and limitations of this Warranty Statement may not apply to the customer. For example, some states in the United States, as well as some governments outside the United States (including provinces in Canada), may:
 - a. Preclude the disclaimers and limitations in this Warranty Statement from limiting the statutory rights of a consumer (e.g. the United Kingdom);
 - b. Otherwise restrict the ability of a manufacturer to enforce such disclaimers or limitations; or
 - c. Grant the customer additional warranty rights, specify the duration of implied warranties which the manufacturer cannot disclaim, or not allow limitations on the duration of implied warranties.
3. FOR CONSUMER TRANSACTIONS IN AUSTRALIA AND NEW ZEALAND, THE TERMS IN THIS WARRANTY STATEMENT, EXCEPT TO THE EXTENT LAWFULLY PERMITTED, DO NOT EXCLUDE, RESTRICT, OR MODIFY, AND ARE IN ADDITION TO, THE MANDATORY STATUTORY RIGHTS APPLICABLE TO THE SALE OF HP PRODUCTS TO SUCH CUSTOMERS.



User's Guide

English

HP 2000C Professional Series Color Printer

User's Guide Number C4530-90019

Printed in U.S.A. 1/98

Acknowledgments

Arial®, Gill Sans®, Monotype®, and Times® are U.S. registered trademarks of The Monotype Corporation.

CG Times is a product of Agfa Corporation based on Times New Roman under license from The Monotype Corporation plc., and scalable outlines are licensed from Agfa Division of Miles, Inc.

Graphite™ is a trademark of David Siegel.

ITC Bookman® is under license from and a registered trademark of International Typeface Corporation.

Lucida® is a U.S. registered trademark of Bigelow & Holmes, Inc.

Microsoft® is a U.S. registered trademark of Microsoft Corporation.

Milestones™ is a trademark of The Monotype Corporation.

PL™ is a trademark of Photolettering Inc.

TrueType™ is a U.S. trademark of Apple Computer, Inc.

Windows® is a registered trademark of Microsoft Corporation in the U.S. and other countries.

Notice

The information contained in this document is subject to change without notice.

Hewlett-Packard makes no warranty of any kind with regard to this material, including, but not limited to, the implied warranties of merchantability and fitness for a particular purpose.

Hewlett-Packard shall not be liable for errors contained herein or for incidental or consequential damages in connection with the furnishing, performance, or use of this material.

No part of this document may be photocopied, reproduced, or translated to another language without the prior written consent of Hewlett-Packard Company.

Printing History

Edition 1, 1998

© Copyright 1998 by Hewlett-Packard Company

Getting Started

See the HP 2000C Setup Poster for instructions on setting up your printer.

Section 1 – Printing Basics

The Printer's Key Features	3
Understanding the Printer's Parts and Functions	6
Using Your Printer Driver Software	11
Selecting and Using Paper	17
Monitoring and Replacing Ink Cartridges	25
Maintaining and Replacing Printheads	29
Using Your Printer on a Network	35

Section 2 – Problem Solving and Maintenance

Troubleshooting Printing Problems	37
---	----

Section 3 – Support

Customer Support	41
Ordering Parts and Accessories	47

Section 4 – Specifications

Specifications	51
Regulatory Notice	55

The Printer's Key Features

HP's Fastest Color InkJet Printer

The HP 2000C Professional Series Color Printer delivers professional-quality documents and presentations faster than any color printer in its class.

HP's Fastest Color InkJet Printer

- Prints black text up to 10 pages per minute.
- Prints color at twice the speed of other HP desktop printers.

Brilliant, Photo-quality Color on any Paper with HP's PhotoREt II and ColorSmart II Technology

- PhotoREt II uses the smallest ink drop size to create more shades of color, smoother transitions between tones, and crisper-looking output.
- ColorSmart II technology automatically optimizes print settings and color output quality for all types of documents.



Smart Printing Saves You Time and Money

- The HP smart printing system provides status on ink levels, maximizes printing speed, controls and monitors print quality, and automatically senses transparencies.
- The HP 2000C is network-ready for small work groups.
- The optional HP 2000C Professional Series Accessory Paper Tray holds higher volumes of paper and expands the printer's paper capacity to 400 sheets for larger print jobs. With two media sources (IN tray and accessory paper tray), you can have access to two different media types at the same time. (See "Ordering Parts and Accessories" in this User's Guide for part numbers and ordering information).

The Printer's Key Features

Consistent Black and Color Print Quality with HP Printing Supplies

Consistent Black and Color Print Quality with HP Printing Supplies

HP printers, printheads, and ink cartridges are all part of the HP RealLife Imaging System – designed to work together to deliver professional print quality at exceptional speeds for results that are always clear, always sharp. The HP RealLife Imaging System gives you:

- clear, crisp black text and sharp, vivid color on any kind of paper.
- photo-perfect color images on HP special papers and film.
- a modular ink delivery system, featuring separate ink cartridges and printheads, which provides consistently superior print quality and a lower cost per page.



Ink Cartridges

Each HP No. 10 Ink Cartridge is a self-contained, plug-in ink supply, separate from the printhead. The four ink cartridges never need maintenance, and are individually replaceable, so no ink is wasted. Black ink cartridges are also available in a large size (74 ml) to give you even greater value.

Built-in smart chips on all ink cartridges enable the printer to alert you when ink levels are low.

The Printer's Key Features

Consistent Black and Color Print Quality with HP Printing Supplies

Printheads

Each HP No. 10 Printhead is a sophisticated ink delivery device, based on HP's industry-leading inkjet technology. The four individually replaceable printheads are engineered to last through many ink cartridges, and will continue to provide excellent printing results even when ink levels are low.

Built-in smart chips on all printheads fine-tune ink drop size and volume, for exceptionally refined print quality on all types of papers.

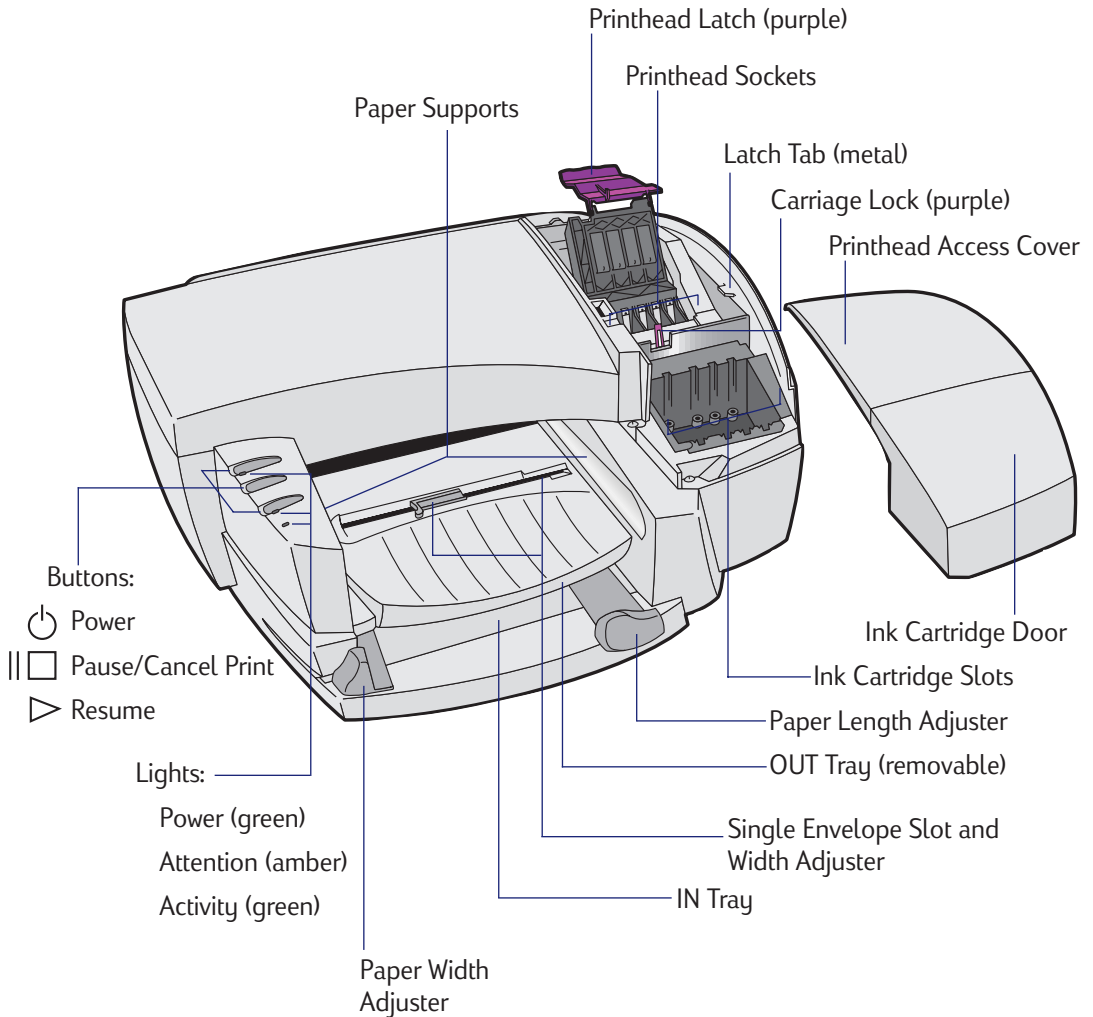


NOTE:

Your HP selection number takes the guesswork out of replacing HP ink cartridges and printheads. Your printer will alert you when you need to replace an ink cartridge; just remember what color ink you need, and look for HP No. 10 to match your HP printing supplies automatically with your HP 2000C printer.

Understanding the Printer's Parts and Functions

Printer Parts and Functions



Understanding the Printer's Parts and Functions

Printer Parts and Functions

OUT Tray	Receives paper as it comes out of the printer. The OUT tray can be repositioned to improve access to the IN tray, or it can be removed for maintenance tasks.
Single Envelope Slot	Holds a single envelope for feeding into the printer.
Envelope Width Adjuster	Slides to fit the width of the envelope.
Paper Supports	Support each printed page briefly, as it dries.
IN Tray	Holds stacks of paper, envelopes, or transparencies.
Paper Length Adjuster	Slides left and right, out and in to fit the length of the paper in the IN tray.
Paper Width Adjuster	Slides to fit the width of the paper in the IN tray.
Ink Cartridge Door	Protects and provides access to the ink cartridges.
Ink Cartridge Slots	Hold the black and color ink cartridges.
Printhead Access Cover	Provides access to the printhead carriage. The printhead access cover must be closed for the printer to operate.
Printhead Carriage	Holds the black and color printheads in the printhead sockets.
Printhead Sockets	Hold the black and color printheads.
Printhead Latch (purple)	Protects the printheads, which rest in the printhead sockets under the latch. The printhead latch includes a hook that catches on the carriage lock.
Carriage Lock (purple)	Locks the printhead latch. The hook must be engaged in the lock for the printhead carriage to be able to move.
Latch Tab (metal)	Prevents the printhead latch from being opened when the printer is not turned on.

Understanding the Printer's Parts and Functions

Printer Parts and Functions

Printer Parts

Power  **Button**

Pause/Cancel Print  **Button**

Resume  **Button**

Functions

Press once to turn the printer on and off. Also used to print a Sample page or Diagnostic Test page (see next page).

Press once to pause printing.

Press once to start printing (when printing has been paused).

Press twice in rapid succession to cancel current print job.

Press once to resume printing after an Attention condition occurs (such as out of paper or printhead access cover open).

Also used to print a Diagnostic Test page (see next page).

Printer Lights

Power Light (green)

Indications

Off indicates the printer is turned off or not receiving power.

On indicates the printer is turned on and ready to print.

Blinking indicates the printer is powering on or off.

Attention Light (amber)

Off indicates normal printer operation.

Blinking indicates a condition that requires operator intervention (such as out of paper or printer is paused). See the Troubleshooting tab in the HP 2000C Toolbox for details on diagnosing the condition.

Activity Light (green)

Off indicates the printer is idle (waiting for a print job).

Blinking indicates the printer is processing a print job.



Understanding the Printer's Parts and Functions

Printing a Sample Page or Diagnostic Test Page Using the Printer Buttons




Printing a Sample Page or Diagnostic Test Page Using the Printer Buttons

A Sample page is a page that demonstrates black and colored text, and graphics. The Diagnostic Test page includes information on the printer, built-in fonts, printheads, and ink cartridges.

To print a Sample page

- 1 With the printer on (power light on), press and hold down the power  button for 5 seconds, or until the page begins to print.
- 2 Release the power  button.

To print a Diagnostic Test page

- 1 With the printer on (power light on), press and hold down the power  button.
- 2 Press the resume  button 5 times.
- 3 Release the power  button.

The printer software that comes with your HP 2000C printer makes printing from Windows-based programs faster and easier than ever. This section is an overview of the components and functions of your printer software.

Printer Software Components

The printer software includes the HP 2000C printer driver and the HP 2000C Toolbox. These two components work together to provide:

- status, attention, and error messages indicating the current state of the printer, ink cartridges, and printheads.
- tutorials for basic printing tasks.
- step-by-step troubleshooting.
- access to printer services to maintain printer performance.

The HP 2000C printer software features HP's exclusive ColorSmart II technology that analyzes your documents and automatically adjusts the color settings to produce the best possible color output.

ColorSmart II technology also provides:

- enhanced Internet and multimedia printing that produces high-resolution images from lower-resolution screen images.
- sRGB color matching for consistent color output from screen to page.
- MMX compatibility for faster color processing.



Selecting Your Printer

To use your HP 2000C printer, make sure it is selected as the default printer.

To select your printer as the default printer—Windows 95 and Windows NT 4.0

- 1 Click **Start**, and then select **Printers** from the **Settings** menu.
- 2 Click the icon for your HP 2000C printer to select it.
- 3 From the **File** menu, select **Set As Default**, then close the window.

To select your printer as the default printer—Windows 3.1

- 1 In the **Program Manager**, open the **Main** program group.
- 2 Double-click **Control Panel** to open it, then double-click **Printers**.
- 3 Select your HP 2000C printer from the **Installed Printers** list, and then click **Set As Default Printer**.
- 4 Click **Close** and exit the **Control Panel**.

Using the HP 2000C Toolbox

The HP 2000C Toolbox is a software utility that provides access to all the information you'll need when using your printer. Information is divided into four main categories:

- **Printer Status** – Provides information about the current working status of the printer and ink levels.
- **How Do I?** – Contains tutorials for basic printer tasks, such as replacing ink cartridges and printheads, or printing on a variety of paper types and sizes.
- **Troubleshooting** – Provides step-by-step problem solving for common printing problems.
- **Services** – Provides access to printer services, which include aligning and cleaning the printheads, printing a Diagnostic Test page, testing printer communication, balancing color, and printing a page showing current ink levels.

To use the HP 2000C Toolbox, make sure the printer and computer are on. Always turn the printer on first.

To open the HP 2000C Toolbox – Windows 95 and Windows NT 4.0

- Double-click the HP 2000C Toolbox icon in the bottom-right corner of the Windows Taskbar.



Or

- From the **Start** menu, choose **Programs**. Then, choose **HP 2000C Utilities**, then **HP 2000C Toolbox**.

To open the HP 2000C Toolbox – Windows 3.1

- Double-click the HP 2000C Toolbox icon in the **HP 2000C Utilities Program Group**.

Changing Print Settings

The basic print settings you will need are usually selected within your software program. These settings include the number of copies, paper size, and page orientation. To get to HP's Print Settings dialog box, see the topic "Change Print Settings" on the How Do I? tab in the HP 2000C Toolbox.

Selecting Custom HP Print Settings

HP's Print Settings dialog box allows you to select settings that are not provided by the software program.

The Setup tab contains the following options:

- **Print Quality** – Use to select the level of print quality (Best, Normal, and EconoFast).
- **Paper Size** – Use to select the size of paper you have loaded in your printer.
- **Paper Type** – Use to select the setting that matches the type of paper or media that you are printing on, such as plain paper, transparencies, or special HP papers.
- **Paper Source** – Use to select between the IN tray and the optional accessory paper tray as the paper source, or to choose which source is used first when both trays are used for a print job.

The Features tab contains the following options:

- **Two-sided Printing** – Use to print on both sides of the paper.
- **Pages Per Sheet** – Use to print 1, 2, or 4 pages on each sheet of paper.
- **Poster Printing** – Use to print a single-page document onto 4, 9, or 16 sheets of paper, which can be pasted together to form one poster-size document.

- Orientation – Use to select the direction in which information is printed on a page. *Portrait* prints across the width of the page, letter style. *Landscape* prints across the length of the page, spreadsheet style.
- Ordered Printing – Use to print the pages of your document in reverse order (last page first).
- Copies – Use to select the number of copies you wish to print.

The Color tab contains the following options:

- Automatic – Select this option to allow ColorSmart II technology to provide the best print quality and intensity settings for every individual area on the printed page. This is the recommended setting for all documents.
- Manual – Use to manually adjust the intensity settings for the whole document.
- Print in Grayscale – Use to print color documents in shades of gray for better photocopying results.

The Services tab contains the following options:

- Align the Printheads – The HP 2000C printer automatically aligns the printheads to continually provide the best print quality. **Do not use this option unless directed by a specific troubleshooting procedure.**
- Clean the Printheads – Select this option when print quality has noticeably decreased, or when troubleshooting instructions recommend doing so.
- Print a Test Page – Select this option to verify that the printer is working properly, and that the printer connection meets minimum standards.
- Test Printer Communication – Select this option to test the communication status between the printer and computer.
- Calibrate Color – Use to balance printed color tints. **Do not perform a color calibration unless directed by a specific troubleshooting procedure.**

The HP 2000C printer works well with most plain photocopy paper, postcards, index cards, transparencies, envelopes, and labels, and will print on 100% recycled papers that comply with DIN 19 309. For best results, use HP Premium and Deluxe papers and transparencies.

Paper Recommendations

Your HP 2000C printer is designed to work well on most common office paper types and with quality 25% cotton bond paper. Because your printer uses ink to produce an image, paper that accepts ink well produces the best results.

It is best to test a variety of paper types before buying large quantities. Find a paper type that works well and is easy to purchase. HP Premium papers are designed for the best-quality results.

Tips for Selecting Paper

- Always use paper that conforms with those listed under “Recommended Media Weight and Sizes,” near the end of the Printer Specifications section of this User’s Guide.
- Test a sample of a particular paper to ensure that it is compatible with the printer and produces acceptable print quality before purchasing large quantities.
- Do not use damaged, curled, or wrinkled media. Do not use paper with cutouts or perforations.
- Do not use paper that is too thin, has a slick texture, or “stretches” easily. It can feed improperly through the printer’s paper path.
- Do not use multiple-part forms.
- Avoid using paper that is heavily textured or embossed. It often does not accept ink well and can cause poorly filled graphics or text.

Selecting and Using Paper

HP Special Media

NOTE:

For information on printing on both sides of the page, HP Premium papers, labels, custom-sized paper, cards, single and multiple envelopes, and printing booklets, see the topic "Print on a Variety of Paper Types and Sizes" on the How Do I? tab in the HP 2000C Toolbox. You also may want to look for printing-related topics in the HP 2000C Toolbox index.

Tips for Using Paper

- Load only one paper type at a time into the IN tray or accessory paper tray.
- Before inserting a stack of paper into the IN tray or the accessory paper tray, tap the edges on a flat surface to even it out.
- Always insert paper print side down, with the right edge of the paper aligned against the right edge of the IN tray or accessory paper tray.
- Do not load a stack of more than 150 sheets (5/8 in. or 16 mm thick) of paper into the IN tray at one time. For the HP 2000C Professional Series Accessory Paper Tray, do not load a stack of more than 250 sheets (1 in. or 26 mm thick) of paper at one time.

HP Special Media

HP offers a wide variety of special media designed to produce exceptional black and color print quality on all your printed documents. Use these HP papers when you want the most vivid color and the sharpest text.

HP Bright White InkJet Paper

HP Bright White InkJet Paper is an excellent common paper type for everyday use with your HP 2000C printer. It is available from most office supply stores at prices comparable to other standard paper choices.

HP Premium InkJet Paper

Use HP Premium InkJet Paper for printing presentations, final copies of important documents, charts, and graphs. HP Premium InkJet Paper gives you sharper, brighter colors and superior black text compared to plain paper.

HP Premium InkJet Heavyweight Paper

This heavyweight matte paper is coated on both sides for sharp, vivid, two-sided printing. HP Premium InkJet Heavyweight Paper produces high-resolution color images on a sturdy, durable surface with near-photographic quality. Ideal for report covers, special presentations, brochures, mailers, and calendars.

HP Photo Paper

This heavyweight, double-sided paper is glossy on one side and matte on the other. It is ideal for creating photo projects.

HP Premium Photo Paper

Use HP Premium Photo Paper for printing photos with a glossy finish.

HP Deluxe Photo Paper

For the best flesh tones and true-to-life landscape colors, use HP Deluxe Photo Paper. Kodak Image Enhancements will be used only when HP Deluxe Photo Paper is selected in the HP Print Settings dialog box. HP Deluxe Photo Paper and Kodak Image Enhancements are specifically designed by HP and Kodak for your HP 2000C printer.

HP Premium InkJet Transparency Film

For best results, use HP Premium InkJet Transparency Film, which is specifically designed to work with your HP 2000C printer. The film coating on HP Premium InkJet Transparency Film has been specially designed to work with HP inks to give you crisp images and text, and faster drying times.

Selecting and Using Paper

HP Special Media

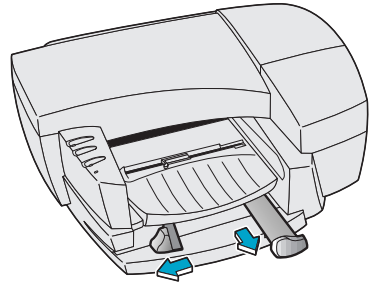
HP Premium InkJet Rapid-Dry Transparencies

Specially formulated, this premium film is designed to make your color presentations vivid and even more impressive. This easy-to-use, easy-to-handle film won't jam your printer or printer-copier and will produce spectacular color and crisp, clean images, and text with inks that dry quickly without smudging.

Basic Steps for Loading All Types of Media

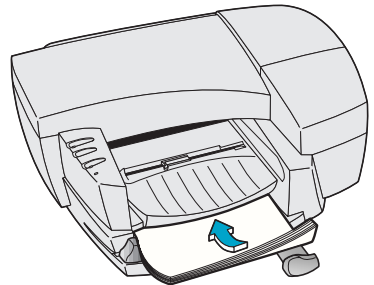
To load media in the IN tray

- 1 Adjust the print settings in your software program and the HP 2000C printer driver to match the paper type, size, and orientation of the paper you are using. (See the topic “Change Print Settings” on the **How Do I?** tab in the HP 2000C Toolbox).
- 2 Slide the paper width adjuster to the left and slide the paper length adjuster out to make room for the paper, transparencies, or envelopes.

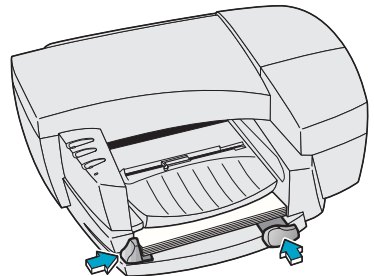


- 3 Place a stack (up to 5/8 in. or 16 mm thick) of paper, transparencies, or envelopes print side down in the IN tray with the right side of the stack against the right side of the tray, and push in the stack until it stops.

The OUT tray can be lifted and clicked into a raised position while loading media. This is especially helpful when loading smaller media. Be sure to lower the tray before printing.



- 4 Readjust the paper width and length adjusters to fit snugly against the stack's edges without bending the media.

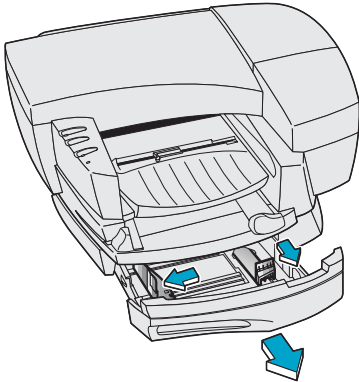


Selecting and Using Paper

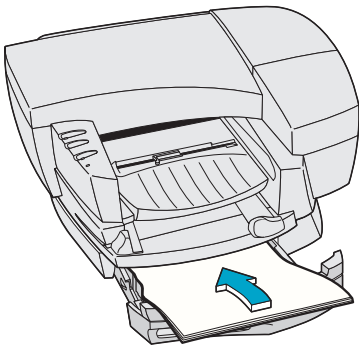
To Load Media in the HP 2000C Professional Series Accessory Paper Tray

To load media in the HP 2000C Professional Series Accessory Paper Tray

- 1 Adjust the print settings in your software program and the HP 2000C printer driver to match the paper type, size, and orientation of the paper you are using. (See the topic “Change Print Settings” on the **How Do I?** tab in the HP 2000C Toolbox).



- 2 Open the accessory paper tray cassette drawer by grasping its handle (left side) and pulling the drawer toward you. (The drawer can be completely removed).
- 3 Slide the paper width adjuster to the left and slide the paper length adjuster out to make room for the stack of paper, transparencies, or envelopes.

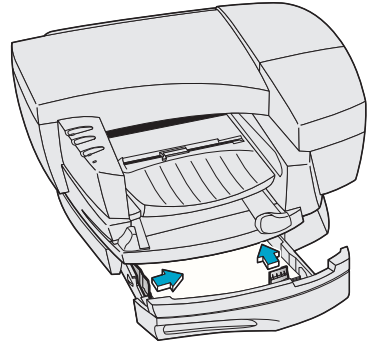


- 4 Place a stack of paper, transparencies, or envelopes print side down in the tray with the right side of the stack against the right side of the tray. The accessory paper tray will hold up to 250 sheets of paper (a stack up to 1 in. or 26 mm thick).

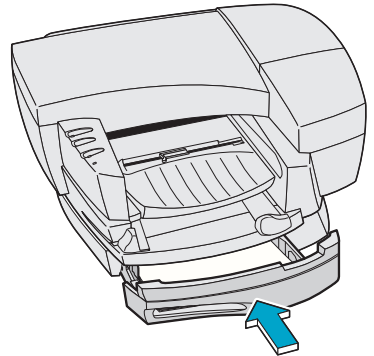
Selecting and Using Paper

To Load Media in the HP 2000C Professional Series Accessory Paper Tray

5 Readjust the paper width and length adjusters to fit snugly against the stack's edges without bending the media.



6 Close the cassette drawer. If the drawer has been removed from the tray, rest the drawer on the same level surface as the tray, align the drawer to its opening, then push the drawer into the tray.



Monitoring Ink Cartridges

Ink cartridges for the HP 2000C require no maintenance or cleaning. As long as each ink cartridge is inserted properly in its slot, the ink will flow correctly to the printheads. Because the printheads control the amount of ink transferred to the page, you will continue to see high-quality printing results, even when the ink levels are getting low.

The printer software will notify you when an ink cartridge's ink level is low. You can also check the ink levels of all the ink cartridges to determine if an ink cartridge needs to be replaced. If an ink cartridge is empty, the printer will stop printing.

NOTE:

Two-way communication between your printer and your computer lets your printer send status, attention, and error information to your computer. When two-way communication is not working, you can still check the ink levels of the ink cartridges using the HP 2000C Toolbox.

To check ink cartridge ink levels

- 1 Make sure the printer and the computer are on. (Always turn the printer on first).
- 2 Open the HP 2000C Toolbox. For details, see "Using the HP 2000C Toolbox" in the "Using Your Printer Driver Software" section of this User's Guide.
- 3 If two-way communication is working, the Status tab will display the current ink levels.

If two-way communication is not working, click the button **Print a Page Showing Ink Levels**.

Monitoring and Replacing Ink Cartridges


Replacing an Ink Cartridge

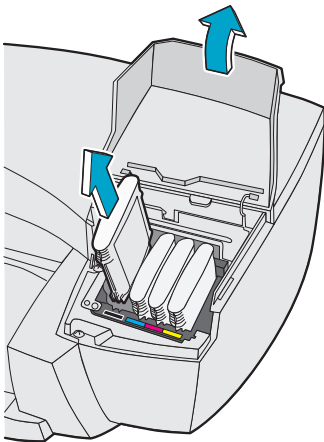
NOTE:

Do not permanently remove an ink cartridge until you are ready to replace it. The printer will not print unless all ink cartridges are in place and contain sufficient ink levels. However, you can temporarily remove and reinsert an ink cartridge into its slot as part of a troubleshooting process.

Replacing an Ink Cartridge

When an ink cartridge's ink level is getting low, the printer sends a message indicating that the ink cartridge needs to be replaced soon. You can also check the ink levels of all the ink cartridges to determine if an ink cartridge needs to be replaced. If an ink cartridge is empty, the printer will stop printing.

The HP selection number on ink cartridges and printheads makes it easy for you to find the correct HP printing supplies for your HP 2000C printer. Determine the color of the ink cartridge you need, then make sure you purchase or order an HP No.  Ink Cartridge in that color. See "Ordering Parts and Accessories" in this User's Guide for ink cartridge part numbers and ordering information.



- 1 Open the ink cartridge door (on the right side of the printer) to reveal the four ink cartridge slots.
- 2 Grasp the top of the appropriate ink cartridge, and pull it up and out of its slot.

Caution: Keep new and used ink cartridges out of the reach of children.

Monitoring and Replacing Ink Cartridges

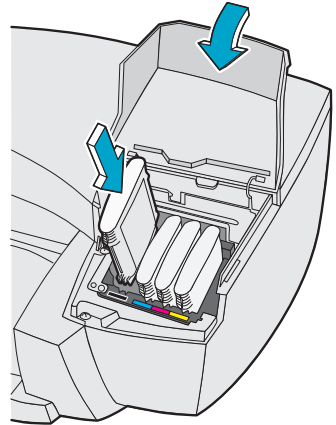
Replacing an Ink Cartridge

- 3 Remove the new HP No. 10 Ink Cartridge from its package.

- 4 Match the ink cartridge label color to the slot label color. Line up the arrows and insert the ink cartridge into its corresponding slot, pushing it down firmly.

All ink cartridges must be correctly installed for the printer to operate.

- 5 Close the ink cartridge door.






Maintaining Printheads

The printheads used in the HP 2000C are extremely durable and do not need to be replaced every time an ink cartridge is replaced.

The printheads control the amount of ink transferred to the page, so you will continue to see high-quality printing results, even when the ink levels of the ink cartridges are getting low.

You can get printhead status information by printing a Diagnostic Test page. This page will help you determine the current condition of your printheads.

To print a Diagnostic Test page

- 1 With the printer on (power light on), press and hold down the power  button.
- 2 Press the resume  button 5 times.
- 3 Release the power  button.

NOTE:

Two-way communication between your printer and your computer lets your printer send status, attention, and error information to your computer. When two-way communication is not working, you can still check the status of the printheads using the HP 2000C Toolbox.

ATTENTION:

When turning off your printer, always use the power button on the printer rather than unplugging it or switching off a power strip. Whenever you turn off the power, the printhead carriage returns to its "home" position, which prevents the printheads from drying out.

Maintaining and Replacing Printheads

Maintaining Printheads

NOTE:

Do not clean a printhead unnecessarily, as this wastes ink and shortens the life of the printhead.

If you notice a decline in print quality, such as lines or dots missing from printed text or graphics, it does not mean that your ink cartridges have low ink levels. It may be an indication that your printheads need to be cleaned.

To clean the printheads

- 1 Open the HP 2000C Toolbox. For details, see “Using the HP 2000C Toolbox” in the “Using Your Printer Driver Software” section of this User’s Guide.
- 2 Click the **Services** tab.
- 3 Select **Clean the Printheads**, and follow the instructions on your computer screen.

Replacing a Printhead

NOTE:

Do not permanently remove a printhead until you are ready to replace it. The printer will not print unless all printheads are in place and in good working condition. However, you can temporarily remove and reinsert a printhead into its socket as part of a troubleshooting process.

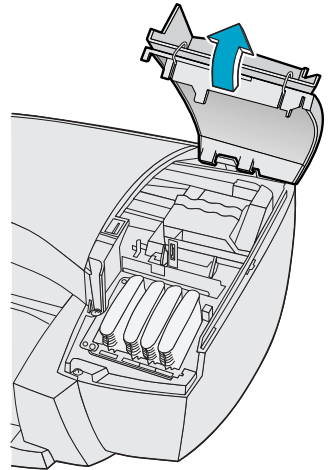
The HP selection number on ink cartridges and printheads makes it easy for you to find the correct HP printing supplies for your HP 2000C printer. Determine the color of the printhead you need, then make sure you purchase or order an HP No. (10) Printhead for that color. See “Ordering Parts and Accessories” in this User’s Guide for printhead part numbers and ordering information.

Maintaining and Replacing Printheads

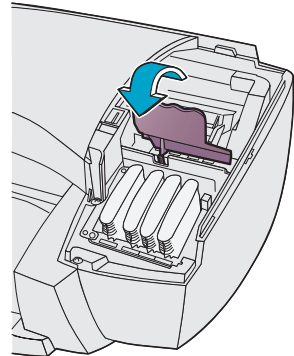
Replacing a Printhead

- 1 Make sure the printer power is on.
- 2 Open the ink cartridge door, then lift and remove the printhead access cover (on the right side of the printer). The attention light flashes while the cover is open.

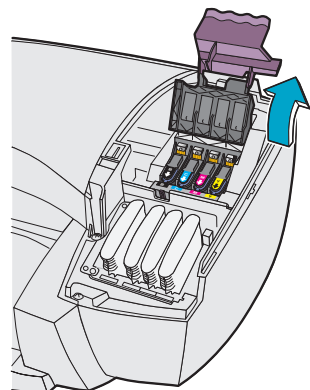
The metal printhead latch tab prevents the printhead latch from being opened when the printer is not turned on.



- 3 Open the printhead latch.
 - a) Lift the purple printhead latch, then pull the latch forward and down to release the latch hook from the purple carriage lock.

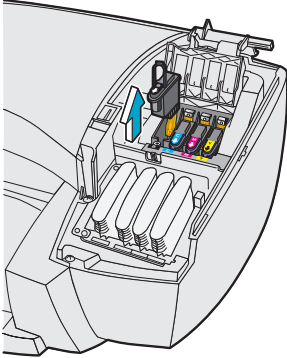


- b) Push and lift the latch toward the back of the printer so the printheads are completely revealed. The latch should rest on the back of the printer.



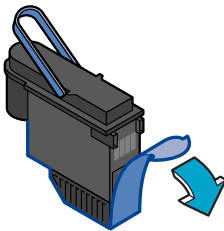
Maintaining and Replacing Printheads

Replacing a Printhead

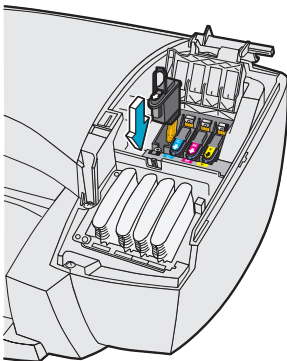


- 4 Grasp the top of the used printhead by its handle, and pull it up and out of its socket.

Caution: Keep new and used printheads out of the reach of children.



- 5 Remove the new HP No. 10 Printhead from its package and hold it by its colored handle. Being careful not to touch the gold-colored metallic strip on the printhead, gently remove the transparent protective tape covering the electrical contacts and ink nozzles.



- 6 Holding the printhead by its handle, match the printhead label color to the socket label color. The ink connector pin should be positioned toward the front of the printer.
Insert the printhead into its socket, pushing it down firmly. Then, lower its handle back to the flat position.

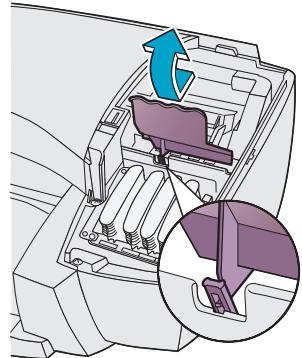
All four printheads must be correctly installed for the printer to operate.

Maintaining and Replacing Printheads

Replacing a Printhead

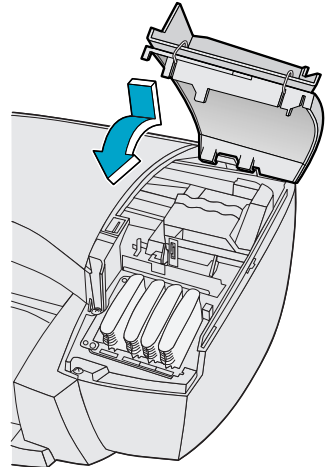
- 7 Close the purple printhead latch. Be sure that the hook on the printhead latch catches the purple carriage lock.

The carriage lock must be engaged in order for the printhead carriage to move into its operational position.



- 8 Replace the printhead access cover. Align the back first, then lower the rest of the cover down. Snap the cover in place and close the ink cartridge door.

The printhead carriage returns to its “home” position, and the attention light stops flashing when the cover is closed.



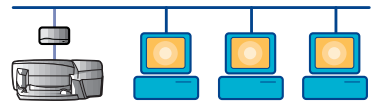
Using Your Printer on a Network

Network-Connect

If you work in a network environment, you can connect the HP 2000C printer to your network. The printer can be attached directly to the network via an external print server (network-connect) or connected to a personal computer (locally shared).

Network-Connect (recommended)

In this configuration, the printer connects to the network via direct attachment to an external print server such as an HP JetDirect 300X. This configuration provides increased performance, location flexibility, and better printer status information.

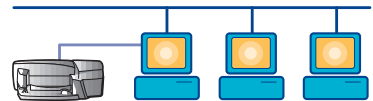


Locally Shared

In the locally shared configuration, the printer is connected directly to the parallel port of a selected computer on the network. The printer can then be shared by other users on the network through the Windows operating system.

The advantages of a locally shared printer are relatively easy installation and low cost, since no additional hardware or software is required.

The disadvantages of a locally shared printer involve decreased performance, limited printer status information, and less flexibility in locating the printer. Also, the host computer may slow down while handling print jobs, and print jobs may be delayed for other users. Finally, if the host computer is turned off or rebooted, print jobs may be lost or not printed.



Setting Up Your Printer on a Network

For detailed information on setting up your printer on a network, go to the index of the HP 2000C Toolbox, under the topic "Printing on a Network."

Troubleshooting Printing Problems

Using the HP 2000C Toolbox for Troubleshooting

Your HP 2000C printer and printer driver software have been designed to work together to enable you to print documents easily and efficiently. If a printing problem does occur, and two-way communication between your printer and computer (or network) is working, you will receive a help message on your computer screen.

Using the HP 2000C Toolbox for Troubleshooting

If a printing problem occurs and you don't receive an on-screen help message, you can use the online troubleshooting feature built into the HP 2000C Toolbox. In the Toolbox, click the Troubleshooting tab. The troubleshooting information in the HP 2000C Toolbox is designed to help you diagnose and solve most of the common printing problems that can occur.

To use the troubleshooting feature in the HP 2000C Toolbox

- 1 Open the HP 2000C Toolbox. To open the HP 2000C Toolbox:

Windows 95 and Windows NT 4.0

- Double-click the HP 2000C Toolbox icon in the bottom-right corner of the Windows Taskbar.

Or

- From the **Start** Menu, choose **Programs**. Then, choose **HP 2000C Utilities**, then **HP 2000C Toolbox**.

Windows 3.1

- Double-click the HP 2000C Toolbox icon in the **HP 2000C Utilities Program Group**.

- 2 Click the Troubleshooting tab, then follow the instructions on your computer screen.




Troubleshooting Printing Problems

Printing a Diagnostic Test Page

Printing a Diagnostic Test Page

The Diagnostic Test page is a useful tool for checking printer status. The test page includes information on the printer, built-in fonts, printheads, and ink cartridges.

To print a Diagnostic Test page

- 1 With the printer on (power light on), press and hold down the power  button.
- 2 Press the resume  button 5 times.
- 3 Release the power  button.

Testing Two-way Communication

If you are not sure whether two-way communication is working, you can test it using the HP 2000C Toolbox.

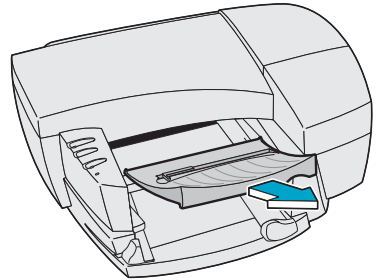
To test two-way communication

- 1 Make sure the printer and computer are on. (Always turn the printer on first).
- 2 Open the HP 2000C Toolbox. For details, see “Using the HP 2000C Toolbox” in the “Using Your Printer Driver Software” section of this User’s Guide.
- 3 Click the **Services** tab, then click **Test Printer Communication**. Follow the instructions on your computer screen.

Clearing Paper Jams

To clear a paper jam in the IN or OUT tray

- 1 Remove all paper from the IN and OUT tray.
- 2 Remove the OUT tray by lifting it up halfway, then pulling it out.
- 3 If the paper is stuck somewhere between the IN and OUT trays, pull one end of the paper with steady force.
If the paper is caught underneath the top cover, reach your hand under the cover to grasp the wadded paper and pull it out.
- 4 Verify that all scraps of paper are removed from the paper path and look for any other obstructions along the paper path.



To clear a paper jam in the HP2000C Professional Series Accessory Paper Tray

- 1 Lift the printer off the accessory paper tray and set the printer down on its side.
- 2 Remove the paper from the input slot on the bottom of the printer, or from the output slot on the top of the tray.
- 3 Replace the printer on top of the accessory paper tray.

Troubleshooting Printing Problems

Information on Other Printing Problems

Information on Other Printing Problems

For troubleshooting information, always go to the Troubleshooting tab in the HP 2000C Toolbox.

If you are not able to solve your printing problem using the Troubleshoot feature in the HP 2000C Toolbox, see the “Customer Support” section in this User’s Guide.

If you encounter a printing problem, or have questions about how your printer works, HP offers several options for getting assistance.

Using the HP 2000C Toolbox for Troubleshooting

If you have specific printing problems, open the 2000C Toolbox and go to the Troubleshooting tab. Most common printing problems can be solved by following the step-by-step instructions provided in the Toolbox. For details on opening the Toolbox, see “Using the HP 2000C Toolbox” in the “Using Your Printer Driver Software” section of this User’s Guide.

Electronic Support

For free help with your printer 24 hours a day, 7 days a week, use one of the following services:

World Wide Web

The fastest and most up-to-date technical support help for your printer is provided by HP at:
<http://hp2000c.com>

America Online & CompuServe

America Online and CompuServe are both electronic information and communication services run by independent companies. The GO word (or keyword) for the Hewlett-Packard Forum is “HP.” In these forums, you can ask or answer questions about HP products.

HP FIRST Fax Program

HP FIRST is a free service that allows you to get technical support documents via your fax machine. This program is available 24 hours a day, 7 days a week.

Country	Telephone Number
North America	
U.S. & Canada	(800) 333-1917
Europe	
Austria	0660.8128
Belgium (Dutch)	0800.11906
Belgium (French)	0800.17043
Denmark	800.10453
Finland	9800.13134
France	05.905900
Germany	0130810061
Italy	1678.59020
Netherlands	0800.22.2420
Norway	800.11319
Portugal	800.313342
Spain	900.993.123
Sweden	020.795.743
Switzerland (French)	0800.55.1526
Switzerland (German)	0800.55.1527
United Kingdom	0800.960271
Other European countries	+31.20.681.5792



HP Customer Support Center Help

Your printer comes with a 90-day warranty for technical support and a 1-year warranty for repair. This means you will receive free phone support from HP if you have owned your printer for 90 days or less. HP will repair your printer for free if you have owned it for 1 year or less. After these warranty periods, you will be charged for support and for repairs.

After the Warranty Period

Technical Support – Call one of the numbers below if you have owned your printer for more than 90 days.

Service & Repair – Call one of the numbers below if you have owned your printer for more than 1 year.

Please be at your computer when you call and please have your printer's service ID# ready. To obtain your printer's service ID#, press and hold the power  button and click the resume  button 5 times. A test page showing the service ID# will print.

Country	Telephone Number	Hours of Operation
North America		
U.S.	(900) 555-1500	M-F, 6am to 10pm (MST) and Sat, 9am to 4pm (MST)
You will be charged \$2.50 per minute up to a maximum of \$25. The charge will begin only when you are connected with a support technician. This fee will be charged to your Visa or MasterCard, so please have it available.		
Canada (English)	(800) 999-1148	M-F, 6am to 10pm (MST) and Sat, 9am to 4pm (MST)
For calls from Canada, or for calls in the U.S. that you anticipate will be longer than 10 minutes, call this number.		
Canada (French)	(905) 206-4383	M-F, 7am to 6pm (MST)
The fee is \$25 per call. The charge will begin only when you are connected with a support technician. This fee will be charged to your Visa or MasterCard, so please have it available.		
Europe	Same number as during the warranty period.	
Latin America	Same number as during the warranty period.	



Customer Support

HP Customer Support Center Help

During the Warranty Period

Technical Support – Call one of the numbers below if you have owned your printer for less than 90 days.

Service & Repair – Call one of the numbers below if you have owned your printer for less than 1 year.

Please be at your computer when you call and please have your printer's service ID# ready. To obtain your printer's service ID#, press and hold the power  button and click the resume  button 5 times. A test page showing the service ID# will print.

Country	Telephone Number	Hours of Operation
North America		
U.S. & Canada (English)	(208) 323-2551	M-F, 6am to 10pm (MST) and Sat, 9am to 4pm (MST)
Canada (French)	(905) 206-4383	M-F, 8:30am to 5pm (MST)
Europe		
Austria	06.60.63.86	
Belgium (Dutch)	02.626.88.06	
Belgium (French)	02.626.88.07	
Czech Republic	42 (2) 471 7321	
Denmark	3929 4099	
English (non-UK)	+44 171 512 52 02	M-F,
Finland	0203 47 288	8:30am to 6pm
France	01 43 62 34 34	(Central European time)
Germany	0180.52.58.143	
Hungary	36 (1) 252 4505	
Ireland	01 662 5525	
Italy	02.2.641.0350	
Netherlands	020.606.87.51	
Norway	22 11 6299	
Poland	48 22 37 50 65	

Customer Support

During the Warranty Period

Portugal	01 441 7199	
Russia	7095 923 50 01	
Spain	90.23.21.123	M-F,
Sweden	08 619 2170	8:30am to 6pm
Switzerland	08.48.80.11.11	(Central European time)
Turkey	90 1 224 59 25	
United Kingdom	0171.512.52.02	
Other European countries	+44.171.512.52.02	

Latin America

Argentina	787-8080	M-F, 8:30am to 7:30pm
Brazil	022-829-6612	M-F, 9am to 6pm
Chile	800-360999	M-F, 9am to 6pm
Mexico	01800-22147	M-F, 9am to 6pm
Mexico	01800-90529	M-F, 9am to 6pm

Africa

Africa	+41 22/780 71 11	M-F, 8:30am to 6pm (Central European time)
--------	------------------	--

For all other regions or countries, please contact your local dealer for service and support.

Other Support Programs

Extending Your Warranty

If you would like to extend your printer coverage for repair beyond the 1-year factory warranty, contact your local reseller.

Express Exchange (U.S. only)

If your printer needs repair during the warranty period (the first year of ownership), Hewlett-Packard offers a free Express Exchange program for customers in the United States. A refurbished (like new) printer can be delivered in 2 business days, while the damaged printer is returned using a prepaid shipping label. A technical support agent at the Support Center can make the necessary arrangement.

Printer Drivers by Mail (U.S. Only)

You can order printer drivers for the cost of the disks or the CD by calling (970) 339-7009, 24 hours a day, Monday through Saturday. They will be delivered to you by mail. Drivers are also available on the World Wide Web for free.

Ordering Parts and Accessories

Replaceable Parts

Replaceable Parts

HP Reorder Number

Power Cords

U.S.A., Canada, Mexico, Arabic Countries	8120-8419
Europe (except U.K.), Jordan, Lebanon, N. Africa, Russia	8120-8417
U.K.	8120-8416
South Africa	8120-8421
Argentina	8120-8451
Chile	8120-8452

HP 2000Cxi Printing Essentials Kits

US English	C4350-60155
------------	-------------

HP 2000Cse Printing Essentials Kits

US English	C5900-60001
------------	-------------

HP 2000C Printing Essentials Kits

English	C4350-60156
French	C4350-60157
Portuguese	C4350-60158
Spanish	C4350-60159

HP 2000CN Printing Essentials Kits

English	C5901-60001
French	C5901-60002
Portuguese	C5901-60003
Spanish	C5901-60004

HP Printer Parts

Ink Delivery System	C4530-67901
Service Station	C4530-67903
Ink Supply Station	C4530-67902

Ordering Parts and Accessories

Accessories

Accessories	HP Reorder Number
HP 2000C Professional Series Accessory Paper Tray	C4601A
Windows/DOS I/O Interface Cables	
HP IEEE-1284 Compliant Parallel Interface Cable (with one 1284-A connector for the computer port and one 1284-B connector for the printer port)	
2-meter length	C2950A
3-meter length	C2951A
HP No. 10 Ink Cartridges	
HP No. 10 Black Ink Cartridge (28 ml)	C4840A
HP No. 10 High-Capacity Black Ink Cartridge (74 ml)	C4844A
HP No. 10 Cyan Ink Cartridge	C4841A
HP No. 10 Magenta Ink Cartridge	C4843A
HP No. 10 Yellow Ink Cartridge	C4842A
HP No. 10 Printheads	
HP No. 10 Black Printhead	C4800A
HP No. 10 Cyan Printhead	C4801A
HP No. 10 Magenta Printhead	C4802A
HP No. 10 Yellow Printhead	C4803A
Media	
HP Bright White InkJet Paper (U.S. letter, 200 sheets)	C5976A
HP Bright White InkJet Paper (U.S. letter, 500 sheets)	C1824A
HP Bright White InkJet Paper (European A4, 200 sheets)	C5977A
HP Bright White InkJet Paper (European A4, 500 sheets)	C1825A
HP Premium InkJet Paper (U.S. letter, 200 sheets)	51634Y
HP Premium InkJet Paper (European A4, 200 sheets)	51634Z
HP Premium InkJet Heavyweight Paper (U.S. letter, 100 sheets)	C1852A
HP Premium InkJet Heavyweight Paper (European A4, 100 sheets)	C1853A
HP Photo Paper (U.S. letter, 20 sheets)	C6763A
HP Photo Paper (European A4, 20 sheets)	C6764A
HP Premium Photo Paper (U.S. letter, 15 sheets)	C6039A
HP Premium Photo Paper (European A4, 15 sheets)	C6040A
HP Deluxe Photo Paper (U.S. letter, 20 sheets)	C6055A
HP Deluxe Photo Paper (European A4, 20 sheets)	C6057A
HP Premium InkJet Transparency Film (U.S. letter, 50 sheets)	C3834A
HP Premium InkJet Transparency Film (U.S. letter, 20 sheets)	C3828A
HP Premium InkJet Transparency Film (European A4, 50 sheets)	C3835A
HP Premium InkJet Transparency Film (European A4, 20 sheets)	C3832A
HP Premium InkJet Rapid-Dry Transparencies (U.S. letter, 50 sheets)	C6051A
HP Premium InkJet Rapid-Dry Transparencies (European A4, 50 sheets)	C6053A

Ordering Parts and Accessories

Ordering Information

Ordering Information

To order printer parts or accessories, call your nearest HP dealer. If your dealer does not have the parts or accessories you need, call HP DIRECT for fast shipping service.

U.S.:

1 (800) 227-8164

Canada:

(800) 387-3154, (905) 206-4725

Fax: (905) 206-3485/-3739

Hewlett-Packard (Canada) Ltd.

5150 Spectrum Way

Mississauga, Ontario L4W 5G1

Toronto:

(416) 671-8383

Latin American Headquarters:

(305) 267-4220

Fax: (305) 267-4247

5200 Blue Lagoon Drive

Suite 950

Miami, Florida 33126

Argentina:

(54 1) 787-7100

Fax: (54 1) 787-7213

Hewlett-Packard Argentina

Montañeses 2150

1428 Buenos Aires, Argentina

Brazil:

(55 11) 7296-4991

Fax: (55 11) 7296-4967, Edisa-HP SA

Edisa-HP SA

R. Aruana 125

Tambore, Barueri São Paulo, Brazil

Chile:

(56 2) 203-3233

Fax: (56 2) 203-3234

Hewlett-Packard de Chile SA

Av. Andres Bello 2777, Oficina 1302

Las Condes, Santiago, Chile

Mexico:

(52 5) 258-4600

Fax: (52 5) 258-4362

Hewlett-Packard de México

S.A. de C.V. ProL Reforma #400

Colonia Lomas de Santa Fe

01210 México, D.F.

Venezuela:

(58 2) 239-4244/239-4133

Fax: (58 2) 207-8014

Hewlett-Packard de Venezuela, C.A.

Tercera Transversal de Los Ruices Norte

Edificio Segre, Caracas 1071

Venezuela Apartado Postal 50933

Caracas 1050

Elsewhere in the World

Hewlett-Packard Company

Intercontinental Headquarters

3495 Deer Creek Road

Palo Alto, California 94304

U.S.A.

Minimum Margins

Size	Right/Left	Top	Bottom
Paper			
U.S. letter 8.5 x 11 in. (216 x 279 mm)	0.25 in. (6.35 mm)	0.04 in. (1.0 mm)	0.46 in. (11.7 mm)
U.S. legal 8.5 x 14 in. (216 x 356 mm)	0.25 in. (6.35 mm)	0.04 in. (1.0 mm)	0.46 in. (11.7 mm)
Executive 7.25 x 10.5 in. (184 x 267 mm)	0.25 in. (6.35 mm)	0.04 in. (1.0 mm)	0.46 in. (11.7 mm)
A4 size 8.27 x 11.7 in. (210 x 297 mm)	0.134 in. (3.4 mm)	0.04 in. (1.0 mm)	0.46 in. (11.7 mm)
A5 size 5.8 x 8.3 in. (148 x 210 mm)	0.13 in. (3.2 mm)	0.04 in. (1.0 mm)	0.46 in. (11.7 mm)
Cards			
U.S. Card 4 x 6 in. (102 x 152 mm)	0.13 in. (3.2 mm)	0.04 in. (1.0 mm)	0.46 in. (11.7 mm)
U.S. Card 5 x 8 in. (127 x 203 mm)	0.13 in. (3.2 mm)	0.04 in. (1.0 mm)	0.46 in. (11.7 mm)
A6 Card 4.13 x 5.83 in. (105 x 148 mm)	0.13 in. (3.2 mm)	0.04 in. (1.0 mm)	0.46 in. (11.7 mm)
Custom			
Custom ranging from: 3 in. (76.2 mm) to 8.5 in. (216 mm) width 5 in. (127 mm) to 14 in. (356 mm) length	0.13 in. (3.2 mm)	0.04 in. (1.0 mm)	0.46 in. (11.7 mm)
Size	Top/Bottom	Right	Left
Envelopes			
U.S. No. 10 4.125 x 9.5 in. (104.8 x 241.3 mm)	0.13 in. (3.2 mm)	0.04 in. (1.0 mm)	0.46 in. (11.7 mm)
U.S. Monarch 3.87 x 7.5 in. (98 x 190 mm)	0.13 in. (3.2 mm)	0.04 in. (1.0 mm)	0.46 in. (11.7 mm)
A2 or 5.5 Baronial 4.37 x 5.75 in. (111 x 146 mm)	0.13 in. (3.2 mm)	0.04 in. (1.0 mm)	0.46 in. (11.7 mm)
DL 4.33 x 8.66 in. (110 x 220 mm)	0.13 in. (3.2 mm)	0.04 in. (1.0 mm)	0.46 in. (11.7 mm)
C5 6.38 x 9.0 in. (162 x 229 mm)	0.13 in. (3.2 mm)	0.04 in. (1.0 mm)	0.46 in. (11.7 mm)
C6 4.49 x 6.38 in. (114 x 162 mm)	0.13 in. (3.2 mm)	0.04 in. (1.0 mm)	0.46 in. (11.7 mm)

Specifications

Printer Specifications

Printer Specifications

Print Method

Plain paper drop-on-demand thermal
InkJet printing

Black Text Print Speed*

Best: 7 pages per minute
Normal: 8 pages per minute
EconoFast: 10 pages per minute

Color Print Speed*

Best: 2 pages per minute
Normal: 4 pages per minute
EconoFast: 7 pages per minute

Black Print Quality

Up to 600 dpi**

Color Print Quality

Photo REt II

DOS (graphics)

Full-page 75, 150, 300 dpi

Printer Command Language

HP PCL Level 3

Character Sets

PC-8, PC-8 Danish/Norwegian, PC Turkish, PC-850,
PC-852, Roman-8, ECMA-94 Latin 1 (ISO 8859/1), ECMA-
94 Latin 2 (ISO 8859/2), ECMA-128 Latin 5 (ISO 8859/5),
United Kingdom (ISO 4), ANSI ASCII (ISO 6), Swedish
(ISO 11), Italian (ISO 15), Spanish (ISO 17), German (ISO
21), Danish/Norwegian (ISO 60), French (ISO 69), Legal

Arabic, Cyrillic, Greek, Hebrew on optional ROM

Software Compatibility

Windows 3.1, Windows 95, Windows NT 4.0., DOS 3.3 and
above

Built-in Fonts

Courier, Letter Gothic, CG Times, Univers

HP FontSmart v2.5

Scalable TrueType Fonts for Microsoft Windows (*Available
through FontSmart on Printer Software CD*)

Albertus, Albertus Extra Bold, Antique Olive, Antique
Olive Compact, Arial, Arial Narrow, Arial Black, PL
Benguiat Frisky, Bertram, Bodoni, Bodoni Black, Book
Antiqua, ITC Bookman Old Style, Century Gothic,
Century Schoolbook, Challenge Extrabold, Clarendon,
Clarendon Condensed Bold, Clarendon Extra Bold,
Coronet, Corsiva, Courier, Garamond, Gill Sans, Gill Sans
Light, Gill Sans Condensed, Gill Sans Extra Bold,
Gloworm, CG Goudy Oldstyle, CG Goudy Oldstyle Extra
Bold, Graphite Light, Graphos, Letter Gothic, Lucida
Casual, Lucida Casual Italic, Marigold, Metrostyle,
Metrostyle Extended, Milestones, Nadianne Bold, Old
English, CG Omega, Ozzie Black, Party, CG Poster
Bodoni, Pompeii Capitals, Signet Roundhand, Sorts,
Strider, Symbol, Theatre Antione, CG Times, Times New
Roman, Univers, Univers Condensed, Univers Light
Condensed, Univers Extended, Wingdings

Recommended Media Weight:

HP 2000C Printer

Paper: 60 to 157 g/m² (16 to 42 lb)
Envelopes: 75 to 90 g/m² (20 to 24 lb)
Cards: 110 to 200 g/m² (110 lb index max.;
8.5 pt max. thickness)

HP 2000C Accessory Paper Tray

Paper: 60 to 105 g/m² (16 to 28 lb)

* Approximate figures. Exact speed will vary depending
on the system configuration, software program,
and document complexity.

** Measured in addressable raster points per inch.

Supported Media Sizes:

HP 2000C Printer

U.S. letter (8.5 x 11 in.) 216 x 279 mm
U.S. legal (8.5 x 14 in.) 216 x 356 mm
U.S. Executive (7.25 x 10.5 in.) 184 x 267 mm
U.S. No. 10 envelope (4.12 x 9.5 in.) 105 x 241 mm
U.S. Monarch envelope (3.87 in. x 7.5 in.) 98 x 190 mm
Index card (3 x 5 in.) 76.2 x 127 mm
Index card (4 x 6 in.) 102 x 152 mm
Index card (5 x 8 in.) 127 x 203 mm
European A2 or 5.5 Baronial envelope 111 x 146 mm
European A4 210 x 297 mm
European A5 148 x 210 mm
European A6 105 x 148 mm
European DL envelope 110 x 220 mm
European C5 envelope 162 x 229 mm
European C6 envelope 114 x 162 mm
European A6 card 105 x 148.5 mm
Custom size: Width 76.2 to 216 mm (3 to 8.5 in.);
Length 127 to 356 mm (5 to 14 in.)

HP 2000C Accessory Paper Tray

U.S. letter (8.5 x 11 in.) 216 x 279 mm
U.S. Executive (7.25 x 10.5 in.) 184 x 267 mm
European A4 210 x 297 mm
European A5 148 x 210 mm
Custom size: Width 148 to 216 mm (5.8 to 8.5 in.);
Length 190 to 297 mm (7.5 to 11.7 in.)

Media Handling (Built-In Feeders)

Sheets: IN tray up to 150 sheets, HP 2000C Professional Series Accessory Paper Tray up to 250 sheets
Envelopes: up to 15 envelopes
Cards: up to 60 cards
OUT tray capacity: up to 75 sheets of paper, up to 15 envelopes, up to 40 cards

Buttons

Power, Pause/Cancel Print, and Resume

Lights

Power, Attention, and Activity

DOS/Windows I/O Interface

Centronics parallel, IEEE 1284 compliant with 1284-B receptacle (ECP, Compatibility Mode, Nibble Mode)

Processor

Intel 960 JA

Printer Memory

2 MB of built-in ROM (4 MB Eastern Europe model)
2 MB of built-in RAM
32 Kbyte receive buffer

Dimensions

19.7 in (500 mm) W
7.9 in (200 mm) H
16.9 in (430 mm) D

Weight

21.5 lbs (9.75 kg)

Power Requirements

Input Voltage: 100 to 240 VAC±10%
50/60 Hz ±3 Hz

Power Consumption

1 watt maximum when off
8 watts maximum non-printing
60 watts maximum printing
20 watts average printing

Specifications

Printer Specifications

Printer Duty Cycle

5,000 pages per month

75,000 pages per lifetime

Printhead Duty Cycle

12,000 pages per black printhead

15,000 pages per each color printhead

Operating Environment

Operating temperature range:

5° to 40°C (41° to 104°F)

Humidity: 15 to 80% RH non-condensing

Recommended operating conditions for best print quality: 15° to 35°C (59° to 95°F), 20 to 80% RH non-condensing

Storage temperature: -40° to 70°C (-40° to 158°F)

Declared noise emissions in accordance with ISO 9296:

Product: HP 2000C

Normal Mode

Sound Power Level L_{WA_d} (1B = 10db) 6.0 dB

Sound Pressure L_{pAm} (bystander positions) 48 dB

Minimum System Requirements

	CPU	Memory (RAM)	Free Disk Space
Windows 95	486, 25 Mhz	8 MB	15 MB
Windows NT 4.0	486, 25 Mhz	16 MB	15 MB
Windows 3.1	386, 25 Mhz	8 MB	15 MB

Recommended System Requirements

	CPU	Memory (RAM)	Free Disk Space
Windows 95	Pentium, 100 Mhz	16 MB	30 MB
Windows NT 4.0	Pentium, 133 Mhz	32 MB	30 MB
Windows 3.1	486 or Pentium, 66 Mhz	16 MB	30 MB

Regulatory Notice

Hewlett-Packard Company Model C4530A

This device complies with part 15 of the FCC Rules. Operation is subject to the following two conditions: (1) This device may not cause harmful interference, and (2) this device must accept any interference received, including interference that may cause undesired operation.

Pursuant to Part 15.21 of the FCC Rules, any changes or modifications to this equipment not expressly approved by Hewlett-Packard Company may cause harmful interference, and void your authority to operate this equipment. Use of a shielded data cable is required to comply with the Class B limits of Part 15 of the FCC Rules.

For further information, contact:
Hewlett-Packard Company
Manager of Corporate Product Regulations
3000 Hanover Street
Palo Alto, CA 94304
415/857-1501

NOTE: This equipment has been tested and found to comply with the limits for a Class B digital device, pursuant to part 15 of the FCC rules. These limits are designed to provide reasonable protection against harmful interference in a residential installation. This equipment generates, uses, and can radiate radio frequency energy and, if not installed and used in accordance with the instructions, can cause harmful interference to radio communications. However, there is no guarantee that interference will not occur in a particular installation. If this equipment does cause harmful interference to radio or television reception, which can be determined by turning

the equipment off and on, the user is encouraged to try to correct the interference by one or more of the following measures:

- Reorient or relocate the receiving antenna.
- Increase the separation between the equipment and the receiver.
- Connect the equipment into an outlet on a circuit different from that to which the receiver is connected.
- Consult the dealer or an experienced radio/TV technician for help

LED Indicator Statement

The display LEDs meet the requirements of EN 60825-1.

사용자 안내문

기종명	사용자 안내문
1급 기기	이 기기는 업무용으로 전자파 적합검정을 받은 기기이오니 판매자 또는 사용자는 이 점을 주의하시기 바라며, 인접 장소 구입하심을 때에는 구입한 곳에서 비업무용으로 교환하시기 바랍니다.
2급 기기	이 기기는 비업무용으로 전자파 적합검정을 받은 기기로서 주거지역에서는 물론 모든 지역에서 사용할 수 있습니다.

비고 1: 2급: 업무용 기기를 말한다.

비고 2: 업무용 기기 외에 기기를 말한다.

Environmental Attributes of the HP 2000C Printer

Environmental Statement

Hewlett-Packard continuously improves the design and production processes of HP printers to minimize the negative impact on the office environment and on the communities where printers are manufactured, shipped, and used. Hewlett-Packard has also developed processes to minimize the negative impact of the disposal of the printer at the end of printing life.

Reduction and Elimination

Printer Packaging: Packaging materials have been reduced, saving roughly 50% in fuel and, therefore, fuel emissions.

Ink Consumption: EconoFast mode uses about 1/2 the amount of black ink for text compared to Normal mode. EconoFast mode uses 1/3 to 1/4 less ink than Normal mode for color, thereby extending the life of the ink cartridge.

Paper Use: The printer's manual duplexing, or two-sided printing option, reduces paper usage and the resulting demands on natural resources. This printer is suited for the use of recycled papers according to DIN 19 309.

Ozone: All ozone-depleting chemicals (CFCs for example) have been eliminated from Hewlett-Packard manufacturing processes.

Recycling

Design for recycling has been incorporated into this printer. The number of materials has been kept to a minimum, and dissimilar materials have been designed to separate easily. Fasteners and connections are easy to locate, access, and remove using common tools. High-priority parts have been designed to be accessed quickly for efficient disassembly and repair. Plastic parts have been primarily designed in no more than two colors to enhance recycling options.

Printer Packaging: The printer packaging, the expanded polystyrene packaging inserts, and the clear polyethylene bags containing the printer drivers do not contain any halogenated polymers and are 100% recyclable.

Plastic Parts: All plastic parts of the printer and packaging are marked according to international standards, to enable the identification of these parts for recycling. The plastics used in the printer housing and chassis are technically recyclable.

Product Longevity: To ensure the longevity of your printer, HP provides the following:

Extended Warranty – HP SupportPack offers a three year protection plan. HP SupportPack must be purchased within 30 days of your product purchase. Contact the nearest HP dealer about this service.

Spare Parts and Consumables Availability for at least five years after production has stopped.

Energy Consumption

This printer was designed with energy conservation in mind. This printer uses less than 8 watts in stand by mode, which easily qualifies it as an energy-saving computer printer under the U.S. Environmental Protection Agency's Energy Star Computers Program.



Off-mode Energy Consumption: When the printer is in off-mode, a minimal amount of energy is still being consumed. Energy consumption can be prevented by turning the printer power off, and then disconnecting the printer power cord from the electrical source.

User's Guide Number C4530-90019

Printed in U.S.A. 1/98

Free Manuals Download Website

<http://myh66.com>

<http://usermanuals.us>

<http://www.somanuals.com>

<http://www.4manuals.cc>

<http://www.manual-lib.com>

<http://www.404manual.com>

<http://www.luxmanual.com>

<http://aubethermostatmanual.com>

Golf course search by state

<http://golfingnear.com>

Email search by domain

<http://emailbydomain.com>

Auto manuals search

<http://auto.somanuals.com>

TV manuals search

<http://tv.somanuals.com>