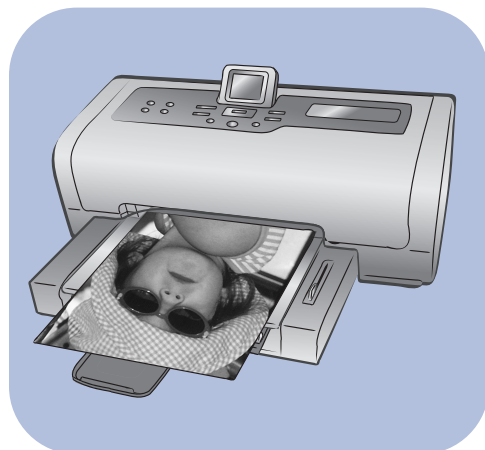


# hp photosmart 7700 series



# basics guide



© Copyright 2003 Hewlett-Packard Company

All rights are reserved. No part of this document may be photocopied, reproduced, or translated to another language without the prior written consent of Hewlett-Packard Company.

The information contained in this document is subject to change without notice. Hewlett-Packard shall not be liable for errors contained herein or for consequential damages in connection with the furnishing, performance, or use of this material.

HP, the HP logo, and Photosmart are property of Hewlett-Packard Company.

IBM is a registered trademark of International Business Machines Corporation.

The Secure Digital logo is a trademark of the SD Association.

Microsoft and Windows are registered trademarks of Microsoft Corporation.

CompactFlash, CF, and the CF logo are trademarks of the CompactFlash Association (CFA).

Sony Memory Stick is a registered trademark of Sony Corporation.

MultiMediaCard is a trademark of Infineon Technologies AG of Germany, and is licensed to the MMCA (MultiMediaCard Association).

xD-Picture Card is a trademark of Fuji Photo Films Co., Ltd., Toshiba Corporation, and Olympus Optical Co., Ltd.

SmartMedia is a trademark of Toshiba Corporation.

Mac, the Mac logo, and Macintosh are registered trademarks of Apple Computer, Inc.

Pentium is a registered trademark of Intel Corporation.

Other brands and their products are trademarks or registered trademarks of their respective holders.

The embedded software in your printer is based in part on the work of the Independent JPEG Group.

The copyrights to certain photos within this document are retained by the original owners.

#### Regulatory Model Identification Number

For regulatory identification purposes, your product is assigned a Regulatory Model Number. The Regulatory Model Number for your product is SDGOA-0377. This regulatory number should not be confused with the marketing name (hp photosmart 7700 series printer) or product numbers (Q3015A, Q3016A).

## safety information

Always follow basic safety precautions when using this product to reduce risk of injury from fire or electric shock.

**Warning!** To prevent fire or shock hazard, do not expose this product to rain or any type of moisture.

**Warning!** Potential shock hazard.

- Read and understand all instructions in the *HP Photosmart Setup Guide*.
- Use only a grounded electrical outlet when connecting the unit to a power source. If you do not know whether the outlet is grounded, check with a qualified electrician.
- Observe all warnings and instructions marked on the product.
- Unplug this product from wall outlets before cleaning.
- Do not install or use this product near water or when you are wet.
- Install the product securely on a stable surface.
- Install the product in a protected location where no one can step on or trip over the power cord, and where the power cord will not be damaged.
- If the product does not operate normally, see the troubleshooting information in the HP Photosmart Printer Help.
- There are no operator serviceable parts inside. Refer servicing to qualified service personnel.
- Use in a well-ventilated area.



# contents

<b>1</b>	<b>get started</b>	<b>1</b>
	welcome	1
	find information	2
	view the hp photosmart printer help	2
	print the hp photosmart printer help	2
	what's in the box	3
	printer parts	4
	front	4
	back	4
	control panel	5
	indicator lights	5
	input bay	6
	menu structure	6
	paper information	7
	load paper in the in tray	8
	load paper in the photo tray	9
	print cartridge information	10
	supported print cartridges	10
	install or replace print cartridges	11
	ink-backup printing mode	13
	print cartridge storage	14
<b>2</b>	<b>set the defaults on your printer</b>	<b>15</b>
	keep or discard print settings after printing	15
	set the number of copies	16
	set the photo size	16
	set borderless printing	17
	set paper detection	18
	unmark camera-selected photos	18
	revert to the factory default settings	19
	set LCD screen language and country/region	19
	set print quality	20
<b>3</b>	<b>print from a memory card</b>	<b>21</b>
	supported memory cards	21
	supported file formats	22
	insert a memory card	22
	remove a memory card	25
	decide which photos to print or to send via e-mail	26
	view photos from the LCD screen	26
	use 9-up view mode	26
	print a photo index page	27
	print a proof sheet	28

scan a proof sheet . . . . .	29
select a photo . . . . .	30
deselect a photo . . . . .	30
print photos from a memory card . . . . .	30
print unmarked photos on a memory card. . . . .	31
print camera-selected photos. . . . .	31
print new photos . . . . .	32
<b>4 print from the direct-printing port . . . . .</b>	<b>33</b>
connect your hp digital camera to the direct-printing port . . . .	33
adjust print settings . . . . .	34
connect your notebook computer to the direct-printing port . . .	35
<b>5 print from your computer . . . . .</b>	<b>37</b>
print from your Windows PC . . . . .	37
print from a software application . . . . .	37
print borderless photos from your Windows PC . . . . .	38
use the Windows PC taskbar icons . . . . .	39
print from your Macintosh . . . . .	42
print from a software application (OS X or OS 9). . . . .	42
<b>6 troubleshooting . . . . .</b>	<b>45</b>
hardware problems . . . . .	45
printing problems . . . . .	46
error messages. . . . .	50
<b>7 specifications . . . . .</b>	<b>53</b>
recommended paper . . . . .	53
printer specifications . . . . .	54
<b>index. . . . .</b>	<b>57</b>



# get started

## welcome

Thank you for purchasing an HP Photosmart 7700 Series printer! With your new photo printer, you can print beautiful photos, save photos to your computer, and create fun and easy projects.

For information about:

- Printing photos stored on your memory card, see **print from a memory card** on page 21.
- Printing camera-selected photos stored on your memory card, see **print camera-selected photos** on page 31.
- Printing camera-selected photos by connecting your HP direct-printing digital camera to your printer, see **print from the direct-printing port** on page 33.
- Printing borderless photos from your Windows<sup>®</sup> PC, see **print borderless photos from your Windows PC** on page 38.
- Printing borderless photos from your Macintosh<sup>®</sup>, see **print from a software application (OS X or OS 9)** on page 42.
- Saving photos to your computer, see the HP Photosmart Printer Help. For information, see **view the hp photosmart printer help** on page 2.
- Adding borders, changing photo color effects, cropping photos, and other creative features, see the HP Photosmart Printer Help. For information, see **view the hp photosmart printer help** on page 2.
- E-mailing photos to your friends and family, see the HP Photosmart Printer Help. For information, see **view the hp photosmart printer help** on page 2.

## find information

Your new printer comes with the following documentation to help you get started and take full advantage of your printer's capabilities:

- **Setup Guide** — The *HP Photosmart Setup Guide* contains quick and easy instructions to help you set up your printer and install the printer software.
- **Basics Guide** — The *HP Photosmart 7700 Series Basics Guide* is the booklet you are reading. This booklet describes the basic features of your printer and contains hardware troubleshooting information.
- **Setup & Support Reference Guide** — The *HP Photosmart Setup & Support Reference Guide* explains how to install and set up the software that comes with your printer. This guide contains software troubleshooting information, describes how to get support from **www.hp.com/support**, and explains how to contact HP support.
- **HP Photosmart Printer Help** — The HP Photosmart Printer Help describes how to use the more advanced features of your new printer. The Printer Help includes information about printer care and maintenance, advanced troubleshooting, and error messages.

After you have installed the HP Photosmart printer software on your computer, you can view and print the HP Photosmart Printer Help. For more information, see the next section.

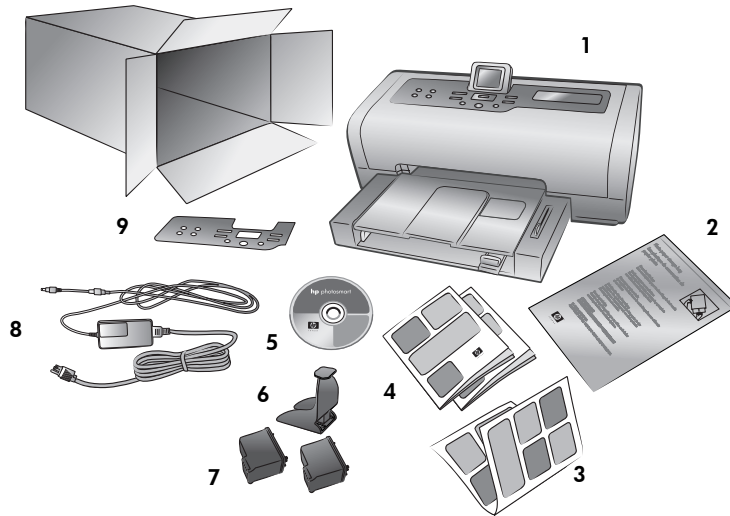
## view the hp photosmart printer help

- **Windows PC:** From the **Start** menu, select **Programs** (in Windows XP, select **All Programs**); **Hewlett-Packard; Photosmart 140, 240, 7200, 7600, 7700, 7900 Series; Photo & Imaging Director**. From the **Photo & Imaging Director**, click **Help**.
- **Macintosh:** Insert the HP Photosmart CD. In the **User Docs** folder, select your **language**, then double-click the **photosmart 7760.html** file.

## print the hp photosmart printer help

- **Windows PC:** Click **Print** in the top navigation bar of the HP Photosmart Printer Help window.
- **Macintosh:** Click in the frame you want to print. From the **File** menu, select **Print**, or click **Print** in the top navigation bar of the browser.

## what's in the box



Your printer box contains the following items:

**Note:** Some contents may vary by country and region.

- 1 The HP Photosmart 7700 Series printer
- 2 A photo paper storage bag
- 3 The *HP Photosmart 7700 Series Setup Guide*
- 4 The *HP Photosmart 7700 Series Basics Guide* and the *HP Photosmart Setup & Support Reference Guide*
- 5 The HP Photosmart 7700 Series printer software CD
- 6 A print cartridge protector
- 7 The HP #57 tri-color print cartridge and the HP #58 photo print cartridge
- 8 A power supply (power supplies may vary in appearance or have an additional power cord)
- 9 A faceplate

## printer parts

### front

#### Out tray

Remove this tray to load small media and to clear a paper jam

#### Top cover

Lift the top cover to change the print cartridges

#### LCD screen

Use this screen to view your photos and menu options

#### Paper catch

Lift this tray to load paper

#### Input bay door

Lift this door to access the memory card slots and the direct-printing port

#### Paper catch extension

Flip this guide open to catch the printed paper

#### Paper width guide

Adjust this guide to fit close to the edge of the paper in the In tray

#### Photo tray slider

Move this slider to engage or disengage the photo tray

#### In tray

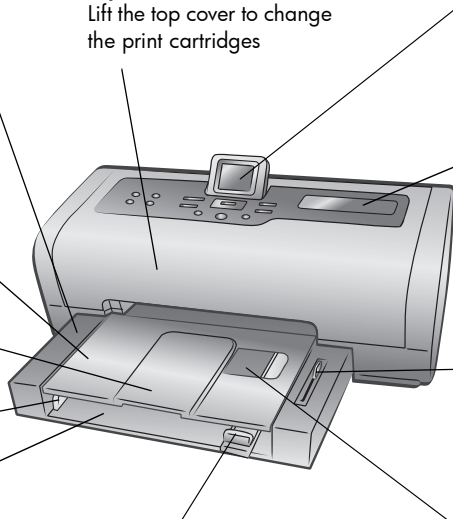
Place paper or envelopes in this tray for printing

#### Paper length guide

Adjust this guide to fit close to the end of the paper in the In tray

#### Photo tray

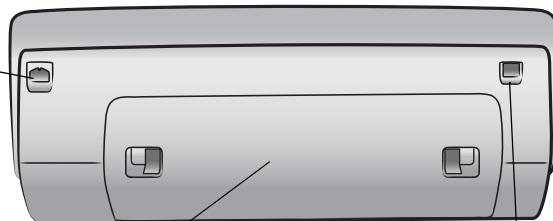
Lift the paper catch to load photo paper in the photo tray



### back

#### Power cord connection

Use this to connect the power cord included with the printer



#### Rear access door

Remove this door to clear a paper jam

#### USB port

Use this port to connect the printer to your computer



## control panel

### PRINT NEW PHOTOS

Press this button to automatically print the most recent photos on your that have not yet been printed

### ON

Press this button to turn on the printer or put it into power-save mode

### SAVE

Press this button to save photos from a memory card to your computer

### E-MAIL

Press this button to send a photo to an E-mail address

### ROTATE

Press this button to rotate the currently displayed photo

### MENU

Press this button to view the printer menu

### ZOOM +/ZOOM -

Press **ZOOM +** to enter into Zoom mode or press **ZOOM -** to view nine photos on the printer's LCD screen at a time

### SELECT PHOTOS ◀ ▶

Use these arrows to view all photos or to move the selection box on a zoomed photo

### OK

Press this button to select the current photo, to answer questions on the LCD screen, or to select menu options

### SIZE

Press this button to adjust the print size of your photos

### COPIES

Press this button to select the number of copies you want to print

### CANCEL

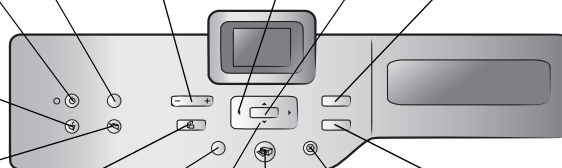
Press this button to deselect photos, to exit a menu, or to stop an action you have requested

### SELECT PHOTOS ▲ ▼

Use these arrows to view selected photos, to move the selection box on a zoomed photo, or to view menu selections

### PRINT

Press this button to print selected photos from a memory card



**Tip:** Press and hold a button to change its value rapidly. For example, press and hold the **SELECT PHOTOS ▶** button to move rapidly through the photos on a memory card.

## indicator lights

### On/Attention light

#### On (Green)

The power is on

#### Off

The printer is in power-save mode

#### Blinking (Green)

The printer is busy

#### Blinking (Red)

The printer requires attention

### Memory card light

#### On

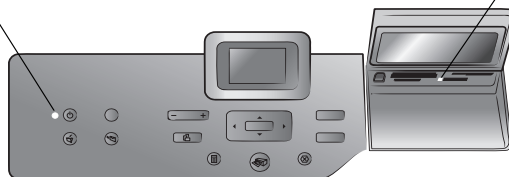
The memory card is inserted correctly

#### Off

No memory card is inserted

#### Blinking

Information is being transmitted between the memory card and the printer or computer



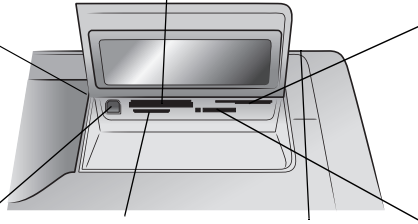
## input bay

### Input bay

Use this bay to insert a memory card or to connect your HP direct-printing digital camera or your notebook computer to the direct-printing port

**CompactFlash™/IBM® Microdrive memory card slot**  
You can insert a CompactFlash or an IBM Microdrive memory card into this slot

**SmartMedia™/xD-Picture Card™ memory card slot**  
You can insert a SmartMedia memory card into the upper portion of this slot or an xD-Picture Card memory card into the lower right portion of this slot



### Direct-printing port

Use this port to connect a notebook computer or an HP direct-printing digital camera to the printer

**MultiMediaCard™/Secure Digital™ memory card slot**  
You can insert a MultiMediaCard or a Secure Digital memory card into this slot

**Sony® Memory Stick memory card slot**  
You can insert a supported Sony Memory Stick memory card into this slot

## menu structure

Use this section to review options that are available from the main menu on your printer's LCD screen. To access the menu options, press the **MENU** button on the printer's control panel.

For more information about submenu options, see the HP Photosmart Printer Help. For information about accessing the HP Photosmart Printer Help, see **view the hp photosmart printer help** on page 2.

Menu Option	Choices
Print special	Print all Create album Print range Print index page Print proof sheet Scan proof sheet
Enhance image	Photo brightness Add frame Add color effect

Menu Option	Choices
Tools	Slide show Print quality Print sample page Print test page Clean cartridges Calibrate printer
Preferences	After printing # of copies Photo size Video print Add date/time Borderless Exif printing Improve contrast Extend colors Paper detect Camera selections Restore defaults Language

## paper information

You can print on a wide variety of paper types and sizes, from index cards and photo paper to envelopes and transparencies. For best results, use paper designed specifically for your projects. For example, if you are printing a photo, be sure to print on HP premium plus photo paper for the best photo quality.

**Note:** If you are printing from the computer and using HP specialty paper, select the paper type when you set the print settings. For more information, see **print from your computer** on page 37.

For a list of available HP-designed inkjet papers, or to purchase supplies, go to:

- [www.hpshopping.com](http://www.hpshopping.com) (U.S.)
- [www.hp-go-supplies.com](http://www.hp-go-supplies.com) (Europe)
- [www.hp.com/paper](http://www.hp.com/paper) (Asia/Pacific)
- [www.jpnp.hp.com/supply/inkjet](http://www.jpnp.hp.com/supply/inkjet) (Japan)

Different countries have different paper sizes. For instance, Europe uses A4 paper while the U.S. uses letter-size paper. To change the paper sizes that are available from the printer's LCD screen, change the LCD screen language and country/region settings. For more information, see **set LCD screen language and country/region** on page 19.

Your printer supports the following paper tray accessories that you can purchase separately:

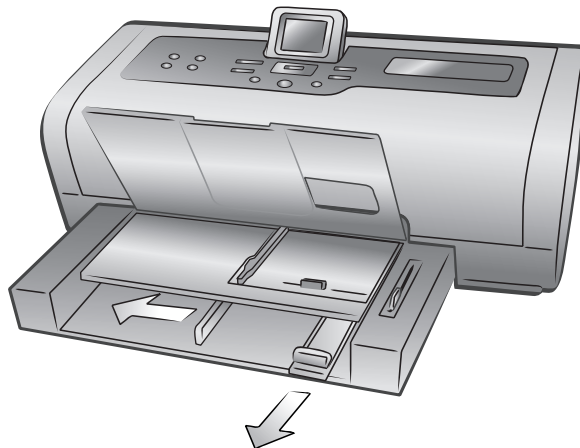
- Automatic Two-Sided Printing Accessory (HP C8955A) for double-sided printing
- 250-sheet plain paper tray (HP Q3447A), which holds a half ream of plain paper

## load paper in the in tray

You can print using many different types of paper in the In tray, including plain paper, HP photo paper, and HP premium inkjet transparency film. For more information about supported paper types and sizes, see **specifications** on page 53.

### To load paper in the In tray:

- 1 Lift the paper catch.



- 2 Pull out the paper length guide on the In tray and slide the paper width guide as far to the left as it will go.
- 3 Place a stack of paper in the In tray.
  - Load the paper with the side to be printed facing down.
  - Always load paper in the portrait orientation, with the shortest edge toward you.
  - Be careful not to use too much or too little paper. It may be difficult for the printer to pick up a sheet of paper when there are only one or two sheets in the In tray. Check that the stack of paper contains several sheets, but is no higher than the top of the paper length guide. For more information about the amount of paper to load in the In tray, see **specifications** on page 53.
  - Use one type and size of paper at a time. Do not mix paper types or sizes in the In tray.

- 4 Adjust the paper width guide and the paper length guide to fit close to the edges of the paper without bending the paper. This adjustment helps the paper feed straight into the printer.
- 5 Lower the paper catch.
- 6 Pull out the photo tray slider until it stops. This action disengages the photo tray so the printer uses the paper in the In tray.

### load paper in the photo tray

Use the photo tray when you want to print on 4 x 6 inch (10 x 15 cm) photo paper or L-size cards (3.5 x 5 inches, 90 x 127 mm).

**Note:** For information about storing and handling the photo paper, see the HP Photosmart Printer Help.

**Tip:** If you want to print 4 x 6 inch (10 x 15 cm) borderless photos, be sure to use HP premium plus photo paper, glossy 4 x 6 borderless. If you are printing from the control panel, check that your printer is set to print borderless photos. If you are printing from a software application, select the appropriate borderless paper size from the Print dialog box.

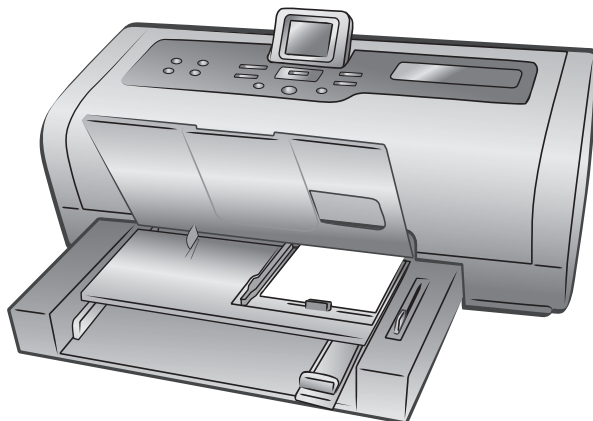
When you use the photo tray, you can leave paper in the In tray. If you run out of photo paper in the photo tray, the printer continues to print using paper from the In tray.

**Tip:** To print many photos at once, load the In tray with additional photo paper.

#### To load paper in the photo tray:

- 1 Pull out the photo tray slider until it stops. This action disengages the photo tray.
- 2 Lift the paper catch.
- 3 Pull out the photo tray paper length guide and slide the photo tray paper width guide as far to the left as it will go.
- 4 Place approximately 15 sheets of photo paper in the photo tray with the side to be printed facing down. If you are using tabbed paper, insert the paper so the tab feeds in last. The printed photo faces up on the paper catch.

**Note:** If you overload the photo tray, the printer may not be able to pick up the photo paper.



- 5 Adjust the photo tray paper length guide and paper width guide to fit close to the edges of the paper without bending the paper. This adjustment helps the paper feed straight into the printer.
- 6 Lower the paper catch.
- 7 Push the photo tray slider forward until it stops. The photo tray disappears from view in the photo tray window. This action engages the photo tray.

## print cartridge information

Your printer prints in color and in black and white. HP provides a range of print cartridges so that you can choose the best print cartridges for your project.

### supported print cartridges

Your printer supports the following print cartridges. Installing a print cartridge that is not in this table may invalidate your printer warranty.

To print...	Use these print cartridges...
Color or black and white documents	<b>HP #57 (C6657A)</b> — Tri-color print cartridge and <b>HP #56 (C6656A)</b> — Black print cartridge
Color photos	<b>HP #57 (C6657A)</b> — Tri-color print cartridge and <b>HP #58 (C6658A)</b> — Photo print cartridge
Black and white photos	<b>HP #57 (C6657A)</b> — Tri-color print cartridge and <b>HP #59 (C9359A)</b> — Photo gray print cartridge

When you install a print cartridge, match the number on the print cartridge to the number on the print cartridge latch. The printer holds two print cartridges at a time.

**Caution!** Check that you are using the correct print cartridges. Also, note that HP does not recommend modifying or refilling HP print cartridges. Damage that results from modifying or refilling HP print cartridges is not covered by HP's warranty.

You can interchange the following print cartridges in the **right** print cartridge carrier depending on your printing needs:

- HP #56 (C6656A) — Black print cartridge
- HP #58 (C6658A) — Photo print cartridge
- HP #59 (C9359A) — Photo gray print cartridge

## install or replace print cartridges

To get the best performance from your printer, use only genuine HP factory-filled print cartridges.

To get maximum use from your print cartridges, turn off the printer when it is not in use. Do not unplug the printer or turn off the power source (such as a power strip) until the On/Attention light is off. Turning off the printer allows the printer to store the print cartridges properly.

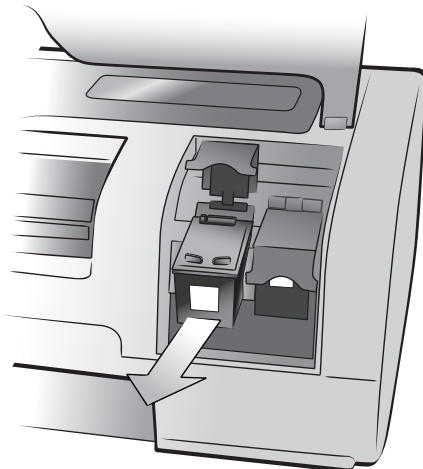
### To install or replace the print cartridges:

- 1 If the printer is off, press the **ON** button on the printer's control panel to turn on the printer.
- 2 Load plain paper in the In tray so the printer can print a calibration page after you install the print cartridges.
- 3 Lift the top cover of the printer.
- 4 Push down on the print cartridge latch and pull it forward. The print cartridge latch pops open.

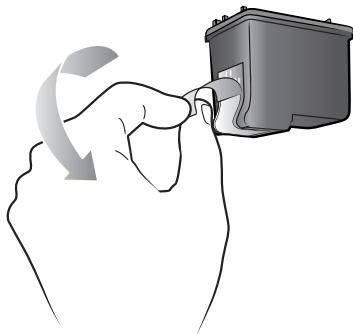


- 5 If you are replacing a print cartridge, slide out the old print cartridge and recycle or discard it.

**Note:** For information about recycling print cartridges, go to [www.hp.com/recycle](http://www.hp.com/recycle).



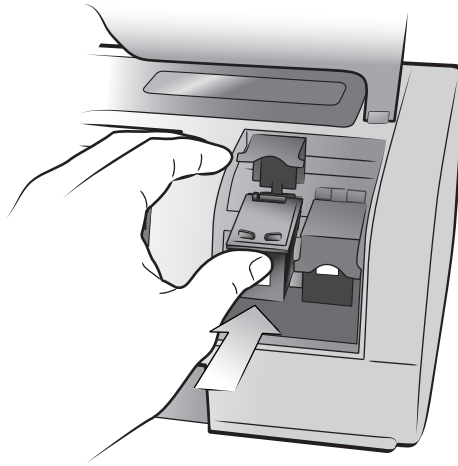
- 6 Take the new print cartridge out of its package.
- 7 Grasp the pink tab and gently peel off the plastic tape. Make sure you remove only the plastic tape. Be sure to install the print cartridge immediately after removing the tape; ink nozzles exposed longer than one minute may dry out and cause printing problems later. Once the tape is removed, do not attempt to replace it.



**Caution!** Do not touch the ink nozzles or the copper contacts on the print cartridge. Touching these parts may cause the print cartridge to fail.



- 8 Insert the print cartridge:
  - Hold the print cartridge so the copper contacts go into the printer first. Line up the ridges on the left and right sides of the top of the print cartridge with the grooves on the inside of the print cartridge cradle.
  - Carefully slide the print cartridge into the cradle under the metal bar, then firmly push the print cartridge in until it stops.



- Push down on the print cartridge latch until it locks.
- 9 Close the top cover and press the **OK** button. The printer prints a calibration page.

Your printer and print cartridges are calibrated to give you optimal printing results. You can discard the calibration page.

### ink-backup printing mode

Ink-backup Printing Mode allows you to keep printing even if one of your print cartridges fails or runs out of ink. If you receive a print cartridge error message on the printer's LCD screen or your computer monitor, remove the print cartridge and close the top cover to enter Ink-backup Printing Mode. You will see a message reminding you that you are in Ink-backup Printing Mode.

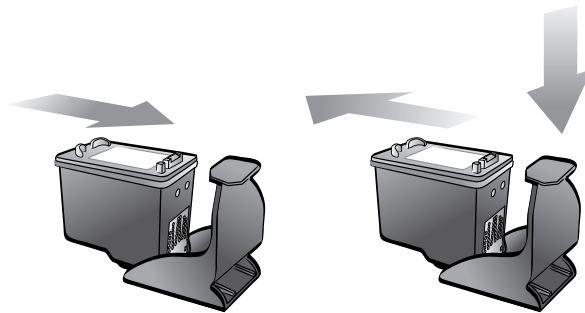
Printing in Ink-backup Printing Mode slows the printer and affects its print quality. Ink-backup Printing Mode will be used for all print jobs until the missing print cartridge is replaced. For more information about replacing print cartridges, see **install or replace print cartridges** on page 11.

## print cartridge storage

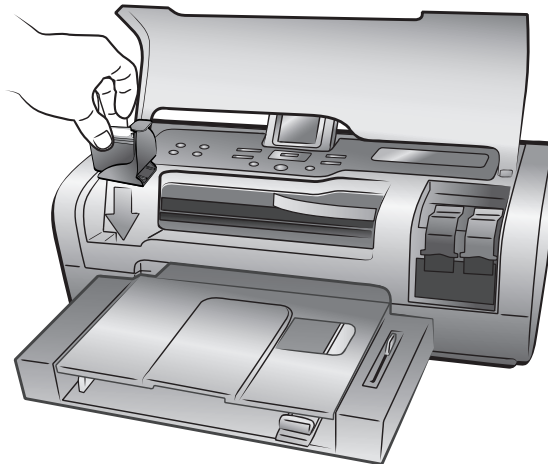
The print cartridge protector is designed to keep your print cartridge from drying out when it is not being used. Whenever you remove a print cartridge from the printer, store it in the print cartridge protector that came with your printer.

**Note:** It is important that you place the print cartridge into the print cartridge protector when it is not installed in the printer. Failure to properly store the print cartridge can cause the print cartridge to fail.

- To insert a print cartridge into the print cartridge protector, slide it into the print cartridge protector at a slight angle and snap it securely into place.
- To remove the print cartridge from the print cartridge protector, press down and back on the top of the print cartridge protector to release the print cartridge, and then slide the print cartridge out of the print cartridge protector.



Once you have placed the print cartridge into the print cartridge protector, you can store the print cartridge in the print cartridge storage area located in your printer.



# 2

## set the defaults on your printer

Your printer comes with default settings for features such as number of copies to print, photo size, language setting for the LCD screen, and other settings. You can change these settings to your preferences using the printer's control panel.

**Note:** When you print from your computer, the control panel settings on the printer do not apply. The software on your computer overrides the default settings you set using the printer's control panel.

For more information about other default setting options available from the control panel, see the HP Photosmart Printer Help.

### keep or discard print settings after printing

You can choose whether to keep or discard your current print settings and photo selections after each print job. The printer's default setting is to ask for print settings each time you print.

- 1 On the printer's control panel, press the **MENU** button.
- 2 Press the **SELECT PHOTOS** ▾ button until **Preferences** appears highlighted on the LCD screen, and then press the **OK** button.
- 3 Press the **SELECT PHOTOS** ▾ button until **After printing** appears highlighted on the LCD screen, and then press the **OK** button.
- 4 Select from the following options:
  - **Always** if you want the printer to always keep the current print settings after a print job
  - **Never** if you want the printer to reset all print settings to the default settings after a print job
  - **Ask** if you want the printer to ask after each print job whether to keep the current print settings
- 5 With your selection highlighted on the LCD screen, press the **OK** button.

## set the number of copies

By default, your printer prints one copy of each photo. You can set the printer to print up to 99 copies of each photo.

This setting applies whenever you select photos and press the **OK** button to print them. You can override this setting for the currently displayed photo by pressing the **COPIES** button and changing the number of copies for that photo before printing. If you override the setting for a currently displayed photo, all other photos will still use the number of copies set in the **Preferences** menu.

- 1 On the printer's control panel, press the **MENU** button.
- 2 Press the **SELECT PHOTOS** ▾ button until **Preferences** appears highlighted on the LCD screen, and then press the **OK** button.
- 3 Press the **SELECT PHOTOS** ▾ button until **# of copies** appears highlighted on the LCD screen, and then press the **OK** button.
- 4 Press the **SELECT PHOTOS** ▲ or ▾ button to increase or decrease the default number of copies, and then press the **OK** button.

## set the photo size

You can print the photos from a memory card in a variety of sizes. Different countries and regions have different paper and photo sizes. For instance, Europe uses 8.27 x 11.7 inch (210 x 297 mm) paper while the U.S. uses 8.5 x 11 inch (216 x 280 mm) paper. To change the paper and photo sizes that are available from the printer's LCD screen, you must change the printer's language and country/region settings. For more information, see **set LCD screen language and country/region** on page 19.

You can select your default photo size from the following sizes:

Country/region	Photo sizes
U.S./Canada (inches)	4 x 6 2 1/2 x 3 1/4 3 x 4 3 1/2 x 5 5 x 7 8 x 10 8 1/2 x 11 Combo
Europe (cm)	6 x 8 9 x 13 10 x 15 13 x 18 15 x 21 18 x 24 20 x 25 21 x 30 Combo

**Note:** **Combo** prints five photos on one sheet—two photos at 4 x 6 inch (10 x 15 cm) and three photos at 2.5 x 3.25 inch (6 x 8 cm).

The default size applies whenever you select photos and print them by pressing the **OK** button. You can override the default for the currently displayed photo by pressing the **SIZE** button and changing the size before printing.

- 1 On the printer's control panel, press the **MENU** button.
- 2 Press the **SELECT PHOTOS** ▾ button until **Preferences** appears highlighted on the LCD screen, and then press the **OK** button.
- 3 Press the **SELECT PHOTOS** ▾ button until **Photo size** appears highlighted on the LCD screen, and then press the **OK** button.
- 4 Press the **SELECT PHOTOS** ▲ or ▾ button until the photo size you want appears on the LCD screen, and then press the **OK** button.

## set borderless printing

By default, your printer prints photos without borders so that photos print to the edges of the photo paper. If you choose to turn this feature on, photos on the supported paper sizes will print without borders. If you choose to turn this feature off, all photos will print with borders.

Borderless printing is supported for 4 x 6 inch (10 x 15 cm) paper, 8.5 x 11 inch (216 x 280 mm) paper, and 8.27 x 11.7 inch (210 x 297 mm) paper. Paper in other sizes will have borders even if you turn borderless printing on. This is not an error; it is caused by the way the printer handles the paper.

**Note:** Paper size availability varies by country/region.

If you print on 4 x 6 inch (10 x 15 cm) photo paper that does not have a tab, the photo will be borderless on all sides. On 4 x 6 inch photo paper with 0.5 inch tab (10 x 15 cm with 1.25 cm tab), the photo prints without borders on three sides and with a small border on the bottom edge.

**Note:** Borderless printing is not the default setting when you print photos from your computer. The software application you are using to print photos determines the setting.

- 1 On the printer's control panel, press the **MENU** button.
- 2 Press the **SELECT PHOTOS** ▾ button until **Preferences** appears highlighted on the LCD screen, and then press the **OK** button.
- 3 Press the **SELECT PHOTOS** ▾ button until **Borderless** appears highlighted on the LCD screen, and then press the **OK** button.
- 4 Press the **SELECT PHOTOS** ▾ button to highlight **On** or **Off**, and then press the **OK** button.

## set paper detection

The printer automatically detects the paper size and type by scanning the paper in the In tray or the photo tray. You can set the printer to ask for the paper size and type each time you print by turning the paper detection sensor off. By default, this option is set to **On**.

**Note:** The printer does not automatically detect the paper type and size when borderless printing is turned on. For more information, see **set borderless printing** on page 17.

**Note:** The **Paper detection** setting applies to print jobs that you start from the printer's control panel. If you want the printer to use its auto sensors when you start print jobs from your computer, select **Automatic** as the paper type in the printer preferences dialog box. For more information, see the HP Photosmart Printer Help.

- 1 On the printer's control panel, press the **MENU** button.
- 2 Press the **SELECT PHOTOS** ▾ button until **Preferences** appears highlighted on the LCD screen, and then press the **OK** button.
- 3 Press the **SELECT PHOTOS** ▾ button until **Paper detect** appears highlighted on the LCD screen, and then press the **OK** button.
- 4 Press the **SELECT PHOTOS** ▾ button to highlight **On** or **Off**, and then press the **OK** button.

## unmark camera-selected photos

After printing camera-selected photos from your printer, a message appears on the LCD screen asking if you want to unmark the photos. You can change this setting so that the printer will automatically unmark your photos, never unmark your photos, or ask if you want to unmark your photos.

- 1 On the printer's control panel, press the **MENU** button.
- 2 Press the **SELECT PHOTOS** ▾ button until **Preferences** appears highlighted on the LCD screen, and then press the **OK** button.
- 3 Press the **SELECT PHOTOS** ▾ button until **Camera selections** appears highlighted on the LCD screen, and then press the **OK** button.
- 4 Select from the following:
  - **Always** if you want the printer to unmark the camera-selected photos after printing
  - **Never** if you want the printer to leave the camera-selected photos marked after printing
  - **Ask** if you want the printer to ask each time after you print camera-selected photos
- 5 With your selection highlighted on the LCD screen, press the **OK** button.

## revert to the factory default settings

If you made adjustments to the default settings, you can reset the printer to the original factory settings at any time. To revert to the factory default settings, follow these steps.

**Note:** The language and country/region settings you chose will not change if you revert back to the factory default settings.

- 1 On the printer's control panel, press the **MENU** button.
- 2 Press the **SELECT PHOTOS** ▾ button until **Preferences** appears highlighted on the LCD screen, and then press the **OK** button.
- 3 Press the **SELECT PHOTOS** ▾ button until **Restore defaults** appears highlighted on the LCD screen, and then press the **OK** button.
- 4 Press the **SELECT PHOTOS** ▾ button to highlight **Yes** or **No**, and then press the **OK** button.

## set LCD screen language and country/region

Use the **Language** option to change the language of the LCD screen prompts on the printer. The country/region setting determines what photo and paper sizes the printer's LCD screen displays. To change the language and country/region settings on your printer, follow these steps.

**Note:** The language and country/region settings will not change if you revert to the factory default settings. You can change the language and country/region settings only by following the steps in this section.

- 1 On the printer's control panel, press the **MENU** button.
- 2 Press the **SELECT PHOTOS** ▾ button until **Preferences** appears highlighted on the LCD screen, and then press the **OK** button.
- 3 Press the **SELECT PHOTOS** ▾ button until **Language** appears highlighted on the LCD screen, and then press the **OK** button.

A list of languages appears on the LCD screen.

- 4 Press the **SELECT PHOTOS** ▾ button until your desired language appears highlighted on the LCD screen, and then press the **OK** button.
- 5 Press the **SELECT PHOTOS** ▾ button to highlight **Yes** to confirm your language selection, and then press the **OK** button.

A list of countries and regions appears on the LCD screen.

- 6 Press the **SELECT PHOTOS** ▾ button until your desired country or region appears highlighted on the LCD screen, and then press the **OK** button.

The prompts and options on your printer's LCD screen now appear in the language you selected.

## set print quality

When printing photos, you can change the print quality from the control panel.

**Best** quality is the default print quality and produces the best quality prints.

**Normal** quality conserves ink and prints faster. To change the print quality, follow these steps.

**Note:** The **Normal** print quality setting applies to only the next print job. The print quality is reset to **Best** quality when the print job is complete or is cancelled.

- 1 On the printer's control panel, press the **MENU** button.
- 2 Press the **SELECT PHOTOS** ▾ button until **Tools** appears highlighted on the LCD screen, and then press the **OK** button.
- 3 Press the **SELECT PHOTOS** ▾ button until **Print quality** is highlighted on the LCD screen. Press the **OK** button.
- 4 Select from the following:
  - **Best** to print the highest quality photos
  - **Normal** to print normal quality photos
- 5 With your selection highlighted on the LCD screen, press the **OK** button.



# 3

## print from a memory card

It's easy to print high-quality photos for yourself, family, and friends. If your digital camera uses a memory card to store photos, you can insert the memory card into the printer to print your photos. Messages on the printer's LCD screen guide you through the process—you don't have to turn on your computer or even have your printer connected to a computer!

**Note:** You can also print photos using your computer. For more information, see **print from your computer** on page 37.

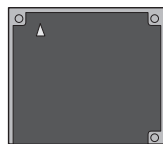
### supported memory cards

Your HP Photosmart printer can read the following memory cards:

CompactFlash Association (CFA) certified Type I and II, IBM Microdrive, MultiMediaCard, Secure Digital, SmartMedia, Sony Memory Sticks, xD-Picture Card

These cards are manufactured by several vendors and are available in a variety of storage capacities. You can purchase memory cards where you purchased your digital camera or at most computer supply stores.

**Caution!** Using any other type of memory card may damage the memory card and the printer.



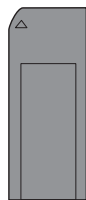
IBM Microdrive



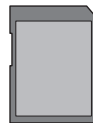
CompactFlash  
Type I and II



SmartMedia



Sony Memory Sticks



Secure Digital



MultiMediaCard



xD-Picture Card

## supported file formats

You can print certain file formats directly from the memory card. If your digital camera supports file formats that are not supported by your printer, you must first save the photos to your computer and then print them using a software application.

For more information about supported image and video file formats, see **printer specifications** on page 54.

For more information about saving files to your computer, see the HP Photosmart Printer Help.

## insert a memory card

After you have taken pictures with your digital camera, remove the memory card from your camera and insert it into your printer to view the photos. You can print photos immediately or save the photos to your computer.

When the memory card is inserted correctly, the memory card light blinks and then remains solid.

**Caution!** Do not pull out the memory card while the memory card light is blinking. Removing a memory card while it is being accessed may damage the printer or the memory card, or corrupt the information on the memory card. For more information, see **remove a memory card** on page 25.

### To insert a memory card:

- 1 Lift the Input bay door.
- 2 Remove any memory cards that are already inserted into any of the memory card slots.

**Caution!** Do not pull out a memory card while the memory card light is blinking. For more information, see **remove a memory card** on page 25.

- 3 Hold the memory card so the correct side faces up. To determine the correct orientation of your memory card, see the table after these steps.

If you are using a Sony Memory Stick Duo™ memory card, attach the adapter that came with the memory card before you insert it into the printer's memory card slot.

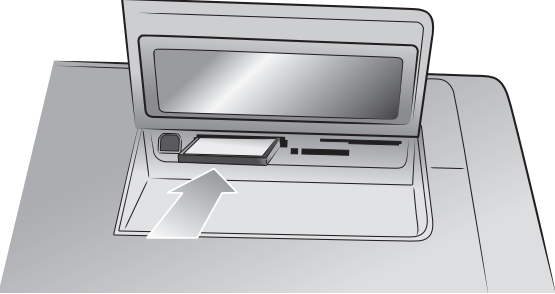
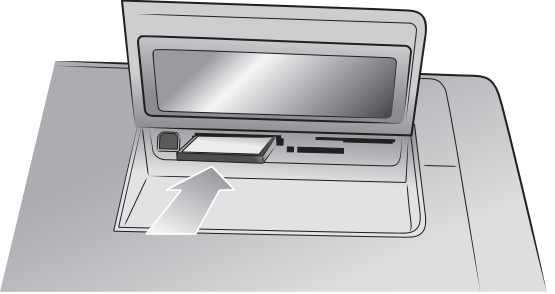
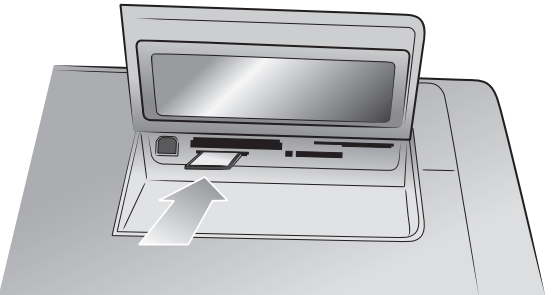
- 4 Insert the memory card into the appropriate memory card slot. The end with the metal contacts or pinholes must go into the printer first.

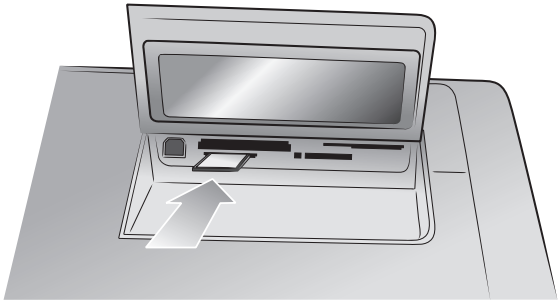
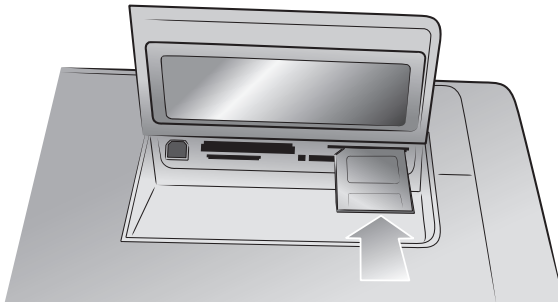

**Caution!** Inserting the memory card any other way may damage the memory card or the printer.

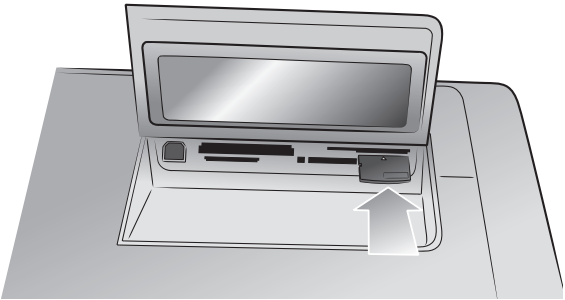
- 5 Gently push the memory card into the printer until it stops. The memory card may not insert all the way into the printer. Forcing the memory card into the printer too far may damage the memory card or the printer.

If you insert a SmartMedia memory card upside down, the red On/Attention light will begin blinking. Remove the memory card and reinsert it properly.

**Note:** If you have camera-selected photos stored on the memory card, a message appears on the LCD screen asking if you want to print the camera-selected photos. For more information, see **print camera-selected photos** on page 31 and **unmark camera-selected photos** on page 18.

Memory card	Memory card slot	How to hold and insert the memory card
CompactFlash Type I or II	Top left slot	<ul style="list-style-type: none"> <li>• Front label faces up, and if the label has an arrow, the arrow points toward the printer</li> <li>• Pinholes insert into the printer first</li> </ul> 
IBM Microdrive	Top left slot	<ul style="list-style-type: none"> <li>• Front label faces up, and if the label has an arrow, the arrow points toward the printer</li> <li>• Pinholes insert into the printer first</li> </ul> 
MultiMediaCard	Bottom left slot	<ul style="list-style-type: none"> <li>• Label faces up, angled corner is on the right, and arrow points toward the printer</li> <li>• Metal contacts face down</li> </ul> 

Memory card	Memory card slot	How to hold and insert the memory card
Secure Digital	Bottom left slot	<ul style="list-style-type: none"> <li>• Label faces up and angled corner is on the right</li> <li>• Metal contacts face down</li> </ul> 
SmartMedia	Upper portion of the top right double slot	<ul style="list-style-type: none"> <li>• Angled corner is on the left, and if the label has an arrow, the arrow points toward the printer</li> <li>• Metal contacts face down</li> </ul> 
Sony Memory Sticks	Bottom right slot	<ul style="list-style-type: none"> <li>• Angled corner is on the left and arrow points toward the printer</li> <li>• Metal contacts face down</li> </ul> 

Memory card	Memory card slot	How to hold and insert the memory card
xD-Picture Card	Lower right portion of the top right double slot	<ul style="list-style-type: none"> <li>• Label faces up and arrow points toward the printer</li> <li>• Metal contacts face down</li> </ul> 

## remove a memory card

Use the procedures in this section to safely remove the memory card from the printer's memory card slot.

**Caution!** Do not pull out the memory card while the memory card light is blinking. A blinking light means that the printer is accessing the memory card. Wait until the memory card light remains solid. Removing a memory card while it is being accessed may damage the printer and the memory card or corrupt the information on the memory card.

### remove the memory card when the printer is not connected to a computer

- ▶ Once the memory card light stops blinking, gently pull the memory card to remove it from the printer's memory card slot.

### remove the memory card when the printer is connected to a Windows PC

- 1 If the memory card light is blinking, wait for it to stop.
- 2 With the memory card still inserted in the printer, right-click the memory card icon in the Windows taskbar.
- 3 When the menu appears, select **Prepare to remove card**.
- 4 When prompted on the computer screen, click **OK**.  
It is now safe to remove the memory card from the printer.
- 5 Pull the memory card to remove it from the printer's memory card slot.

### remove the memory card when the printer is connected to a Macintosh computer

- 1 With the memory card still inserted in the printer, drag the memory card icon from the desktop to the Trash.
- 2 Wait until the memory card light stops blinking, then remove the memory card from the printer's memory card slot.

## decide which photos to print or to send via e-mail

You can decide which photos to print or send via E-mail by viewing the photos on the printer's LCD screen, printing a photo index page, or by printing a proof sheet.

You can view the photos on the printer's LCD screen, print a photo index page, or print a proof sheet to decide which photos you want to print. A photo index page shows thumbnail views and index numbers of the photos on the memory card. A proof sheet shows thumbnail views of all photos stored on the memory card and provides spaces for you to select photos to print, specify the number of copies to print, and select photo size and layout.

For more information about printing photos from a memory card, see **print photos from a memory card** on page 30.

You can view the photos on your printer's LCD screen or print an index page to decide which photos you want to send via E-mail. For more information about sending photos via E-mail, see the HP Photosmart Printer Help.

### view photos from the LCD screen

After you insert a memory card into the printer, you can use the **SELECT PHOTOS** ◀ or ▶ button to view all the photos on the memory card, press the **OK** button to select the currently displayed photo, and use the **SELECT PHOTOS** ▲ or ▼ button to view only the photos you have selected.

Press the arrows briefly to view the photos one by one. Press and hold the arrows to view the photos rapidly. When you reach the last photo in either direction, the printer cycles back to the first or last photo and continues.

If you would like to view nine photos on the LCD screen at a time, see **use 9-up view mode** on page 26.

You can use the printer's LCD screen to view the first 2000 photos on a memory card. If your memory card contains more than 2000 photos, save the photos to your computer and access them from there.

For more information about saving photos to your computer, see the HP Photosmart Printer Help.

### use 9-up view mode

After you insert a memory card into the printer, you can view nine photos at a time on the LCD screen.

Photos that you select using the 9-up view mode will print using the default settings selected in the **Preferences** menu. Press the **ZOOM -** button to exit 9-up view mode and return to normal view mode to change the settings for the current photo. For more information about changing the settings for selected photos, see the HP Photosmart Printer Help.

- 1 Insert a memory card into the printer's memory card slot and wait for the first photo stored on the memory card to appear on the LCD screen.
- 2 On the printer's control panel, press the **ZOOM -** button to view nine photos on the LCD screen at a time.

- 3 Use the arrows on the **SELECT PHOTOS** button to scroll through the photos.
- 4 Press the **ZOOM +** button to view the highlighted photo in normal view mode
 

**Note:** At this point, you can enhance the photo, rotate the photo, or change the default settings for the photo displayed on the LCD screen. For more information, see the HP Photosmart Printer Help.
- 5 Once you are finished viewing the photo or making changes to the photo before printing, you can return to 9-up view mode by pressing the **ZOOM -** button.
- 6 Press the **OK** button to select the highlighted photo. The printer icon displays in the bottom right corner of the selected photo.
 

**Note:** You can use the printer's LCD screen to view the first 2000 photos on a memory card. If your memory card contains more than 2000 photos, save the photos to your computer and access them from there. For more information about saving photos to your computer, see the HP Photosmart Printer Help.

### print a photo index page

A photo index page shows thumbnail views and index numbers of the photos on the memory card. The photos appear in the order in which they are stored on the memory card. Depending on the number of photos stored on the memory card, a photo index page could be several pages long. To accommodate the maximum number of photos on each photo index page, the printer may change the orientation of the photos.

Index numbers appear in the lower left corner of each thumbnail. Use the index numbers to decide which photos to print. If you use your digital camera or computer to add or delete photos from the memory card, reprint a photo index page to see the new index numbers.

**Note:** The index number on the photo index page may be different than the index number associated with the photo in your digital camera.

- 1 Insert a memory card into the printer's memory card slot and wait for the first photo stored on the memory card to appear on the LCD screen.
- 2 On the printer's control panel, press the **MENU** button.
- 3 Press the **SELECT PHOTOS** ▾ button until **Print Special** appears highlighted on the printer's LCD screen, and then press the **OK** button.
- 4 Press the **SELECT PHOTOS** ▾ button until **Print index page** appears highlighted on the printer's LCD screen, and then press the **OK** button.

An index page prints all photos stored on the memory card.

For more information, see **select a photo** on page 30 and **print photos from a memory card** on page 30.

## print a proof sheet

A proof sheet, which may be several pages long, shows thumbnail views of all the photos stored on the memory card. A proof sheet is different than a photo index page because it provides spaces for you to select photos to print, specify the number of copies to print, and select the photo size and layout. It is a simple and convenient way to make prints directly from a memory card.

You can use the photo number on the proof sheet to select which photos to print. The photo number on the proof sheet may be different than the photo number associated with the photo in your digital camera. If you add or delete photos from your memory card, reprint the proof sheet to see the new photo numbers.

- 1 Insert a memory card into the printer's memory card slot and wait for the first photo stored on the memory card to appear on the LCD screen.
- 2 Load several sheets of plain paper in the printer's In tray.
- 3 On the printer's control panel, press the **MENU** button.
- 4 Press the **SELECT PHOTOS** ▾ button until **Print special** appears highlighted on the printer's LCD screen, and then press the **OK** button.
- 5 Press the **SELECT PHOTOS** ▾ button until **Print proof sheet** appears highlighted on the printer's LCD screen, and then press the **OK** button.
- 6 Press the **SELECT PHOTOS** ▾ button to select from the following:
  - **New photos**—Select to print a proof sheet of any photos that have not previously been printed from the control panel, and then press the **OK** button
  - **All photos**—Select to print a proof sheet of all photos on the memory card, and then press the **OK** button
- 7 Press the **OK** button to print the proof sheet.





Once the proof sheet has printed, you can mark the proof sheet to indicate the photos you want to print, the size of the photos, and the number of photo copies you want to print. You can then scan the proof sheet into the printer, and the printer will print the selected photos to your specifications. For more information about how to select photos on a proof sheet then scan it into the printer, see the next section.

### scan a proof sheet

After you print a proof sheet, you can use it to print specific photos from your memory card.

- 1 Select the photos you want to print by filling in the circle below each photo with a dark pen.
- 2 Select only one choice each in the number of copies section and the layout section.

**Note:** If you make more than one selection in either of these sections, an error appears on the LCD screen, and you will need to print a new proof sheet and start over.

- 3 Make sure that the memory card is inserted in the memory card slot on the printer's control panel.
- 4 On the printer's control panel, press the **MENU** button.
- 5 Press the **SELECT PHOTOS** ▾ button until **Print special** appears highlighted on the printer's LCD screen, and then press the **OK** button.
- 6 Press the **SELECT PHOTOS** ▾ button until **Scan proof sheet** appears highlighted on the printer's LCD screen, and then press the **OK** button.

A message appears on the LCD screen instructing you how to insert the proof sheet.

- 7 Load the proof sheet in the In tray with the printed side facing down and the top of the page facing toward the printer.
- 8 Press the **OK** button to start the scanning process.

After the proof sheet is scanned, a message appears on the LCD screen prompting you to load the correct paper for the print job.

- 9 Load the correct paper for printing your photos in the In tray, and then press the **OK** button to print the photos that you selected.

**Note:** The printer can only scan one proof sheet at a time. Repeat steps 1–9 for each proof sheet you want to scan.

## select a photo

Once you have decided which photos on your memory card you want to print, you can use the printer's control panel to select those photos for printing. For more information, see **decide which photos to print or to send via e-mail** on page 26.

- 1 Insert a memory card into the printer's memory card slot and wait for the first photo stored on the memory card to appear on the LCD screen.
- 2 Press the **SELECT PHOTOS** ◀ or ▶ button to navigate through the photos on the memory card.
- 3 Press the **OK** button when the photo you want to print appears on the LCD screen. The print settings and a printer icon appear on the LCD screen to indicate a photo has been selected.

To select additional photos, repeat steps 2 and 3. Once you have finished selecting your photos, you can print them. For more information, see **print photos from a memory card** on page 30.

## deselect a photo

You can use the printer's control panel to deselect photos that you do not want to print.

- 1 Press the **SELECT PHOTOS** ◀ or ▶ button to navigate through the photos on the memory card.
- 2 When the photo you want to deselect is displayed on the LCD screen, press the **CANCEL** button. The printer deselects the currently displayed photo and returns the print settings for the photo to the default settings.

**Note:** To deselect all selected photos, press the **CANCEL** button twice. All selected photos will be deselected.

## print photos from a memory card

Your printer can print digital photos that are stored on your memory card. Digital photos may be unmarked or camera-selected. For a list of supported digital photo file types, see **specifications** on page 53.

**Note:** Before you start printing, make sure that you have paper loaded in the appropriate tray. For more information, see **paper information** on page 7.

For more information about printing photos from a memory card, see the HP Photosmart Printer Help.

## print unmarked photos on a memory card

Unmarked digital photos are standard digital photos that you stored on the memory card but have not marked for printing. Not all digital cameras allow you to mark your photos for printing.

- 1 Insert a memory card into the printer's memory card slot.
- 2 Press the **SELECT PHOTOS** ◀ or ▶ button to navigate through all photos on the memory card.
- 3 Press the **OK** button when the photo you want to print appears on the printer's LCD screen.

To print multiple photos, repeat steps 2 and 3 until all photos you want to print are selected.

**Note:** At this point, you can print multiple copies of the selected photos. You can also change the default size of the selected photos. For more information, see the HP Photosmart Printer Help.

- 4 Press the **PRINT** button to begin printing the selected photos.

## print camera-selected photos

Camera-selected photos are photos you marked for printing using your digital camera. Not all digital cameras allow you to mark your photos for printing. When you select photos using your camera, the camera creates a Digital Print Order Format (DPOF) file that identifies which photos have been selected for printing.

Your printer can read the DPOF file from the memory card so you do not have to reselect the photos to print. Review the documentation that came with your digital camera to see if it supports camera-selected photos. Your printer supports DPOF file format 1.1.

- 1 Use your digital camera to select the photos you want to print. For more information, see the documentation that came with your camera.
- 2 Insert the memory card into the printer's memory card slot.
- 3 The printer automatically recognizes the camera-selected photos on the memory card and asks if you want to print them. Press the **SELECT PHOTOS** ▼ button to highlight **Yes**, and then press the **OK** button.
- 4 A message appears on the printer's LCD screen asking if you are using 4 x 6 inch (10 x 15 cm) photo paper. If you are, press the **SELECT PHOTOS** ▼ button to highlight **Yes**, and then press the **OK** button.

If you are not using 4 x 6 inch (10 x 15 cm) paper, press the **SELECT PHOTOS** ▼ button to highlight **No**, and then press the **OK** button. The printer automatically determines the size of the loaded paper.

The printer prints the camera-selected photos.

For more information, see the following topics:

- **unmark camera-selected photos** on page 18
- **connect your hp digital camera to the direct-printing port** on page 33

## print new photos

The **PRINT NEW PHOTOS** button allows you to print all photos on a memory card that have not previously been printed from the memory card.

Each time you insert a memory card into the printer's memory card slot and print photos using the printer's control panel, the printer tags the photos so that the next time you insert the same memory card, the printer will "remember" that the photos have already been printed. If you take new photos and store them on the same memory card, then the next time you insert the memory card into the printer's memory card slot you can use the **PRINT NEW PHOTOS** button to print only the new photos you have taken since you last inserted the memory card.

**Note:** If you print or modify your photos using a computer, the tags on the photos placed by the printer might be removed, causing previously printed photos to be selected as new photos.

- 1 Insert a memory card into the printer's memory card slot and wait for the first photo stored on the memory card to appear on the LCD screen.
- 2 Press the **PRINT NEW PHOTOS** button to print any photos on the memory card that have not previously been printed.

A print summary with the number of new photos selected to print appears on the LCD screen.

**Note:** At this point, you can print multiple copies of the selected photos. You can also change the default size of the selected photos. For more information, see the HP Photosmart Printer Help.

- 3 Press the **PRINT** button to start printing all new photos.

# 4

## print from the direct-printing port

For quick and easy printing, your printer allows you to connect a notebook computer or an HP direct-printing digital camera to the direct-printing port located on the front of the printer.

To print using the direct-printing port, you must first install the HP Photosmart printer software on your notebook computer using the USB port located in the back of your printer. The first time you connect your notebook computer to the direct-printing port, your operating system will automatically reconfigure the software so you can print using that port. For information about installing the software on your notebook computer, see the *HP Photosmart Setup Guide* that came with your printer.

**Note:** If your direct-printing digital camera has a docking station, you can connect the docking station to the printer's USB port. For more information, see the documentation that came with the docking station.

### connect your hp digital camera to the direct-printing port

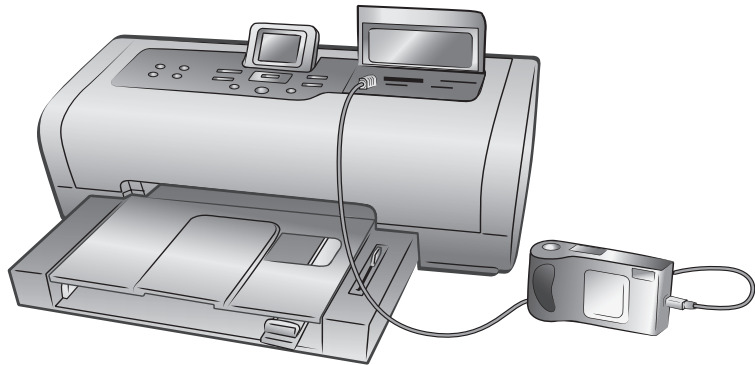
Your printer allows you to print beautiful photos from an HP direct-printing digital camera without using your computer.

To see a list of the HP direct-printing digital cameras that work with your printer, go to [www.hp.com/support](http://www.hp.com/support), select your country or region, and type **direct-printing digital cameras** in the search window.

After you use your HP direct-printing digital camera to select photos for printing, you can print your photos by connecting your camera to the direct-printing port.

#### To print by connecting your hp direct-printing digital camera to your printer:

- 1 Use the Share menu on your HP direct-printing digital camera to select the photos you want to print. For more information, see the documentation that came with your camera.
- 2 Connect the digital camera to the direct-printing port on the **front** of your printer using the USB cable that came with the camera. The direct-printing port is located under the input bay door, to the left of the memory card slots.



- 3 When you connect your digital camera to the printer, a Print Setup menu appears on the camera's LCD screen. Use this menu to:
  - Change the photos you have selected for printing
  - Select the paper type
  - Select the paper size
- 4 When you are ready to print, follow the instructions on your camera's LCD screen.

**Note:** For more information about selecting photos on your digital camera, see the documentation that came with your digital camera.

### adjust print settings

When you print directly from your HP direct-printing digital camera, the printer uses the print settings that you selected using your camera. You cannot adjust the print settings from your printer.

If you want to adjust the print settings using features that are not available from your digital camera, you can use these options:

- Save the photos to your Windows PC and adjust them using the HP Photo & Imaging software. For more information, see the HP Photo & Imaging software help.
- Save the photos to your Macintosh and use photo editing software to adjust the photos. For more information about how to save photos to your Macintosh, see the HP Photosmart Printer Help.
- Remove the memory card from the camera, insert it in your printer, and adjust the print settings from the printer's control panel. For more information, see **print from a memory card** on page 21 and the HP Photosmart Printer Help.

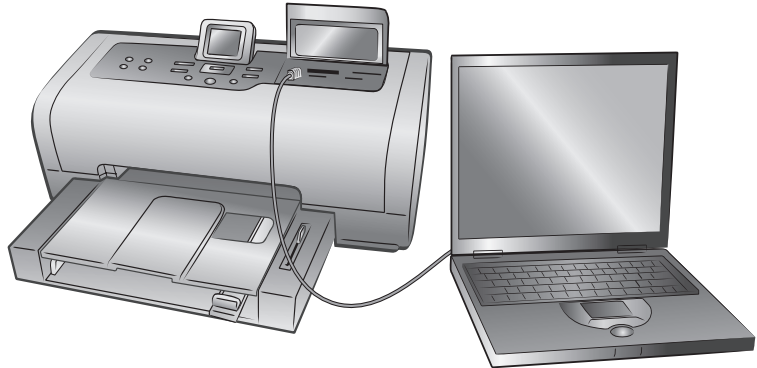
For more information about printing camera-selected photos, see **print camera-selected photos** on page 31.

## connect your notebook computer to the direct-printing port

For quick and easy printing, your printer allows you to connect a notebook computer to the direct-printing port located in the front of the printer.

### To print from your notebook computer:

- 1 Connect one end of a USB cable to the notebook computer, then connect the other end of the cable to the direct-printing port located on the **front** of the printer. The direct-printing port is located under the input bay door, to the left of the memory card slots.



- 2 Using your software application, open the file you want to print.
- 3 Follow the steps appropriate for your operating system:

#### If you are using a Windows PC:

- a. From the **File** menu of the software application, select **Print**.
- b. To access more advanced settings, click **Properties** (may be titled **Preferences** in some operating systems).
- c. Select the settings appropriate for your project and click **OK**.

#### If you are using a Macintosh:

- a. From the **File** menu of the software application, select **Page Setup**.
- b. In the **Format for** pop-up menu, select **photosmart 7700 series**.
- c. Select the page attributes (paper size, borderless or bordered photos, orientation, and scaling percentage).

If you are using OS 9, the borderless option appears as a check box. If you are using OS X, the borderless options appear under the **Paper Size** pop-up menus.

- d. Click **OK**.
- e. From the **File** menu in your software application, select **Print**.
- f. Select the print settings appropriate for your project. Use the pop-up menus to open the other panels.
- g. Click **Print** (OS X) or **OK** (OS 9) to begin printing.





# 5

## print from your computer

You can use your printer with Windows PC or Macintosh software applications that allow printing.

If you already know how to use a printer with your computer, you are ready to begin printing as usual. If you are new to printing, or if you have questions, use this chapter to learn more.

When you print from your computer, the control panel settings on the printer do not apply; the software on your computer overrides the printer's settings.

### print from your Windows PC

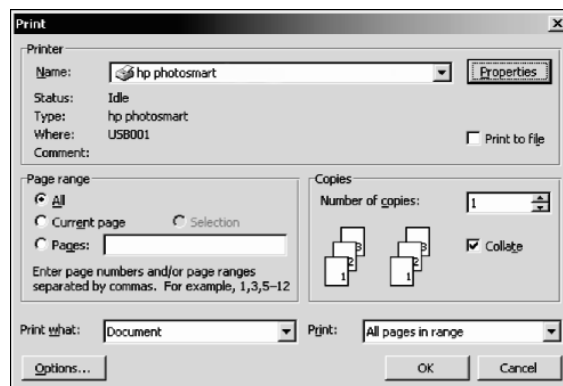
Before you begin, make sure your printer is connected to your computer, the printer software that came in the box is installed, and there is paper in the printer. For more information about setup, see the *HP Photosmart Setup Guide* that came with your printer. For information about loading paper, see **load paper in the in tray** on page 8.

#### print from a software application

- 1 From the **File** menu in your software application, select **Print**.

Depending on the software application you are using and the operating system running on your computer, a Print dialog box may appear or the HP Photosmart Series Properties or Printing Preferences dialog box may appear.

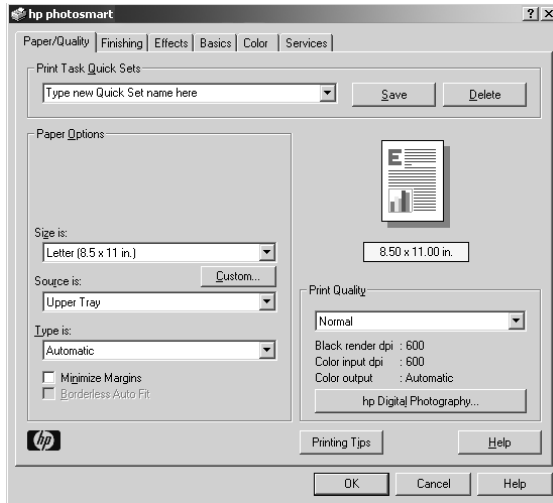
- 2 Select the pages and the number of copies you want print.



- To access the printing properties tabs, you may have to click **Properties** or **Preferences**. For information about the HP Photosmart Series printing properties, see the HP Photosmart Printer Help.

**Note:** The **Properties** button may be labeled **Preferences** and the Print dialog box may be different for each software application.

**Note:** Depending on the operating system running on your computer, the HP Photosmart Series Properties dialog box may be titled HP Photosmart Printing Preferences.



To learn more about the available settings, click the **?** in the upper right corner of the printing properties dialog box, then click the item you want more information about. You can also click **Help**.

- Select other settings appropriate for your project. If you clicked **Properties** or **Preferences** to view the tabs, click **OK** to close the window.
- Click **OK** to begin printing.

## print borderless photos from your Windows PC

Borderless printing is supported for 4 x 6 inch photo paper (100 x 150 mm), 8.5 x 11 inch (216 x 280 mm) paper, L-size paper (3.5 x 5 inches, 90 x 127 mm), and Hagaki cards (3.9 x 5.8 inches, 100 x 148 mm).

**Note:** To print borderless photos from your computer, you must print from a software application that supports borderless printing. HP recommends using the HP Photo & Imaging software that you installed with your printer to achieve true borderless results. If you print using other imaging software, you may have to adjust the photo scaling to achieve borderless results.

- 1 Open the photo in a software application and from the **File** menu, select **Print**.
- 2 On the Print dialog box, click **Properties** or **Preferences** to access the HP Photosmart Series printing properties. If the software application you are using does not have a Properties or Preferences button on the Print dialog box, then skip to the next step. For more information, see **print from a software application**.
- 3 Select the **Paper/Quality** tab on the Print dialog box.
- 4 Click the **Borderless Printing** check box.
- 5 From the **Size is** list, select a borderless paper size. Borderless paper sizes are clearly marked *Borderless* on the list.  
**Note:** Scroll through the **Size is** list to see all available borderless paper sizes.
- 6 Select other settings appropriate for your project, and then click **OK** to return to the Print dialog box.
- 7 Click **OK** to begin printing.

### use the Windows PC taskbar icons

After you install the printer software, two icons appear in the Windows taskbar:

- **hp photosmart printer icon** 
- **hp photosmart memory card icon** 

These icons help you perform a variety of tasks.



Printer icon

Memory card icon

## hp photosmart printer icon




Use the HP Photosmart printer icon in the Windows taskbar to open the HP Photosmart Series Properties dialog box, select a default printer, or open the HP Photosmart Series Toolbox.

- When you click the printer icon, the printing properties dialog box appears. You can change the default print settings in this dialog box.
- When you right-click the printer icon, a menu appears. Make your selection from the following menu items:
  - **Change default print settings**—Click to open the printing properties dialog box.
  - **Open HP Photosmart Series Toolbox**—Click to open the HP Photosmart Series Toolbox.
  - **HP Photosmart Series**—Select the HP Photosmart Series printer you want to use from the list of installed printers. A check mark indicates the currently selected printer.
  - **Exit**—Click to close the menu and remove the printer icon from the taskbar. Restart your computer to make this icon appear again. To close the menu without removing the printer icon from the taskbar, click anywhere outside the menu.

## hp photosmart memory card icon

Use the HP Photosmart memory card icon to determine the status of your printer, access the files stored on your memory card, and display connection messages on your computer screen.

The appearance of the icon tells you the status of the printer:

	When the memory card icon is green, a memory card is inserted in the printer and the printer is ready to access the files stored on the memory card.
	When the memory card icon is gray, a memory card is not inserted in the printer.
	When a red "x" appears on the memory card icon, the connection between the printer and the computer has been lost. To print from the computer you must re-establish communication. For information about re-establishing communication, see the HP Photosmart Printer Help.

When you right-click the memory card icon, a menu appears. Make your selection from the following menu items:

- **Open F: HP Photosmart Series**—Click to open Windows Explorer, where you can move, copy, delete, or open files. You can also double-click the memory card icon to open Windows Explorer. Note that "F:" may not be the drive letter assigned by your computer.
- **Prepare to remove card**—Click to prepare the memory card for safe removal from the printer.
- **Show disconnect warning**—Click if you want a warning message to appear when the printer loses communication or attempts to regain communication with your computer. A check mark indicates a connection message will appear.
- **Show safe to remove card message**—Click if you want a message to appear notifying you when it is safe to remove the memory card from the printer. A check mark indicates a message will appear.

## print from your Macintosh

Before you begin, make sure your printer is connected to your computer, the printer software that came in the box is installed, and there is paper in the printer. For more information about setup, see the *HP Photosmart Setup Guide* that came with your printer. For information about loading paper, see **load paper in the in tray** on page 8.

**Note:** To print borderless photos from your computer, you must print from a software application that supports borderless printing. If you are using OS X, HP recommends using the iPhoto application that came with the operating system.

### print from a software application (OS X or OS 9)

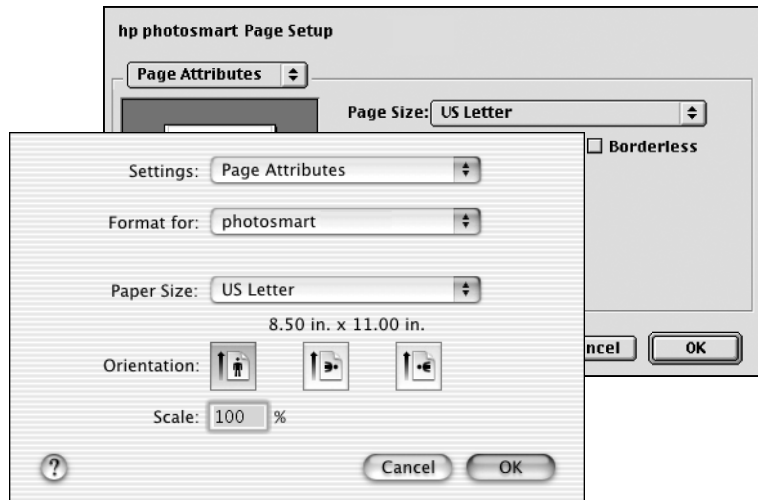
The following steps are specific to OS X. For OS 9, the steps may be slightly different. Be sure you have selected your HP Photosmart printer in the Print Center (OS X) or in the Chooser (OS 9) before you begin printing. For more information, see the reference guide that came with your printer.

- 1 From the **File** menu in your software application, select **Page Setup**.

The Page Setup dialog box appears.

- 2 In the **Format for** pop-up menu, select **photosmart** (OS X only).

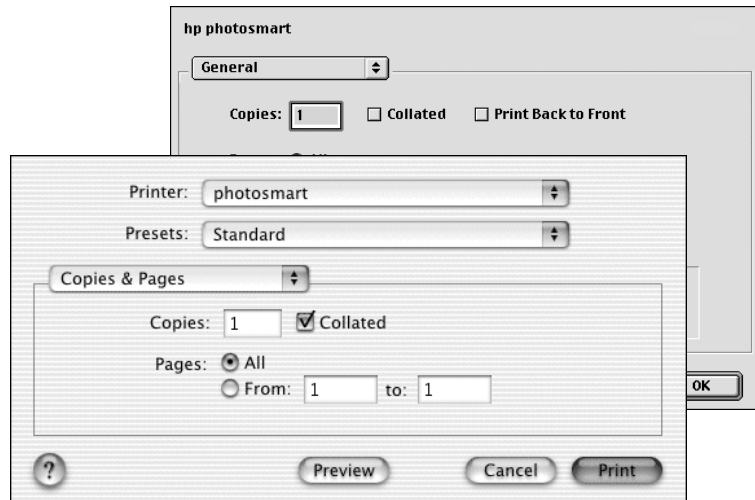
**Note:** In OS 9, select **photosmart 7700 series** in the Chooser.



- 3 Select the page attributes:
  - Select the paper size.
  - Select whether you would like to print borderless or bordered photos.
 

If you are using OS 9, the borderless option appears as a check box. If you are using OS X, the borderless options appear under the **Paper Size** pop-up menus.
  - Select the orientation.
  - Enter the scaling percentage.
- 4 Click **OK**.
- 5 From the **File** menu in your software application, select **Print**.  
The Print dialog box appears.
 

**Note:** If you are using OS X, the Copies & Pages panel opens. If you are using OS 9, the General panel opens.
- 6 Verify that your HP Photosmart 7700 Series printer is listed in the Print Center's printer list. (OS X) or that it is selected in the Chooser (OS 9) before you begin printing.
- 7 Select the print settings appropriate for your project. Use the pop-up menus to open the other panels.



To learn more about the settings, click the ? in the lower left corner of the dialog box (OS X only).

**Note:** Your photosmart printer is not a PostScript printer.

- 8 Click **Print** (OS X) or **OK** (OS 9) to begin printing.





# 6

## troubleshooting

Your HP Photosmart printer is designed to be reliable and easy to use. This chapter answers frequently asked questions and contains information about the following topics:

- hardware problems
- printing problems
- error messages

For more troubleshooting information about software installation, see the reference guide that came with your printer. For advanced troubleshooting information, see the HP Photosmart Printer Help. For information about viewing the printer help, see **view the hp photosmart printer help** on page 2.

### hardware problems

The troubleshooting section of the HP Photosmart Printer Help contains more detailed solutions. For information about viewing the printer help, see **view the hp photosmart printer help** on page 2.

Before contacting HP support, read this section for troubleshooting tips or go to the online support services at **www.hp.com/support**.

**Note:** HP recommends using a USB cable of less than 10 feet (3 meters) in length to minimize injected noise due to potential high electromagnetic fields.

Problem	Possible cause	Solution
The On/Attention light is blinking green but the printer is not printing.	The printer is processing information.	Wait a moment for the printer to finish processing the information.
The On/Attention light is blinking red.	The printer requires attention.	Try the following: <ul style="list-style-type: none"><li>• Check the printer's LCD screen and the computer monitor for instructions.</li><li>• If you have a digital camera connected to the printer, check the camera's LCD screen for instructions.</li><li>• If this does not work, turn off the printer. Unplug the printer's power cord, wait one minute, then plug it in again. Turn on the printer.</li></ul>

Problem	Possible cause	Solution
The On/Attention light is blinking amber.	An unrecoverable error has occurred.	Turn off the printer. Unplug the printer's power cord, wait one minute, then plug it in again. Turn on the printer. If this does not work, go to <a href="http://www.hp.com/support">www.hp.com/support</a> or contact HP support.

## printing problems

Before contacting HP support, read this section for troubleshooting tips or go to the online support services at [www.hp.com/support](http://www.hp.com/support).

**Note:** HP recommends using a USB cable of less than 10 feet (3 meters) in length to minimize injected noise due to potential high magnetic fields.

Problem	Possible cause	Solution
The printer does not generate borderless photo output.	You need to select the appropriate paper size.	For instructions on setting the paper size for borderless photos, see <b>set borderless printing</b> on page 17 and <b>print from your computer</b> on page 37.
Printing is very slow.	Your computer may have less than the recommended system requirements.	Check the amount of RAM (system memory) and the processor speed of your computer. For information on the system requirements, see the HP Photosmart Printer Help.
	Too many software programs may be running at the same time.	Close all unnecessary software programs.
	You may have <b>Extend Colors</b> turned on.	Turn off the option by using the printer's <b>MENU</b> button. For more information, see the HP Photosmart Printer Help.
	You may be using outdated printer software.	Update the version of the printer software you are using. For more information, see the HP Photosmart Printer Help.
	You may have chosen <b>Maximum dpi</b> (Windows) or <b>High Resolution</b> (Macintosh).	See the Troubleshooting section of the HP Photosmart Printer Help for instructions on how to deselect <b>Maximum dpi</b> (Windows) or <b>High Resolution</b> (Macintosh).

Problem	Possible cause	Solution
The printer does not print new photos on the memory card.	There are no new photos on the memory card or the photos have already been printed from the printer's control panel. For more information, see <b>print new photos</b> on page 32.	Select and print the desired photos. For more information, see <b>decide which photos to print or to send via e-mail</b> on page 26.
Photo paper does not feed into the printer correctly.	If you are trying to print on 4 x 6 inch (10 x 15 cm) paper, Hagaki cards, or L-size cards, the photo tray may not be engaged.	Engage the photo tray by gently pushing the photo tray slider towards the printer.
	The photo paper guides may not be adjusted correctly.	Make sure that the photo paper width guide and the photo paper length guide fit close to the edges of the paper without bending the paper.
	Your printer may be in an extremely high or low humidity environment.	Try the following: <ul style="list-style-type: none"> <li>• Insert the photo paper as far as it will go into the photo tray.</li> <li>• Load one sheet of photo paper at a time.</li> </ul>
	The photo paper may be curled.	If the photo paper is curled, place the paper in a plastic bag and gently bend it the opposite direction of the curl until the paper lies flat. If the problem persists, use photo paper that is not curled.

Problem	Possible cause	Solution
Paper does not feed into the printer correctly. OR Plain paper does not come out of the printer correctly.	There may be too much paper loaded in the In tray.	Remove some paper from the In tray and try printing again. For paper-loading instructions, see <b>load paper in the in tray</b> on page 8.
	The paper guides may not be adjusted correctly.	Make sure that the paper width guide and the paper length guide fit close to the edges of the paper without bending the paper.
	Two or more pieces of paper are stuck together	Remove the paper from the paper tray and leaf through the stack so the sheets of paper do not stick together, then reload the paper and try printing again. For paper-loading instructions, see <b>paper information</b> on page 7.
<b>Windows PC only</b> Photos are not printing correctly from your Windows PC.	You may have used your application's Page Setup dialog box to select the paper size or type.	Use the printing properties dialog box to select the paper size or type. For more information, see the HP Photosmart Printer Help.
No page came out of the printer.	The paper jammed while printing.	<ol style="list-style-type: none"> <li>1 Turn off the printer, then unplug it from the power source.</li> <li>2 Remove the rear access door and remove the jammed paper.</li> </ol> For more information, see the troubleshooting section in the HP Photosmart Printer Help for instructions on clearing a paper jam.
The document printed at an angle or is off-center.	The paper may not be loaded correctly.	Load the paper correctly. For paper-loading instructions, see <b>load paper in the in tray</b> on page 8.
	The print cartridge may not be properly calibrated.	For more information, see the instructions for calibrating a print cartridge in the care and maintenance section in the HP Photosmart Printer Help.

Problem	Possible cause	Solution
Print quality is poor.	You may be printing in Ink-backup Printing Mode. The printer enters Ink-backup Printing Mode when one of the print cartridges is missing.	Replace the missing print cartridge with a new one. For more information, see <b>install or replace print cartridges</b> on page 11.
	You may have magnified the photo too much.	Press the <b>ZOOM –</b> button one or more times to reduce the magnification.
	You may not be using the best paper type for your output.	Load the best paper type for your output. For more information, see <b>recommended paper</b> on page 53.
	You may be printing on the wrong side of the paper.	Make sure the paper is loaded with the side to be printed facing down.
	You may have selected a low-resolution setting on your digital camera.	Reduce the size of the image and try printing again. For better results in the future, set your digital camera to a higher photo resolution.
	You may not have selected the correct paper type in the printer software.	Select the correct paper type from your software application's Print dialog box.
	You may need to clean the print cartridges.	Clean the print cartridges from the printer's control panel. For more information, see the HP Photosmart Printer Help.

## error messages

Before contacting HP support, read this section for troubleshooting tips or go to the online support services at [www.hp.com/support](http://www.hp.com/support).

Message	Problem	Solution
PAPER JAM. CLEAR JAM THEN PRESS OK.	The paper jammed while printing.	<ol style="list-style-type: none"> <li>1 Turn off the printer, then unplug it from the power source.</li> <li>2 Remove the rear access door and remove the jammed paper.</li> </ol> For more information, see the troubleshooting section in the HP Photosmart Printer Help for instructions on clearing a paper jam.
UNSUPPORTED MEDIA SIZE. JOB WAS CANCELLED. PRESS OK.	Your printer does not support the provided paper size.	Press the <b>OK</b> button, then load a supported paper size. For more information about supported sizes, see <b>specifications</b> on page 53.
PAPER SIZE MISMATCH.	The paper size changed in the middle of the print process.	Load the correct paper size in the photo tray and press the <b>OK</b> button. For paper-loading instructions, see <b>load paper in the photo tray</b> on page 9.
AUTOMATIC PAPER SENSOR FAILED.	The automatic paper sensor is obstructed or damaged.	Press the <b>OK</b> button and try printing again. If this does not work, go to <a href="http://www.hp.com/support">www.hp.com/support</a> or contact HP support.
ONE OR MORE CARTRIDGES HAVE FAILED. REMOVE ALL CARTRIDGES, THEN REINSERT EACH CARTRIDGE BY ITSELF AND CLOSE THE COVER TO SEE IF IT HAS FAILED.	One or both of the print cartridges is old or damaged.	Test both print cartridges to see if one or both of the print cartridges failed. For testing instructions, see the HP Photosmart Printer Help. For information about replacing print cartridges, see <b>install or replace print cartridges</b> on page 11.

Message	Problem	Solution
CARTRIDGE SERVICE STATION IS STUCK.	There is an obstruction blocking the path of the cartridge service station.	<ol style="list-style-type: none"> <li>1 Open the main door. The print cartridge service station is located beneath the print cartridge cradle.</li> <li>2 Move the print cartridge cradle to the left to access the print cartridge service station.</li> <li>3 Clear any obstruction and press the <b>OK</b> button to continue.</li> </ol>
PRINT CARTRIDGE JAM. CLEAR JAM THEN PRESS OK.	The print cartridge cradle is stuck.	Clear any obstruction in the print cartridge cradle path, and press the <b>OK</b> button to continue.
PHOTO IS CORRUPTED. OR SOME PHOTOS ARE CORRUPTED.	One or more photos selected for printing are corrupt and cannot be accessed.	Try saving the photos to the computer using your digital camera rather than your memory card. For more information, see the HP Photosmart Printer Help.
CARD ACCESS ERROR. OR FILE DIRECTORY STRUCTURE IS CORRUPTED. OR CANNOT DISPLAY THIS PHOTO.	The memory card contains image formats that the printer does not support or the file is corrupted. For a list of supported image formats, see <b>specifications</b> on page 53.	Save the photos to your computer and access them from there. For more information, see the HP Photosmart Printer Help.
CAN NOT PRINT PHOTOS.	Some files specified for a print job have errors.	Save the files to your computer and print from your computer. For more information, see the HP Photosmart Printer Help.
CAN NOT SCAN PROOF SHEET. PLEASE PRINT A NEW PROOF SHEET. PRESS OK.	The proof sheet is smeared or has stray marks.	Print a new proof sheet. For more information, see <b>print a proof sheet</b> on page 28.
CAN NOT DETECT THE PROOF SHEET. PLEASE PRINT A NEW PROOF SHEET. PRESS OK.	You may have placed the proof sheet with the printed side facing up.	<ol style="list-style-type: none"> <li>1 Insert the proof sheet into the In tray with the printed side facing down.</li> <li>2 Try scanning again. For more information, see <b>scan a proof sheet</b> on page 29.</li> </ol>

<b>Message</b>	<b>Problem</b>	<b>Solution</b>
DATA WAS NOT RECEIVED. OR NO RESPONSE FROM COMPUTER.	The printer did not receive the data that the computer sent to it.	Try the following: <ul style="list-style-type: none"><li>• Make sure the USB cable is securely attached to both the computer and the USB port on the back of the printer.</li><li>• Verify that you are using a high-quality USB cable that is less than 10 feet (3 meters) in length.</li></ul>



# 7

## specifications

This chapter lists recommended papers for your printer and provides selected printer specifications.

**Note:** For a complete list of printer specifications and system requirements, see the HP Photosmart Printer Help.

### recommended paper

For a list of available HP-designed inkjet papers, or to purchase supplies, go to:

- [www.hpshopping.com](http://www.hpshopping.com) (U.S.)
- [www.hp-go-supplies.com](http://www.hp-go-supplies.com) (Europe)
- [www.hp.com/paper](http://www.hp.com/paper) (Asia/Pacific)
- [www.jpn.hp.com/supply/inkjet](http://www.jpn.hp.com/supply/inkjet) (Japan)

**Note:** You can also purchase HP-designed inkjet paper at most computer and office supply stores.

HP photo papers	Best for	Sizes
HP premium plus photo paper	<ul style="list-style-type: none"> <li>• 4 x 6 inch (10 x 15 cm) borderless prints</li> <li>• High-value prints</li> <li>• Important photos</li> <li>• High-resolution images from scanners or digital cameras</li> <li>• Photo enlargements or reprints to frame or give as gifts</li> </ul>	Letter (8.5 x 11 inches, 216 x 280 mm) A4 (8.27 x 11.7 inches, 210 x 297 mm) 4 x 6 inches with 0.5 inch tab (10 x 15 cm with 1.25 cm tab) 4 x 6 inches (10 x 15 cm)
HP premium photo paper	<ul style="list-style-type: none"> <li>• Making and sharing photos with friends and families</li> <li>• Medium- to high-resolution images from scanners and digital cameras</li> <li>• Medium value prints from parties, team events, or celebrations</li> </ul>	Letter (8.5 x 11 inches, 216 x 280 mm) A4 (8.27 x 11.7 inches, 210 x 297 mm) 4 x 6 inches with 0.5 inch tab (10 x 15 cm with 1.25 cm tab)
HP everyday photo paper	<ul style="list-style-type: none"> <li>• Everyday photos, short-term or one-time uses</li> <li>• E-mail or internet photos for bulletin boards or refrigerators</li> <li>• Kid's photos</li> <li>• Testing and proofing</li> </ul>	Letter (8.5 x 11 inches, 216 x 280 mm) A4 (8.27 x 11.7 inches, 210 x 297mm)

## printer specifications

<b>Connectivity, maximum</b>	HP JetDirect External Print Servers: 175x, 310x, 380x
<b>Connectivity, standard</b>	USB: Front and back ports Windows 98, 2000 Professional, ME, XP Home, and XP Professional Mac OS 9 v9.1 or later, OS X v10.1 through 10.2
<b>Image file formats</b>	JPEG Baseline TIFF 24-bit RGB uncompressed interleaved TIFF 24-bit YCbCr uncompressed interleaved TIFF 24-bit RGB packbits interleaved TIFF 8-bit gray uncompressed/packbits TIFF 8-bit palette color uncompressed/packbits TIFF 1-bit uncompressed/packbits/1D Huffman
<b>In tray capacity</b>	25 sheets of photo paper 100 sheets of plain paper 20 - 40 cards (depending on thickness) 15 envelopes 20 sheets of banner paper 20 sheets of labels 25 transparencies 25 sheets of iron-on transfers
<b>Media sizes</b>	Photo paper (4 x 6 inches, 10 x 15 cm) Photo paper with tab (4 x 6 inches with 0.5 inch tab, 10 x 15 cm with 1.25 cm tab) Index cards (4 x 6 inches, 10 x 15 cm) Hagaki cards (3.9 x 5.8 inches, 100 x 148 mm) A6 cards (4.1 x 5.8 inches, 105 x 148 mm) L-size cards (3.5 x 5 inches, 90 x 127 mm) L-size cards with tab (3.5 x 5 inches with 0.5 inch tab, 90 x 127 mm with 12.5 mm tab) Banner paper (8.5 x 234 inch, 216 x 5969 mm)

**Media sizes, standard Photo paper**

3 x 3 inches to 8.5 x 14 inches (76 x 76 mm to 216 x 356 mm)

**Plain paper**

Letter, 8.5 x 11 inches (216 x 280 mm)

Legal, 8.5 x 14 inches (216 x 356 mm)

Executive, 7.5 x 10 inches (190 x 254 mm)

A4, 8.27 x 11.7 inches (210 x 297 mm)

A5, 5.8 x 8.3 inches (148 x 210 mm)

B5, 6.9 x 9.8 inches (176 x 250 mm)

**Cards**

Hagaki, 3.9 x 5.8 inches (100 x 148 mm)

L-size, 3.5 x 5 inches (90 x 127mm)

L-size with tab, 3.5 x 5 with 0.5 inch tab (90 x 127 mm with 12.5 mm tab)

Index, 3 x 5 inches, 4 x 6 inches, and 5 x 8 inches (76 x 127 mm, 10 x 15 cm, and 127 x 203 mm)

A6, 4.1 x 5.8 inches (105 x 148 mm)

**Envelopes**

No. 9, 3.875 x 8.875 inches (98.4 x 225.4 mm)

No. 10, 4.125 x 9.5 inches (105 x 240 mm)

A2 Invitation, 4.375 x 5.75 inches (110 x 146 mm)

DL, 4.33 x 8.66 inches (110 x 220 mm)

C6, 4.5 x 6.4 inches (114 x 162 mm)

**Custom**

3 x 5 inches to 8.5 x 14 inches (76 x 127 mm to 216 x 356 mm)

**Transparencies**

Letter, 8.5 x 11 inches (216 x 280 mm)

A4, 8.27 x 11.7 inches (210 x 297 mm)

**Label sheets**

Letter, 8.5 x 11 inches (216 x 280 mm)

A4, 8.27 x 11.7 inches (210 x 297 mm)

**Banner paper**

(8.5 x 234 inch, 216 x 5969 mm)

**Media specifications, maximum**

Recommended maximum length: 14 inches (356 mm)

Recommended maximum width: 8.5 inches (216 mm)

Recommended maximum thickness: 11.5 mil (292  $\mu$ m) per sheet

<b>Media types</b>	Paper (plain, inkjet, photo, and banner) Envelopes Transparencies Labels Cards (index, greeting, Hagaki, A6, L-size) Iron-on transfers
<b>Memory cards</b>	CompactFlash Type I and II IBM Microdrive MultiMediaCard Secure Digital SmartMedia Sony Memory Sticks xD-Picture Card
<b>Memory card-supported file formats</b>	Printing: Supported images and video file formats Saving: All file formats
<b>Out tray capacity</b>	20 sheets of photo paper 50 sheets of plain paper 10 cards 10 envelopes 20 transparencies 20 sheets of banner paper 25 sheets of labels 25 sheets of iron-on transfers
<b>Paper trays</b>	One letter-size tray One 4 x 6 inch (10 x 15 cm) photo tray
<b>Photo tray capacity</b>	15 sheets of photo paper
<b>Print cartridges</b>	1 black HP #56 (C6656A) 1 tri-color HP #57 (C6657A) 1 color photo HP #58 (C6658A) 1 gray photo HP #59 (C9359A)
<b>USB support</b>	USB: Front and back ports Windows 98, 2000 Professional, ME, XP Home, and XP Professional Mac OS 9 v9.1 or later, OS X v10.1 through 10.2 HP recommends that the USB cable be less than 10 feet (3 meters) in length
<b>Video file formats</b>	Motion JPEG AVI Motion JPEG Quicktime MPEG-1



## B

borderless printing, 17  
problems, 46

## C

camera-selected photos  
print, 31  
unmark, 18  
control panel, 5  
copies  
set number of copies, 16

## D

default settings, 19  
DPOF, 18  
print camera-selected  
photos, 31

## E

error messages, 50

## H

hardware problems, 45  
hp photosmart printer help  
print, 2  
view, 2

## I

icons  
memory card, 41  
printer, 40  
index page, 27  
indicator lights, 5  
ink-backup printing mode, 13

## L

LCD screen  
language, 19  
view photos, 26

## M

memory card  
icon, 41  
insert, 22  
remove, 25  
slots, 6  
supported cards, 21  
memory cards  
supported file formats, 22  
menu

# of copies, 16  
after printing, 15  
borderless printing, 17  
country/region, 19  
DPOF, 18  
language, 19  
paper detect, 18  
photo size, 16  
print quality, 20  
restore defaults, 19  
structure, 6

## P

paper  
feed problems, 47  
information, 7  
load the in tray, 8  
load the photo tray, 9  
print quality, 20  
recommended, 53  
set paper detection, 18

photo  
sizes, 16

photos  
borderless printing, 17  
print photo index page, 27  
set photo size, 16  
use 9-up view mode, 26  
view from LCD screen, 26

print  
camera-selected photos  
(DPOF), 31  
from a Macintosh, 42  
from a Windows PC, 37  
ink-backup printing  
mode, 13  
photo index page, 27  
problems, 45  
proof sheet, 28  
quality, 20

print cartridges  
install, 11  
replace, 11  
store, 14  
supported, 10

printer  
icon, 40  
specifications, 54

printer parts  
back, 4  
control panel, 5  
front, 4  
indicator lights, 5  
memory card slots, 6  
printing preferences, 15  
problems  
borderless printing, 46  
hardware, 45  
paper feed, 47  
printing, 45  
slow printing, 46  
proof sheet  
print, 28  
scan, 29

## R

recommended paper, 53  
remove a memory card, 25  
replace print cartridges, 11

## S

set  
borderless printing, 17  
country/region, 19  
factory default settings, 19  
LCD screen language, 19  
number of copies, 16  
paper detection, 18  
photo size, 16  
print quality, 20  
printing preferences, 15  
unmark DPOF files, 18  
specifications  
printer, 54  
store print cartridges, 14

## T

troubleshoot  
borderless printing  
problems, 46  
error messages, 50  
hardware problems, 45  
paper feed problems, 47  
printing problems, 45  
slow printing, 46





**DECLARATION OF CONFORMITY**  
according to ISO/IEC Guide 22 and EN 45014

**Manufacturer's Name:** Hewlett-Packard Company  
**Manufacturer's Address:** 16399 West Bernardo Drive  
San Diego CA 92127, USA

**declares, that the product**

**Regulatory Model Number (RMN):** SDGOA-0377

**Product Name:** Photosmart 7760 (Q3015A)

**Model Number(s):** Photosmart 7760 (Q3015A)

**conforms to the following Product Specifications:**

**Safety:** IEC 60950: 3<sup>rd</sup> Edition:1999  
EN 60950:2000  
UL1950/CSA22.2 No.950, 3<sup>rd</sup> Edition:1995  
NOM 019-SFCI-1993  
GB4943:2001

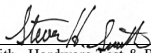
**EMC:** CISPR 22:1997 / EN 55022:1998 Class B  
CISPR 24:1997 / EN 55024:1998  
IEC 61000-3-2:1995 / EN 61000-3-2:1995  
IEC 61000-3-3:1994 / EN 61000-3-3:1995

**Supplementary Information:**

The Product herewith complies with the requirements of the Low Voltage Directive 73/23/EEC and the EMC Directive 89/336/EEC and carries the CE marking accordingly.

1) The product was tested in a typical configuration.

7 March 2003  
Date

  
Steve Smith, Hardware Test & Regs MGR.

European Contact for regulatory topics only: Hewlett Packard GmbH, HQ-TRE, Herrenberger Strasse 140,  
D-71034 Böblingen Germany. (FAX +49-7031-14-3143)



Printed on recycled paper  
Printed in U.S., 5/03



ENERGY STAR<sup>®</sup> is a U.S. registered mark.  
As an ENERGY STAR<sup>®</sup> partner,  
Hewlett-Packard Company has determined that this  
product meets the ENERGY STAR<sup>®</sup> guidelines for  
energy efficiency.

[www.hp.com](http://www.hp.com)

© 2003 Hewlett-Packard Company



i n v e n t



**Q3015-90168**

v1.3.0



## Free Manuals Download Website

<http://myh66.com>

<http://usermanuals.us>

<http://www.somanuals.com>

<http://www.4manuals.cc>

<http://www.manual-lib.com>

<http://www.404manual.com>

<http://www.luxmanual.com>

<http://aubethermostatmanual.com>

Golf course search by state

<http://golfingnear.com>

Email search by domain

<http://emailbydomain.com>

Auto manuals search

<http://auto.somanuals.com>

TV manuals search

<http://tv.somanuals.com>