

PrintPartner 16V
PAGE PRINTER
USER's MANUAL

FUJITSU LIMITED

Communications and Electronics

Tokyo, Japan

Notice to American
Users

Federal Communications Commission
Radio Frequency Interference Statement

Notice: This equipment has been tested and found to comply with the limits for a Class B digital device, pursuant to Part 15 of the FCC Rules. These limits are designed to provide reasonable protection against harmful interference in a residential installation. This equipment generates, uses, and can radiate radio frequency energy and, if not installed and used in accordance with the instructions, may cause harmful interference to radio communications. However, there is no guarantee that interference will not occur in a particular installation. If this equipment does cause harmful interference to radio or television reception, which can be determined by turning the equipment off and on, the user is encouraged to try to correct the interference by one or more of the following measures:

- Reorient or relocate the receiving antenna.
- Increase the separation between the equipment and receiver.
- Connect the equipment to an outlet on a circuit different from that to which the receiver is connected.
- Consult the dealer or an experienced radio / TV technician for help.

FCC warning: Changes or modifications not expressly approved by the party responsible for compliance could void the user's authority to operate the equipment.

Notes

- Testing of this equipment was performed on model number M33101 AS01.
- The use of a non-shielded interface cable with the referenced device is prohibited. The length of the parallel interface cable must be 3 meters (10 feet) or less. The length of the serial interface cable must be 15 meters (50 feet) or less.
- The length of the power cord must be 3 meters (10 feet) or less.

laser Safety Information

This printer has been designed and manufactured according to FDA regulations "title 21, CFR, chapter I, subchapter J, based on the Radiation Control for Health and Safety Act of 1968", and is classified as class 1 laser product.

Warning: Use of controls, adjustments or performance of procedures other than those specified herein may result in hazardous radiation exposure.

Notice to Canadian
Users

This class B digital apparatus meets all requirements of the Canadian Interference-Causing Equipment Regulations.

Cet appareil numérique de la Classe B respecte toutes les exigences du Règlement sur le matériel brouilleur du Canada.

Notice to German
Users

Bescheinigung des Herstellers/Importeurs

Hiermit wird bescheinigt, daß der/die/das

- **Maschinenlärminformationsverordnung 3. GSGV, 18.01.1991: Der höchste Schalldruckpegel beträgt 70 dB (A) oder weniger gemäß EN27779-1991.**

Notice to Japanese
Users

この装置は、情報処理装置等電波障害自主規制協議会（VCCI）の基準に基づくクラスB情報技術装置です。この装置は、家庭環境で使用することを目的としていますが、この装置がラジオやテレビジョン受信機に近接して使用されると、電波妨害を引き起こすことがあります。

取扱説明書に従って正しい取り扱いをして下さい。

In case that the interface board, Ethernet C, is installed, this equipment complies with EMI regulations as follows:

Notice to American Users

Federal Communications Commission Radio Frequency Interference Statement

Notice: This equipment has been tested and found to comply with the limits for a Class A digital device, pursuant to Part 15 of the FCC Rules. These limits are designed to provide reasonable protection against harmful interference when the equipment is operated in a commercial environment. This equipment generates, uses, and can radiate radio frequency energy and, if not installed and used in accordance with the instruction manual, may cause harmful interference to radio communications. Operation of this equipment in a residential area is likely to cause harmful interference in which case the user will be required to correct the interference at his own expense.

FCC warning: Changes or modifications not expressly approved by the party responsible for compliance could void the user's authority to operate the equipment.

Notes

- The use of a non-shielded interface cable with the referenced device is prohibited. The length of the parallel interface cable must be 3 meters (10 feet) or less. The length of the Ethernet interface cable must be 100 meters (328 feet) or less for type 10BASE-2 and 185 meters (607 feet) or less for type 10BASE-T.
- The length of the power cord must be 3 meters (10 feet) or less.

laser Safety Information

This printer has been designed and manufactured according to FDA regulations "title 21, CFR, chapter I, subchapter J, based on the Radiation Control for Health and Safety Act of 1968", and is classified as class I laser product.

Warning: Use of controls, adjustments or performance of procedures other than those specified herein may result in hazardous radiation exposure.

Notice to Canadian Users

This class A digital apparatus meets all requirements of the Canadian Interference-Causing Equipment Regulations.

Cet appareil numérique de la Classe A respecte toutes les exigences du Règlement sur le matériel brouilleur du Canada.

Notice to German Users

Bescheinigung des Herstellers/Importeurs

Hiermit wird bescheinigt, daß der/die/das

- Maschinenlärminformationsverordnung 3. GSGV, 18.01.1991: Der höchste Schalldruckpegel beträgt 70 dB (A) oder weniger gemäß EN27779-1991.

Notice to European and Oceanian Users

Warning: This is a product which meets Class A of EN55022 and AS/NZS3548. In a domestic environment this product may cause radio interference in which case the user may be required to take adequate measures.

Notice to Japanese Users

注意

この装置は、情報処理装置等電波障害自主規制協議会（VCCI）の基準に基づくクラスA情報技術装置です。この装置を家庭環境で使用すると電波妨害を引き起こすことがあります。この場合には使用者が適切な対策を講ずるよう要求されることがあります。



As an International **ENERGY STAR** Partner, Fujitsu Limited has determined that this product meets the International **ENERGY STAR** Office Equipment Program for energy efficiency.

The International **ENERGY STAR** Office Equipment Program is an international program that promotes energy saving through the use of computers and other office equipments. The program backs the development and dissemination of products with functions that effectively reduce energy consumption. It is an open system in which business proprietors can participate voluntarily. The targeted products are office equipment such as computers, displays, printers, facsimiles, and copiers. Their standards and logos are uniform among participating nations.

CE Declaration

This product sold in Europe conforms to the standards in accordance with EC Directives. The copy of “Declaration of Conformity” is attached in the next page.

(This page is intentionally blank.)

The contents of this manual may be revised without prior notice and without obligation to incorporate changes and improvements into units already shipped.

Fujitsu has made every effort to ensure that the information included here is complete and accurate at the time of publication. The company assumes no liability for errors and omissions.

Copyright © 1997 FUJITSU LIMITED

Printed in Japan. All rights reserved. No part of this manual may be reproduced or translated, stored in a database or retrieval system, or transmitted, in any form or by any means, electronic, mechanical, photocopying, recording, or otherwise, without the prior written permission of Fujitsu Limited.

C145-E227-01EN, December 1997

Trademark Acknowledgment

Fujitsu is a registered trademark of Fujitsu Limited. The following companies own the other trademarks used in this manual:

Adobe Systems, Inc.: PostScript
Apple Computer, Inc.: AppleTalk, LocalTalk, Macintosh, TrueType
AT&T: UNIX
Centronics Data Computer Corporation: Centronics
Hewlett-Packard Corporation: Hewlett-Packard, LaserJet, LaserJet 5, PCL

International Business Machines Corporation: IBM, IBM PC/AT, IBM PS/2, PC-DOS
Microsoft Corporation: Microsoft, MS-DOS, Windows
Lexmark International Inc.: MarkVision
Miles, Inc.: Intellifont
Novell, Inc.: Netware
Pipeline Associates, Inc.: PowerPage
Xerox Corporation: 4024, Ethernet, Xerox

Precautions

Read this section and remember these instructions to ensure your safety and your printer's correct performance. Follow the cautions and notices labeled on the printer or marked with icons in the manual. Save this manual for future reference.

- Use only the power cord furnished with the printer and a properly grounded outlet. Do not use an extension power cord.
- Confirm that the rated voltage of your printer matches the voltage of your power outlet. The maximum wattage of the printer is 650 watts.
- Turn off the printer and disconnect the power cord before beginning maintenance operations.
- Disconnect the power cord from the outlet whenever you are not using the printer for an extended period of time.
- Disconnect the power cord from the outlet whenever thunder storms are nearby. Leaving the power cord connected may allow damage to the printer or other property.
- Do not put the printer in direct sunlight, near a heater, or near water. Leave adequate space around the printer.
- Do not touch any connector contacts and corona wires. This could cause electrostatic damage to the printer.
- Do not touch the heat roller and motors if you have been printing recently. These parts may be hot.
- Do not touch or scratch the green drum surface, and do not expose it to light for more than three minutes.
- Use only a shielded interface cable of 3 meters (10 feet) or less for the parallel interface, 15 meters (50 feet) or less for the serial interface, 100 meters (328 feet) or less for Ethernet interface 10BASE-T connection, and 185 meters (607 feet) or less for the Ethernet interface 10BASE- connection.
- Be sure the printer is turned off before connecting the interface.
- Do not turn the printer off while it is printing.
- Do not disassemble or remove any components unless instructed in the maintenance procedures.
- Keep the print unit upright when removing or installing it.
- Do not apply excessive pressure on the corona wire when cleaning it.
- Do not use alcohol or other cleaning solutions on the drum surface or on any interior parts of the printer.
- Clear paper jams quickly, especially when they occur in the heat roller unit.
- Do not drop small objects, such as paper clips, into the printer.
- Do not set page margins off the physically printable page area.
- Turn off the printer and disconnect the power cord immediately if an abnormal condition occurs: for instance, if the rinter smokes, prints abnormally, becomes wet, or falls. Then consult your dealer.

Contents

	Preface	v
	Manual and Software Set	v
	Operating Environments	vi
	Conventions	vii
	Control Panel	vii
	Changing Message Language	viii
Chapter 1	Getting Started	1-1
	Getting Acquainted	1-1
	Getting Ready	1-1
	Picking a Suitable Location	1-4
	Unpacking and Checking Your Printer	1-5
	Setting Up	1-7
	Preparing the Print Unit and Installing the Toner Bottle	1-7
	Loading Paper and Installing the Paper Tray	1-10
	Installing the Multi-function Feeder	1-13
	Connecting the Power Cord	1-14
	Connecting the Printer to Your Computer	1-15
	About Interfacing	1-15
	Connecting to the Parallel Port	1-16
	Connecting to the Serial Port	1-17
	Connecting the Serial Interface Cable	1-17
	Verifying Serial Parameter Settings	1-18
	Printing a Test Page Offline	1-20
	Selecting an Emulation	1-21
	Installing a Printer Driver	1-22
	Get to Know Your Printer Driver	1-23
	Printer Drivers Supplied by the CD-ROM	1-23
	Printer Drivers Supplied by the Floppy Disk	1-23
	Standard Printer Driver for Windows 3.1/3.11	1-24
	Standard Printer Driver for Windows 95	1-24

Installing Other Software	1-26
PPMENU	1-26
Lexmark's MarkVision™	1-27
Printing Your First Document	1-28
Adjusting Print Density	1-29
If Something Goes Wrong	1-30
Where To Go From Here	1-31
Chapter 2	
Printing and Paper Handling	2-1
Control Panel Tutorial	2-1
The Control Panel	2-1
Indicators	2-2
Message Display	2-3
Buttons	2-3
Control Panel Functions	2-5
Changing Message Language	2-5
Printing Data Remaining in the Buffer	2-5
Clearing an Error Condition to Continue Printing	2-5
Clearing the Buffer and Reinitializing the Printer	2-6
Selecting the Self Test Menu	2-6
Selecting the Font Print Menu	2-8
Selecting Paper Tray, MFF, or Manual Paper Feed	2-10
Setting MFF Paper Size	2-11
Selecting Menu Option and Resetting Menu	2-12
Menu Functions	2-12
Menu Structure and How to Use Control Panel Buttons	2-12
Submenus, Items, and Options	2-13
Menu Items	2-16
Handling Paper	2-21
Paper Types and Sizes	2-21
General Tips	2-23
Preprinted Sheets	2-24
Transparencies	2-24
Envelopes	2-25
Labels	2-26
Changing the Paper Tray Size	2-26
Using the Multi-function Feeder	2-28

	Feeding Paper Manually	2-30
	Using Manual Feed Slot of the Multi-function Feeder	2-30
	Using Manual Feed Slot Built in the Printer	2-31
	Setting Up the Rear Stacker	2-32
	Printing on Nonstandard Size Paper and on Envelopes	2-33
	Considerations on Paper Size	2-33
	Page Orientation	2-34
Chapter 3	Enhancing and Customizing the Printer	3-1
	Adding RAM	3-1
	Installing an Alternate Emulation	3-3
	Installing an Interface Expansion Board	3-5
	Installing an Interface Board	3-5
	Connecting to the LocalTalk Port	3-6
	Connecting the LocalTalk Interface Cable	3-6
	Selecting the LocalTalk Interface	3-6
	LocalTalk Specifications	3-6
	Connecting to the Ethernet Port..	3-7
	Connecting the Ethernet Interface Cable	3-7
	Selecting the Ethernet Interface	3-8
	Ethernet Specifications	3-8
	Adding Paper Sources	3-8
	Paper Feeder	3-8
	Changing the Paper Tray Size	3-10
	Different Paper Tray Sizes	3-13
	Adding Duplex Unit	3-13
Chapter 4	Maintenance	4-1
	Preventive Maintenance	4-1
	Periodic Routine Maintenance	4-2
	Replacing the Toner Bottle and Cleaner Pad..	4-2
	Replacing the Print Unit and Internal Cleaning	4-7
	Removing the Print Unit	4-8
	Cleaning the Paper Path	4-10
	Cleaning the Corona Wire	4-10
	Cleaning the Paper Guide before the Corona Wire..	4-11
	Installing the New Print Unit	4-12
	Resetting the Print Unit Counter	4-15
	Cleaning the Precharger Wire	4-17
	Repacking the Printer	4-18

Contents

Chapter 5	Solving Problems	5-1
	Clearing Paper Jams	5-1
	Operational Problems	5-10
	Print Quality Problems	5-11
	Error Indications	5-13
	Action-required Status Indications	5-16
	Printer Status Indications	5-17
	Warning Messages	5-18
Appendix A	Font Samples	A-1
	PCL Mode	A-1
	FPS Mode	A-3
Appendix B	Supplies and Accessories	B-1
	Supplies	B-1
	Accessories	B-1
Appendix C	Specifications	C-1
	Glossary	GL-1
	Index	IN-1
	Fujitsu Offices	Inside back cover

Preface

Thank you for purchasing the Fujitsu PrintPartner 16DV/ADV Page Printer. The PrintPartner 16DV/ADV is a 16-ppm, 600-dpi, laser printer with triple interface consisting of Centronics parallel (type B connector), Centronics parallel (type C connector), and RS-232C serial (DB9 connector). It is compatible with the HP LaserJet 5 printers. The PrintPartner 16ADV or the PrintPartner 16DV with an option is also compatible with PostScript level 2 printers by using the PowerPage© Level 2 interpreter.

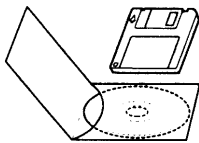
Options available for both 16DV and 16ADV are:

- 1-, 2-, 4-, 8-, 16-, and 32-megabyte memory expansion cards
- Interface expansion boards: LocalTalk and Ethernet C
- Paper trays (trays 1 and 2): A4, A5, letter, legal, and executive sizes
- Paper feeder: Base mechanism plus paper tray (tray 2)
- Duplex unit: Two-sided printing mechanism

Options available for 16DV only are:

- FPS card: PostScript level 2
- Multi-function feeder

Manual and Software Set



The PrintPartner 16DV/ADV has a single user's manual. This user's manual provides a summary of everything for from non-technical users unfamiliar with page printers to highly experienced technical users.

The PrintPartner 16DV/ADV comes with a software set (a CD-ROM and a floppy disk) to supply you with the following items of printer control software.

- Printer Drivers for Windows 3.x, 95, NT 3.51, and NT 4.0, which provide the computer's operating system with the programs that control this printer.

-
- MarkVision™ for Windows 95/NT 4.0, printer management utility programs, which allow you to easily understand the printer (status, statistics, or features) and displays the printer control panel on your computer display to remotely operate the printer.
 - Network Printer Utility for Windows 3.x, which allows you to remotely change or confirm settings of Ethernet C board of the printer or locally check the printer.
 - PPMENU for Windows 3.x and 95, printer remote setup utility program, which allows you to easily customize and program your printer to your computer and software environments, using your computer keyboard and display

The CD-ROM contains all items of the software but the floppy disk contains printer drivers for Windows 3.1/3.11 and Windows 95 only.

Operating Environments

To run a Printer Driver, you need an IBM PC/AT or PS/2 computer or compatible running MS-Windows 3.1/3.11, MS-Windows 95, MS-Windows NT 3.51, or MS-Windows NT 4.0.

To run MarkVision™, you need an IBM PC/AT or PS/2 computer or compatible running MS-Windows 95 or MS-Windows NT 4.0, with at least 9MB of memory available on a hard disk, a CD-ROM drive or a 3.5" double-sided high density (2HD) floppy disk drive, and a VGA (640 x 480 dots) or higher resolution display.

To run the Network Printer Utility, you need an IBM PC/AT or PS/2 computer or compatible running MS-Windows 3.1/3.11, with at least 5MB of memory available on a hard disk, a CD-ROM drive or a 3.5" double-sided high density (2HD) floppy disk drive, and a VGA (640 x 480 dots) or higher resolution display.

To run PPMENU, you need an IBM PC/AT or PS/2 computer or compatible running MS-DOS, with at least 1MB of memory available on a hard disk, a CD-ROM drive or a 3.5" double-sided high density (2HD) floppy disk drive, and a VGA (640 x 480 dots) display. You must also be using PC-DOS version 5.02, MS-DOS version 3.3, or higher version.

Conventions

Icons draw your attention to advisory messages, as illustrated below. A line precedes and follows the message to show where the message begins and ends.



Caution:

Ignoring this information could result in personal injury.



Notice:

Ignoring this information could result in loss of data or harm to your equipment.

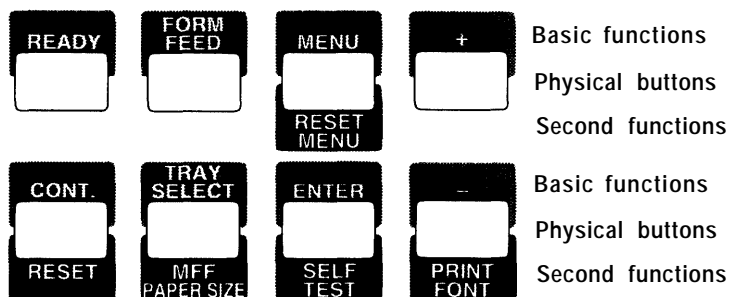


Important:

These notes contain remarks, tips, and other useful supplementary information.

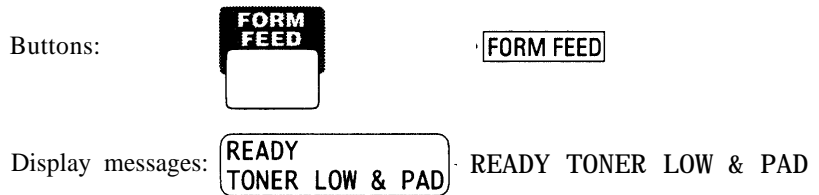
Control Panel

The printer's control panel incorporates two rows of buttons, with each button having one or two labels (see below). The physical button is beneath the rectangular section of no-labeled space. The top label represents the basic function, which is activated by a touch of the button. The bottom label represents the second function, which is activated when you release the button after holding it down more than five seconds.



The control panel has a character display of 16 columns x 2 lines.

In text, the names of the control panel buttons appear as all capital letters inside a box like **READY** and control panel display messages appear in a fixed-spacing font like **READY**. Button names or messages occupying two lines are expressed in a single line shown below.



The asterisk in the display column indicates that the displayed option is currently selected in the selected menu.

Changing Message language

You can select a language used for control panel messages. Selectable languages are English, French, German, Italian, Spanish, and Swedish.

To select a language, follow these steps:

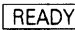
1. Turning the printer on while pressing .

The message **C . P. LANGUAGE ENGLISH** appears after printer initialization.

2. Press the + or - button until the desired language appears. Press the button.

The asterisk appears after the language, indicating the language is selected.

3. Save the selection.

Pressing the  button saves the new setting and returns the printer to the ready state. The printer will display the selected language for messages.

Getting Started

This chapter provides complete setup instructions in the following sections:

- **Getting Acquainted.** Learning the printer's main parts and its paper paths.
- **Getting Ready.** Choosing a suitable location and unpacking the printer.
- **Setting Up.** Assembling the printer.
- **Connecting the Printer.** Selecting an interface and connecting to the computer.
- **Installing a Printer Driver and other software.**
- **Printing Your First Document.**
- **Where to Go from Here.**

Getting Acquainted

The illustrations on the following pages identify the main parts of the printer and two routes of paper feeding. These parts are referred to throughout the manual, so take some time to become familiar with them.

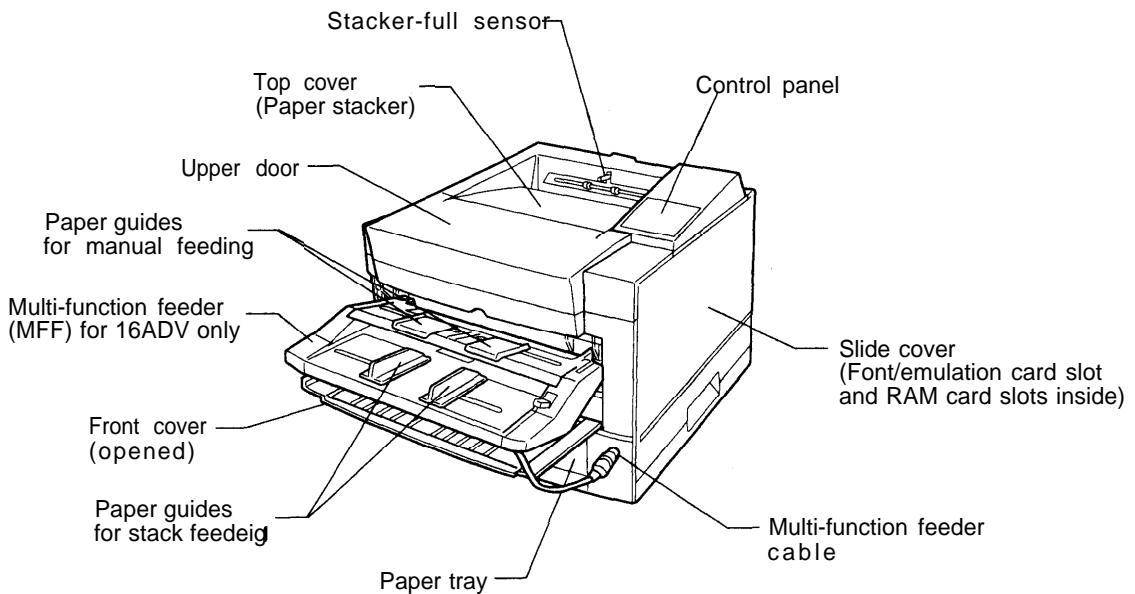


Figure 1-1 Front and right side view

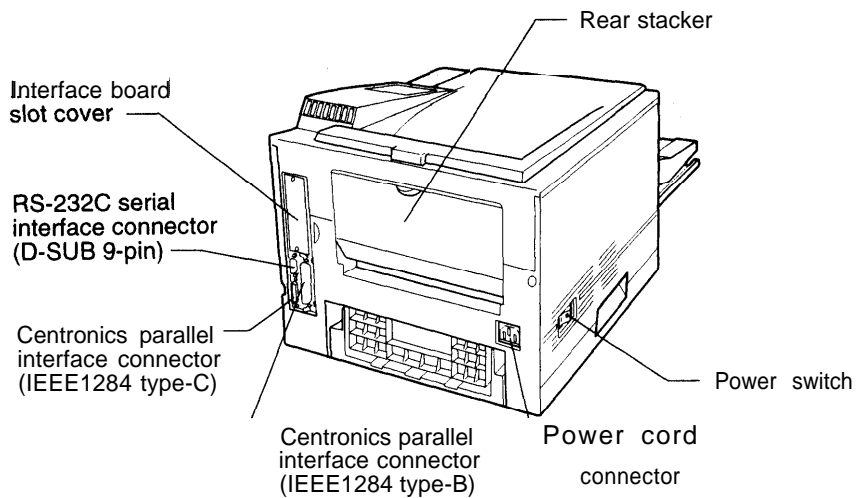


Figure 1-2 Rear and left side view

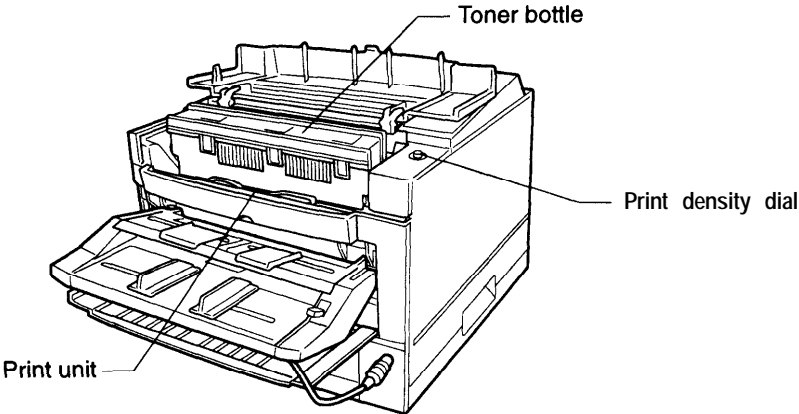


Figure 1-3 Interior view

The path from the paper tray to the top cover is for ordinary paper. The straight path from the manual feed slot or optional multi-function feeder to the rear stacker is for transparencies and envelopes.

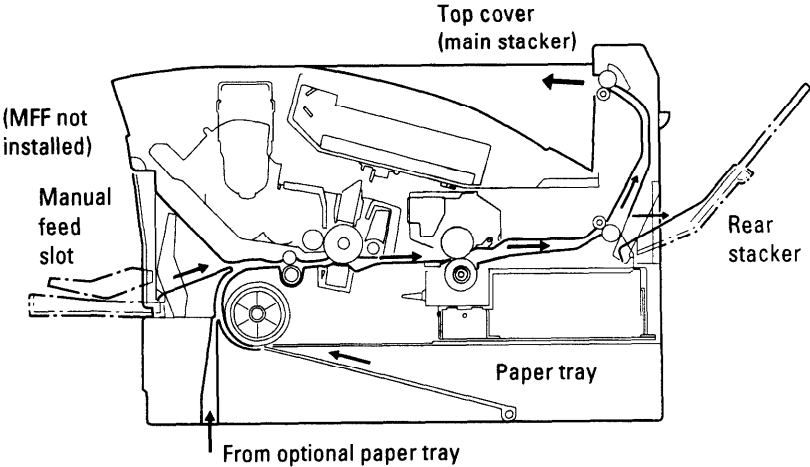


Figure 1-4 Paper paths

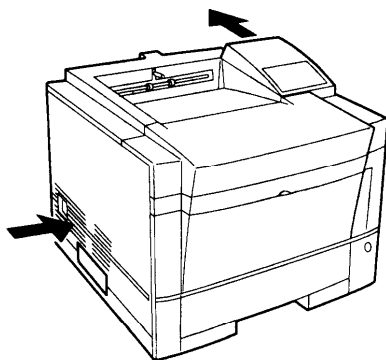
Getting Ready

This section will help you:

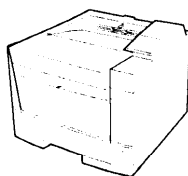
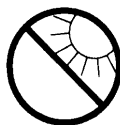
- Choose a suitable location for the printer
- Inventory the parts of the printer as you unpack it

Picking a Suitable location

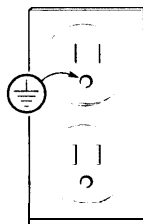
The first step is to pick a suitable location for your printer. For peak performance and usability, follow these guidelines:



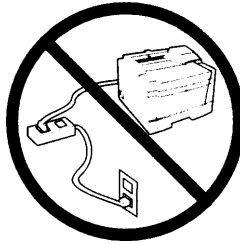
- Place the printer on a sturdy, level surface.
- Choose a room that is well ventilated and free of excessive dust. Leave space on either side of the printer for proper ventilation.



- To avoid exposing the printer to extremes of temperature, do not put the printer in direct sunlight or near a heater. Ideal room temperature is from 10°C to 35°C (50°F to 35°F). Humidity should be between 20% and 80% RH (no condensation).



- Use a grounded AC power outlet. Do not use a three-pronged adapter in an ungrounded outlet.



- Use only the power cord furnished with the printer. Do not use an extension cord.



- Do not touch any connector contacts and corona wires to avoid possible electrostatic damage to the printer.



- Do not use a circuit shared with equipment that causes electrical noise, such as motors.
- Do not use a circuit shared with equipment that uses a lot of power, such as a copier or a coffee maker.

Unpacking and Checking Your Printer

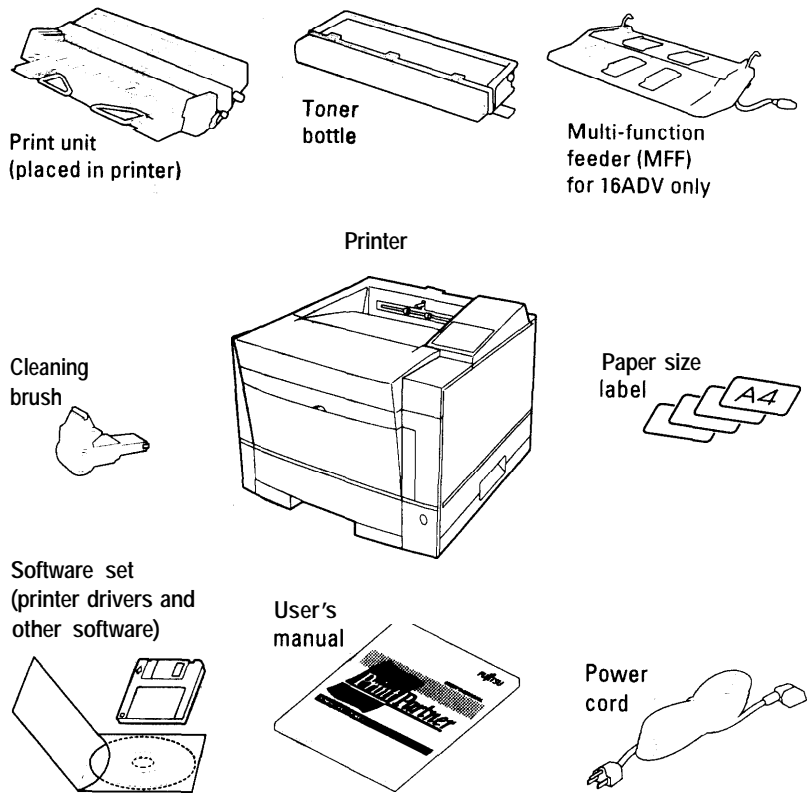
As you unpack the printer, check each item carefully for damage. If you find damage, notify your dealer. Check also that you have received all the items shown below.

This printer comes with everything you need except an interface cable. If you do not yet have a cable, you must purchase one before you can connect the printer to your computer.



Important:

Save the original carton and packing materials in case you need to store or transport your printer.



- An interface cable is not a standard accessory. Please purchase an appropriate cable according to the interface you intend to use.
- The power cord may differ slightly from this figure depending on the country where you purchased the printer.
- The software set consists of:
 - CD-ROM labeled PrintPartner Software
 - Floppy disk labeled Printer Drivers for Windows 95 and 3.1/3.11 (English version only)

Figure 1-5 Printer inventory

Setting Up

This section describes how to assemble the printer and connect the power cord after choosing a suitable location for the printer and checking that you received all the parts.

**GETTING
STARTED**

Preparing the Print Unit and Installing the Toner Bottle

This printer is shipped with the print unit mounted and protective materials attached. Be sure to remove the two protective materials from the print unit. This operation is possible with the print unit mounted. First prepare and install the following two components:

- Print unit (photoconductor drum, developing unit, etc.)
- Toner bottle

The toner bottle first installed after you purchase the printer or a new print unit will last about 2500 printed pages under the condition of 5% coverage on A4 paper. The succeeding toner bottles last about 5000 printed pages each.



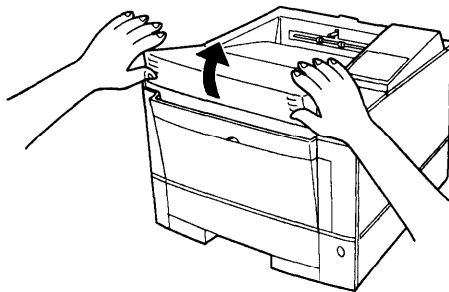
Notice:

Do not touch any connector contacts and corona wires to avoid possible electrostatic damage to the printer.

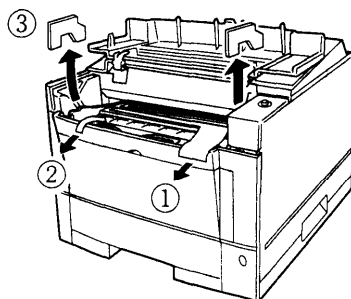
Be careful with the print unit's drum (the green surface). The drum is easily damaged by contamination or by exposure to light for more than three minutes. Follow these guidelines:

- Never touch or scratch the drum surface.
 - When the print unit is not in the printer, store it in a dark place or cover it with a clean sheet of paper.
 - When the print unit is in the printer, keep the printer top cover closed. If you must work inside the printer for more than three minutes, remove the print unit with the toner bottle mounted and store it in a dark place.
-

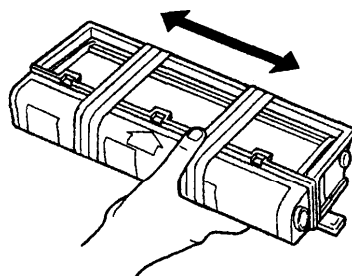
To prepare the print unit and install the toner bottle, follow these steps:



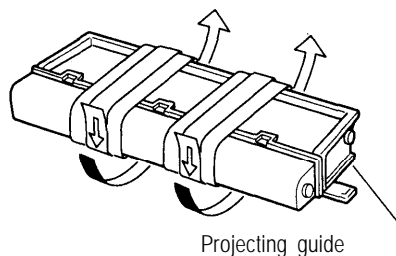
1. **Open the upper door.** Lift the milled portions at the front left and right of the upper door to open it.



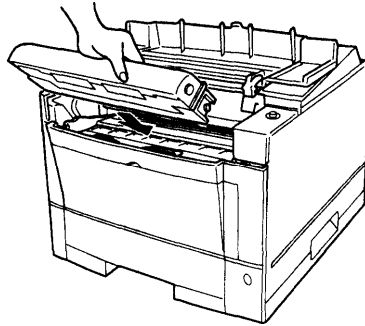
2. **Remove the protective materials from the print unit.** Remove protective sheet 1 Pull clear tape 2 until its blue end is visible and remove it. Remove two restraint cushions 3



3. **Remove the toner bottle from its bag.**
4. **Shake the toner bottle by moving it back and forth in a horizontal motion several times.**



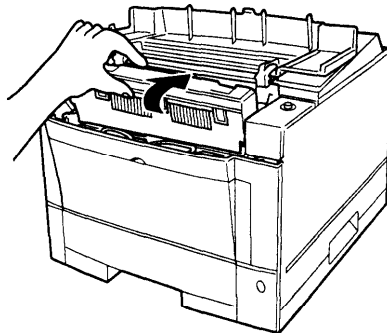
5. **Remove the plastic seal from the toner bottle.** Gently pull off the seal being careful not to spill toner. Handle to seal carefully to avoid staining your hands or clothes.



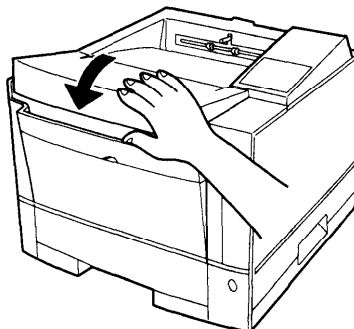
6. **Install toner bottle.** Slide both projecting guides of the toner bottle into the grooves of the print unit.

**Notice:**

If you have installed the toner bottle, do not remove it from the print unit until it is empty. This could cause toner to spill into the printer.



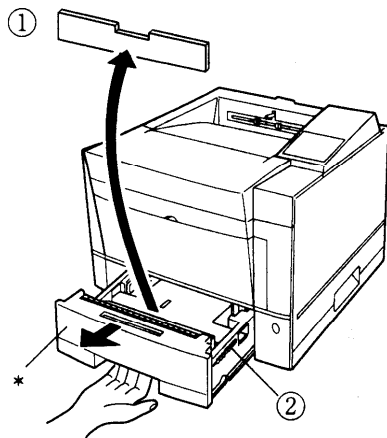
7. **Lock the toner bottle.** Push the toner bottle forward until it clicks into place. (The bottle stands nearly upright when installed correctly.)



8. **Close the printer's upper door.** Press down firmly on the front portion of the upper door and make sure the upper door is locked completely.

loading Paper and Installing the Paper Tray

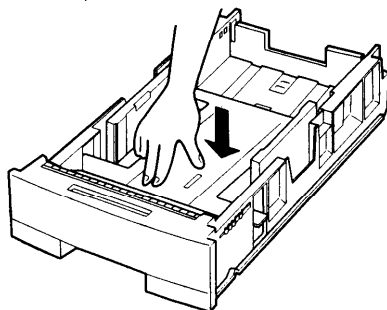
This printer has a single paper tray that is preset for letter size (8.5 x 11.0 inches) paper for U.S. customers and to A4 size (210 x 297 mm) paper for European customers. (You can adjust the paper tray to a different size paper. See Chapter 2. You can purchase an optional paper tray. See Chapter 3 and Appendix B.) You should load about 50 sheets of copier paper to test the printer.



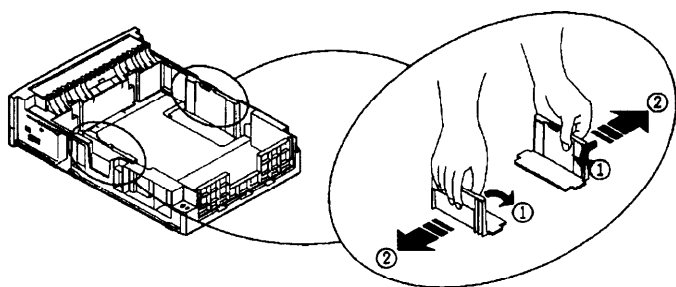
1. Pull the paper tray out of the printer.

2. Prepare the paper tray.

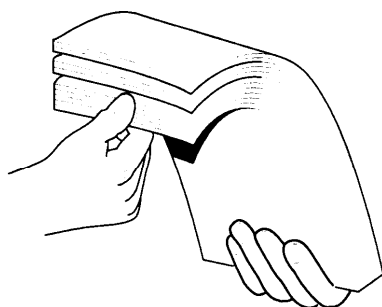
Remove restraint card board **1** and tapes securing the rear paper guide. Check green indicator **2** is positioned according to the tray size label (*).



3. Lock the pressure plate. If the front of the pressure plate is raised, push it down until the pressure plate clicks into place.



4. Widen the side guides. While bending both side guides inward **1**, push their inner PUSH marks outward **2**.



5. Prepare a paper stack.

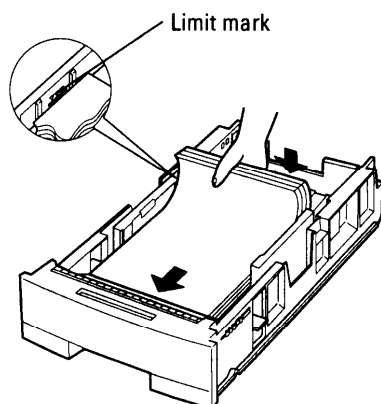
Prepare paper of the size indicated by the size label (*). Fan the paper stack both ways to prevent sheets from sticking together.



Notice:

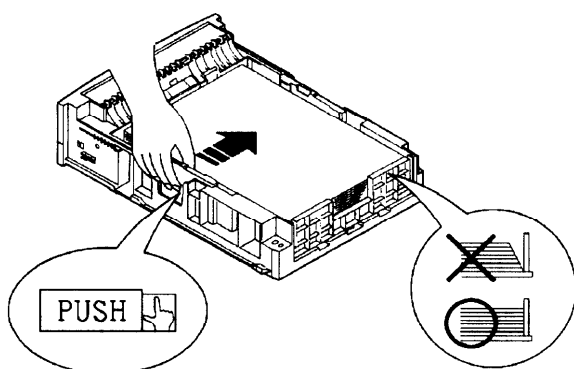
Put the paper stack in the paper tray with the printing side faced down.

If paper is curled, remove the curl.



6. Load the paper. Place the front portion of the paper stack on the tray and slide it backwards so that the stack is placed under the two stoppers. Gather the edges of the stack together to ensure correct positioning of paper in the tray.

Make sure the stack does not exceed the limit mark.

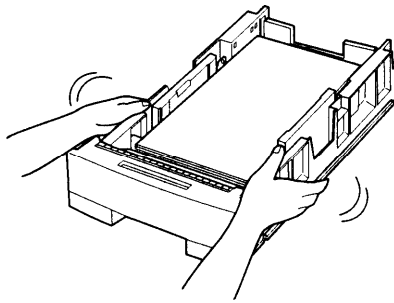


7. Adjust the side guides.

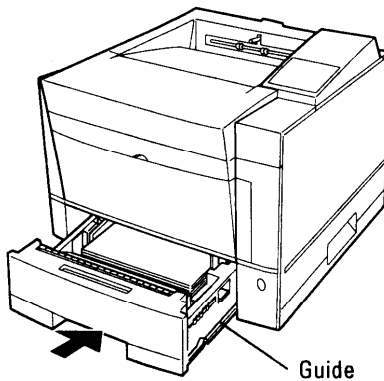
Push the outer PUSH mark of either side guide to the width of paper. Align the rear edges of the paper stack.

Bad placement

Good placement



8. Arrange paper edges. Rock the paper tray to gather the edges of the stack together to ensure correct positioning of paper in the tray.

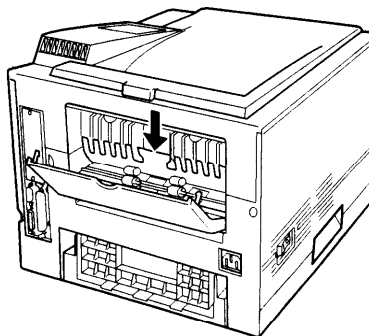


9. Install the paper tray. Align the sides of the tray with the guide grooves of the tray slot (the left groove is engraved with a arrow) and firmly slide the tray all the way into the slot.



Notice:

You cannot install the paper tray with the pressure plate raised.



10. Remove the adhesive tape which secures the rear stacker. Open the rear stacker and make sure the paper guide is pushed down in the locked position. Close the rear stacker.

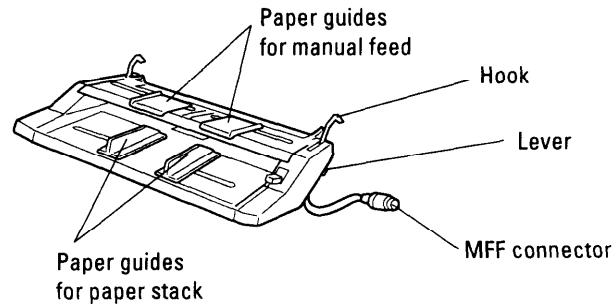


Notice:

If the paper guide is not in the locked position, the printer will not work.

Installing the Multi-function Feeder

The multi-function feeder (MFF) is useful to print a lot of envelopes or transparencies. The MFF is optional for 16DV printers. It can hold and deliver 100 sheets of 0.09 mm thick paper or 30 envelopes. Note that the printer works if the MFF is not installed.



Notice:

When using paper, do not leave the paper in the multi-function feeder for long time. It may cause waving of paper and dropouts in printing.

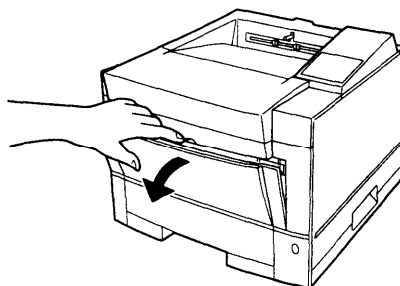
Because the MFF does not have a mechanism that detects the physical size of paper in use, you must inform the printer of the paper size. Use the MFF paper size menu to select a paper size which equals the size of paper loaded in the MFF.

To install the multi-function feeder, follow these steps:

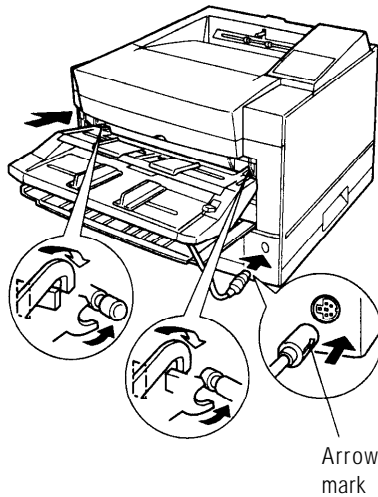


Notice:

Be sure that the printer is turned off before installing or removing the multi-function feeder.



1. Open the front cover.



2. Fasten the feeder to the printer. Insert the left and right supports and hooks of the multi-function feeder into the corresponding openings at the front of the printer so that the hooks catch the pins firmly.

3. Connect the feeder cable. Connect the feeder cable to the connector at the right side of the printer. Orient the arrow mark of the cable's connector right.



Notice:

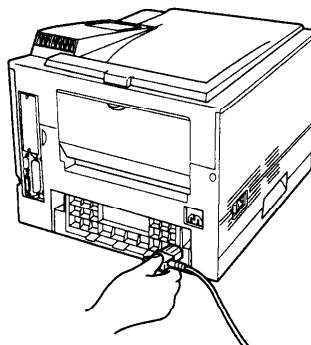
To avoid paper jams or other feeding errors, make sure that each of the left and right hooks securely hangs on the pin.

Connecting the Power Cord

This printer comes equipped with one of the two voltage ratings:

- 120 VAC (such as for the USA)
- 220 to 240 VAC (such as for Europe)

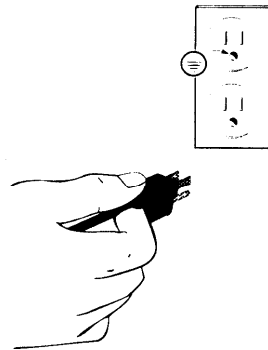
The manufacturer's nameplate on the back of the printer indicates this rating. Confirm that the rated voltage of your printer matches the voltage of your power outlet.



1. Check that the printer is turned off. The "O"-marked side of the switch should be depressed.

2. Plug the female end of the power cord into the connector on the left back of the printer.

3. Plug the male end into a wall outlet.



Caution:

For your safety, use only a properly grounded outlet. To avoid possible electromagnetic interference or power supply problems, do not use an extension cord.

Connecting the Printer to Your Computer

This section explains how to connect the printer to your computer via the parallel or serial interface.



Notice:

The following restrictions apply to interface cables:

- To comply with regulations for radio frequency emissions, use only shielded cable for computer-to-printer communications.
- The length of the parallel interface cable must be 3 meters (10 feet) or less.
- The length of the serial interface cable must be 15 meters (50 feet) or less.

About Interfacing

You can connect the printer to your computer using a standard parallel or serial interface. Generally use the parallel interface or the serial interface. However, if your computer is used as a network printer, use the optional LocalTalk or Ethernet interface.

- **Parallel (Centronics) or serial (RS-232C)**

Use a serial interface if the printer is not near the computer. Many computers have both parallel and serial interface ports. Serial communication can operate up to 15 meters (50 feet). Parallel communication is normally limited to 3 meters (10 feet).

- **LocalTalk (option)**

Use the LocalTalk interface if the printer is connected to a Macintosh network.

- **Ethernet C (option)**

Use Ethernet C if the printer is used in a NetWare or TCP/IP corresponding.

Whichever interface you use, the printer automatically detects the interface that the computer is using.

For these options refer to Chapter 3.

Connecting to the Parallel Port

This printer does not come with a parallel interface cable. You can use the following two types of Centronics interface cables (sold separately) for this purpose. Your dealer can advise you on the cable you require.

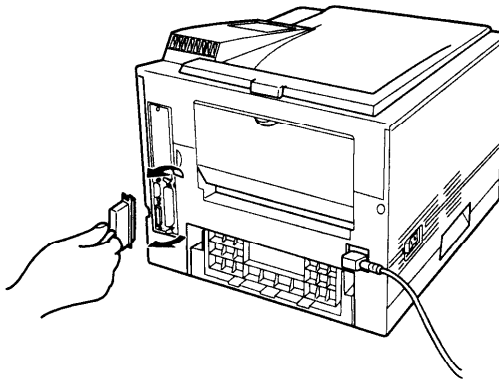
- Centronics cable with IEEE 1284 type B connector at the printer side
- Centronics cable with IEEE1284 type C connector (half size) at the printer side



Notice:

Be sure the printer is turned off before connecting the interface.

Do not touch any connector contacts or corona wires to avoid possible electrostatic damage to the printer.



To make the connection, plug the cable connector into the parallel interface port on the back of the printer. Secure the connector with the wire clips. Plug the other connector into your computer's parallel port. Consult your computer documentation if you need help.

Connecting to the Serial Port

Connecting to the serial port involves the following tasks:

- Connect the interface cable to the printer and your computer.
- Print out the status report to check the serial parameter settings.

Connecting the Serial Interface Cable

To connect to the serial interface port, you need a cable correctly wired for this printer and your computer. The cable must also have the proper connectors. Your dealer or technical support person can supply you with the proper cable.

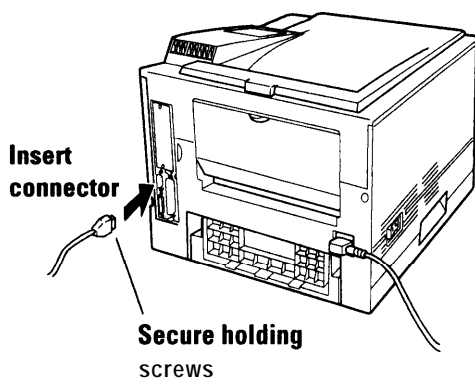
The serial interface of this printer requires a null-modem cable with a male D-SUB 9-pin connector at the printer side. Refer to your computer documentation for the type of connector required by its serial port.



Notice:

Be sure that the printer is turned off before connecting the interface cable.

Do not touch any connector contacts to avoid possible electrostatic damage to the printer.



To make the connection, plug the cable connector into the serial interface port at the back right of the printer. Secure the connector by tightening the screws in the connector hood. Plug the other connector into your computer's serial port. Consult your computer documentation if you need help.

Verifying Serial Parameter Settings

Next, you must make sure the serial parameter settings are the same between the computer and the printer. Consult your computer and software documentation to determine the settings your computer uses. Then compare these to the printer's settings in the following table.

Item	Parameter setting (printer side)
Baud rate	9600 (fixed)
Data bits	8 (fixed)
Stop bits	1 (fixed)
Parity	None (fixed)
Pacing (protocol)	DTR (default)
DTR polarity	HI (default)
ROBUST (XON/XOFF)	On (default)
Printer port	COM 1 (default)

If the settings match, the installation is complete. If the interface parameters of the printer and the computer do not match, the message display indicates COMM.ERROR. The printer may not respond at all or it may print wrong characters. Change the settings in one of the two ways:

- Change options of the serial menu in setup mode.
- Set permanent defaults in your computer to match the printer's defaults.

On an IBM PC or compatible computer running MS-DOS, you can set permanent defaults by placing the following commands in your AUTOEXEC.BAT file:

```
MODE COM 1:9600,N,8,1,P
```

```
MODE LPT1:=COM1:
```

Also make sure that the file MODE.COM is in your boot directory. Then whenever you boot your computer, the computer will print through the serial port using the printer's settings.



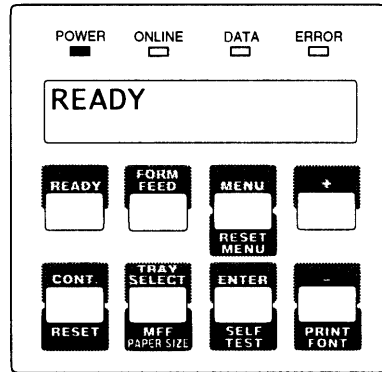
Important:

For information on DOS files and commands, consult your DOS manual or the manual supplied with your computer.

Note that you may also be able to specify serial parameters through your software programs. Some software programs allow you to specify the printer port and serial settings from within the program. Consult the documentation supplied with the software.

Printing a Test Page Offline

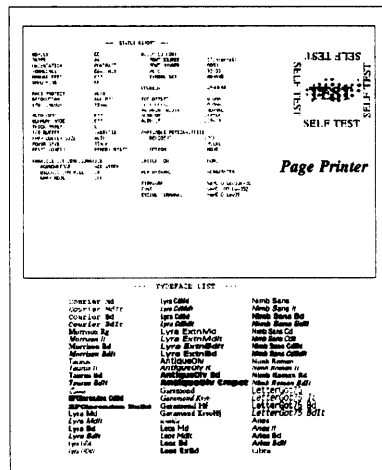
The printer has a status report function which prints a page summarizing printer option settings and showing samples of resident fonts. Use this function to check the printer performance offline.



1. Turn the printer on. The printer initializes the mechanism and then enters the ready state. The message display indicates <<<I N I T I A L I Z E>>>, W A R M I N G U P, then READY.

2. Print a test page offline.

Press the **READY** button to put the printer offline (the ONLINE indicator turns off). Press the **SELF TEST** button for more than five seconds. The message display indicates **PC L CONFIG PAGE**. Press the **ENTER** button to start printing.



The message display indicates **SE L F TEST** and the DATA indicator flashes. A status report page is printed.

Check that the printing is successful.



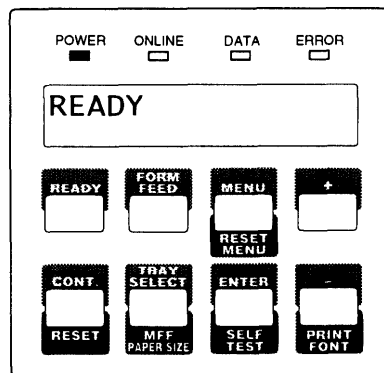
Notice:

For PP16DV with the FPS card (option) installed or for PPI6ADV, you can select **FPS CONFIG PAGE** by pressing the + or - button while the message display indicates **PCL CONFIG PAGE**

Selecting an Emulation

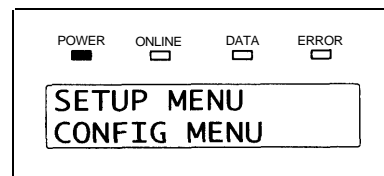
The PrintPartner 16ADV has two emulations (PCL and FPS) as a standard feature, but the PrintPartner 16DV has PCL as standard and FPS as optional. You can use these emulations to connect your printer to different computers. PCL emulates HP LaserJet 5 printers and FPS emulates PostScript Level 2 compatible printers by the PowerPage© Level 2 interpreter.

When the printer has both emulations, it automatically selects the active emulation with default settings. To specify an emulation, select the emulation using the control panel. Use the Personality menu of the Config menu as shown below.

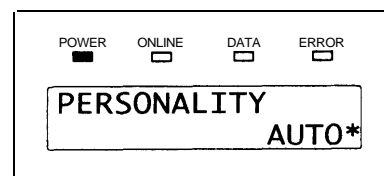


1. **Enter setup mode.** Press the **READY** button to put the printer offline (the ONLINE indicator turns off). Then, press the **MENU** button briefly six times.

The message display indicates **SETUP MENU CONFIG MENU**.



2. **Select the Personality menu.** Press the **ENTER** button briefly. The message display indicates **PERSONALITY AUTO***.



3. **Select emulation.** Press the **ENTER** button briefly. The option **AUTO** changes to **PCL**, **PS**, then back to **AUTO**. Press the **READY** button when the desired option is displayed.

The selected emulation is selected (an asterisk is followed). Once you change the emulation, the other menus automatically change to reflect the options and functions of the new emulation. For details of the setup menu, see Chapter 2.

Installing a Printer Driver

Now that you connected your printer to the parallel port of the computer, you are ready to install a Windows printer driver into your computer. The Windows printer driver is essential for controlling your printer in Microsoft Windows environments. Several printer drivers are contained in the attached software set consisting of a CD-ROM and a floppy disk.

Printer drivers in the CD-ROM are:

- Standard drivers for Windows 3.1/3.11
- FPS drivers for Windows 3.1/3.11
- Standard drivers for Windows 95
- FPS drivers for Windows 95
- Standard driver for Windows NT 3.51
- FPS driver for Windows NT 3.51
- Standard driver for Windows NT 4.0
- FPS driver for Windows NT 4.0

Printer drivers in the floppy disk are:

- Standard drivers for Windows 3.1/3.11
- Standard drivers for Windows 95

Standard drivers are to be installed when your printer is used as a PCL printer and FPS drivers are to be installed when your printer is used as a PostScript printer.

When you are using Windows 95 or Windows NT 4.0, it is recommended that you should install a printer driver using MarkVision™ because the printer driver is reinforced with MarkVision™ features such as remotely changing settings of a network printer and checking status of a network printer. For MarkVision™, see the next section.

To install a printer driver in Windows 95, note the following:

- When you install the printer driver, the original OS (CD-ROM or floppy disks) is required during installation.
- When MarkVision™ for Windows 95 may be already installed, select a printer name followed by (MV) in the Printers window. When MarkVision™ is not installed, select a printer name not followed by (MV).

Get to Know Your Printer Driver

The Printer Driver has two functions:

1. it automatically translates formatting choices, such as tab settings or boldface type, into commands the printer understands.
2. it allows you to set up the printer according to your needs.

If you encounter problems with this installation, confirm that your configuration corresponds to the minimum requirements listed on page vi at the start of this manual. If the configuration corresponds to these requirements and troubles persist, contact your dealer for assistance.

When running application programs under Windows, you select the printer type in the application program itself before you print a document.



Notice:

If you encounter conflicts with other already installed external drivers that use bidirectional communication on the Centronics port or with drivers of other dedicated Windows printers used in parallel with this printer (conflicts like the failure to establish communication between the Printer Driver and the printer), remove these from Windows and reinstall the PrintPartner 16DV/ADV Printer Driver.

Printer Drivers Supplied by the CD-ROM

To install printer drivers contained in the CD-ROM, see the booklet "Quick Start" enclosed in the CD-ROM envelope.

Printer Drivers Supplied by the Floppy Disk

To install the Windows 3.1/3.11 or 95 Printer Standard Drivers contained in the floppy disk, follow these steps:

Standard Printer Driver for Windows 3.1/3.11

1. Start Windows.
2. Insert the PrintPartner 16DV/ADV Printer Driver disk into the 3.5 inch floppy disk drive of your computer.
3. From the Windows Program Manager, select the "File" menu and choose the "Run" command.
4. Type "A:\Install" or "B:\Install" and press the "Enter" key.

The following printer drivers can be installed:

- PrintPartner 12V (PCL6)
- PrintPartner 12V (PCL5e)
- PrintPartner 16DV (PCL6)
- PrintPartner 16DV (PCL5e)
- PrintPartner 16ADV (PCL6)
- PrintPartner 16ADV (PCL5e)

PCL6: PCL6 printer language emulation

PCL5e: PCL5e printer language emulation

5. From here, follow the prompts displayed by the install program.

Standard Printer Driver for Windows 95

The Windows printer driver can be installed by either of the following two methods. The former, plug and play printer detection, applies when Windows 95 is started with the printer ready. The latter, set-up from Printers folder, applies when the printer is on after Windows 95 has been started.

Plug and Play Printer Detection

1. Windows 95 automatically detects the printer at installation time or during the boot process.
2. Plug and Play detection code will prompt the user for the appropriate files, if they are not already resident in the Windows directory, by displaying the "New Hardware Found" dialog box.

3. From the “New Hardware Found” dialog box, click “Cancel”.
4. Click the “Start” button and click “Run...”.
5. Type “A:\Install” and click “OK”.

The following printer drivers can be installed:

- PrintPartner 12V (PCL6)
- PrintPartner 12V (PCL5e)
- PrintPartner 16DV (PCL6)
- PrintPartner 16DV (PCL5e)
- PrintPartner 16ADV (PCL6)
- PrintPartner 16ADV (PCL5e)

PCL6: PCL6 printer language emulation

PCL5e: PCL5e printer language emulation

6. From here, follow the prompts displayed by the install program.

Install from “Start” Button

1. Click the “Start” button and click “Run...”.
2. Type “A:\Install” and click “OK”.

The following printer drivers can be installed:

- PrintPartner 12V (PCL6)
- PrintPartner 12V (PCL5e)
- PrintPartner 16DV (PCL6)
- PrintPartner 16DV (PCL5e)
- PrintPartner 16ADV (PCL6)
- PrintPartner 16ADV (PCL5)

PCL6: PCL6 printer language emulation

PCL5e: PCL5e printer language emulation

3. From here, follow the prompts displayed by the install program.

The Fujitsu PrintPartner 16DV/ADV Windows 95 Standard Printer Driver is now installed.

For further details, see the driver’s Readme file.

Installing Other Software

This section provides information about the two kinds of printer management software contained in the CD-ROM supplied with this printer. The topics are:

- *PPMENU* Enables you to remotely control or configure your printer's features from your computer's screen.
- *Mark Vision™*: Monitors printer status (status is displayed with text and graphics), displays optional printer's features, and cooperates with printer drivers. It also describes the printer control panel function by which MarkVision™ allows you to remotely operate your printer from the printer control panel displayed on your computer's screen.

Note that PPMENU is available in Windows 3.1/3.11 or Windows 95 environments and MarkVision™ is available in Windows 95 or Windows NT4.0 environments.

PPMENU

Generally, the printer driver controls the printer. You can also control the printer using the remote setup utility program called PPMENU, stored in the attached CD-ROM.

PPMENU allows you to easily change your printer's features directly from your computer. You use it to configure your printer to suit the requirements of your computer, software, and documents to be printed.

The parameters you can change using PPMENU affect page layout, font, and printer control. If your software programs have printer drivers, those printer drivers control the parameters for you. Therefore, it may not be necessary to change the settings using PPMENU.

PPMENU needs to be installed only if you will print from DOS or DOS based applications.

To install PPMENU, see the booklet "Quick Start" enclosed in the CD-ROM envelope.

For more details and the latest modifications, refer to the "ReadMe.txt" file concerning PPMENU.

Lexmark's MarkVision™

MarkVision™ by Lexmark is an integrated software for managing printers, contained in the CD-ROM. It has the following main functions:

- Monitoring the printer
- Displaying the printer status and features (including options) and statistics
- Providing the printer control panel on the computer's screen (Remote control panel)

These functions are most effective and valuable for remote printers in network environments.

MarkVision™ is automatically activated when an abnormal condition occurs in the printer. It operates in Windows 95 environments only.

The remote control panel is quite a nice function that enables you to easily and remotely operate the printer even if your printer is set up remotely. MarkVision™ displays the printer control panel on the computer's screen and gives you the exactly same functions as available with the control panel of the printer. You can perform a function by clicking a button on the computer's screen without pushing a button of the printer's control panel.

To install MarkVision™, see the booklet "Quick Start" enclosed in the CD-ROM envelope.

For more details and the latest modifications, refer to the "ReadMe. txt" file concerning MarkVision™.

Printing Your First Document

Your printer should be set up and connected to your computer. This section explains how to test your installation setup by printing a trial document from an application program under Windows. To test the printer alone, without your computer, you can use the status report printing which does not require the use of a computer. See **Printing a Status Report** in Chapter 2.

Turn on your printer and observe the initialization sequence. If no RAM (extra memory) cards have been installed, the sequence lasts about one minute, during which the following events occur:

- The printer conducts a number of self-checks.
- The main motor rotates to check mechanical functions and clean the drum.
- The message display indicates READY, indicating the printer is ready for printing.

The following procedures show you how to print your trial document.

To print a trial document, follow these steps:

1. Start Windows and a Windows application.

2. Open your trial document.

Select an existing or start a new document. Choose a small document for the first trial.

3. Select PP16DV/ADV as the document printer.

In most programs, you make the selection in a print menu. Consult your program documentation for the exact procedure.

4. If desired, change the font(s) in the document to one of the fonts offered by your application.

5. Check the printer.

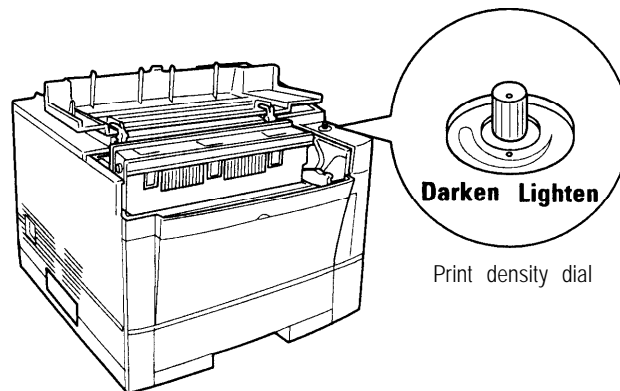
Look in the main window of the Print Manager to make sure the printer is activated.

6. Print your document.

Start the program. The default paper size is fixed to A4 (for Europe) or Letter (for the USA). However, you can print a document on a different size of paper using the manual feed slot which you can choose in the Printer Driver's main window.

Adjusting Print Density

If you feel that the printout is too light or too dark, adjust the print density by turning the print density dial. It is located inside the top cover above the control panel. Turning the dial clockwise darkens the print. A counterclockwise adjustment lightens the print. After making the adjustment, close the top cover, print your trial document again, and check the results.



If you see a problem with the printed pages other than print density, see Chapter 5 for possible causes and solutions.

If your document printed successfully, skip the next subsection **If Something Goes Wrong.**

If Something Goes Wrong

This section briefly discusses the most common problems you might encounter. For more complete troubleshooting information, see Chapter 5. Chapter 5 also describes all printer error and status indicators.

Problem	Remedy
No response by printer	Ensure that: <ul style="list-style-type: none"> • The printer is turned on and online. The ONLINE indicator should be lit. • The cable from the computer to the printer is properly connected at both ends. • Your software program has sent the print data to the printer. Many programs have a printer control function that shows print
No printout; DATA indicator on	The printer has received data from the computer but has not printed the page. To print the page, put the printer offline by pressing [READY] briefly then press [FORM FEED] .
Unreadable printout	Possible causes and solutions are: <ul style="list-style-type: none"> • A wrong printer driver is selected. Select the PrintPartner 16DV/ADV printer driver as the document printer. • The document contains unknown printer commands. Remove any setup strings or embedded commands, or print the document with a Text only or ASCII text print option.

Where To Go From Here

GETTING
STARTED

To help you enhance or customize the printer, the user's manual contains the following additional information:

- To get information on how to use the control panel and on handling various types of paper, see Chapter 2.
- To customize printer defaults, see Chapter 2.
- To install additional memory, see Chapter 3.
- To install an additional interface, see Chapter 3.
- To install an additional paper tray, see Chapter 3.
- To install a duplex unit, see Chapter 3.

The FPS card and the multi-function feeder are optional for the PrintPartner 16DV.

- To install an FPS card, see Chapter 3.
- To install a multi-function feeder, see the previous section in this chapter.



Printing and Paper Handling

This chapter provides information you may need for day-to-day printing. The topics are:

- Control panel tutorial

The tutorial describes the indicators, message display, and buttons. It includes an example of how to use the control panel.

- Control panel functions

This section describes the functions by buttons.

- Menu functions

This section describes how to use the control panel for customizing printer defaults.

- Handling paper

This section describes how to print on various types of paper.

Control Panel Tutorial

This section introduces the printer's control panel, beginning with a description of the indicators, message display, and buttons. The tutorial describes the use of the buttons in some detail and follows with an example.

The Control Panel

The control panel consists of four indicators, a message display, and eight buttons. The physical buttons are beneath the LCD display. The top row of labels represents basic functions. The bottom row of labels represents secondary functions. See later in this section for a list of functions.

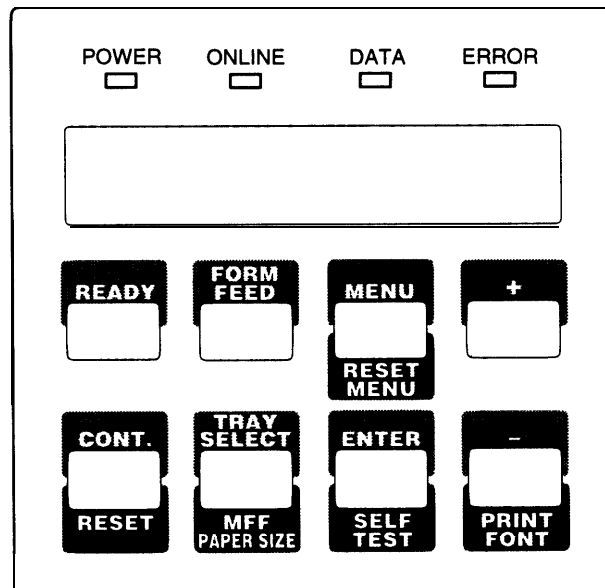


Figure 3-1 Control panel

Indicators

The control panel has four labeled LED indicators across the top.

Indicator	Meaning
POWER	Indicates printer power is on.
ONLINE	Indicates the printer is online and ready to print.
DATA	Flashes when data is being sent from your computer. Lights steadily to indicate the printer's buffer contains unprocessed data.
ERROR	Indicates a printer error has occurred. Details are indicated by the message display.

Message Display (LCD)

The message display uses a liquid-crystal display representing status and errors by two lines of sixteen characters. In operating mode, it may show:

- What the printer is doing
- Whether the printer is ready to print
- When paper should be added
- When paper should be manually inserted
- When the toner bottle needs to be replaced
- When the print unit needs to be replaced
- An error message condition such as paper jam



Important:

A “Ready” message means the printer has no data to print without any errors and the **READY** button is not pressed.

the printer detected an error or the **READY** button was pressed in the Ready state.

Error messages inform you of conditions requiring your attention, such as **TRAY n PAPER OUT, COVER OPEN n**, or **PAPER JAM n**. They also warn you of hardware problems, such as **FUSER FAILURE** or **BD CYCLE ERROR**. The **TONER LOW & PA D** message informs you that the toner bottle needs replacement. See Chapter 5 for a complete list of messages and explanations.

In tray select mode or MFF paper size mode, the message display shows the selected tray or the selected paper size respectively. In menu mode, the message display shows menu items and option selections. These modes are explained later in this chapter.

Buttons

One or two functions are assigned to a button. To use the functions represented by the top labels, simply press the button. To use the functions represented by the bottom labels, press and hold down the button for five or more seconds. The following tables summarizes the functions.

Pressing the button briefly

Except for the **READY** button, the following buttons are also valid when the printer is offline.

Button (top label)	Function
READY	Switches the printer between online and offline.
FORM FEED	Performs a form feed to print the remaining data.
CONT.	Clears a recoverable error and continues printing.
TRAY SELECT	Puts the printer in tray select mode which allows you to select the paper tray to be used.
MENU	Puts the printer in setup mode.
ENTER	Selects the displayed option as the printer default. This button and the two buttons below are valid in setup, tray select, or MFF paper size mode.
+	Displays the next option.
	Displays the previous option.

Pressing and holding down the button for five or more seconds

The following buttons are also valid when the printer is offline.

Button (bottom label)	Function
RESET	Clears the buffer of any print data and puts the printer through its initialization sequence.
RESET MENU	Besides the above reset function, resets all printer operation options to their factory default values except interface settings (parallel menu, serial menu, and network menu).
MFF PAPER SIZE	Puts the printer in MFF paper size mode, which allows you to select the paper size to be used.
SELF TEST	Selects the self test menu, which lists printer operation options currently selected.
PRINT FONT	Selects the print font menu, which lists the fonts currently available.

Control Panel Functions

Changing Message language (**MENU**)

You can select a language used for control panel messages. Selectable languages are English, French, German, Italian, Spanish, and Swedish.

To select a language, follow these steps:

1. Turning the printer on while pressing **MENU.**

The message **C . P . LANGUAGE ENGLISH** appears after printer initialization.

2. Press the + or - button until the desired language appears. Press the **ENTER button.**

The asterisk appears after the language, indicating the language is selected.

3. Save the selection.

Pressing the **READY** button saves the new setting and returns the printer to the ready state. The printer will display the selected language for messages.

Printing Data Remaining in the Buffer (**FORM FEED**)

Pressing **FORM FEED** tells the printer to advance to the next page. The practical effect is to print any data remaining in the buffer. For example, the buffer might contain data from an interrupted print job. When the buffer contains residual data, the control panel **DATA** indicator is steadily lit.

Clearing an Error Condition to Continue Printing (**CONT.**)

When a recoverable error occurred, pressing ; **CONT.** clears the error condition and continues printing. For example, you can resume printing after adding paper in response to a **TRAY1 PAPER OUT** message. You can use **CONT.** to ignore a message such as **LOAD TRAY1 A4**. For example, you might want to print a page with A4-size format on a letter-size sheet. **CONT.** also allows you to override the **INSERT A4** prompt when feeding paper manually. By pressing **CONT.**, the printer prints from tray1 (MFF) instead.

Clearing the Buffer and Reinitializing the Printer (**RESET**)

Pressing and holding down **RESET** for five or more seconds clears the print buffer and tells the printer to initialize itself. You might use this function if you cancel a print job in the middle and want to clear the printer and start over. In this case, permanently downloaded fonts are removed by the initialization process. You must download the fonts again.

Selecting the Self Test Menu (**SELF TEST**)

Pressing **SELF TEST** puts the printer into the self test menu which allows you to print a status report which lists printer operation options currently selected in the selected emulation.

To select the self test menu and print a status report, follow these steps:

1. **Make sure that the message display indicates **READY** with the **ONLINE** and **DATA** indicators off.**

2. **Press the **SELF TEST** button for five or more seconds.**

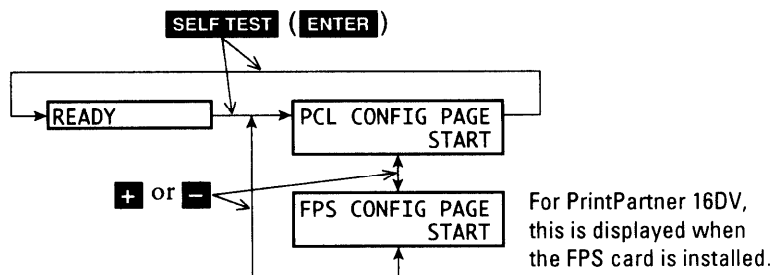
The message changes to **PCL PAGE CONFIG START**.

3. **Select a desired emulation. (PrintPartner 16ADVonly)**

Press the + or - buttons until the desired emulation appears.

4. **Start printing.**

Press the **ENTER** button. The message display indicates **SELF TEST** and the **DATA** indicator flashes, then a status report page is printed.



--- STATUS REPORT ---

COPIES : 001	SELECTED FONT	
PAPER : A4	FONT SOURCE : I(Internal)	
ORIENTATION : PORTRAIT	FONT NUMBER : 0000	
FORM LINES : 064 LINES	PITCH : 10.00	
MANUAL FEED : OFF	SYMBOLSET : ROMAN8	
SMOOTHING : ON	COURIER : REGULAR	
PAGE PROTECT : AUTO	TOP OFFSET : 0.0 mm	
RESOLUTION : 600 DPI	LEFT OFFSET : 0.0 mm	
I/O TIMEOUT : 15sec.	A4 PRINT WIDTH : NORMAL	
AUTO CONT : OFF	AUTO CR : LF=LF	
ECONOMY MODE : OFF	AUTO LF : CR=CR	
THICK PAPER : OFF	AVAILABLE PERSONALITIES	
I/O BUFFER : 16KBYTES	RESIOENT : PCL	
NPAP BUFFER SIZE : AUTO	OPTION : PCLXL	
PUWER SAVE : 15min.	OPTION : NONE	
RESET CONFIG : MEMORY RESET	OPTION FONT : NONE	
PARALLEL I/F CONF : GURATION	MEMORY (RAM) : 4096KBYTES	
ACKNOWLEDGE : ACK WIDTH 1	F I RMWARE : Ver 0.0 Lev004-00	
BIDIRECTION MODE : ON	FONT : Ver 01.00 Lev002	
NPAP MODE : OFF	ENGINE FIRWARE : Ver 0.0 Lev01	

SELF TEST

SELF TEST

TEST

SELF TEST

Page Printer

--- TYPEFACE LIST ---

Courier Md	Lyra CdMd	Nimb Sans
Courier MdIt	Lyra CdMdt	Nimb Sans It
Courier Bd	Lyra CdBd	Nimb Sans Bd
Courier BdIt	Lyra CdBdt	Nimb Sans Bdt
Morrison Rg	Lyra ExtnMd	Nimb Sans Cdt
Morrison It	Lyra ExtnMdt	Nimb Sans Cdt
Morrison Bd	Lyra ExtnBdt	Nimb Sans CdBd
Morrison Bdt	Lyra ExtnBd	Nimb Sans CdBdt
Taurus	AntiqueOlv	Nimb Roman
Taurus It	AntiqueOlv It	Nimb Roman It
Taurus Bd	AntiqueOlv Bd	Nimb Roman Bd
Taurus Bdt	AntiqueOlv Cmpct	Nimb Roman Bdt
<i>Coronal</i>	Garamond	LetterGot75
EF Clarendon CdBd	Garamond Krsv	LetterGot75 It
EF Clarendon ExBd	Garamond Hf	LetterGot75 Bd
Lyra Md	Garamond KrsvHf	LetterGot75 Bdt
Lyra Mdt	Mauritius	Aries
Lyra Bd	Leos Md	Aries It
Lyra Bdt	Leos Mdt	Aries Bd
Lyra LiCd	Leos Bd	Aries Bdt
Lyra LiCdt	Leos ExBd	Libra

Figure 3-2 Status report (PCL emulation)

Selecting the Font Print Menu PRINT FONT

Pressing PRINT FONT puts the printer into the print font menu which allows you to list the fonts available in the selected emulation.

To select the print font menu and print the font list, follow these steps:

1. Make sure that the message display indicates **READY with the **ONLINE** and **DATA** indicators off.**

2. Press the PRINT FONT button for five or more seconds.

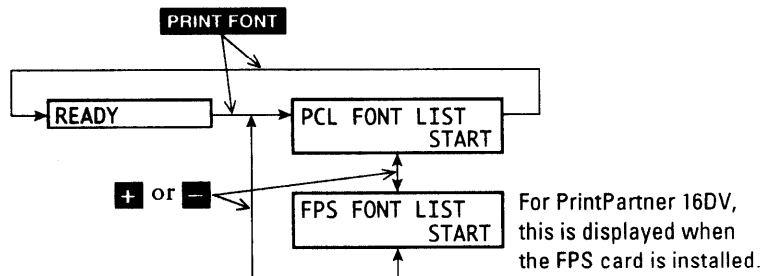
The message changes to **PCL FONT LIST START**.

3. Select a desired emulation.

Press the + or - buttons until the desired emulation appears.

4. Start printing.

Press the ENTER button. The message display indicates **PRINT FONT** and the DATA indicator flashes, then a font report page is printed.



-- FONT LIST --						
NO.	F.ID	FONT NAME	POINT	PITCH	Esc Sequence	SAMPLE
<u>RESIDENT FONTS</u>						
0000		Courier Md	scale		<Esc>(_<Esc>(\\$0p_h0s0b4099T	ABCDE#\$\$%&< ÅÇÑ;âëøÆæ
0001		Courier Mdit	scale		<Esc>(_<Esc>(\\$0p_h1s0b4099T	ABCDE#\$\$%&< ÅÇÑ;âëøÆæ
0002		Courier Bd	scale		<Esc>(_<Esc>(\\$0p_h0s3b4099T	ABCDE#\$\$%&< ÅÇÑ;âëøÆæ
0003		Courier Bdit	scale		<Esc>(_<Esc>(\\$0p_h1s3b4099T	ABCDE#\$\$%&< ÅÇÑ;âëøÆæ
0004		Morrison Rg	scale		<Esc>(_<Esc>(\\$1p_v0s0b4101T	ABCDE#\$\$%&< ÅÇÑ;âëøÆæ
0005		Morrison It	scale		<Esc>(_<Esc>(\\$1p_v1s0b4101T	ABCDE#\$\$%&< ÅÇÑ;âëøÆæ
0006		Morrison Bd	scale		<Esc>(_<Esc>(\\$1p_v0s3b4101T	ABCDE#\$\$%&< ÅÇÑ;âëøÆæ
0007		Morrison Bdit	scale		<Esc>(_<Esc>(\\$1p_v1s3b4101T	ABCDE#\$\$%&< ÅÇÑ;âëøÆæ
0008		Taurus	scale		<Esc>(_<Esc>(\\$1p_v0s0b4113T	ABCDE#\$\$%&< ÅÇÑ;âëøÆæ
0009		Taurus It	scale		<Esc>(_<Esc>(\\$1p_v1s0b4113T	ABCDE#\$\$%&< ÅÇÑ;âëøÆæ
0010		Taurus Bd	scale		<Esc>(_<Esc>(\\$1p_v0s3b4113T	ABCDE#\$\$%&< ÅÇÑ;âëøÆæ
0011		Taurus Bdit	scale		<Esc>(_<Esc>(\\$1p_v1s3b4113T	ABCDE#\$\$%&< ÅÇÑ;âëøÆæ
0012		Coronet	scale		<Esc>(_<Esc>(\\$1p_v1s0b4116T	ABCDE#\$\$%&< ÅÇÑ;âëøÆæ
0013		EFClarendon CdBd	scale		<Esc>(_<Esc>(\\$1p_v4s3b4140T	ABCDE#\$\$%&< ÅÇÑ;âëøÆæ
0014		EFClarendon ExBd	scale		<Esc>(_<Esc>(\\$1p_v2s3b4140T	ABCDE#\$\$%&< ÅÇÑ;âëøÆæ
0015		Lyra Md	scale		<Esc>(_<Esc>(\\$1p_v0s0b4148T	ABCDE#\$\$%&< ÅÇÑ;âëøÆæ
0016		Lyra Mdit	scale		<Esc>(_<Esc>(\\$1p_v1s0b4148T	ABCDE#\$\$%&< ÅÇÑ;âëøÆæ
0017		Lyra Bd	scale		<Esc>(_<Esc>(\\$1p_v0s3b4148T	ABCDE#\$\$%&< ÅÇÑ;âëøÆæ
0018		Lyra Bdit	scale		<Esc>(_<Esc>(\\$1p_v1s3b4148T	ABCDE#\$\$%&< ÅÇÑ;âëøÆæ
0019		Lyra LiCd	scale		<Esc>(_<Esc>(\\$1p_v4s3b4148T	ABCDE#\$\$%&< ÅÇÑ;âëøÆæ
0020		Lyra LiCdit	scale		<Esc>(_<Esc>(\\$1p_v5s3b4148T	ABCDE#\$\$%&< ÅÇÑ;âëøÆæ
0021		Lyra CdMd	scale		<Esc>(_<Esc>(\\$1p_v4s0b4148T	ABCDE#\$\$%&< ÅÇÑ;âëøÆæ
0022		Lyra CdMdit	scale		<Esc>(_<Esc>(\\$1p_v5s0b4148T	ABCDE#\$\$%&< ÅÇÑ;âëøÆæ
0023		Lyra CdBd	scale		<Esc>(_<Esc>(\\$1p_v4s3b4148T	ABCDE#\$\$%&< ÅÇÑ;âëøÆæ
0024		Lyra CdBdit	scale		<Esc>(_<Esc>(\\$1p_v5s3b4148T	ABCDE#\$\$%&< ÅÇÑ;âëøÆæ
0025		Lyra ExtnMd	scale		<Esc>(_<Esc>(\\$1p_v2s0b4148T	ABCDE#\$\$%&< ÅÇÑ;âëøÆæ
0026		Lyra ExtnMdit	scale		<Esc>(_<Esc>(\\$1p_v2s0b4148T	ABCDE#\$\$%&< ÅÇÑ;âëøÆæ
0027		Lyra ExtnBdit	scale		<Esc>(_<Esc>(\\$1p_v2s3b4148T	ABCDE#\$\$%&< ÅÇÑ;âëøÆæ
0028		Lyra ExtnBd	scale		<Esc>(_<Esc>(\\$1p_v2s3b4148T	ABCDE#\$\$%&< ÅÇÑ;âëøÆæ
0029		AntiqueOlv	scale		<Esc>(_<Esc>(\\$1p_v0s0b4168T	ABCDE#\$\$%&< ÅÇÑ;âëøÆæ
0030		AntiqueOlv It	scale		<Esc>(_<Esc>(\\$1p_v1s0b4168T	ABCDE#\$\$%&< ÅÇÑ;âëøÆæ
0031		AntiqueOlv Bd	scale		<Esc>(_<Esc>(\\$1p_v0s3b4168T	ABCDE#\$\$%&< ÅÇÑ;âëøÆæ
0032		AntiqueOlv Cmpct	scale		<Esc>(_<Esc>(\\$1p_v2s5b4168T	ABCDE#\$\$%&< ÅÇÑ;âëøÆæ
0033		Garamond	scale		<Esc>(_<Esc>(\\$1p_v0s0b4197T	ABCDE#\$\$%&< ÅÇÑ;âëøÆæ
0034		Garamond Krsv	scale		<Esc>(_<Esc>(\\$1p_v1s0b4197T	ABCDE#\$\$%&< ÅÇÑ;âëøÆæ
0035		Garamond Hf	scale		<Esc>(_<Esc>(\\$1p_v0s3b4197T	ABCDE#\$\$%&< ÅÇÑ;âëøÆæ
0036		Garamond Krsvlf	scale		<Esc>(_<Esc>(\\$1p_v1s3b4197T	ABCDE#\$\$%&< ÅÇÑ;âëøÆæ
0037		Mauritius	scale		<Esc>(_<Esc>(\\$1p_v0s0b4297T	ABCDE#\$\$%&< ÅÇÑ;âëøÆæ
0038		Leos Md	scale		<Esc>(_<Esc>(\\$1p_v0s1b4362T	ABCDE#\$\$%&< ÅÇÑ;âëøÆæ
0039		Leos Mdit	scale		<Esc>(_<Esc>(\\$1p_v1s1b4362T	ABCDE#\$\$%&< ÅÇÑ;âëøÆæ
0040		Leos Bd	scale		<Esc>(_<Esc>(\\$1p_v0s3b4362T	ABCDE#\$\$%&< ÅÇÑ;âëøÆæ
0041		Leos ExBd	scale		<Esc>(_<Esc>(\\$1p_v0s4b4362T	ABCDE#\$\$%&< ÅÇÑ;âëøÆæ
0042		Nimb Sans	scale		<Esc>(_<Esc>(\\$1p_v0s0b16602T	ABCDE#\$\$%&< ÅÇÑ;âëøÆæ
0043		Nimb Sans It	scale		<Esc>(_<Esc>(\\$1p_v1s0b16602T	ABCDE#\$\$%&< ÅÇÑ;âëøÆæ
0044		Nimb Sans Bd	scale		<Esc>(_<Esc>(\\$1p_v0s3b16602T	ABCDE#\$\$%&< ÅÇÑ;âëøÆæ
0045		Nimb Sans Bdit	scale		<Esc>(_<Esc>(\\$1p_v1s3b16602T	ABCDE#\$\$%&< ÅÇÑ;âëøÆæ
0046		Nimb Sans Cd	scale		<Esc>(_<Esc>(\\$1p_v4s0b16602T	ABCDE#\$\$%&< ÅÇÑ;âëøÆæ

PRINTING AND
PAPER HANDLING

Figure 3-3 Font report-first page (PCL emulation)

Selecting Paper Tray, MFF, or Manual Paper Feed ()

Pressing puts the printer in tray select mode which allows you to select paper sources to be used. The paper sources are tray 1, tray 2 (if installed), MFF (if installed), and manual feed slot. When a paper source runs out of paper, the printer switches it for another one. When the manual feed slot is selected, other paper sources are made invalid.

To select a paper source, follow these steps:

1. **Make sure that the message display indicates **READY** with the **ONLINE** and **DATA** indicators off.**
2. **Press the button briefly.**

The message changes to **TRAY TRAY1***. The asterisk means that tray 1 is selected.

3. **Select or deselect a paper source.**

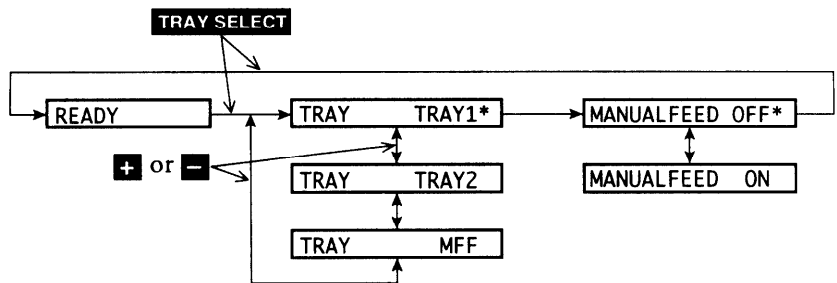
This step is valid when tray 2 (option) or MFF (standard) is installed. Pressing the button in this condition makes the asterisk disappear. Tray 1 is deselected. Pressing the button again makes the asterisk reappear. Tray 1 is selected.

4. **Select or deselect other paper sources.**

Press the + or - buttons briefly to display another paper source. Use the button in the same way as described above.

5. **Save the selections.**

Press button to save the new settings and return to the ready state.



Setting MFF Paper Size MFF PAPER SIZE

Pressing MFF PAPER SIZE puts the printer in MFF paper size mode which allows you to inform the controller of the physical paper size used in the MFF. You must select the size of paper currently loaded in the MFF. This menu is available when the MFF is installed.

PRINTING AND
PAPER HANDLING

To select a paper size, follow these steps:

1. **Make sure that the message display indicates READY with the ONLINE and DATA indicators off.**
2. **Press the MFF PAPER SIZE button for five or more seconds.**

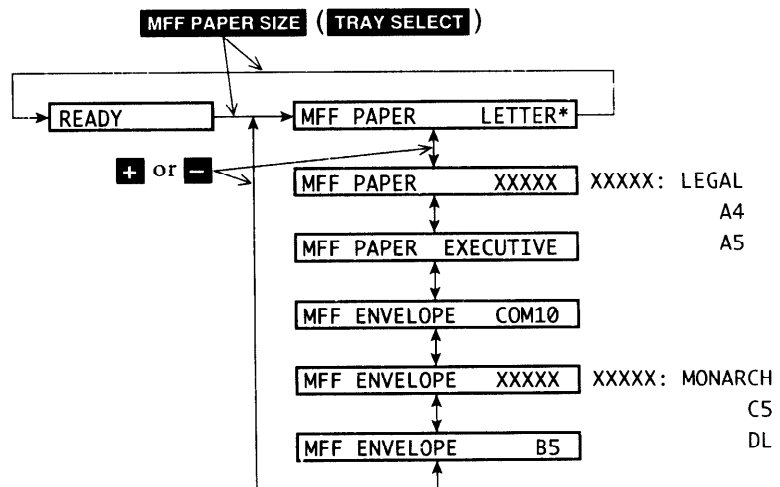
The message changes to **MFF PAPER A4***. The asterisk means that A4 size is selected for the MFF.

3. **Select a desired paper size.**

Press the + or - buttons until the desired paper size appears. Press the ENTER button. The asterisk appears and the paper size is selected.

4. Save the selection.

Press the READY button to save the new setting and return to the ready state.



Selecting Menu Option (**MENU**) and Resetting Menu (**RESET MENU**)

Pressing **MENU** briefly puts the printer in menu mode which allows you to set up the printer, for example, selecting a paper size, changing a font, and adjusting serial interface parameters. You can select options from the menu by using the four buttons, **MENU**, **+**, **-**, and **ENTER**.

Pressing **RESET MENU** for five or more seconds in menu mode resets all parameters to the factory default values except interface settings (parallel menu, serial menu, and network menu).

The following section briefly explains the menu mode and its operation.

Menu Functions

The menu mode allows you to change your printer's defaults using the four buttons on the control panel. You can use the control panel's menu mode to configure your printer to suit the requirements of your computer, software, and documents.

Menu Structure and How to Use Control Panel Buttons

The menu mode is structured as a tree consisting of submenus, items, and options. The following example shows a small portion of the tree and illustrates how the four buttons work.

In the example:

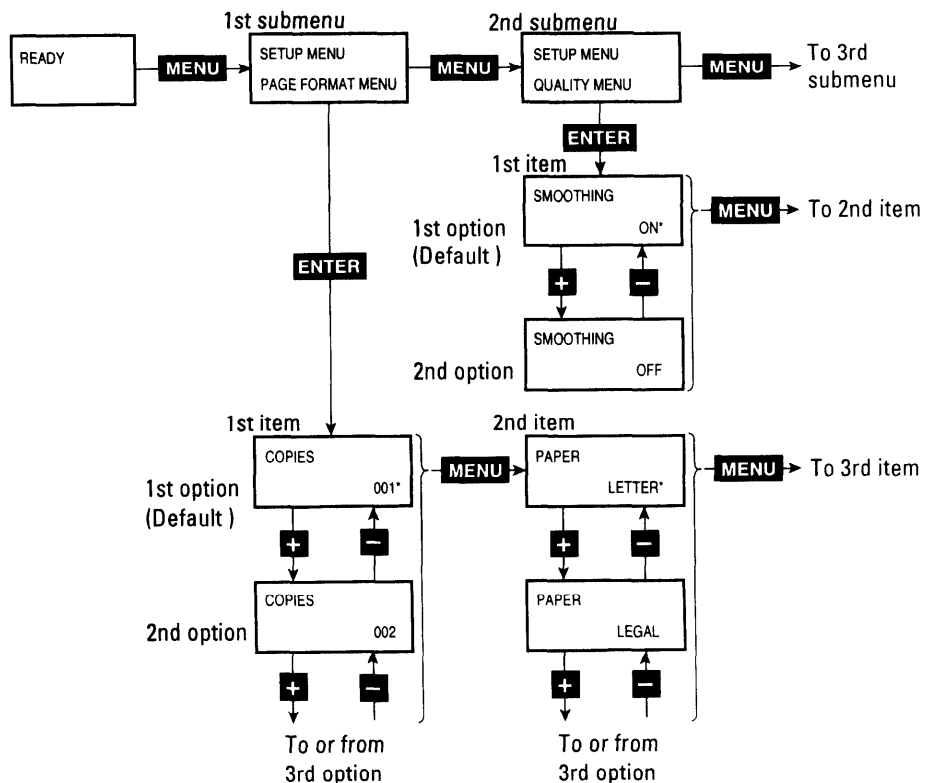
Submenus are **PAGE FORMAT MENU** and **QUALITY MENU**. Items are **COPIES, PAPER,** and **SMOOTHING**. Options are 001,002, **LETTER, LEGAL, ON,** and **OFF**.

MENU selects menu mode when the printer is ready and offline. Once the printer is in menu mode, **MENU** selects the first submenu and moves you right to the next submenu. If you are on the last submenu, pressing **MENU** returns you to the first submenu.

When a submenu is selected, **ENTER** selects the first item of the submenu. Once the first item is selected, **MENU** moves you right to the next item, regardless of an option selected. If you are on the last item, pressing **MENU** returns you to the first item.

Use + and - to move up and down the options list.

When an item is displayed, **ENTER** selects that option (adds an asterisk after the option indicating that the option is stored in RAM).



Submenus, Items, and Options

The following table shows all of submenus and items and summary of options displayed on the message display in menu mode. The display initially shows the factory default option followed by an asterisk (underlined in the table).

Submenu (bold)/ Item	Options
Page format menu	
Copies	001, 002, 003, . . . , 999 (pages)
Paper/Envelope	A4, A5, <u>Letter</u> , Legal, Executive (*1) COM10, Monarch, C5, DL, B5
Orientation	<u>Portrait</u> , Landscape
Form lines	005, 006, 007, . . . , 060, . . . , 128 (lines/page) (*2)
Page protect	<u>Auto</u> , On
Duplex mode	Off, On (*3)
Bind	<u>Long edge</u> , Short edge (*3)
Quality menu	
Smoothing (*4)	On , Off
Resolution	600, 300 (dpi)
Economy mode	
Thick paper	off, On
PCL font menu	
Font source	<u>Internal</u> , soft, SIMM (*5)
Font number	000, 001, 002, 003, . . . , N (depending on the font source, max. 999)
Pitch size (*6)	0.44, 0.45, 0.46, . . . , 99.99 (characters/inch)
Point size (*7)	4.00, 4.25, 4.50, 4.75, 5.00, . . . , 999.75 (point)
Symbol set	<u>Roman8</u> , ISOL1, ISOL2, ISOL5, PC8, PC8-DN, PC850, PC852, PC8TK, . . . , WingDings
PCL menu (*8)	
Top offset	-25.0, -24.9, -24.8, ..., 00.0 ,..., +24.9, +25.0 (mm)
Left offset	-25.0, -24.9, -24.8, ..., 00.0 ,..., +24.9, +25.0 (mm)
A4 print width	Normal, 80 columns/line
FPS menu (*9)	
Jam recovery	off On
Print FPS errors	On , Off
Job timeout	0, 10, 11, 12, . . . , 298, 299, 300 (0: no check)
Wait timeout	0, 10, 11, 12, . . . , 298, 299, 300 (0: no check)
Manual timeout	0, 10, 11, 12, . . . , 40, . . . , 298, 299, 300 (0: no check)
Banding mode	Auto, Off, On (*10)
Config menu	
Personality	Auto PCL, PS (*9)
Auto continue	Off ,On
I/O timeout (*11)	5, 6, 7, . . . , 15, . . . , 298, 299, 300 (seconds)
I/O buffers	<u>Auto</u> , 32K, 64K, 128K, 256K (bytes)
Power save	<u>On after 15 min</u> , 30 min, 60 min, 120 min, Off

Submenu (bold)/Item	Options
Parallel menu	
Acknowledge (*12)	<u>Model</u> , Mode2, Mode3
Bi-direction	On, off
NPAP mode	Auto On, Off
Serial menu (*13)	
Baud rate	1200,2400,4800,9600, 19200, 38400, 57600
Pacing	<u>DTR</u> , Xon/Xoff
DTR polarity	Hi, Low
ROBUST XON	on, Off
Network menu (*14)	
NPAP mode	Auto On
Bootp	No, Yes
IP address	###. ###. ###. ### (### = 0, 1, 2,255) (*15)
IP netmask	###. ###. ###. ### (### = 0, 1, 2,255) (*15)
IP gateway	###. ###. ###. ### (### = 0, 1, 2,255) (*15)
Clear warning	Shows the printing component to be replaced.
<Clear warning>	Print unit

PRINTING AND
PAPER HANDLING

- *1 Default is Letter or A4. For example, Letter for U.S. customers and A4 for European customers. To print on legal-size paper, banding mode must be on or the total RAM capacity must be 12M bytes or more (optional 8MB or more).
- *2 This is for Letter and portrait. It automatically changes depending on paper size and page orientation.
- *3 Valid when a duplex unit is installed
- *4 Makes the contours of objects appear smoother than normally possible with the printers standard resolution.
- *5 Displayed when soft fonts are downloaded or a font SIMM card is installed
- *6 Displayed when the selected font is a scalable and fixed-spacing one. The default depends on a selected font.
- *7 Displayed when the selected font is a scalable and proportional-spacing one. The default depends on a selected font.
- *8 Effective when PCL jobs are being executed. These values are used as defaults of top and left offset specifications in PCL mode.
- *9 Displayed when the FPS (standard for 16ADV and option for 16DV) is selected for personality

- *10 If the total capacity of memory is 11M bytes or less and banding mode is off, the resolution is automatically set to 300 dpi and Legal size paper cannot be used. To print Legal size paper or print in 600 dpi, change “banding mode” to on. To print on Legal size paper with banding mode off, install additional memory cards of 8M bytes or more regardless of 300 or 600 dpi.
- *11 This is essential for sharing the printer among multiple computers.
- *12 This is for the parallel interface.
- *13 Displayed when a serial interface board is installed
- *14 Displayed when a network interface board is installed
- *15 Consists of four parameters. The one followed by < can be changed.

Menu Items

The following briefly explains each item of the menu mode.

Page format menu

Copies	The number of copies the printer prints from each page
Paper/Envelope	A paper size or envelope size to be used by the printer
Orientation	A printing direction
Form lines	The number of lines printed per page
Page protect	Whether a block of printer memory is reserved exclusively for text and graphics data, especially for printing dense text or complex graphics, to prevent memory overflow errors. However, it reduces the amount of printer memory available for downloadable fonts.
Duplex mode	Two-sided printing mode
Binding	Where an extra area for fastening pages is located, short or long edge of a page

Quality menu

Smoothing	Whether the edge smoothness technology is applied (improves resolution to 1200 dpi class)
Resolution	The number of dots printed per inch
Economy mode	Toner saving mode
Thick paper	Mode for printing thick paper. Be sure to turn this off whenever you are using paper of ordinary thickness.

PCL font menu

Font source	Where the printer finds the font
Font number	The internal number of a font to be selected
Pitch size	Character width (characters per inch)
Point size	Character height (multiple of 1/72 inch)
Symbol set	A set of characters used in a font, consisting of the standard letters, numbers, and punctuation. It differs in the accented characters, line drawing characters, and special symbols by languages.

PCL menu

Top offset	Distance by which the page is virtually shifted from the top edge of physical paper in PCL emulation
Left offset	Distance by which the page is virtually shifted from the left edge of physical paper in PCL emulation
A4 print width	Setting the width of the printable area for A4 paper size
Normal	PCL6 compatible
80 columns/line	Expands the width of the printable area so that 80 characters of a IO-pitch font can be printed within a line. This setting is available only for A4 paper size in portrait orientation.

FPS menu

Jam recovery	Whether the jammed page is reprinted
Print FPS errors	Whether an error report is printed out
Job timeout	Time interval to be allotted between jobs
Wait timeout	Time interval to be allotted for waiting a job end
Manual timeout	Time interval to be allotted for manual insertion
Banding mode	Switching printing control (band/full page)
Auto	Auto mode (standard setting). Automatically switches the following two models depending on the total RAM capacity. ┆ 11MB or less (standard 4MB + optional 7MB or less): virtual memory model (equivalent to banding mode on) ┆ 12MB or more (standard 4MB + optional 8MB or more): speed model (equivalent to banding mode off)
Off	Speed model. Attaches importance to speedup of printing control, thus processing all pages per job. Print density depends on the RAM capacity. ┆ 300 dpi when total RAM capacity is 4M to 11M bytes (standard 4MB + optional 7MB or less) ┆ 600 dpi when total RAM capacity is 12M bytes or more (standard 4MB + optional 8MB or more). Note: ┆ To print at 600 dpi when total RAM capacity is 4M to 11M bytes (standard 4MB + optional 7MB or less), set banding mode on. ┆ To print on legal-size paper, expand the total RAM capacity to 12M bytes or more (optional 8MB or more) even in printing at 300 dpi or set banding mode on.
On	(Virtual) memory model. Attaches importance to reliable printing rather than speedup, thus processing data per page.

Config menu

Personality	Selecting an emulation (personality) without a PJI command which clearly specifies the emulation
Auto continue	Automatic control of continuing recoverable errors
I/O timeout	Time interval allowed for switching the interface
I/O buffers	Size of interface buffer
Power save	Setting the time interval during which the printer remains idle state before entering sleep mode after printing last
On after 15 min	Power save mode on. The printer enters sleep mode after remaining idle state for ## minutes after printing last.
On after 30 min	
On after 60 min	
On after 120 min	
Off	Power save mode off. (Even in this mode, the printer enters sleep mode after remaining idle state for 180 minutes.)

Parallel menu

Acknowledge	The pulse width of the ACK signal
Model	0.5 μ s
Mode2	1.0 μ s
Mode3	4.0 μ s
Bi-direction	Bi-directional Centronics interface mode
NPAP mode	Whether the NPAP commands are used. When using MarkVision™, the NPAP mode must be Auto or On.

Serial menu

Baud rate	Data transfer speed on the serial interface
Pacing	Protocol of the serial interface
DTR polarity	Level of the DTR signal in the DTR protocol
ROBUST XON	ROBUST mode in the Xon/Xoff protocol

Network menu

- | | |
|------------|--|
| NPAP mode | Whether the NPAP commands are used. When using MarkVision, the NPAP mode must be Auto or On. |
| BootP | Whether the TCP/IP protocol that enables a workstation to find its IP address is enabled or disabled for the network adapter |
| IP address | A unique address of the printer in the TCP/IP network environment |
| IP netmask | Bit mask that logically subdivides the network, specifying a local network portion of the IP address |
| IP gateway | A unique address of the equipment for the gateway to outside of the enclosed environment |

Clear warning

- | | | |
|-----------------|------------|---------------------------------|
| <Clear warning> | print unit | Clearing the print unit counter |
|-----------------|------------|---------------------------------|

Handling Paper

Discusses paper selection and paper handling:

- Types and sizes of paper you can use with this printer, including envelopes and transparencies
- Ensuring that both the software program and the printer have compatible paper size settings
- Tips on handling print media
- Adjusting the paper tray to fit a different paper size
- Feeding paper manually

PRINTING AND
PAPER HANDLING

Paper Types and Sizes

This printer can print on a variety of common office papers in addition to standard photocopier bond. Bond paper can range in basic weight from 60 to 70 g/m² (16 to 24 pound) for the paper tray and from 60 to 105 g/m² (16 to 28 pound) for the manual feed slot. Smooth paper produces the best print quality, but textured papers usually provide satisfactory results.

The following descriptions also apply to an optional paper tray.



Notice:

When you use thick paper, follow these guidelines:

- When you are using thick paper or special paper and find improper adhering of toner to the paper, turn the thick paper mode on using the control panel. This mode is invalid for envelopes, transparencies, and labels.
 - Turn the mode off when you print on regular paper. Printing regular paper with this mode on may cause a decrease in print quality or reliability of the printer.
-

This printer can print on a wide range of paper sizes, but the size is limited when using paper trays.

- When using a paper tray, the size is:

Paper size (physical)	Dimensions
A4 (European letter size)	210 x 297 mm
A5	148 x 210 mm
Letter (US letter size)	8.5 x 11 in
Legal (US legal size)	8.5 x 14 in
Executive	7.25 x 10.5 in

- When using the manual feed slot, the size is:
 Minimum: 100 mm wide x 148 mm long (3.94 x 5.81 inches)
 Maximum: 216 mm wide x 360 mm long (8.5 x 14.13 inches)
- When using the MFF (option for PrintPartner 16DV), the size is:

Paper size (physical)	Dimensions
A4	210 x 297 mm
A5	148 x 210 mm
Letter	8.5 x 11 inches
Legal	8.5 x 14 inches
Executive	7.25 x 10.5 inches
Envelope COM- 10	4 1/8 x 9.5 inches
Envelope Monarch	37/8 x 7.5 inches
Envelope C5	162 x 229 mm
Envelope DL	110 x 220 mm
Envelope B 5	176 x 250 mm



Notice:

When printing on legal-size paper in the FPS emulation, set the one of the following:

- Add RAM extension cards of 8M bytes or more (12M bytes or more in total)
- Select “banding mode on” (memory mode) in the FPS menu.

If a print job stops halfway with a certain error message printed, the same measures above often recover the error.

Although this printer can print on any sheet within the limits stated above, printing area and margin calculations are based on several paper sizes as shown in the table below. Use the control panel to change the supported paper size.

Paper size (logical)	Dimensions
A4	210 x 297 mm
A5	148 x 210 mm
Letter	8.5 x 11 inches
Legal	8.5 x 14 inches
Executive	7.25 x 10.5 inches
Envelope COM-10	4 1/8 x 9.5 inches
Envelope Monarch	3 7/8 x 7.5 inches
Envelope C5	162 x 229 mm
Envelope DL	110 X 220 mm
Envelope B 5	176 X 250 mm

When the PCL emulation is used and if the physical paper size (tray size or MFF paper size) is different from the logical paper size (value specified by setup menu of paper size), a paper mismatch error occurs.

General Tips

Observe the following tips when handling print media.

- Do not use paper that is wrinkled or curled.
- Do not use paper with staples or metal parts.
- When printing both sides of sheets, we recommend you to use an optional duplex unit. If your printer has no duplex unit, use the manual feed slot and remove curls after first printing. Use paper in 60 to 90 g/m² (16 to 24 pound) weight for the duplex unit and 60 to 105 g/m² (16 to 28 pound) weight for the manual feed slot. Paper thinner than this weight may be wrinkled thus causing decrease in print quality.
- Two-sided printing is not allowed for transparencies, envelopes, and labels even if your printer has the duplex unit.

Preprinted Sheets

In general, you can safely print on preprinted sheets such as letterhead. However, letterhead with thermographic (raised) printing, embossing, or foil stamping may not work well. The forces used to create these effects (heat and/or pressure) are also used in the printer's fuser unit. For this reason, the fuser unit may damage the preprinted image.

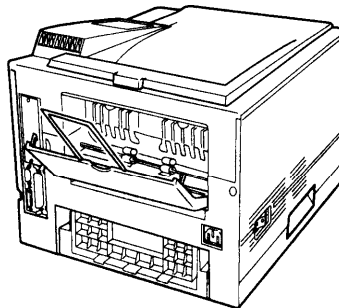
Load preprinted paper with the printed side facing down in the paper tray. When using the manual feed slot, place paper with the printed side facing up. For printing in portrait orientation, the letterhead should be at the front of the tray. For landscape orientation, it should be at the right of the tray. For more information on printing in different orientations, see the later section of this chapter.

Transparencies

This printer can print on overhead transparency material.

- We recommend you to set up the rear stacker (or that of the duplex unit when your printer has the duplex unit) so that transparencies are ejected straight out the back to minimize curl.

The capacity of the rear stacker is about 20 sheets.



- Use materials specially designed for laser printers or photocopiers.
- Always feed transparency material from the multi-function feeder (MFF; standard for 16ADV and option for 16DV). Use the manual feed slot of the printer if the MFF is removed.
- To remove curls from printed transparency materials, use correct frames or put a weight on them until they lay flat.
- Be sure to fan the transparency stack to prevent sheets from sticking together.

Envelopes

This printer prints well on envelopes if you carefully follow these guidelines:

- Use envelopes made of paper in 75 to 105 g/m² (20 to 28 pound) weight. Printing with envelopes made of paper thinner than this weight may produce wrinkles thus causing decrease in print quality.
- Be sure to set up the rear stacker (or that of the duplex unit when your printer has the duplex unit) so that envelopes are ejected straight out the back to minimize curl.

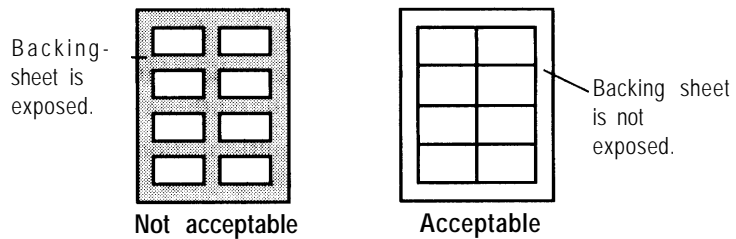
The capacity of the rear stacker is about 20 sheets.

- Use the envelope sizes shown in the preceding table.
- To avoid damage to the printer, never use envelopes with clasps, snaps, windows, or synthetic materials.
- Feed from the multi-function feeder (MFF; standard for 16ADV and option for 16DV). Use the manual feed slot of the printer if the MFF is removed.
- Feed the envelopes with the gummed side of the flaps facing downward.
- Do not use “encapsulated” adhesives, which seal by pressure alone.
- To avoid jamming, restrict the minimum paper weight to 64 g/m² (17 pound).
- To avoid creasing along the edges, use high-quality envelopes with stiff edges.
- To avoid uneven printing, do not attempt to print on the gummed overlap areas.
- Be sure to feed or load the envelopes with the envelope centered against the manual feed slot. Use the guide of the paper sizes.
- Before attempting large-scale printing on envelopes, consult with your stationery dealer. Also, test the envelopes carefully for consistent, trouble-free printing.

Labels

This printer prints well on labels if you carefully follow these guidelines:

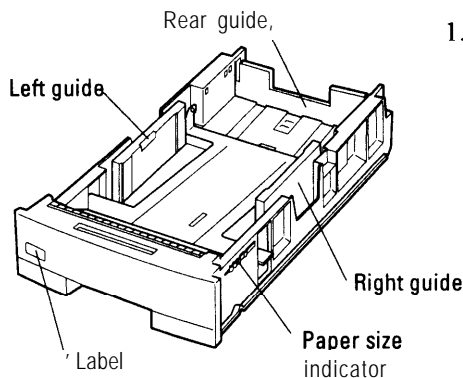
- Be careful to use labels under normal operating conditions. Labels are sensitive to temperature and humidity.
- Use the rear stacker (or that of the duplex unit when your printer has the duplex unit) so that labels are ejected straight out the back to minimize curl.
- Use only labels without backing sheets exposed in the printable area. Labels mounted separately on a backing sheet tend to slip, resulting in crooked print.



- Test-print labels before using them. If jamming problems occur and continue, try a different type of label.

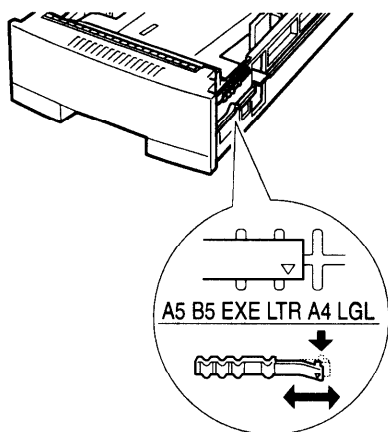
Changing the Paper Tray Size

The paper tray can be adjusted to one of the three paper sizes: A4, A5, LTR (Letter), and EXE (Executive). If the paper tray is preset for one of these paper sizes at purchase, however, you cannot adjust it to the Legal size. To change the size, follow these steps:

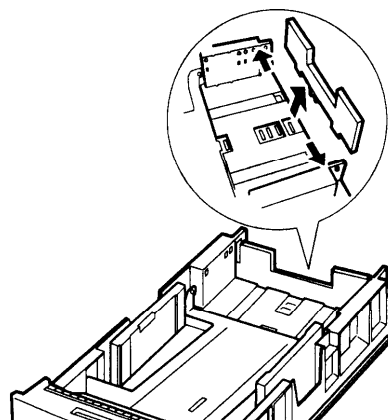


1. Remove the paper tray from the printer.

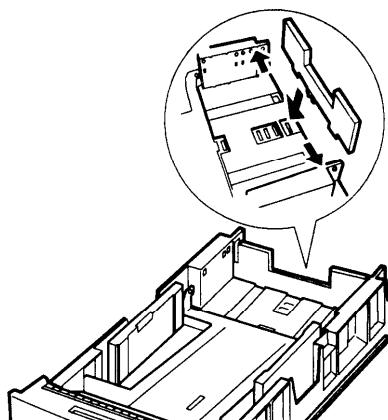
Refer to the illustration for the parts you adjust when changing the size of the tray.



2. Change the setting of the paper size indicator. Lift the right end of the indicator and slide it to the desired position, that is, adjust the triangle mark to A4, A5, LTR, or EXE engraved on the tray.

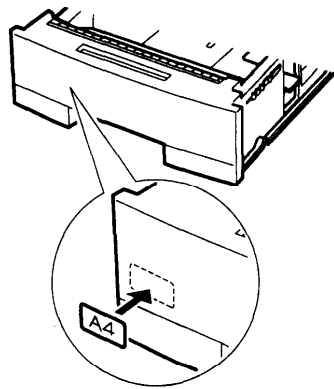


3. Remove the rear paper guide from the tray. Push the two catches inward to release the pins from the holes and remove the rear paper guide from the tray.



4. Attach the rear paper guide to the correct position. Refer to the label or engraving on the tray to locate the holes of the desired paper size.

Push the two catches inward to put the three projections into the bottom holes then the two pins into the side holes.



5. Ad here the correct paper label.

6. Load paper and check that the paper fits the tray. Adjust the both side guides to the width of paper.

7. Return the paper tray. Slide the tray back into the printer.

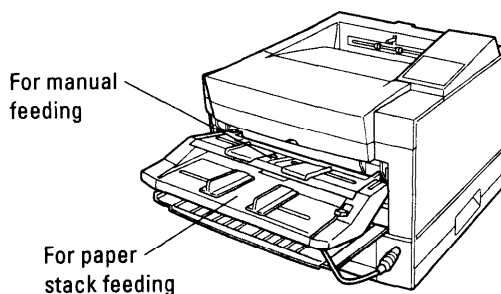


Notice:

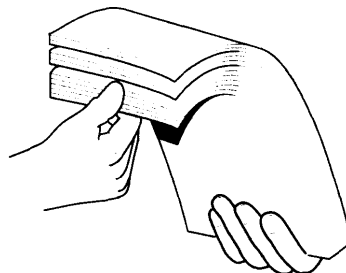
Select the correct paper size on the print menu of your application program, or a paper mismatch error will occur.

Using the Multi-function Feeder

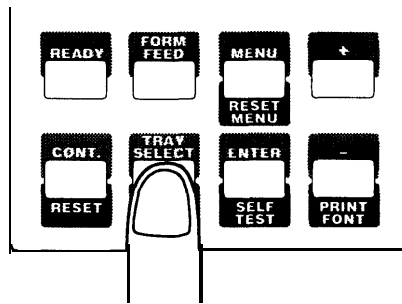
The multifunction feeder is standard for PrintPartner 16ADV but option for PrintPartner 16DV.



1. Adjust the left and right paper guides. The guides are separately provided for the manual feed path and the paper stack path.



2. Fan the paper stack. When loading paper, be sure to fan the paper stack to prevent sheets from sticking together.



3. Set the physical paper size of the MFF. Use the MFF paper size menu to select the size of paper loaded in the MFF. See the early section in this chapter.

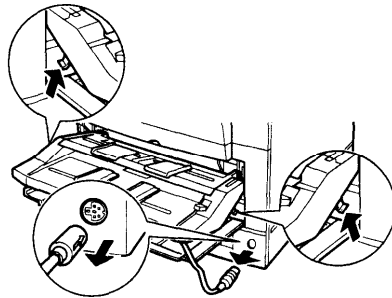
You can use the printer with the multi-function feeder removed. This causes no influence on printer operation.

To remove the multi-function feeder, follow these steps:

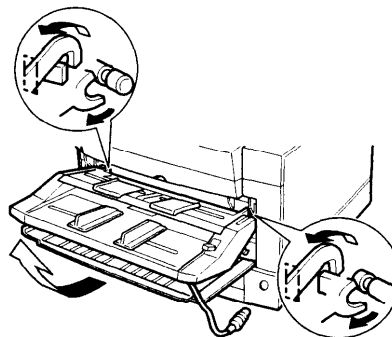


Notice:

Be sure that the printer is turned off before installing or removing the multi-function feeder.



1. Disconnect the feeder cable and push the two levers at the bottom of the feeder upwards to unlock the two hooks.



2. Then, lift the feeder slant toward you to remove it.

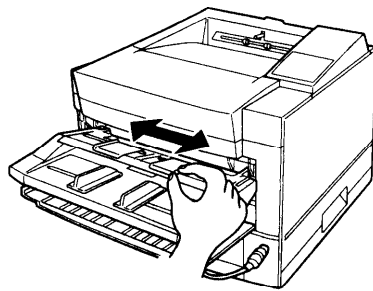
Feeding Paper Manually

This printer allows you to feed sheets manually one by one. Use the manual feed slot to print a document on a different type of paper without unloading your regular paper from the paper tray. You also use manual feed for printing envelopes, overhead transparencies, and labels.

The manual feed slot is built in the printer. It is also provided in the multi-function feeder which is standard for the PrintPartner 16ADV but optional for the PrintPartner 16DV. The procedure is the same.

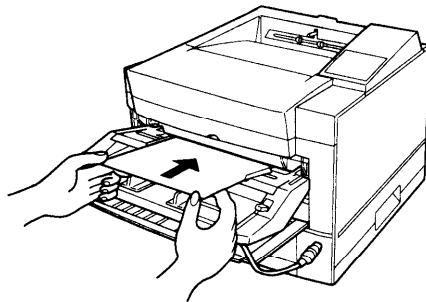
To use the manual feed slot, first select **MANUAL FEED ON** using the tray select mode of the control panel. Next, start your software program to print a file. Then follow these steps:

Using Manual Feed Slot of the Multi-Function Feeder



1. Adjust the paper guides.

Position the left and right upper guides to the width of the sheet. (Lower two guides are for paper stack.)



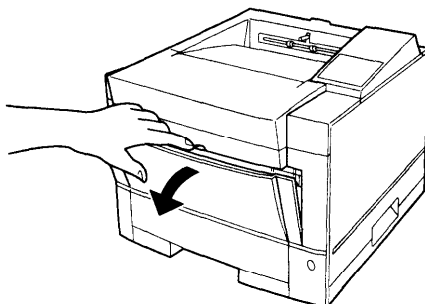
2. Place the sheet with print side face up.

When the printer is ready to print, it displays the message **INSERT SIZE** to prompt you to prepare a sheet of paper. Insert the sheet until it is stopped by the feed rollers. Insufficient insertion prevents paper from being fed or causes skewed feeding.

Release the paper once it begins to feed automatically. If your file has additional pages, the printer prompts you for another sheet.

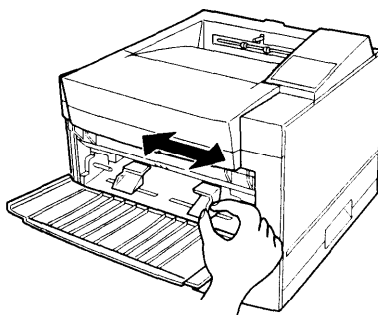
Using Manual Feed Slot Built in the Printer

Follow these steps:

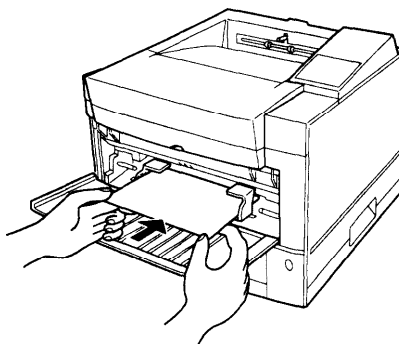


1. Open the front cover. Pull the depression at the top of the cover. (For the PrintPartner 16ADV, remove the multi-function feeder from the printer.)

PRINTING AND
PAPER HANDLING



2. Adjust the paper guides. Position the left and right guides to the width of the sheet.



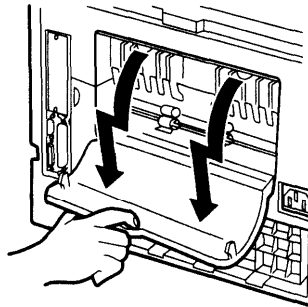
3. Place the sheet with print side face up. When the printer is ready to print, it displays the message Insert size to prompt you to prepare a sheet of paper. Insert the sheet until it is stopped by the feed rollers. Insufficient insertion prevents paper from being fed or causes skewed feeding.

Release the paper once it begins to feed automatically. If your file has additional pages, the printer prompts you for another sheet.

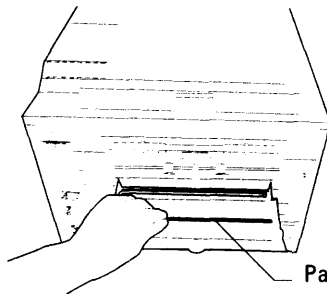
Setting Up the Rear Stacker

This printer has a rear stacker that allows you to eject sheets straight out the back to minimize curl. Use the rear stacker to print envelopes, overhead transparencies, and labels. For the rear stacker of an optional duplex unit, refer to its manual.

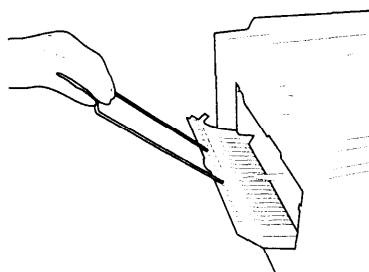
To use the rear stacker, follow these steps:



1. **Open the rear stacker.** Pull the projections at the top of the stacker.



2. **Remove the paper support from inside the stacker.**



3. **Set the paper support in position.** Insert the two ends of the paper support into the mounting grooves of the rear stacker.

Printing on Nonstandard Size Paper and on Envelopes

Most of the control over printing on nonstandard size paper must come from your software program. Programs handle page size specifications in many different ways.

This section provides tips on feeding and using non standard paper with your Fujitsu printer.

Considerations on Paper Size

The following considerations apply:

- For envelopes and other nonstandard paper sizes, use the manual feed slot.
- Using the control panel, select a paper size that is equal to or larger than the physical size of the nonstandard size paper. Otherwise, part of the printed image may be cut off

Selecting a paper size larger than the physical paper may result in data running off the edges of the paper. This can affect print quality and shorten the life of the print unit. To avoid this problem, adjust the page setup in your program so the print data falls within the limits of the physical page and center the paper in the manual feed slot.

Page Orientation

Figure 3-4 illustrates the two orientations and shows the relationship between the loaded paper and the resulting printout. This relationship is important if you want to print on letterhead. In portrait orientation, place the letterhead toward you and face down in the paper tray. In landscape orientation, place the letterhead against the right frame of the tray and face down.

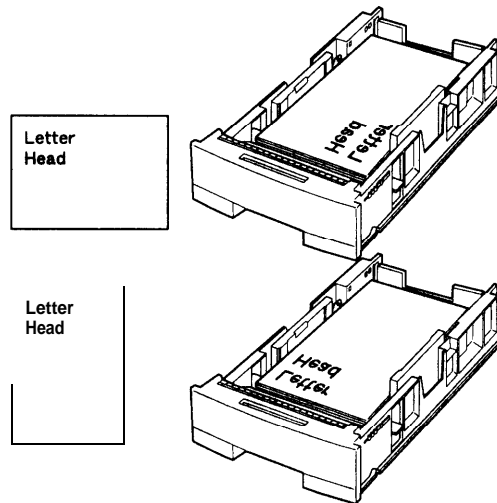


Figure 3-4 Portrait and landscape orientation

When using the manual feed slot, place the paper with its letterhead facing up. In portrait orientation, insert the paper with its letterhead away from you. In landscape orientation, insert the paper with its letterhead on the right hand side.

Some software programs allow you to print both portrait and landscape information on a single page. The function that allows you to do this is usually called something like “text rotation.” Consult your software documentation for information.

Enhancing and Customizing the Printer

This chapter explains the following ways to enhance or customize your printer:

- Add RAM up to a total of 64 megabytes except the resident RAM.
- Add an additional interface to the parallel and serial interfaces.
- Add a different size of paper tray.
- Add a paper feeder as the second paper source.
- Add a duplex unit as the two-sided printing mechanism.

For adding a multi-function feeder to the PrintPartner 16DV, see Chapter 1.

You can order these options separately. See Appendix B for ordering information. Contact your dealer for information on other new options that may be available.

The following gives you brief information and installation instructions for each option.



Notice:

Be sure that the printer is turned off before installing an option.

Do not touch any connector contacts to avoid possible electrostatic damage to the printer.

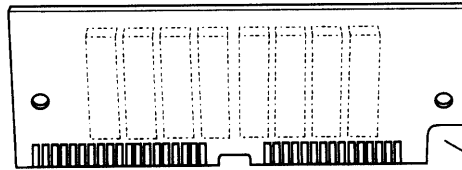
Adding RAM

You may need to expand RAM to process more data for either of the following reasons:

- You commonly download several fonts when printing a job
- You print files with complex graphics
- You print on legal-size paper in speed mode with banding mode off in FPS emulation (standard for 16ADV and option for 16DV)

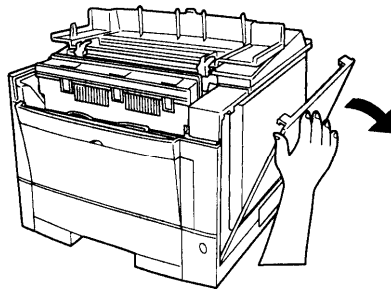
You can install two memory expansion cards. The expansion card can have 1, 2,4,8,16, or 32 megabytes of RAM. Together with the printer's resident memory of 4 megabytes, these expansion options offer a range of RAM from 4 to 68 megabytes.

(8MB card)

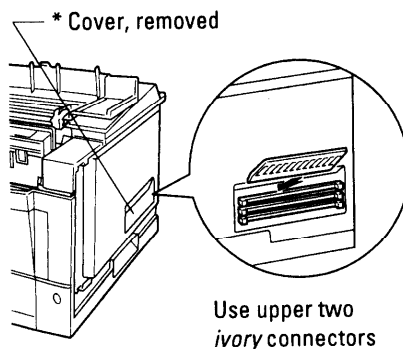


Insert with cut facing down and to the right

To install the RAM card, first make sure the printer is turned off and follow these steps:



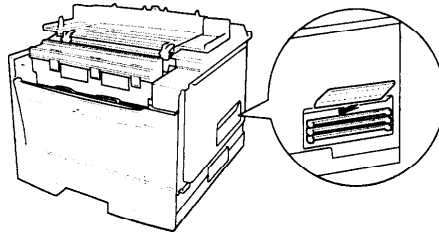
1. Open the upper door and right side cover of the printer. You will see a small cover on the metal plate. Remove the fastening screw and the cover. You can now see three connectors (upper two ivory ones for RAM cards).



2. Orient the RAM card. Hold the card with the cut corner down and facing right and insert the card aslant into connector.

**Notice:**

Do not touch any connector contacts to avoid possible electrostatic damage to the printer.

**3. Install the RAM card.**

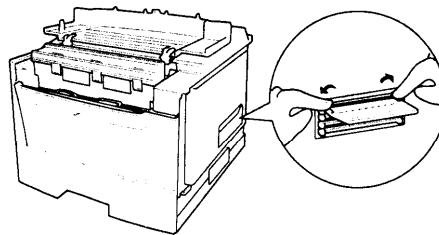
Push its top edge downwards so that holes of the card align with locating pins of the connector and the card is secured by retaining clips.

ENHANCING &
CUSTOMIZING

**Important:**

When installing two RAM cards, first install the lower one, and then the upper one.

Turn power on. If necessary, change buffer memory assignment (page protect or jam recovery) using the control panel.



To remove an unsealed RAM card push out the retaining clips. When, the card slants outwards pull the card to remove.

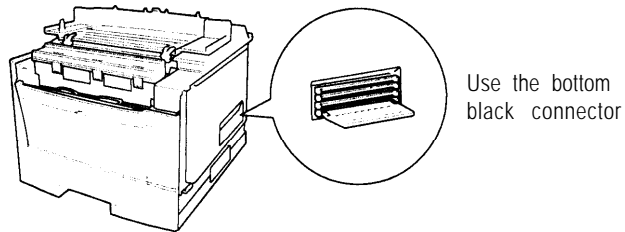
Installing an Alternate Emulation

Alternate emulations are offered with emulation cards. You can use these emulations to connect your printer to different computers. The FPS emulation (PostScript Level 2 compatible) is available. It is standard for the PrintPartner 16ADV but optional for the PrintPartner 16DV.

The installation procedure is the same as that for the RAM card except that the FPS emulation card uses the bottom connector.

To install the FPS emulation card, follow these steps:

1. If RAM cards are already installed, remove them.
2. Insert the emulation card into the bottom *black* connector.
3. Reinstall the RAM cards.



With default settings, the printer automatically selects the active emulation. To specify an emulation steadily, select the emulation using the control panel. Use the Personality item of the Config menu.

Once you change the emulation, the other menus change to reflect the options and functions of the new emulation. Procedures for working in the menus remain the same as for the PCL emulation.

Installing an Interface Expansion Board

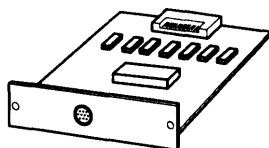
The printer's standard interfaces are parallel (Centronics \times 2) and serial (RS-232C \times 1). The currently available optional interfaces are LocalTalk and Ethernet. If the location of your printer is distant from the computer, you can use the LocalTalk port or Ethernet port of the computer to connect your printer. Fujitsu offers the optional LocalTalk board and Ethernet board C for these purposes.

ENHANCING &
CUSTOMIZING

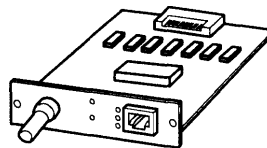


Notice:

When sharing the printer among multiple computers, setting the I/O time-out short may cause a printing problem.

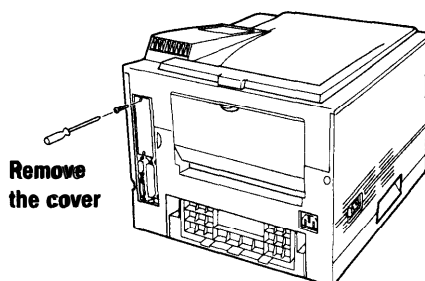


LocalTalk interface board



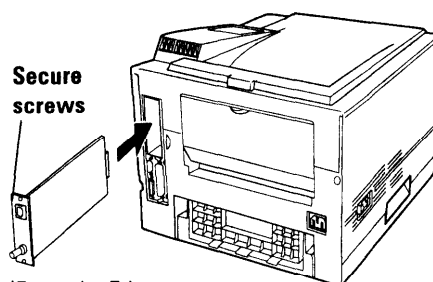
Ethernet interface board

Installing an Interface Board



Remove
the cover

1. To install an interface board, first make sure the or-inter is turned off. Remove the interface board slot cover from the back right of the printer.



Secure
screws

(Example: Ethernet
interface)

2. Hold the board with the parts mounting side left. Slide the board into the empty interface slot using the guides, and push it until it stops. Secure the board by the two screws supplied with it.

Connecting to the LocalTalk Port

To connect to the LocalTalk port, simply connect the interface cable between the printer and your computer.

Connecting the LocalTalk Interface Cable

To connect to the LocalTalk interface port, you need a cable correctly wired for this printer and your computer. The cable must also have the proper connectors. Your dealer or technical support person can supply you with the proper cable.

For example, the LocalTalk Locking Connector Kit-DIN-8 (Apple product) is available. Also refer to your computer documentation for the type of connector required by its LocalTalk port.



Notice:

Be sure that the printer is turned off before connecting the interface cable.

Do not touch any connector contacts to avoid possible electrostatic damage to the printer.

To make the connection, firmly plug the cable connector into the LocalTalk interface port on the back right of the printer. Plug the other connector into your computer's LocalTalk port. Consult your computer documentation if you need help.

Selecting the LocalTalk Interface

The printer's standard interfaces are parallel and serial. While the LocalTalk interface board is installed, the printer automatically detects that the computer is using the LocalTalk interface.

LocalTalk Specifications

The table below shows the physical specifications of the LocalTalk interface.

Specification	Description
	±
The span of a single LocalTalk network	Max. 300 meters
Number of devices on a single LocalTalk network	Max. 32 devices
Speed of data transmission	230. 4K bits/second
Protocol	8 bit packet

Connecting to the Ethernet Port

The Ethernet interface board has two connectors, 10BASE- and 10BASE-T. The 10BASE-2 connector is for a coaxial cable, bus connection. The 10BASE-2 connector is for a twisted-pair cable, star connection. Either will do.

Connecting to the Ethernet port involves the following three tasks:

- Check the type of cables your network uses.
- Select the 10BASE-2 or 10BASE-T connector of the interface board according to the connector type of your cable.
- Connect the interface cable to the printer and a network port.

Connecting the Ethernet Interface Cable

To connect to the Ethernet interface port, you need a cable correctly wired for your network. The cable must also have the proper connectors. Your dealer or technical support person can supply you with the proper cable.

For example, C66L-2810-0111 and C66L-1240-0002 (Fujitsu products) are available for 10BASE-T and 10BASE-2 ports respectively. Also refer to your network documentation for the type of connector required by its Ethernet port.



Notice:

Be sure that the printer is turned off before connecting the interface cable.

Do not touch any connector contacts to avoid possible electrostatic damage to the printer. For the same reason, do not remove the protective cover from the 10BASE-2 port which is not in use because you use the 10BASE-T port.

The procedure below applies to the 10BASE-2 port.

To make the connection, firmly plug the cable connector into the Ethernet interface port on the back right of the printer. Secure the connector by turning the connector hood. Plug the other connector into a networks Ethernet port. Consult your computer documentation if you need help.

Selecting the Ethernet Interface

The printer's standard interfaces are parallel and serial. While the Ethernet interface board is installed, the printer automatically detects that the computer is using the Ethernet interface.

Ethernet Specifications

The table below shows the physical specifications of the Ethernet interface.

Specification	Description
The span of 10BASE-2	Max. 185 meters (coaxial, bus connection)
The span of 10BASE-T	Max. 100 meters (twisted-pair, star connection)
Speed of data transmission	10M bits/second

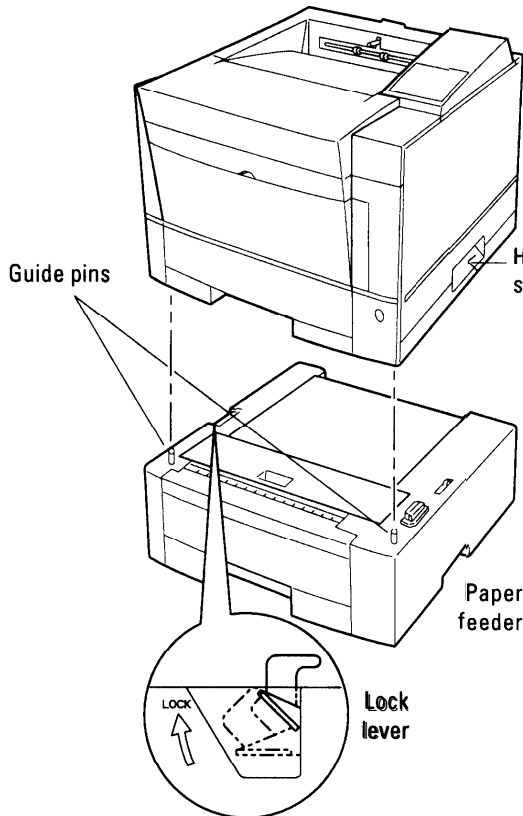
Adding Paper Sources

Paper Feeder

If you switch paper sizes frequently, you may want to add a second paper source. Or you may simply want to increase the paper capacity of your printer. You can easily do this by installing an optional paper feeder which consists of a base frame and a paper tray. The paper tray in the paper feeder is identified as tray 2 and the one in the basic configuration is identified as tray 1.

The paper types and sizes used by tray 2 are the same as those for the standard paper tray. The capacity is 500 sheets of 0.09 mm thick paper, twice that of the standard paper tray.

To install the paper feeder, follow these steps:



1. Turn off the printer and disconnect the power cord.

Make sure the lock lever is set to the open side. Push down the lever at the left side of the paper feeder.

ENHANCING &
CUSTOMIZING

2. Mount the printer on the paper feeder. Grip the bottom left and right sides of the printer to lift the printer and place it on the paper feeder. When placing the printer on the paper feeder, be sure you insert the two guide pins of the paper feeder into the two positioning holes at the bottom of the printer.

3. Set the lock lever to the lock side. Pull up the lever.



Notice:

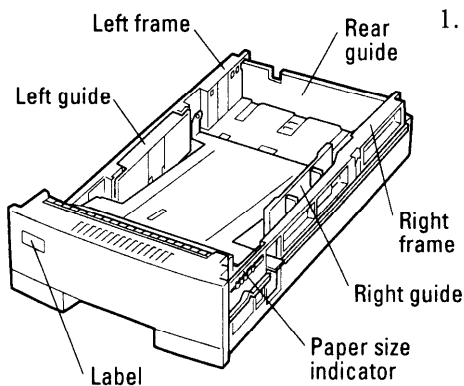
Be careful not to drop the printer on the paper feeder.

Do not touch any connector contacts to avoid possible electrostatic damage to the printer and paper feeder.

For paper loading, refer to **Loading Paper and Installing the Paper Tray** in Chapter 1. For paper sizes and types as well as tips on handling paper, refer to **Handling Paper** in Chapter 2.

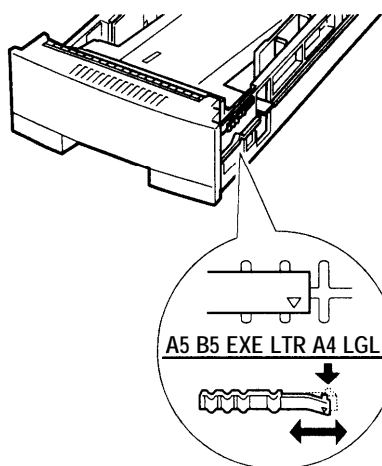
Changing the Paper Tray Size

The paper tray can be adjusted to one of the four paper sizes: A4, A5, LTR (Letter), and EXE (Executive). If the paper tray is preset for one of these paper sizes at purchase, however, you cannot adjust it to the Legal size. To change the size, follow these steps:

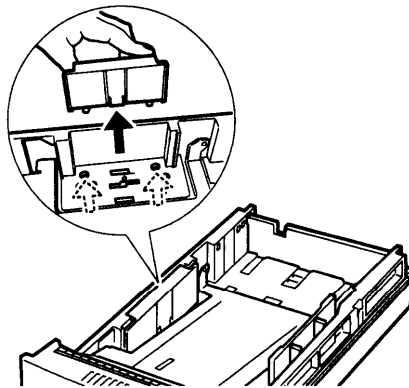


1. **Remove the paper tray from the printer.**

Refer to the illustration for the parts you adjust when changing the size of the tray.



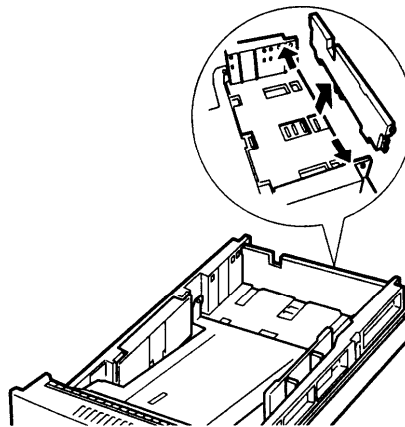
2. **Change the setting of the paper size indicator.** Lift the right end of the indicator and slide it to the desired position, that is, adjust the triangle mark to A4, A5, LTR, or EXE engraved on the tray.



3. Remove the three paper guides from the tray.

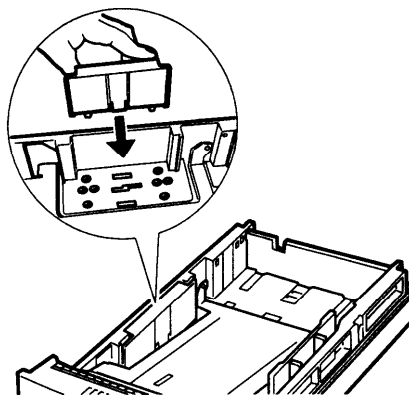
Unlock the guides as follows:

Left and right guides:
Press the two catches inward.



Rear guide:

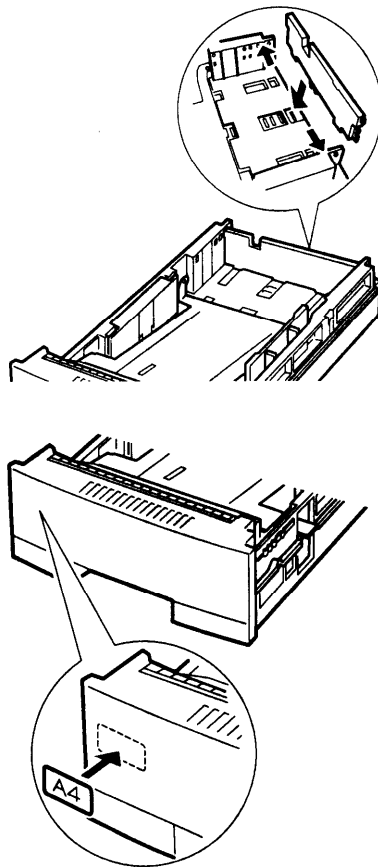
Push the end of the left or right frame outward and release the pin of the guide from the hole, then release the other pin.



4. Attach the paper guides to the correct positions.

Locate the mounting holes of the desired paper size by referring to the label or engraving on the tray.

Left and right guides:
Put the two catches into the holes.



Rear guide:
Mount the guides in reverse
order of the removal.

**5. Adhere the correct paper
size label.**

**6. Load paper and check that
the paper fits the tray.**

7. Return the paper tray.
Slide the tray back into the
printer.



Notice:

Select the correct paper size on the print menu of your application
program, or a paper mismatch error occurs.

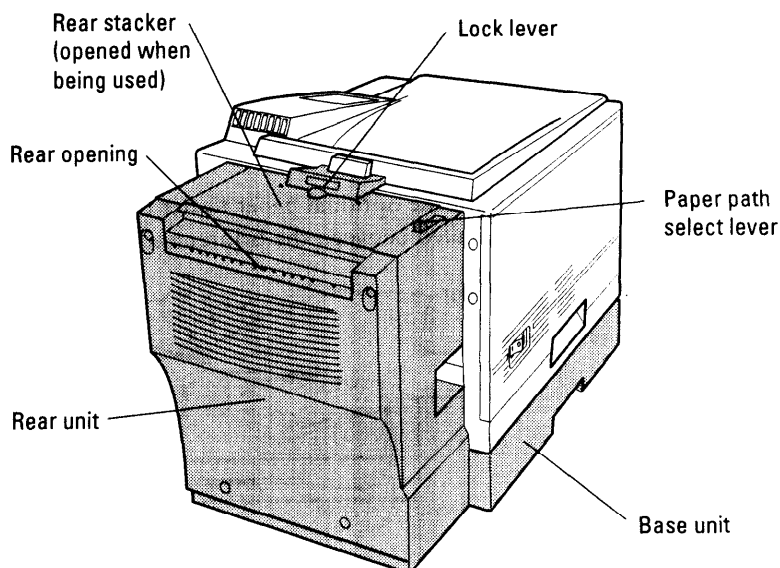
Different Paper Tray Sizes

The printer or paper feeder is shipped with a fixed size of paper tray. For example, it is the letter size for the USA and the A4 size for Europe. You can add different sizes of paper trays as shown in the following table. To install the paper tray, refer to **Loading Paper and Installing the Paper Tray in Chapter 1**.

Paper size	Dimensions
Letter (US letter size)	8.5 x 11 inches
Legal (US legal size)	8.5 x 14 inches
Executive	7.25 x 10.5 inches
A4 (European letter size)	210 x 297 mm
A5	148 x 210 mm

Adding Duplex Unit

The duplex unit allows the printer to print data both sides of a sheet of paper. It can provide an extra margin for binding as specified by software.



To print data using the duplex unit with the printer in the FPS emulation, the total capacity of printer's RAMs must be 10M bytes or more. Insufficient capacity restricts some functions.

To install and use the duplex unit, refer to its User's Manual.



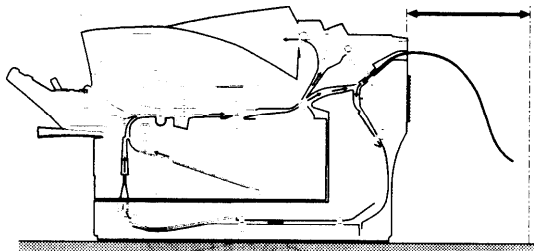
Caution:

To avoid possible personal injury or harm to your equipment, cooperate with another person in assembling or disassembling the printer, duplex unit, multi-function feeder, and paper feeder (if installed). Do not lift or move the printer as equipped with other units.

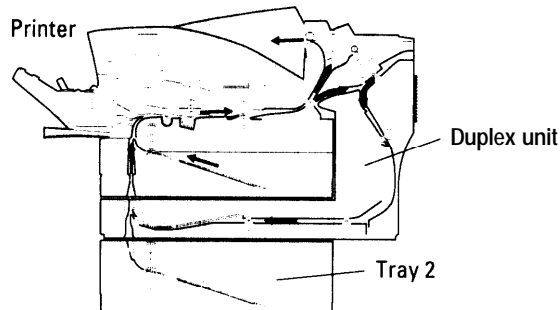


Notice:

Be sure to keep the rear opening of the duplex unit away from a wall or another equipment so as to open the rear unit for clearing paper jam or not to block the reverse operation of paper that comes out and in the opening during two-sided printing.



With the optional paper feeder (tray 2), the duplex unit must be installed between the printer and the paper tray.



Maintenance

This chapter covers preventive maintenance, periodic routine maintenance, and repacking the printer for shipment or storage.



Notice:

Before performing any maintenance, be sure that the printer is turned off.

During maintenance procedures, do not touch any connector contacts to avoid possible electrostatic damage to the printer.

When performing maintenance, do not disassemble or remove any components unless specifically directed in the procedures.

Preventive Maintenance

The following guidelines can help to ensure trouble-free operation:

- Follow the guidelines in Chapter 1 when selecting a location for your printer.
- To minimize paper jams, store paper under favorable conditions. Do not expose paper to high humidity or moisture, which can cause wavy edges. Do not store paper in direct sunlight or allow it to become very dry, which can impart an electrostatic charge. Store paper flat, not on edge.
- If you must open the printer's upper door for more than three minutes, remove the print unit with the toner bottle mounted and store it in a dark place. Exposure of the photoconductor drum to light for more than three minutes can cause damage.
- Make sure small objects such as paper clips do not drop into the printer.
- When the message display indicates **REPLACE PARTS**, print status report or display a **<CLEAR WARNING>** message in menu mode to confirm the cause of the message. For the procedures, see Chapter 2.
- Replace the toner bottle as soon as possible to prevent any dust from entering the print unit from the opening.
- Shake the toner bottle before installation.

Periodic Routine Maintenance

Table 5-1 lists the printer's periodic routine maintenance and indicates when this maintenance should be performed.

Table 5-1 Periodic Routine Maintenance

Maintenance	When to perform
Replace toner bottle and cleaner pad	When the message display indicates TONER LOW & PAD or TONER EMPTY , or when printing is too light
Replace print unit	When print quality is bad, even after replacing or cleaning other parts When the message display indicates <CLEAR WARNING> PRINT UNIT (Replace the print unit at the next replacement of the toner bottle)
Clean corona wire	When replacing the print unit or toner bottle, when printout shows vertical white lines, or when printing is too light
Clean paper path	When replacing the print unit or toner bottle, after clearing a paper jam, or when printouts show toner smudging
Clean precharger wire	When print density is uneven or when printing shows black vertical lines

Replacing the Toner Bottle and Cleaner Pad

The toner bottle is designed to last approximately 5000 printed pages under the condition of 5% coverage on A4 paper or last about one year after unpacking. The first toner bottle may print about 2500 pages under the same condition.

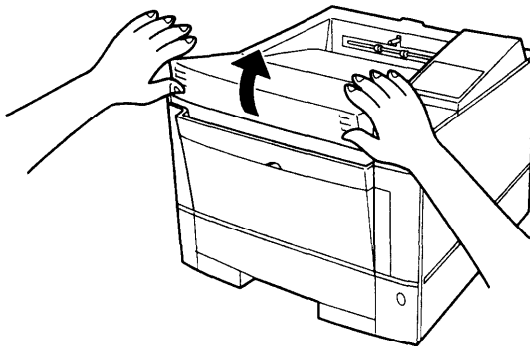
Replace the toner bottle and the cleaner pad at the same time when the message display indicates **TONER LOW & PAD** or **TONER EMPTY** or when printing becomes lighter than you find satisfactory. After the toner low condition occurs, you can only print about 20 more pages. Under the toner empty condition (no toner), the printer will not work.

**Important:**

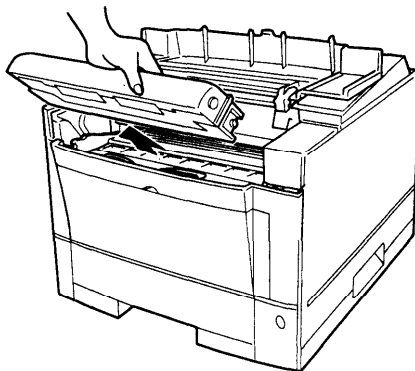
Whenever you replace the toner bottle, clean the corona wire and the precharger wire to prevent a degradation in print quality.

You can continue to print after the toner low status if the print quality is still satisfactory. However, you must at least prepare a new toner bottle.

To replace the toner bottle, follow these steps:

**1. Open the upper door.**

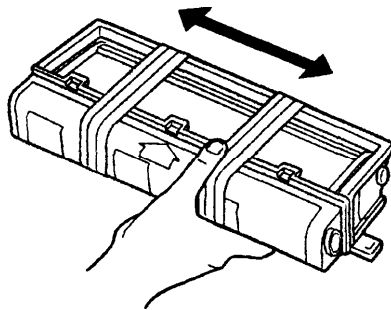
2. Tap the toner bottle. Tap the toner case to drop any remaining toner from toner bottle into print unit. This avoids the remaining toner from being spilt inside the printer during replacement.



3. Unlock and remove the old toner bottle. Pull the top of the toner bottle toward you to swing bottle from the upright position to the removable position. Gently remove the bottle. If necessary, clean toner around the toner hopper entry of the print unit.

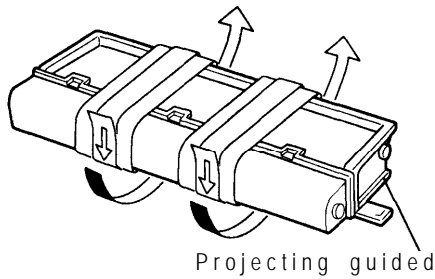
**Notice:**

Be careful not to allow dust or foreign matter into the toner hopper.

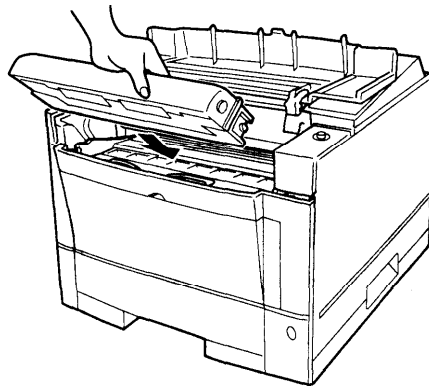


4. Remove the toner bottle from its envelope.

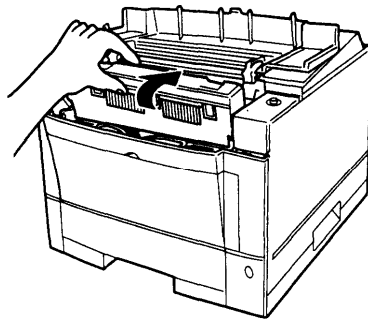
5. Fully shake the toner bottle.



6. Remove the plastic seal from the toner bottle. Pull off the seal as gently as possible to avoid spilling toner. Handle the seal carefully to prevent staining your handles or clothes.



7. **Install the toner bottle.** Slide both projecting guides of the toner bottle along the grooves of the print unit.



8. Lock the toner bottle.
Push the toner bottle backward until it clicks into place.

9. Close the upper door.

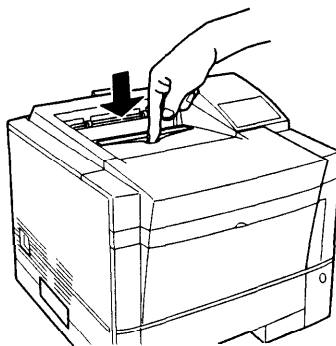
MAINTENANC



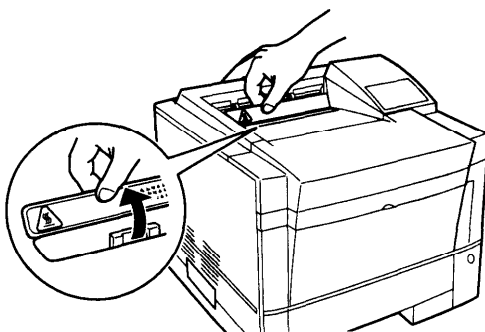
Notice:

Do not remove the toner bottle from the print unit until all the toner has been used in order to avoid scattering toner inside the printer.

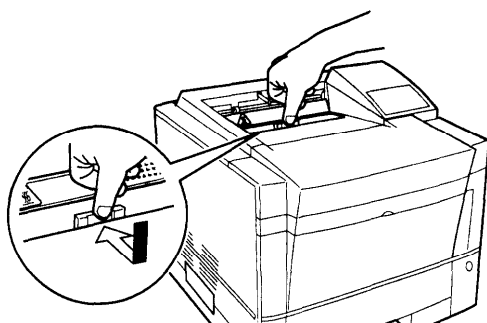
To replace the cleaner pad, follow these steps:



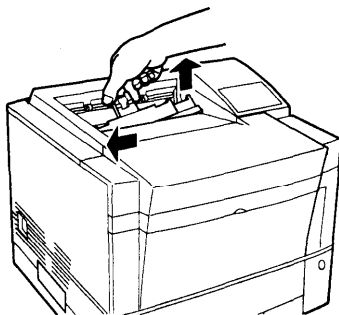
1. Open the cover. Push the engraved portion on the stacker to unlock the cover.



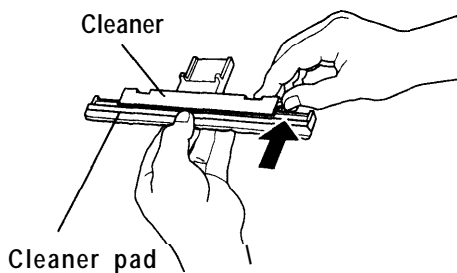
2. Lift the front of the cover
to open the cover.



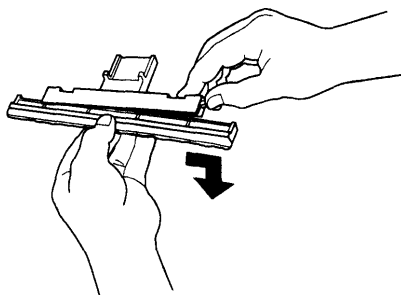
- 3. Unlock the cleaner.** Push down the handle of the cleaner and push forward it to unlock the cleaner.



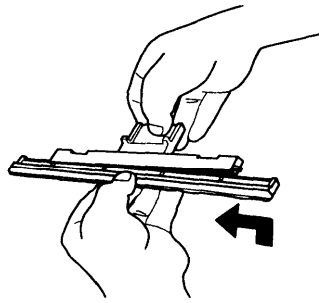
- 4. Remove the cleaner.** Slide the cleaner to the left and take its right end out of the opening, and then the left end.



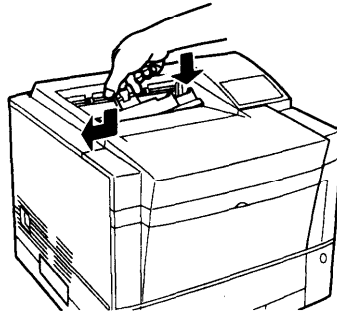
- 5. Remove the cleaner pad from the cleaner.** Push the lock lever to unlock the cleaner pad.



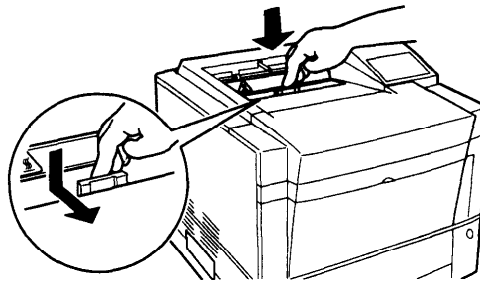
- 6. Slide the cleaner pad to the right and separate it from the cleaner.**



- 7. Mount a new cleaner pad on the cleaner.** Put the new cleaner pad on the cleaner and slide the cleaner pad into the locked position.



- 8. Install the cleaner in the printer.** Grasp the handle of the cleaner and put the left end of the cleaner into the opening, and then the right end.



- 9. Lock the cleaner.** Push down the top of the handle and pull it towards you to lock the cleaner.

- 10. Close the cover.**

Replacing the Print Unit and Internal Cleaning

The print unit life is designed to last about 40,000 pages of 5% coverage continuous printing on A4 paper or about one year after unpacking, whichever comes first. The print unit life depends on print coverage, paper type, and operating and/or storage conditions. The print unit life ends when background smudge, ghosting, or dropouts occurs. Avoid unnecessary high coverage printing to maintain the print unit performance.

For the print unit life, this printer indicates the near end of life only. The printer message display begins indicating **REPLACE PARTS** when the print unit can print 3000 to 5000 more pages left. Prepare a new print unit if you notice this indication.

Even if the print unit reaches its near-end-of-life, use the print unit until its toner runs out (the message display indicates **TONER EMPTY**) for economy. After replacing the print unit, be sure to reset the print unit counter by using the control panel. For control panel operations, see the end of this section.

Replacing the print unit involves replacing the toner bottle. It is better to perform the following set of procedures when replacing the print unit:

- Remove the old print unit together with the toner bottle.
- Clean the paper path.
- Clean the corona wire.
- Install the new print unit, then the new toner bottle.



Notice:

Do not return the toner remaining in the old print unit to the toner bottle to reuse the toner for the new print unit. It may cause a printing trouble because such toner contains harmful foreign matters like paper particles. Be sure to replace the old print unit with the toner bottle mounted.

The following sections describe these procedures in the order listed.

Removing the Print Unit

Perform this procedure in the following cases:

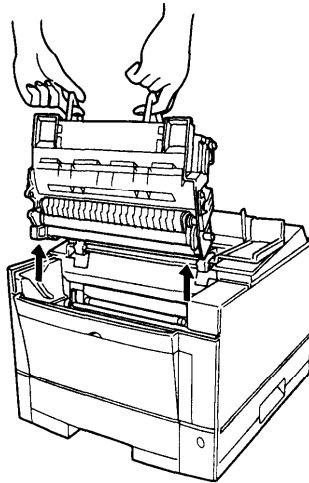
- To replace the print unit
- To store the print unit in a clean, dark place when working inside the printer for more than three minutes



Caution:

For safety, turn off the printer and disconnect the power cord before beginning.

To remove the print unit, follow these steps:

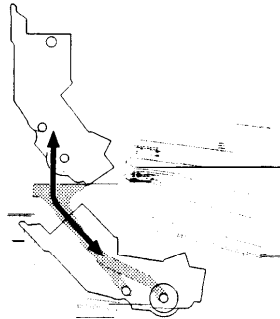


1. **Open the upper door.**
2. **Raise the green handles of the print unit.**
3. **Remove the print unit.**

Pull the green handles at a 45° angle toward the front of the printer. This will disengage the print unit, allowing easy removal.

MAINTENANCE

When the print unit begins to move, gently lift it up and out.

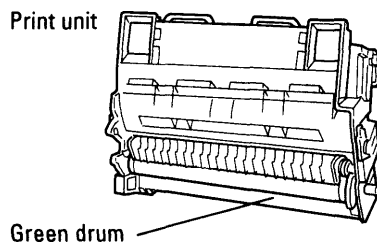


If you want to reuse the print unit, be careful not to scratch the green surface of the drum against the printer or its parts.



Notice:

If you want to re-use the print unit, do not touch or scratch the green drum surface after removing the print unit.



To avoid spilling toner, be sure to keep the print unit upright and keep the toner bottle mounted on the print unit.

Cleaning the Paper Path

Clean the paper path:

- When replacing the print unit
- After clearing a paper jam
- When printouts show toner smudging

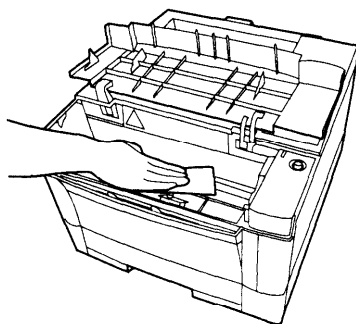


Notice:

If the print unit is still installed, complete this procedure quickly. You should avoid exposing the photoconductor drum to light for more than three minutes.

If you think you need more time, remove the print unit and store it in a clean, dark place. To remove the unit, see the preceding section

Removing the Print Unit.



Open the upper door and remove the print unit. Be careful not to damage the green drum surface. Look for spilled toner on the inside of the printer. Use a damp cloth to remove any toner stains.

Cleaning the Corona Wire

The corona wire is located in the metallic housing (chrome frame) on the base frame inside the printer.

Perform this procedure:

- When replacing the print unit
- When the printout shows vertical white lines or printing is too light

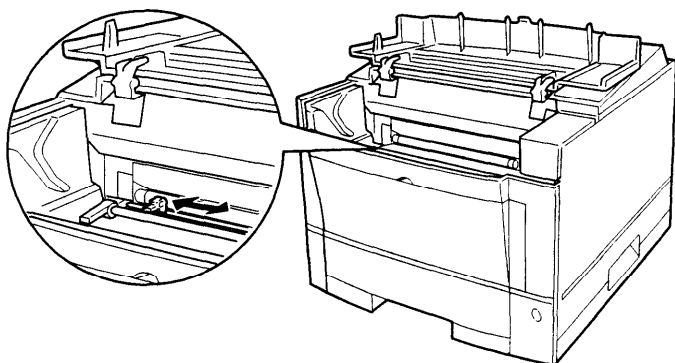


Notice:

You should avoid exposing the photoconductor drum to light for more than three minutes.

Be careful not to break the corona wire.

Use the cleaning brush supplied with the printer. This L-shaped tool has two cleaning pads: one for the corona wire and the other for the precharger wire inside the print unit. Use the pad on the shorter branch engraved "T".



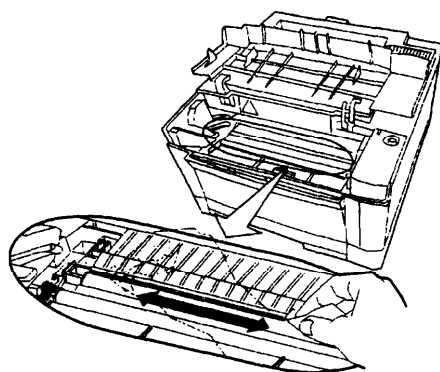
Remove the print unit and store it in a dark, level, steady place. Be careful not to damage the green drum surface. Using the tool as shown in this figure, clean the corona wire. Fit the positioning cut onto the wire housing frame and gently move the tool left and right two or three times along the length of the wire to remove any dirt or other substance. Be careful not to break or otherwise damage the wire.

MAINTENANCE

After you have cleaned the printer, install the print unit and close the upper door.

Cleaning the Paper Guide before the Corona Wire

Perform this procedure when printouts show small spots of toner smudging especially near the top edge of paper.



Open the upper door and remove the print unit. Be careful not to damage the green drum surface. Look for dust on the paper guide before the corona wire. Use a clean, lint free cloth to gently remove any dust from the entire surface of the paper guide.

Installing the New Print Unit



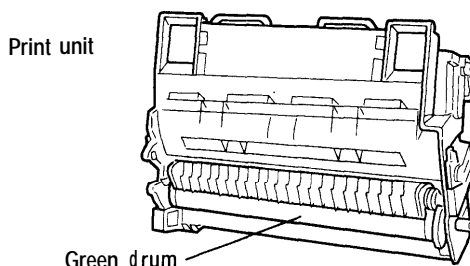
Notice:

To avoid exposing the photoconductor drum to light or contamination, follow these guidelines:

- Do not remove the print unit from its envelope until you are ready to install it.
- Complete the procedure as quickly as possible to avoid exposing the drum to light for more than three minutes.

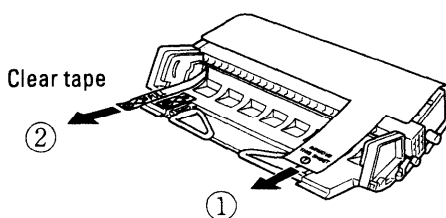
To avoid damaging the drum:

- **Be** sure to remove the plastic sheets after installing the print unit. Operating the printer without removing the sheets will make the print unit unusable.
- Never touch or scratch the green drum surface.

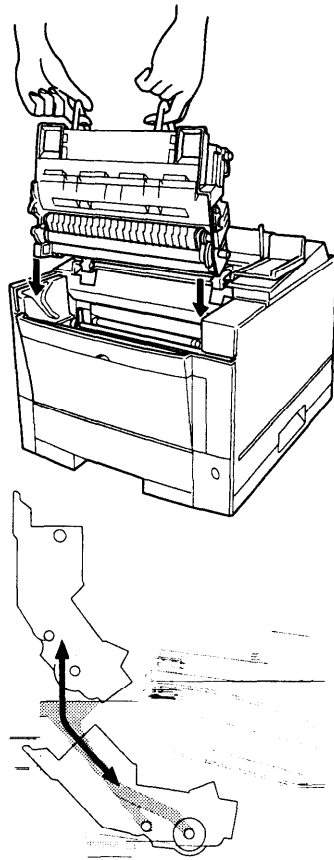


- **Be** careful not to allow dust or foreign matters into the toner hopper.
-

To install the new print unit, follow these steps:



1. **Remove the print unit from its envelope.** Place the unit on a level, steady place.
2. **Remove the protective materials from the print unit.** Remove protective sheet 1 Pull narrow clear tape 2 until its blue end is visible and remove it.

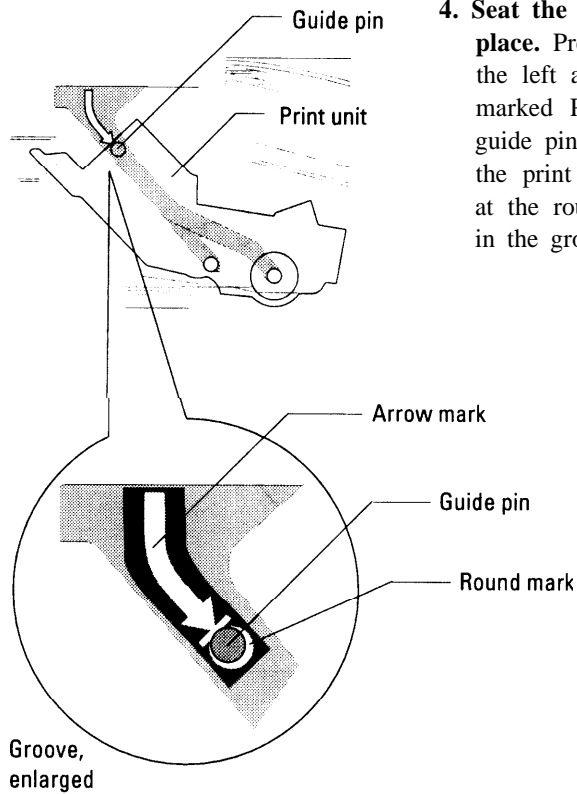


- 3. Lower the print unit into the printer.** Grasp the print unit by its green handles with the green drum surface facing you.

First, slide the print unit straight down the ends of the drum shaft along the grooves on the sides of the printer. Then, slide the print unit at a 45 degree angle toward back of the printer.

When handling the print unit, never allow its green surface to touch anything, since it can be easily scratched.

MAINTENANCE



4. Seat the print unit in place. Press down gently on the left and right portions marked PUSH until the guide pins at both sides of the print unit are positioned at the round marks (labeled in the grooves).



Notice:

If you do not proceed to the next step immediately, close the printer's top cover to protect the photoconductor drum from light.

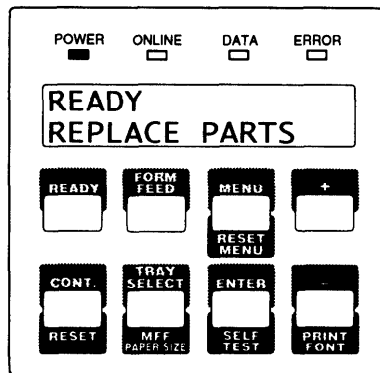
After you have installed the print unit, install a new toner bottle. See **Replacing the Toner Bottle** described previously in this chapter.

Close the printer's upper door. Press down the top cover until it clicks shut. Reconnect the power cord and turn on the printer.

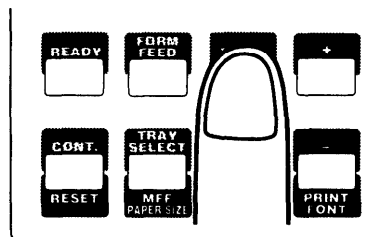
Resetting the Print Unit Counter

Perform this operation whenever you have replaced the print unit, or the printer continues displaying the warning message **REPLACE PARTS**.

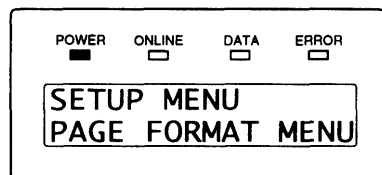
To reset the print unit counter, follow these steps:



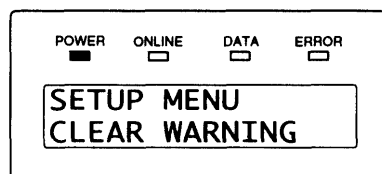
1. **Make sure the printer is offline.** If necessary, press the **READY** button to put the printer offline. The **ONLINE** indicator is off with the **REPLACE PARTS** message displayed.



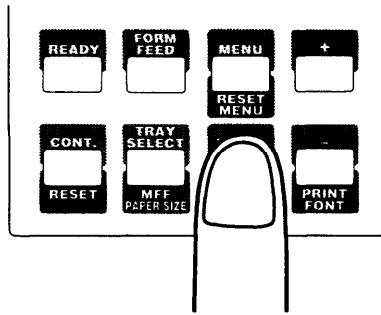
2. Press the **MENU** button to put the printer in menu mode.



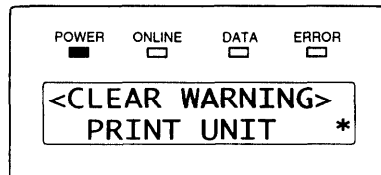
The message changes to **SETUP MENU PAGE FORMAT MENU**.



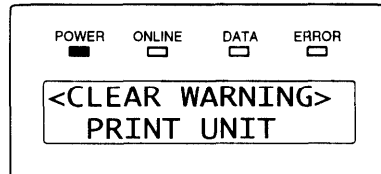
3. Press the **MENU** button repeatedly until the lower message changes to **CLEAR WARNING**.



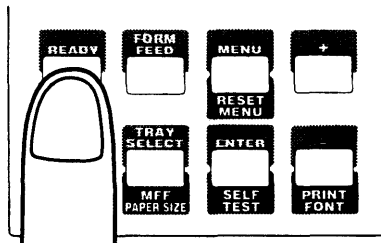
4. Press the **ENTER** button to select this function.



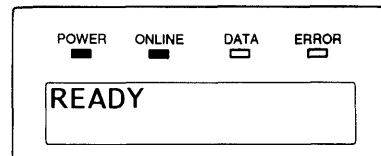
The message changes to **<CLEAR WARNING> PRINT UNIT ***. The asterisk means that the print unit is expired.



5. Press the **ENTER** button again to perform the function. The asterisk disappears from the message, indicating the counter is reset.



6. Press the **READY** button to return the printer online.



The **ONLINE** indicator lights up without the **REPLACE PARTS** message.



Important:

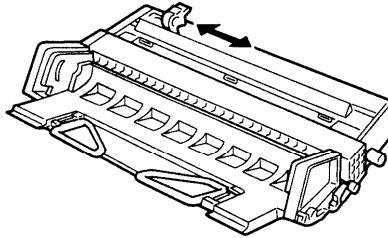
After the reset operation, check the status report to make sure that the Warning Message is cleared.

Cleaning the Precharger Wire

The precharger wire is on the print unit. Normally you should not need to clean this wire. However, the following conditions may indicate that the wire needs cleaning:

- Your printed pages have dark vertical lines, or the print density is uneven.
- Cleaning the corona wire does not solve the problem.

Use the cleaning brush supplied with the printer. This L-shaped tool has two cleaning pads: one for the precharger wire and the other for the corona wire inside the printer. Use the pad on the longer branch engraved "I?". To clean the precharger wire, follow these steps:



1. **Open the upper door of the printer.**
2. **Remove the print unit from the printer.** Place the unit on a level, steady place.
3. **Clean the wire.** To clean the wire, position the tool as shown in the figure, then gently slide it left and right two or three times along the length of the wire to remove any toner or other particles. Be careful not to break or otherwise damage the wire.



Notice:

- Avoid exposing the drum to light for more than three minutes.
- Do not touch or scratch the drum surface.

Repacking the Printer

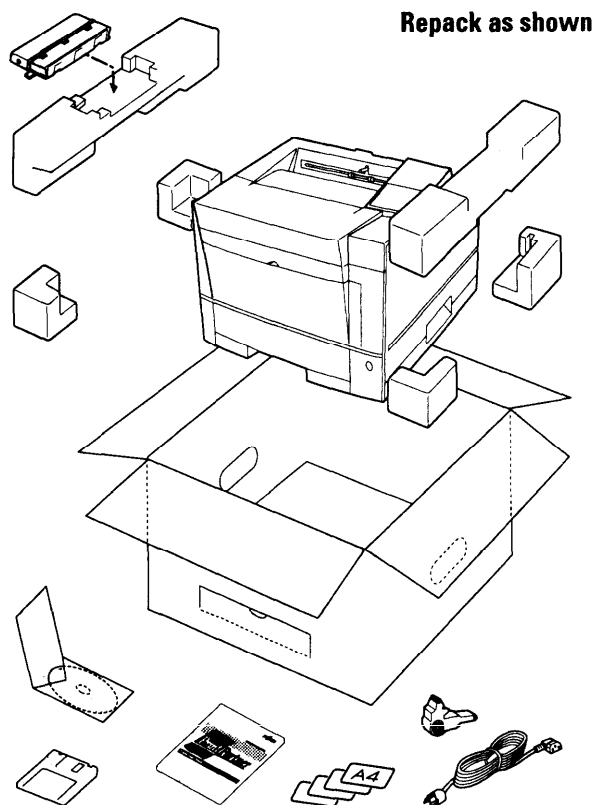
If you need to ship your printer or store it for an extended time, protect it by packing it in its original carton.

Store the print unit separately from the printer. Do not remove the toner bottle from the print unit. Cover the photoconductive drum to avoid exposing the drum to light, wrap the print unit and toner bottle with a protective material, and store it in a safe place.

To protect the printer from moisture, place it in the plastic bag it was shipped in. Seal the bag with tape.

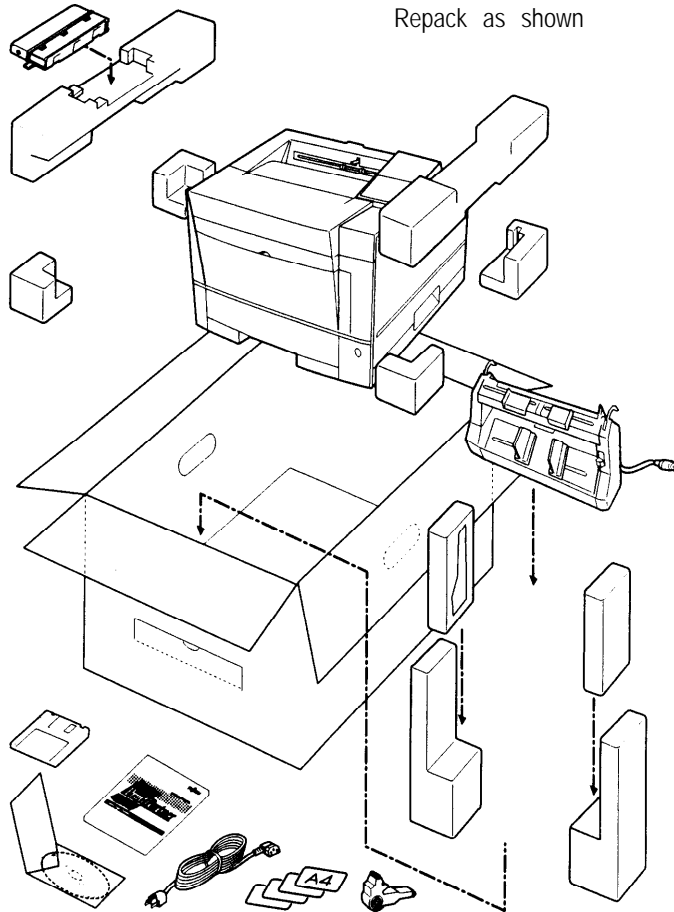
Place the printer in its carton using the original packing materials to brace and protect the printer. The illustration shows the position of the printer components within the carton.

PrintPartner 16DV



PrintPartner 16ADV

Repack as shown



MAINTENANCE

Solving Problems

Although this printer is designed to be highly reliable, you may occasionally experience problems. The most common problems are paper jamming and poor print quality. This chapter helps you to identify the cause of the problem and suggests solutions. For detailed procedures, see Chapter 4, **Maintenance**.

This chapter is divided into five sections:

- **Clearing Paper Jams.** This section explains how to locate and clear paper jams.
- **Operational Problems.** Start here if the printer doesn't function properly. You may save yourself a service call.
- **Print Quality Problems.** Check here if the printed pages don't look as they should.
- **Error Indications.** The printer has self-diagnostic tests for a variety of hardware and interface problems. If a test indicates a problem, the printer displays it on the control panel. This section explains these error conditions.
- **Printer Status Indications.** These statuses are not error conditions. Most of them require no action by you. However, explanations are included here for your information.



Notice:

During solution of a problem, do not touch any connector contacts to avoid possible electrostatic damage to the printer.

Clearing Paper Jams

The printer has sensors to detect paper jams. If a jam occurs, the printer displays it on the message display. The message is PAPER JAM n (*n*: 0 to 4 indicating the jam location). Because the paper path is short and simple, you should have no problem locating the jam.

To clear a paper jam, follow these steps:



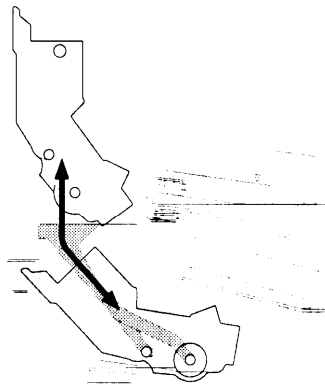
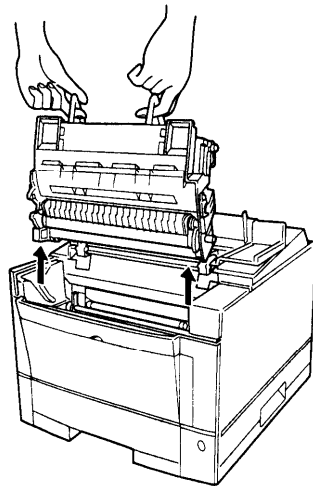
Notice:

Clear paper jams quickly to avoid problems with the fuser unit.

Do not touch or scratch the green drum surface when clearing the paper jam.

Be careful not to expose the drum to light for more than three minutes.

Take special care when removing a jam from the transfer corona unit to avoid damage to the corona wire.



1. **Check the error message PAPER JAM_n** *n* indicates the position where the sheet has jammed. Follow the instructions shown below after step 3.

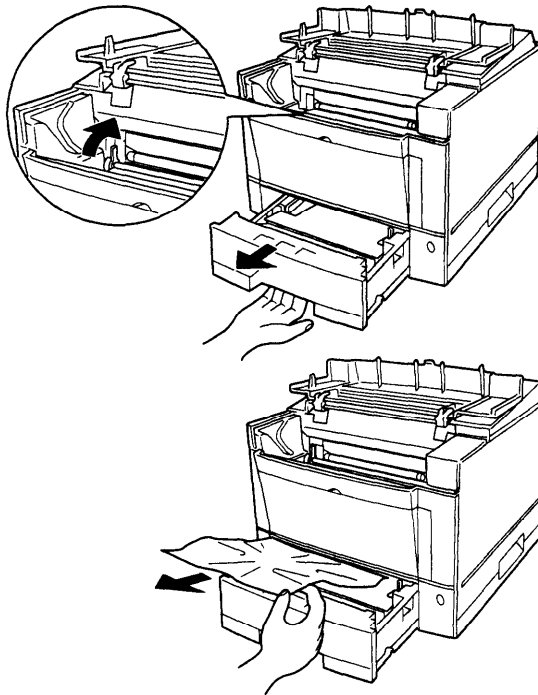
- *n* = 0 or 1, go to step 4a.
- *n* = 2, go to step 4b.
- *n* = 3, go to step 4c.
- *n* = 4, go to step 4d.

n = 4 appears when your printer is equipped with an optional duplex unit.

2. **Open the upper door.**

3. **Remove the print unit.**

For detailed procedures and advisory notes, see the section **Removing the Print Unit** in Chapter 4.



4a. Pull out the tray and raise the left and right levers of the feed roller.

SOLVING PROBLEMS

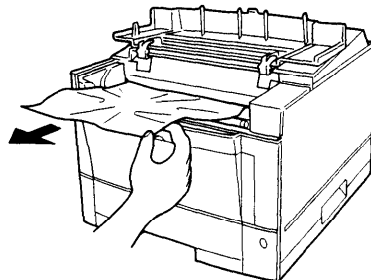
Remove the sheet. Pull the jammed sheet gently not so as to remain pieces of paper in the printer.

After removing the sheet, return the two levers to their original positions (**pull the levers down toward you**).



Notice:

Leaving the levers raised causes damage to the levers when the print unit is installed and pressed down.

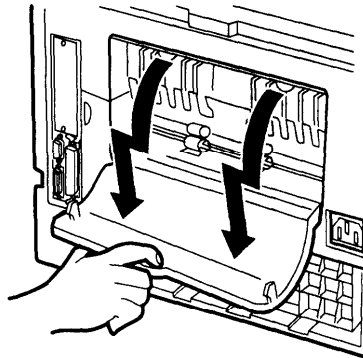


4b. **Remove the sheet.**

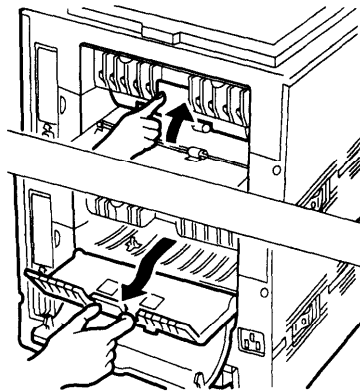


Caution:

Do not touch the heat roller. This hot area may burn your hand. See the label attached to the upper door.



4c. Open the rear stacker at the back of the printer.

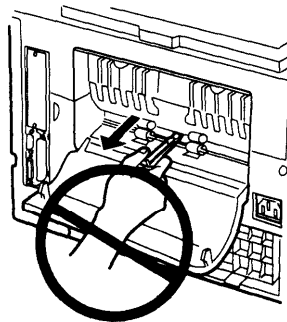


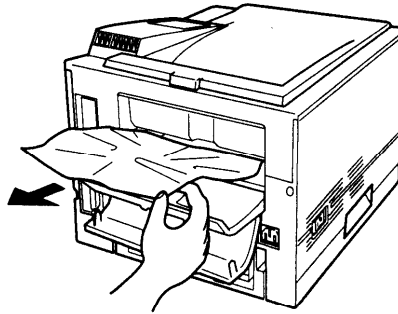
Draw out the paper guide.
First push up the top edge of the paper guide and then pull out the paper guide.



Caution:

Do not use the lever to pull out the paper guide. The lever or the paper guide may be damaged.





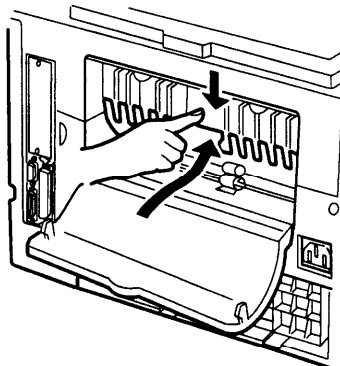
Remove the sheet. Pull the jammed sheet gently not so as to remain pieces of paper in the printer.

SOLVING
PROBLEMS



Caution:

Do not touch the heat roller. This hot area may burn your hand. See the label attached to the upper door.



Return the paper guide to the original position. Raise the top edge of the paper guide and push down it to lock the paper guide in position.

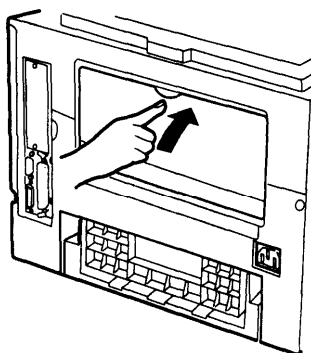


Notice:

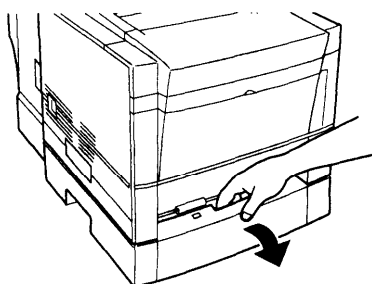
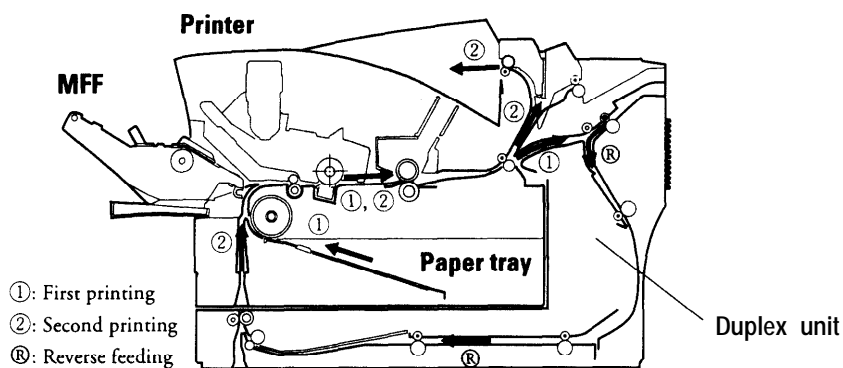
If the paper guide is not in the locked position, the printer will not work.

When your printer is equipped with an optional duplex unit, do not close the rear unit of the duplex unit with the paper guide of the printer drawn out. It may break the paper guide.

Close the rear stacker.

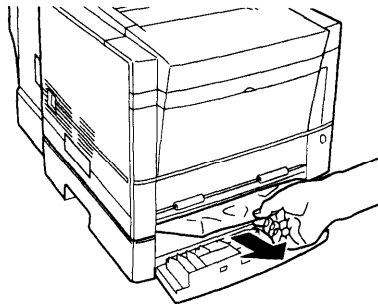


The following procedure is when your printer is equipped with an optional duplex unit. Be familiar with the paper paths in duplex printing.



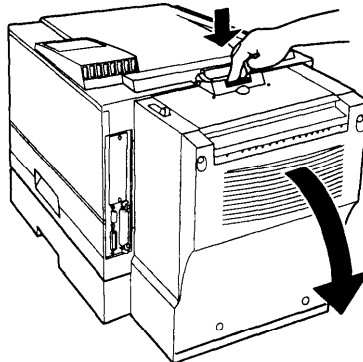
4d. Remove paper tray 1 then open the front door of the duplex unit. Pull out tray 1 and grasp center of the front door to unlock the door.

Pull the door towards you to open it.



Remove the sheet. Pull the jammed sheet gently not so as to remain pieces of paper in the printer.

After removing the sheet, close the front door..



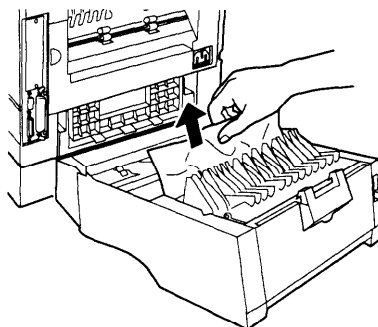
Open the rear unit of the duplex unit. Push down the lock lever of the rear unit and pull the door gently towards you.

SOLVING PROBLEMS



Notice:

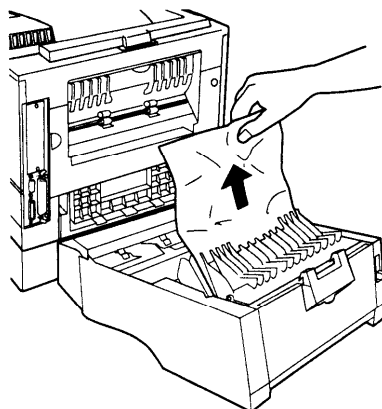
Do not open the rear unit forcibly to avoid damage to the hinge of the duplex unit.



Remove the sheet. Pull the jammed sheet gently not so as to remain pieces of paper in the printer or duplex unit.

If necessary, draw out the paper guide of the printer.

The left illustration shows the case of a jam in path ©.



The left illustration shows the case of a jam in path ①.

Close the rear unit. After removing the sheet, close the rear unit until its lock latches. Be sure to return the paper guide to the original position if it is drawn out.



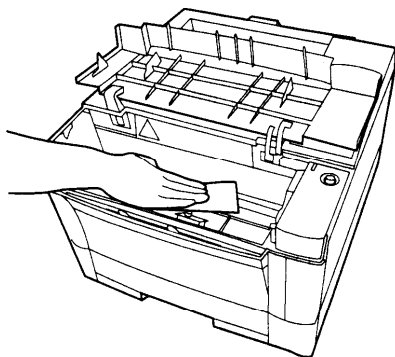
Notice:

Do not close the rear unit of the duplex unit with the paper guide of the printer drawn out. It may break the paper guide.

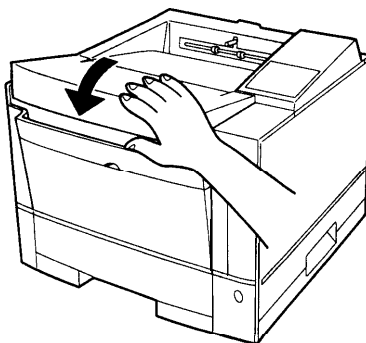
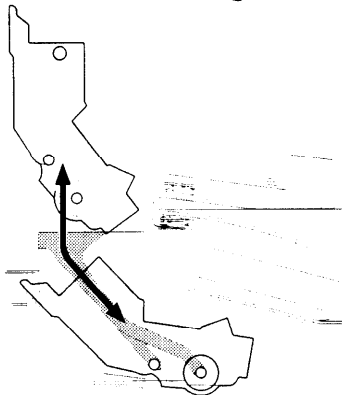
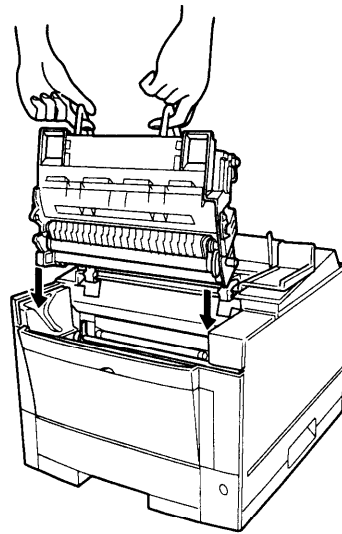


Caution:

Be careful that your fingers or hair is not caught between the printer and the duplex unit when closing the rear unit.



5. Clean the inside of the printer. Look for spilled toner inside the printer. Clean away any toner with a damp cloth.



6. Install the print unit.

Grasp the print unit by its green handles with the green drum surface facing you.

First, slide straight down the ends of the drum shaft along the grooves on the sides of the printer. Then, slide the print unit at a 45 degree angle towards the back of the printer.

Press down gently on the left and right portions marked PUSH until the print unit snaps into position.

SOLVING PROBLEMS

7. Close the upper door.

Before closing the door, make sure the print unit is seated properly. Press down the door until it clicks into place.

The table below contains advice on dealing with repeated paper feed problems.

Problem	Causes and solutions
Paper does not feed cleanly from paper tray	<p>Top edge of paper stack may be deformed (wavy or bent sheets). Try turning the paper stack around.</p> <p>Paper stack may not be aligned properly. Pull out the tray, straighten the paper stack against the paper guides, and re-insert the tray.</p> <p>Too many sheets in the paper stack. Make sure the stack is level with or below the limit mark on the left paper guide.</p> <p>The paper pressure plate may not be released. Pull out the tray and insert the tray again until it clicks up.</p>

Operational Problems

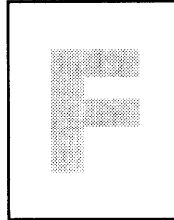
Problem	Solutions
No power when you turn on the printer	Check that the power cord is plugged in at both ends and that the power outlet has power.
Printer does not initialize	Close the upper door completely. Push down (lock) the paper guide (inside the rear stacker) in position.
Printer initializes, but does not online	Install a print unit. Insert the paper tray all the way.
Printer initializes, but the settings are wrong	Use the control panel to select the desired settings.

Print Quality Problems

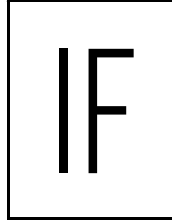
The most common cause of poor print quality is the dirty corona wire or precharger wire. A rare cause is the expired fuser unit. The figures below show the typical appearances.

Due to dirty corona wire

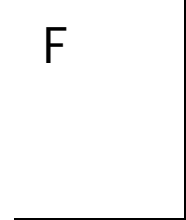
Too light



White vertical line



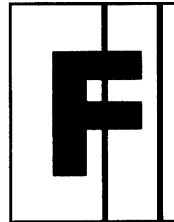
Ghost printing



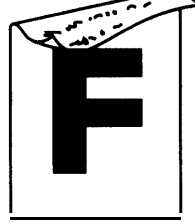
SOLVING PROBLEMS

Due to dirty precharger wire

Black vertical line

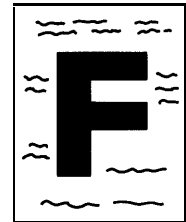


Toner stains (back)



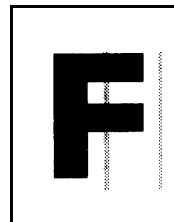
Due to both

Smudging



Due to expired fuser unit

Blurred black vertical line



Problem	Solutions
Printing is too light	Turn the print density dial clockwise. Check to see if your paper is wet. Remove the print unit and rock it to distribute the toner evenly. Clean the corona wire.
Printing is too dark	Turn the print density dial counterclockwise.
Page is black	Clean the precharger wire. Replace the print unit.
Page is blank	Clean the corona wire. Replace the print unit.
Vertical density is uneven	Clean the corona wire. Clean the precharger wire.
Vertical white lines appear	Remove the print unit and rock it to distribute the toner evenly, or replace the print unit. Clean the corona wire.
Vertical clear black lines appear	Clean the precharger wire.
Vertical blurred black lines appear	Clean the precharger wire. Contact your dealer if the fuser unit is damaged.
Ghost printing	Print several pages if this problem occurs after a paper jam. Clean the corona wire. Check to see if your paper is wet. Contact your dealer if the fuser unit is damaged.

Problem	Solutions
Pages have toner stains or smudging	<p>If this problem occurs after a paper jam, print several pages.</p> <p>Clean the paper path.</p> <p>Clean the paper guide before the corona wire.</p> <p>Clean the corona wire.</p> <p>Replace the cleaner pad.</p> <p>If the fuser unit is damaged, contact your dealer.</p>
Toner insufficiently adheres to or easily comes off paper when you are printing thick or special paper.	Turn the thick paper mode on using the control panel.
Vertical lines appear in solid black printing, stains appear in the back of a page, or paper is wrinkled or curled.	Check if the thick paper mode is on by using the control panel; if the mode is on, turn it off.

Error Indications

Errors refer to a problem or condition which requires you to take action. The printer shows errors by using the ERROR indicator and the message display of the control panel. The following table lists the error indications, explains causes, and suggests solutions.

Message	Causes and solutions
BD CYCLE ERROR	<p>Cause: Malfunction in the laser unit</p> <p>Solution: If the error recurs, consult your dealer for service.</p>
COMM ERROR	<p>Cause: Communication error</p> <p>Solution: Press the CONT. button and select the correct settings of the serial interface using the control panel setup mode.</p>

Message	Causes and solutions
COVER OPEN 1	<p>Cause: Incomplete closing of upper door</p> <p>Solution: Close the upper door.</p> <p>Note: See caution following in this table.</p>
COVER OPEN 2	<p>Cause: Incomplete locking of paper guide inside the rear stacker</p> <p>Solution: Lock the paper guide.</p> <p>Note: See caution following in this table.</p>
COVER OPEN 3	<p>Cause: Incomplete closing of rear unit of the optional duplex unit</p> <p>Solution: Close the rear unit of the duplex unit.</p>
FUSER FAILURE	<p>Cause: Malfunction in the fuser unit</p> <p>Solution: If the error recurs, consult your dealer for service.</p>
INVALID SIMM	<p>Cause: Incorrect SIMM card installed</p> <p>Solution: Press the CONT. button.</p>
JOB TIMEOUT	<p>Cause: FPS job timeout (This error occurs when the FPS emulation is active.)</p> <p>Solution: Press the CONT. button.</p>
LOAD MFF size LOAD TRAYn size	<p>Cause: Paper mismatch occurred.</p> <p>Solution: Set the specified tray to the correct paper size specified.</p>
MANUAL TIMEOUT	<p>Cause: Paper was not inserted into the manual feed slot in the prescribed time. (This error occurs when the FPS emulation is active.)</p> <p>Solution: Press the CONT. button.</p>
MEMORY OVER FLOW	<p>Cause: Memory overflow error</p> <p>Solution: Press the CONT. button.</p>
MFF NOT INSTALL	<p>Cause: No MFF installed</p> <p>Solution: Install the MFF.</p>

Message	Causes and solutions
MOTOR FAILURE <i>n</i>	Cause: Malfunction in the feed motor, etc. Solution: If the error recurs, consult your dealer for service.
NO PROCESS UNIT	Cause: No print unit is installed. Solution: Install the print unit.
OVERRUN ERROR	Cause: Incomplete in extracting compressed data Solution: Press the CONT. button.
PAPER JAM_n	Cause: Paper jam in the specified position Solution: Clear the jammed paper from the following area: 0: Pick roller, 1: Entry to paper path 2: Paper path, 3: Ejection from paper path 4: Duplex unit
PS ERROR <i>mm</i>	Cause: A PostScript error Solution: If the error recurs, consult your dealer for service.
Source PAPER OUT	Cause: Paper out in the specified paper source Solution: Supply paper.
STACKER FULL	Cause: Paper stacker full Solution: Remove paper from the paper stacker.
SYSTEM ERROR <i>n</i>	Cause: A system error on the controller board Solution: If the error recurs, consult your dealer for service.
TRAY_n MISS SET	Cause: Paper tray installed incorrectly Solution: Install the paper tray.
TONER EMPTY	Cause: Toner runs out. Solution: Replace toner bottle and heat roller cleaner.

Action-required Status Indications

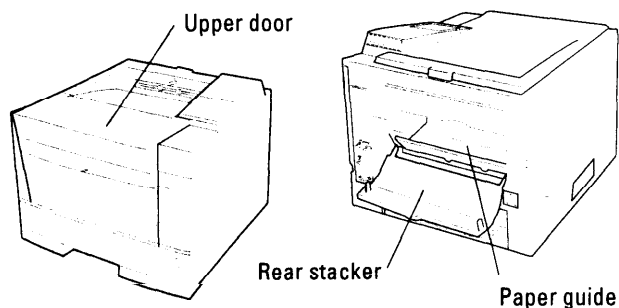
These conditions, not errors, require you to take action. The following table lists the message indications, explains causes, and suggests solutions.

Message	Causes and solutions
INSERT size	Cause: Printer is ready for paper. Solution: Put paper into manual feed slot.
READY TONER LOW & PAD	Cause: Toner runs short. Solution: Prepare new toner bottle and heat roller cleaner.
READY REPLACE PARTS	Cause: Print unit is near end. Solutions: Replace print unit. Note: Enter menu mode and select Clear Warning. After replacement, be sure to press ENTER to perform Clear Warning.



Important:

If the upper door is not firmly closed or the paper guide is not in the locked position, the printer does not work.



Printer Status Indications

Printer statuses refer to conditions which generally require no action by you. The following table lists the printer statuses and explains their meaning. It does not include messages in menu mode.

Message	Meaning
FORM FEED	The printer displays this message when you press FORM FEED with the DATA indicator off. The printer is printing data remaining in buffer.
<<<INITIALIZE>>>	The printer is initializing. This message appears whenever you turn on the printer, close the upper door, or lock the paper guide.
MENU RESET	The printer displays this message when you press RESET MENU for five or more seconds. This reset returns parameter settings in the menu to their factory defaults except for interface settings as well as clears error latches, buffered data, and temporary soft fonts.
PRINT FONT	The printer displays this message when you press PRINT FONT for five or more seconds then press ENTER . The printer is printing the font report.
READY	The printer is ready to print.
RESET	The printer displays this message when you press RESET for five or more seconds. This reset clears error latches, buffered data, and temporary soft fonts.
SELF TEST	The printer displays this message when you press SELF TEST five or more seconds then press ENTER . The printer is printing the status report.
WARMING UP	The printer is warming up to its operating temperature.

SOLVING
PROBLEMS

Warning Messages

This printer counts the number of the printed sheets to estimate the life of the consumables (print unit). The printer indicates the following warning message when and after the count reaches a predetermined value.

READY REPLACE PARTS

When the warning message is indicated, press the **READY** button to put the printer offline and press the **MENU** button to enter menu mode. The Clear Warning message appears, indicating the expired unit by an asterisk. When the print unit is expired, the message is:

**<CLEAR WARNING>
PRINT UNIT***

However, depending on the print quality, you may not have to replace print unit because you may suit be satisfied with the print quality.

Font Samples

This appendix provides samples of the fonts resident in this printer. Resident fonts are provided separately for two emulation modes:

- PCL mode
- FPS mode

PCL Mode

Bitmapped Font

Line Printer

Scalable Fonts

Courier Md
Courier MdIt
 Courier Bd
Courier BdIt

Morrison Rg
Morrison It

Morrison Bd
Morrison BdIt

Taurus
Taurus It
Taurus Bd
Taurus BdIt

Coronet

EFClarendon CdBd
EFClarendon ExBd

Lyra Md
Lyra MdIt

Lyra Bd
Lyra BdIt

Lyra LiCd
Lyra LiCdIt

Lyra CdMd
Lyra CdMdIt

Lyra CdBd
Lyra CdBdIt

Lyra ExtnMd
Lyra ExtnMdIt
Lyra ExtnBdIt
Lyra ExtnBd
 AntiqueOlv
AntiqueOlv It
AntiqueOlv Bd
AntiqueOlv Cmpct

Garamond
Garamond Krsv
 Garamond Hf
 Garamond KrsvHf

Mauritius

Leos Md
Leos MdIt

Leos Bd
Leos ExBd

Nimb Sans
Nimb Sans It
Nimb Sans Bd
Nimb Sans BdIt

Nimb Sans Cd
Nimb Sans CdIt
Nimb Sans CdBd
Nimb Sans CdBdIt

Nimb Roman
Nimb Roman It
Nimb Roman Bd
Nimb Roman BdlIt
 LetterGot75
LetterGot75 It
LetterGot75 Bd
LetterGot75 BdlIt
 Aries
Aries It
Aries Bd
Aries BdlIt
 Libra
Libra It
Libra Bd
Libra BdlIt
EFBodoni No2
 Bodoni No5
Bodoni No5 It
Bodoni No5 Bd
Bodoni No5 BdlIt
CooperBlk
CooperBlk It
 CentSchl
CentSchl It
CentSchl Bd
CentSchl BdlIt
 Clarendon Bk
Clarendon Bd
 Saturn
Saturn Bd
 Saturn Extn
Saturn ExtnBd

Dorado Li
Dorado Lilt
Dorado Bd
Dorado BdlIt
 Dorado
Dorado It
Dorado ExBd
 Dorado Cd
Dorado CdBd
 GoudyOs
GoudyOs It
GoudyOs Bd
GoudyOs BdlIt
GoudyOs ExBd
 EFGrandera
EFGrandera It
EFGrandera Bd
EFGrandera BdlIt
 Gemini
Gemini It
Gemini Bd
Gemini BdlIt
 EFRivero Bd
Cassiopeia
 SaturnMono
SaturnMono It
SaturnMono Bd
SaturnMono BdlIt
 †*■*●▼▲
 Σψμβολ
 ◆□□◆◆

FPS Mode

Courier

Courier-Bold***Courier-BoldOblique****Courier-Oblique*

Helvetica

Helvetica-Bold***Helvetica-BoldOblique****Helvetica-Oblique*

Helvetica-Narrow

Helvetica-Narrow-Bold***Helvetica-Narrow-BoldOblique****Helvetica-Narrow-Oblique*

Times-Roman

Times-Bold***Times-BoldItalic****Times-Italic*

Symbol

Palatino-Roman

Palatino-Bold***Palatino-BoldItalic****Palatino-Italic*

NewCenturySchlbk-Roman

NewCenturySchlbk-Bold***NewCenturySchlbk-BoldItalic****NewCenturySchlbk-Italic*

AvantGarde-Book

AvantGarde-Demi***AvantGarde-DemiOb****AvantGarde-BookOb*

Bookman-Light

Bookman-Demi***Bookman-DemiItalic****Bookman-LightItalic**ZapfChancery-MediumItalic*

ZapfDingbats

Supplies and Accessories

This appendix provides ordering information on supplies required for periodic maintenance as well as optional accessories.

Contact your dealer to order or obtain additional information about the supplies and accessories listed here.

Supplies

Part name (order number)	Description
Toner bottle (CA02758-C300)	The "toner bottle" contains two toner bottles.
Cleaner pad (CA04040-C720)	The "cleaner pad" contains two cleaner pads.
Toner kit (CA04040-C730)	The toner kit contains two toner bottles and two cleaner pads.
Print unit (CA04040-C671)	The print unit consists of a photoconductor drum, a developing unit, and a drum cleaner in a single module.

Accessories

Part name (order number)	Description
Memory expansion cards (*1) (CA02417-C851) (CA02417-C852) (CA02417-C854) (CA02417-C858) (CA02758-C856) (CA04040-C853)	Allows RAM expansion by one of the following: 1 megabyte 2 megabytes 4 megabytes 8 megabytes 16 megabytes 32 megabytes

Part name (order number)	Description
LocalTalk board 2 (CA04040-C826)	AppleTalk compatible
Ethernet board C (CAO4040-C832) (CAO4040-C833)	NetWare & TCP/IP corresponding For USA and UK For Europe
FPS card (CA0429 1 -C82 1)	PostScript level 2 compatible emulation for PrintPartner 16DV
Paper trays (CAO4040-C70x) (CAO2758-C73x)	Adjustable for a different size 550 sheets (for tray 1) 1: A4, 2: Letter, 3: Legal 500 sheets (for tray 2) 1: A4, 2: Letter, 3: Legal 4: Executive, 6: A5
Paper feeders (CA02758-C75x) European/Asian spec USA spec Canadian spec	Feeder unit with/without a paper tray adjustable for a different size 0: No tray, 5: A4 size tray 1: No tray, 6: Letter size tray 2: No tray, 7: Letter size tray
Duplex unit (CA04291-C750) (CA0429 1-C75 1) (CAO4291-C751)	Two-sided printing mechanism For Europe For USA For Canada

*1 We recommend the installation of additional memory cards of 8MB or more when you:

- use the FPS emulation and
- select banding mode off (speed mode) and
- print on legal size paper regardless of 300 or 600 dpi or print large image data

If you cannot get memory cards, select On for the banding mode in the FPS menu in menu mode using the control panel.

Specifications

Specification	Description
Printing technology	Semiconductor laser + electrophotography
Emulations	Standard: Hewlett-Packard LaserJet 5 (PCLG) PostScript level-2 compatible Switching: Automatic or by the control panel
Dimensions	Width: 376.5 mm (14.8 inches) Depth: 385 mm (15.2 inches) 640 mm (25.2 inches) with MFF Height: 289 mm (11.4 inches) Weight: 17 kg (37.5 pounds) 18 kg (39.7 pounds) with MFF * MFF is standard for PrintPartner 16ADV but option for PrintPartner 16DV. MFF includes paper support wire.
Power requirements	120 VAC ,50 or 60 Hz (USA) 220 to 240 VAC , 50 or 60 Hz (Europe) Consumption:Maximum 650 W (full option) Average during operating 500 W or less 30 W or less during sleep mode
Environmental requirements	Temperature: 10° to 35°C (50° to 95°F) during operating 0° to 40°C (32° to 104°F) during storage Humidity: 20% to 80% relative humidity (non-condensing) during operating and storage Maximum wet bulb 29°C (84°F)

Specification	Description												
Acoustic noise	Sound pressure level (front, bystander position) Printing: 48 dBA without duplex unit 51 dBA with duplex unit Sleep mode: Background noise level Declared noise emissions in accordance with IS09296 and IS07779												
Safety and EMC certification or compliance	<table border="0"> <tr> <td>Safety: Models</td> <td>Meets or complies with</td> </tr> <tr> <td>M33101AS01/02</td> <td>UL 1950 CSA C22.2 No. 950 21 CFR 1040.10, Class I</td> </tr> <tr> <td>M33101BS01/02</td> <td>EN 60950 EN 60825, Class 1</td> </tr> <tr> <td>EMC: Models</td> <td>Meets or complies with</td> </tr> <tr> <td>M33101AS01/02</td> <td>FCC Part 15B, Class B (Class A for Ethernet) DOC, Class B (Class A for Ethernet)</td> </tr> <tr> <td>M33101BS01/02</td> <td>EN 55022, Class B (Class A for Ethernet) EN 50082-1</td> </tr> </table>	Safety: Models	Meets or complies with	M33101AS01/02	UL 1950 CSA C22.2 No. 950 21 CFR 1040.10, Class I	M33101BS01/02	EN 60950 EN 60825, Class 1	EMC: Models	Meets or complies with	M33101AS01/02	FCC Part 15B, Class B (Class A for Ethernet) DOC, Class B (Class A for Ethernet)	M33101BS01/02	EN 55022, Class B (Class A for Ethernet) EN 50082-1
Safety: Models	Meets or complies with												
M33101AS01/02	UL 1950 CSA C22.2 No. 950 21 CFR 1040.10, Class I												
M33101BS01/02	EN 60950 EN 60825, Class 1												
EMC: Models	Meets or complies with												
M33101AS01/02	FCC Part 15B, Class B (Class A for Ethernet) DOC, Class B (Class A for Ethernet)												
M33101BS01/02	EN 55022, Class B (Class A for Ethernet) EN 50082-1												
Performance	Print resolution: 600 dots per inch Smoothing: Equivalent to 1200 dpi Printing speed: For character printing on A4 size paper from first tray 16 pages per minute Warm-up time: At 25°C (77°F) 65 seconds or less Recommended duty cycle: 5000 pages per month (up to 35,000 pages per month) Toner bottle life: 5000 pages at 5% coverage continuous printing Print unit life: 40,000 pages at 5% coverage continuous printing												

Specification	Description
Computer interface	<p>Standard: Parallel (Centronics), conforming to IEEE 1284 (Compatible, Nibble, and ECP modes) Serial (RS-232C)</p> <p>Optional: LocalTalk (AppleTalk compatible) Ethernet C (NetWare & TCP/IP corresponding)</p> <p>Switching: Automatic sensing</p>
Controller	<p>Processor: NKK R4645 (125 MHz)</p> <p>RAM: 4 MB</p> <p>SIMM: 1, 2, 4, 8, 16, or 32 MB, 2 slots provided</p>
Fonts	<p>Resident: PCL mode, 115 fonts available</p> <p>Bitmapped (1 font) Line Printer</p> <p>Scalable (114fints) Courier, Morrison, Taurus, Coronet, EF Clarendon, EF Clarendon, Lyra, Antique Olive, Garamond, Mauritius, Leos, , Nimbus Sans, Nimbus Roman, Letter Gothic, Aries, Libra, EF Bodoni, Bodoni, Cooper Black, Century Schoolbook, Clarendon, Saturn, Dorado, Goudy Os, EF Grandera, Gemini, EF Rivero, Cassiopeia, Saturn Mono, Dingbats, Symbol, Sorts</p> <p>FPS mode, 35 fonts available Courier, Helvetica, Helvetica Narrow, Times, Symbol, Palatino, New Century Schoolbook, Avant Garde, Bookman, Zapf Chancery, Zapf Dingbats</p> <p>Soft fonts: Available from independent vendors</p>

Specification	Description
Paper	<p>Type Single sheet photocopy paper (equivalent to Xerox 4024), bond paper, overhead transparencies (equivalent to 3M 731), and envelopes. See Chapter 2 for more information.</p> <p>Size Tray: A4 (210 x 297 mm) A5 (148 x 210 mm) Letter (8.5 x 11 inches) Legal (8.5 x 14 inches) Executive (7.25 x 10.5 inches)</p> <p>Manual feed slot and MFF: Minimum: 100 mm wide x 148 mm long (3.94 x 5.81 inches) Maximum: 216 mm wide x 360 mm long (8.5 x 14.13 inches)</p> <p>Weight 60 to 90 g/m² (16 to 24 pound bond) in tray 60 to 105g/m² (16 to 28 pound bond) in manual feed slot</p> <p>Input Tray 1: 550 sheets of 0.09 mm thick paper Manual feed slot: 1 sheet Tray 2: 500 sheets of 0.09 mm thick paper MFF: 100 sheets of 0.09 mm thick paper or 30 envelopes</p> <p>Output Stacker: Face down (top cover) 250 sheets of 0.09 mm thick paper (possible to decrease depending on paper types and paper curl conditions) Rear stacker: Face up 20 sheets of 0.09 mm thick paper Rear stacker: Face up (duplex unit) 20 sheets of 0.09 mm thick paper</p>

* MFF is standard for PrintPartner 16ADV but optional for PrintPartner 16DV. Tray 2 and the duplex unit are optional for both models.

Glossary

Application software

A program that performs a particular task on a computer. Examples are word processing, spreadsheet, and database programs.

Baud

The speed of data transmission measured in bits per second. Baud rates apply to data transmission through the printer's serial interface. Baud is also called baud rate.

For example, 1200 baud is approximately equal to 120 characters per second.

Bit

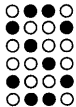
A binary digit, or bit, is the smallest unit of information in a computer's memory. A bit can have the value 0 or 1, which represents the OFF and ON state in a computer's memory. Eight bits equals one byte.

Bit map

An image representation in which each point in the image is separately defined. For monochrome images, each point is defined by a single unit of information. For color images, each point is defined by several units of information, representing the different color elements.

The characters produced by a dot matrix printer are a kind of bit map. Each character image is created by defining the points in the dot matrix as either on or off.

Example:



Bitmapped font

A font in which the character images are defined by bit maps. With bitmapped fonts, a separate set of definitions is required for each point size. For example, Times 10 point and Times 12 point are considered separate fonts. See also Scalable font.

Configuration

A combination of settings that allows your computer and printer to work together. Some of the necessary settings are in the computer or application software, while other settings are in the printer. For example, the interface setting must be set the same in both the computer and the printer.

Corona wire

A fine wire in the printer that gives a positive charge to the paper. This charge causes the toner on the drum to transfer to the paper.

Default

A setting automatically used when you or your application software do not make a selection. The settings in effect when you turn on or reset the printer are called power-on defaults. See also Factory default.

Density

The darkness of the image as it appears on the page. If the density is too dark, the small white areas inside letters and numbers will be filled in. If the density is too light, pinholes appear in black areas. Print density can be adjusted with the print density dial.

Downloadable font

A font that is transferred (downloaded) to the printer's memory when or before it is needed. Before they are transferred, downloadable fonts are stored on font cards, floppy disks, or the computer's hard disk. Downloadable fonts are also called soft fonts.

Emulation

The ability of one printer to understand the command set of another printer. Emulations may be built into a printer's memory or may be supplied on optional plug-in emulation cards or cartridges.

Ethernet

A communication hardware for a high-speed network: developed by Xerox Corporation.

Factory default

The settings that are programmed into a printer at the factory. The printer uses these settings unless they are replaced by user selected settings entered from the control panel or through application software.

Flow control

See Serial protocol.

Font

A complete set of characters and symbols in one size, typeface, and style. Size refers to the character height, and is usually measured in points (1/72 inch). Typeface refers to the character design, such as Courier, Times, or Helvetica. Style refers to the character appearance, such as Italic or Bold. Typical examples of fonts are 12-point Courier Bold, and 10-point Times Italic.

GLOSSARY

Fuser unit

One of the internal parts of a page printer. The fuser unit bonds the toner to the paper. It consists of a heat roller and a pressure roller that the paper passes under after toner has been applied.

Hex dump

A special printout used for troubleshooting. A hex dump shows all data sent by the computer to the printer, including control characters. The data in a hex dump is expressed in hexadecimal format.

Initialization

Resets the printer to its power-on defaults. Initialization clears the print buffer of any data and places the printer online. See also Reset.

Interface

The means by which information is transferred from one part of a system to another. For example, the cable between the printer and the computer is an interface.

ISO symbol set

ISO stands for “International Organization for Standardization”. An ISO symbol set contains special international characters that replace the following twelve ASCII characters #, \$, @, [, \,], ^, 9, {, |, }, and ~. ISO symbol sets are available for most European languages, Chinese, and Japanese.

LocalTalk

A protocol for an easy AppleTalk that connects devices and computers in a Macintosh system, developed by Apple Computer.

Margin

The space at the edges of a page in which no printing occurs. There are four margins: left, right, top, and bottom. In application software, margins are usually expressed in inches, centimeters, or points. In printer commands, left and right margins are specified as columns, while top and bottom margins are specified as lines.

Page printers have a minimum margin, typically of about .2 inch (5 mm), on all four sides, called the nonprint margin. No printing occurs in this margin. If the application software specifies a margin of 0, actual printing begins at the edge of the nonprint margin. See also Printable area.

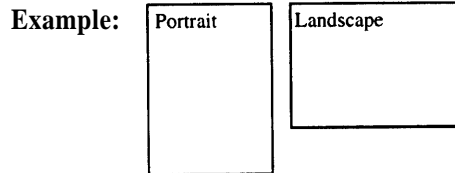
MarkVision

A printer management integrated software which monitors printer status, displays optional printer's features, spools print data, and cooperates with printer drivers. It also displays the virtual printer control panel to allow remote operation of printers.

Orientation

The direction of print on a page. Printing such that the shorter edges of the paper are at the top and bottom is called portrait orientation.

Printing such that the longer edges of the paper are at the top and bottom is called landscape orientation.



Page description language

A set of codes that describe the placement of text and graphics on a page. Page Control Language (PCL), the language used by HP LaserJet printers, and Postscript are examples of page description languages.

Page protect

A printer feature that reserves a block of printer memory exclusively for text and graphics data. Page protect prevents memory overflow errors when printing very dense text or complex graphics. However, page protect also reduces the amount of printer memory available for downloadable fonts.

GLOSSARY

Parallel interface

A connection between the computer and printer in which data is transferred simultaneously through multiple wires. A parallel interface is faster than a serial interface, but the distance over which it can send data is limited. The Centronics interface is a type of parallel interface. See **also** Serial interface.

Photoconductive drum

The part inside a page printer on which the image is created before it is transferred to the paper.

Postscript

See Page description language.

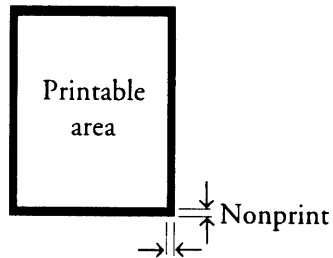
Precharger wire

A fine wire in the printer's process cartridge that imparts an electrical charge to the photoconductive drum. The charge makes the drum sensitive to light.

Printable area

The area of the physical page in which the printer is able to print. Page printers have a nonprint margin, typically about .2 inch (5 mm) wide, at each edge of the paper. The printable area is the space within these margins. See also Margin.

Example:



Printer driver

A set of instructions in application software that translates formatting choices into printer commands. When installing the application, the user identifies the type of printer being used so the application knows which printer driver to use.

Print unit

A maintenance package consisting of the photoconductive drum, developing unit, toner, and drum cleaner.

Reset

Clears the print buffer and places the printer online. Unlike initialization, reset leaves the currently selected settings in effect. That is, reset does not restore the power-on defaults. See **also** Initialization.

Resolution

The fineness of the printing. Resolution depends on the number of dots per inch. High resolution (with more dots) is finer and more precise than low resolution, which is coarser with rougher edges.

Scalable font

A font capable of printing in any point size. Scalable fonts are stored on the computer's hard disk. Each font consists of character templates that are used by the accompanying font utility software to create the characters in the desired point size.

Some font utilities create a complete set of characters in the desired size and send the complete set to the printer. Other utilities create and send only the individual characters as they are needed, which conserves printer memory.

Serial interface

A connection between the computer and printer in which data is transmitted sequentially over a single wire. A serial interface is slower than a parallel interface, but it can send data over a much greater distance. The RS-232C interface is a type of serial interface. See **ah** Parallel interface.

GLOSSARY

Serial protocol

A set of rules used by the computer and the printer to regulate the flow of data between them.

Symbol set

The set of characters used in a font. Most symbol sets contain standard letters, numbers, and punctuation. Symbol sets differ in the accented characters, line drawing characters, and special symbols they contain. ASCII, Roman-8 and PC-8 and examples of symbol sets.

Symbol sets are also called character sets, which is the term usually used with dot matrix printer fonts. See also ASCII character set; ISO symbol set.

Toner

Electrically charged carbon particles that adhere to charged areas on the photoconductive drum to produce an image pattern. The carbon pattern is transferred to the paper and melted by the fuser unit to form a permanent image on the paper.

Transfer unit

The part inside a page printer that transfers the image from the photoconductive drum to the paper.

Index

A

AC power conditions 1-4 to 1-5
Accessories, ordering information B-1
Adjusting print density 1-34
AUTOEXEC.BAT file 1-19

B

Bitmapped fonts, resident
 available fonts C-3
 samples of A-1
Button functions 2-3 to 2-4

C

Cable, interface 1-15, 1-17, 3-6, 3-7
Cautionary notes
 electrostatic damage 1-5, 1-7, 1-16, 1-17,
 3-1, 3-3, 3-6, 3-7, 3-9, 4-1, 5-1
 paper jams 5-2
 printing off the physical page 2-33
 print unit
 exposing to light 1-7, 4-1
 removing protective sheets 1-7, 4-12
 touching drum 1-7, 4-12, 4-17
 turning upside down 4-9
CD-ROM, attached v
Centronics interface
 See Parallel interface
Changing the paper tray size
 optional tray 3-10
 standard tray 2-26

Cleaner and cleaner pad 4-5
Cleaner pad, ordering information B-1
Connecting power cord 1-14
Connecting printer to computer 1-1 5 to 1-1 7
CONT. button 2-42-5
Control panel
 buttons 2-3 to 2-4
 indicators 2-2
Controller specifications C-2
Conventions used in this manual vii
Corona wire
 cleaning procedure 4-10
 when to clean 4-2, 5-10

D

Dark printout
 See Print density adjustment
DATA indicator 2-2
Density
 See Print density dial; Print quality problems
Double-side printing 2-34
Duplex unit 3-13

E

Emulation, selecting 1-21
ENTER button 2-4, 2-10, 2-11 2-12, 2-13
Envelopes 2-25
Error indications 5-11 to 5-13
ERROR indicator 2-2
Ethernet interface 3-7

F

Floppy disk, attached v
Font samples, resident A-1 to A-3
Font specifications C-3

INDEX

FORM FEED button 2-4, 2-5
FPS emulation, installing 3-3
Front panel
 See Control panel
Fuser unit
 error condition 5-10
 when to replace 5-12

H

HP LaserJet 5 v
Humidity limitations 1-4, C-1

I

Indicators 2-2
Installation
 FPS emulation 3-3
 interface boards 3-4 to 3-8
 multi-function feeder 1-13 to 1-14
 paper feeder 3-8
 print unit 1-7
 printer driver 1-22
 RAM card 3-1 to 3-3
 toner bottle 1-7
Interface
 Ethernet 3-9 to 3-10
 LocalTalk 3-7 to 3-8
 parallel 1-16
 serial 1-17 to 1-19
 types and merits 1-15, 1-16
Inventory of printer 1-6

L

Labels 2-26
Landscape orientation
 See Orientation: page
Language of message display 2-5
LaserJet 5
 See HP Laserjet 5

Letterhead 2-24, 2-34
Light printout
 See Print density adjustment
LocalTalk interface 3-6
Location of printer 1-4
Loading paper 1-10

M

Maintenance
 periodic routine 4-2 to 4-17
 cleaning corona wire 4-10
 cleaning paper path 4-10
 cleaning precharger wire 4-17
 replacing cleaner pad 4-5
 replacing print unit 4-7 to 4-16
 replacing toner bottle 4-2 to 4-5
 when to perform 4-2
 preventive 4-1
Manual feed
 selecting 2-10
 using 2-30 to 2-31
MarkVision
 installation 1-27
 operating environments vi
Memory expansion cards
 installation procedure 3-1 to 3-3
 ordering information B-1
MENU button 2-4, 2-5, 2-12
Menu mode
 functions 2-12 to 2-16
 items 2-16
 structure and how to use buttons 2-12
 submenus, items, options 2-13
Message display 2-3
Message language 2-5, viii
MFF PAPER SIZE button 2-4, 2-11
Minus (-) button 2-4, 2-10, 2-11, 2-12, 2-13
MODE.COM file 1-19

Multi-function feeder (MFF)
 installing 1-13 to 1-14
 selecting 2-10
 setting paper size 2-11

O

ONLINE indicator 2-2
 Operating environments vi
 Operational problems 5-8
 Options v
 Ordering information B-1 to B-2
 Orientation, page 2-34

P

Page orientation 2-34
 Paper
 feeding manually 2-30 to 2-31
 loading in tray 1-10 to 1-11
 maximum and minimum sizes 2-22
 printing on nonstandard sizes 2-33 to 2-34
 sizes and types 2-21 to 2-26
 specifications c-4
 Paper feeder 3-8
 Paper guide before corona wire, cleaning 4-1 1
 Paper jams
 avoiding 5-8
 clearing 5-1 to 5-7
 Paper margin 2-23
 Paper path
 cleaning procedure 4-10
 ordinary and straight 1-3
 when to clean 4-2, 5-10
 Paper size of MFF, setting 2-1 1
 Paper source, selecting 2-10
 Paper trays
 changing the paper tray size
 optional tray 3-10
 standard tray 2-26
 different size of 3-13
 loading paper 1-10 to 1-11
 ordering information B-2
 maximum number of sheets c-4
 selecting 2-10
 Parallel interface 1-15 to 1-16
 Parts of printer 1-1
 Periodic routine maintenance 4-2 to 4-17
 Plus (+) button 2-4, 2-10, 2-11, 2-12, 2-13
 Portrait orientation
 See Orientation: page
 Power cord connection procedure 1-14 to 1-15
 POWER indicator 2-2
 PPMENU
 installation 1-26
 operating environments vi
 Precharger wire
 cleaning procedure 4-17
 when to clean 4-2, 5-10
 Preprinted sheets 2-24
 Preventive maintenance 4-1
 Print density adjustment 1-29
 Print density dial, when to adjust 5-10
 PRINT FONT button 2-4,2-8
 Print font menu 2-8 to 2-9
 Print quality problems 5-9 to 5-11
 Print unit
 cautionary notes
 exposing to light 1-7, 4-1
 removing protective sheets 4-12
 touching drum 1-7, 4-9, 4-12, 4-17
 turning upside down 4-9
 counter resetting 4-15
 installation procedure 1-7 to 1-9,
 4-12 to 4-14
 ordering information B-1
 procedure to remove 4-8 to 4-9
 when to replace 4-2, 5-10

INDEX

Printer

- connecting to computer 1-15 to 1-19
- nomenclature 1-1 to 1-3
- operational problems 5-8
- repacking 4-18
- resetting 2-4, 2-6

Printer drivers

- installation 1-22 to 1-25
- operating environment vi

Printer status indications 5-15

Printing

- a test page offline 1-20
- feeding sheets manually 2-30 to 2-31
- on letterhead 2-24, 2-34
- on nonstandard size papers and envelopes 2-33
- on transparency material 2-24 to 2-25
- supported paper types and sizes 2-21 to 2-25, C-4

Printing a trial document with a printer driver 1-28

Printing area 2-23

Printing performance C-2

Problems

- error indications 5-11 to 5-13
- operational 5-8
- paper jams 5-1 to 5-7
- print quality 5-9
- when printing a trial document 1-30

R

Ready, definition of 2-3

Rear stacker setting up 2-34

Repacking the printer 4-18

RESET button 2-4, 2-6

RESET MENU button 2-4, 2-12

Resetting

- the print unit counter 4-15
- the printer 2-6

Resident fonts, samples of A-1 to A-3

RS-232C serial interface

See Serial interface

S

Scalable fonts, resident

- available fonts C-3
- samples of A-1 to A-3

SELF TEST button 2-4, 2-6

Self test menu 2-6 to 2-7

Serial interface

- how to connect 1-17 to 1-19
- parameter setting 1-18 to 1-19

Setting up

- printer in menu mode 2-12
- rear stacker 2-32

Software set v, 1-6, 1-22

Specifications c-1 to c-4

Status indication 5-14, 5-15

Status report

- Action required 5-15
- No action required 5-13

Supplies, ordering information B-1

T

Temperature limitations 1-4, C-1

Toner bottle

- installation procedure 1-7 to 1-9
- ordering information B-1
- replacement procedure 4-2 to 4-5

Transparencies 2-24

TRAY SELECT button 2-4, 2-10

Two-sided printing 2-34

W

Warning messages 5-16

Fujitsu Offices

Please send your comments on this manual or on Fujitsu products to the following addresses:

FUJITSU AUSTRALIA LIMITED
475 Victoria Avenue, Chatswood
N.S.W., 2067, AUSTRALIA
TEL: (61-2) 410-4555
FAX: (61-2) 411-8603

FUJITSU CANADA INC.
2800 Matheson Boulevard East
Mississauga, Ontario L4W 4X5, CANADA
TEL: (1-905) 602-5454
FAX: (1-905) 602-5457

FUJITSU COMPUTER PRODUCTS OF
AMERICA, INC.
2904 Orchard Parkway, San Jose
CA 95134-2022, U.S.A.
TEL: (1-408) 432-6333
FAX: (1-408) 894-1709

FUJITSU DEUTSCHLAND GmbH.
Frankfurter Ring 211
80807 Munchen, GERMANY
TEL: (49-89) 32378-0
FAX: (49-89) 32378-100

FUJITSU ESPANA, S.A.
Almagro 40, 28009 Madrid, SPAIN
TEL: (34-1) 581-8400
FAX: (34-1) 581-8125

FUJITSU EUROPE LTD.
2 Longwalk Road, Stockly Park, Uxbridge
Middlesex UB11 1AB, ENGLAND
TEL: (44-81) 573-4444
FAX: (44-81) 573-2643

FUJITSU FRANCE S.A.
1, place des Etats-Unis Silic 310
94588 RUNGIS Cedex, FRANCE
TEL: (33-1) 41-80-38-80
FAX: (33-1) 41-80-38-66

FUJITSU HONG KONG LIMITED
Room 2521, Sun Hung Kai Centre
30 Harbour Road, HONG KONG
TEL: (852) 827-5780
FAX: (852) 827-4724

FUJITSU ICIM LTD.
Nagar Road, Pune 411 014, INDIA
TEL: (91-212) 681-528
FAX: (91-212) 680-238

FUJITSU ITALIA S.p.A.
Via Nazario Sauro, 38
20099 Sesto S, Giovanni (MI), ITALY
TEL: (39-2) 26294-1
FAX: (39-2) 26294-201

FUJITSU KOREA LIMITED
5-11th Floor, Koryo Keumyoong Center Bldg.
Yoidodong 23-6, Yongdungpogu
Seoul, KOREA
TEL: (82-2) 3787-6000
FAX: (82-2) 3787-6074

FUJITSU NORDIC AB
Kung Hans Väg 12
S-191 76 Sollentuna, SWEDEN
TEL: (46-8) 626-6000
FAX: (46-8) 626-6711

FUJITSU (SINGAPORE) PTE. LTD.
75 Science Park Drive
#02-06 CINTECH II, SINGAPORE 0511
TEL: (65) 777-6577
FAX: (65) 777-8794

FUJITSU SYSTEMS BUSINESS
(MALAYSIA) SDN. BHD.
Fujitsu Plaza, 1A, Jalan Tandang 204
P.O. Box 636 Pejabat Pos Jalan Sultan
46770 Petaling Jaya
Selangor Darul Ehsan, MALAYSIA
TEL: (60-3) 793-3888
FAX: (60-3) 793-0888

FUJITSU SYSTEMS BUSINESS
(THAILAND) LTD.
12th Floor, Olympia Thai Tower
444 Rachadapisek Road, Samsennok
Huaykwang, Bangkok 10310, THAILAND
TEL: (662) 512-6066
FAX: (662) 512-6068

FUJITSU TAIWAN LTD.
8th FL., NO. 170, Hung Tai Center
Tun Hwa N. RD., Taipei, TAIWAN
TEL: (886-2) 545-7700
FAX: (886-2) 717-4644

FUJITSU LIMITED
Computer Products Business Group
Kamikodanaka 4-1 -1, Nakahara-ku
Kawasaki-shi 211, JAPAN
TEL: (81-44) 754-8633
FAX: (81-44) 754-8510

Free Manuals Download Website

<http://myh66.com>

<http://usermanuals.us>

<http://www.somanuals.com>

<http://www.4manuals.cc>

<http://www.manual-lib.com>

<http://www.404manual.com>

<http://www.luxmanual.com>

<http://aubethermostatmanual.com>

Golf course search by state

<http://golfingnear.com>

Email search by domain

<http://emailbydomain.com>

Auto manuals search

<http://auto.somanuals.com>

TV manuals search

<http://tv.somanuals.com>