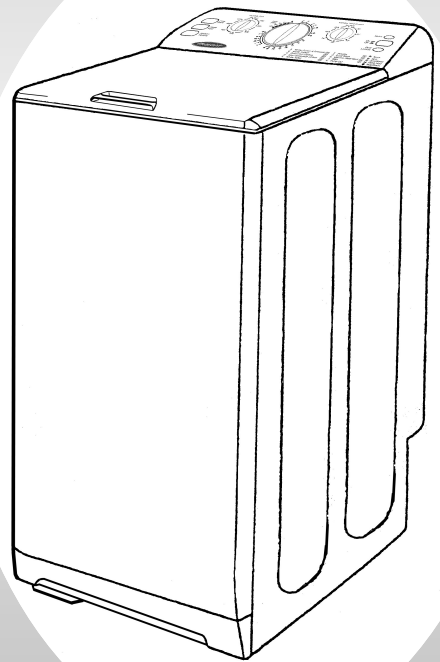




*Congratulations on the purchase of your new  
Top Loader Washing Machine.*

**IMPORTANT INFORMATION**

***Please read this Instruction Manual  
thoroughly before installing and using  
your appliance for the first time.***



# *Instruction Manual*

*For Model WMTL80*

# Safety First

This instruction manual contains important details on using your machine safely. Please keep it safe for your future reference.

If you pass the machine onto someone else, please make sure that you give them this manual so that the new owner can read these safety warnings.



- Dispose of packaging materials carefully and keep them well away from children.
- When disposing of your old machine, to minimise risk of injury to children, isolate from the electrical supply, remove the door, the plug and cut the mains cable off flush with the appliance. Dispose of them separately to make sure that the appliance can no longer be plugged into a mains socket.
- This washing machine is designed for domestic use only.
- Before using your machine remove the transit fixing bolts complete with spacers, from the back of the machine. Keep the parts you remove for future transportation.
- Any electrical work necessary to install this machine should be carried out by a qualified electrician.



- Do not plug your machine into a socket when your hands are wet.
- Do not connect the washing machine to a single outlet instantaneous water heater.
- Do not try to modify this machine in any way.
- Do not connect the washing machine directly to an artificial water softening unit. Use the recommended amount of detergent for the water hardness in your area.
- Do not let children play with the machine or its controls.
- Do not stand on the machine or in the door opening.
- Do not lean on the door or use the door to lift or move the machine.
- Do not wash garments that have previously been treated with solvents.

# Contents

Safety First .....	2	<i>Washcare Tips</i> .....	13
Recycling & Disposal Information .....	3	<i>Automatic Safety Features</i> .....	14
Electricity Supply .....	4	<i>The Dispenser</i> .....	15
<i>Installation Instructions</i>		<i>Cleaning</i> .....	16
1. Choose a Location.....	5	<i>Troubleshooting</i>	
2. Remove Transit Bolts		<i>General Maintenance</i> .....	17
3. Levelling		<i>Hotpoint Guarantee</i> .....	18
4. Moving the Appliance.....	6	<i>Hotpoint After Sales Service</i> ...	19
5. Connect to the Water Supply .....	7	<i>Key Contacts</i> .....	Back Page
6. Connect to a Drainage System.....	8		
<i>When you have installed your appliance, ensure it is ready to use by following the 10 Step Check List on page 8</i>			
<i>Getting to know your Appliance</i> .....	9-11		
<i>Choosing a Wash Programme</i> .....	12		

## Recycling & Disposal Information

As part of Hotpoint's continued commitment to helping the environment, Hotpoint reserves the right to use quality recycled components to keep down customer costs and minimise material wastage. Please dispose of packaging and old appliances carefully. To minimise risk of injury to children, remove the door, plug and cut mains cable off flush with the appliance. Dispose of separately to ensure that the appliance can no longer be plugged into a mains socket.



## Retention of this Instruction Manual

Keep this instruction manual in a handy place for reference. It contains important details on the safe and proper use of your appliance. If you sell the appliance, pass it on to someone else, move house or leave it behind, make sure that you provide this manual so that the new owner can become familiar with the appliance and safety warnings.

# Electricity Supply

Make sure that the electrical socket is accessible. Take the mains lead from the back of the machine and plug it into the socket. We do not recommend wiring your machine directly into the mains supply.

## Changing the Mains Lead

If you have damaged the existing lead and need a new one, contact Hotpoint Service UK on 08709 066066 or [www.theservicecentre.co.uk](http://www.theservicecentre.co.uk) (or in the Republic of Ireland on 1850 302 200). A charge will be made. We strongly advise that fitting a new lead is carried out by a qualified electrician.

## Changing the Plug

If you need to change your plug if it does not fit your socket; isolate the machine from the mains supply. Cut off the supplied plug and safely dispose of the discarded plug.

Note: If you change the plug, the colour of wires in the mains lead may not match the colour of the markings which show different terminals in the plug. You must wire it as shown below.

### WARNING

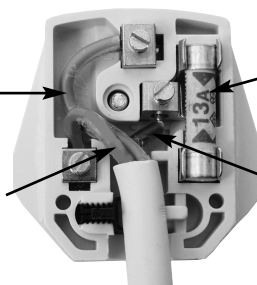
- **This machine must be earthed.**
- **Do not use the plug unless the fuse cover is fitted.**
- **To avoid a shock hazard, when changing a plug, always safely discard the cut off plug. Do not insert into any other socket.**
- **Seek professional advice if you need to use an extension lead.**

#### Green and Yellow (Earth)

Wire this to the terminal marked 'E';  
⊕ symbol or coloured green and yellow.

#### Blue (Neutral)

Wire this to the terminal marked 'N';  
or coloured black.



#### 13A ASTA

approved fuse to  
BS1363/A.

#### Brown (Live)

Wire this to the terminal marked 'L';  
or coloured red.

## Fuses

Your machine comes fitted with a plug and a 13amp (13A) fuse. If you need to replace the fuse, use only those rated at 13amp (13A) and ASTA approved to BS1362. To change the fuse, lift the holder to vertical position and lift the fuse out. To replace the fuse, insert the fuse and push the fuse holder down into the locked position. Correct replacement is identified by colour coding or the marking on the base of plug.

**WARNING:** Do not use plug unless the fuse holder is in the locked position and the top cover firmly replaced.

CE marking certifies that this appliance conforms to the following EEC directives:-

Low Voltage Equipment - 73/23/EEC

Electromagnetic compatibility - 89/336/EEC amended by 93/68/EEC



# Installation Instructions

## IMPORTANT INFORMATION:

- Do not plug in and switch appliance on at the mains until installation is complete.
- You may be charged for a service call if a problem with your appliance is caused by incorrect installation or misuse.

Follow these 5 steps for a trouble free installation:

1. *Choose a Location...*
2. *Remove Transit Bolts...*
3. *Levelling...*
4. *Moving the Appliance...*
5. *Connect to the Water Supply...*
6. *Connect to a Drainage System...*

## 1. Choose a Location...

The choice of location for your appliance will influence its performance.

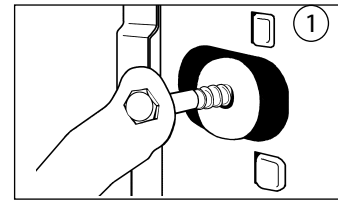
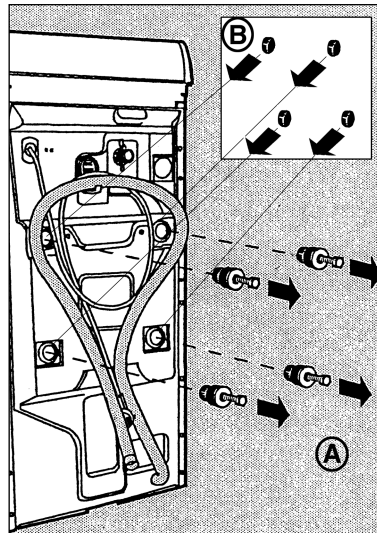
- Position where possible on a solid floor. Vibration may occur with a wooden floor.
- Take care with vinyl floor coverings. The weight of the appliance may cause indentations in some vinyl floor coverings.
- You should not install your appliance on a carpeted floor, but if this is unavoidable, ensure that air can circulate around its base.
- If locating next to another appliance or an item of furniture, leave space between them to allow air to circulate.
- For your safety and to comply with IEE regulations, you should not install your appliance in a bath or shower room. Seek professional advice if you wish to do so.
- Ensure sufficient space is allowed for the appliance - minimum requirement for dimensions (H) 850mm x (W) 400mm x (D) 600mm
- Ensure the electrical socket and water taps are easily accessible and that the water supply can be isolated if necessary.

## 2. Remove Transit Bolts...

BEFORE ATTEMPTING TO USE THE MACHINE, YOU MUST FOLLOW THE PROCEDURE DESCRIBED BELOW. These operations involve removing four transit fixing bolts that immobilise the tub of your machine during transportation.

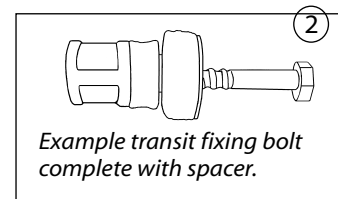
These "unpacking" operations are compulsory for safety reasons.

- Please retain all packaging components as they must be replaced if the machine is to be transported in the future.
- Your machine was inspected before leaving the factory. You may therefore find traces of water in the tub or in the detergent compartment.



Remove ALL four transit fixing bolts (A) using a 10mm spanner. Unscrew until three threads can be seen.

1.



Hold the end of the bolt and pull, firmly but carefully.

2.

**Ensure each transit fixing bolt is removed complete with spacer.**

When all four transit fixing bolts have been removed, blank off the holes left using the plastic covers provided (B).

3.

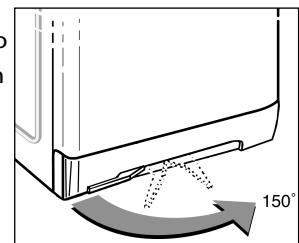
## 3. Levelling...

To guarantee correct functioning the appliance must be standing firm and level. The four feet can be turned to level the appliance. Ensuring your machine is level will help prevent vibration and risk of damage to the appliance.

## 4. Moving the Appliance... using the wheels.

If your appliance is fitted with folding castor's, it is easy to move. To extend the wheels, move the lever at the bottom of the machine from left to right.

Do not forget to return the lever to its original position. The machine should not be used while standing on its two 'front' castor's.



**Remember you may be charged for a service call if a problem with your appliance is caused by incorrect installation or misuse.**

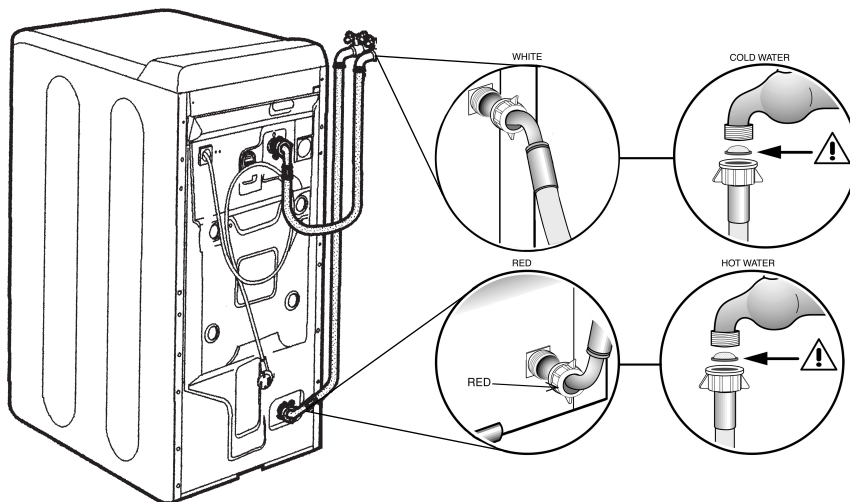
## 5. Connect to the Water Supply...

- Water inlet: Minimum water pressure: 0.05 MPa or 0.5 bars  
Maximum water pressure: 1MPa or 10 bars
- The temperature of the incoming household hot water supply should ideally be 60°C and no higher than 70°C as this could cause damage to both your laundry and appliance.
- The water supply taps must be easily accessible when the appliance is installed.
- The appliance must be connected to the appliance water supply using the new hose set supplied, old hose sets should not be used.

### Hot and Cold Water Supply

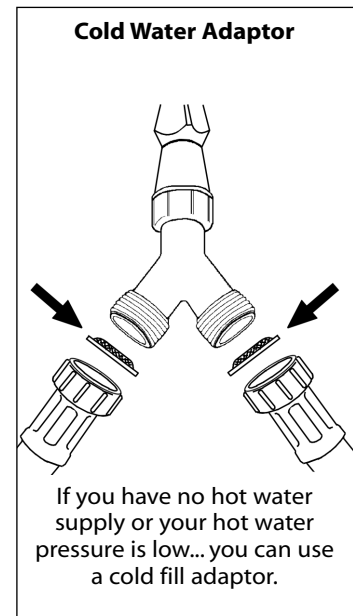
Both hot and cold fill hoses are supplied with your machine - packed in the drum for transit:

1. Connect the angled end of the RED marked hose to the RED plastic inlet valve at the back of the appliance. Connect the straight end to your HOT water supply.
2. Repeat the procedure connecting the angled end of hose without a mark to the WHITE inlet valve at the back of the appliance and the straight end to your COLD water supply.
3. Hand tighten connectors sufficiently to ensure water does not leak from the hose connections.
4. Turn on water supply taps and check for leaks from the connectors. In the event of a leak, turn off supply tap, remove connector and check sealing washer is in place. Refit connector and tighten. Turn on water supply taps.



### WARNING

- Do not connect appliance to a single outlet instantaneous water heater.

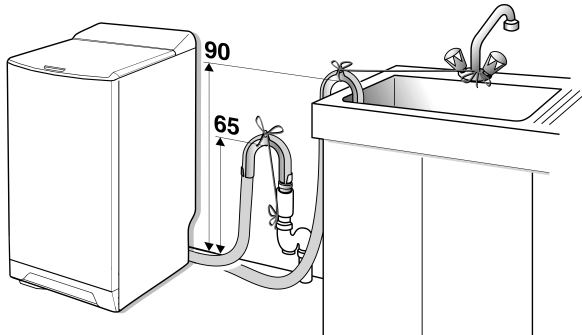


**Remember you may be charged for a service call if a problem with your appliance is caused by incorrect installation or misuse.**

## 6. Connect to a Drainage System...

- Connect up the drain hose, after fitting the hooked end support supplied in the machine.
- Do not position standpipe near an electrical outlet.
- For drainage into a standard worktop sink ensure the outlet pipe has a minimum bore of 32mm. To avoid syphoning ensure the end of the drainage hose is above the water level in the sink. If your sink is inset, the front edge of the basin must be less than 75mm from the front edge of your worktop (Fig 1).

Fig 1



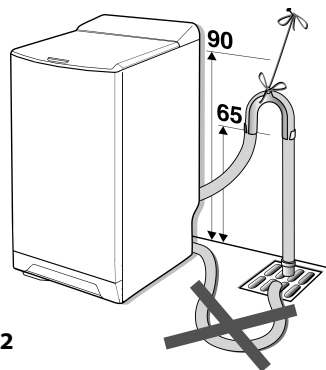
We recommend one of the following drainage methods:-

### Standpipe

**Note: Ensure the standpipe has a minimum diameter of 38 mm.**

1. Ensure hooked end of drain hose is positioned between 90 and 65cm above the bottom of the machine (Fig 2).
2. Untie the end of the GREY drainage hose from the rear of the appliance and place approximately 100 mm into the standpipe or sink trap spigot.

Fig 2



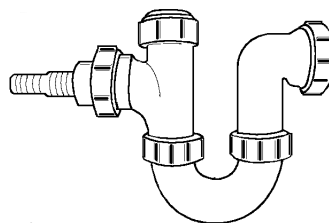
The waste water can be drained onto the ground, so long as the drain hose passes through a point between 90 and 65cm higher than the bottom of the machine (Fig 2).

### Sink Waste System

**Note: Ensure the sink outlet pipe has a minimum diameter of 32 mm.**

1. Untie the end of the GREY drainage hose from the rear of the appliance.
2. Reposition 'Hooked End Support' as required along the GREY drainage hose.
3. If fitting an under sink waste disposal unit (Fig 3), cut out the membrane, bung or blanking plug.
4. Attach the GREY drainage hose to the under sink waste disposal unit securely, using a hose clip.
5. Raise the hose to a minimum height of between 90 and 65cm to avoid syphoning.

Fig 3



- **Ensure the drain hose is securely attached, to prevent it coming away while the machine is in use and causing a flood.**

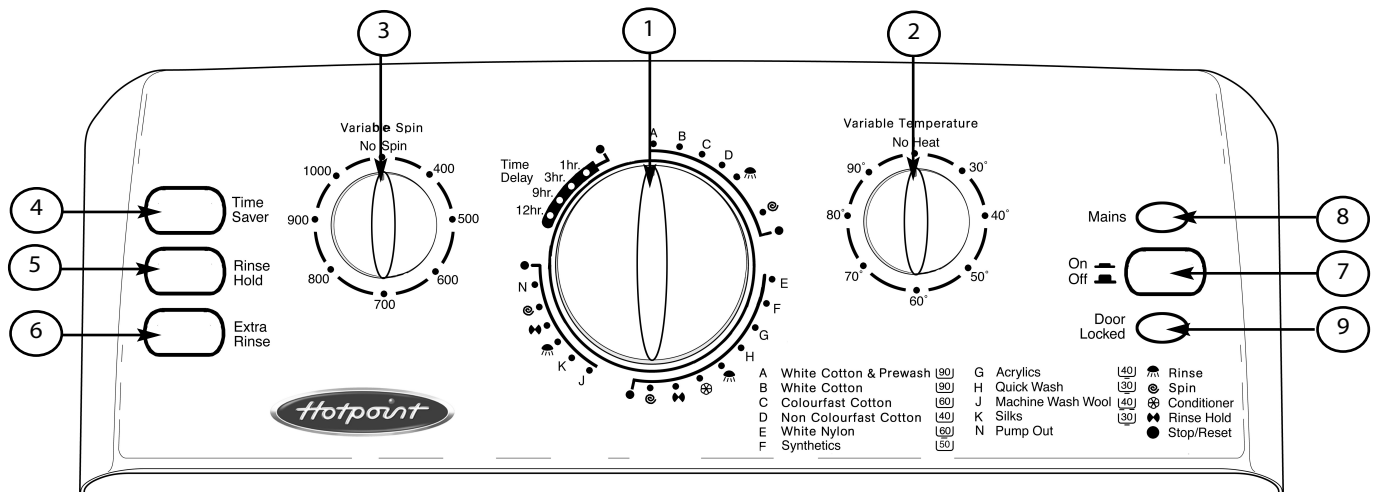
**When you have installed your appliance, ensure it is ready to use by following this 10 Step Check List**

1. Dispose of packaging safely, see 'Recycling Information'.
2. Position appliance close to electrical/water supply.
3. Remove all four Transit Fixing Bolts.
4. Connect supplied hoses to appliance water supply, confirm water is flowing before connecting to the appliance inlet valves.
5. Untie drainage hose at rear of appliance and connect to a drainage system see 'Drainage' opposite.
6. Untie mains lead at rear of appliance and plug into electrical supply via a switched socket, see 'Electrical Supply'.
7. Position appliance, taking care not to kink or damage hoses at rear of appliance.
8. Ensure the appliance is level.
9. Turn on the water supply to the appliance.
10. Switch on at plug socket.

- **Your appliance is now ready for use, refer to 'Getting to Know Your Appliance', to familiarise yourself with the appliance.**



# Getting to Know Your Appliance



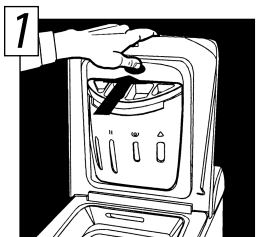
## The Controls

1.	Programme Selection Knob and Programme Start
2.	Temperature Control Knob
3.	Variable Spin
4.	Time Saver
5.	Rinse Hold
6.	Extra Rinse
7.	On / Off Button
8.	Mains On / Off Indicator Light
9.	Lid Locked Indicator Light

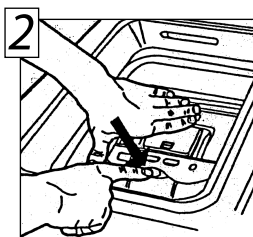
### WARNINGS

- Do not allow children to play with the appliance or tamper with the controls.

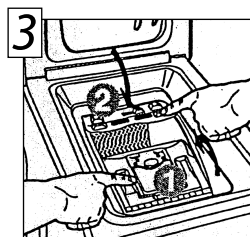
## How to open and close the drum



Lift the external lid and open it completely.



Open the drum, using both hands. Rest one hand firmly on the two flaps to prevent them springing open suddenly and hurting your fingers. Press the button indicated by the arrow. Once the hooks have released, open out the flaps fully.



Close the door by firstly folding down the front flap, followed by the rear flap. Ensure hooks on the front flap are housed correctly within the seat of the rear flap. Press both doors gently to check they have closed correctly. Then close down the external lid.

### WARNINGS

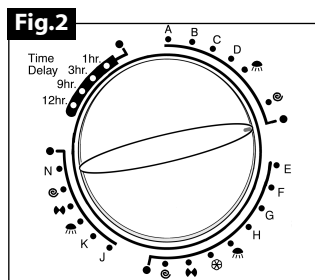
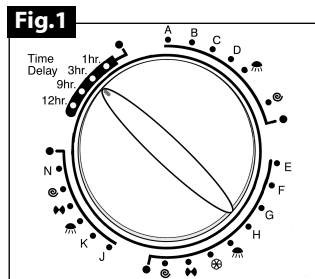
- The two drum flaps are fitted with strong springs - you MUST release them slowly and carefully.

# Getting to Know Your Appliance

## Functions

### WARNINGS

- **Do not overload appliance! It may damage laundry and reduce the quality of the wash.**



### 1. Programme Selection knob...

**Use to set all required programmes and also to Cancel or Interrupt programmes already set:**

Turn the knob, **clockwise** only, until the symbol/number of the required programme (refer to *Choosing a Wash Programme*) is in line with the pointer on the control panel. After selecting the required programme, press the Mains On/Off button (7), the On/Off Indicator Light (8) will flash. Once the programme has been accepted, this light stops flashing and will remain lit throughout the programme.

If you want to interrupt or cancel the programme in progress and set a new one, turn the dial to one of the ● (Stop/Reset) symbols, and wait 5 seconds. Once the cancellation has been accepted, the On/Off Indicator light (8) will flash - You can then set a different programme or switch the machine off (NB. wait approximately 2 minutes, before opening the lid, should you wish to add/remove garments).

### Setting the time delays: (see Fig.1)

You can also use this knob to delay the start of your selected programme. Turn the knob to align with one of the four delay programme positions (after 12, 9, 3 or 1 hours). Press the Mains On/Off button (7) and wait until the On/Off Indicator light (8) stops flashing. Once the light is static you can select the programme you require.

**NOTE: Lamp (8) flashes in a special way (2 seconds on and 4 seconds off) to indicate that a delayed start has been set. You are able to open the lid and change the wash load during the selected delay time.**

After any wash programme has been set and accepted by the washing machine, turning the Programme Selection knob will have no effect (except for when turned to position ● Stop/Reset).

### Reset the Programme Selection knob to a Stop/Reset position (●) before using your machine for the first time: (see Fig.2)

Before you use your machine for the first time we recommend you carry out the 'Reset' operation, just align the pointer to one of the ● symbols and wait at least 5 seconds.

If you have any doubts that the machine has accepted a command different from the one you require, always perform the reset operation and then reselect.

### 2. Temperature control knob...

**For each programme it is always necessary to select a temperature.**

Used to set the required wash programme temperature (refer to the *Choosing a Wash Programme*).

It also allows you to reduce the recommended temperature for the selected programme and even to set a cold wash cycle.

### 3. Variable Spin...

This is used to exclude the spin cycle or to reduce the spin speed of the selected programme. Maximum spin speeds for the four types of fabric are:

Fabric	Spin Speed
Cotton	1000rpm
Synthetics	800rpm
Wool	600rpm
Silk	n/a

Note: distribution phase will be carried out at a low speed.

**Note: We recommend on completion of your programme that you switch off the appliance by pressing the 'ON/OFF' button and release any option buttons selected.**

**As a safety measure, switch off both the mains electricity and water supply to the appliance.**

# Getting to Know Your Appliance

## Functions

4. *Time Saver...*  
Pressing this button reduces the length of wash by up to 30%.  
**This option cannot be used on the Special Programmes or the Wool and Silk Programmes.**
5. *Rinse Hold...*  
This is a useful option which prevents delicate and synthetic items from creasing when you are unable to remove the washing at the end of the wash cycle. When selected the cycle is interrupted before the final spin and the laundry is held in the water to avoid creasing. To complete your selected programme, press button **5** again.  
Option available with programmes **E-F-J** and the programme will come to a stop on **◆◆**.
6. *Extra Rinse...*  
An additional function for those with sensitive skins and/or allergies.  
It adds an extra rinse, improving rinsing results.  
Option available with programmes **A-B-C-D-E-F**.
7. *On / Off button...*  
When pressed the appliance is switched on. When it is not the appliance is switched off.  
**Switching the appliance off does not cancel the selected programme.**
8. *Mains On-Off Indicator Light...*  
This light flashes when the appliance is switched on and awaiting a programme to be set. A steady light means that the appliance has accepted the selected programme.
9. *Lid Locked Indicator Light...*  
The lid locked indicator light shows that the machine lid is locked to prevent it from being opened accidentally. To avoid any damage to the mechanism you must wait until this light goes out before attempting to open the lid.

## WARNINGS

- **Do not overload appliance! It may damage laundry and reduce the quality of the wash.**

**Note: We recommend on completion of your programme that you switch off the appliance by pressing the 'ON/OFF' button and release any option buttons selected.**

**As a safety measure, switch off both the mains electricity and water supply to the appliance.**

# Choosing a Wash Programme

**IMPORTANT INFORMATION:** The temperature of the incoming water supply or selection of wash options will affect programme times.

Hotpoint recommend the Persil range of detergent products

Type of fabric, dirt degree - Always observe the treatment advice of the fabric manufacturer							*Duration
	Programme Selection knob 'A'	Temperature Control knob 'B'	Detergent for pre-wash	Detergent for main washing	Fabric Conditioner	Description of washing cycle	Minutes
<b>COTTONS</b>							
Heavily soiled whites	A	90°	✓	✓	✓	Prewash, Main wash 90°, rinse cycles, intermediate and final spin cycles	150
Heavily soiled whites	B	90°		✓	✓	Main wash 90°, rinse cycles, intermediate and final spin cycles	130
Heavily soiled whites	C	60°		✓	✓	Main wash 60°, rinse cycles, intermediate and final spin cycles	130
Normally soiled whites	D	40°		✓	✓	Main wash 40°, rinse cycles, intermediate and final spin cycles	115
Rinse cycles					✓	Rinse cycles, intermediate and final spin cycles	
Spin cycle						Draining and final spin cycle	
Stop / Reset	●					Interrupts / Cancels the selected programme	
<b>SYNTHETICS</b>							
White Nylon	E	60°		✓	✓	Main wash 60°, rinse cycles, anti-crease or delicate spin cycle	105
Heavily soiled colourfast synthetics	F	50°		✓	✓	Main wash 50°, rinse cycles, anti-crease or delicate spin cycle	85
Acrylics	G	40°		✓	✓	Main wash 40°, rinse cycles, anti-crease or delicate spin cycle	75
Quick Wash	H	30°		✓	✓	Main wash 30°, rinse cycles, anti-crease or delicate spin cycle	30
Rinse cycles					✓	Rinse cycles, anti-crease or delicate spin cycle	
Fabric softener					✓	Rinse cycles with automatic introduction of softener, anti-crease or delicate spin cycle	
Rinse Hold						Rinse hold for silk and especially delicate items.	
Spin cycle						Draining and delicate spin cycle	
Stop / Reset	●					Interrupts / Cancels the selected programme	
<b>DELICATES</b>							
Wool	J	40°		✓	✓	Main wash 40°, rinse cycles and delicate spin cycle	55
Silk, particularly delicate garments and fabrics	K	30°		✓	✓	Main wash 30°, rinse cycles, anti-crease or draining	45
Rinse cycles					✓	Rinse cycles, anti-crease or draining	
Rinse Hold						Rinse hold for silk and especially delicate items.	
Spin cycle						Draining and delicate spin cycle (wool)	
Draining	N					Draining	
Stop / Reset	●					Interrupts / Cancels the selected programme	
<b>PROGRAMMED START</b>							
12hr - 9hr - 3hr - 1hr delay						Start is delayed by 12 - 9 - 3 - 1 hours	
Stop / Reset	●					Interrupts / Cancels the selected programme	

**IMPORTANT:**  
To cancel the wash programme you have just set, select one of the ● symbols (Stop/Reset) and wait for at least 5 seconds.

Sort the laundry according to the wash care labels, the degree of soiling and the weight (*maximum weight - see next page*)

Close all zips and remove items from pockets

**Loading the machine:**

Lift the external lid and open it completely. Press the release button on the front drum flap and grasp the rear flap that lifts up to open the drum.

**WARNING: Release hold on flaps slowly and carefully as they are fitted with strong springs.**

Place the laundry in the drum loosely for best results, if possible combine large and small items. An overloaded drum will give unsatisfactory wash results.

*Take care that no items fall outside the drum.*

*Also ensure, no items are trapped between the two flaps.*

**QUICK WASH PROGRAMME:** Programme H - a 30 minute wash at 30° for delicate synthetics - your machine has programme designed to wash lightly soiled items in a short amount of time. By setting programme H at a temperature of 30°, you can wash different fabrics together (except for woollen and silk items), with a maximum load of 3kg. This programme allows you to save on both time and energy as it only lasts approximately 30 minutes. We recommend that you use liquid detergent and pour it into the wash compartment of the detergent dispenser.

Use programme B with a temperature of 60°C and without any buttons selected for the IEC 456 test.

# Washcare Tips

- Your machine can wash a maximum load of 5kg (cotton).
- Do not overload the machine (maximum load 5kg).  
In addition to reducing the quality of the wash, this may also damage your laundry and the machine.
- We strongly recommend that you do not wash **underwired bras** in this machine. Should the wires become detached it could cause damage to your clothes and the machine. If the washcare label states that the bra is machine washable, then we advise placing it in a sealed pillow case or a similar washbag.
- Do not use the machine if the item to be washed does not have a wash label.

## Before washing laundry we recommend that you do the following:

- Pre-treat awkward stains with washable treatments.  
Do not wash any items that have previously been treated with solvents.
- Close zips, fasten belts, tie strings and close press studs to prevent tangling.
- Empty all objects from pockets as they may damage clothes and the machine.
- Limit the size of absorbent loads, for example towels to 2.3kg to give good washing and rinsing results.
- Place small items in a wash bag.
- Always follow the care label on items when choosing a wash programme.
- Wash non-colourfast items or really dirty clothes separately as they may affect other items.

## Watch the Weight

For best results do not exceed the weight limits stated below (figures stated show weight when dry).

COTTON  
= **5kg**

SYNTHETIC  
= **2.5kg**

DELICATES  
= **2kg**

WOOL  
= **1kg**

TOWELLING  
= **2.3kg**

Reduce the load with heavily soiled items.

# *Automatic Safety Features...*

## *Programme Reset*

Your machine has an electronic control, which memorises the programme is selected. This will allow the machine to continue the selected programme from where it was interrupted, for instance after a power cut.

## *Lid Open Safety Devices*

Once the washing cycle starts, the Lid Locked indicator light will come on and the lid of your machine is locked. It will stay locked throughout the selected programme.

When the cycle has finished the Mains On/Off indicator light will flash, the lid will still be locked. Wait for approximately 2 minutes, the Lid Locked indicator light will go out and the lid can be opened.

## *Spinning Safety Device*

Your appliance has an electronic Auto Balance Control (ABC) which enables the spin cycle to be run at high speed with well-distributed loads.

Before each spin cycle the ABC system sets the drum to revolve in both clockwise and anti-clockwise directions in order to distribute the load evenly and start the spin cycle off gently.

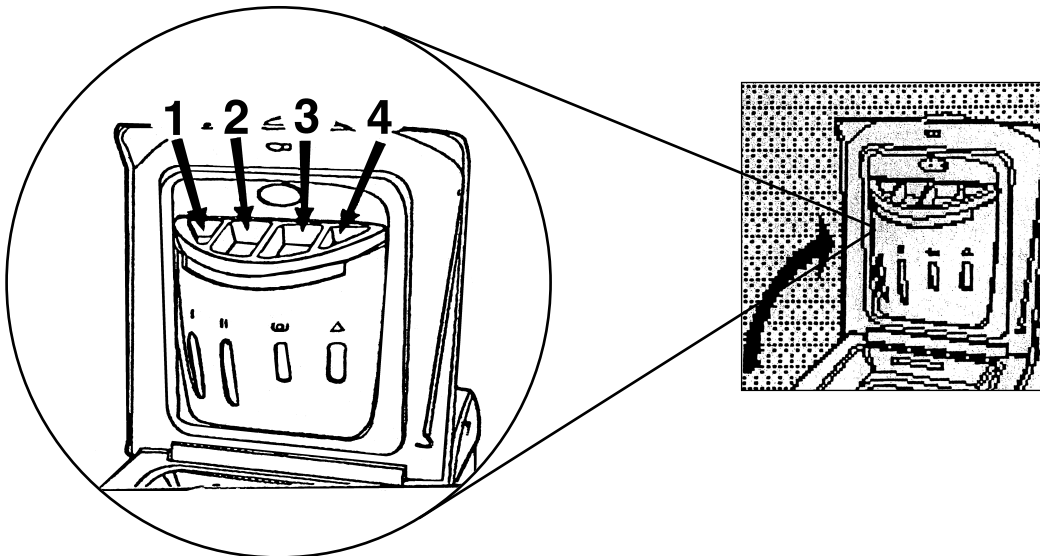
With some loads the ABC system may detect an unbalanced load, in which case the spin speed is automatically reduced to see if this resolves the problem - In this case the load will come out wetter than usual.

If the load is still unable to spin at the reduced speed the ABC system will cancel the spin cycle - In this case, open the drum, redistribute the clothes and set a spin cycle programme.

# The Dispenser

## Opening the Machine

- Ensure that the On/Off button is in the 'OFF' position.
- Raise the external lid and open completely.



## Adding Detergent

- (1) Pre-wash (powder) , (2) Main wash cycle (powder or liquid)  
(3) Fabric conditioner and (4) Laundry Bleach

	Pre-wash	Main wash
Normal washing powders	140 ml	250 ml
Liquid detergents		180ml

We recommend that you use the graduated beaker provided with most washing products for measuring out your detergent.

The quantities recommended above refer to normal washing conditions and may be altered according to the hardness of the water and the level of soiling on the laundry.

- Soft water, or 'slightly soiled' laundry or 'quick wash' etc. **reduce the quantities by 10%**
- Very hard water or 'very soiled' laundry **increase the quantities by 10%**

**Concentrated detergents:** Follow the instructions printed on the packaging.

**Detergents for woollens and delicate fabrics:** It is advisable to use the appropriate detergent for washing of those textiles (do not let it come into direct contact with the drum as some products attack the metal). Use the quantities recommended on the packaging.

- (3) Fabric conditioner

The conditioner is designed to make your clothes soft and pleasant smelling. Pour into compartment 3, following the manufacturers instructions. The fabric conditioner is then automatically added to the load during the last rinse. At the end of the programme there will be a small amount of water left in the compartment, this is normal and allows for the dilution of thicker conditioners. Should the amount of water increase you should clean the dispenser and clear the blockage.

- (4) Laundry bleach

Bleach is NOT required when using UK washing detergents.

ONLY USE washing machine laundry bleach in compartment 4. Most UK washing detergents do not require laundry bleach adding to the wash cycle..

### IMPORTANT:

- When filling the detergent compartments, open the lid as far as possible.

- Do not exceed the maximum level, overdosing the amount of detergent does not improve the quality of the wash and could cause excessive amount of suds.

The dispenser can be removed and cleaned (see Cleaning section).

# Cleaning

## IMPORTANT

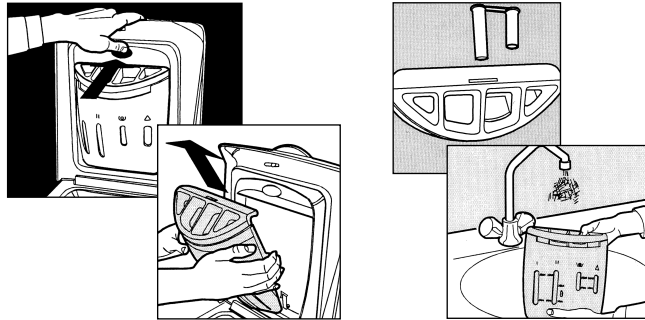
- **Disconnect from the electricity supply before cleaning as well as carrying out any type of maintenance procedure.**

## WARNING

- **Do not clean any part of your appliance with abrasive cleaners, scouring agents, acids, chlorine based bleach or metal polish as they may cause damage.**

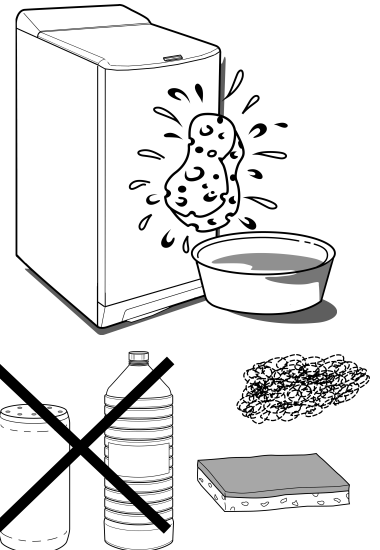
## Removing and Cleaning the Detergent Compartment

**Note: It is advisable to clean the detergent compartment regularly. To do this:**



- 1 Open the external lid completely. Press the dispenser release button and slide the dispenser upwards to remove
- 2 Remove the pair of syphon tubes.
- 3 Rinse all parts under the tap, using an old toothbrush (take care to remove any excess water remaining inside the compartment)
- 4 Replace the syphon tubes and relocate into the lid, ensuring it clicks into place.

## Cleaning the Exterior



Use only soap and water for cleaning the surfaces.  
Use only a cloth moistened with water when cleaning plastic parts, (control panels, plinth etc.)

## Emptying the Pump Chamber

Your machine comes equipped with a self cleaning pump that does not require any cleaning or maintenance. Small objects may accidentally fall into the pump: coins, hair clips, loose buttons and other small items. To avoid possible damage they are held in an accessible chamber situated at the lower end of the pump.

**To access the pump chamber:**

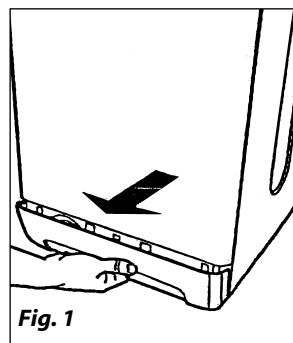


Fig. 1

- 1 Remove the front plinth at the bottom of the washing machine.

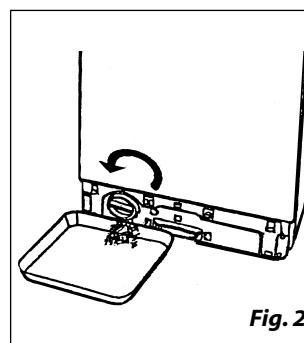


Fig. 2

- 2 Lift the cover, rotating it anti-clockwise. Remove any items in the chamber.

It is usual for a little water to come out after removing the cover. When replacing the front plinth, make sure you insert the hooks in their slots at the bottom right hand side of the machine before pushing it back into position.



# Troubleshooting...

**Incidents may occasionally occur when you are using your appliance, if so, check the following points:**

## *My appliance does not work*

Check:

- the mains on/off button has been pressed. Is the indicator light lit?
- water and power supplies
- the fuse
- that the lid is closed
- a programme has been selected

## *Machine will not start*

- is the mains on/off indicator light flashing?

Time delay is set.

- Turn the Programme Selector knob to a Stop/Reset position (●), wait 5 seconds before reselecting a programme.

## *Machine fails to fill*

Check:

- water taps are turned on
- have you got low water pressure
- water supply hoses are not trapped or kinked
- blockage in water valve filters.
- height of drain hose - is its position too low?

## *It vibrates when spinning*

Check:

- all four transit fixing bolts have been removed.
- machine is level and not standing on the two 'front' castor's.
- location, has enough space been allowed for the machine?
- in the drum, has there been an unbalanced load? Redistribute the load and set a spin cycle programme.

## *I have selected the wrong programme*

- Turn the Programme Selector knob to a Stop/Reset position (●), wait 5 seconds before turning the Programme Selector to the new wash programme.

## *There is water on the floor near the appliance*

**(VERY IMPORTANT: switch off and unplug the machine at the power socket)**

Check:

- the drain hose hook fitting is properly located in the drain.
- the washer on the water inlet hose or tap (check that washers are present and the hose connectors on the appliance are tight).

There may also be water on the ground, near the appliance if your appliance is producing too much suds. In this case check:

- that you have in fact used WASHING MACHINE DETERGENT.
- that you have not used too much detergent.

In these two cases, after mopping up the water, plug in the power again, programme an emptying operation if your machine can do this (if not, proceed as indicated in the next section), then carry out several rinses.

Finally restart your programme.

## *It does not empty or the clothes are not properly spun*

Check:

- is Rinse Hold selected?
- drainage hose is not trapped or kinked.
- the pump and clear any blockage.

## *Lid fails to open at the end of a programme*

- if the programme is interrupted before the machine has completed a wash cycle, it might not be possible to open the lid, even after the lid locked light has gone out:
  - Select a final spin ☉ and allow the machine to complete the spin cycle, when the dial reaches ● and the lid locked light goes out you should be able to open the lid.

## *General Maintenance...*

### ● **Risk of freezing:**

If there is a risk of freezing: disconnect the water inlet hose and empty out any water remaining in the drain hose by placing this as low as possible in the sink.

### ● **Maintenance of internal parts:**

In the interest of hygiene (eg. to prevent mould):

- leaving the lid open for a time after washing.
- every month or so, clean the plastic and rubber parts around the tub access using a slightly chlorinated product. Rinse thoroughly.
- do a wash cycle at 90° at least once a month.

### ● **Periodic Checks:**

You should check the condition of the water inlet and the drain hoses. If you find any splits, however minor, do not hesitate to replace them, call our Genuine Parts & Accessories Hotline, see back cover for details.

**Remember you may be charged for a service call if a problem with your appliance is caused by incorrect installation or misuse.**



# Hotpoint guarantee

## “Satisfaction guaranteed or your money back”

We give you a unique ‘satisfaction guaranteed’ promise - **valid for 90 days** - after you have purchased your Hotpoint product. If there is a technical problem simply call Hotpoint Repair service or visit our web-site at [www.theservicecentre.co.uk](http://www.theservicecentre.co.uk) and where necessary, we will arrange for an engineer to call. If the technical problem is not resolved under this guarantee, **we will replace your machine or, if you prefer, give you your money back.**

All Hotpoint appliances carry a fully inclusive 12 month parts and labour guarantee as well as free replacement parts for the first 5 years (except microwaves, selected integrated appliances and cooker hoods, which have a one year guarantee) provided that they are fitted by a Hotpoint engineer.

### Guarantee terms and conditions

Your guarantee is only applicable in the United Kingdom or Republic of Ireland and is subject to the following provisions that your appliance:

- Has been installed and used correctly in accordance with this instruction booklet.
- Has been used solely for domestic purposes and is located on domestic premises (ie. not for commercial or trade use).
- Has been properly connected to a suitable electrical supply voltage as stated on the appliance rating plate.
- Has not been subject to misuse, accident, modified or repaired by anyone other than one of our own service engineers.



For information on any other Hotpoint product call: 08701 50 60 70

or visit: [www.hotpoint.co.uk](http://www.hotpoint.co.uk)



## Recycling & Disposal Information

As part of Hotpoint’s continued commitment to helping the environment, Hotpoint reserves the right to use quality recycled components to keep down customer costs and minimise material wastage.

Please dispose of packaging and old appliances carefully. To minimise risk of injury to children, remove the door, plug and cut mains cable off flush with the appliance. Dispose of these parts separately to ensure that the appliance can no longer be plugged into a mains socket.



## After sales service

**“No company is better positioned to offer an after sales service on a Hotpoint appliance than us - the manufacturer”**

As part of our commitment to you, all Hotpoint appliances have the added benefit of a fully inclusive parts and labour guarantee for the first 12 months. In addition to this you also have the advantage of **free replacement parts for the first 5 years** when fitted by a Hotpoint engineer. When the 12 months parts and labour guarantee expires we offer the following after sales service options:

### ***Repair Service and Information Help Desk***

UK: 08709 066066

[www.theservicecentre.co.uk](http://www.theservicecentre.co.uk)

Republic of Ireland: 1850 302 200

Note: Our operators will require the Model number and the Serial number of your machine, (which can be found by removing the front plinth from the appliance).

Available 364 days a year with a fast, effective and value for money service.

We have the largest white goods repair service in the UK with over 1200 of our own fully trained engineers. All repairs include a parts and labour guarantee for 12 months from the date of the repair.

If you require any information or have any questions about your appliance, our operators are on hand with help and advice.

All this ensures that you will receive the best available after sales service possible.

### ***Extended Warranties***

UK: 08709 088 088

[www.theservicecentre.co.uk](http://www.theservicecentre.co.uk)

Republic of Ireland: 1850 502 200

Whether you have just one or a number of Hotpoint appliances in your kitchen, we offer two service cover plans to give you total peace of mind.

- Repair Protection Plan - FREE service repairs for a single Hotpoint appliance during the period of cover.
- Kitchen Cover - FREE service repairs for all your Hotpoint appliances less than 8 years old.

### ***Genuine Parts and Accessories***

UK: 08709 077 077

[www.theservicecentre.co.uk](http://www.theservicecentre.co.uk)

Republic of Ireland: (01) 842 6836

A wide range of genuine parts and accessories are available from our hotline or through our web site.

**Genuine parts and accessories, extended warranties and service repairs are all available on our web-site at:**



[www.theservicecentre.co.uk](http://www.theservicecentre.co.uk)



## **Key contacts**

### **After Sales Service**

Over 1200 trained specialists, directly employed by us, ensure that you can have complete confidence in both the appliances and services we offer.



### **Repair Service and Information Help Desk**

UK: 08709 066066

(Open 8 to 8 Mon - Fri, 8 to 6 Sat, 10 to 4 Sun & Bank Holidays)

[www.theservicecentre.co.uk](http://www.theservicecentre.co.uk)

Republic of Ireland: 1850 302 200

Note: Our operators will require the following information:

Model number

Serial number

### **Extended Warranties**

UK: 08709 088 088

(Open 8 to 8 Mon - Sun)

[www.theservicecentre.co.uk](http://www.theservicecentre.co.uk)

Republic of Ireland: 1850 502 200

### **Genuine Parts and Accessories**

UK: 08709 077 077

(Open 8-30 to 5-30 Mon - Fri & 9 to 12 Sat)

[www.theservicecentre.co.uk](http://www.theservicecentre.co.uk)

Republic of Ireland: (01) 842 6836

## Free Manuals Download Website

<http://myh66.com>

<http://usermanuals.us>

<http://www.somanuals.com>

<http://www.4manuals.cc>

<http://www.manual-lib.com>

<http://www.404manual.com>

<http://www.luxmanual.com>

<http://aubethermostatmanual.com>

Golf course search by state

<http://golfingnear.com>

Email search by domain

<http://emailbydomain.com>

Auto manuals search

<http://auto.somanuals.com>

TV manuals search

<http://tv.somanuals.com>