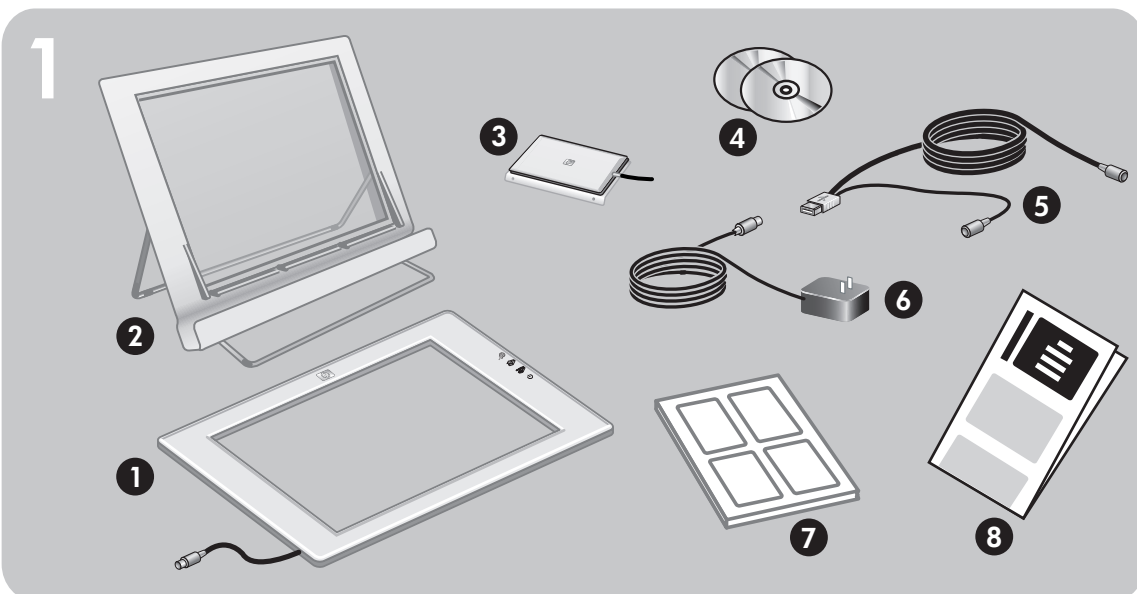


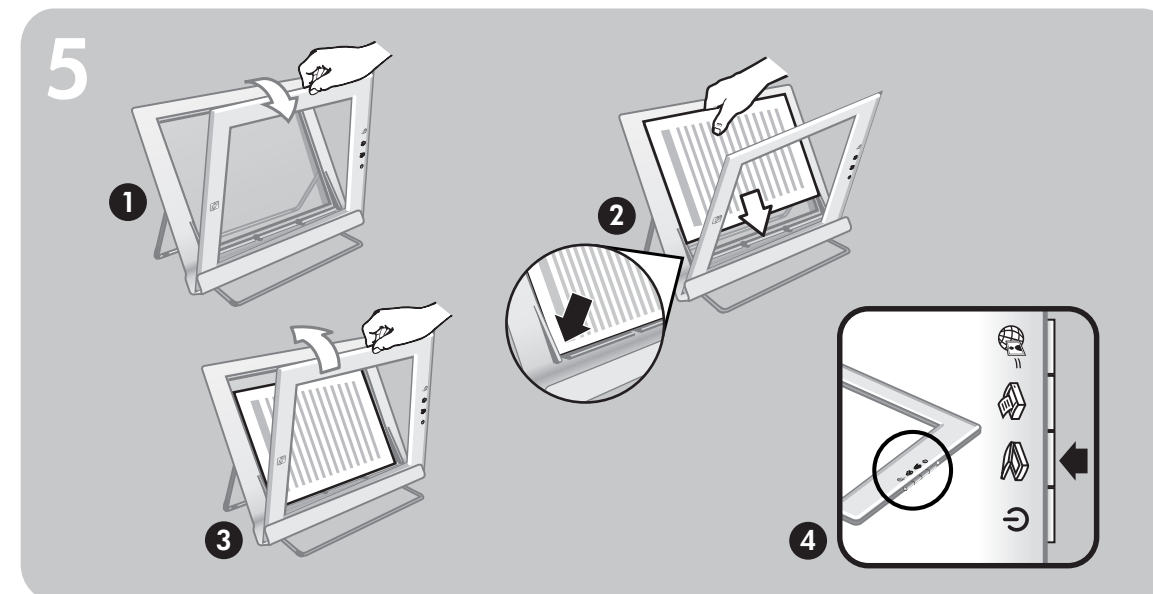


hp scanjet 4670 數位平台式掃描器 安裝



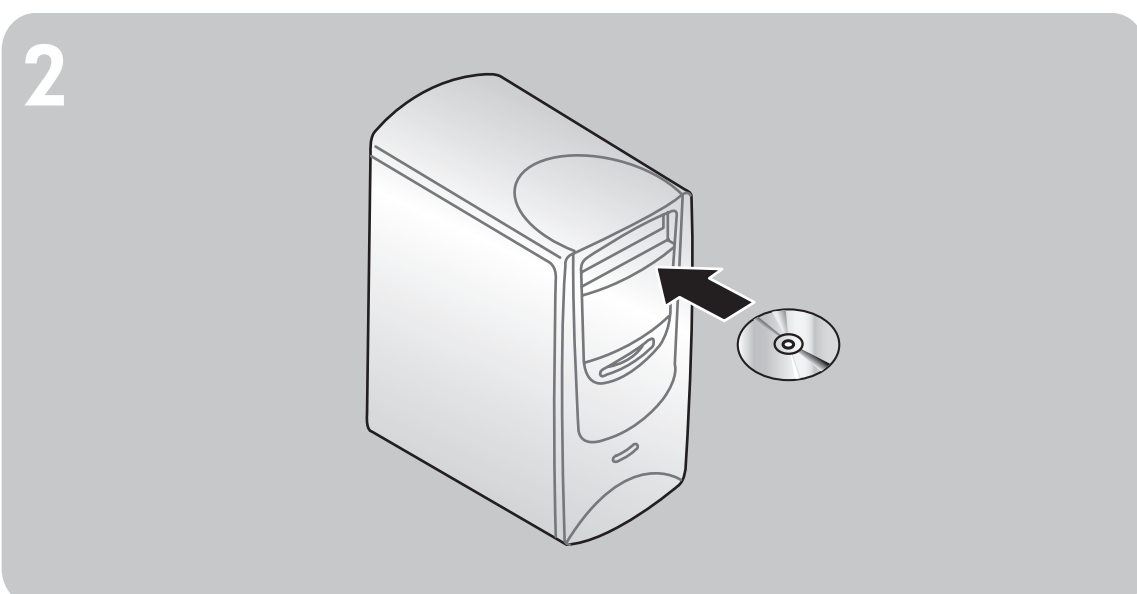
檢查包裝盒內物品

1. HP Scanjet 數位平台式掃描器
2. 垂直夾，附有用於存放的折疊式腳架
用於定位和夾住要掃描的項目
3. 透明材料配接器 (TMA)
若要獲取有關如何掃描幻燈片和負片的指示，請參閱《使用者手冊》。
4. 一張或多張光碟 (依您所在的國家/地區而定)
5. USB 和電源組合線
6. 電源線與交流電變壓器 (依您的掃描器而定，為一片式或兩片式)
7. 使用者手冊
8. 安裝須知



掃描相片和文件

1. 拉掃描器頂端邊緣，將掃描器朝夾的方向旋轉。掃描器可以靠在夾的前端上。
 2. 將項目正面朝上放置在夾的左下角，並且項目的頂端朝左。使用夾上的紙材放置插片來定位項目。
 3. 將掃描器放回它原來在夾上的位置。您可以透過掃描器玻璃板看到項目正面朝上。
 4. 按**掃描** 按鈕。
 5. 按照螢幕上的指示執行。
- 若要獲取有關如何掃描厚文件的指示，請參閱《使用者手冊》。



安裝軟體

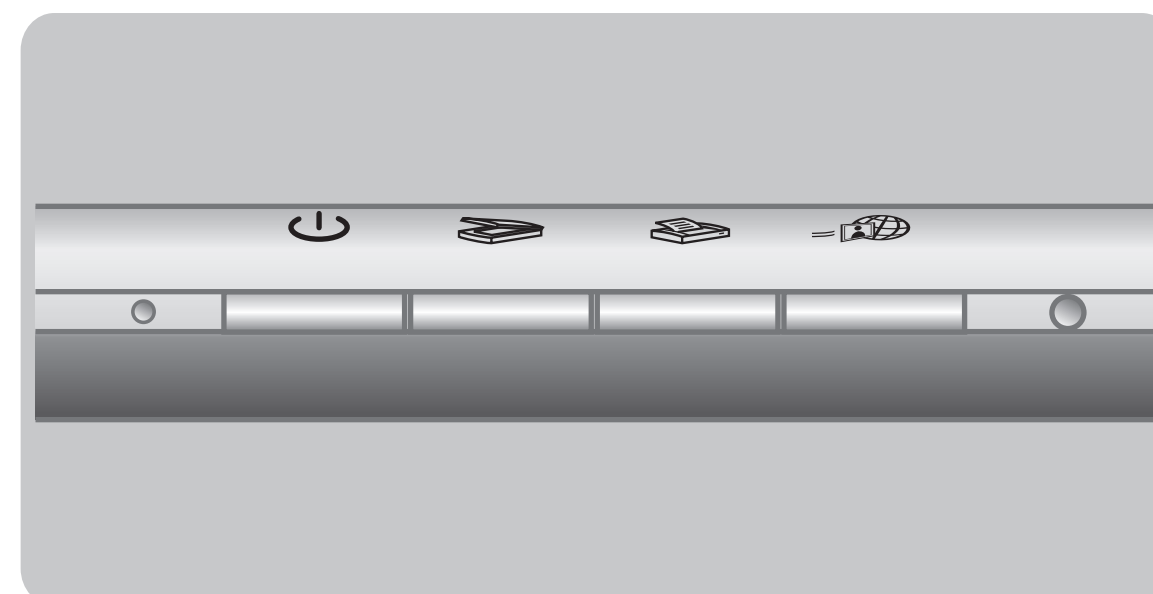
1. 若您要在 Windows 2000 或 Windows XP 系統上安裝軟體，請以管理員身份登入。請參閱作業系統的說明，以了解如何以管理員的身份登入。
2. 關閉電腦中所有已開啟的程式。
3. 找到適合您的語言的「HP 相片和影像」軟體光碟片。
4. 將光碟插入電腦光碟機。

Windows

按照螢幕上的指示執行。若安裝應用程式未自動啟動：在「開始」功能表上，按一下**執行**，然後鍵入：**x:setup.exe** (此處 **x** 為光碟機的字母代號)。若要掃描尺寸過大的項目 (大於掃描器的玻璃板)，請在要求您確認要安裝的軟體時，選取 **Panorama Maker** 和 **ReadIris Pro**。

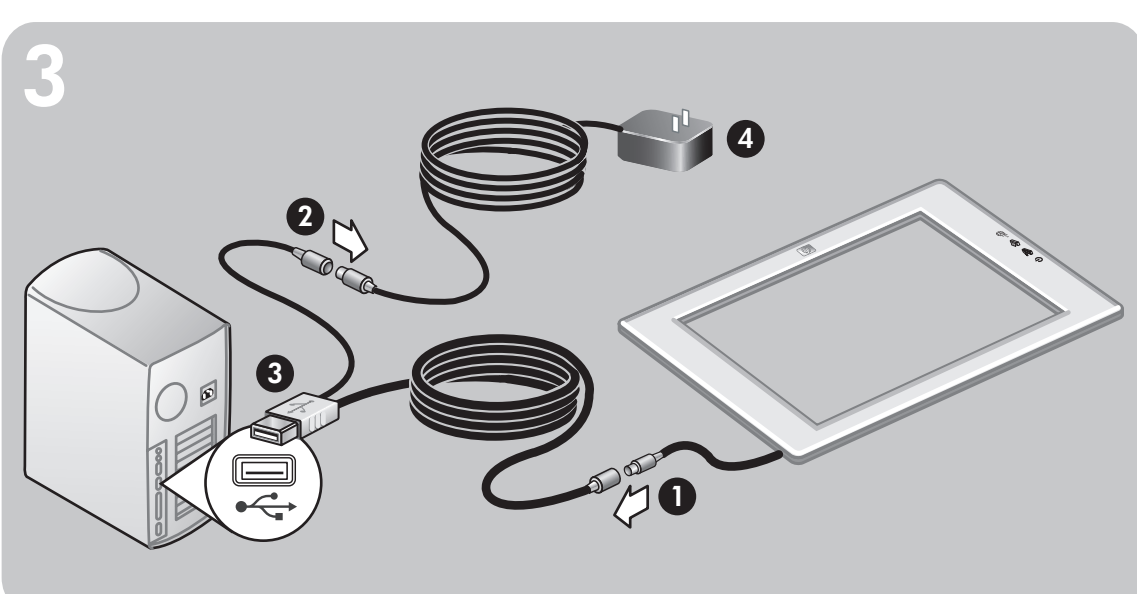
Macintosh

按二下光碟上的安裝程式圖示，然後按照指示執行。若要掃描尺寸過大的項目 (大於掃描器的玻璃板)，請連按二下 **Bonus** 資料夾圖示，然後再按二下 **Panorama Maker** 安裝程式圖示。



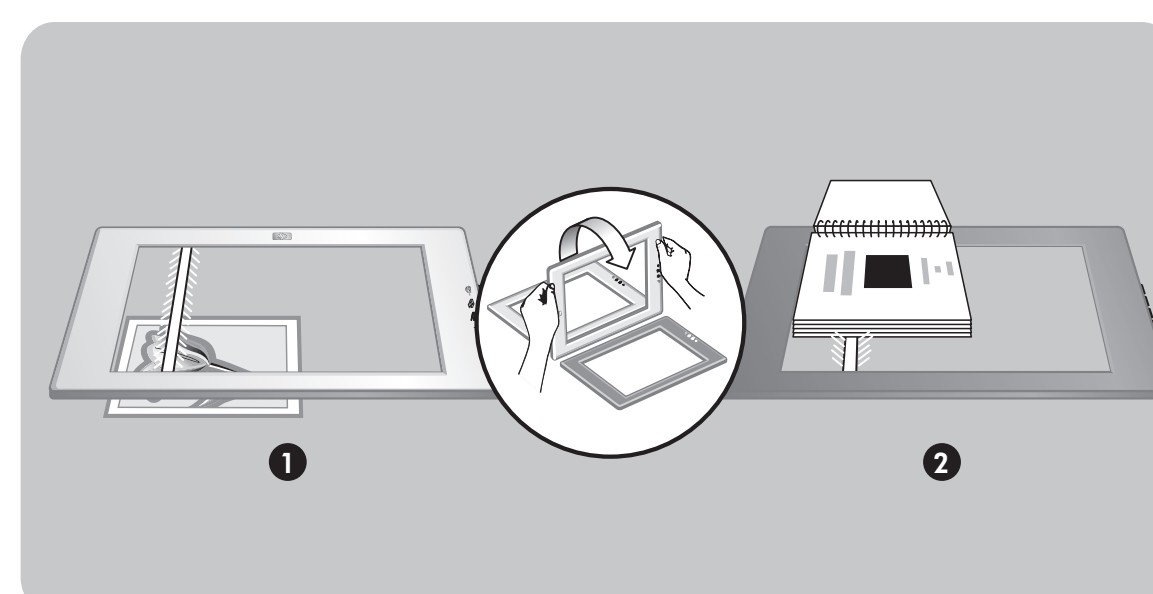
掃描器按鈕

- 省電** 關閉掃描器燈泡，並使掃描器進入低電力模式。
- 掃描** 掃描相片或文件，並將它放入您指定的目的地。
- 影印** 掃描相片或文件，並將它傳送到預設的印表機進行列印。
- HP Instant Share** 掃描相片並可讓您透過電子郵件來分享掃描的相片、在 HP 網站上建立線上相簿或訂購專業品質的相片 (並非在所有的國家/地區或作業系統上都可使用全部服務)。



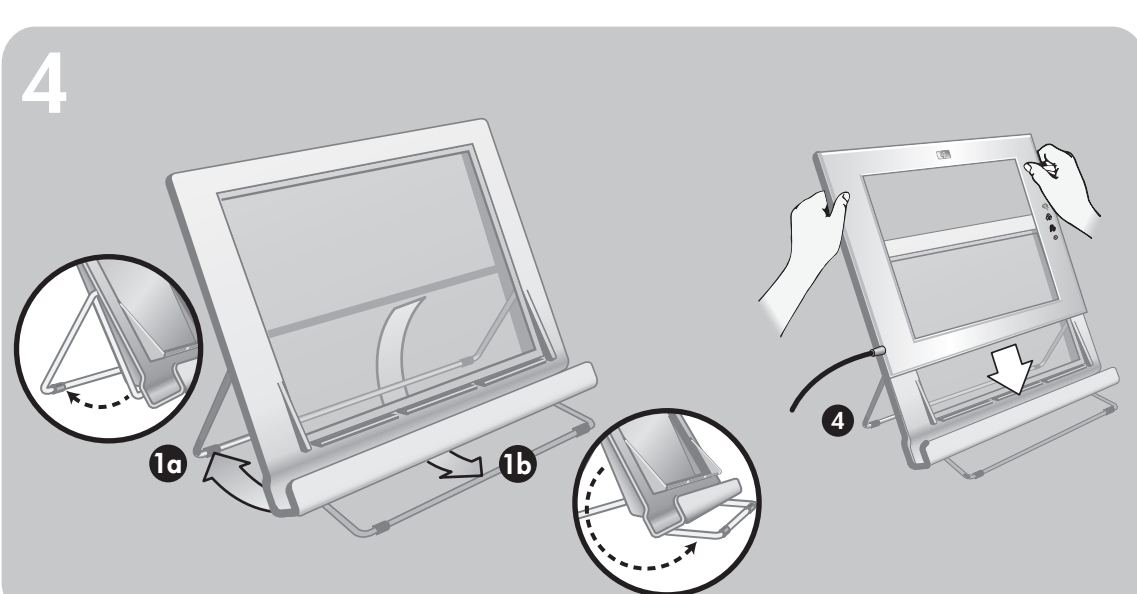
將掃描器連接到電腦並連接電源

1. 將 USB 和電源組合線與掃描器纜線連接。
2. 將電源線連接到 USB 和電源組合線中較短纜線的接頭上。
3. 將 USB 和電源組合線的 USB 接頭連接到電腦的 USB 連接埠上。
4. 完成下列其中一項：
 - 若您有一片式電源線，請將另一端連接到電源保護器或正確接地的牆上插座。
 - 若您有兩片式電源線 (變壓器隨附)，請將電源線的一端連接到變壓器，然後將變壓器的另一端連接到電源保護器或正確接地的牆上插座。



確定掃描面

- 掃描器二面都有玻璃板。一面稱為掃描面，另一面稱為檢視面。
1. **檢視面**：檢視面的玻璃板周圍有一個淺色的框，其中顯示 HP 標誌和產品名稱。當您在觀看檢視面時，可以透過玻璃板看到要掃描的項目正面朝上。掃描時，掃描器燈泡的光線會遠離這一面。
 2. **掃描面**：掃描面的玻璃板周圍有一個深色的框，這一面一律面對要掃描的項目。掃描時，掃描器燈泡的光線會透過這一面。



架設垂直夾，將掃描器安裝在夾上

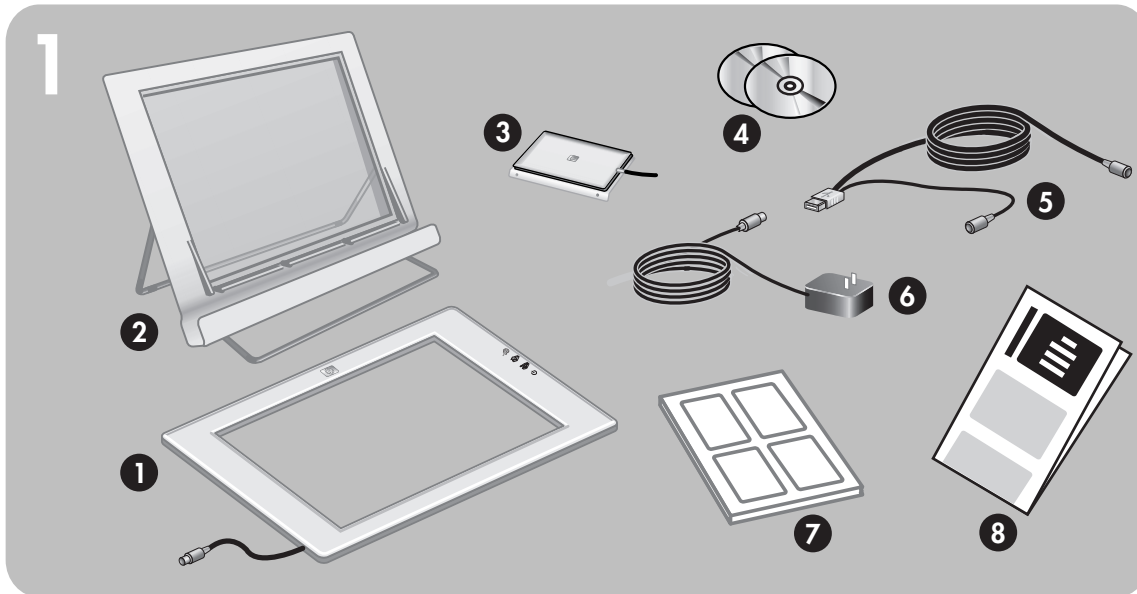
1. 將腳架旋轉到以打開支撐腳架。
 - a. 先打開後面的支撐腳架，確定它已到完全打開的位置。
 - b. 將前面的支撐腳架由夾的後面往前面旋轉，直到它卡住定位為止。
2. 在平坦的表面上架設夾。
3. 如果夾的正面貼有標籤，請將標籤撕下。
4. 將掃描器放置在夾中，使帶有 HP 標誌的淺色框朝向您。
按鈕會在掃描器的右側。掃描器伸出電源線的地方位在左下方。
5. 若要在夾上對齊掃描器，請以邊對邊的方式在夾中滑動掃描器，直到它牢牢地固定在夾中為止。
註：夾可用來存放掃描器、定位要掃描的項目，並提供平坦的表面以供掃描。掃描時並不一定要用到夾。

www.scanjet.hp.com
www.hp.com/support
www.shopping.hp.com (僅限美國)
www.hp.com (世界各地)

產品支援

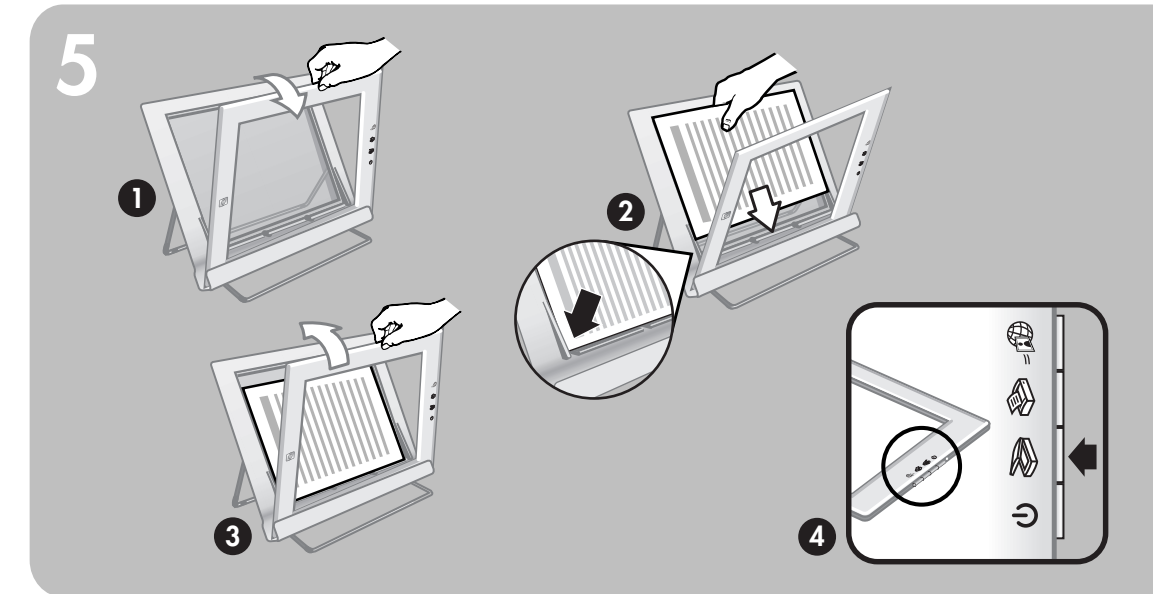
- 如需有關安裝問題、客戶支援以及如何使用掃描器的資訊，請參閱《使用者手冊》。印刷的《使用者手冊》包含在產品包裝盒中，或者可透過 HP 掃描軟體的「說明」功能表得到該手冊的電子版。
- 請造訪以下網站：
 - www.scanjet.hp.com，尋找關於產品更新、促銷以及掃描秘訣的資訊
 - www.hp.com/support，尋找關於客戶支援的資訊
 - www.shopping.hp.com (僅限美國) 或 www.hp.com (世界各地)，尋找關於訂購 HP 配件、耗材以及產品的資訊

hp scanjet 4670 digital flatbed scanner setup



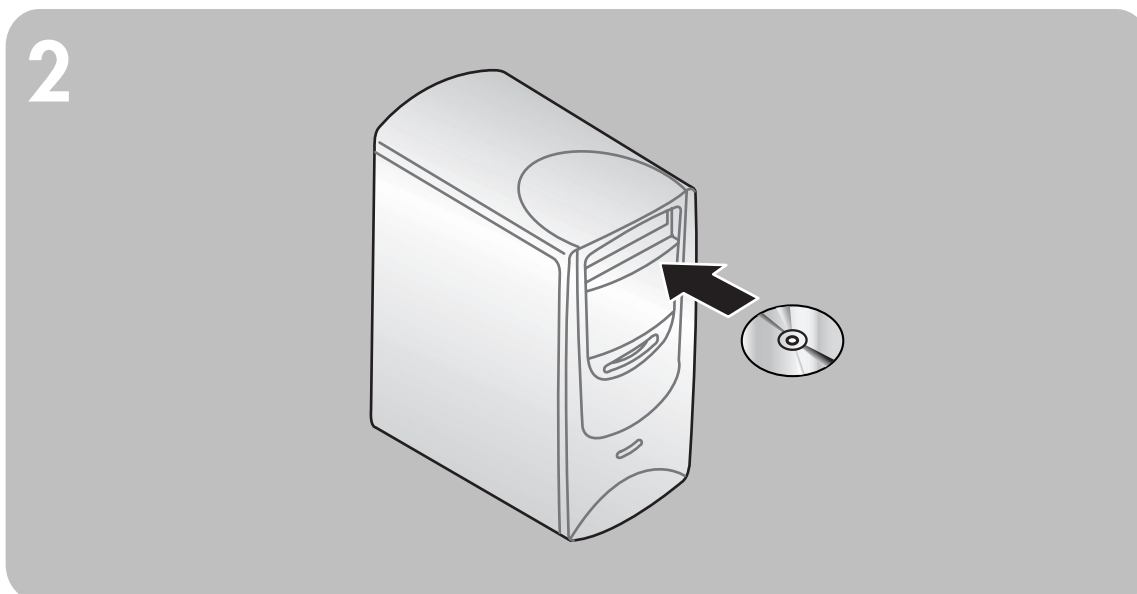
check the box contents

1. HP Scanjet digital flatbed scanner
2. Vertical holder, with folding legs for storage
Used for positioning and holding items for scanning
3. Transparent materials adapter (TMA)
For instructions on how to scan slides and negatives, see the User's Manual
4. One or more CDs (depending on your location)
5. Combination USB and power cable
6. Power cable and AC adapter (one or two pieces, depending on your scanner)
7. User's Manual
8. Setup Poster



scan photos and documents

1. Pull the top edge of the scanner, rotating the scanner forward in the holder. The scanner can rest against the front edge of the holder.
 2. Position the item face up in the lower left corner of the holder, with the top of the item facing left. Use the media placement tabs on the holder to position the item.
 3. Return the scanner to its original position on the holder. You can see the item face up through the scanner glass.
 4. Press the **Scan** button.
 5. Follow the instructions on the screen.
- For instructions on how to scan a thick document, see the User's Manual.



install the software

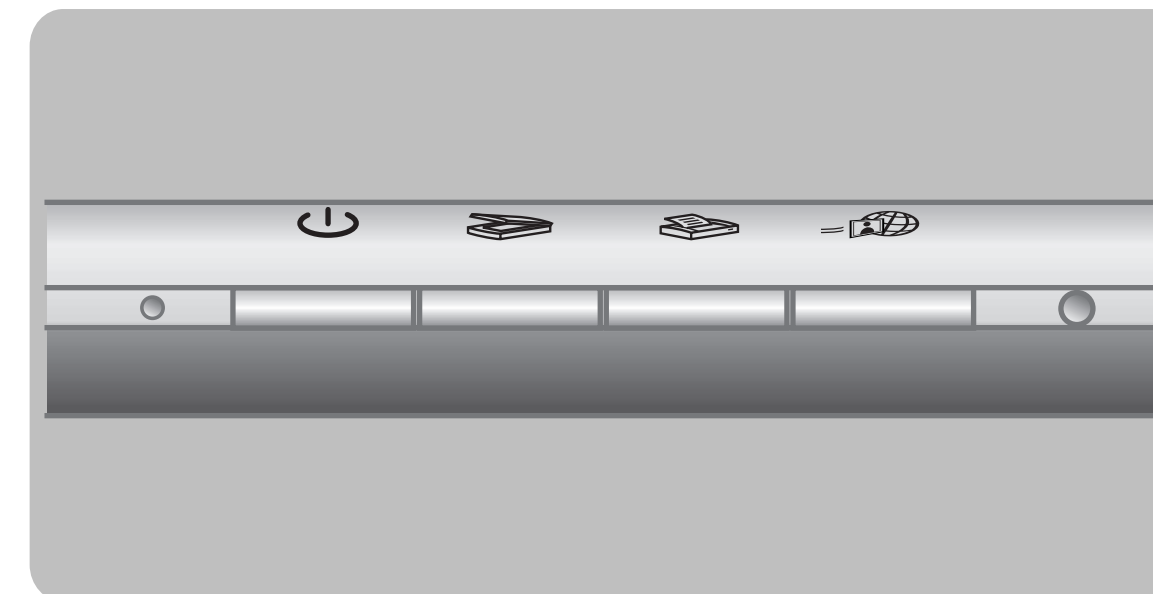
1. If you are installing the software onto a Windows 2000 or Windows XP system, log on as an administrator. See your operating system help for how to log on as an administrator.
2. Close all programs on the computer.
3. Locate the HP Photo & Imaging software CD that is appropriate for your language.
4. Insert the CD into the computer's CD drive.

Windows

Follow the instructions on the screen. If the installation application does not start automatically: On the Start menu, click **Run**, and type: **x:\setup.exe** (where **x** is the letter of the CD drive). If you will scan oversized items (larger than the scanner glass), select **Panorama Maker** and **Readiris Pro** when asked to verify the software to install.

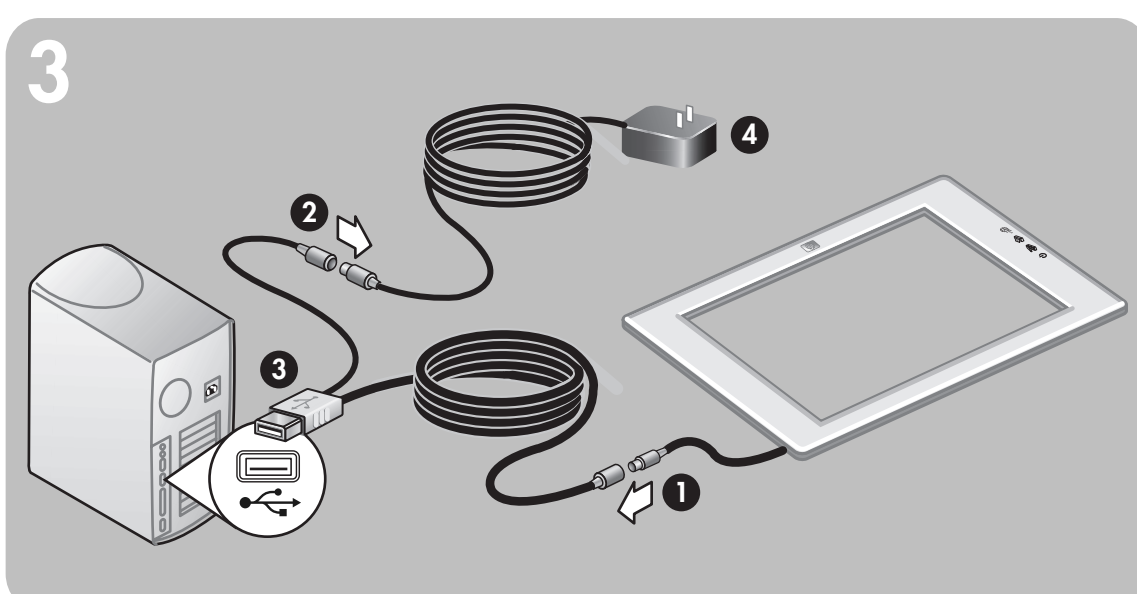
Macintosh

Double-click the installer icon on the CD and follow the instructions. If you will scan oversized items (larger than the scanner glass) double-click the **Bonus** folder icon, and then double-click the **Panorama Maker** installer icon.



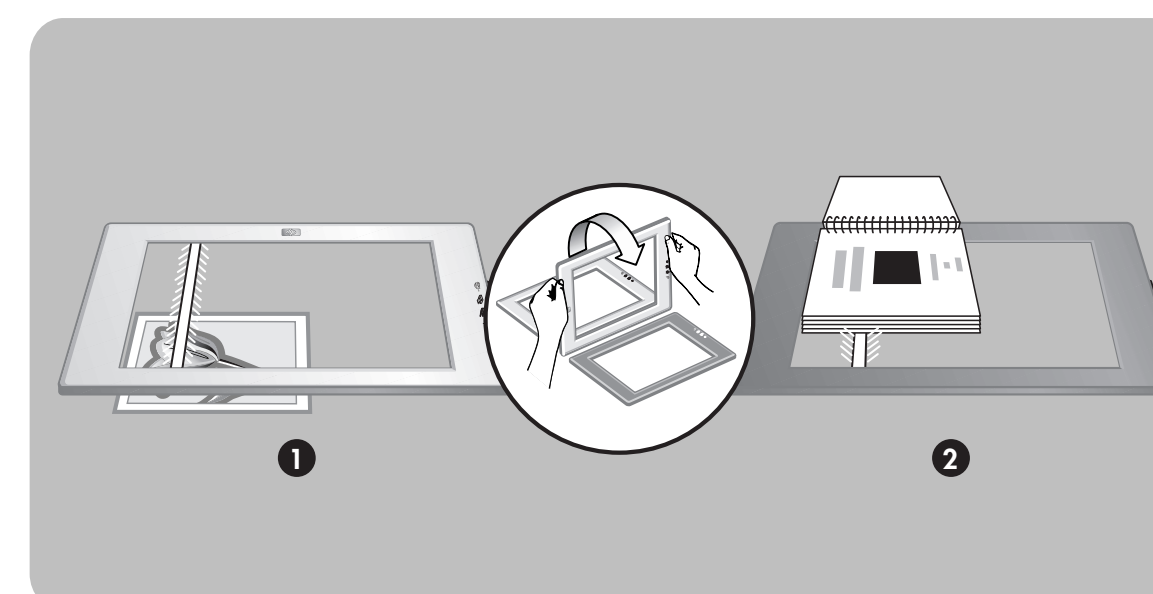
scanner buttons

- Power Save** Turns off the scanner lamp and puts the scanner in low-power mode.
- Scan** Scans a photo or document and places it in the specified destination.
- Copy** Scans a photo or document and sends it to the default printer to make copies.
- HP Instant Share** Scans a photo and allows you to share it in e-mail, create an album on the HP website, or order professional-quality prints. (Not all services available in all regions or on all operating systems.)



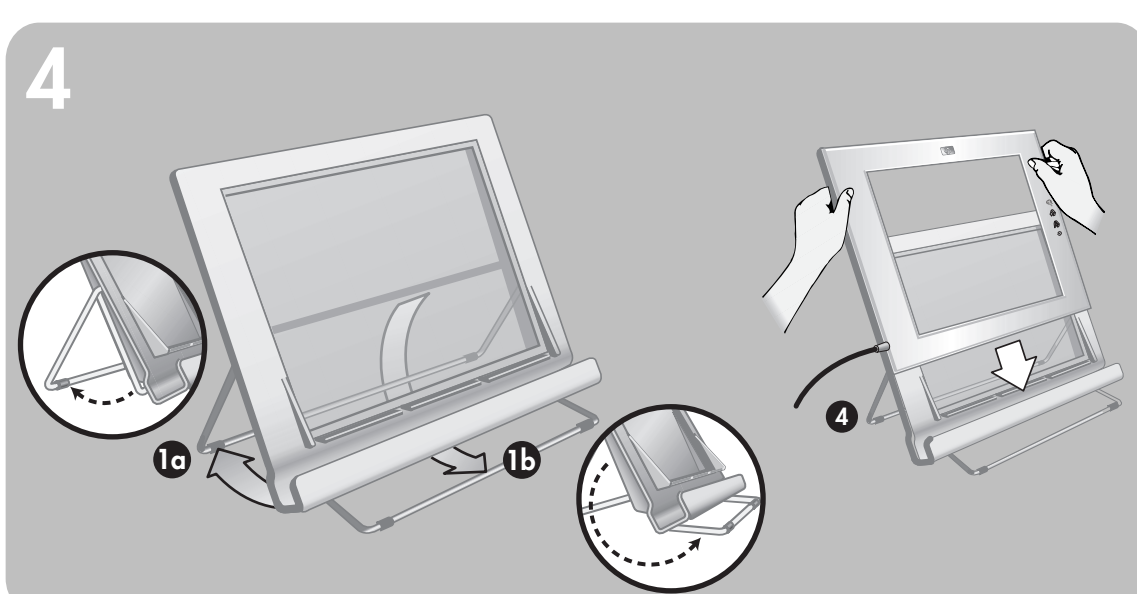
connect the scanner to the computer and connect the power

1. Connect the combination USB and power cable to the scanner cable.
2. Connect the power cable to the connector on the shorter cable of the combination USB and power cable.
3. Connect the USB connector of the combination USB and power cable to a USB port on the computer.
4. Do one of the following:
 - If you have a one-piece power cable, connect the other end to a surge protector or a grounded wall outlet.
 - If you have a two-piece power cable (comes with an adapter), connect one end of the power cable to the power adapter, and then connect the other end of the power adapter to a surge protector or a grounded wall outlet.



find the scanning side

- The scanner has glass on both sides. One side is called the scanning side; the other side is called the viewing side.
1. **Viewing side:** The viewing side has a light frame around the glass, which shows the HP logo and product name. You can see the item to scan face up through the glass as you look at the viewing side. The scanner lamp shines away from this side when scanning.
 2. **Scanning side:** The scanning side has a dark frame around the glass, which always faces the item being scanned. The scanner lamp shines through this side when scanning.



set up the vertical holder, set the scanner on the holder

1. Open the support legs by rotating them into place.
 - a. Open the rear support first; make sure it clicks into the fully open position.
 - b. Rotate the front support from behind the holder to the front of the holder until it clicks into place.
2. Set the holder on a flat surface.
3. If there is a sticker on the front of the holder, peel it off.
4. Place the scanner in the holder so the light-colored frame with the HP logo faces you. The buttons will be on the right side of the scanner. The cord exits the scanner at the lower left.
5. To align the scanner on the holder, slide the scanner from side to side in the holder until it is secured in the holder.

Note: The holder can be used for holding the scanner, positioning items to scan, and providing a flat surface on which to scan. The holder is not necessary for scanning.

www.scanjet.hp.com
www.hp.com/support
www.shopping.hp.com (U.S. only)
www.hp.com (worldwide)

product support

- For information on installation problems, customer support, and how to use the scanner, see the User's Manual. The printed User's Manual is shipped in the box or is available electronically from the Help menu in the HP Scanning software.
- Visit these websites:
 - www.scanjet.hp.com for product updates, promotions and scanning tips
 - www.hp.com/support for customer support
 - www.shopping.hp.com (U.S. only) or www.hp.com (worldwide) for ordering HP accessories, supplies, and products

Free Manuals Download Website

<http://myh66.com>

<http://usermanuals.us>

<http://www.somanuals.com>

<http://www.4manuals.cc>

<http://www.manual-lib.com>

<http://www.404manual.com>

<http://www.luxmanual.com>

<http://aubethermostatmanual.com>

Golf course search by state

<http://golfingnear.com>

Email search by domain

<http://emailbydomain.com>

Auto manuals search

<http://auto.somanuals.com>

TV manuals search

<http://tv.somanuals.com>