

HP Scanjet G4000 series



Setup and Support Guide

Panduan Pengaturan dan Dukungan





www.hp.com/support

Australia	1300 721 147
Australia (out-of-warranty)	1902 910 910
中国	021-3881-4518 800-810-3888 服务编码: 3003
香港特別行政區	2802 4098
India	91-80-28526900 1-600-425-7737
Indonesia	+62 (21) 350 3408
日本	0570-000511
日本 (携帯電話の場合)	03-3335-9800
한국	1588-3003
Malaysia	1800 805 405
New Zealand	0800 441 147
Philippines	2 867 3551
Singapore	6 272 5300
臺灣	02-8722-8000
ไทย	+66 (2) 353 9000
Viêt Nam	+84 88234530

Setup and Support Guide

English



Copyright and license

© 2006 Copyright Hewlett-Packard Development Company, L.P.

Reproduction, adaptation or translation without prior written permission is prohibited, except as allowed under the copyright laws.

The information contained herein is subject to change without notice.

The only warranties for HP products and services are set forth in the express warranty statements accompanying such products and services. Nothing herein should be construed as constituting an additional warranty. HP shall not be liable for technical or editorial errors or omissions contained herein.

Trademark credits

Microsoft and Windows are registered trademarks of Microsoft Corporation.

Contents

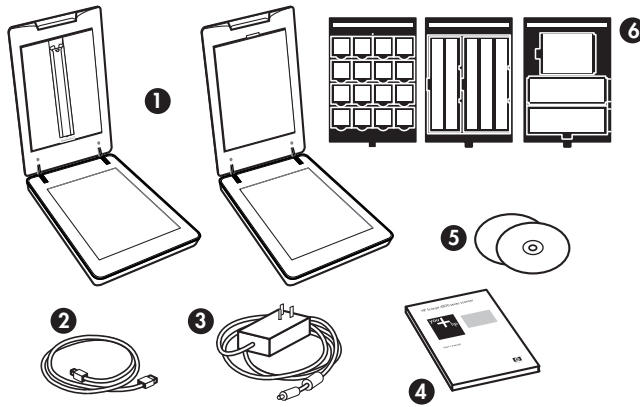
1	Get started	4
	Step 1. Check the box contents	4
	Step 2. Install the software	5
	Step 3. Connect the TMA cable	5
	Step 4. Connect the power supply	6
	Step 5. Connect the USB cable	6
	Step 6. Test the installation	8
2	How to use the scanner	9
	Where to get additional information	9
	HP Photosmart Windows software	9
	HP Photosmart Macintosh software	10
	Front panel and accessories overview	10
	Front-panel buttons	10
	Transparent materials adapter (TMA)	10
3	Scanner installation troubleshooting	12
	Uninstall and reinstall the software	12
	Check the cables	13
4	Regulatory information and product specifications	14
	Scanner specifications	14
	Transparent materials adapter (TMA) specifications	15
	Environmental specifications	15
	Recycle and restricted material information	15
	Disposal of Waste Equipment by Users in Private Households in the European Union	16
5	Product support	17
	Accessibility	17
	HP Scanjet Web site	17
	Getting assistance	18
6	Hewlett-Packard limited warranty statement	19

1 Get started

Follow these steps to set up the scanner:


Step 1. Check the box contents

Unpack the scanner hardware. Be sure to remove any shipping tape.

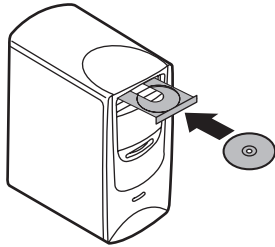


1	HP Scanjet G4010 or G4050 scanner
2	USB cable
3	Power supply
4	Setup and Support Guide (this book)
5	Scanning software CDs
6	TMA templates (HP Scanjet G4050 only)

Step 2. Install the software

-  **Caution** If you are installing the software onto a Windows computer, do not connect the USB cable to the computer yet. Install the scanning software before connecting the USB cable. If you are installing the software into a Macintosh computer, you can connect the USB cable either before or after installing the software.

1. Insert the HP Photosmart CD that came with the scanner into the computer CD drive.



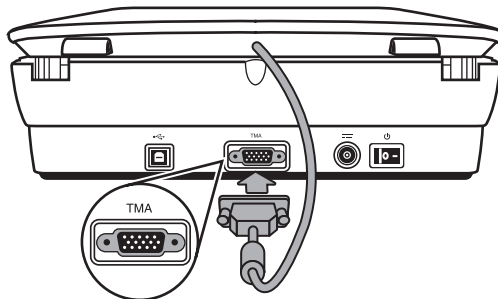
For Windows installations: Wait for the installation dialog box to display. If the installation dialog box does not display after a few moments, see *Scanner installation troubleshooting* on page 12.

For Macintosh installations: Double-click on the CD icon that appears on the desktop, and then double click on the HP Scanjet Scanner Install icon to start the installation.

2. Click **Install software** to install the scanning software. Follow the onscreen instructions to complete the scanning software installation.

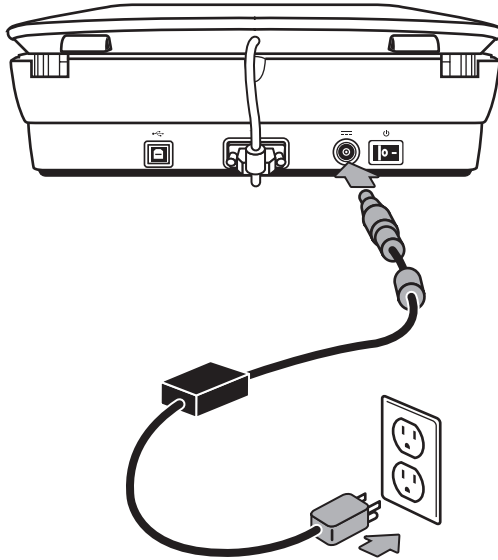
Step 3. Connect the TMA cable

- Connect the TMA cable from the lid to the scanner base.



Step 4. Connect the power supply

The power supply has an attached cable that plugs into the back of the scanner.



The power supply also has an AC cable that is connected to the power supply on one end and plugged into a power outlet or surge protector on the other end.

1. Plug the AC cable into the back of the power supply.
2. Plug the other end of the AC cable into a power outlet or a surge protector.

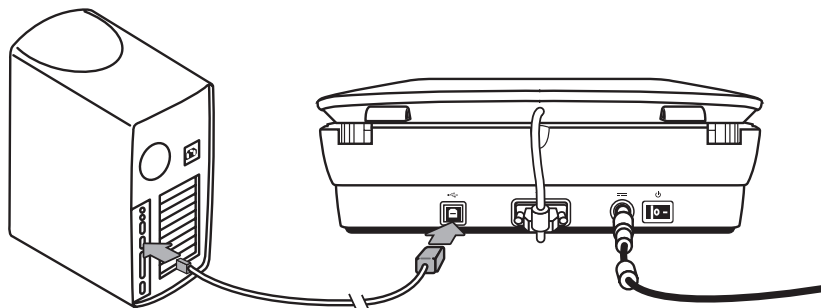
Step 5. Connect the USB cable



Caution If you are installing in a Windows environment, be sure you install the HP Photosmart software before connecting the scanner to your computer with the USB cable. See *Step 2. Install the software* on page 5. If you are installing in a Macintosh environment, you can connect the USB cable either before or after installing the software.

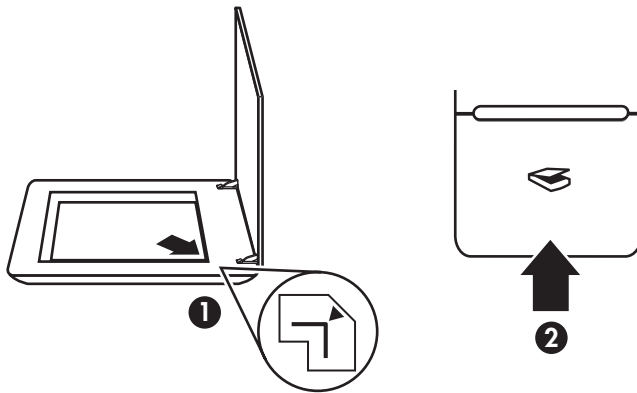
Use the USB cable that came with the scanner to connect the scanner to the computer.

1. Connect the square end of the cable to the scanner.



2. Connect the rectangular end of the cable to the computer.

Step 6. Test the installation



1. Place a photo or document on the scanner glass as indicated by the reference mark on the scanner.
2. Press the **Scan** (🖨️) button. If you are scanning using Windows software, the **What are you scanning?** dialog box appears. Follow the onscreen instructions to complete the scan.

If you are scanning using Macintosh software, the HP Scan Pro application opens and a preview of the scan is displayed. When the preview is accepted, the scanned image is sent to the destination that has been selected in the scanner settings.

If the **What are you scanning?** dialog box or the HP Scan Pro window does not appear, see *Scanner installation troubleshooting* on page 12.

2 How to use the scanner

This section presents an overview of the scanner and how to use it.

Where to get additional information

More information about the scanner and software can be found in the scanner Help file. If you have installed the HP Photosmart software that came with the scanner, double-click the **HP Solution Center** icon on your desktop, and then click **Help and Support**. Under the **Documentation** section, click **Product Help**.

To access an online version of the scanner user guide, click **Start**, point to **Programs** or **All Programs**, point to **HP, Scanjet, G4000 series**, and then click **User Guide**.

Macintosh users: For information about scanning procedures, open **HP Device Manager**, and then click on the question mark at the bottom of the dialog box.

HP Photosmart Windows software

When you install the HP Photosmart Windows software, two icons are added to your desktop. These icons open programs for scanning and editing your scans.

For information on how to use **HP Solution Center** and **HP Photosmart** software, see the scanner Help file. Double-click the **HP Solution Center** icon on your desktop, and then click **Help and Support**. Under the **Documentation** section, click **Product Help**.



HP Solution Center is the program that gets you started scanning pictures and documents. Use the HP Solution Center for all of the following:

- Perform scanning and copy functions
- Access help and troubleshooting information
- Access the HP Photosmart software to edit your scans
- Modify settings and preferences



HP Photosmart software is the program to use for manipulating, printing, archiving, and sharing your images after they have been scanned. You can get to the HP Photosmart software from the desktop icon or through HP Solution Center.

To start a scan:

Double-click the **HP Solution Center** icon on the desktop, click the tab for the scanner, and then click the task you want to perform.



Note If the **HP Solution Center** icon is not available on the desktop, click **Start**, point to **Programs** or **All Programs**, point to **HP**, and then click **HP Solution Center**.

HP Photosmart Macintosh software

When you install the HP scanning software on a Macintosh, two software programs are available in the Dock: HP Device Manager and HP Photosmart Studio. These programs are used for scanning and editing your scans.



HP Device Manager is the program that gets you started scanning pictures and documents. Use the Device Manager for all of the following:

- Perform scanning and copy functions
- Access help and troubleshooting information
- Access the HP Photosmart Studio to edit your scans
- Modify settings and preferences







HP Photosmart Studio is the program to use for manipulating, printing, archiving, and sharing your images after they have been scanned. You can open HP Photosmart Studio from the Dock, or from the HP Device Manager **Applications** menu.

Front panel and accessories overview

This section presents an overview of the scanner front panel and the transparent materials adapter (TMA).

Front-panel buttons

Icon	Feature name	Description
	Scan button	Scans pictures, graphics, documents, or objects.
	Scan Film button	Scans transparent positives (such as 35 mm slides) and negatives. Scanning film requires that you use the transparent materials adapter (TMA) located on the underside of the scanner lid.
	Copy button	Scans the item and sends it to the printer to make a copy.
	Scan to PDF button	Scans one or more pages and saves them as a PDF file for sharing or storing.



Note For more information on the default actions of these buttons in a Macintosh environment, open **HP Device Manager**, and then click on the question mark at the bottom of the dialog box.

Transparent materials adapter (TMA)

You can use the transparent materials adapter (TMA) to scan 35 mm slides or negatives. With the HP Scanjet G4050 TMA you can also scan medium- and large-format film. For more information about the TMA, see the scanner user guide. For

information about how to find the user guide, see *Where to get additional information* on page 9.

3 Scanner installation troubleshooting

This section contains solutions for installation and setup problems.

Uninstall and reinstall the software

An incomplete software installation could cause the scanner not to be recognized or the software not to launch correctly. Try uninstalling and then reinstalling the HP Scanning software. To reinstall the HP Scanning software, you must have the HP Photosmart software CD.

Windows environment:

1. Click **Start**, click **Settings**, and then click **Control Panel** (in Windows XP, click **Start**, and then click **Control Panel**).
2. Click **Add/Remove Programs** (in Windows XP, this is called **Add or Remove Programs**) and then select **HP Scanjet G4000 series**.
3. Click **Remove**.
4. Click **Add/Remove Programs** (in Windows XP, this is called **Add or Remove Programs**) and then select the **HP Photosmart** software.
5. Click **Remove**.
6. Unplug the scanner USB cable from the computer.
7. Reinstall the software, using the HP Photosmart software CD that came with your scanner. When you insert the CD, an installation interface launches automatically. Choose the **HP Photosmart** software to install.
8. Reconnect the scanner USB cable after the software is installed. For more information see *Step 5. Connect the USB cable* on page 6.

Macintosh environment:

1. Go to **Applications/Hewlett-Packard** and open **HP Uninstaller**.



Note You must have administrative privileges in order to uninstall the software.

2. When prompted, type your username and password. The **HP Uninstaller** window opens and displays the products that are available to be uninstalled.
3. Select the G4000 series product and click **Next**.
4. Follow the onscreen instructions to complete the uninstall process.
5. Reinstall the software, using the HP software CD that came with your scanner. After inserting the CD, click on the CD icon that appears on your desktop to begin the installation.


Check the cables

Cable type	Action
Power cable	<p>The power cable is connected between the scanner and a power outlet.</p> <ul style="list-style-type: none"> • Ensure that the power cable is securely connected between the scanner and a live electrical outlet or surge protector. • If the power cable is connected to a surge protector, ensure that the surge protector is plugged into an outlet and turned on. • Turn off the scanner power switch and turn off the computer. After 60 seconds, turn the scanner back on and then turn on the computer, in that order.
USB cable	<p>The USB cable is connected between the scanner and the computer.</p> <ul style="list-style-type: none"> • Use the cable that was included with the scanner. Another USB cable might not be compatible with the scanner. • Ensure that the USB cable is securely connected between the scanner and the computer. • If the USB cable is connected to a USB port on the front of the computer, move it to a USB port on the back of the computer. <p>For additional USB troubleshooting information, see www.hp.com/support, select your country/region, and then use the search tool to find USB troubleshooting topics.</p>
TMA cable	<p>The TMA cable is connected between the TMA in the scanner lid and the scanner base.</p> <p>Ensure the cable is securely connected in the back of the scanner.</p>

4 Regulatory information and product specifications

This section contains regulatory information and product specifications for the HP Scanjet G4000 series Photo Scanner and accessories.

Scanner specifications

Name	Description
Scanner type	Flatbed with transparent materials adapter (TMA)
Size	G4010: 303 mm x 5088 mm x 98 mm (11.93 x 20.00 x 3.86 inches) G4050: 303 mm x 5088 mm x 108 mm (11.93 x 20.00 x 4.25 inches)
Weight	G4010: 4.4 kg (9.6 lbs) G4050: 5.3 kg (11.6 lbs)
Scanning element	Charged-coupled device
Interface	USB 2.0 Hi-Speed
Hardware resolution	4800 x 9600 dpi hardware resolution
Selectable resolution	12 dpi to 999,999 enhanced dpi at 100 percent scaling
AC line voltage	100-120 V 60 Hz – North America 200-240 V 50 Hz – Continental Europe, United Kingdom, Australia 100-240 V 50 Hz/60 Hz – Rest of the world
Regulatory information	Regulatory model identification number: For regulatory identification purposes, your product is assigned a Regulatory Model Number. The Regulatory Model Number for your product is FCLSD-0605. This regulatory number should not be confused with the product name (HP Scanjet G4010 or G4050) or product numbers (L1956A and L1957A).
	Energy usage drops significantly while in ENERGY STAR® mode, which saves natural resources, and saves money without affecting the high performance of this product. This product qualifies for ENERGY STAR (MOU v. 1.0), which is a voluntary program established to encourage the development of energy-efficient office products.

Name	Description
	ENERGY STAR is a U.S. registered service mark of the U.S. EPA. As an ENERGY STAR partner, HP has determined that this product meets ENERGY STAR guidelines for energy efficiency. For more information on ENERGY STAR guidelines, go to the following Web site: www.energystar.gov

Transparent materials adapter (TMA) specifications

Name	Description
Media types	<p>G4010: Up to five 35 mm slides or six 35 mm negative frames</p> <p>G4050: Up to sixteen 35 mm slides, thirty 35 mm negative frames, up to two medium format film frames (120 roll film), or one large format film frame (220 roll film).</p>
Power requirements	12 Volts/400 mA max
Power consumption and regulatory information	For power consumption data, information on power supplies, and regulatory information, see the regulatory_supplement.htm file on the HP Photosmart software CD.

Environmental specifications

Name	Description
Temperature	Operating the scanner and TMA: 10° to 35°C (50° to 95°F)
	Storage: -40° to 60°C (-40° to 140°F)
Relative humidity	Operating the scanner and TMA: 15% to 80% noncondensing 10° to 35°C (50° to 95°F)
	Storage: up to 90% noncondensing at 0° to 60°C (32° to 140°F)

Recycle and restricted material information

Recycling

HP offers an increasing number of product return and recycling programs in many countries/regions, and partners with some of the largest electronics recycling centers throughout the world. HP conserves resources by reselling some of its most popular

products. For more information regarding recycling of HP products, please visit: www.hp.com/hpinfo/globalcitizenship/environment/recycle/

Product restricted material

This HP product contains the following material that might require special handling at end-of-life: Mercury in the scanner fluorescent lamp and transparent materials adapter (< 5 mg).

For recycling information, contact www.hp.com/go/recycle, your local authorities, or the Electronic Industries Alliance at www.eiae.org.

Disposal of Waste Equipment by Users in Private Households in the European Union



This symbol on the product or on its packaging indicates that this product must not be disposed of with your other household waste. Instead, it is your responsibility to dispose of your waste equipment by handing it over to a designated collection point for the recycling of waste electrical and electronic equipment. The separate collection and recycling of your waste equipment at the time of disposal will help to conserve natural resources and ensure that it is recycled in a manner that protects human health and the environment. For more information about where you can drop off your waste equipment for recycling, please contact your local city office, your household waste disposal service, or the shop where you purchased the product.

5 Product support

This section describes the options for product support.

Accessibility

The following accessibility options are available on this scanner:

Windows environment:

- To prevent buttons from being accidentally pushed, you can use the Button Disable Utility to disable the buttons. You can use the same utility to re-enable the buttons.
For more information about the Button Disable Utility, see the scanner User Guide.
- The scanner User Guide is also available in a Help format that is readable by most screen readers. To find this file, double-click the **HP Solution Center** icon on your desktop, and then click **Help and Support**. Under the **Documentation** section, click **Product Help**.

Macintosh environment:

- To prevent buttons from being accidentally pushed, use the Button Disable Utility to disable the buttons. You can use the same utility to re-enable the buttons.
For more information about the Button Disable Utility, see the HP Scanjet Scanner Help.
- The HP Scanjet Scanner Help is available in a format that is readable by most screen readers. To find this file, open **HP Device Manager**, and then click on the question mark at the bottom of the dialog box.

Customers with disabilities can get help by visiting www.hp.com/hpinfo/community/accessibility/prodserv/ (English only).

HP Scanjet Web site

Visit www.hp.com and select your country/language at the top of the page. On the country page, select scanners from the list of products. Use this site for a variety of information:

- Find solutions to technical issues.
- Learn tips for scanning more effectively and creatively.
- Update your HP drivers and software.
- Register your product.
- Subscribe to newsletters, driver and software updates, and support alerts.
- Purchase HP supplies and accessories.

Getting assistance

In order to get the best from your HP product, please consult the following standard HP support offerings:

1. Please consult the product documentation that came with the product.
 - Review the troubleshooting section or electronic Help of this manual/CD.
 - Review the electronic Help section within the software.
2. Visit the **HP online support** at **www.hp.com/support** or contact your point of purchase.

HP online support is available to all HP customers. It is the fastest source for up-to-date product information and expert assistance, including the following features:

 - Fast E-mail access to qualified online support specialists
 - Software and driver updates for your product
 - Valuable product and troubleshooting information for technical issues
 - Proactive product updates, support alerts, and HP newsletters (available when you register your product)
3. **HP support by phone**
 - Support options and fees vary by product, country and language.
 - Fees and policies are subject to change without notice. Please check the Web site **www.hp.com/support** for the latest information.
4. **Post-warranty period**

After the limited warranty period, help is available online at **www.hp.com/support**.
5. **Extending or upgrading your warranty**

If you would like to extend or upgrade the product's warranty, please contact your point of purchase or check the HP Care Pack Services at **www.hp.com/support**.
6. If you already purchased an **HP Care Pack Service**, please check the support conditions in your contract.

6 Hewlett-Packard limited warranty statement

The following information outlines the warranty information for this product.

Product	Duration of limited warranty
HP Scanjet G4000 series scanner	1 year

A. Extent of limited warranty

1. Hewlett-Packard (HP) warrants to the end-user customer (Customer) that each HP product specified above (Product) shall be free from defects in material and workmanship for the period specified above. The warranty period begins on the date of purchase by Customer.
2. For each software product, HP's limited warranty applies only to a failure to execute programming instructions. HP does not warrant that the operation of any Product will be uninterrupted or error free.
3. HP's limited warranty covers only those defects that arise as a result of normal use of a Product, and does not cover any other problems, including those that arise as a result of:
 - a. Improper use, maintenance, storage, handling, or modification;
 - b. Software, media, parts, accessories, supplies, or power adapters or sources not provided or supported by HP; or,
 - c. Operation or other conditions outside a Product's specifications.
4. If HP receives, during the applicable warranty period, notice of a defect in a Product, HP shall at its option either replace or repair the defective Product.
5. If HP cannot replace or repair a defective Product that is covered by HP's limited warranty, HP may, within a reasonable time after being notified of the defect, provide either another product similar in performance or a refund of the purchase price prorated based on usage and other appropriate factors.
6. HP shall have no obligation to replace, repair, or refund until Customer returns the defective Product to HP and provides a valid proof of purchase.
7. Any replacement product may be either new or like-new, provided it has functionality at least equal to that of the Product being replaced.
8. A Product may contain remanufactured parts, components, or materials equivalent to new in performance.
9. HP's limited warranty is valid in any country or locality where HP has a support presence for the Product and has marketed the Product. The level of warranty service may vary according to local standards. Upgraded warranty services, such as next day exchange, on-site service, and accident protection, may be purchased from HP.

B. Limitations of Warranty

TO THE EXTENT ALLOWED BY LOCAL LAW, NEITHER HP NOR ITS THIRD PARTY SUPPLIERS MAKE ANY OTHER WARRANTY OR CONDITION OF ANY

KIND, WHETHER EXPRESS OR IMPLIED, WITH RESPECT TO A PRODUCT, AND SPECIFICALLY DISCLAIM THE IMPLIED WARRANTIES OR CONDITIONS OF MERCHANTABILITY, SATISFACTORY QUALITY, AND FITNESS FOR A PARTICULAR PURPOSE.

C. Limitations of Liability

1. To the extent allowed by local law, the remedies provided in this Limited Warranty Statement (LWS) are Customer's sole and exclusive remedies.
2. TO THE EXTENT ALLOWED BY LOCAL LAW, EXCEPT FOR THE OBLIGATIONS SPECIFICALLY SET FORTH IN THIS LWS, IN NO EVENT SHALL HP OR ITS THIRD PARTY SUPPLIERS BE LIABLE FOR DIRECT, INDIRECT, SPECIAL, INCIDENTAL, OR CONSEQUENTIAL DAMAGES, WHETHER BASED ON CONTRACT, TORT, OR ANY OTHER LEGAL THEORY AND WHETHER ADVISED OF THE POSSIBILITY OF SUCH DAMAGES.

D. Local Law

1. This LWS gives Customer specific legal rights. Customer may also have other rights that vary from state to state in the United States, from province to province in Canada, and from country to country elsewhere in the world.
2. To the extent this LWS is inconsistent with local law, this LWS shall be deemed modified to be consistent with local law. Under local law, certain disclaimers and limitations of this LWS may not apply to Customer. For example, the federal government of the United States, some states in the United States, and some governments outside the United States (including provinces in Canada), may:
 - a. Grant Customer additional warranty rights;
 - b. Preclude the disclaimers and limitations in this LWS from limiting the statutory rights of a consumer (e.g., the United Kingdom);
 - c. Otherwise restrict the ability of a manufacturer to enforce such disclaimers or limitations;
 - d. Specify the duration of implied warranties that the manufacturer cannot disclaim; or,
 - e. Disallow limitations on the duration of implied warranties
3. Customer may have additional statutory rights based on its purchase agreement. Those rights are not in any way affected by this LWS.
4. For consumer transactions in the United States, any implied warranties imposed by law are limited in duration to the express warranty period.
5. FOR CONSUMER TRANSACTIONS IN AUSTRALIA AND NEW ZEALAND, THE TERMS IN THIS LWS, EXCEPT TO THE EXTENT LAWFULLY PERMITTED, DO NOT EXCLUDE, RESTRICT, OR MODIFY, AND ARE IN ADDITION TO, THE MANDATORY STATUTORY RIGHTS APPLICABLE TO THE SALE OF A PRODUCT TO SUCH CUSTOMERS.

You may have additional statutory rights against the seller based on your purchase agreement. Those rights are not in any way affected by this HP Limited Warranty.

You will find on the inside front cover of this book the names and address of the HP entity responsible for the performance of the HP Limited Warranty in your country.

Panduan Pengaturan dan Dukungan

Bahasa
Indonesia



Hak cipta dan lisensi

© 2006 Hak cipta Hewlett-Packard Development Company, L.P.

Dilarang mereproduksi, mengadaptasi atau menerjemahkan tanpa izin tertulis terlebih dahulu, kecuali seperti yang diperbolehkan di bawah undang-undang hak cipta.

Informasi yang dimuat dalam dokumen ini dapat berubah tanpa pemberitahuan.

Satu-satunya jaminan untuk produk dan layanan HP tercantum pada pernyataan jaminan yang menyertai produk dan layanan tersebut. Tidak ada ketentuan apa pun dalam dokumen ini yang dapat dianggap sebagai jaminan tambahan. HP tidak bertanggung jawab atas kesalahan atau kelalaian teknis atau redaksional dalam dokumen ini.

Pernyataan Merek Dagang

Microsoft dan Windows adalah merek dagang terdaftar dari Microsoft Corporation.

Isi

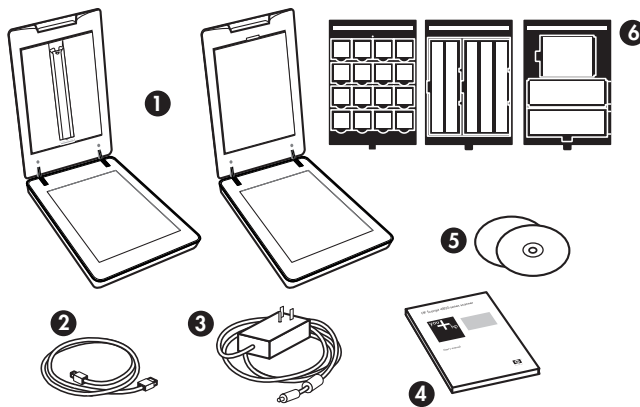
1	Persiapan awal	4
	Langkah 1. Periksa isi kemasan.	4
	Langkah 2. Instal perangkat lunak	5
	Langkah 3. Hubungkan kabel TMA	5
	Langkah 4. Hubungkan catu daya	6
	Langkah 5. Hubungkan kabel USB	6
	Langkah 6. Uji instalasi	8
2	Cara menggunakan pemindai	9
	Ke mana mendapatkan informasi tambahan	9
	Perangkat lunak HP Photosmart Windows	9
	Perangkat lunak HP Photosmart Macintosh	10
	Tinjauan umum panel depan dan aksesoris	10
	Tombol-tombol panel depan	10
	Transparent materials adapter (TMA)	11
3	Pemecahan masalah instalasi pemindai	12
	Copot-instal dan menginstal ulang perangkat lunak	12
	Memeriksa kabel	13
4	Informasi kepengaturan dan spesifikasi produk	14
	Spesifikasi pemindai	14
	Spesifikasi transparent materials adapter [adaptor materi transparan], (TMA)	15
	Spesifikasi lingkungan	15
	Informasi mengenai daur ulang dan pemakaian bahan produk yang terbatas	15
	Pembuangan Peralatan Limbah oleh Pengguna di Rumah Pribadi di Uni Eropa	16
5	Dukungan produk	17
	Aksesibilitas	17
	Situs Web HP Scanjet	17
	Memperoleh bimbingan	18
6	Keterangan jaminan terbatas Hewlett-Packard	19

1 Persiapan awal

Ikutilah langkah berikut ini untuk mengatur pemindai:

Langkah 1. Periksa isi kemasan.

Keluarkan perangkat keras pemindai. Pastikan Anda melepaskan semua pita rekat kemasan pengiriman.

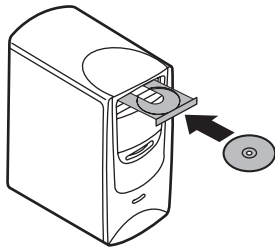


1	Pemindai HP Scanjet G4010 atau G4050
2	Kabel USB
3	Catu daya
4	Panduan Pengaturan dan Dukungan (buku ini)
5	CD perangkat lunak pemindaian
6	Template TMA (hanya HP Scanjet G4050)

Langkah 2. Instal perangkat lunak

- ⚠ **Perhatian** Jika Anda menginstal perangkat lunak pada komputer Windows, jangan menghubungkan dulu kabel USB ke komputer. Instal perangkat lunak pemindaian sebelum menghubungkan kabel USB. Jika Anda menginstal perangkat lunak pada komputer Macintosh, Anda dapat menghubungkan kabel USB, baik sebelum atau sesudah menginstal perangkat lunak.

1. Masukkan HP Smart Document Scan Solution CD yang disertakan dengan pemindai ke dalam drive CD komputer.



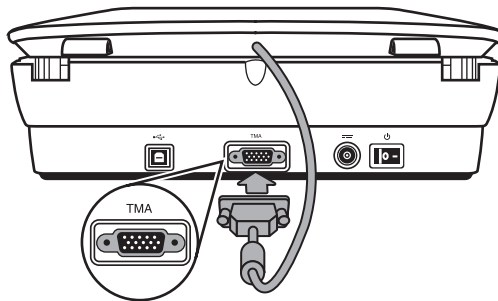
Untuk instalasi Windows : Tunggu sampai kotak dialog instalasi ditampilkan. Jika kotak dialog instalasi tidak ditampilkan setelah beberapa saat, lihat *Pemecahan masalah instalasi pemindai* pada halaman 12

Untuk penginstalan pada Macintosh : Klik dua kali ikon CD yang muncul pada desktop, kemudian klik dua kali ikon HP Scanjet Scanner Install untuk memulai penginstalan.

2. Klik **Install software** [instal perangkat lunak] untuk menginstal perangkat lunak pemindaian. Ikuti petunjuk pada layar untuk menyelesaikan instalasi perangkat lunak pemindaian.

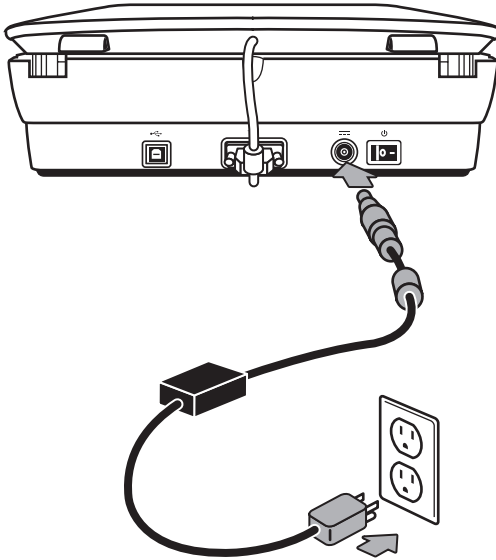
Langkah 3. Hubungkan kabel TMA

- Hubungkan kabel TMA dari sungkup alas pemindai.



Langkah 4. Hubungkan catu daya

Catu daya dilengkapi kabel pasangan yang dicolokkan ke bagian belakang pemindai.



Catu daya ini pun dilengkapi kabel AC yang satu ujungnya dihubungkan ke catu daya dan ujung satunya lagi dicolokkan ke stopkontak listrik atau pelindung arus lonjakan.

1. Colokkan kabel AC ke bagian belakang catu daya.
2. Colokkan satu ujung kabel AC ke dalam stopkontak listrik atau pelindung lonjakan arus.

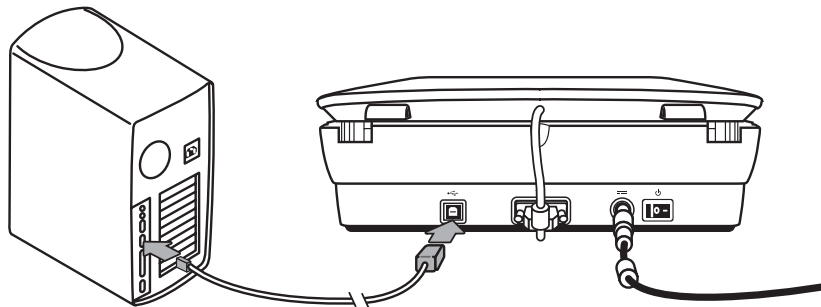
Langkah 5. Hubungkan kabel USB



Perhatian Jika Anda menginstal di lingkungan Windows, pastikan Anda menginstal perangkat lunak HP Photosmart sebelum menghubungkan pemindai ke komputer dengan kabel USB. Lihat *Langkah 2. Instal perangkat lunak* pada halaman 5. Jika Anda menginstal di lingkungan Macintosh, Anda dapat menghubungkan kabel USB, baik sebelum atau sesudah menginstal perangkat lunak.

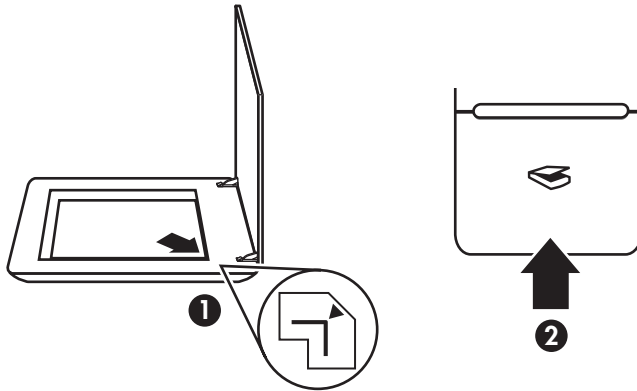
Gunakan kabel USB yang disertakan dengan pemindai untuk menghubungkan pemindai ke komputer.

1. Hubungkan ujung kabel yang berbentuk segi empat ke pemindai.



2. Hubungkan ujung kabel yang berbentuk persegi panjang ke komputer.

Langkah 6. Uji instalasi



1. Taruh foto atau dokumen pada kaca pemindai seperti yang ditunjukkan tanda pada pemindai.
2. Tekan tombol **Pindai** (↵). Jika Anda memindai dengan menggunakan perangkat lunak Windows, kotak dialog **What are you scanning?** [Apa yang Anda pindai?], muncul. Ikuti petunjuk pada layar untuk menyelesaikan pindaian.

Jika Anda memindai dengan menggunakan perangkat lunak Macintosh, aplikasi HP Scan Pro akan terbuka dan pratinjau pindaian akan ditampilkan. Apabila pratinjau diterima, gambar yang dipindai dikirim ke tujuannya yang sudah dipilih dalam pengaturan pemindai.

Jika kotak dialog **What are you scanning?** [Apa yang Anda pindai?] atau jendela HP Scan Pro tidak muncul, lihat *Pemecahan masalah instalasi pemindai* pada halaman 12.

2 Cara menggunakan pemindai

Bagian ini menyampaikan tinjauan umum pemindai dan cara menggunakannya.

Ke mana mendapatkan informasi tambahan

Informasi lebih lanjut tentang pemindai dan perangkat lunak dapat ditemukan dalam file Help [Bantuan]. Jika Anda telah menginstal perangkat lunak HP Photosmart yang disertakan dengan pemindai, klik dua kali ikon **HP Solution Center [Pusat Solusi HP]** pada desktop Anda, kemudian klik **Help and Support [Bantuan dan Dukungan]**. Di bawah bagian **Documentation [Dokumentasi]**, klik **Product Help [Bantuan Produk]**.

Untuk mengakses panduan pengguna pemindai versi online, klik **Start [Mulai]**, tujukan ke **Programs [Program]** atau **All Programs [Semua Program]**, tujukan ke **HP, Scanjet, G4000 series**, kemudian **Panduan Pengguna**.

Pengguna Macintosh: Untuk informasi mengenai prosedur pemindaian, buka **HP Device Manager**, kemudian klik pada tanda tanya di bawah kotak dialog.

Perangkat lunak HP Photosmart Windows

Apabila Anda menginstal HP Photosmart Windows software, ada dua ikon yang ditambahkan ke desktop Anda. Kedua ikon ini membuka dua program untuk memindai dan mengedit pindaian Anda.

Untuk informasi tentang cara menggunakan **HP Solution Center [Pusat Solusi HP]** dan perangkat lunak **HP Photosmart**, lihat file Help [Bantuan] pemindai. Klik dua kali ikon **HP Solution Center [Pusat Solusi HP]** pada desktop Anda, kemudian klik **Help and Support [Bantuan dan Dukungan]**. Di bawah bagian **Documentation [Dokumentasi]**, klik **Product Help [Bantuan Produk]**.



HP Solution Center [Pusat Solusi HP] adalah program yang Anda gunakan untuk mulai memindai gambar dan dokumen. Gunakan HP Solution Center [Pusat Solusi HP] untuk mengerjakan semua yang berikut ini:

- Melakukan fungsi pemindaian dan fungsi salin
- Mengakses bantuan dan informasi tentang pemecahan masalah
- Mengakses perangkat lunak HP Photosmart untuk mengedit pindaian Anda
- Memodifikasi pengaturan dan preferensi



Perangkat lunak HP Photosmart adalah program yang digunakan untuk memanipulasi, mencetak, mengarsipkan dan berbagi gambar Anda setelah gambar dipindai. Anda dapat menuju ke perangkat lunak HP Photosmart dari ikon desktop atau melalui HP Solution Center [Pusat Solusi HP].

Untuk mulai memindai:

Klik dua kali ikon **HP Solution Center [Pusat Solusi HP]** pada desktop, klik tab untuk pemindai, kemudian klik pada tugas yang ingin Anda kerjakan.



Catatan Jika ikon **HP Solution Center** tidak tersedia pada desktop, klik **Start**, arahkan ke **Programs** atau **All Programs**, arahkan ke **HP**, kemudian klik **HP Solution Center**.

Perangkat lunak HP Photosmart Macintosh

Apabila Anda menginstal perangkat lunak pemindaian HP pada Macintosh, ada dua program perangkat lunak yang tersedia dalam Dock: HP Device Manager dan HP Photosmart Studio. Kedua program ini digunakan untuk memindai dan mengedit pindaian Anda.



HP Device Manager adalah program yang Anda gunakan untuk mulai memindai gambar dan dokumen. Gunakan Device Manager untuk melakukan semua hal berikut ini:

- Melakukan fungsi pemindaian dan fungsi salin
- Mengakses bantuan dan informasi tentang pemecahan masalah
- Mengakses HP Photosmart Studio untuk mengedit pindaian Anda
- Memodifikasi pengaturan dan preferensi





HP Photosmart Studio adalah program yang digunakan untuk memanipulasi, mencetak, mengarsipkan dan berbagi gambar Anda setelah gambar dipindai. Anda dapat membuka HP Photosmart Studio dari Dock, atau dari menu **Applications [Aplikasi]** HP Device Manager.



Tinjauan umum panel depan dan aksesoris

Bagian ini menyampaikan tinjauan umum panel depan pemindai dan transparent materials adapter [adaptor materi transparan] (TMA).

Tombol-tombol panel depan

Ikon	Nama fitur	Keterangan
	Tombol Scan [Pindai]	Memindai gambar, grafik, dokumen atau objek.
	Tombol Scan Film [Pindai Film]	Memindai positif transparansi (seperti slide 35 mm) dan negatif. Apabila memindai film, Anda harus menggunakan transparent materials adapter (TMA) yang terletak di balik sungkup pemindai.

(bersambung)

Ikon	Nama fitur	Keterangan
	Tombol Copy [Salin]	Memindai item dan mengirimkannya ke printer untuk membuat salinan.
	Tombol Scan to PDF [Pindai ke PDF]	Memindai satu atau beberapa halaman dan menyimpannya sebagai file PDF untuk berbagi atau untuk disimpan.



Catatan Untuk informasi lebih lanjut mengenai tindakan default [standar] dari tombol-tombol ini dalam lingkungan Macintosh, buka **HP Device Manager**, kemudian klik tanda tanya di bagian bawah kotak dialog.

Transparent materials adapter (TMA)

Anda dapat menggunakan transparent materials adapter (TMA) untuk memindai slide atau negative 35 mm. Dengan TMA HP Scanjet G4050 Anda juga dapat memindai film format sedang dan besar. Untuk informasi lebih lanjut tentang TMA, lihat panduan pengguna pemindai. Untuk informasi tentang cara menemukan panduan pengguna, lihat *Ke mana mendapatkan informasi tambahan* pada halaman 9.

3 Pemecahan masalah instalasi pemindai

Bagian ini memuat solusi untuk masalah penginstalasian dan pengaturan.

Copot-instal dan menginstal ulang perangkat lunak

Instalasi perangkat lunak yang tidak tuntas bisa menyebabkan pemindai tidak dapat dikenali atau perangkat lunak tersebut tidak dapat diluncurkan dengan benar. Coba mencopot-instal kemudian menginstal ulang perangkat lunak HP Scanning [Pemindaian HP]. Untuk menginstal ulang perangkat lunak HP Scanning, Anda harus memiliki CD perangkat lunak HP Photosmart.

Lingkungan Windows:

1. Klik **Start [Mulai]**, klik **Settings [Pengaturan]**, kemudian klik **Control Panel [Panel Kontrol]** (pada Windows XP, klik **Start [Mulai]**, kemudian klik **Control Panel [Panel Kontrol]**).
2. Klik **Add/Remove Programs [Tambah/Hapus Program]** (pada Windows XP, ini disebut **Add or Remove Programs**) kemudian pilih **HP Scanjet G4000 series**.
3. Klik **Remove [Hapus]**.
4. Klik **Add/Remove Programs [Tambah/Hapus Program]** (pada Windows XP, ini disebut **Add or Remove Programs [Tambah atau Hapus Program]**) kemudian pilih perangkat lunak **HP Photosmart**.
5. Klik **Remove [Hapus]**.
6. Cabut kabel USB pemindai dari komputer.
7. Instal ulang perangkat lunak dengan menggunakan CD perangkat lunak HP Photosmart yang disertakan dengan pemindai Anda. Apabila Anda memasukkan CD, antarmuka penginstalasian secara otomatis diluncurkan. Pilih perangkat lunak **HP Photosmart** yang akan diinstal.
8. Hubungkan kembali kabel USB pemindai setelah perangkat lunak diinstal. Untuk informasi lebih lanjut, lihat *Langkah 5. Hubungkan kabel USB* pada halaman 6

Lingkungan Macintosh:

1. Ke **Applications/Hewlett-Packard** dan buka **HP Uninstaller**.



Catatan Anda harus memiliki hak istimewa administratif agar dapat menginstal perangkat lunak.

2. Apabila diperintahkan, ketik nama pengguna dan sandi Anda. Jendela **HP Uninstaller** terbuka dan menampilkan produk yang tersedia untuk dicopot-instal.
3. Pilih produk G4000 series dan klik **Next [Berikutnya]**.
4. Ikuti petunjuk pada layar untuk menyelesaikan proses copot-instal.
5. Instal ulang perangkat lunak dengan menggunakan CD perangkat lunak HP yang disertakan dengan pemindai Anda. Setelah memasukkan CD, klik ikon CD yang muncul di desktop Anda untuk mulai menginstal.

Memeriksa kabel

Jenis kabel	Tindakan
Kabel listrik	<p>Kabel listrik dihubungkan antara pemindai dan stopkontak listrik.</p> <ul style="list-style-type: none">• Pastikan kabel listrik terhubung kencang di antara pemindai dan stopkontak listrik yang dialiri arus listrik atau pelindung lonjakan arus.• Jika kabel listrik dihubungkan ke pelindung lonjakan arus, pastikan bahwa pelindung lonjakan arus dicolokkan ke dalam stopkontak dan dihidupkan.• Matikan saklar daya pemindai dan matikan juga komputer. Setelah 60 detik, hidupkan kembali pemindai kemudian hidupkan komputer dalam urutan seperti itu.
Kabel USB	<p>Kabel USB dihubungkan di antara pemindai dan komputer.</p> <ul style="list-style-type: none">• Gunakan kabel yang disertakan dengan pemindai. Mungkin, ada kabel USB lain yang tidak kompatibel dengan pemindai.• Pastikan, bahwa kabel USB terhubung secara kokoh di antara pemindai dan komputer.• Jika kabel USB dihubungkan ke port USB di bagian depan komputer, pindahkan ke port USB di bagian belakang komputer. <p>Untuk informasi tambahan mengenai pemecahan masalah USB, lihat www.hp.com/support, pilih negara/kawasan Anda kemudian gunakan alat bantu pencarian untuk menemukan topik tentang pemecahan masalah USB.</p>
Kabel TMA	<p>Kabel TMA terhubung antara TMA dalam sungkup pemindai dan alas pemindai.</p> <p>Pastikan kabel terhubung secara kokoh di bagian belakang pemindai.</p>

4 Informasi kepengaturan dan spesifikasi produk

Bagian ini memuat informasi kepengaturan dan spesifikasi Pemindai Foto HP Scanjet G4000 series dan aksesorinya.

Spesifikasi pemindai

Nama	Keterangan
Jenis pemindai	Alas rata dengan transparent materials adapter [adaptor materi transparan](TMA)
Ukuran	G4010: 303 mm x 5088 mm x 98 mm (11,93 x 20,00 x 3,86 inci) G4050: 303 mm x 5088 mm x 108 mm (11,93 x 20,00 x 4,25 inci)
Berat	G4010: 4,4 kg (9,6 lb) G4050: 5,3 kg (11,6 lb)
Elemen pemindaian	Perangkat charged-coupled
Antarmuka	USB 2.0 Hi-Speed [Kecepatan tinggi]
Resolusi perangkat keras	Resolusi perangkat keras 4800 x 9600 dpi
Resolusi pilihan	12 dpi hingga dpi perbesaran 999.999 pada penskalaan 100 persen
Voltase aliran AC	100-120 V 60 Hz – Amerika Utara 200-240 V 50 Hz – Benua Eropa, Kerajaan Inggris, Australia 100-240 V 50 Hz/60 Hz – Di negara/kawasan lainnya di dunia
Informasi Pengaturan	Nomor identifikasi model pengaturan: Untuk identifikasi pengaturan, produk Anda diberi Regulatory Model Number [Nomor Model Pengaturan]. Regulatory Model Number untuk produk Anda adalah FCLSD-0605. Nomor pengaturan ini jangan dikacaukan dengan nama produk (HP Scanjet G4010) atau nomor produk (L1956A and L1957A).
	Pemakaian energi menurun secara signifikan sewaktu berada dalam modus ENERGY STAR®, yang menghemat sumber daya alam dan uang Anda tanpa mempengaruhi performa produk ini. Produk ini memenuhi syarat ENERGY STAR (MOU v. 1.0), yang merupakan program sukarela yang diluncurkan

Nama	Keterangan
	<p>untuk mendorong pengembangan produk kantor energi-efisien.</p> <p>ENERGY STAR adalah merek layanan terdaftar A.S. dari EPA Amerika Serikat. Sebagai mitra ENERGY STAR, HP telah menetapkan, bahwa produk ini memenuhi panduan ENERGY STAR mengenai efisiensi energi. Untuk informasi lebih lanjut mengenai panduan ENERGY STAR, kunjungilah situs web berikut ini: www.energystar.gov</p>

Spesifikasi transparent materials adapter [adaptor materi transparan], (TMA)

Nama	Keterangan
Jenis media	<p>G4010: Hingga lima bingkai slide 35 mm atau enam bingkai negatif 35 mm</p> <p>G4050: Hingga 35 bingkai slide 35 mm, tiga puluh bingkai negatif 35 mm, hingga dua bingkai film format sedang (rol film 120), atau satu bingkai film format besar (rol film 220).</p>
Daya yang dibutuhkan	12 Volt/400 mA max
Pemakaian listrik dan informasi kepengaturan	Untuk mendapatkan data pemakaian listrik, informasi tentang catu daya dan informasi kepengaturan, lihat file <code>regulatory_supplement.htm</code> pada CD perangkat lunak HP Photosmart.

Spesifikasi lingkungan

Nama	Keterangan
Suhu	Mengoperasikan pemindai dan TMA: 10° s.d 35°C (50° s.d 95°F)
	Penyimpanan: -40° s.d 60°C (-40° s.d 140°F)
Kelembaban relatif	Mengoperasikan pemindai dan TMA: 15% s.d 80% non-kondensasi 10° s.d 35°C (50° s.d 95°F)
	Penyimpanan: hingga 90% non-kondensasi pada suhu 0° s.d.60°C (32° s.d.140°F)

Informasi mengenai daur ulang dan pemakaian bahan produk yang terbatas

Mendaur ulang

HP menawarkan program pengembalian produk dan daur ulang yang jumlahnya semakin bertambah di banyak negara/kawasan, dan bermitra dengan beberapa pusat daur ulang elektronik terbesar di seluruh dunia. HP melestarikan sumber daya dengan menjual kembali sejumlah produknya yang paling populer. Untuk informasi lebih lanjut mengenai daur ulang produk HP, silakan mengunjungi: www.hp.com/hpinfo/globalcitizenship/environment/recycle/

Bahan produk terbatas

Produk HP ini mengandung bahan berikut ini yang harus ditangani secara khusus apabila produk ini sudah habis masa pakainya: Bahan merkuri dalam lampu pijar pemindai dan pada adaptor materi transparan (< 5 mg).

Untuk informasi daur ulang, hubungi www.hp.com/go/recycle, pihak berwenang di tempat Anda atau Electronic Industries Alliance di www.eiae.org.

Pembuangan Peralatan Limbah oleh Pengguna di Rumah Pribadi di Uni Eropa



Simbol ini pada produk atau pada kemasannya menunjukkan, bahwa produk ini tidak boleh dibuang dengan limbah rumah-tangga lainnya. Alih-alih, Anda lah yang bertanggung jawab untuk membuang peralatan limbah Anda dengan menyerahkannya ke pusat pengumpulan limbah yang ditunjuk untuk mendaur ulang peralatan listrik dan elektronik limbah. Pemisahan pengumpulan dan pendaur-ulangan peralatan limbah Anda pada saat pembuangan akan membantu melestarikan sumber daya alam dan menjamin, bahwa limbah tersebut didaur-ulang dengan cara yang aman bagi kesehatan manusia dan lingkungan. Untuk informasi lebih lanjut mengenai tempat di mana Anda dapat membuang peralatan limbah untuk pendaur-ulangan, silakan menghubungi kantor dinas kota di tempat Anda, layanan pembuangan limbah rumah-tangga atau toko tempat Anda membeli produk.

5 Dukungan produk

Bagian ini menguraikan berbagai opsi untuk dukungan produk.

Aksesibilitas

Opsi aksesibilitas berikut tersedia pada pemindai ini:

Lingkungan Windows:

- Untuk mencegah agar tombol tidak sengaja ditekan, Anda dapat menggunakan Button Disable Utility [Kegunaan Pelumpuhan Tombol] untuk menonaktifkan tombol. Anda dapat menggunakan kegunaan yang sama untuk mengaktifkan kembali tombol.
Untuk informasi lebih lanjut mengenai Button Disable Utility [Kegunaan Pelumpuhan Tombol], lihat Panduan Pengguna pemindai.
- Panduan Pengguna pemindai juga tersedia dalam format Help [Bantuan] yang dapat dibaca oleh sebagian besar alat pembaca layar. Untuk menemukan ini, klik dua kali ikon **HP Solution Center** [Pusat Solusi HP] pada desktop Anda, kemudian klik **Help and Support** [Bantuan dan Dukungan]. Di bawah bagian **Documentation** [Dokumentasi], klik **Product Help** [Bantuan Produk].

Lingkungan Macintosh:

- Untuk mencegah agar tombol tidak sengaja ditekan, gunakanlah Button Disable Utility [Kegunaan Pelumpuhan Tombol] untuk menonaktifkan tombol. Anda dapat menggunakan kegunaan yang sama untuk mengaktifkan kembali tombol.
Untuk informasi lebih lanjut mengenai Button Disable Utility [Kegunaan Pelumpuhan Tombol], lihat HP Scanjet Scanner Help [Bantuan Pemindai HP Scanjet].
- HP Scanjet Scanner Help [Bantuan Pemindai HP Scanjet] tersedia dalam format yang dapat dibaca oleh sebagian besar alat pembaca layar. Untuk menemukan file ini, buka **HP Device Manager**, kemudian klik pada tanda tanya di bawah kotak dialog.

Pelanggan yang tidak mampu dapat memperoleh bantuan dengan mengunjungi www.hp.com/hpinfo/community/accessibility/prodserv/ (hanya bhs Inggris).

Situs Web HP Scanjet

Kunjungi www.hp.com dan pilih negara/kawasan Anda pada bagian atas halaman. Pada halaman negara/kawasan, pilih pemindai dari daftar produk. Gunakan situs ini untuk mendapatkan beragam informasi:

- Menemukan solusi atas masalah teknis.
- Mempelajari berbagai saran untuk memindai dengan cara yang lebih efektif dan kreatif.
- Memperbarui driver dan perangkat lunak HP Anda.
- Daftarkan produk Anda.

- Berlangganan newsletters, pembaruan driver dan perangkat lunak, dan petanda dukungan.
- Membeli persediaan dan aksesori HP.

Memperoleh bimbingan

Demi mendapatkan yang terbaik dari produk HP Anda, silakan memeriksa penawaran dukungan HP standar berikut ini:

1. Silakan menyimak dokumentasi produk yang disertakan bersama produk.
 - Meninjau ulang bagian pemecahan masalah atau Help [Bantuan] elektronik dari buku petunjuk ini/CD.
 - Meninjau ulang bagian Help [Bantuan] elektronik dalam perangkat lunak.
2. Kunjungi **dukungan online HP** di **www.hp.com/support** atau hubungi toko di tempat Anda membeli.

Dukungan online HP tersedia bagi semua pelanggan HP. Ini adalah sumber tercepat untuk mendapatkan informasi produk yang terkini dan bantuan tenaga ahli, termasuk sejumlah fitur berikut:

- Akses E-mail cepat ke bagian spesialis dukungan online yang memenuhi syarat
 - Pembaruan perangkat lunak dan driver untuk produk Anda
 - Informasi yang berharga tentang produk dan pemecahan masalah untuk masalah teknis
 - Pembaruan produk proaktif, petanda dukungan, dan HP newsletters (tersedia apabila mendaftarkan produk Anda)
3. **Dukungan HP melalui telepon**
 - Opsi dukungan dan biaya beragam menurut produk, negara/kawasan dan bahasa.
 - Biaya dan kebijakan dapat berubah tanpa pemberitahuan. Silakan cek situs Web **www.hp.com/support** untuk mendapatkan informasi terbaru.
 4. **Periode pasca-jaminan**

Setelah masa jaminan habis, tersedia bantuan online di **www.hp.com/support**.
 5. **Memperpanjang atau meningkatkan jaminan Anda**

Jika Anda ingin memperpanjang atau meningkatkan jaminan produk, silakan menghubungi toko di tempat Anda membeli, atau cek HP Care Pack Services di **www.hp.com/support**.
 6. Jika Anda sudah membeli **HP Care Pack Service**, silakan cek ketentuan dukungan dalam kontrak Anda.

6 Keterangan jaminan terbatas Hewlett-Packard

Informasi berikut ini menjelaskan tentang jaminan untuk produk ini.

Jangka waktu	jaminan terbatas produk
HP Scanjet G4000 series	1 tahun

A. Cakupan jaminan terbatas

1. Hewlett-Packard (HP) memberi jaminan kepada pelanggan pengguna akhir (Pelanggan), bahwa setiap produk HP yang diuraikan di atas (Produk) akan bebas dari kerusakan materi dan pengerjaan selama jangka yang dijelaskan di atas. Jangka waktu jaminan dimulai pada tanggal pembelian yang dilakukan oleh Pelanggan.
2. Untuk setiap produk perangkat lunak, jaminan terbatas HP hanya berlaku untuk kegagalan menjalankan petunjuk pemrograman. HP tidak menjamin, bahwa pengoperasian Produk apa pun akan bebas gangguan atau kesalahan.
3. Jaminan terbatas HP hanya mencakup kecacatan yang muncul akibat penggunaan Produk yang normal dan tidak mencakup masalah lain apa pun, termasuk masalah yang timbul akibat:
 - a. Penggunaan, pemeliharaan, penyimpanan, penanganan yang tidak layak, atau modifikasi;
 - b. Perangkat lunak, media, suku cadang, aksesori, persediaan, atau adaptor daya atau sumber yang tidak disediakan atau didukung oleh HP; atau
 - c. Pengoperasian atau kondisi lain di luar spesifikasi Produk.
4. Jika HP menerima pemberitahuan atas kerusakan selama masa jaminan yang berlaku, maka atas opsinya, HP akan mengganti atau memperbaiki Produk yang rusak tersebut.
5. Jika HP tidak dapat mengganti atau memperbaiki Produk rusak yang tercakup jaminan terbatas HP, dalam waktu yang wajar setelah menyampaikan pemberitahuan tentang produk rusak, HP dapat menyediakan produk lain yang kinerjanya sama atau mengganti uang pembelian secara pro-rata berdasarkan lama penggunaan produk dan faktor lain yang wajar.
6. HP tidak berkewajiban untuk mengganti, memperbaiki atau mengganti uang pembelian sampai Pelanggan mengembalikan Produk yang rusak kepada HP dan menyertakan bukti pembelian yang sah.
7. Produk pengganti apa pun dapat berupa produk baru atau seperti baru, asalkan memiliki performa yang setara dengan Produk yang digantikan.

8. Produk dapat berisi suku cadang, komponen atau materi yang difabrikasi ulang yang performanya sama seperti baru.
9. Jaminan terbatas HP berlaku di negara/kawasan atau lokasi di mana terdapat dukungan HP untuk Produk ini dan di mana HP telah memasarkan Produk ini. Tingkat layanan jaminan yang Anda terima mungkin berbeda, tergantung pada standar setempat. Peningkatan layanan jaminan, seperti penukaran di hari kerja berikutnya, layanan di tempat, dan perlindungan terhadap kecelakaan, dapat dibeli dari HP.

B. Batasan Jaminan

SEJAUH DIIZINKAN OLEH HUKUM SETEMPAT, BAIK HP MAUPUN PARA PEMASOKNYA, PIHAK KETIGA, TIDAK MEMBUAT JAMINAN LAIN APA PUN ATAU KETENTUAN MACAM APA PUN, APAKAH TERSURAT ATAU TERSIRAT, YANG BERKENAAN DENGAN PRODUK, DAN HP SECARA SPESIFIK MENAFIKAN ADANYA JAMINAN ATAU KETENTUAN TERSIRAT MENGENAI KEMAMPUAN UNTUK DIPERDAGANGKAN (MERCHANTABILITY), KUALITAS YANG MEMUASKAN, SERTA KESESUAIAN UNTUK TUJUAN TERTENTU.

C. Batasan Tanggung Jawab

1. Sepanjang diizinkan oleh hukum setempat, ganti rugi yang disediakan dalam Limited Warranty Statement (LWS/Pernyataan Jaminan Terbatas) ini adalah satu-satunya ganti rugi yang eksklusif bagi Pelanggan.
2. SEPANJANG DIIZINKAN OLEH HUKUM SETEMPAT, KECUALI UNTUK KEWAJIBAN YANG SECARA SPESIFIK DIJELASKAN DALAM LWS INI, BAIK HP MAUPUN PARA PEMASOKNYA, PIHAK KETIGA, TIDAK DIKENAKAN TANGGUNG JAWAB ATAS KERUSAKAN LANGSUNG, TIDAK LANGSUNG, KHUSUS, INSIDENTAL, ATAU KONSEKUENSIAL, APAKAH BERDASARKAN KONTRAK, WANPRESTASI ATAU TEORI HUKUM LAINNYA DAN APAKAH TELAH DIBERITAHUKAN MENGENAI KEMUNGKINAN KERUSAKAN TERSEBUT.

D. Hukum Setempat

1. LWS ini memberi hak hukum tertentu kepada Pelanggan. Pelanggan dapat juga memiliki hak-hak lain yang berbeda dari negara bagian ke negara bagian di Amerika Serikat, dari provinsi ke provinsi di Kanada dan dari negara/kawasan ke negara/kawasan lainnya di dunia.
2. Sejauh LWS ini tidak konsisten dengan hukum setempat, LWS ini akan diubah agar konsisten dengan hukum setempat. Di bawah hukum setempat, hak penolakan dan pembatasan tertentu dari LWS ini mungkin tidak berlaku bagi Pelanggan. Contohnya, pemerintah federal Amerika Serikat, beberapa negara bagian di Amerika Serikat dan beberapa pemerintahan di luar Amerika Serikat (termasuk provinsi di Kanada), dapat:
 - a. Memberikan hak-hak jaminan tambahan kepada Pelanggan;
 - b. Mengecualikan hak penolakan dan pembatasan dalam LWS ini dari hak-hak hukum konsumen (misalnya, di Inggris);
 - c. Atau, membatasi kemampuan produsen untuk memberlakukan hak penolakan atau pembatasan tersebut;
 - d. Menentukan jangka waktu jaminan tersirat yang mana produsen tidak dapat menolak; atau
 - e. Melarang pembatasan pada jangka waktu jaminan tersirat
3. Pelanggan mungkin memiliki hak-hak hukum tambahan berdasarkan perjanjian pembeliannya. Bagaimanapun juga, hak-hak itu tidak mempengaruhi LWS ini.
4. Untuk transaksi konsumen di Amerika Serikat, jaminan tersirat apa pun yang diberlakukan secara hukum, jangka waktunya dibatasi sesuai masa jaminan yang tersurat.
5. UNTUK TRANSAKSI KONSUMEN DI AUSTRALIA DAN SELANDIA BARU, PERSYARATAN DALAM LWS INI, KECUALI SEJAUH YANG DIIZINKAN OLEH HUKUM, TIDAK MENYERTAKAN, MEMBATASI ATAU MENGUBAH DAN MERUPAKAN TAMBAHAN ATAS HAK-HAK HUKUM MANDATORI YANG BERLAKU ATAS PENJUALAN PRODUK KEPADA PELANGGAN TERSEBUT.

Anda mungkin memiliki hak hukum tambahan terhadap pihak penjual berdasarkan perjanjian pembelian Anda. Bagaimanapun juga, hak-hak itu tidak mempengaruhi Jaminan Terbatas HP ini.

Di bagian dalam sampul depan buku ini Anda akan menemukan nama-nama dan alamat dari badan usaha HP yang bertanggung jawab atas pelaksanaan Jaminan Terbatas HP di negara Anda.

Printed in China

© 2006 Hewlett-Packard Development Company, L.P.

www.hp.com

Dicetak di Cina



L1956-90013



Free Manuals Download Website

<http://myh66.com>

<http://usermanuals.us>

<http://www.somanuals.com>

<http://www.4manuals.cc>

<http://www.manual-lib.com>

<http://www.404manual.com>

<http://www.luxmanual.com>

<http://aubethermostatmanual.com>

Golf course search by state

<http://golfingnear.com>

Email search by domain

<http://emailbydomain.com>

Auto manuals search

<http://auto.somanuals.com>

TV manuals search

<http://tv.somanuals.com>