

HP ProLiant BL e-Class C-GbE Interconnect Switch User Guide



February 2003 (Second Edition)
Part Number 263682-002

© 2002, 2003 Hewlett-Packard Development Company, L.P.

Microsoft®, Windows®, and Windows NT® are U.S. registered trademarks of Microsoft Corporation.

Netscape Navigator is a U.S. trademark of Netscape Communications Corporation.

Hewlett-Packard Company shall not be liable for technical or editorial errors or omissions contained herein. The information in this document is provided "as is" without warranty of any kind and is subject to change without notice. The warranties for HP products are set forth in the express limited warranty statements accompanying such products. Nothing herein should be construed as constituting an additional warranty.

Confidential computer software. Valid license from HP required for possession, use or copying. Consistent with FAR 12.211 and 12.212, Commercial Computer Software, Computer Software Documentation, and Technical Data for Commercial Items are licensed to the U.S. Government under vendor's standard commercial license.

HP ProLiant BL e-Class C-GbE Interconnect Switch User Guide

February 2003 (Second Edition)

Part Number 263682-002

Contents

About This Guide

Technician Notes	vii
Where to Go for Additional Help	viii
Telephone Numbers	viii

Chapter 1

Introduction

Overview	1-1
Additional References	1-1
ProLiant BL e-Class C-GbE Interconnect Switch	1-2
Features	1-2
Enterprise Class Performance	1-2
Interconnect Switch Redundancy	1-3
Configuration and Management	1-3
Diagnostic Tools	1-4
Interconnect Switch Architecture	1-4
Integrated Administrator	1-5
Interconnect Switch Modules	1-5
Redundant Crosslinks	1-5
Redundant Paths to Server Blades	1-5
Supported Technologies	1-6
Layer 2 Switching	1-6
IEEE 802.1Q-Based Virtual Local Area Network	1-6
Spanning Tree Protocol	1-6
Simple Network Management Protocol and Remote Monitoring	1-7
Port Mirroring	1-7
Port Trunking and Load Balancing	1-7
Trivial File Transfer Protocol Support	1-7
Store and Forward Switching Scheme	1-7
IEEE 802.1p-Based Class of Service for Packet Prioritization	1-8
Internet Group Management Protocol Snooping	1-8
Dynamic Host Configuration Protocol or Bootstrap Protocol	1-8
Simple Network Time Protocol	1-9
User Account Management	1-9
External Components	1-9
External Panel	1-9
LED Indicators	1-10

Chapter 2

Setting up and Installing the Interconnect Switch

Overview	2-1
Installing Interconnect Switch Hardware	2-1
Installing a New Interconnect Tray in a New ProLiant BL e-Class Server Blade Enclosure	2-2
Replacing an Existing Interconnect Tray	2-4
Replacing a Patch Panel Tray	2-6
Planning the Interconnect Switch Configuration	2-8
Default Settings	2-8
Interconnect Switch Security	2-9
Manually Configuring a Switch Module	2-9
Configuring Multiple Switch Modules	2-10
Cabling the Interconnect Tray	2-10
Configuring the Integrated Administrator	2-13
Accessing the Switch Modules	2-14
Supporting Software and Special Considerations	2-16

Appendix A

Regulatory Compliance Notices

Class A Equipment	A-1
Modifications	A-1
Cables	A-1
Canadian Notice (Avis Canadien)	A-1
Class A Equipment	A-1
European Union Notice	A-2
BSMI Notice	A-2
Japanese Notice	A-2

Appendix B

Technical Specifications

Appendix C

Runtime Switching Software Default Settings

Default Settings	C-1
Port Names, VLANs, STP/By Pass, Trunking Default Settings	C-5

Appendix D

Spanning Tree Protocol

Introduction	D-1
Blocking State	D-1
Listening State	D-2
Learning State	D-4
Forwarding State	D-5
Disabled State	D-7
Troubleshooting STP	D-9
Spanning Tree Protocol Failure	D-9
Full/Half Duplex Mismatch	D-10
Unidirectional Link	D-11

Packet Corruption	D-12
Resource Errors.....	D-12
Identifying a Data Loop.....	D-12
Avoiding Trouble.....	D-13

Appendix E

SNMP/RMON MIBs Support

Introduction	E-1
SNMP Manager Software.....	E-1
Standard MIBs.....	E-2
Enterprise-Specific MIBs	E-2
SNMP Traps	E-3

Appendix F

Upgrading Firmware through the Serial Port

Appendix G

Port Trunking and Load Balancing in Blade Switches

Introduction	G-1
Load Balancing: Determining which Link to Send Traffic Across.....	G-1
Default Settings for Load Balancing	G-2
Configuring Load Balancing on Blade Switches	G-3
Hashing Algorithms for Load Balancing	G-4
Redundancy: What Happens When One Link in the Port Trunk Fails?.....	G-6
802.1Q Tagging/Trunking Supported on Port Trunks.....	G-6

Appendix H

XML Configuration

Introduction	H-1
User Account Information.....	H-1
Safe Mode.....	H-2
Interconnect Switch Replacement Scenario using a "Safe Mode" Configuration.....	H-2
Safe Mode Configuration File Templates	H-3
Safe Mode Configuration File Template Modification	H-3

Appendix I

Troubleshooting

Appendix J

RJ-45 Pin Specification

Index

About This Guide

This guide can be used for reference when servicing the HP ProLiant BL e-Class C-GbE Interconnect Switch.



WARNING: To reduce the risk of personal injury from electric shock and hazardous energy levels, only authorized service technicians should attempt to repair this equipment. Improper repairs can create conditions that are hazardous.

Technician Notes



WARNING: Only authorized technicians trained by HP should attempt to repair this equipment. All troubleshooting and repair procedures are detailed to allow only subassembly/module-level repair. Because of the complexity of the individual boards and subassemblies, no one should attempt to make repairs at the component level or to make modifications to any printed wiring board. Improper repairs can create a safety hazard.



WARNING: To reduce the risk of personal injury from electric shock and hazardous energy levels, do not exceed the level of repairs specified in these procedures. Because of the complexity of the individual boards and subassemblies, do not attempt to make repairs at the component level or to make modifications to any printed wiring board. Improper repairs can create conditions that are hazardous.



WARNING: To reduce the risk of electric shock or damage to the equipment:

- Disconnect power from the system by unplugging all power cords from the power supplies.
 - Do not disable the power cord grounding plug. The grounding plug is an important safety feature.
 - Plug the power cord into a grounded (earthed) electrical outlet that is easily accessible at all times.
-



CAUTION: To properly ventilate the system, you must provide at least 7.6 cm (3.0 in.) of clearance at the front and back of the server.



CAUTION: The computer is designed to be electrically grounded (earthed). To ensure proper operation, plug the AC power cord into a properly grounded AC outlet only.

NOTE: Any indications of component replacement or printed wiring board modifications may void any warranty.

Where to Go for Additional Help

In addition to this guide, the following information sources are available:

- *HP ProLiant BL e-Class C-GbE Interconnect Switch Menu-driven Interface Reference Guide*
- *HP ProLiant BL e-Class C-GbE Interconnect Switch Command Line Interface Reference Guide*
- *HP ProLiant BL e-Class C-GbE Interconnect Switch Web-based Interface Reference Guide*
- *Service Quick Reference Guide*
- Service training guides
- Service advisories and bulletins
- QuickFind information services
- Insight Manager software

Telephone Numbers

For the name of your nearest HP authorized reseller:

- In the United States, call 1-800-345-1518.
- In Canada, call 1-800-263-5868.

For HP technical support:

- In the United States and Canada, call 1-800-652-6672.
- Outside the United States and Canada, refer to
www.hp.com

Overview

This user guide provides installation and reference information for the HP ProLiant BL e-Class C-GbE Interconnect Switch.

Configuration and management information provided in this guide applies to interconnect switches running firmware version 2.0.0 and higher and includes new features such as:

- A command line interface (CLI) that provides standard scripting capabilities as well as enhanced systems management and deployment
- Simple Network Time Protocol (SNTP) capability that allows the GbE Interconnect Switch to obtain the current date and time through a primary or secondary SNTP server
- The capability to manually set the system time
- Simple Network Management Protocol (SNMP) Management Information Base (MIB) enhancements

Additional References

Once the interconnect switch is installed, you are ready to configure it. Detailed information about how to configure the interconnect switch using the various user interfaces is available in the following reference guides. These guides are located on the ProLiant BL e-Class C-GbE Interconnect Switch Management System Utilities and User Documentation CD.

- *HP ProLiant BL e-Class C-GbE Interconnect Switch Menu-driven Interface Reference Guide*
- *HP ProLiant BL e-Class C-GbE Interconnect Switch Command Line Interface Reference Guide*
- *HP ProLiant BL e-Class C-GbE Interconnect Switch Web-based Interface Reference Guide*

ProLiant BL e-Class C-GbE Interconnect Switch

The ProLiant BL e-Class C-GbE (Copper Gigabit Ethernet) Interconnect Switch uses 10/100/1000 Gigabit Layer 2 switch technology to provide up to a 40-to-1 reduction in the number of networking cables required for each ProLiant BL e-Class server blade enclosure. Each interconnect switch reduces forty 10Base-T/100Base-TX server networking ports to as few as one (up to four) RJ-45 10Base-T/100Base-TX/1000Base-T uplink ports.

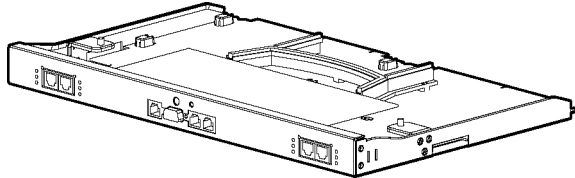


Figure 1-1: ProLiant BL e-Class C-GbE Interconnect Switch

Features

The ProLiant BL e-Class C-GbE Interconnect Switch is designed for easy installation and high performance in an environment where traffic on the network and the number of users increase continually.

Enterprise Class Performance

The ProLiant BL e-Class C-GbE Interconnect Switch features include:

- Up to a 40-to-1 reduction in networking cables and connections by:
 - Converting forty 10/100 Ethernet networking ports to as few as one (up to four) Gigabit Ethernet networking ports.
 - Allowing the use of only one of the four Gigabit Ethernet networking ports to dramatically reduce the number of network cables required for a ProLiant BL e-Class system.
 - Allowing use of the remaining Gigabit Ethernet ports to fit the bandwidth requirement.
 - Providing redundant networking paths to each ProLiant BL e-Class server blade through redundant switching modules.
- Preconfiguration for immediate use with the ProLiant BL e-Class server blade enclosure
- Industry standard protocols compatible with other widely-used networking components
- Support for a total of 255 IEEE 802.1Q VLANs (including user configureable and/or dynamic register), for server grouping and isolation
- A variety of management interfaces

- Support for saving and downloading switch configurations to a TFTP server, thus allowing for rapid deployment of multiple systems, and backup and restore capabilities
- Uplink and management ports with link activity and speed indicators
- Extra ports for management debugging and port mirroring

Interconnect Switch Redundancy

The ProLiant BL e-Class C-GbE Interconnect Switch offers several redundancy and failover features. The interconnect switch can be configured for continued network access to each server blade in case of system failure. Interconnect switch redundancy features include:

- Two separate switch modules for each ProLiant BL e-Class C-GbE Interconnect Switch
- Two Gigabit Ethernet uplink ports per switch module, with a total of four per interconnect switch, for designing fully meshed uplink paths to the network backbone
- Server networking connections routed to both switch modules for redundant paths to tolerate a switch module or a port malfunction
- Redundant data path 10/100 Ethernet cross connections between switch modules
- Spanning Tree Protocol support which eliminates potential problems caused by redundant networking paths and provides for failover with secondary path, in case of primary path failure
- Power and cooling by the redundant hot-plug power supplies and fans within the ProLiant BL e-Class server blade enclosure

Configuration and Management

The ProLiant BL e-Class C-GbE Interconnect Switch provides the following configuration and management interfaces and tools:

- A command line interface (CLI) and a menu-driven interface allow local, Telnet, or Serial Line Internet Protocol (SLIP) access.
- A browser-based GUI allows remote access using a Web browser such as Microsoft® Internet Explorer or Netscape Navigator.
- Simple Network Management Protocol (SNMP) and Remote Monitoring (RMON) manageability and monitoring are supported. An SNMP-based scripting utility allows remote configuration of the GbE Interconnect Switch.
- The interconnect switch functionality allows you to save and download interconnect switch configurations to a TFTP server, thus allowing the rapid deployment of multiple server blade systems, and providing robust backup and restore capabilities.
- Simple Network Time Protocol (SNTP) is supported allowing the interconnect switch to display and record the accurate date and time as provided by an SNTP server.
- The interconnect switch functionality allows you to manually set the system time.

Diagnostic Tools

The hardware, software, and firmware diagnostic tools that are available include:

- ProLiant BL e-Class Integrated Administrator
- *Insight Manager 7*
- Power-On Self Test (POST) built into the interconnect switch boot-up process
- C-GbE Interconnect Switch Management System and Utilities
- C-GbE Interconnect Switch port mirroring
- C-GbE Interconnect Switch LEDs for port status and speed
- Medium Access Control (MAC)-based backdoor password provision (contact HP technical support)

Interconnect Switch Architecture

The ProLiant BL e-Class C-GbE Interconnect Switch contains the ProLiant BL e-Class Integrated Administrator module and two redundant interconnect switch modules (Switch A and Switch B).

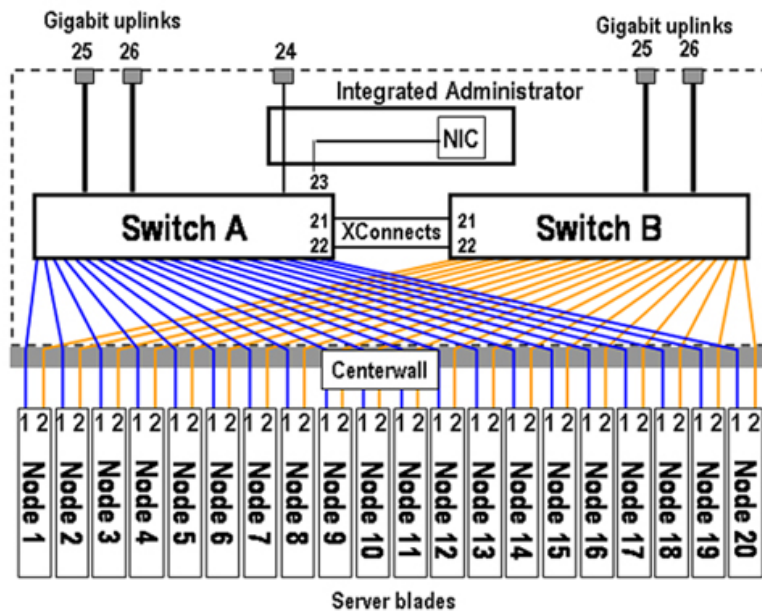


Figure 1-2: ProLiant BL e-Class C-GbE Interconnect Switch architecture

Integrated Administrator

The ProLiant BL e-Class Integrated Administrator provides centralized, remote management and monitoring for the ProLiant BL e-Class server blade enclosure, interconnect switch module, and 20 server blades. The Integrated Administrator acts as a combination terminal server and remote power controller, enabling out-of-band, secure, serial console connections to all server blades in the enclosure.

The Integrated Administrator serves as a single access point for administrative functions. It provides remote and local setup, deployment, and administrative support, as well as monitoring and health reporting of server blades, interconnect switch modules, and other components in the enclosure, such as power supplies and fans.

Interconnect Switch Modules

Two interconnect switch modules (Switch A and Switch B) in the interconnect switch provide switch redundancy and redundant paths to the network ports on the server blades.

Each interconnect switch has two GB uplink ports and direct connections to one of the two network interface cards (NICs) (NIC 1 and NIC 2) on each server blade. The interconnect switch reduces as many as forty 10/100 Ethernet ports on the server blade into as few as one (up to four) Gigabit uplink ports on the back of the system.

Redundant Crosslinks

The two interconnect switch modules are connected through redundant 100-Mb crosslinks. These two crosslinks provide an aggregate throughput of 200 Mb for traffic between the switch modules.

Redundant Paths to Server Blades

The NICs of each server blade are routed through the enclosure's centerwall assembly to different switch modules. By default, NIC 1 on each server blade is routed to Switch A and NIC 2 on each server blade is routed to Switch B. This configuration provides redundant paths to each server.

IMPORTANT: On a heavily used system, using a single uplink port for all 40 NICs can cause a traffic bottleneck. For example, if uplink 1 on Switch A is the only uplink used, all traffic to and from NIC 2 on any of the server blades must travel over the crosslinks between Switch A and Switch B. This path to the server blade NICs is intended as a failover route and should not be used as a primary path. For optimum performance, use uplink ports from both switch modules.

Supported Technologies

The ProLiant BL e-Class C-GbE Interconnect Switch supports the following technologies.

Layer 2 Switching

The ProLiant BL e-Class C-GbE Interconnect Switch uses 10/100/1000 Gigabit Layer 2 switching technology. Layer 2 refers to the Data Link layer of the Open Systems Interconnection (OSI) model, which is concerned with moving data packets across a network by enforcing Carrier Sense Multiple Access with Collision Detection (CSMA/CD). This layer performs:

- Ethernet packet framing
- MAC addressing
- Physical medium transmission error detection
- Medium allocation (collision avoidance)
- Contention resolution (collision handling)

Layer 2 switch technology allows the interconnect switch to look into data packets and redirect them based on the destination MAC address. This technology reduces traffic congestion on the network, because packets, instead of being transmitted to all ports, are transmitted to the destination port only.

IEEE 802.1Q-Based Virtual Local Area Network

The ProLiant BL e-Class C-GbE Interconnect Switch provides support for a total of 255 IEEE 802.1Q Virtual Local Area Networks (VLANs) (including user configurable and/or dynamic registered), for server grouping and isolation. A VLAN is a network segment configured according to a logical scheme rather than a physical layout. VLANs can be used to combine any collection of LAN segments into an autonomous user group that appears as a single LAN. VLANs also logically segment the physical network into different broadcast domains so that packets are forwarded only between ports within the VLAN. This technology enhances performance by conserving bandwidth and improves security by limiting traffic to specific domains.

IMPORTANT: The greater the number of VLANs, the greater the interconnect switch CPU utilization. For maximum interconnect switch performance, HP recommends that you be judicious when configuring the number of VLANs.

Spanning Tree Protocol

The interconnect switch supports Spanning Tree Protocol (STP), which allows the blocking of links that form loops between switches in a network. When multiple links between switches are detected, a primary link is established. Duplicated links are blocked from use and become standby links. If the primary link fails, the standby link is activated. Refer to Appendix D for more information.

Simple Network Management Protocol and Remote Monitoring

Each switch module can be configured and monitored remotely from a Simple Network Management Protocol (SNMP)/Remote Monitoring (RMON) based Network Management Station. The switch modules support industry-standard SNMP Management Information Bases (MIBs), HP Switch MIBs, and RMON groups 1 (statistics), 2 (History), 3 (Alarm), and 9 (Event) for fault detection, configuration, and monitoring of switch functionality. In addition, the interconnect switch supports various environmental traps such as temperature and fan failure traps.

To secure the management interface, the switch administrator can configure community strings with two levels of access. Access can be restricted to a limited number of Management Stations by configuring a list of IP addresses of those stations that can access the interconnect switch. Refer to Appendix E for more information.

Port Mirroring

The interconnect switch allows the user to mirror a port to another port for network monitoring and troubleshooting purposes. This technology offers a way for network packet analyzers to view the traffic moving through the switch modules by providing a copy of the traffic that is currently being passed through any other port. The packets are normally sent to a network packet analyzer or other monitoring device attached to the mirror port.

Port Trunking and Load Balancing

The interconnect switch port trunking feature allows several ports to be grouped together and act as a single logical link called a trunk. This feature provides a bandwidth that is a multiple of a single link's bandwidth. It also improves reliability since a configurable type of load balancing is automatically applied to the ports in the trunked group. A link failure within the group causes the network traffic to be directed to the remaining links in the group.

Trivial File Transfer Protocol Support

The Trivial File Transfer Protocol (TFTP) service feature allows the interconnect switch firmware to be upgraded by downloading a new firmware file from a TFTP server to the switch modules. A configuration file can also be loaded into a switch module from a TFTP server, configuration settings can be saved to the TFTP server, and a history log can be uploaded from the switch module to the TFTP server.

Store and Forward Switching Scheme

The interconnect switch provides a store and forward switching scheme that allows each packet to be buffered (stored) before it is forwarded to its destination. While this method creates latency, it improves reliability in a heavily used interconnect switch. Packets that cannot be forwarded are saved immediately, rather than dropped, and packets behind it are less likely to be dropped in periods of heavy usage.

IEEE 802.1p-Based Class of Service for Packet Prioritization

Class of Service (CoS) for packet prioritization allows switch administrators to set priority levels on the interconnect switch for forwarding packets based on the priority setting information in the packets. The interconnect switch supports four classes of traffic (buffers or queues) for implementing priority. The interconnect switch allows administrators to map eight priority levels to four classes. Traffic from a specific server port can be given priority over packets from other devices according to this range of priority levels. For example, with multiple packets in a buffer, the packet with the highest priority would be forwarded first, regardless of when it was received.

Internet Group Management Protocol Snooping

Internet Group Management Protocol (IGMP) snooping, when enabled and configured properly, manages multicast traffic in a switch module by allowing directed switching of the IP multicast traffic. The interconnect switch can use IGMP snooping to configure switch module ports dynamically, so that IP multicast traffic is forwarded only to those ports associated with IP multicast hosts.

IGMP snooping allows the switch module to recognize IGMP queries and reports sent between network stations or devices and an IGMP host that belongs to a specific multicast group. When enabled for IGMP snooping, the switch module can open or close a port to a specific device based on IGMP messages passing through the module. This feature further limits unnecessary broadcasts. The GbE Interconnect Switch can be configured to use either IGMP version 1 or version 2 when making queries

Dynamic Host Configuration Protocol or Bootstrap Protocol

A switch module can be configured to obtain an IP address from a Dynamic Host Configuration Protocol (DHCP) or Bootstrap Protocol (BOOTP) server during the boot process. By default, the interconnect switch is configured for DHCP. The IP settings can be manually configured through the console interface. The IP settings are also configurable from other interfaces, such as the Web, but since the connection is based on an IP address for these interfaces, users have to reconnect with the newly assigned IP address.

Simple Network Time Protocol

The interconnect switch can maintain the current date and time. This information displays on the management interfaces and is used to record the date and time of switch events. Current date and time information can be manually set on the interconnect switch or can be obtained through Simple Network Time Protocol (SNTP). SNTP allows the interconnect switch to send a request to a primary or secondary SNTP server in each polling period asking for the Greenwich Mean Time (GMT). If the primary SNTP server is not available, the request is sent to a secondary SNTP server.

User Account Management

For increased security, separate user accounts can be set up with various levels of permission.

External Components

This section describes the external panel and LED indicators of the ProLiant BL e-Class C-GbE Interconnect Switch.

External Panel

The external panel of each interconnect switch has four RJ-45 connectors with Gigabit Ethernet uplink connectivity for network cabling. In addition, there are two Integrated Administrator connectors (one RJ-45 and one serial port) that support remote and local out-of-band management of the interconnect switch through a browser, SNMP/RMON, and Telnet console interfaces.

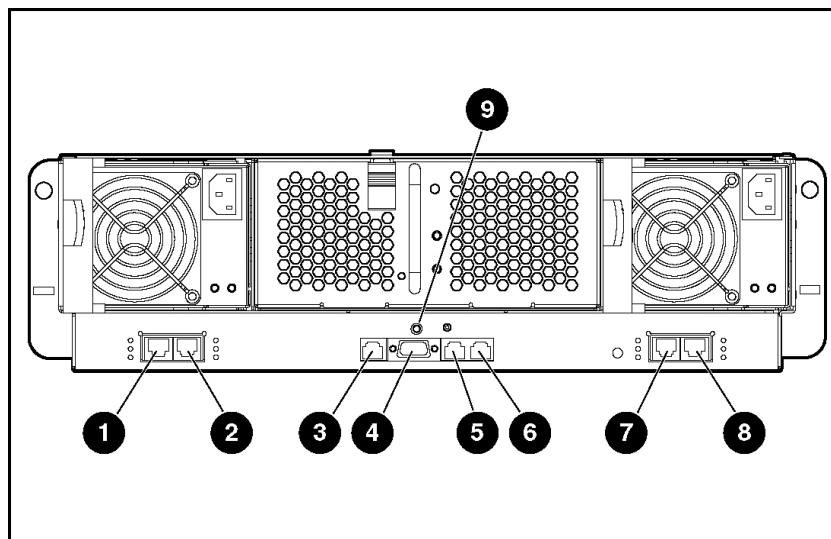


Figure 1-3: Interconnect switch external panel

Table 1-1: Interconnect Switch External Panel

Item	Description	Location
1	Gigabit Ethernet port 26 connector on Switch B	Interconnect switch
2	Gigabit Ethernet port 25 connector on Switch B	Interconnect switch
3	Integrated Administrator management RJ-45 connector (Switch A Port 24—10/100 Ethernet)	Integrated Administrator module
4	Integrated Administrator console connector (serial)	Integrated Administrator module
5	Reserved for future use	Integrated Administrator module
6	Reserved for future use	Integrated Administrator module
7	Gigabit Ethernet port 26 connector on Switch A	Interconnect switch
8	Gigabit Ethernet port 25 connector on Switch A	Interconnect switch
9	Combined interconnect switch and Integrated Administrator Reset button	Integrated Administrator module



CAUTION: Do not use the enclosure link (RJ-45) connectors (refer to items 5 and 6 in Table 1-1) on the Integrated Administrator module. Connecting an external device to these enclosure link (RJ-45) connectors can damage the external device.

IMPORTANT: Resetting the interconnect switch disconnects the server blades from the network while the switch is rebooting. To reset the interconnect switch, press the **Reset** button for at least four seconds. To reset only the Integrated Administrator module, press the **Reset** button for less than four seconds.

LED Indicators

The ProLiant BL e-Class C-GbE Interconnect Switch LEDs provide information about switch health, link speed and activity, and stacking status.

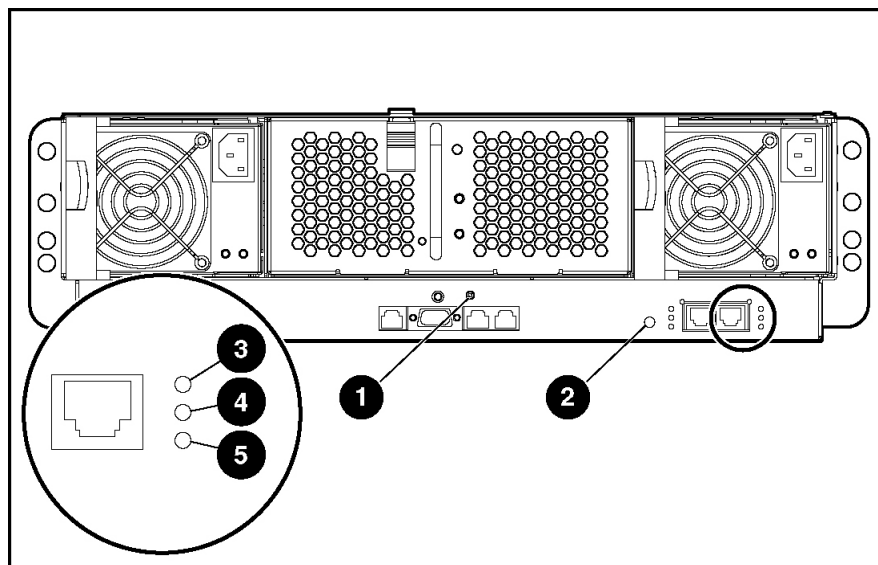


Figure 1-4: Interconnect switch external panel LEDs

Table 1-2: Interconnect Switch External Panel LEDs

Item	LED Description	Status
1	Integrated Administrator module health	Green = Enclosure on, Integrated Administrator health good Amber = Integrated Administrator health degraded Red = Integrated Administrator health critical Off = Enclosure off
2	Interconnect switch health	Green = Enclosure on, interconnect switch health good Amber = Interconnect switch health degraded Red = Interconnect switch health critical Off = Enclosure off or booting
3	Reserved for future use	
4	Link activity	Green = Network link Flashing green = Network activity Amber = Port disabled Off = No network link
5	Link speed	Amber = 1000 Mb/s Green = 100 Mb/s Off = 10 Mb/s or no network link

Setting up and Installing the Interconnect Switch

Overview

This chapter describes how to set up and install the ProLiant BL e-Class C-GbE Interconnect Switch and connect it to your network.

The setup and installation procedure includes the following tasks:

1. Installing the interconnect switch hardware
2. Planning the interconnect switch configuration
3. Cabling the interconnect tray to the network
4. Configuring the Integrated Administrator module
5. Accessing the switch modules

NOTE: The ProLiant e-Class C-GbE Interconnect tray consists of the ProLiant BL e-Class Integrated Administrator module and two interconnect switch modules (Switch A and Switch B).

Installing Interconnect Switch Hardware

This section describes how to install the interconnect tray in a new switch deployment, as a replacement for an existing interconnect switch, and as an upgrade from a patch panel.

Installing a New Interconnect Tray in a New ProLiant BL e-Class Server Blade Enclosure

To install a new interconnect tray:

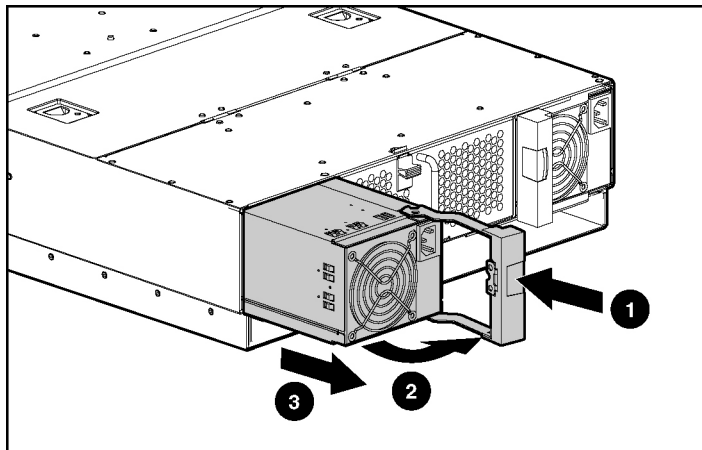


Figure 2-1: Removing a hot-plug power supply

1. Press the port-colored latch to release one hot-plug power supply (1).

NOTE: Port-color indicates hot-plug components.

2. Pull the handle to its open position (2).
3. Slide the hot-plug power supply out of the server blade enclosure (3).
4. Repeat steps 1 through 3 to remove the other hot-plug power supply.

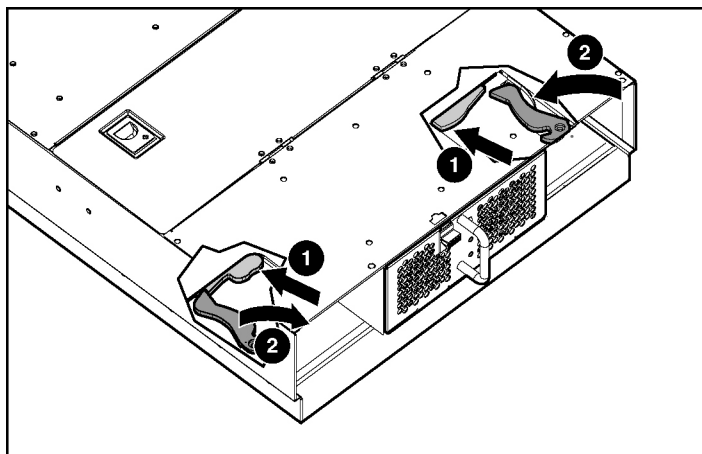


Figure 2-2: Pulling the interconnect tray ejector levers

5. Press both interconnect tray release buttons (1).
6. Simultaneously pull both slate blue ejector levers toward the rear of the server blade enclosure (2).

NOTE: Slate blue indicates internal touch point components.

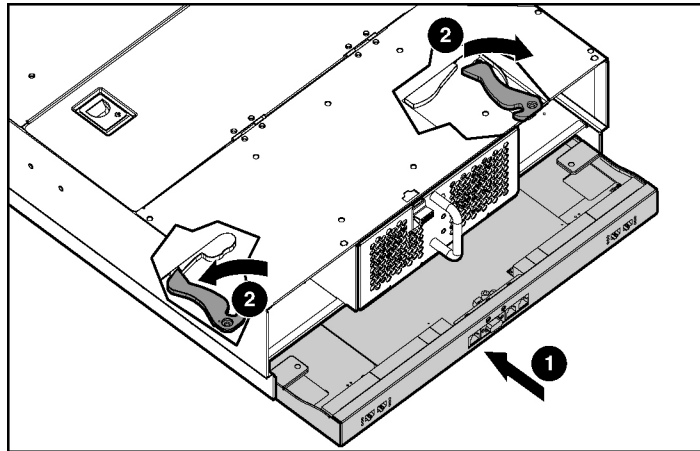


Figure 2-3: Inserting the interconnect tray and engaging the interconnect tray levers

7. Insert the interconnect tray into the server blade enclosure (1).
8. Simultaneously rotate both ejector levers to the locked position (2).

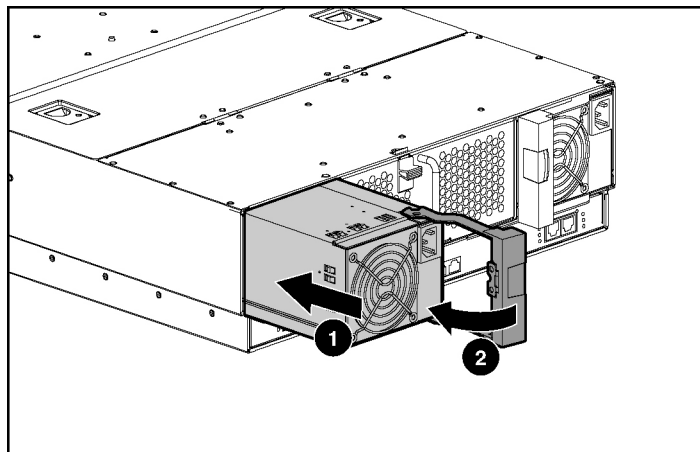


Figure 2-4: Installing a hot-plug power supply

9. Install the hot-plug power supplies (1).
10. Push the power supply handles to the closed position (2).

Replacing an Existing Interconnect Tray

To replace an existing interconnect tray:

1. Upload the current switch configuration to a TFTP server. Refer to the “Saving Settings to a TFTP Server” section in the management interface reference guides.

IMPORTANT: HP recommends saving the switch module configuration to a TFTP server once the switch module configuration is complete or has changed.

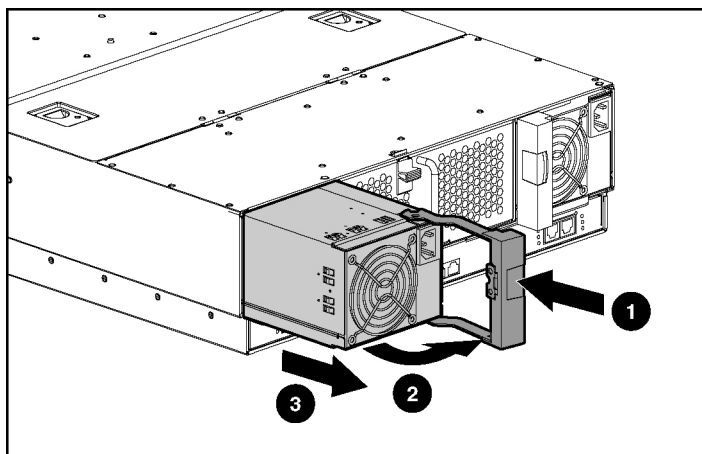


Figure 2-5: Removing a hot-plug power supply

2. Press the port-colored latch to release one hot-plug power supply (1).

IMPORTANT: Port-color indicates hot-plug components.

3. Pull the handle to its open position (2).
4. Slide the hot-plug power supply out of the server blade enclosure (3).
5. Repeat steps 2 through 4 to remove the other hot-plug power supply.

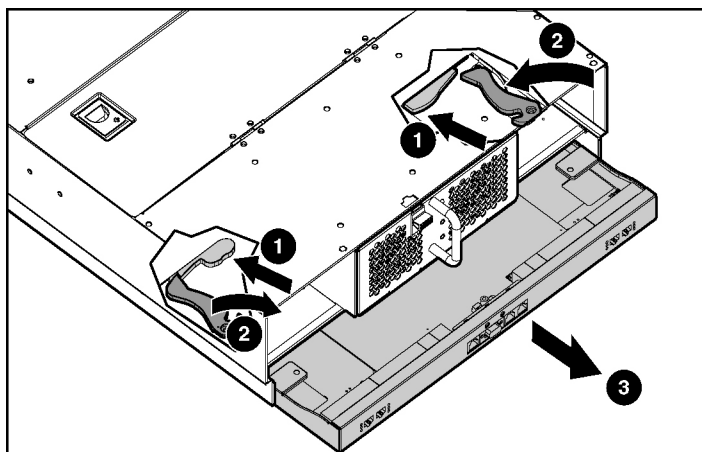


Figure 2-6: Removing the old interconnect tray

6. Press both interconnect tray release buttons (1).

7. Simultaneously pull both slate blue ejector levers toward the rear of the server blade enclosure (2).

IMPORTANT: Slate blue indicates internal touch point components.

8. Pull the existing interconnect tray out of the server blade enclosure.

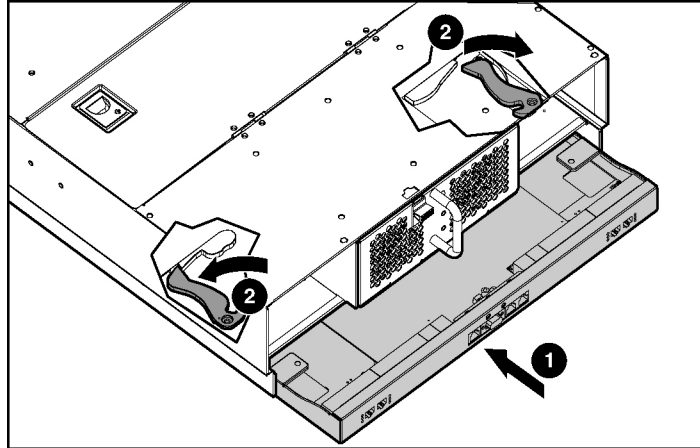


Figure 2-7: Inserting the new interconnect tray and engaging the interconnect tray levers

9. Insert the new interconnect tray into the server blade enclosure (1).
10. Simultaneously rotate both ejector levers to the locked position (2).

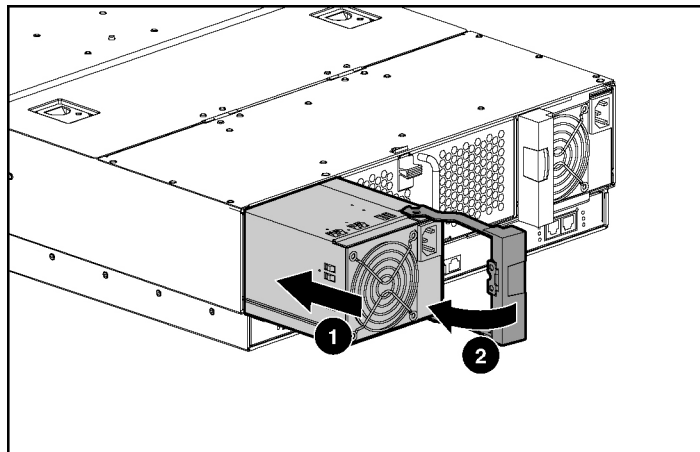


Figure 2-8: Installing a hot-plug power supply

11. Install the hot-plug power supplies (1).
12. Push the power supply handles to the closed position (2).
13. Download the switch configuration file from the TFTP server. Refer to the “Downloading Configuration File on a TFTP Server” section in the management interface reference guides. If no configuration file is available, reconfigure the switch modules.

Replacing a Patch Panel Tray

To remove the patch panel tray and install an interconnect tray:

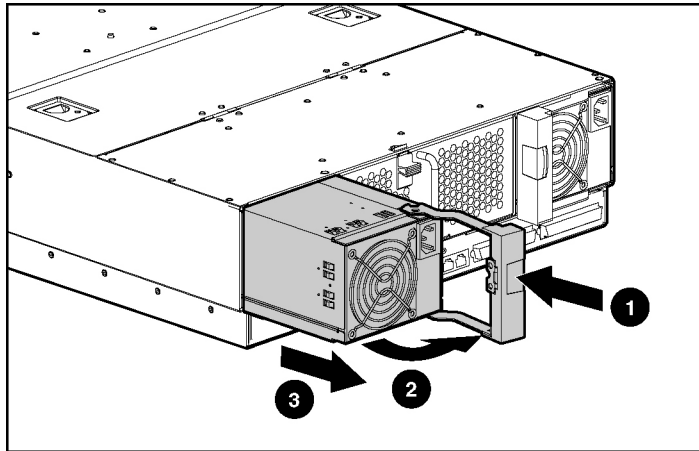


Figure 2-9: Removing a hot-plug power supply

1. Press the port-colored latch to release one hot-plug power supply (1).

IMPORTANT: Port-color indicates hot-plug components.

2. Pull the handle to its open position (2).
3. Slide the hot-plug power supply out of the server blade enclosure (3).
4. Repeat steps 1 through 3 to remove the other hot-plug power supply.

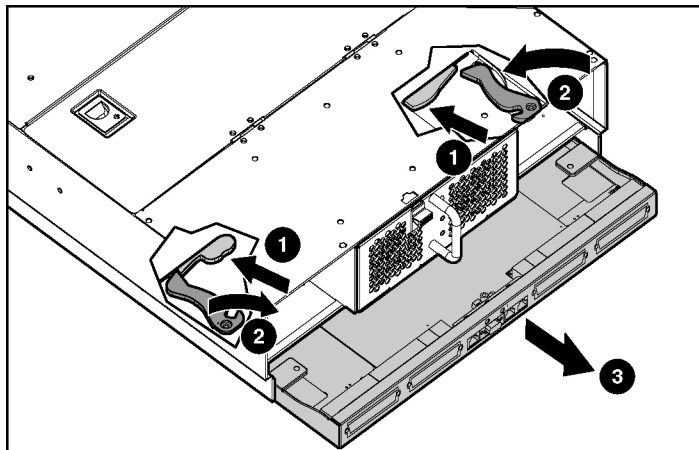


Figure 2-10: Removing the patch panel tray

5. Press both interconnect tray release buttons (1).
6. Simultaneously pull both slate blue ejector levers toward the rear of the server blade enclosure (2).

IMPORTANT: Slate blue indicates internal touch point components.

7. Pull the patch panel tray out of the server blade enclosure (3).

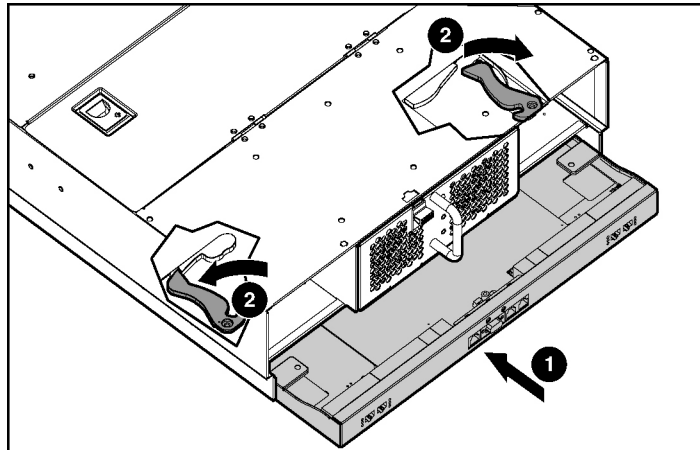


Figure 2-11: Inserting the interconnect tray and engaging the interconnect tray levers

8. Insert the interconnect tray into the server blade enclosure (1).
9. Simultaneously rotate both ejector levers to the locked position (2).

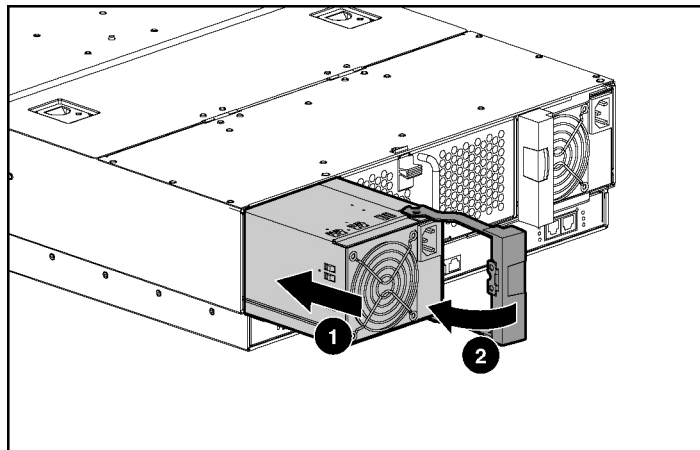


Figure 2-12: Installing a hot-plug power supply

10. Install the hot-plug power supplies (1).
11. Push the power supply handles to the closed position (2).

Planning the Interconnect Switch Configuration

Before you configure the switch modules, HP recommends that you plan the configuration. As you plan, keep in mind the default settings, security issues and privileges, and whether you want to configure each switch module manually or configure multiple switch modules at the same time.

Default Settings

IMPORTANT: Refer to Appendix C for detailed default configuration settings.

The interconnect switch ships with a default configuration with all ports (of both Switch A and Switch B) enabled and assigned the same virtual LAN (VLAN). In addition, the Integrated Administrator management connector (connected to internal port 23 of Switch A) is assigned to the same default VLAN.

This default configuration simplifies your initial setup by allowing you to use a single uplink cable (from any external Ethernet connector) to connect the server blade enclosure and its server blades to your network. Keep in mind that your environment may require other configurations.

When planning the configuration, consider the defaults for the following parameters:

- Switch IP settings
- Virtual Local Area Network (VLAN) and GARP VLAN Registration Protocol (GVRP) settings
- Spanning Tree Protocol (STP) settings
- Port names and types
- Port trunking settings
- Class of Service (CoS) settings
- Interswitch X-connect port settings
- Simple Network Management Protocol (SNMP)/Remote Monitoring (RMON) settings
- User name and password settings
- Default access to various management interfaces
- Internet Group Management Protocol (IGMP) Snooping settings
- Simple Network Time Protocol (SNTP) settings

Interconnect Switch Security

When planning the configuration for a switch module, secure access to the management interface by:

- Creating users with various access levels to the local console, remote Telnet, and Web interface. Refer to Table 2-1 for the three levels of user access privileges.
- Enabling or disabling access to various management interfaces to fit the security policy.
- Changing default SNMP/RMON community strings for read-only and read-write access.

Root, User+, and User Privileges

There are three levels of user privileges: Root, User+, and User. Some menu selections available to users with Root privileges may not be available to those with User+ and User privileges.

The following table summarizes user privileges.

Table 2-1: User Privileges

Privilege	Root	User+	User
Configuration	Yes	Read-only	Read-only
Network Monitoring	Yes	Read-only	Read-only
Community Strings and Trap Stations	Yes	Read-only	Read-only
Update Firmware and Configuration Files	Yes	No	No
System Utilities	Yes	Ping-only	Ping-only
Factory Reset	Yes	No	No
Reboot Switch	Yes	Yes	No
Add/Update/Delete User Accounts	Yes	No	No
View User Accounts	Yes	No	No

Manually Configuring a Switch Module

A switch module can be configured manually using a local console interface, a remote Telnet console interface, a Web interface, or an SNMP interface. Refer to the management interface reference guides for information on how to configure the switch modules.

After a switch module is configured, you can back up the configuration as a binary file to a TFTP server. The backup configuration file can then be downloaded from the TFTP server to restore the switch module back to the original configuration, under one of the following conditions:

- The switch module configuration gets corrupted during operation.
- The switch module needs to be replaced due to hardware failure.

Configuring Multiple Switch Modules

You can configure multiple switch modules by using scripted Command Line Interface (CLI) commands through Telnet or by downloading a configuration file using a TFTP server.

Using Scripted CLI Commands through Telnet

The CLI, provided with the interconnect switch, allows you to execute customized configuration scripts on multiple switch modules. A configuration script can be tailored to one of the multiple switch modules, and then that configuration can be deployed to other switch modules from a central deployment sever.

Using a Configuration File

If you plan for the base configuration of multiple switch modules in your network to be the same, you can manually configure one switch module, upload the configuration to a TFTP server, and use that configuration file as a base configuration template. This base configuration file can then be downloaded to multiple switch modules.

Small configuration changes can be pushed out to multiple switch modules by creating a configuration file with just the configuration items desired. The configuration file can be downloaded to each switch module needing the change. Refer to Appendix H, XML Configuration, for additional information regarding the XML configuration file.

Switch module IP addresses are acquired by default using DHCP, therefore, each module has a unique IP address. Each switch module can be remotely accessed from a central deployment server and an individual switch module configuration can be downloaded to meet specific network requirements. Refer to the management interface reference guides for more information on using a TFTP server to upload and download configuration files.

Cabling the Interconnect Tray

After installing the interconnect switch hardware and planning the configuration, cable the interconnect tray to your network.



CAUTION: In order to avoid damaging the server blade enclosure, observe the following guidelines when cabling:

- Connect the AC power cords last.
 - Be sure to connect both AC power cords for redundancy and proper cooling.
 - Bundle all cables and route them to the edge of the rack for proper cooling and airflow.
-

To cable the interconnect tray:

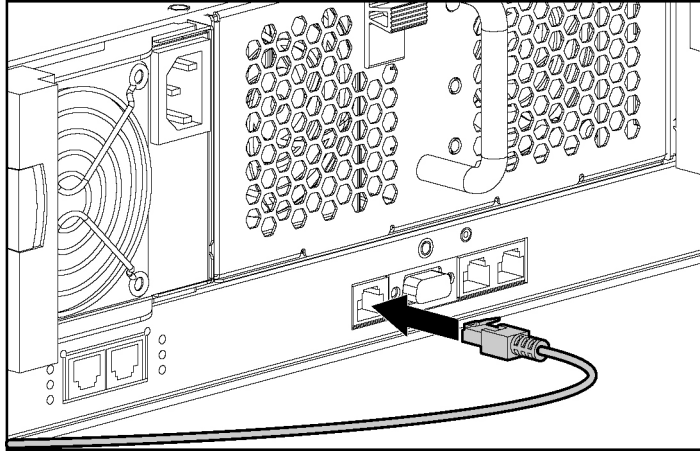


Figure 2-13: Connecting the Integrated Administrator module

1. Connect the Integrated Administrator module to your network by using the management connector (10/100 Ethernet).

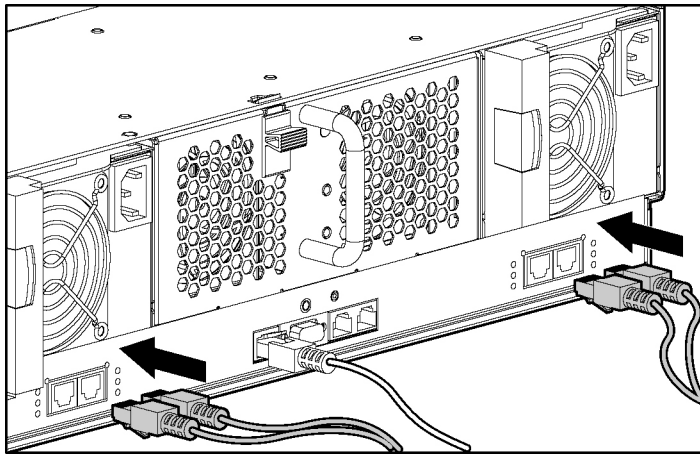


Figure 2-14: Connecting the network cables

2. Install the network cables. By default, each server blade has PXE enabled on Ethernet Port 1. Since the Ethernet Port 1 of every server blade physically routes through Switch A, HP recommends that either Port 25 or 26 of Switch A be used for PXE functions.

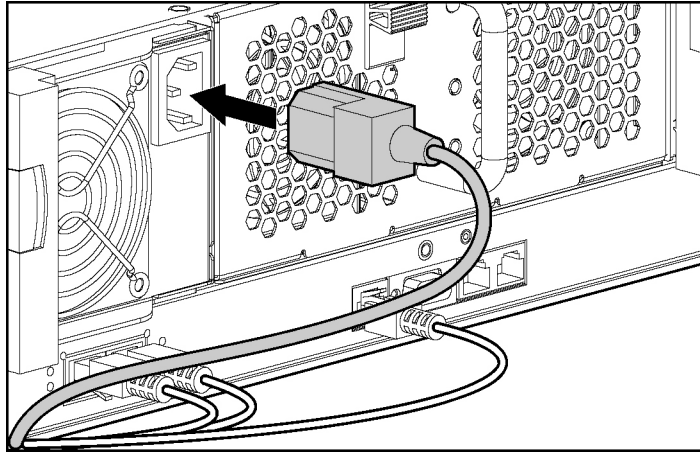


Figure 2-15: Connecting the power cables

3. Install the power cords. The server blade enclosure and interconnect switch power up as soon as power is applied to the enclosure.



CAUTION: Because the server blade enclosure uses both power supplies for power redundancy and proper cooling, be sure that both power cords are connected at all times.

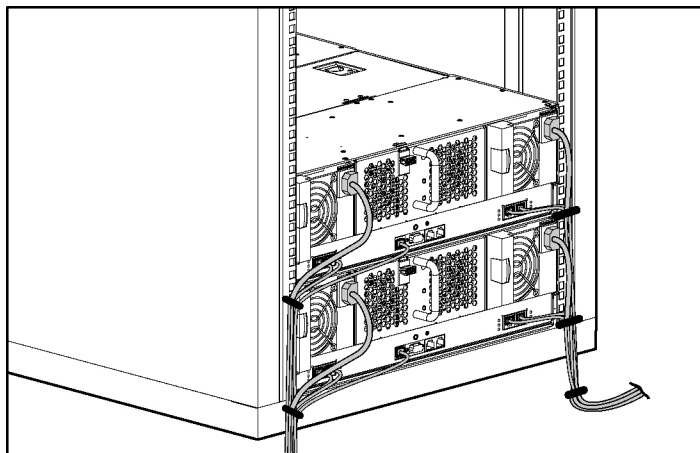


Figure 2-16: Routing the cables

4. Bundle the network and power cables together and route them to the outer edge of the rack.

Configuring the Integrated Administrator

After cabling the interconnect switch to your network, the next step is to configure the Integrated Administrator module. The Integrated Administrator module enables monitoring and managing of all functions within a server blade enclosure, as well as the ability to configure the switch modules. After the switch modules are configured, the Integrated Administrator module provides these features through both a Web-based user interface and a command line interface.

You can connect to the Integrated Administrator module command-line interface locally or remotely.

- For local, out-of-band access, connect a null-modem cable into the serial port on the back of the enclosure, and then use VT100 terminal emulation software to connect.
- For remote access, you can use a Telnet or Secure Shell session to connect to the built-in network controller.

NOTE: For complete instructions, refer to the *HP ProLiant BL e-Class Integrated Administrator User Guide* on the Documentation CD provided with your server blade enclosure.

To configure the Integrated Administrator module:

1. Using the null-modem serial cable (provided with your server blade enclosure), connect the Integrated Administrator (serial) console connector to a local client device such as a laptop computer with VT100 terminal emulation software (such as Microsoft® Windows® HyperTerminal).

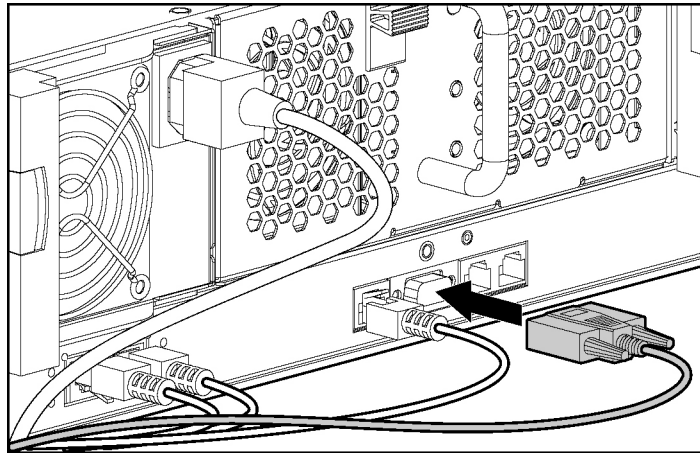


Figure 2-17: Connecting the Integrated Administrator (serial) console connector

2. Open a VT100 terminal emulation session with the following settings: 9600 baud rate, eight data bits, no parity, one stop bit, and hardware flow control disabled.
3. Log on to the Integrated Administrator using the user name and password provided on the tag attached to the interconnect tray. The tag contains a unique default password that should be changed during your first logon session.

IMPORTANT: User name and password are case-sensitive.

4. Determine the Integrated Administrator IP address using one of the following methods:

NOTE: For more information, such as determining the Integrated Administrator IP address using the Web-based user interface, refer to the *HP ProLiant BL e-Class Integrated Administrator User Guide* on the Documentation CD provided with your server blade enclosure.

- a. If a DHCP server is attached to the network, type the following at the command line to determine the Integrated Administrator IP address:

```
show network
```

- b. If a DHCP server is **not** attached to the network, then type the following commands to assign a static IP address to the Integrated Administrator:

```
set ipconfig static <IP address> <subnet mask>
```

```
set gateway <IP address>
```

```
set DNS <primary DNS server address> {<secondary DNS server address>}
```

```
restart
```

You may now access the Integrated Administrator module through a Web browser, Secure Shell, Telnet, or SNMP connection.

5. Perform the following tasks as soon as the Integrated Administrator IP address is assigned:
 - a. Reset the administrator password
 - b. Set the day, date, and time
 - c. Name the server blade enclosure and rack
 - d. Set up groups, users, and access privileges

Accessing the Switch Modules

After your ProLiant e-Class C-GbE Interconnect Switch is installed and cabled and the Integrated Administrator is configured, you can access and configure the switch modules through the Integrated Administrator software.

1. Access the switch modules from the Integrated Administrator command line interface using one of the following methods:
 - a. If you have already logged into the Integrated Administrator as the “Administrator,” you can connect to either switch module console using one of the following commands:

```
connect switch a to access Switch A
```

or

```
connect switch b to access Switch B
```


- b. If you have **not** logged on to the Integrated Administrator, you can use one of two special logon accounts to access the switch module consoles directly, depending on whether you want to access Switch A or Switch B. At the login prompt type in both the user name and password as either:

switcha

or

switchb

The logon screen for Switch A or Switch B will now be displayed.

2. Perform the following tasks for each switch module:
 - a. Configure the IP address
 - b. Set up users, passwords, and access privileges
 - c. Change default SNMP community strings for read/write and read-only

NOTE: After configuring the IP address on the switch module, the switch module can be accessed using Telnet, SNMP, or a Web browser.

Refer to the command line interface and menu-driven interface reference guides for information on how to use the command line management interface and the menu-driven interface to change configuration settings and monitor switch operation using one of the following interfaces:

- Local Serial RS-232 Console Management Interface through Integrated Administrator
- Remote Telnet Console Management Interface

Refer to the Web-based interface reference guide for information on how to use the embedded Web-based (HTML) interface to manage the interconnect switch from anywhere on the network using a standard browser, such as Netscape Navigator or Microsoft Internet Explorer.

Appendix E of this guide provides information regarding the SNMP and RMON Agents along with the MIBs supported. This appendix also discusses how to use these MIBs to configure and monitor the switch modules using a generic SNMP manager.

Supporting Software and Special Considerations

The following supporting software is available to assist you in configuring the interconnect switch:

- Utilities package and documentation—provides interconnect switch utilities, secure replacement procedures, and information on scripting and firmware upgrades
- Interconnect Switch Firmware Upgrade Smart Component (for Microsoft Windows only)—Provides quick and easy installation of the interconnect switch firmware, firmware upgrade tool, and readme file. A SoftPaq is available for use with Linux operating systems

The preceding are located on the ProLiant BL e-Class C-GbE Interconnect Switch Management System Utilities and User Documentation CD included with the interconnect switch and at the following website:

www.compaq.com/support/servers

Regulatory Compliance Notices

Class A Equipment

This equipment has been tested and found to comply with the limits for a Class A digital device, pursuant to Part 15 of the FCC Rules. These limits are designed to provide reasonable protection against harmful interference when the equipment is operated in a commercial environment. This equipment generates, uses, and can radiate radio frequency energy and, if not installed and used in accordance with the instructions, may cause harmful interference to radio communications. Operation of this equipment in a residential area is likely to cause harmful interference, in which case the user will be required to correct the interference at personal expense.

Modifications

The FCC requires the user to be notified that any changes or modifications made to this device that are not expressly approved by Hewlett-Packard Company may void the user's authority to operate the equipment.

Cables

Connections to this device must be made with shielded cables with metallic RFI/EMI connector hoods in order to maintain compliance with FCC Rules and Regulations.

Canadian Notice (Avis Canadien)

Class A Equipment

This Class A digital apparatus meets all requirements of the Canadian Interference-Causing Equipment Regulations.

Cet appareil numérique de la classe A respecte toutes les exigences du Règlement sur le matériel brouilleur du Canada.

European Union Notice



Products bearing the CE marking comply with the EMC Directive (89/336/EEC) and the Low Voltage Directive (73/23/EEC) issued by the Commission of the European Community and if this product has telecommunication functionality, the R&TTE Directive (1999/5/EC).

Compliance with these directives implies conformity to the following European Norms (in parentheses are the equivalent international standards and regulations):

- EN 55022 (CISPR 22)—Electromagnetic Interference
- EN55024 (IEC61000-4-2, 3, 4, 5, 6, 8, 11)—Electromagnetic Immunity
- EN 60950 (IEC 60950)—Product Safety

BSMI Notice

警告使用者：

這是甲類的資訊產品，在居住的環境中使用時，可能會造成射頻干擾，在這種情況下，使用者會被要求採取某些適當的對策。

Japanese Notice

この装置は、情報処理装置等電波障害自主規制協議会（VCCI）の基準に基づくクラスA情報技術装置です。この装置を家庭環境で使用すると電波妨害を引き起こすことがあります。この場合には使用者が適切な対策を講ずるよう要求されることがあります。

Technical Specifications

Table B-1: General Specifications

Standards	IEEE 802.1D Spanning Tree
	IEEE 802.1p QoS prioritization
	IEEE 802.1Q VLAN
	IEEE 802.3 10Base-T Ethernet
	IEEE 802.3ab 1000Base-T Ethernet
	IEEE 802.3ac Frame Extensions for VLAN
	IEEE 802.3ad Link Aggregation Protocol (No LACP support)
	IEEE 802.3u 100Base-TX Fast Ethernet
	IEEE 802.3x Full-Duplex Flow Control
	ANSI/IEEE 802.3 Nway Auto-Negotiation
Protocols	CSMA/CD
Data Transfer Rates	
Ethernet	Half-Duplex: 10-Mb/s
	Full-Duplex: 20-Mb/s
Fast Ethernet	Half-Duplex: 100-Mb/s
	Full-Duplex: 200-Mb/s
Gigabit Ethernet	Full-Duplex: 2000-Mb/s

continued

Table B-1: General Specifications *continued*

Network Cables	
10Base-T	2 Pair UTP Category 3,4,5 (100 m) EIA/TIA-568 100-ohm STP (100 m)
100Base-TX	2 Pair or 4 Pair UTP Category 5 (100 m) EIA/TIA-568 100-ohm STP (100 m)
1000Base and 1000Base-T	4 Pair UTP Category 5e (100 m) EIA/TIA-568 100-ohm STP (100 m)
Number of Ports	42—10/100-Mb/s Nway Ethernet Ports 4—10/100/1000 Base-T/TX/T Uplink Ethernet Ports 1—Serial RS-232 Console Management Port (through the Integrated Administrator) 1—10/100 Base T/TX Ethernet Management Port (through the Integrated Administrator)

Table B-2: Physical and Environmental Specifications

DC Inputs	12V: 3.5A per switch module 5V: 0.3A per switch module
Power Consumption	50 watts maximum per switch module
Operating Temperature	0 to 50 degrees Celsius
Storage Temperature	-30 to 70 degrees Celsius
Operating Humidity	5% to 95% RH noncondensing
Storage Humidity	0% to 95% RH noncondensing
Dimensions	11.2 inches x 16.1 inches
Weight	620 grams (1.4 lb)
EMI	FCC Class A CE Class A VCCI Class A
Safety	UL/CUL TUV/GS

Table B-3: Performance Specifications

Transmission Method	Store-and-forward
Memory	32MB Main, 8MB flash, and 16MB packet buffer per switch module
Filtering Address Table	8K
Packet Filtering/Forwarding Rate	Full-wire speed for all connections. 148,809.5 pps per port (for 100-Mb/s) 1,488,095 pps per port (for 1000-Mb/s)
MAC Address Learning	Automatic update
Forwarding Table Age Time	Maximum Age: 10-9999 seconds Default: 3000 seconds
Maximum Number of VLANs	255 (including default VLAN plus user configurable and/or dynamic registered) per switch module

Runtime Switching Software Default Settings

Default Settings

This section provides the default settings for the interconnect switch modules.

- Table C-1 contains general default settings for both Switch Module A and Switch Module B
- Table C-2 contains Port Names, VLANs, STP/ByPass, Trunking Default Settings for Switch Module A
- Table C-3 contains Port Names, VLANs, STP/ByPass, Trunking Default Settings for Switch Module B

Table C-1: Default Settings

Setting	Value
User Name	None
Password	None
DHCP Service	Enabled
BootP Service	Disabled
IP Address (if manual option is selected)	Switch A = 10.90.90.90 Switch B = 10.90.90.91
Subnet Mask (if manual option is selected)	255.0.0.0
Gateway (if manual option is selected)	0.0.0.0
Management VID	1
System Name	None
System Location	None
System Contact	None
Auto Logout	10 minutes
MAC Address Aging Time	300 seconds
IGMP Snooping—Globally	Disabled
Switch GVRP	Disabled
Telnet Status	Enabled

continued

Table C-1: Default Settings *continued*

Setting	Value
Web Status	Enabled
Telnet/RS232 Interface	Menu
Group Address Filter Mode	Forward all unregistered
Scheduling Mechanism for CoS Queues	Strict
Trunk Load Sharing Algorithm	Src Address
Backpressure	Disabled
Port Speed/Duplex	Auto
Flow Control	On
Setup Restart Ingress Bandwidth	None
Setup Restart Egress Bandwidth	None
Switch STP	Enabled
Bridge Max Age	20 seconds
Bridge Hello Time	2 seconds
Bridge Forward Delay	15 seconds
Bridge Priority	32768
Port Priority	128
Port Cost	19 for ports 1-24 4 for ports 25-26
Static Unicast Filtering Table	None
Static Multicast Filtering Table	None
Static VLAN Entry	Default VLAN (VID = 1)
Port VID	1
Port Ingress Rule Filtering	Off
Port GVRP Setting	Off
IGMP Snooping—VLAN ID	1
IGMP Snooping—State	Enabled
IGMP Snooping—Querier State	Non-querier
IGMP Snooping—Robustness Variable	2
IGMP Snooping—Query Interval	125 seconds
IGMP Snooping—Max Response	10 seconds
Port Trunking	Xconnect (Port 21-22)
Port Mirroring—Source Port	1
Port Mirroring—Source Direction	Either (ingress and egress)
Port Mirroring—Target Port	11

continued

Table C-1: Default Settings *continued*

Setting	Value
Port Mirroring—Mirror Status	Disabled
Broadcast Storm Monitoring	Disabled
Multicast Storm Monitoring	Disabled
DA Unknown Storm Monitoring	Disabled
Storm Threshold	500 packets/second
Port State	Enabled
Class of Service—Max Packets	10
Class of Service—Max Latency	0
Port Priority	0
Class of Traffic	Priority 0, 1: Class 0 Priority 2, 3: Class 1 Priority 4, 5: Class 2 Priority 6, 7: Class 3
Port Security—Admin State	Disabled
Port Security—Max Address	1
Port Security—Mode	DeleteOnReset
Priority MAC Address	None
SNMP Community String	<ul style="list-style-type: none"> • public • private
SNMP Community String Access Right	<ul style="list-style-type: none"> • public = read-only • private = read/write
SNMP Trap Manager IP	None
Security IP	0.0.0.0
User Account	None
TFTP Server IP Address	0.0.0.0
TFTP Port Number	69
Firmware Update	File name = none
Configuration File on TFTP Server	File name = none
Save Setting to TFTP Server	File name = none
Save History Log to TFTP Server	File name = none
PING Test	Target address = Undefined Repeat = Infinite

continued

Table C-1: Default Settings *continued*

Setting	Value
Serial Port Baud Rate	Fixed 115,200
VLAN Mode	IEEE 802.1Q
SNTP	Disabled
SNTP Server 1	0.0.0.0
SNTP Server 2	0.0.0.0
SNTP Poll Interval	720 seconds
Time Zone	-06.00
Daylight Saving Time (DST)	Disabled
Offset in Minutes	60 minutes
Boot Time	0 days 00 :00 :00
Current Time (System Uptime)	Unknown (based on the elapsed time since boot)
Time Source	System Clock

Port Names, VLANs, STP/By Pass, Trunking Default Settings

Table C-2: Switch Module A

Port Type	UI Port #	Speed	VID	VLAN Member AS	VLAN Name	Port Name	STP / ByPass Enabled	Port Trunk
Server	1	10/100 (Auto)	1	Egress	DEFAULT_VLAN	Server1_Port1	Yes	
Server	2	10/100 (Auto)	1	Egress	DEFAULT_VLAN	Server2_Port1	Yes	
Server	3	10/100 (Auto)	1	Egress	DEFAULT_VLAN	Server3_Port1	Yes	
Server	4	10/100 (Auto)	1	Egress	DEFAULT_VLAN	Server4_Port1	Yes	
Server	5	10/100 (Auto)	1	Egress	DEFAULT_VLAN	Server5_Port1	Yes	
Server	6	10/100 (Auto)	1	Egress	DEFAULT_VLAN	Server6_Port1	Yes	
Server	7	10/100 (Auto)	1	Egress	DEFAULT_VLAN	Server7_Port1	Yes	
Server	8	10/100 (Auto)	1	Egress	DEFAULT_VLAN	Server8_Port1	Yes	
Server	9	10/100 (Auto)	1	Egress	DEFAULT_VLAN	Server9_Port1	Yes	
Server	10	10/100 (Auto)	1	Egress	DEFAULT_VLAN	Server10_Port1	Yes	
Server	11	10/100 (Auto)	1	Egress	DEFAULT_VLAN	Server11_Port1	Yes	
Server	12	10/100 (Auto)	1	Egress	DEFAULT_VLAN	Server12_Port1	Yes	
Server	13	10/100 (Auto)	1	Egress	DEFAULT_VLAN	Server13_Port1	Yes	
Server	14	10/100 (Auto)	1	Egress	DEFAULT_VLAN	Server14_Port1	Yes	
Server	15	10/100 (Auto)	1	Egress	DEFAULT_VLAN	Server15_Port1	Yes	
Server	16	10/100 (Auto)	1	Egress	DEFAULT_VLAN	Server16_Port1	Yes	
Server	17	10/100 (Auto)	1	Egress	DEFAULT_VLAN	Server17_Port1	Yes	

continued

Table C-2: Switch Module A *continued*

Port Type	UI Port #	Speed	VID	VLAN Member AS	VLAN Name	Port Name	STP / ByPass Enabled	Port Trunk
Server	18	10/100 (Auto)	1	Egress	DEFAULT_VLAN	Server18_Port1	Yes	
Server	19	10/100 (Auto)	1	Egress	DEFAULT_VLAN	Server19_Port1	Yes	
Server	20	10/100 (Auto)	1	Egress	DEFAULT_VLAN	Server20_Port1	Yes	
X-Connect	21	10/100 (Auto)	1	Egress	DEFAULT_VLAN	XConnect1	No	XConnect
X-Connect	22	10/100 (Auto)	1	Egress	DEFAULT_VLAN	XConnect2	No	XConnect
IA NIC	23	10/100 (Auto)	1	Egress	DEFAULT_VLAN	IA Mgmt Module	Yes	
Mgmt Uplink	24	10/100 (Auto)	1	Egress	DEFAULT_VLAN	Mgmt Uplink	Yes	
D Uplink	25	10/100 /1000 (Auto)	1	Egress	DEFAULT_VLAN	SwitchA_Uplink1	No	
D Uplink	26	10/100 /1000 (Auto)	1	Egress	DEFAULT_VLAN	SwitchA_Uplink2	No	

Table C-3: Switch Module B

Port Type	UI Port #	Speed	VID	VLAN Member AS	VLAN Name	Port Name	STP / ByPass Enabled	Port Trunk
Server	1	10/100 (Auto)	1	Egress	DEFAULT_VLAN	Server1_Port2	Yes	
Server	2	10/100 (Auto)	1	Egress	DEFAULT_VLAN	Server2_Port2	Yes	
Server	3	10/100 (Auto)	1	Egress	DEFAULT_VLAN	Server3_Port2	Yes	
Server	4	10/100 (Auto)	1	Egress	DEFAULT_VLAN	Server4_Port2	Yes	
Server	5	10/100 (Auto)	1	Egress	DEFAULT_VLAN	Server5_Port2	Yes	
Server	6	10/100 (Auto)	1	Egress	DEFAULT_VLAN	Server6_Port2	Yes	
Server	7	10/100 (Auto)	1	Egress	DEFAULT_VLAN	Server7_Port2	Yes	
Server	8	10/100 (Auto)	1	Egress	DEFAULT_VLAN	Server8_Port2	Yes	
Server	9	10/100 (Auto)	1	Egress	DEFAULT_VLAN	Server9_Port2	Yes	
Server	10	10/100 (Auto)	1	Egress	DEFAULT_VLAN	Server10_Port2	Yes	
Server	11	10/100 (Auto)	1	Egress	DEFAULT_VLAN	Server11_Port2	Yes	
Server	12	10/100 (Auto)	1	Egress	DEFAULT_VLAN	Server12_Port2	Yes	
Server	13	10/100 (Auto)	1	Egress	DEFAULT_VLAN	Server13_Port2	Yes	
Server	14	10/100 (Auto)	1	Egress	DEFAULT_VLAN	Server14_Port2	Yes	
Server	15	10/100 (Auto)	1	Egress	DEFAULT_VLAN	Server15_Port2	Yes	
Server	16	10/100 (Auto)	1	Egress	DEFAULT_VLAN	Server16_Port2	Yes	
Server	17	10/100 (Auto)	1	Egress	DEFAULT_VLAN	Server17_Port2	Yes	
Server	18	10/100 (Auto)	1	Egress	DEFAULT_VLAN	Server18_Port2	Yes	

continued

Table C-3: Switch Module B *continued*

Port Type	UI Port #	Speed	VID	VLAN Member AS	VLAN Name	Port Name	STP / ByPass Enabled	Port Trunk
Server	19	10/100 (Auto)	1	Egress	DEFAULT_VLAN	Server19_Port2	Yes	
Server	20	10/100 (Auto)	1	Egress	DEFAULT_VLAN	Server20_Port2	Yes	
X-Connect	21	10/100 (Auto)	1	Egress	DEFAULT_VLAN	XConnect1	No	XConnect
X-Connect	22	10/100 (Auto)	1	Egress	DEFAULT_VLAN	XConnect2	No	XConnect
IA NIC	23	10/100 (Auto)	NA	NA	NA	NA	NA	
Mgmt Uplink	24	10/100 (Auto)	NA	NA	NA	NA	NA	
D Uplink	25	10/100 /1000 (Auto)	1	Egress	DEFAULT_VLAN	SwitchB_Uplink1	No	
D Uplink	26	10/100 /1000 (Auto)	1	Egress	DEFAULT_VLAN	SwitchB_Uplink2	No	

Spanning Tree Protocol

Introduction

When Spanning Tree Protocol determines a port should be transitioned to the forwarding state, the following occurs:

- The port is put into the listening state where it receives Bridge Protocol Data Units (BPDUs) and passes them to the GbE Interconnect Switch's CPU.
- If no BPDUs that suggest the port should go to the blocking state are received, the BPDU packets from the CPU are processed
 - The port waits for the expiration of the forward delay timer. The port then moves to the learning state.
 - In the learning state, the port learns station location information from the source address of packets and adds this information to its forwarding database.
 - The expiration of the forwarding delay timer moves the port to the forwarding state, where both learning and forwarding are enabled. At this point, the port forwards packets.

Blocking State

A port in the blocking state does not forward packets. When the switch is booted, a BPDU is sent to each port in the switch putting these ports into the blocking state. A switch initially assumes it is the root, and then begins the exchange of BPDUs with other switches. This will determine which switch in the network is the best choice for the root switch. If there is only one switch on the network, no BPDU exchange occurs, the forward delay timer expires, and the ports move to the listening state. All STP enabled ports enter the blocking state following switch boot.

A port in the blocking state does the following:

- Discards packets received from the network segment to which it is attached.
- Discards packets sent from another port on the switch for forwarding.
- Does not add addresses to its forwarding database.
- Receives BPDUs and directs them to the CPU.

- Does not transmit BPDUs received from the CPU.
- Receives and responds to network management messages.

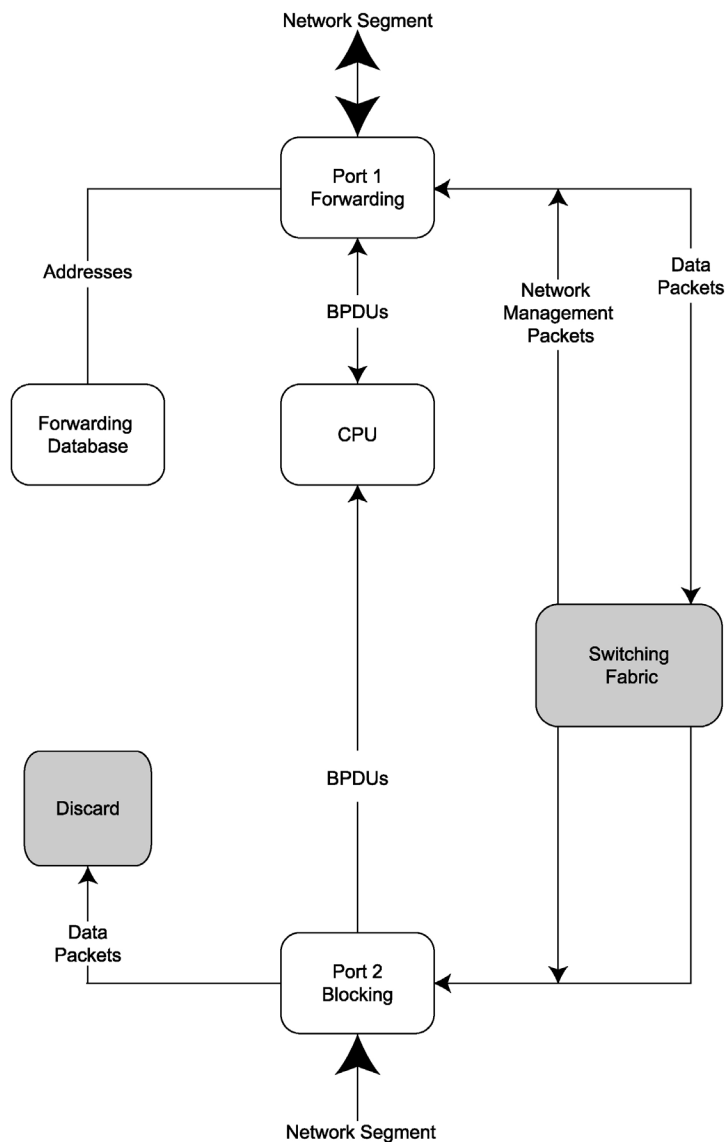


Figure D-1: Blocking State

Listening State

The listening state is the first transition for a port from the blocking state. Listening is an opportunity for the switch to receive BPDUs that may tell the switch that the port should not continue to transition to the forwarding state, but should return to the blocking state (that is, a different port is a better choice).

There is no address learning or packet forwarding from a port in the listening state.

A port in the listening state does the following:

- Discards frames received from the network segment to which it is attached.
- Discards packets sent from another port on the switch for forwarding.
- Does not add addresses to its forwarding database.
- Receives BPDUs and directs them to the CPU.
- Processes BPDUs received from the CPU.
- Receives and responds to network management messages.

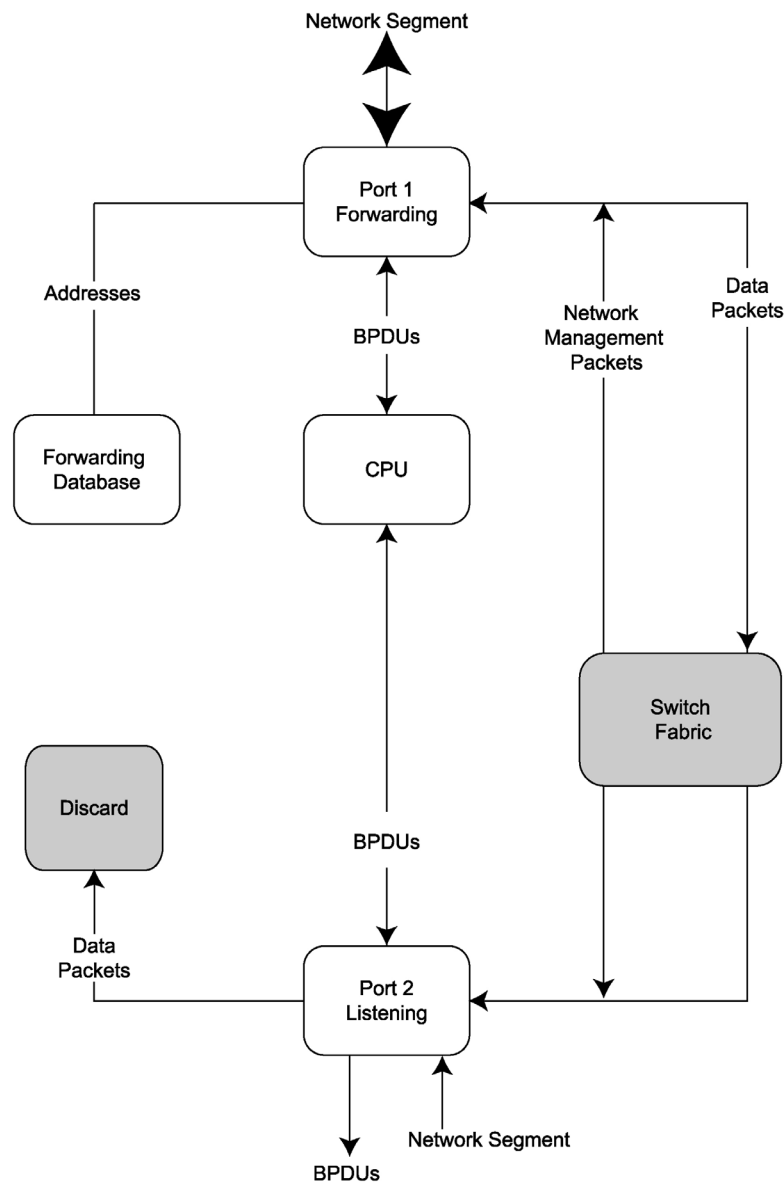


Figure D-2: Listening State

Learning State

A port in the learning state prepares to participate in frame forwarding. The port enters the learning state from the listening state.

A port in the learning state does the following:

- Discards frames received from the network segment to which it is attached.
- Discards packets sent from another port on the switch for forwarding.
- Adds addresses to its forwarding database.
- Receives BPDUs and directs them to the CPU.
- Processes and transmits BPDUs received from the CPU.
- Receives and responds to network management messages.

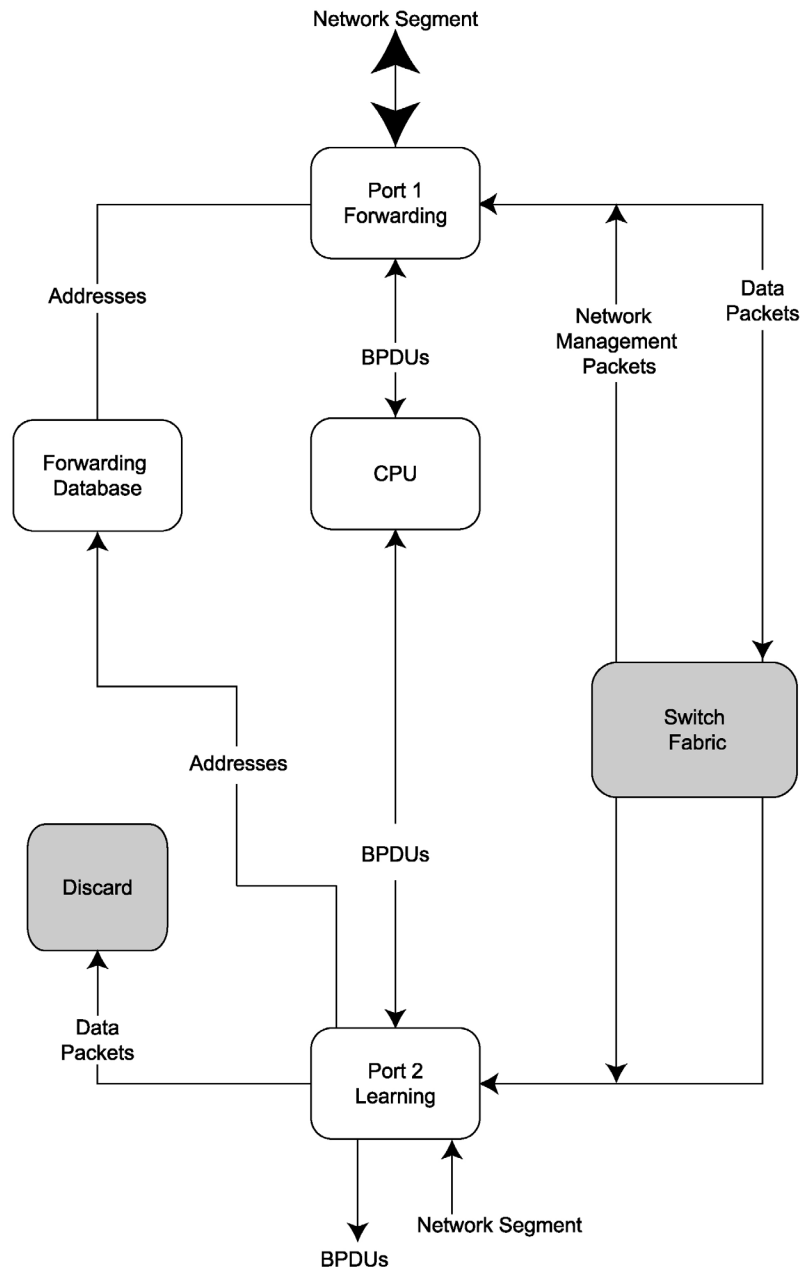


Figure D-3: Learning State

Forwarding State

A port in the forwarding state forwards packets. The port enters the forwarding state from the learning state when the forward delay timer expires.

A port in the forwarding state does the following:

- Forwards packets received from the network segment to which it is attached.
- Forwards packets sent from another port on the switch for forwarding.
- Incorporates station location information into its address database.
- Receives BPDUs and directs them to the system CPU.
- Receives and responds to network management messages.

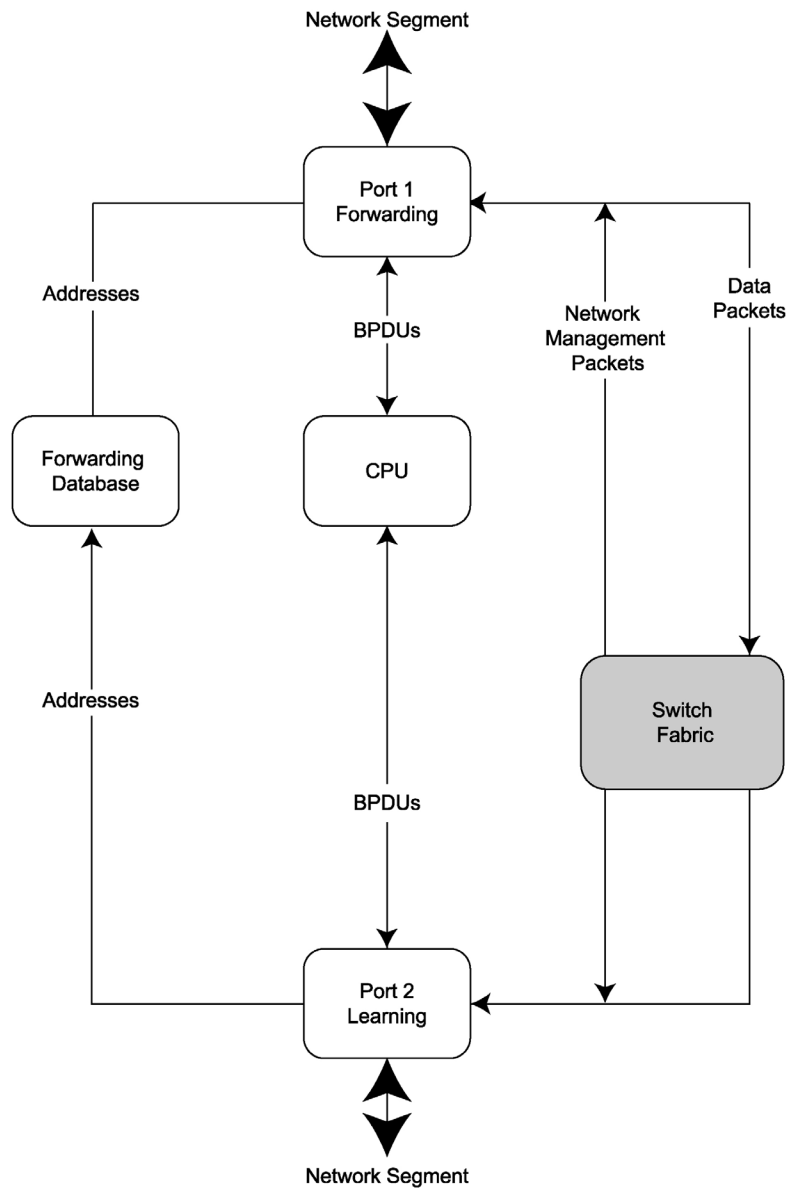


Figure D-4: Forwarding State

Disabled State

A port in the disabled state does not participate in frame forwarding or STP. A port in the disabled state is virtually non-operational.

A disabled port does the following:

- Discards packets received from the network segment to which it is attached.
- Discards packets sent from another port on the switch for forwarding.
- Does not add addresses to its forwarding database.
- Receives BPDUs, but does not direct them to the system CPU.
- Does not receive BPDUs for transmission from the system CPU.
- Receives and responds to network management messages.

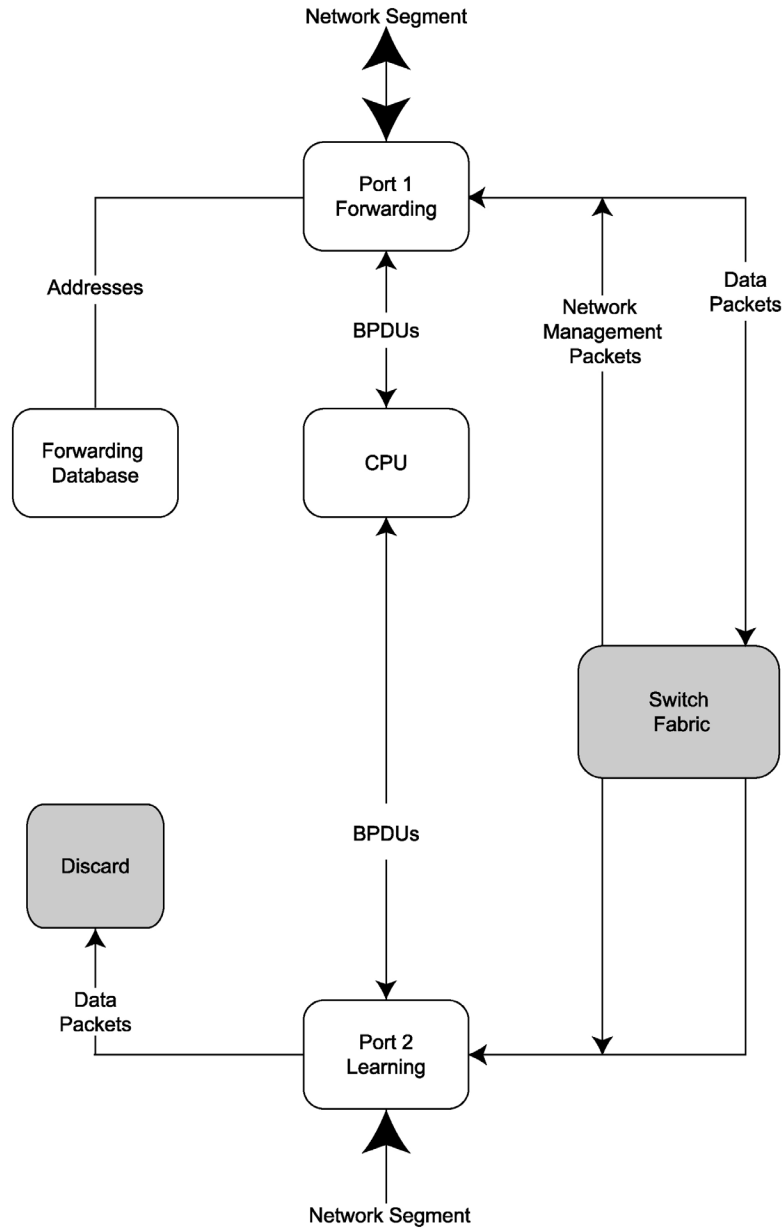


Figure D-5: Disabled State

Troubleshooting STP

This section describes several troubleshooting tips.

Spanning Tree Protocol Failure

A failure in the STP generally leads to a bridging loop. A bridging loop in an STP environment comes from a port that should be in the blocking state, but is forwarding packets.

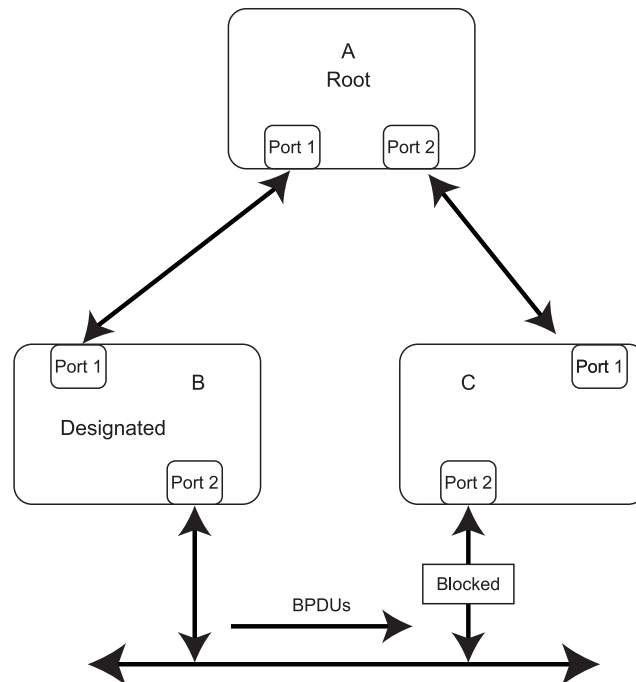


Figure D-6: Example of Spanning Tree Protocol failure

In this example, B has been elected as the designated bridge, and Port 2 on C is in the blocking state. The election of B as the designated bridge is determined by the exchange of BPDUs between B and C. B had a better BPDU than C. B continues sending BPDUs advertising its superiority over the other bridges on this LAN. Should C fail to receive these BPDUs for longer than the max age (default of 20 seconds), it could start to transition its Port 2 from the blocking state to the forwarding state.

NOTE: A port must continue to receive BPDUs advertising superior paths to remain in the blocking state.

There are a number of circumstances in which STP can fail, mostly related to the loss of a large number of BPDUs. These situations will cause a port in the blocking state to transition to the forwarding state.

Full/Half Duplex Mismatch

A mismatch in the duplex state of two ports is a very common configuration error for a point-to-point link. If one port is configured as full-duplex, and the other port is left in auto-negotiation mode, the second port will end up in half-duplex because ports configured as half- or full-duplex do not negotiate.

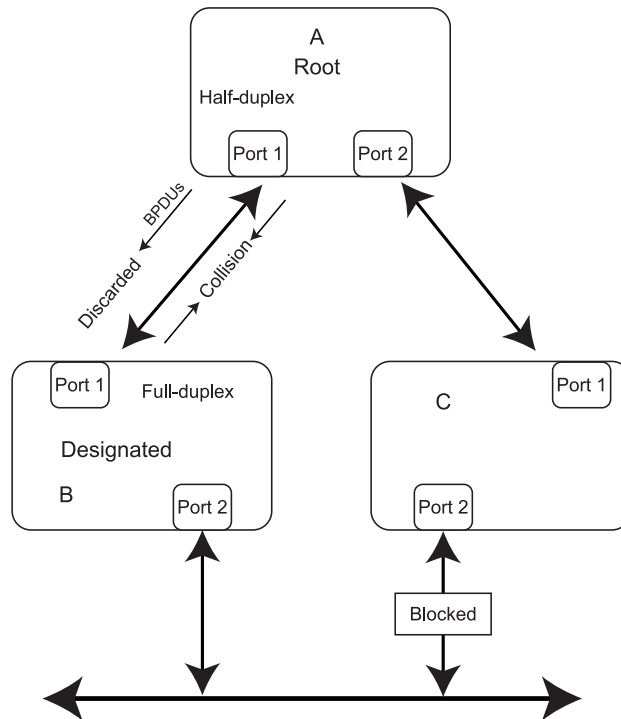


Figure D-7: Example of full/half duplex mismatch

In the above example, Port 1 on B is configured as a full-duplex port, and Port 1 on A is either configured as a half-duplex port, or left in auto-negotiation mode. Because Port 1 on B is configured as a full-duplex port, it does not perform the carrier sense when accessing the link. B will then start sending packets even if A is using the link. A will then detect collisions and begin to run the flow control algorithm. If there is enough traffic between B and A, all packets (including BPDUs) will be dropped. If the BPDUs sent from A to B are dropped for longer than the max age, B will lose its connection to the root (A) and will unblock its connection to C. This will lead to a data loop.

Unidirectional Link

Unidirectional links can be caused by an undetected failure in one side of a fiber cable, or a problem with a ports transceiver. Any failure that allows a link to remain up while providing one-way communication is very dangerous for STP.

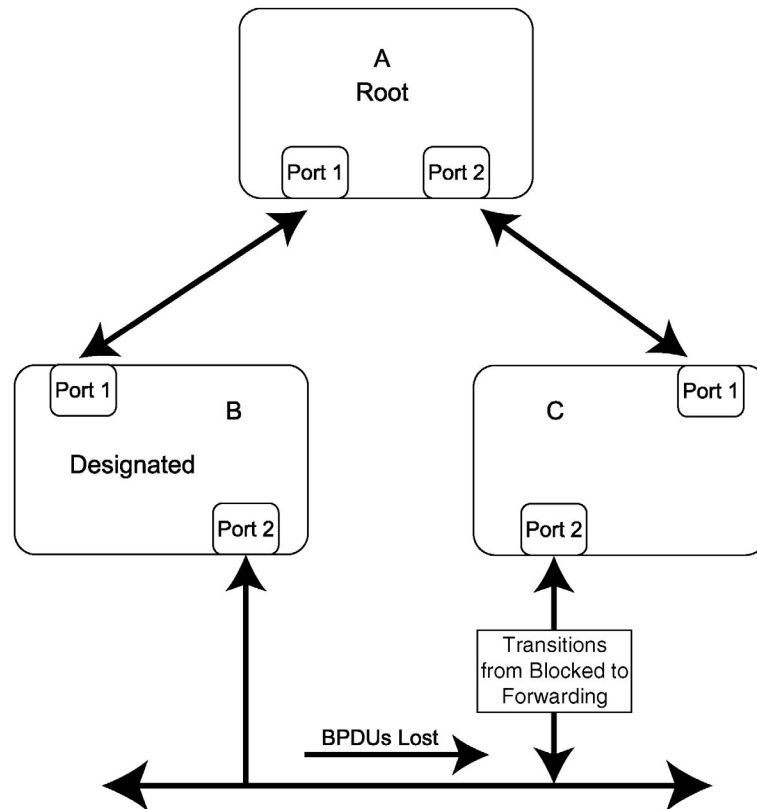


Figure D-8: Example unidirectional link

In this example, Port 2 on B can receive but not transmit packets. Port 2 on C should be in the blocking state, but since it can no longer receive BPDUs from Port 2 on B, it will transition to the forwarding state. If the failure exists at boot, STP will not converge and rebooting the bridges will have no effect.

This type of failure is difficult to detect because the link-state LEDs for Ethernet links rely on the transmit side of the cable to detect a link. If a unidirectional failure on a link is suspected, it is usually required to go to the console or other management software and look at the packets received and transmitted for the port. For example, a unidirectional port will have many packets transmitted but none received, or vice versa.

Packet Corruption

Packet corruption can also lead to Spanning Tree Protocol failure. If a link is experiencing a high rate of physical errors, a large number of consecutive BPDUs can be dropped and a port in the blocking state would transition to the forwarding state. The blocking port would have to have the BPDUs are dropped for 50 seconds (at the default settings) and a single BPDU would reset the timer. If the max age is set too low, this time is reduced.

Resource Errors

The ProLiant BL e-Class C-GbE Interconnect Switch performs its switching and routing functions primarily in hardware, using specialized ASICs. STP is implemented in software and is thus reliant upon the speed of the CPU and other factors in order to converge. If the CPU is over-utilized, it is possible that BPDUs may not be sent in a timely fashion. STP is generally not very CPU intensive and is given priority over other processes, so this type of error is rare.

Very low values for the max age and the forward delay can result in an unstable Spanning Tree. The loss of BPDUs can lead to data loops. The diameter of the network can also cause problems. The default values for STP give a maximum network diameter of about seven hops. This means that two switches in the network cannot be more than seven hops apart. Part of this diameter restriction is the BPDU age field. As BPDUs are propagated from the root bridge to the leaves of the spanning tree, each bridge increments the age field. When this field is beyond the maximum age, the packet is discarded. For large diameter networks, STP convergence can be very slow.

Identifying a Data Loop

Broadcast storms have a very similar effect on the network to data loops, but broadcast storm controls in modern switches (along with subnetting and other network practices) have been very effective in controlling broadcast storms. The best way to determine if a data loop exists is to capture traffic on a saturated link and check if similar packets are seen multiple times.

Generally, if all the users of a given domain are having trouble connecting to the network at the same time, a data loop can be suspected. The port utilization data in the switch's console will give unusually high values in this case.

The priority for most cases is to restore connectivity as soon as possible. The simplest remedy is to manually disable all of the ports that provide redundant links. Disabling ports one at a time, and then checking for a restoration of the user's connectivity will identify the link that is causing the problem, if time allows. Connectivity will be restored immediately after disabling a data loop.

Avoiding Trouble

Below are some tips for avoiding trouble.

Know Where the Root is Located

Although the STP can elect a root bridge, a well-designed network will have an identifiable root for each VLAN. Careful setup of the STP parameters will lead to the selection of this best interconnect switch as the root for each VLAN. Redundant links can then be built into the network. STP is well suited to maintaining connectivity in the event of a device failure or removal, but is poorly suited to designing networks.

Know Which Links are Redundant

Organize the redundant links and tune the port cost parameter of STP to force those ports to be in the blocking state.

For each VLAN, know which ports should be blocking in a stable network. A network diagram that shows each physical loop in the network and the ports that break each loop is extremely helpful.

Minimize the Number of Ports in the Blocking State

A single blocking port transitioning to the forwarding state at an inappropriate time can cause a large part of a network to fail. Limiting the number of blocked ports helps to limit the risk of an inappropriate transition.

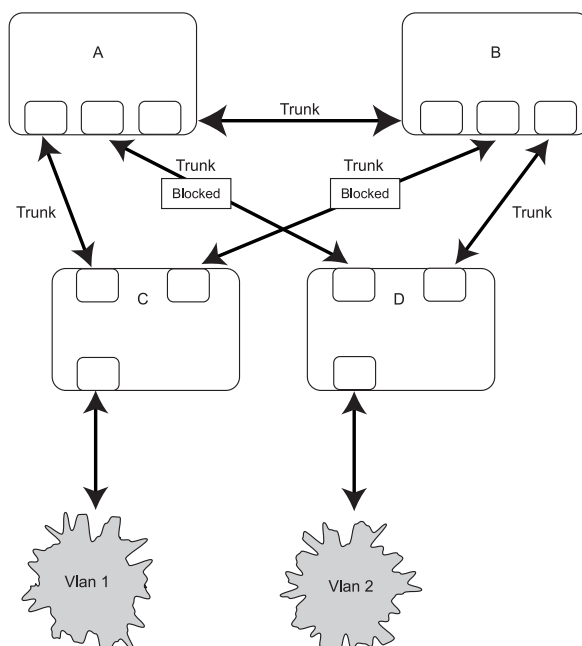


Figure D-9: Example 1: A common network design

The above graphic is an example of a common network design. The switches C and D have redundant links to the backbone switches A and B using trunks. Trunks, by default, carry all the VLAN traffic from VLAN 1 and VLAN 2. So switch C is not only receiving traffic for VLAN 1, but it is also receiving unnecessary broadcast and multicast traffic for VLAN 2. It is also blocking one port for VLAN 2. Thus, there are three redundant paths between switches A and B and two blocked ports per VLAN. This increases the chance of a data loop.

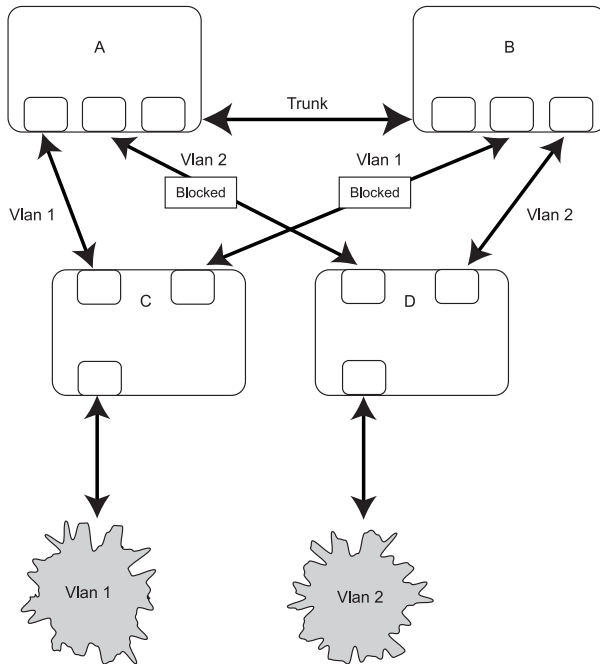


Figure D-10: Example 2: A common network design

In this example, the VLAN definitions are extended to switches A and B. This gives only a single blocked port per VLAN and allows the removal of all redundant links by removing switch A or B from the network.

SNMP/RMON MIBs Support

Introduction

Management and statistics information is stored in the interconnect switch in the Management Information Base (MIB). The interconnect switch supports several standard MIBs. Values for MIB objects can be retrieved with any SNMP-based network management software.

In addition to the standard MIBs, the switch also supports its own proprietary enterprise MIB as an extended Management Information Base. The proprietary MIB is retrieved by specifying the MIB Object-Identifier (OID) at the network manager station.

MIB values can be either read-only or read/write variables.

- Read-only MIB variables can be constants that are programmed into the switch or variables that change while the switch is in operation. Examples of read-only constants include the number and types of ports. Examples of read-only variables are the statistics counters, such as the number of errors that have occurred or how many kilobytes of data have been received and forwarded through a port.
- Read/write MIB variables are usually related to user-customized configurations. Examples include the IP address of the switch, Spanning Tree Algorithm parameters, and port status.

SNMP Manager Software

If you use third-party vendor SNMP software to manage the switch, you can access proprietary enterprise MIBs for the switch. The MIBs can be found on the ProLiant BL e-Class C-GbE Interconnect Switch Management System Utilities and User Documentation CD or with the interconnect switch utilities on the following website:

www.compaq.com/support/servers

If your software provides functions to browse or modify MIBs, you can also change the MIB values (if the MIB attributes permit the write operation). This process can be quite involved, however, because you must know the MIB OIDs and retrieve them one by one.

Use an SNMP manager, such as HP OpenView or IBM Tivoli NetView, to access the enterprise-specific MIBs. Compile the MIBs into the MIB database and then use a MIB browser to navigate through them. For detailed information, access the individual descriptions of each MIB or refer to the documentation that came with your SNMP manager software.

Standard MIBs

The SNMP agent for the switch supports the following standard MIBs:

- Bridge MIB (RFC 1493)
- MIB-II (RFC 1213)
- Mini-RMON MIB (RFC 1757)—Groups 1 (Statistics), 2 (History), 3 (Alarm), and 9 (Event)
- 802.1p MIB (RFC 2674)
- 802.1q MIB (RFC 2674)
- Entity MIB (RFC 2737)
- IF-MIB (RFC 2233)
- Ethernet-like MIB (RFC 2358)—dot3StatsTable

Enterprise-Specific MIBs

The SNMP agent for the switch supports the following enterprise-specific MIBs:

- cpqAgent.mib
 - agentBasicInfo—Basic information for the switch
 - agentBasicConfig—Basic configuration management
 - agentIpProtoConfig—IP-related configuration management
 - agentIpTrapManager—Setting of the trap manager IP
- cpql2mgt.mib
 - swPortTrunkPackage—Management of the port trunk function
 - swPortMirrorPackage—Management of the port mirroring function
 - swIGMPPackage—Management of the IGMP function

- vesubio.mib
 - swL2BwMgmt—Management of the ingress and egress bandwidth
 - swL2CosMgmt—Management of Class of Service
 - swL2PortSecurityMgmt—Management of port security
 - dswL2DevMgmt—Management of device advanced settings
 - swL2PortMgmt—Management of the port link
- CIMTRAPS.mib—Redefining of the entConfigChange trap in SNMP

SNMP Traps

The interconnect switch may generate the following SNMP traps (event notifications). Refer to the MIBs for detailed information.

- coldStart
- warmStart
- authenticationFailure
- topologyChange
- newRoot
- linkDown
- linkUp
- entConfigChange
- switchFirmwareTransferred
- switchConfigFileTransferred
- switchTFTPTransferSucceeded
- switchTFTPTransferFailed
- switchFileInvalid
- switchFanFailed
- switchFanOk
- switchTempSensorDegraded
- switchTempSensorFailed
- switchTempSensorOk

- switchPostSuccess
- switchLoginFailure
- switchLocationChange
- switchCubeTypeChange
- switchSNTPServiceUnavailable

Upgrading Firmware through the Serial Port

You can upgrade the system firmware of a switch module by connecting your computer to the serial console port of the Integrated Administrator and using terminal emulation software that supports the ZModem or XModem protocol. This procedure is only necessary if your interconnect switch does not have access to a TFTP server, or if the firmware procedure was previously interrupted and the switch module is not booting properly.

To download a firmware file to a switch module and change the external console port baud rate:

1. From a PC using Microsoft® Windows® HyperTerminal or any other terminal emulation program, connect to the serial console interface on the switch module at 9600 baud.

NOTE: For information on how to connect to the switch module menu-driven interface, refer to the section “Connecting to the Switch Modules” in the menu-driven interface reference guide.

2. Reboot the switch module by using the **Reboot** menu option, or by pressing the connection escape keys (usually **Ctrl+Shift+_**) and accessing the Integrated Administrator **Reboot Switch** option. The boot procedure runs the Power-On Self-Test (POST) and a screen similar to the following is displayed.

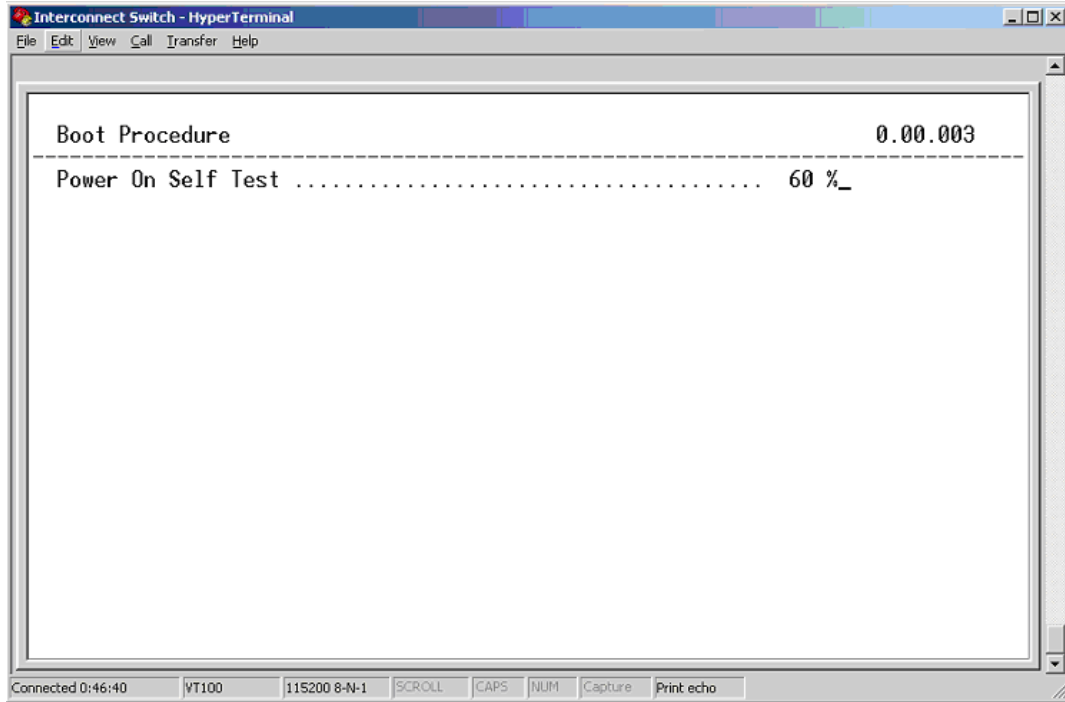


Figure F-1: POST message

3. Press the **pound (#)** key as soon as you see the **Boot Procedure** header. This action forces the switch module into the download mode. A screen similar to the following is displayed.

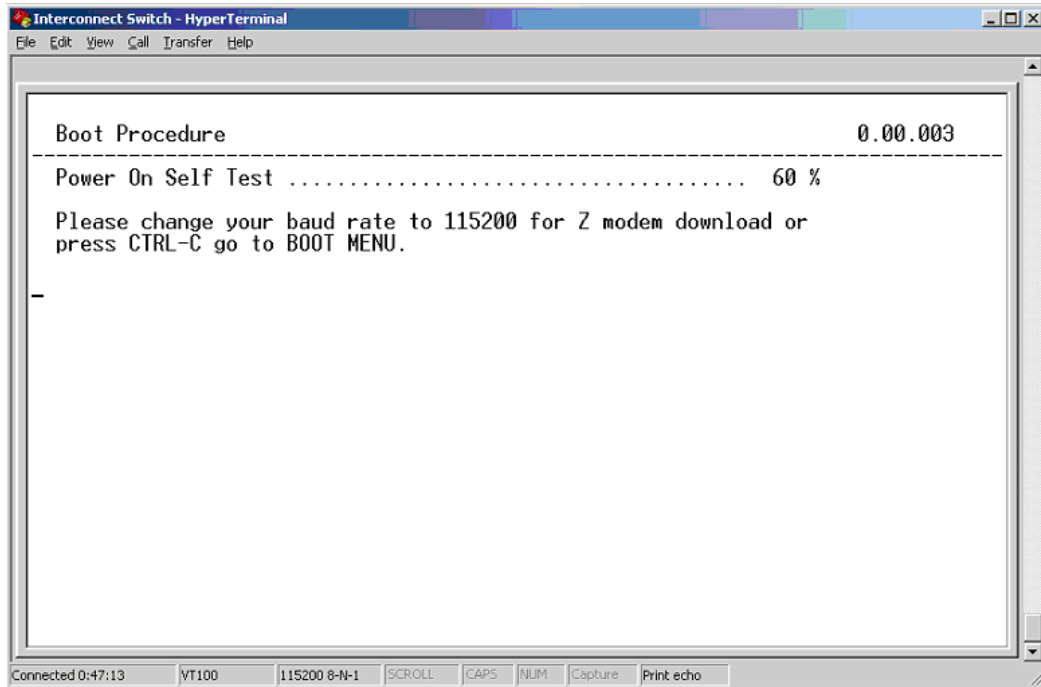


Figure F-2: Download mode message

4. Configure the download protocol (ZModem or XModem) or use the default boot configuration settings.
 - a. Within 60-90 seconds, press the **Ctrl+C** keys to display the **Boot Configuration Menu**.
 - b. To use the default boot configuration settings, go to step 9.

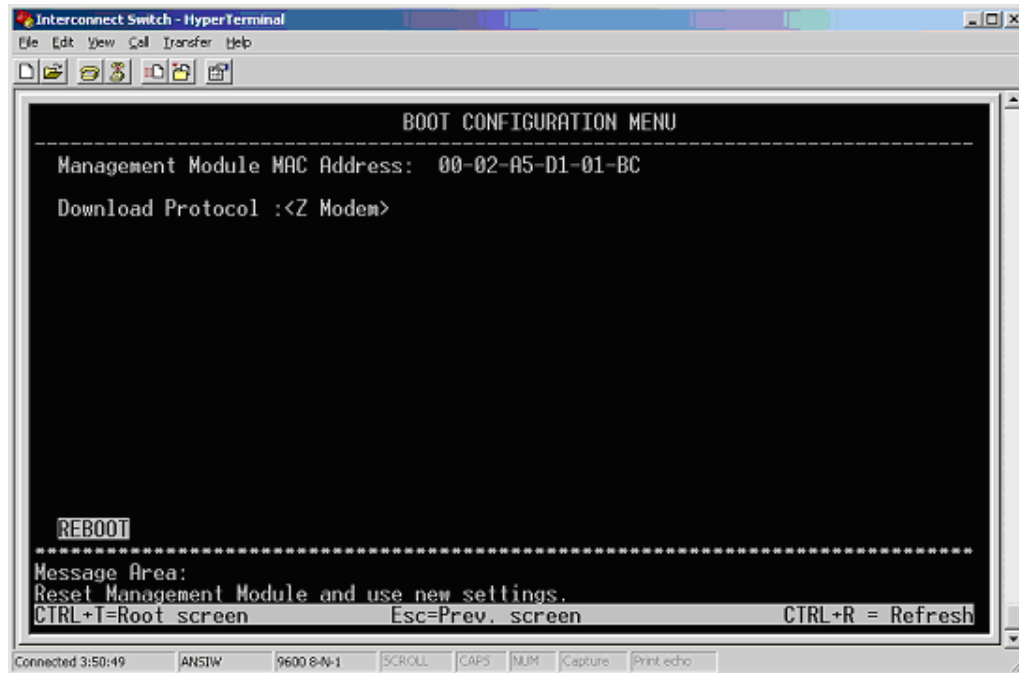


Figure F-3: Boot Configuration menu

5. Select **XModem** or **ZModem** as the download protocol.
6. Highlight **Reboot**.
7. Press the **Enter** key. The switch module reboots.

8. While the switch module is rebooting, press the **pound (#)** key again to force the switch module into download mode. The download mode message is displayed. (Refer to Figure F-2.)

NOTE: For faster transfers, you may want to change the speed of your console connection from 9600 to 115200. If you continue to transfer at 9600, go to step 13.

9. Press the Integrated Administrator escape character **<Ctrl>_**. The following Integrated Administrator connect menu is displayed:

```
-----  
Command: D)isconnect, C)hange settings, R)eboot Switch, E)xit  
command mode >  
-----
```

10. Press the following keys in sequence to change the settings: **C L C B I**

Your screen displays the following lines:

```
-----  
Command: D)isconnect, C)hange settings, R)eboot Switch, E)xit  
command mode > C  
  
Change settings for: L)ocal Session, R)emote Port [Switch B],  
E)xit > L  
  
Change Local: C)ommunication Settings, D)isable Escape Character,  
E)xit > C  
  
Settings: B)audrate; flow control: N)one H)ardware S)oftware;  
E)xit > B  
  
Baud: A)1200 B)2400 C)4800 D)9600 F)19200 G)38400 H)57600  
I)115200; E)xit > I  
  
All communication setting changes are only temporary, and defaults  
are restored at exit.  
-----
```

11. Change your local speed to 115200, and press the **Enter** key to continue.
12. Change the baud rate of your HyperTerminal session, and press the **Enter** key.

After the switch module is in the download mode and the baud rates are configured properly, a connection-established message is displayed.

IMPORTANT: If the following screen displays nonsense characters, then a mismatched baud rate configuration has occurred. Check HyperTerminal to see if the baud rate setting on the switch module console interface and the HyperTerminal are mismatched.

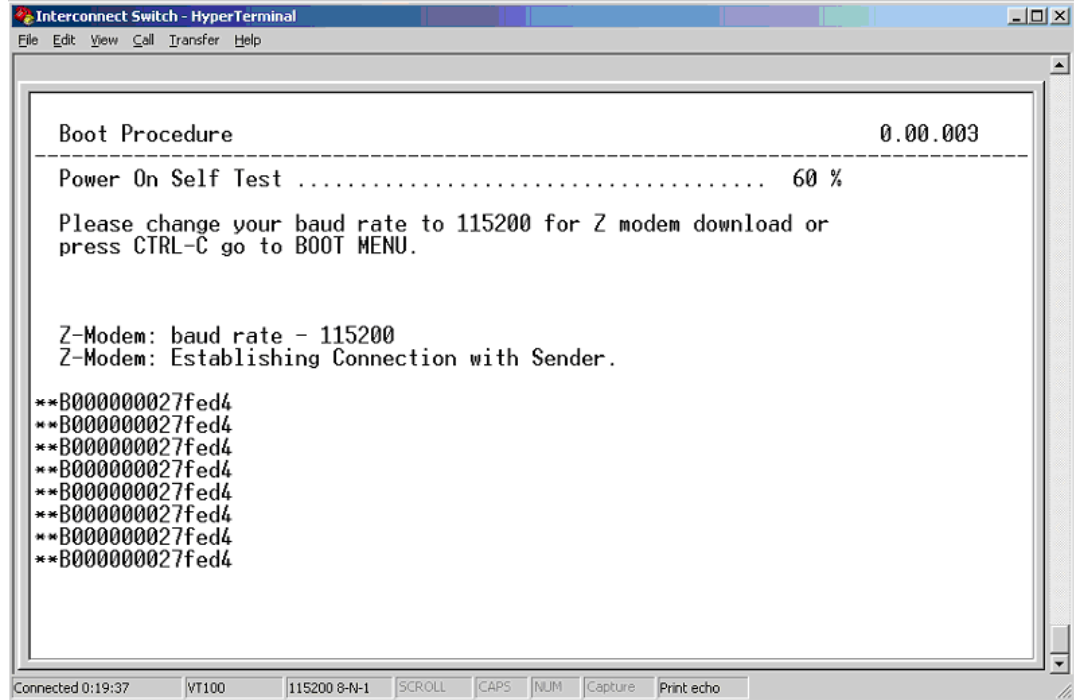


Figure F-4: Connection-established message

- Before beginning the ZModem transfer, disable the Integrated Administrator escape character to ensure a transparent connection for the file transfer. To disable this character, press the following keys:

Ctrl+_ C L D

Your screen displays the following lines:

```
-----
Command: D)isconnect, C)hange settings, R)eboot Switch, E)xit
command mode > C
Change settings for: L)ocal Session, R)emote Port [Switch B],
E)xit >L
Change Local: C)ommunication Settings, D)isable Escape Character,
E)xit > D
```

The Escape Character <Ctrl>_ is now disabled. To re-enable it, you must press <Ctrl>_ twelve times in sequence.

Press [Enter] to continue:

- Press the **Enter** key to continue.

15. From the **Interconnect Switch HyperTerminal** window menu, select **Transfer**, then **Send File**. The following window is displayed.

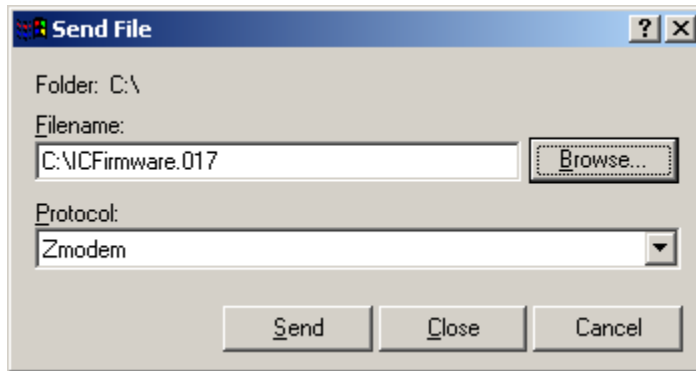


Figure F-5: Send File window

16. Click **Browse** and select the firmware file to be downloaded to the switch module.
17. Select the download protocol from the drop-down menu.
18. Press **Send** to start the download process. The following screen is displayed.

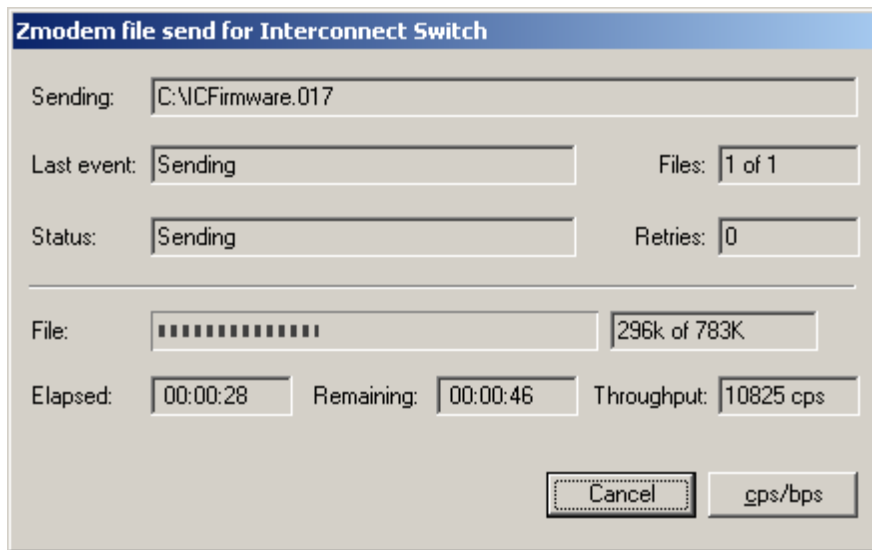


Figure F-6: ZModem file send for Interconnect Switch window

After the firmware file transfer is complete, a download-completed message is displayed. Then, the interconnect login screen is displayed.

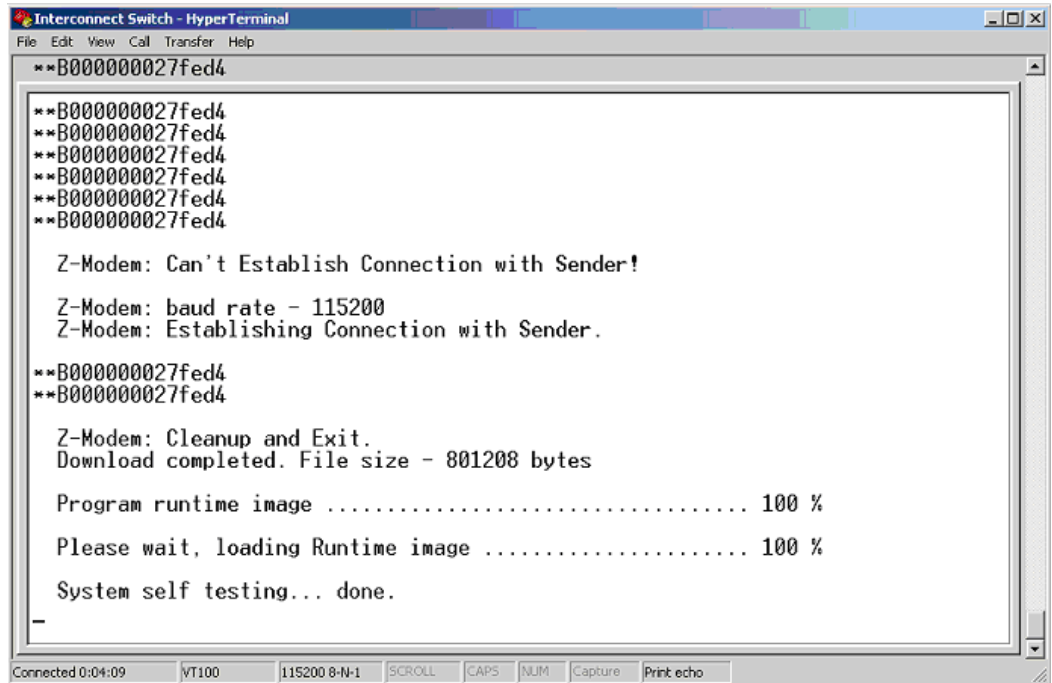


Figure F-7: Download-completed message

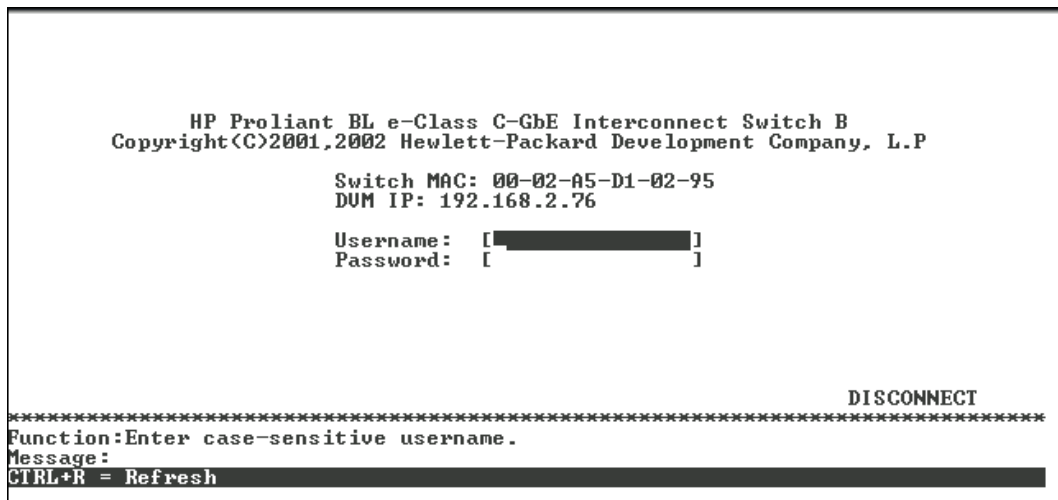


Figure F-8: ProLiant BL e-Class C-GbE Interconnect Switch login screen

19. Close your connection with the Integrated Administrator, which will reset the Integrated Administrator console port to 9600 baud (if you changed the speed previously).

20. Press **Ctrl+_** twelve times in sequence to re-enable the escape character. The following text is displayed:

```
-----  
Command: D)isconnect, C)hange settings, R)eboot Switch, E)xit  
command mode  
-----
```

21. Press **D** to disconnect your session. If you changed the speed previously, you must reset your terminal to 9600 baud to continue. The following text is displayed:

```
-----  
Command: D)isconnect, C)hange settings, R)eboot Switch, E)xit  
command mode > D  
The console speed is being set back to 9600 bps.  
Change your local speed back to 9600 and press [Enter] to continue  
-----
```

22. Press **Enter** to close your connection to the switch module.

Port Trunking and Load Balancing in Blade Switches

Introduction

IEEE 802.3ad and EtherChannel compatible port trunks allow multiple physical Ethernet links to be combined into one logical channel/trunk. This allows load sharing of traffic among the links in the port trunk as well as redundancy in the event that one or more links in the port trunk should fail. Port trunks can be used to interconnect local-area network (LAN) switches, routers, servers, and clients via unshielded twisted-pair (UTP) wiring or single-mode and multi-mode fiber.

A port trunk aggregates the bandwidth of up to eight compatibly configured ports into a single logical link. Blade switches support a maximum of six port trunks. All Ethernet ports support port trunks with no requirement that the ports be contiguous, but do require that they must be the same speed.

NOTE: Dynamic Link Aggregation Control Protocol (LACP) is not supported.

Load Balancing: Determining which Link to Send Traffic Across

The load-balancing policy (frame distribution) can be based on MAC address (Layer 2). You can configure these frame distribution policies to be based on source MAC address (SA), destination MAC address (DA), or both source and destination MAC addresses (SA XOR DA) in the frame to be forwarded across the port trunk.

A port trunk distributes frames across the links by reducing the last three lower order bits of the binary pattern formed from the MAC addresses in the frame to a numerical value. In addition, the port trunk calculates the modulus of that numerical value against the number of available links in that port trunk, to determine which one of the links to send traffic across. IEEE 802.3ad/Port trunk frame distribution policies are based on hashing algorithms that use formulas mentioned below with examples. The algorithm is deterministic; given the same addresses and session information, you always hash to the same port in the port trunk, preventing out-of-order packet delivery.

The selected mode applies to all port trunks configured on the switch. Use the option that provides the greatest variety in your configuration.

For example, if the traffic on a port trunk is going only to a single MAC address, using the destination MAC address always chooses the same link in the port trunk; using the source addresses or IP addresses might result in better load balancing.

Circumstances can occur where one address in the source/destination pair is a constant. For example, the destination might be a server or, even more likely, a router. In that case, if both the source address and destination address option is selected, you will still see statistical load balancing, because the source address is always different.

Default Settings for Load Balancing

The default for the interconnect switch is to use the source MAC address-based load balancing. This means that all packets the switch receives on a non-trunk port with the same source MAC address (SA), and that are destined to MAC addresses on the other side of the port trunk, will use the same link in the port trunk. Source-based forwarding should be used when many stations attached to the switch are sending to a few stations (such as a single router) on the other side of the port trunk. This better distributes traffic across all links in the port trunk.

Also, switches maintain a notion of a "primary" port on which to transmit traffic such as Spanning Tree Protocol, multicasts, and unknown unicasts. The properties of this primary port determine the properties of how the port trunk works with features like Spanning Tree, VLAN, multicasting, and so on.

By default, XConnects between Switch A and Switch B in the chassis form a port trunk "XConnect" with two links, as shown in the following figure.

Port Trunking Settings																													
ID	Name	Port Number																										Status	Active
		1	2	3	4	5	6	7	8	9	10	11	12	13	14	15	16	17	18	19	20	21	22	23	24	25	26		
1	XConnect	<input type="checkbox"/>	<input type="checkbox"/>	<input type="checkbox"/>	<input type="checkbox"/>	<input type="checkbox"/>	<input type="checkbox"/>	<input type="checkbox"/>	<input type="checkbox"/>	<input type="checkbox"/>	<input type="checkbox"/>	<input type="checkbox"/>	<input type="checkbox"/>	<input type="checkbox"/>	<input type="checkbox"/>	<input type="checkbox"/>	<input type="checkbox"/>	<input type="checkbox"/>	<input type="checkbox"/>	<input type="checkbox"/>	<input type="checkbox"/>	<input checked="" type="checkbox"/>	<input checked="" type="checkbox"/>	<input type="checkbox"/>	<input type="checkbox"/>	<input type="checkbox"/>	<input type="checkbox"/>	Enabled	Apply
2		<input type="checkbox"/>	<input type="checkbox"/>	<input type="checkbox"/>	<input type="checkbox"/>	<input type="checkbox"/>	<input type="checkbox"/>	<input type="checkbox"/>	<input type="checkbox"/>	<input type="checkbox"/>	<input type="checkbox"/>	<input type="checkbox"/>	<input type="checkbox"/>	<input type="checkbox"/>	<input type="checkbox"/>	<input type="checkbox"/>	<input type="checkbox"/>	<input type="checkbox"/>	<input type="checkbox"/>	<input type="checkbox"/>	<input type="checkbox"/>	<input type="checkbox"/>	<input type="checkbox"/>	<input type="checkbox"/>	<input type="checkbox"/>	<input type="checkbox"/>	<input type="checkbox"/>	Disabled	Apply
3		<input type="checkbox"/>	<input type="checkbox"/>	<input type="checkbox"/>	<input type="checkbox"/>	<input type="checkbox"/>	<input type="checkbox"/>	<input type="checkbox"/>	<input type="checkbox"/>	<input type="checkbox"/>	<input type="checkbox"/>	<input type="checkbox"/>	<input type="checkbox"/>	<input type="checkbox"/>	<input type="checkbox"/>	<input type="checkbox"/>	<input type="checkbox"/>	<input type="checkbox"/>	<input type="checkbox"/>	<input type="checkbox"/>	<input type="checkbox"/>	<input type="checkbox"/>	<input type="checkbox"/>	<input type="checkbox"/>	<input type="checkbox"/>	<input type="checkbox"/>	<input type="checkbox"/>	Disabled	Apply
4		<input type="checkbox"/>	<input type="checkbox"/>	<input type="checkbox"/>	<input type="checkbox"/>	<input type="checkbox"/>	<input type="checkbox"/>	<input type="checkbox"/>	<input type="checkbox"/>	<input type="checkbox"/>	<input type="checkbox"/>	<input type="checkbox"/>	<input type="checkbox"/>	<input type="checkbox"/>	<input type="checkbox"/>	<input type="checkbox"/>	<input type="checkbox"/>	<input type="checkbox"/>	<input type="checkbox"/>	<input type="checkbox"/>	<input type="checkbox"/>	<input type="checkbox"/>	<input type="checkbox"/>	<input type="checkbox"/>	<input type="checkbox"/>	<input type="checkbox"/>	<input type="checkbox"/>	Disabled	Apply
5		<input type="checkbox"/>	<input type="checkbox"/>	<input type="checkbox"/>	<input type="checkbox"/>	<input type="checkbox"/>	<input type="checkbox"/>	<input type="checkbox"/>	<input type="checkbox"/>	<input type="checkbox"/>	<input type="checkbox"/>	<input type="checkbox"/>	<input type="checkbox"/>	<input type="checkbox"/>	<input type="checkbox"/>	<input type="checkbox"/>	<input type="checkbox"/>	<input type="checkbox"/>	<input type="checkbox"/>	<input type="checkbox"/>	<input type="checkbox"/>	<input type="checkbox"/>	<input type="checkbox"/>	<input type="checkbox"/>	<input type="checkbox"/>	<input type="checkbox"/>	<input type="checkbox"/>	Disabled	Apply
6		<input type="checkbox"/>	<input type="checkbox"/>	<input type="checkbox"/>	<input type="checkbox"/>	<input type="checkbox"/>	<input type="checkbox"/>	<input type="checkbox"/>	<input type="checkbox"/>	<input type="checkbox"/>	<input type="checkbox"/>	<input type="checkbox"/>	<input type="checkbox"/>	<input type="checkbox"/>	<input type="checkbox"/>	<input type="checkbox"/>	<input type="checkbox"/>	<input type="checkbox"/>	<input type="checkbox"/>	<input type="checkbox"/>	<input type="checkbox"/>	<input type="checkbox"/>	<input type="checkbox"/>	<input type="checkbox"/>	<input type="checkbox"/>	<input type="checkbox"/>	<input type="checkbox"/>	Disabled	Apply

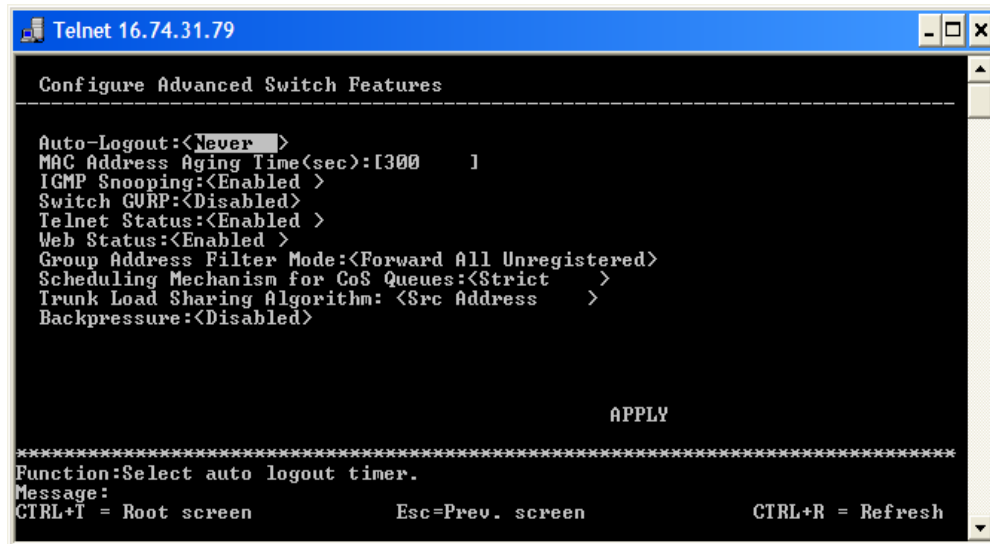
Note: It is only valid to set up at most 8 member ports of any one trunk group and a port can be a member of only one trunk group at a time.

With source-MAC address forwarding, when packets are forwarded to a port trunk, they are distributed across the ports in the port trunk based on the source-MAC address (SA) of the incoming packet. Therefore, to provide load balancing, packets from different hosts use different ports in the port trunk, but packets from the same host use the same port in the port trunk.

With destination-MAC address forwarding, when packets are forwarded to a port trunk, they are distributed across the ports in the port trunk based on the destination host's MAC address (DA) of the incoming packet. Therefore, packets to the same destination are forwarded over the same port, and packets to a different destination are sent on a different port in the port trunk.

Configuring Load Balancing on Blade Switches

To configure the load balancing and forwarding method using the menu-driven interface, access the **Configure Advanced Switch Features** screen. Toggle the **Trunk Load Sharing Algorithm** field to the appropriate selection.



```
Telnet 16.74.31.79
-----
Configure Advanced Switch Features
-----
Auto-Logout:<Never >
MAC Address Aging Time(sec):[300 ]
IGMP Snooping:<Enabled >
Switch GURP:<Disabled>
Telnet Status:<Enabled >
Web Status:<Enabled >
Group Address Filter Mode:<Forward All Unregistered>
Scheduling Mechanism for CoS Queues:<Strict >
Trunk Load Sharing Algorithm: <Src Address >
Backpressure:<Disabled>

APPLY

*****
Function:Select auto logout timer.
Message:
CTRL+I = Root screen      Esc=Prev. screen      CTRL+R = Refresh
```

To configure the load balancing and forwarding method using the Web-based interface, access the **Switch Information (Advanced Settings)** screen. Choose the appropriate selection in the **Trunk Load Sharing Algorithm** field.

Switch Information(Advanced Settings)	
Auto Logout of Telnet/RS232 Interface	10 Minutes ▾
Mac Address Aging Time	300
IGMP Snooping	Disabled ▾
GVRP Status	Disabled ▾
Telnet Status	Enabled ▾
Default Telnet/RS232 Interface	Menu ▾
Web Status	Enabled ▾
Group Address Filter Mode	Forward All Unregistered ▾
Scheduling Mechanism for CoS Queues	Strict ▾
Trunk Load Sharing Algorithm	Source Addr ▾
Backpressure	Disabled ▾
SNTP	Disabled ▾

Apply

Hashing Algorithms for Load Balancing

The hashing algorithms use the last three least significant bits (LSB) of the destination MAC address (DA), source MAC address (SA), or destination and source MAC address (DA XOR SA) and the number of links that are available to forward frames in that port trunk group as operators.

There are three algorithms that are supported to decide the outgoing port of frames, depending on how the load balancing option is configured.

1. For the source MAC address option, $N = (\text{Last three LSB of SA}) \text{ MOD } (\text{Number of links up in the port trunk})$
2. For the destination MAC address option, $N = (\text{Last three LSB of DA}) \text{ MOD } (\text{Number of links up in the port trunk})$.
3. For both source and destination MAC addresses option, $N = (\text{Last three LSB of DA XOR SA}) \text{ MOD } (\text{Number of links up in the port trunk})$.

If N is the remainder of the equation and N is not equal to 0, then the N th link that is up in the port trunk is the outgoing port. If N is the remainder of the equation and N is equal to 0, then $N + 1$ link that is up in the port trunk is the outgoing port.

For example: There is a port trunk group with eight member ports, and there is a frame with SA=0x0080C800000B DA=0x0080C800000C.

- SA last three bits is 0b011
- DA last three bits is 0b100
- SA XOR DA is 0b111

In the following example, four trunk ports are link up in the port trunk.

- For algorithm 1, $N = 0b011 \text{ MOD } 4 = 3$
The outgoing port would be the fourth link up in the port trunk.
- For algorithm 2, $N = 0b100 \text{ MOD } 4 = 0$
The outgoing port would be the first link up in the port trunk.
- For algorithm 3, $N = 0b111 \text{ MOD } 4 = 3$
The outgoing port would be the fourth link up in the port trunk.

The following table shows the relationship between the remainder and outgoing ports

Link up port	1 st	2 nd	3 rd	4 th	5 th	6 th	7 th	8 th
Last three LSB	0b000	0b001	0b010	0b011	X	X	X	X
Last three LSB	0b100	0b101	0b110	0b111	X	X	X	X

In the following example, 6 trunk ports are link up in the port trunk.

- For algorithm 1, $N = 0b011 \text{ MOD } 6 = 3$
The outgoing port would be the fourth link up in the port trunk.
- For algorithm 2, $N = 0b100 \text{ MOD } 6 = 4$
The outgoing port would be the fifth link up in the port trunk.
- For algorithm 3, $N = 0b111 \text{ MOD } 6 = 1$
The outgoing port would be the second link up in the port trunk.

The following table shows the relationship between the remainder and outgoing ports.

Link up port	1 st	2 nd	3 rd	4 th	5 th	6 th	7 th	8 th
Last three LSB	0b000	0b001	0b010	0b011	0b100	0b101	X	X
Last three LSB	0b110	0b111	X	X	X	X	X	X

Redundancy: What Happens When One Link in the Port Trunk Fails?

If a segment within the port trunk fails, traffic previously carried over the failed link switches to the remaining segments within the port trunk. Inbound broadcast and multicast packets on one segment in a port trunk are blocked from returning on any other segment of the port trunk.

802.1Q Tagging/Trunking Supported on Port Trunks

In a port trunk, member ports can be configured with or without IEEE 802.1Q trunking/tagging if they are members of a VLAN. After a port trunk is formed, configuring the primary/first port in that port trunk as tagged applies the configuration to all remaining ports in that port trunk. Similarly, configured trunk ports can be configured as a port trunk.

802.1Q encapsulation, if enabled, takes place independently of the source/destination load-balancing mechanism of a port trunk. The virtual LAN (VLAN) ID has no bearing on which link a packet takes. 802.1Q simply enables that trunk to belong to multiple VLANs. If trunking is not enabled, all ports associated with the port trunk must belong to the same VLAN.

XML Configuration

Introduction

Beginning in firmware version 2.0.0, interconnect switch firmware configuration files are specified in eXtensible Markup Language (XML) format. In previous versions, the configuration file was stored in binary format. Binary configuration files saved from previous versions cannot be downloaded into firmware version 2.0.0. However, previous configuration settings are preserved during the firmware upgrade to version 2.0.0.

Trivial File Transfer Protocol (TFTP) services continue to be used to upload and download configuration files. See the TFTP sections in the Web-based, CLI, or menu-driven interface reference guides.

When XML formatted configuration files are downloaded to the interconnect switch, the interconnect switch interprets the contents and applies it to the system immediately. The configuration settings are saved to NVRAM and become the current settings for the interconnect switch. These settings are then used every time the interconnect switch is rebooted.

IMPORTANT: The TFTP server must be running TFTP server software to perform a file transfer. TFTP server software is included as part of the Windows utilities package.

User Account Information

User account information is not saved in the XML configuration file for security reasons and must be managed by the interconnect switch administrator. User account information can be manually added to the XML configuration file after it is uploaded, or it can be re-entered using the CLI, menu-driven interface, or Web-based interface.

“root” is a special user name and is preserved even if `<USER_ACCOUNTS_LIST RESET="True">`. Any other user name, such as “Administrator” with root privileges is deleted along with all other users.

Safe Mode

When inserting a new or replacement interconnect switch into a production environment, you must be certain that the interconnect switch configuration is compatible with the production network. Compatibility with a network can include items such as:

- Non-corruption of the network in general—Corruption, such as loops, can occur within the network without enabling Spanning Tree Protocol (STP).
- Security of connected network entities—Security issues can arise as a result of configuration items, including such attributes as subnet-to-subnet communication and blade-to-blade communication where communication between these entities is not acceptable.
- Security of the interconnect switch itself—These attributes include controlled access to the interconnect switch such as user-password and SNMP read-write community string.
- Other configuration attributes such as VLAN settings.

The interconnect switch factory default, as well as previously configured interconnect switches, may not have configurations that are compatible with the production network.

If the configuration of the interconnect switch is not compatible with the production network, the interconnect switch may be pre-configured in a private network environment

There are several preconfiguration options. For example, the interconnect switch may be configured for its exact position in the production network. Another option is to partially configure the interconnect switch so that it is compatible with multiple positions in the production network. The configuration can then be completed for the interconnect switch through scripting, manual operation, or a configuration download. This more globally appropriate configuration is called a "safe mode" configuration. Note that a single safe mode configuration may or may not be appropriate for all production environments. A spare interconnect switch, however, configured to a "safe mode" may be appropriate for multiple production environments.

Interconnect Switch Replacement Scenario using a "Safe Mode" Configuration

When an in-production interconnect switch fails:

1. Remove the failed interconnect switch.
2. Insert the spare interconnect switch that was previously configured for safe operation.
3. Upgrade to new firmware if appropriate.
4. Download the correct configuration for that particular interconnect switch.

Safe Mode Configuration File Templates

Two example template configuration files have been provided as a basis to create an appropriate safe mode configuration. Each file is delivered with the Switch Management Utilities package specific to a particular type of interconnect switch.

- esafe_ex.xml
- psafe_ex.xml

NOTE: The templates provided are only examples, and should not be used in a production environment without modifications required for your specific production network. These templates have commented sections for IP configuration, password protection, and port selection.

Safe Mode Configuration File Template Modification

Copy the example “Safe Mode” template to a new name. Perform modifications appropriate for your production environment. While the list below describes some of the most common modifications, your environment may require additional settings such as VLAN configuration. These basic areas are preceded by comments that include “SM:”. Use an editor such as WordPad or a standard Linux editor.

- Change the following settings if “Manual” IP settings are required.

```
<!--                                     -->
<!-- SM: Change the following settings if "Manual" IP settings are
required. -->
<IP_ADDRESS>
<GET_IP_FROM VALUE="DHCP"/>
<IP_ADDRESS VALUE="10.90.90.90"/>
<SUBNET_MASK VALUE="255.0.0.0"/>
<DEFAULT_GATEWAY VALUE="0.0.0.0"/>
<MANAGEMENT_VID VALUE="1"/>
</IP_ADDRESS>
```

- Change the following settings to match the remote TFTP server.

```
<!-- -->
<!-- SM: Change the following settings to match the remote TFTP
server -->
<TFTP_SETTINGS>
<SERVER_PORT_NUMBER VALUE="69"/>
<SERVER_IP VALUE="10.90.90.90"/>
<FIRMWARE_FILE_PATH VALUE="yourfirmware.bin"/>
<HISTORY_LOG_FILE_PATH VALUE=""/>
<CONFIGURATION_FILE_PATH VALUE="yoursparecfg.xml"/>
</TFTP_SETTINGS>
```

- Port 19 has been left Enabled on p-Class interconnect switches (port 23 on e-Class). This port may be Disabled and another Enabled per your environment. Multiple uplink ports may be Enabled.

```
<PORT_CONFIGURATION VALUE="23">
<NAME VALUE="IA Mgmt Module"/>
<STATE VALUE="Enabled"/>
<FLOW_CONTROL VALUE="Enabled"/>
<SPEED VALUE="Auto"/>
<PRIORITY VALUE="0"/>
<RESTART_EGRESS_BANDWIDTH_IN_UNITS VALUE="0"/>
<RESTART_INGRESS_BANDWIDTH_IN_UNITS VALUE="0"/>
<STP_PORT_SETTINGS>
<PRIORITY VALUE="128"/>
<COST VALUE="19"/>
<BYPASS VALUE="Yes"/>
<STATE VALUE="Enabled"/>
</STP_PORT_SETTINGS>
<PORT_VLAN>
<PVID VALUE="1"/>
<INGRESS VALUE="Off"/>
<GVRP VALUE="Off"/>
</PORT_VLAN>
<SECURITY>
<MAX_LEARNING_ADDRESS VALUE="1"/>
<MODE VALUE="DeleteOnTimeout"/>
<STATE VALUE="Disabled"/>
</SECURITY>
</PORT_CONFIGURATION>
```

- You may wish to allow only a single IP address (management station) access.

```
<SECURITY_IP_ACCESS_LIST RESET="True">
<!--                                     -->
<!-- SM: Add an item for each management station that can access
the switch -->
<!-- SM: Example: <IPACCESS VALUE="192.168.0.1"/>         -->
</SECURITY_IP_ACCESS_LIST>
```

- Change the read-write community string per your environment.

```
<!--                                     -->
<!-- SM: Change the read-write community string per your
environment. -->
<SNMP_ACCESS_LIST RESET="True">
<SNMP_ACCESS_ITEM COMMUNITY="public">
<TYPE VALUE="RO"/>
<STATUS VALUE="Valid"/>
</SNMP_ACCESS_ITEM>
<SNMP_ACCESS_ITEM COMMUNITY="yoursnmprw">
<TYPE VALUE="RW"/>
<STATUS VALUE="Valid"/>
</SNMP_ACCESS_ITEM>
</SNMP_ACCESS_LIST>
```

- Set up the root user account, which will be used to complete the interconnect switch configuration.

```
<!--                                     -->
<!-- SM: Change the root user for reconfiguration         -->
<!-- SM: Change per your environment.                     -->
<!-- SET USER ACCOUNTS to BIOS DEFAULTS if RESET is True.-->
<!-- Remove the comment sign pairs, then add or modify user
accounts. -->
<!-- Notice : ACCESS VALUE must be Root/User+/User.     -->
<USER_ACCOUNTS_LIST RESET="True">
<USER_ACCOUNT_ITEM USER="yourUser">
<PASSWORD VALUE="yourPassword"/>
<ACCESS VALUE="Root"/>
</USER_ACCOUNT_ITEM>
</USER_ACCOUNTS_LIST>
```

Troubleshooting

This section provides information on solutions to problems that may occur during the configuration and operation of a ProLiant BL e-Class C-GbE Interconnect Switch. The following table lists steps you should take before calling your service representative.

Following are four tables with basic troubleshooting information:

- **Setting Up and Accessing**—Table I-1 contains general troubleshooting information about setting up and accessing the interconnect switch. Topics covered include LEDs, cables, failure of the interconnect switch to get IP settings, failure to connect to the interconnect switch remotely, and what to do if you forget your administrator user name and password.
- **Configuring**—Table I-2 contains general troubleshooting information about configuring the interconnect switch. Topics covered include configuring VLANs and XConnect ports.
- **Using the TFTP Server**—Table I-3 contains general troubleshooting information about using a TFTP server to backup interconnect switch configuration or to configure multiple interconnect switches.
- **Upgrading Firmware using the Serial Port**—Table I-4 contains general troubleshooting information about upgrading system firmware using the serial console port.

For additional troubleshooting information, refer to

- Appendix D, Spanning Tree Protocol
- Appendix F, Upgrading Firmware by Means of the Serial Port
- Appendix G, Port Trunking and Load Balancing in Blade Switches
- Appendix H, XML Configuration
- The following website:
www.compaq.com/support/

Table I-1: Troubleshooting: Setting Up and Accessing

Problem	Possible Cause	Possible Solution
<p>Forgot the administrator user name and password that you configured on the switch module.</p>	<p>Unknown</p>	<p>Call HP technical support at 1-800-652-6672 or your service representative and provide your interconnect switch MAC address (available on the MAC address label attached to your interconnect switch) to get a unique switch password. This password gives you Root privileges. After receiving the password, do the following:</p> <ol style="list-style-type: none"> 1. Reboot the switch module. 2. Access the console interface. 3. Within 60 seconds of when the Logon screen displays, type the password in the Password field. 4. Leave the Username field blank. 5. Press the Enter key. The main menu will be displayed. 6. Access the User Accounts Management option and set a new Administrator password.
<p>The interconnect switch does not respond and will not boot.</p>	<p>Corrupted configuration file</p>	<p>IMPORTANT: Performing the following procedure sets the switch configuration to the factory defaults and resets the switch Administrator name and password to null.</p> <ol style="list-style-type: none"> 1. From the Integrated Administrator, connect to the interconnect switch which is unresponsive. 2. Press the Enter key to display the interconnect switch console. 3. Press the Ctrl+Shift+_ keys to disconnect from the interconnect switch. You do not have to log on to the interconnect switch at this time. 4. When the D)isconnect, C)hange settings, R) reboot Switch, E)xit command line displays, type R to reboot the interconnect switch. 5. When “System self test 10%” displays on the screen, press the pound (#) key. The following message displays, “Do you want to load the default configuration? (y/n)”. 6. Type y to load the factory default configuration.

continued

Table I-1: Troubleshooting: Setting Up and Accessing *continued*

Problem	Possible Cause	Possible Solution
Power LED on the interconnect switch is not on.	Interconnect switch is not seated properly.	Make sure interconnect switch is inserted completely and seated properly.
	Server blade enclosure is not powered up.	Make sure the server blade enclosure is powered up and all the power connections are intact.
	There is a faulty LED.	Check console to see if the interconnect switch is booted.
No link LED displays, even after you plug in the Category 5 cable in the external port's RJ-45 connector.	The cable is not properly plugged in.	Check if the cable is plugged in and seated properly.
	The cable or connector heads are faulty.	Replace with another tested cable.
	The RJ-45 connector on the switch or LED is faulty.	After checking all the above, if no link LED displays, check whether the port is transferring data. If yes, the LED is faulty. If no, it could be a faulty RJ-45 connector. Call your service representative.
Cannot access the interconnect switch serial console interface via the Integrated Administrator using null modem connection from a PC Terminal Emulation Program.	Null modem cable has a problem.	Make sure you use the null modem cable provided by HP with this hardware.
	Connection settings do not match the Integrated Administrator serial settings.	Make sure the PC Terminal Emulation session settings match the Integrated Administrator serial settings. IMPORTANT: Refer to the menu-driven interface reference guide for default serial settings if you are connecting to the interconnect switch via the Integrated Administrator serial port for the first time.
Error message that the interconnect switch failed to complete the system self-testing is displayed on the serial console screen.	System diagnostic tests failed.	Note the reason for failure from the serial console screen message and call your service representative.
Keyboard locks up when using HyperTerminal to logon to the switch module through the console interface.	Scroll lock is set on.	Press the Scroll Lock key on the keyboard and make sure that scroll lock is off.

continued

Table I-1: Troubleshooting: Setting Up and Accessing *continued*

Problem	Possible Cause	Possible Solution
<p>The interconnect switch fails to get its IP settings from DHCP server, even though by default it is configured for DHCP.</p> <p>NOTE: If you are running in spanning tree mode, it can take 60-90 seconds for the switch module to get its IP settings.</p>	<p>The interconnect switch is not connected properly to the network.</p>	<p>Check the cable and connections and make sure there is network connectivity between the interconnect switch and the DHCP server.</p>
	<p>The DHCP server is not available on the network or VLAN that is attached to the switch management port.</p>	<p>Make sure DHCP server is present on the network or VLAN attached to the interconnect switch.</p>
	<p>The DHCP server is not able to offer IP settings to the interconnect switch as it is out of available IP addresses.</p>	<p>Make sure the IP addresses are available.</p>
	<p>The interconnect switch timed out its request for IP settings.</p>	<ul style="list-style-type: none"> • Go to the Switch IP Settings screen and click Apply, to make the interconnect switch retry DHCP. • Reset/reboot the interconnect switch.
<p>Cannot connect to the interconnect switch console interface remotely using Telnet.</p>	<p>The interconnect switch IP address may not be configured or correct.</p>	<ul style="list-style-type: none"> • From the serial console interface, on the Switch IP Settings screen, make sure that the interconnect switch IP address is configured and valid on your network. • Use the correct IP address to establish the Telnet connection with the interconnect switch.
	<p>The setting allowing access to the interconnect switch using the Telnet interface is disabled.</p>	<p>From the serial console interface, on the Advanced Switch Settings screen, make sure the Telnet interface is enabled.</p>
	<p>The Security IP list (if used) does not contain the IP address of your management station.</p>	<p>From the SNMP Manager Configuration screen, make sure that security IP list or Management IP Station list has the IP address of your management station.</p>
	<p>The internal switch processor port (meant for supporting switch management interfaces) and the port to which you have connected to access the switch from the Telnet, Web, or SNMP interfaces are not in the same VLAN.</p>	<p>Make sure that the Management VLAN ID on the Switch IP Settings screen is the same as the VLAN ID of the port that is trying to make the Telnet, Web, or SNMP connection. If not, change it to match.</p>

continued

Table I-1: Troubleshooting: Setting Up and Accessing *continued*

Problem	Possible Cause	Possible Solution
Cannot connect to the interconnect switch remotely using the Web interface.	The interconnect switch IP address may not be configured or correct.	<ul style="list-style-type: none"> From the serial console interface, on the Switch IP Settings screen, make sure that the interconnect switch IP address is configured and valid on your network. Use the correct IP address to establish the Web connection with the interconnect switch.
	Accessing the interconnect switch using Web interface is disabled.	From the serial console interface, on the Advanced Switch Settings screen, make sure the Web interface is enabled.
	The Proxy server settings are configured on your Internet browser and your proxy server does not know the interconnect switch IP address.	Disable the manual proxy settings on your Internet browser and let it automatically find Web servers using the IP address.
	The Security IP list (if used) does not contain the IP address of your management station.	From the SNMP Manager Configuration screen, make sure that security IP list or Management IP Station list has the IP address of your management station.
Cannot connect to the interconnect switch SNMP interface.	The internal switch processor port (meant for supporting switch management interfaces) and the port to which you have connected to access the switch from the Telnet, Web, or SNMP interfaces are not in the same VLAN.	Make sure that the Management VLAN ID on the Switch IP Settings screen is the same as the VLAN ID of the port that is trying to make the Telnet, Web, or SNMP connection. If not, change it to match.
	The Security IP list (if used) does not contain the IP address of your management station.	From the SNMP Manager Configuration screen, make sure that security IP list or Management IP Station list has the IP address of your management station.
	The internal switch processor port (meant for supporting switch management interfaces) and the port to which you have connected to access the switch from the Telnet, Web, or SNMP interfaces are not in the same VLAN.	Make sure that the Management VLAN ID on the Switch IP Settings screen is the same as the VLAN ID of the port that is trying to make the Telnet, Web, or SNMP connection. If not, change it to match.

continued

Table I-2: Troubleshooting: Configuring

Problem	Possible Cause	Possible Solution
After connecting more than one port to another switch or destination device, the port activity LEDs continuously indicate activity.	Since there are multiple links across this device and the destination device, they form loops, which cause broadcast storms.	From the Configure Spanning Tree settings screen, enable STP at switch level. From the Port Spanning Tree settings screen, enable STP at port level, if you want multiple links. Make sure that the Bypass setting is disabled. This will avoid loops and maintain standby links for resilience in case the primary links go down.
While configuring VLANs, you cannot enable a port in multiple VLANs.	A port can be part of only one VLAN unless the port is a tagged port.	Make sure that your VLANs are 802.1Q VLANs and enable the port as a tagged port from the 802.1Q Static VLAN Settings screen on console interface, or the VLAN settings screen on Web-based interface.
After assigning a port to multiple 802.1Q VLANs by configuring it as tagged port, you check the PVID. It is equal to the first VLAN ID.	For port-based VLANs, ports belong to only one VLAN and only one PVID can be assigned. Port-based VLANs can be extended to other switches by cross connecting ports that have the same PVID (the same Port based VLAN).	By default, all the ports have PVID 1. The switch assigns to the port a PVID that is equal to the VLAN ID of the first VLAN that the port was enabled in. To manually configure a Port VLAN, refer to “Configuring a Port VLAN” in the management interface reference guides.
Changing the first XConnect port settings changes the next XConnect port settings. But changes to the second XConnect port settings cannot be applied or saved.	By default, XConnect ports are bundled into a port trunk.	Since they are bundled into a trunk, the settings of the first port are referenced and applied to the rest of the ports. So in a trunk, only the first port (reference port) is configurable and defines the characteristics of the other ports in the trunk.
While assigning the ports to VLANs, the interconnect switch does not let the user enable two adjacent ports into two different VLANs.	The ports could be two adjacent ports that are bundled in a port trunk.	Two ports that are assigned to a port trunk cannot be assigned to two different VLANs. Either break the trunk to assign it two different VLANs or assign the ports to one VLAN.
After forcing the speed, duplex, and flow control on the port, the link does not come up and transfer data properly.	Both sides need to be forced to the same settings. In case of auto-negotiation, both sides will negotiate and match the setting to make the correct link.	<ul style="list-style-type: none"> • From the Configure Ports screen, make sure the ports are forced to the same setting as the setting on the other end of the link. • Use a crossover cable in case of forced 10/100 speeds.

Table I-3: Troubleshooting: Using a TFTP Server

Problem	Possible Cause	Possible Solution
While using TFTP to download firmware, the interconnect switch fails to connect to the TFTP server or after connection the download fails.	The TFTP server is not available to connect or there is connectivity failure between the switch and TFTP server.	<ul style="list-style-type: none"> • Make sure the IP address of the TFTP server is correct. • Make sure that the TFTP server exists on the same network and VLAN as the interconnect switch. • Make sure that you can ping the TFTP server from the interconnect switch and vice versa.
	The firmware file is not found on the TFTP server. The file name could be wrong and is mismatching.	<ul style="list-style-type: none"> • Make sure that a valid firmware file exists on the TFTP server to download to the interconnect switch. • On the interconnect switch, check the file name you configured to download.
	The TFTP server was started with a configured directory.	The interconnect switch must be configured using the full path name, if it is not in the directory specified in the TFTP server.

continued

Table I-3: Troubleshooting: Using a TFTP Server *continued*

Problem	Possible Cause	Possible Solution
While using TFTP to download or upload a configuration file, the interconnect switch fails to connect to the TFTP server, or after connection the download or upload fails.	The TFTP server is not available to connect or there is a connectivity failure between the interconnect switch and the TFTP server.	<ul style="list-style-type: none"> • Make sure that TFTP server exists on the same network and VLAN as that of the switch. • Make sure that you can ping TFTP server from the switch and vice versa. • Make sure the IP address of the TFTP server is correct.
	The configuration file is not found on the TFTP server. The file name could be wrong and is mismatching.	<ul style="list-style-type: none"> • Make sure that a valid configuration file exists on the TFTP server to download to the interconnect switch. • On the interconnect switch, check the file name you configured to download or upload.
	The TFTP server was started with a configured directory.	The interconnect switch must be configured using the full path name, if it is not in the directory specified in the TFTP server.
While using TFTP to save the history log, the interconnect switch fails to connect to the TFTP server or after connection the download fails	The TFTP server is not available to connect or there is connectivity failure between the interconnect switch and the TFTP server.	<ul style="list-style-type: none"> • Make sure the IP address of the TFTP server is correct. • Make sure that the TFTP server and the interconnect switch are on the same network or VLAN. • Make sure that you can ping the TFTP server from the interconnect switch and vice versa.
	The TFTP server was started with a configured directory.	The interconnect switch must be configured using the full path name, if it is not in the directory specified in the TFTP server.

Table I-4: Troubleshooting: Upgrading Firmware using the Serial Port

Problem	Possible Cause	Possible Solution
On the serial console screen, a message that interconnect switch failed to load runtime image (firmware) is displayed.	Runtime image (firmware file) got corrupted.	Download the new runtime image (firmware file) using the procedure in Appendix E.
	Flash file system went bad partially.	Call your service representative.
From the serial console, pressing the pound (#) key during boot procedure does not force the interconnect switch into the download mode.	You did not press the pound (#) key during the time the boot procedure responds to this special key.	Make sure to press the pound (#) key immediately when you see the boot procedure starting POST. Pressing the pound (#) key in the middle of POST puts the interconnect switch into the download mode instead of the runtime mode.
After forcing the interconnect switch into the download mode, the console screen displays a message to change your terminal emulation session's baud rate for ZModem transfer and also displays unusual characters.	Your terminal emulation session baud rate does not match the interconnect switch serial console baud rate in the download mode.	Change your terminal emulation session's baud rate to match the interconnect switch serial console baud rate in the download mode. IMPORTANT: The baud rate for the interconnect switch serial console in the download mode and runtime mode are two separate settings.
After starting to download the firmware file, download fails.	The firmware file is not the correct one or got corrupted.	Make sure to get the latest firmware file that is meant for this interconnect switch.
Interconnect switch configuration is corrupted.	An error was made when saving the interconnect switch configuration.	Reboot the interconnect switch and reload the factory settings. This clears all settings and restores them to their initial values that were present when the interconnect switch was purchased. Refer to the management interface reference guides for information on how to reload factory settings. IMPORTANT: You will have the option to reset all settings except the IP address. After reloading the factory settings, reconfigure the switch settings.

RJ-45 Pin Specification

When connecting the HP ProLiant BL e-class C-GbE Interconnect Switch to a switch, bridge, or hub, a Category 5 Ethernet cable is necessary. Review these products for matching cable pin assignments.

Figure J-1 displays the standard RJ-45 receptacle/connector. Table J-1 provides the pin assignments for the switch-to-network adapter card connection, and for the Category 5 Ethernet cable for a switch-to-switch, –hub, or –bridge connection.

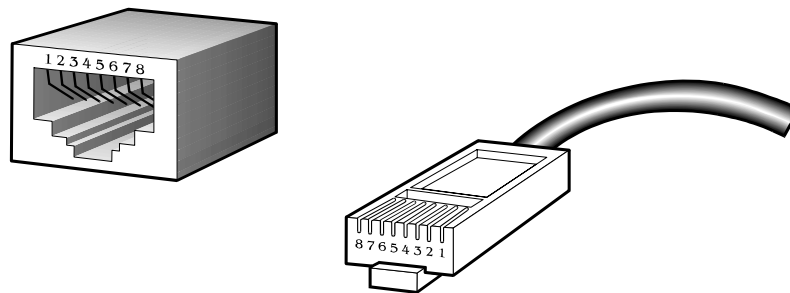


Figure J-1: Standard RJ-45 receptacle/connector

Table J-1: RJ-45 Connector Pin Assignments

Contact	Media Direct Interface Signal for 10/100	Media Direct Interface Signal for 1000T
1	Tx + (transmit)	BI_DA+
2	Tx – (transmit)	BI_DA-
3	Rx + (receive)	BI_DB+
4	Not used	BI_DC+
5	Not used	BI_DC-
6	Rx – (receive)	BI_DB-
7	Not used	BI_DD+
8	Not used	BI_DD-

A

accessing switch
 procedure 2-14
 troubleshooting I-2
architecture, switch 1-4

B

blocking state, STP D-1, D-13
Bootstrap Protocol (BOOTP)
 overview 1-8
broadcast storm
 troubleshooting D-12
BSMI regulatory notice A-2

C

cabling of switch
 procedures 2-10
 specifications B-2
Canadian regulatory notice A-1
Carrier Sense Multiple Access with Collision
 Detection (CSMA/CD) 1-6
Class of Service (CoS) packet prioritization
 overview 1-8
class of traffic
 overview 1-8
component-level repairs vii
configuration
 features 1-3
 planning for 2-8
 troubleshooting I-6
configuration
 safe mode H-2
console management interface
 upgrading firmware F-1
crosslinks, redundant 1-5
CSMA/CD (Carrier Sense Multiple Access with
 Collision Detection) 1-6

D

data loop, identifying D-12

data transfer rates B-1
default settings
 parameters to set 2-8
 runtime switching software C-1
DHCP (Dynamic Host Configuration Protocol)
 overview 1-8
diagnostics features 1-4
disabled state, STP D-7

E

enterprise-specific MIBs E-2
errors, resource D-12
Ethernet ports/connectors
 locations 1-9
 specifications B-1
European Union regulatory notice A-2
eXtensible Markup Language (XML) H-1
external components, overview 1-9

F

failover features 1-3
features 1-2
Federal Communications Commission (FCC)
 notice A-1
firmware upgrades
 console management interface F-1
 troubleshooting I-9
forward delay setting and resource errors D-12
forwarding state, STP D-5
full/half duplex mismatch problems D-10

G

grounding vii
grounding plug vii

H

hardware installation 2-1
help resources viii
HP authorized reseller viii
HP ProLiant BL e-Class C-GbE Interconnect Switch
 architecture 1-4

- external components 1-9
 - features 1-2
 - installing 2-1
 - runtime switching software settings C-1
 - supported technologies 1-6
 - troubleshooting I-1
- HP ProLiant BL p-Class GbE Interconnect Switch
- SNMP/RMON MIBs support E-1
- ## I
- IEEE 802.1p-based class of service 1-8
 - IEEE 802.1Q-based VLAN 1-6
 - IEEE/ANSI standards, specifications B-1
 - IGMP (Internet Group Management Protocol)
 - snooping
 - overview 1-8
 - installation
 - additional information 2-16
 - cabling 2-10
 - hardware 2-1
 - overview 2-1
 - planning configuration 2-8
 - troubleshooting I-2
 - Integrated Administrator (iA) connectors
 - accessing switch modules through 2-14
 - configuring 2-13
 - location 1-9
 - overview 1-5
 - upgrading firmware through F-1
 - IP addresses
 - DHCP and BOOTP sources for 1-8
- ## J
- Japanese regulatory notice A-2
- ## L
- LAN (local area network) 1-6
 - Layer 2-based packet forwarding 1-6
 - learning state, STP D-4
 - LED indicators 1-10
 - listening state, STP D-2
 - local area network (LAN) 1-6
 - login procedures
 - initial setup 2-14
- ## M
- manual configuration 2-9
 - max age and resource errors D-12
 - MIBs (Management Information Bases) E-1
 - mirroring of ports
 - overview 1-7
- modules, switch 1-5
 - multiple-switch configuration 2-10
- ## N
- new deployment installation 2-2
- ## O
- Open Systems Interconnection (OSI) model 1-6
- ## P
- packets, data
 - buffering of 1-8
 - corruption of D-12
 - forwarding technology 1-7
 - prioritization service 1-8
 - patch panels, replacing 2-6
 - performance specifications B-3
 - physical and environmental specifications B-2
 - ports
 - full/half duplex mismatch problem D-10
 - locations 1-9
 - management tips D-13
 - mirroring of 1-7
 - name defaults C-5
 - specifications B-2
 - power and power supplies, connecting 2-12
 - privileges, user 2-9
 - protocols, network
 - BOOTP 1-8
 - DHCP 1-8
 - overview 1-6, 1-7
 - specifications B-1
 - XModem/ZModem F-1
- ## R
- redundancy features
 - identifying links D-13
 - overview 1-3, 1-5
 - regulatory compliance notices A-1
 - remote monitoring (RMON)
 - overview 1-7
 - SNMP/RMON MIBs support E-1
 - replacing interconnect switch, safe mode H-2
 - replacing interconnect tray 2-4
 - replacing RJ-45 patch panels 2-6
 - resource errors D-12
 - RJ-45 connectors
 - location 1-9
 - pin specifications J-1
 - RJ-45 patch panels, replacing 2-6
 - RMON (remote monitoring)

overview 1-7
 SNMP/RMON MIBs support E-1
 runtime switching software C-1

S

safe mode
 compatibility with network H-2
 configuration file templates H-2, H-3
 switch replacement scenario H-2
 security
 features 1-9
 overview 2-9
 serial port, upgrading firmware from F-1, I-9
 SNMP (Simple Network Management Protocol)
 overview 1-7
 SNMP script utility 2-10
 SNMP/RMON MIBs support E-1
 spanning tree protocol (STP)
 overview 1-6
 states D-1
 STP/Bypass default settings C-5
 troubleshooting D-9
 specifications
 RJ-45 pin J-1
 standard MIBs E-2
 standards, IEEE/ANSI B-1
 storage and forward switching scheme 1-7
 switch replacement, safe mode H-2

T

technician notes vii
 telephone numbers viii
 templates, safe mode
 location H-3
 modification H-3
 TFTP (Trivial File Transfer Protocol) server
 multiple switch configurations 2-10
 overview 1-7
 troubleshooting I-7
 XML configuration H-1

traffic classes, configuring
 overview 1-8
 troubleshooting
 spanning tree protocol D-9
 switch I-1
 trunking feature
 default settings C-5
 overview 1-7

U

unidirectional link problem D-11
 upgrading firmware
 through serial port F-1
 troubleshooting I-9
 users
 managing accounts 1-9
 privilege levels 2-9
 XML configuration H-1

V

ventilation clearances vii
 VLANs (virtual local area networks)
 default settings C-5
 features 1-6

W

warranty viii

X

XModem protocol F-1

Z

ZModem protocol F-1

Free Manuals Download Website

<http://myh66.com>

<http://usermanuals.us>

<http://www.somanuals.com>

<http://www.4manuals.cc>

<http://www.manual-lib.com>

<http://www.404manual.com>

<http://www.luxmanual.com>

<http://aubethermostatmanual.com>

Golf course search by state

<http://golfingnear.com>

Email search by domain

<http://emailbydomain.com>

Auto manuals search

<http://auto.somanuals.com>

TV manuals search

<http://tv.somanuals.com>