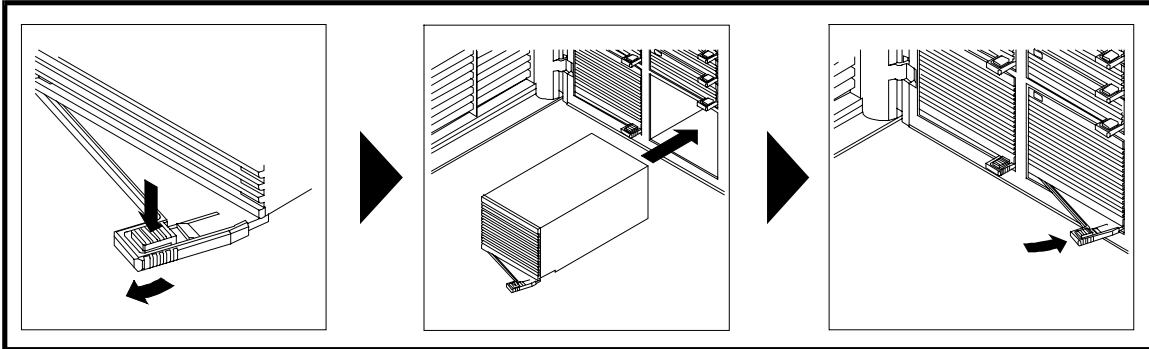
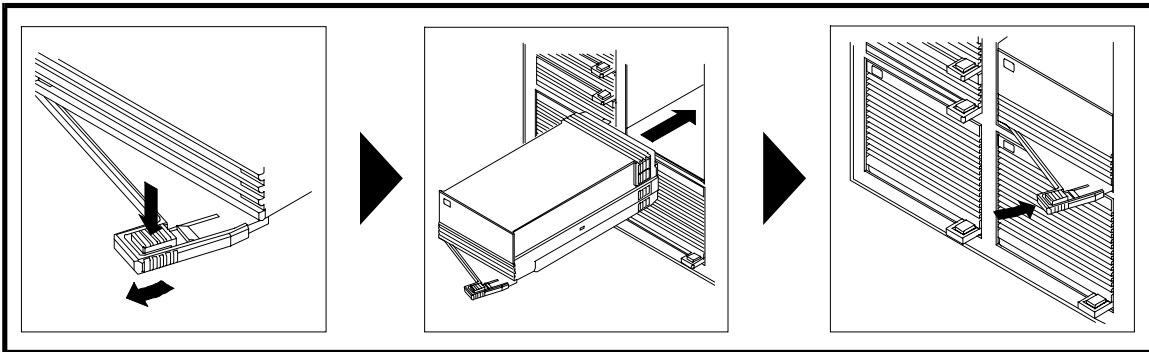


# HP SureStore E Disk Array 12H Module Installation

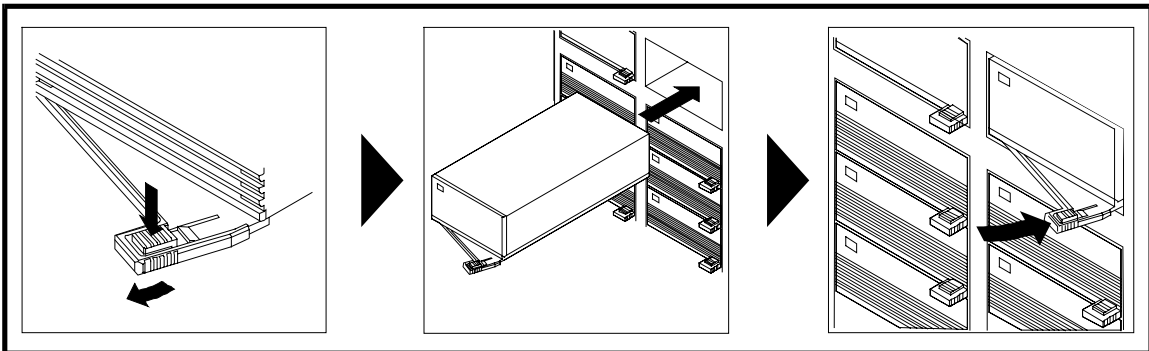
## Power Module



## Disk Module



## Fan Module



Customer part number:  
C5445-90904

Printed in U.S.A.

June 1999

Edition 2

E0699

Part Number



\*A3700-96016\*

## Free Manuals Download Website

<http://myh66.com>

<http://usermanuals.us>

<http://www.somanuals.com>

<http://www.4manuals.cc>

<http://www.manual-lib.com>

<http://www.404manual.com>

<http://www.luxmanual.com>

<http://aubethermostatmanual.com>

Golf course search by state

<http://golfingnear.com>

Email search by domain

<http://emailbydomain.com>

Auto manuals search

<http://auto.somanuals.com>

TV manuals search

<http://tv.somanuals.com>