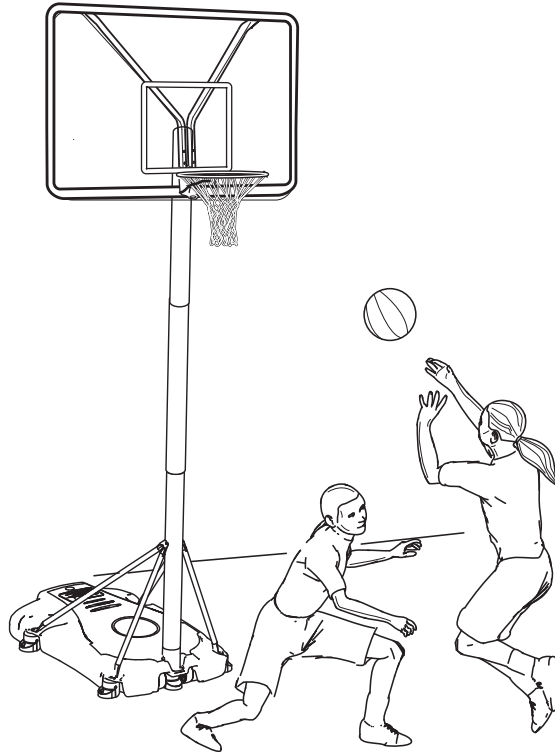


# HUFFY® SPORTS

## Portable Basketball System Owners Manual

Customer Service Center

• N53 W24700 South Corporate Circle • Sussex, WI 53089 • U.S.A.



### ! WARNING!



READ AND UNDERSTAND  
OPERATOR'S MANUAL  
BEFORE USING THIS UNIT.

FAILURE TO FOLLOW  
OPERATING INSTRUCTIONS  
COULD RESULT IN INJURY  
OR DAMAGE TO  
PROPERTY.

### REQUIRED TOOLS AND MATERIALS:



• 2 People



• Tape Measure



• Wood Board (scrap)



• Sawhorse or  
Support Table



• Hammer



• Step Ladder 8 ft. (2.4m)



7/16" 1/2" 9/16" 3/4"

AND/OR



7/16" 1/2" 9/16" 3/4"



• Extension is Required.



• Garden Hose or  
• Optional: Large &  
Small Adjustable  
Wrenches



Toll-Free Customer Service Number for U.S: 1-800-558-5234,

For Canada: 1-800-284-8339,

For Europe: 00 800 555 85234 (Sweden: 009 555 85234),

For Australia: 1-800-333 061

Internet Address: <http://www.huffysports.com>



## Système portable Manuel d'utilisation

Service clientèle

o N53 W24700 South Corporate Circle o Sussex, WI 53089 o É.-U.

## HUFFY SPORTS

### Tragbares System Gebrauchsanleitung

Kundendienstzentrale

o N53 W24700 South Corporate Circle o Sussex, WI 53089 o U.S.A.

## HUFFY SPORTS

### Sistema portátil Manual del propietario

Centro de Servicio al Cliente

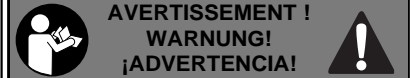
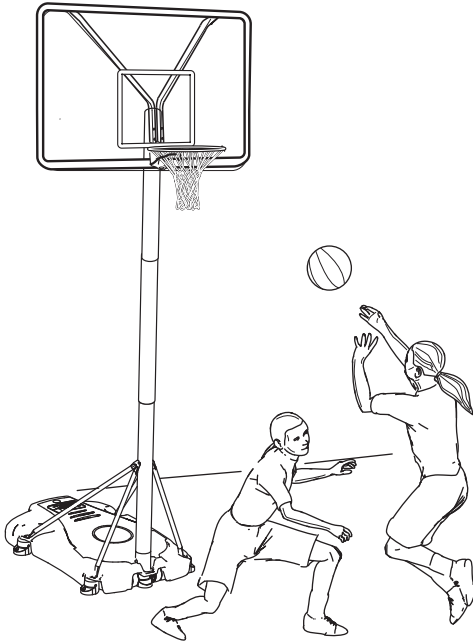
o N53 W24700 South Corporate Circle o Sussex, WI 53089 o EE.UU.

## HUFFY SPORTS

### Tabellone e cerchio Manuale di istruzioni

Centro assistenza alla clientela

o N53 W24700 South Corporate Circle o Sussex, WI 53089 o U.S.A.



**AVERTISSEMENT !  
WARNUNG!  
¡ADVERTENCIA!**

**LISEZ LE MODE D'EMPLOI  
AVANT D'UTILISER CE SYSTÈME**

**SOUS PEINE D'ENCOURIR DES BLESSURES  
OU DES DÉGÂTS MATÉRIELS.**

**DAS BENUTZERHANDBUCH VOR  
GEBRAUCH DIESES PRODUKTS  
SORGFÄLTIG DURCHLESEN.**

**EIN MISSACHTEN DIESER  
BETRIEBSANLEITUNG KANN  
VERLETZUNGEN ODER  
SACHSCHÄDEN ZUR FOLGE  
HABEN.**

**LEA Y ENTIENDA EL MANUAL DEL  
OPERADOR ANTES DE USAR ESTA UNIDAD.**

**SI NO SE SIGUEN LAS  
INSTRUCCIONES DE OPERACIÓN SE  
PODRÍA OCASIONAR UNA LESIÓN O DAÑOS  
A LA PROPIEDAD. OR DAMAGE TO  
PROPERTY.**

**PRIMA DI USARE IL SISTEMA, LEGGERE IL  
MANUALE DI ISTRUZIONI FINO A  
COMPRENDERLO A FONDO.**

**L'INOSSERVAZIONE DELLE ISTRUZIONI  
POTREBBE TRADURSI IN GRAVI INFORTUNI  
E/O DANNI ALLE COSE.**

### REQUIRED TOOLS AND MATERIALS:



- o Deux personnes
- o Zwei Personen
- o Dos personas
- o (2) persone.



- o Mètre
- o Maßband
- o Cinta de medir
- o Metro



- o Planche en bois (chute)
- o Holzstück
- o Tabla de madera (un trozo)
- o Tavoletta di legno



- o Banc de sciage ou table d'appui
- o Sägebock oder Stütztisch
- o Caballete o mesa de apoyo
- o Cavalletto di supporto o tavolo di appoggio



- o Marteau
- o Hammer
- o Martillo
- o Martello



- o Échelle de 2,4 m
- o Stufenleiter 2,4m (8 Fuß)
- o Escalera de mano de 8 pies (2.4m)
- o Scala a libro da 2,4m (8')



- o Tuyau d'arrosage ou sable
- o Gartenschlauch oder Sand
- o Manguera de jardín o arena
- o Canna da giardino o sabbia

- o SABLE (163 kg)
- o SAND 163 kg (360 lbs)
- o ARENA (360 libras) (163 kg)
- o SABBIA (163 kg) (360 libbre)

- o (2) clés et/ou clés à douilles et douilles (douilles longues recommandées). Extension obligatoire.
- o (je 2) Schraubenschlüssel und/oder Steckschlüssel und Einsätze (tiefe Einsätze empfohlen). Verlängerung ist erforderlich.
- o (2 de cada una) llaves de tuercas y/o llaves de tuercas de boca tubular y casquillos (se recomiendan casquillos profundos). Se requiere una extensión.
- o Due (2) chiavi e/o chiavi a bussola e bussola (si consigliano bussole a incasso profondo). È necessaria la prolunga.



7/16"

1/2"

9/16"

3/4"



- o Facultatif : petites et grandes clés anglaises
- o Optional: Große und kleine verstellbare Schraubenschlüssel
- o Opcional: Llaves de tuercas ajustables grandes y pequeñas
- o Facoltativamente: chiavi inglesi grande e piccola



Numéro sans frais du service clientèle (États-Unis) : 1-800-558-5234 ; Canada : 1-800-284-8339 ; Europe : 00 800 555 85234 (Suède : 009 555 85234), Pour l'Australie : 1-800-333 061 - Site Internet : <http://www.huffysports.com>

Gebührenfreie Kundendienstnummer für Anrufer in den USA: 1-800-558-5234 Für Anrufer in Kanada: 1-800-284-8339 Für Anrufer in Europa: 00 800 555 85234 (Schweden: 009 555 85234) Für Australien: 1-800-333.061 - Internet-Adresse: <http://www.huffysports.com>

Número telefónico gratuito de servicio al cliente en EE. UU.: 1-800-558-5234, para Canadá: 1-800-284-8339, para Europa: 00 800 555 85234 (Suecia: 009 555 85234), para Australia: 1-800-333 061 - Dirección en Internet: <http://www.huffysports.com>



Numero verde per chi chiama dagli U.S.A.: 1-800-558-5234, per il Canada: 1-800-284-8339, per l'Europa: 00 800 555 85234 (per la Svezia: 009 555 85234), per l'Australia: 1-800-333 061.

Sito Web: <http://www.huffysports.com>



## WARNING

FAILURE TO FOLLOW THESE WARNINGS MAY RESULT IN SERIOUS INJURY AND/OR PROPERTY DAMAGE.

Owner must ensure that all players know and follow these rules for safe operation of the system.

- DO NOT HANG on the rim or any part of the system including backboard, support braces or net.
- During play, especially when performing dunk type activities, keep player's face away from the backboard, rim and net. Serious injury could occur if teeth/face come in contact with backboard, rim or net.
- Do not slide, climb, shake or play on base and/or pole.
- After assembly is complete, fill system completely with water or sand and stake to the ground. Never leave system in an upright position without filling base with weight, as system may tip over causing injuries.
- When adjusting height or moving system, keep hands and fingers away from moving parts.
- Do not allow children to move or adjust system.
- During play, do not wear jewelry (rings, watches, necklaces, etc.). Objects may entangle in net.
- Surface beneath the base must be smooth and free of gravel or other sharp objects. Punctures cause leakage and could cause system to tip over.
- Keep organic material away from pole base. Grass, litter, etc. could cause corrosion and/or deterioration.
- Check pole system for signs of corrosion (rust, pitting, chipping) and repaint with exterior enamel paint. If rust has penetrated through the steel anywhere, replace pole immediately.
- Check system before each use for proper ballast, loose hardware, excessive wear and signs corrosion and repair before use.
- Check system before each use for instability.
- Do not use system during windy and/or severe weather conditions; system may tip over. Place system in the storage position and/or in an area protected from the wind and free from personal property and/or overhead wires.
- Never play on damaged equipment.
- See instruction manual for proper installation and maintenance.
- When moving system, use caution to keep mechanism from shifting.
- Keep pole top covered with cap at all times.
- Do not allow water in tank to freeze. During sub-freezing weather add non-toxic antifreeze, sand or empty tank completely and store. (Do not use salt.)
- Use extreme caution if placing system on sloped surface. System may tip over more easily.

**HUFFY®SPORTS**

In the U.S.: 1-800-558-5234 and Canada: 1-800-284-8339

201241 2/99

## WARNING

FAILURE TO FOLLOW THESE WARNINGS MAY RESULT IN SERIOUS INJURY AND/OR PROPERTY DAMAGE.

Owner must ensure that all players know and follow these rules for safe operation of the system.

- DO NOT HANG on the rim or any part of the system including backboard, support braces or net.
- During play, especially when performing dunk type activities, keep player's face away from the backboard, rim and net. Serious injury could occur if teeth/face come in contact with backboard, rim or net.
- Do not slide, climb, shake or play on base and/or pole.
- After assembly is complete, fill system completely with water or sand and stake to the ground. Never leave system in an upright position without filling base with weight, as system may tip over causing injuries.
- When adjusting height or moving system, keep hands and fingers away from moving parts.
- Do not allow children to move or adjust system.
- During play, do not wear jewelry (rings, watches, necklaces, etc.). Objects may entangle in net.
- Surface beneath the base must be smooth and free of gravel or other sharp objects. Punctures cause leakage and could cause system to tip over.
- Keep organic material away from pole base. Grass, litter, etc. could cause corrosion and/or deterioration.
- Check pole system for signs of corrosion (rust, pitting, chipping) and repaint with exterior enamel paint. If rust has penetrated through the steel anywhere, replace pole immediately.
- Check system before each use for proper ballast, loose hardware, excessive wear and signs corrosion and repair before use.
- Check system before each use for instability.
- Do not use system during windy and/or severe weather conditions; system may tip over. Place system in the storage position and/or in an area protected from the wind and free from personal property and/or overhead wires.
- Never play on damaged equipment.
- See instruction manual for proper installation and maintenance.
- When moving system, use caution to keep mechanism from shifting.
- Keep pole top covered with cap at all times.
- Do not allow water in tank to freeze. During sub-freezing weather add non-toxic antifreeze, sand or empty tank completely and store. (Do not use salt.)
- Use extreme caution if placing system on sloped surface. System may tip over more easily.

**HUFFY®SPORTS**

In the U.S.: 1-800-558-5234 and Canada: 1-800-284-8339

201241 2/99

## WARNING

FAILURE TO FOLLOW THESE WARNINGS MAY RESULT IN SERIOUS INJURY AND/OR PROPERTY DAMAGE.

Owner must ensure that all players know and follow these rules for safe operation of the system.

- DO NOT HANG on the rim or any part of the system including backboard, support braces or net.
- During play, especially when performing dunk type activities, keep player's face away from the backboard, rim and net. Serious injury could occur if teeth/face come in contact with backboard, rim or net.
- Do not slide, climb, shake or play on base and/or pole.
- After assembly is complete, fill system completely with water or sand and stake to the ground. Never leave system in an upright position without filling base with weight, as system may tip over causing injuries.
- When adjusting height or moving system, keep hands and fingers away from moving parts.
- Do not allow children to move or adjust system.
- During play, do not wear jewelry (rings, watches, necklaces, etc.). Objects may entangle in net.
- Surface beneath the base must be smooth and free of gravel or other sharp objects. Punctures cause leakage and could cause system to tip over.
- Keep organic material away from pole base. Grass, litter, etc. could cause corrosion and/or deterioration.
- Check pole system for signs of corrosion (rust, pitting, chipping) and repaint with exterior enamel paint. If rust has penetrated through the steel anywhere, replace pole immediately.
- Check system before each use for proper ballast, loose hardware, excessive wear and signs corrosion and repair before use.
- Check system before each use for instability.
- Do not use system during windy and/or severe weather conditions; system may tip over. Place system in the storage position and/or in an area protected from the wind and free from personal property and/or overhead wires.
- Never play on damaged equipment.
- See instruction manual for proper installation and maintenance.
- When moving system, use caution to keep mechanism from shifting.
- Keep pole top covered with cap at all times.
- Do not allow water in tank to freeze. During sub-freezing weather add non-toxic antifreeze, sand or empty tank completely and store. (Do not use salt.)
- Use extreme caution if placing system on sloped surface. System may tip over more easily.

**HUFFY®SPORTS**

In the U.S.: 1-800-558-5234 and Canada: 1-800-284-8339

201241 2/99

# NEED TRANSLATION PUT IN

## WARNING

FAILURE TO FOLLOW THESE WARNINGS MAY RESULT IN SERIOUS INJURY AND/OR PROPERTY DAMAGE.

Owner must ensure that all players know and follow these rules for safe operation of the system.

- DO NOT HANG on the rim or any part of the system including backboard, support braces or net.
- During play, especially when performing dunk type activities, keep player's face away from the backboard, rim and net. Serious injury could occur if teeth/face come in contact with backboard, rim or net.
- Do not slide, climb, shake or play on base and/or pole.
- After assembly is complete, fill system completely with water or sand and stake to the ground. Never leave system in an upright position without filling base with weight, as system may tip over causing injuries.
- When adjusting height or moving system, keep hands and fingers away from moving parts.
- Do not allow children to move or adjust system.
- During play, do not wear jewelry (rings, watches, necklaces, etc.). Objects may entangle in net.
- Surface beneath the base must be smooth and free of gravel or other sharp objects. Punctures cause leakage and could cause system to tip over.
- Keep organic material away from pole base. Grass, litter, etc. could cause corrosion and/or deterioration.
- Check pole system for signs of corrosion (rust, pitting, chipping) and repaint with exterior enamel paint. If rust has penetrated through the steel anywhere, replace pole immediately.
- Check system before each use for proper ballast, loose hardware, excessive wear and signs corrosion and repair before use.
- Check system before each use for instability.
- Do not use system during windy and/or severe weather conditions; system may tip over. Place system in the storage position and/or in an area protected from the wind and free from personal property and/or overhead wires.
- Never play on damaged equipment.
- See instruction manual for proper installation and maintenance.
- When moving system, use caution to keep mechanism from shifting.
- Keep pole top covered with cap at all times.
- Do not allow water in tank to freeze. During sub-freezing weather add non-toxic antifreeze, sand or empty tank completely and store. (Do not use salt.)
- Use extreme caution if placing system on sloped surface. System may tip over more easily.

**HUFFY®SPORTS**

In the U.S.: 1-800-558-5234 and Canada: 1-800-284-8339

201241 2/99

## WARNING

FAILURE TO FOLLOW THESE WARNINGS MAY RESULT IN SERIOUS INJURY AND/OR PROPERTY DAMAGE.

Owner must ensure that all players know and follow these rules for safe operation of the system.

- DO NOT HANG on the rim or any part of the system including backboard, support braces or net.
- During play, especially when performing dunk type activities, keep player's face away from the backboard, rim and net. Serious injury could occur if teeth/face come in contact with backboard, rim or net.
- Do not slide, climb, shake or play on base and/or pole.
- After assembly is complete, fill system completely with water or sand and stake to the ground. Never leave system in an upright position without filling base with weight, as system may tip over causing injuries.
- When adjusting height or moving system, keep hands and fingers away from moving parts.
- Do not allow children to move or adjust system.
- During play, do not wear jewelry (rings, watches, necklaces, etc.). Objects may entangle in net.
- Surface beneath the base must be smooth and free of gravel or other sharp objects. Punctures cause leakage and could cause system to tip over.
- Keep organic material away from pole base. Grass, litter, etc. could cause corrosion and/or deterioration.
- Check pole system for signs of corrosion (rust, pitting, chipping) and repaint with exterior enamel paint. If rust has penetrated through the steel anywhere, replace pole immediately.
- Check system before each use for proper ballast, loose hardware, excessive wear and signs corrosion and repair before use.
- Check system before each use for instability.
- Do not use system during windy and/or severe weather conditions; system may tip over. Place system in the storage position and/or in an area protected from the wind and free from personal property and/or overhead wires.
- Never play on damaged equipment.
- See instruction manual for proper installation and maintenance.
- When moving system, use caution to keep mechanism from shifting.
- Keep pole top covered with cap at all times.
- Do not allow water in tank to freeze. During sub-freezing weather add non-toxic antifreeze, sand or empty tank completely and store. (Do not use salt.)
- Use extreme caution if placing system on sloped surface. System may tip over more easily.

**HUFFY®SPORTS**

In the U.S.: 1-800-558-5234 and Canada: 1-800-284-8339

201241 2/99



# SAFETY INSTRUCTIONS



**FAILURE TO FOLLOW THESE SAFETY INSTRUCTIONS MAY RESULT IN SERIOUS INJURY, PROPERTY DAMAGE AND WILL VOID WARRANTY.**

*Owner must ensure that all players know and follow these rules for safe operation of the system.*

To ensure safety, do not attempt to assemble this system without following the instructions carefully. Proper and complete assembly, use and supervision is essential for proper operation and to reduce the risk of accident or injury. A high probability of serious injury exists if this system is not installed, maintained, and operated properly.

- If using a ladder during assembly, use extreme caution.
- Check base regularly for leakage. Slow leaks could cause the system to tip over unexpectedly
- Seat the pole sections properly (if applicable). Failure to do so could allow the pole sections to separate during play and/or during transport of the system.
- Climate, corrosion or misuse could result in system failure.
- If technical assistance is required, contact Huffy Sports.
- Minimum operational height is 6'6" (1.98m) to the bottom of backboard.

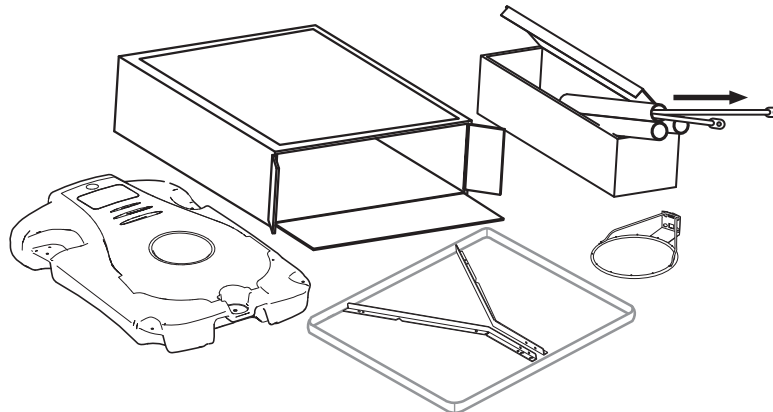
*Most injuries are caused by misuse and/or not following instructions.  
Use caution when using this unit.*

## NOTICE TO ASSEMBLERS

**ALL Huffy Sports basketball Systems, including those used for DISPLAYS, MUST be assembled and ballasted with sand or water according to instructions. Failure to follow instructions could result in SERIOUS INJURY. It is NOT acceptable to devise a makeshift weight system.**

## IMPORTANT!

**Remove all contents from boxes.  
Be sure to check inside pole sections,  
hardware and additional parts are packed inside.**



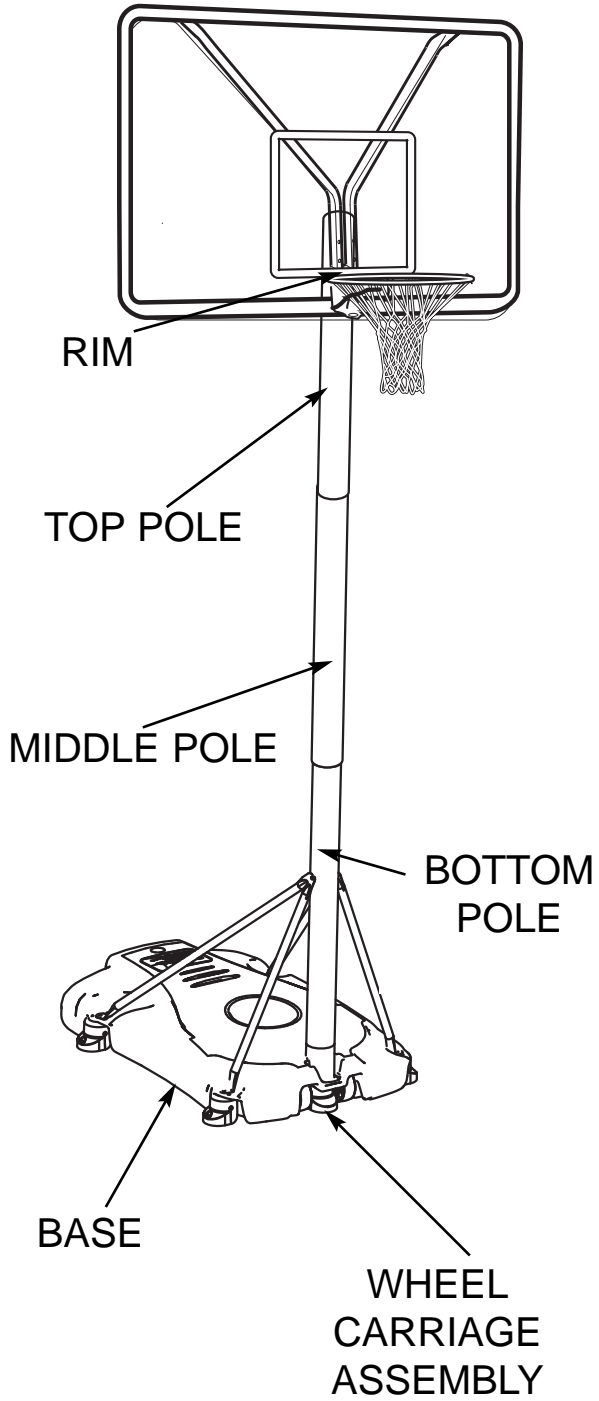
**Questions or Missing Parts?**

**DON'T go back to store!**

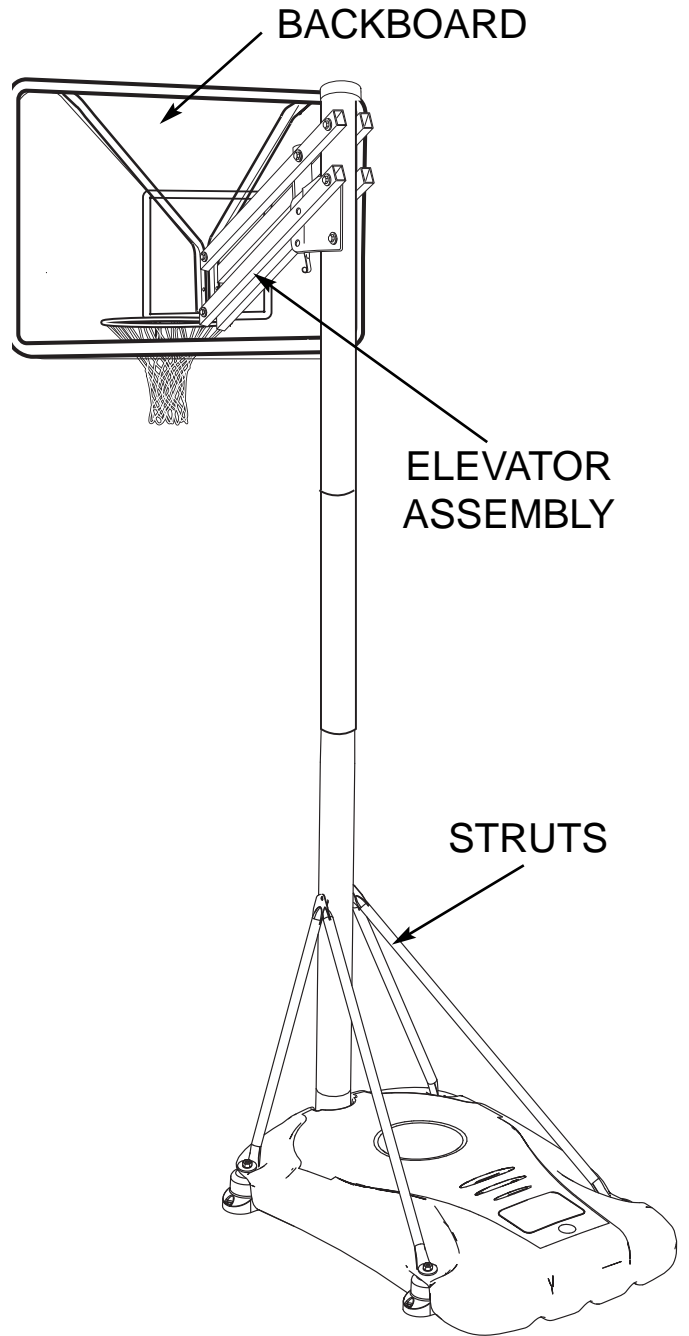
**Call TOLL-FREE Customer Service  
Number listed on the front page!**

**Get to know the basic parts of your basketball system.....**

**FRONT**



**BACK**



## PARTS LIST (See Hardware Identifier)

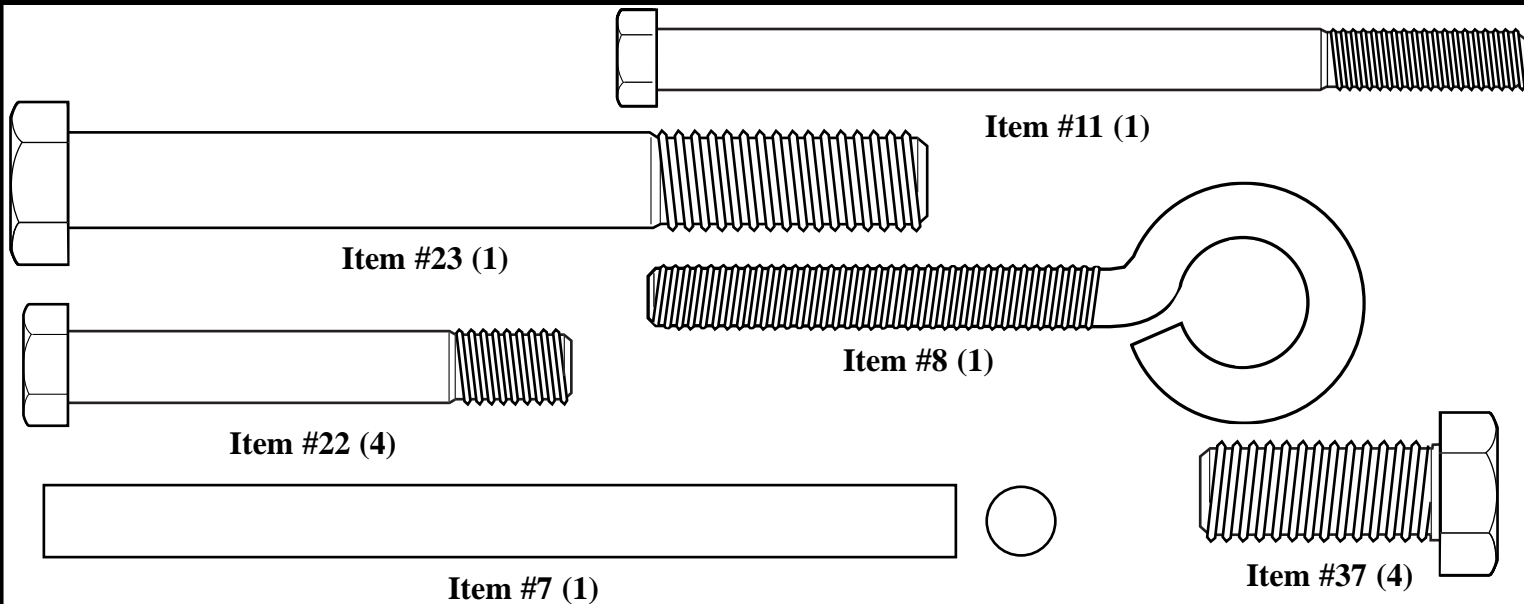
<u>Item</u>	<u>Qty.</u>	<u>Part No.</u>	<u>Description</u>
1	1	206647	Tank (Black)
2	1	200628	Wheel Axle
3	2	226401	Wheel
4	1	908136	Top Pole Section
5	1	908077	Middle Pole Section with Label
6	1	905840	Bottom Pole Section
7	1	202820	Rod, 3/8 O.D. x 4-3/4 Long
8	1	202822	Eye Bolt, 3/8 x 16 x 3-3/4 Long
9	5	202821	Disk, 2.75 O.D.
10	9	203063	Lock Nut, Nylon Insert, 3/8-16
11	1	202622	Bolt, Hex Head, 5/16-18 x 4-1/2
12	2	906411	Tank Strut, Short
13	2	900478	Tank Strut, Long
14	1	203220	Lock Nut, 5/16-18
15	1	201254	Label, Moving System
16	2	200874	Spacer, Steel .402 I.D. x .50 O.D. x 1.5 Long
17	8	203100	Nut, Hex Flange 5/16-18
18	1	900635	Rim
19	12*	201219	Clip, Net Holder
20	1	900416	Backboard Mounting Bracket
21	18	203309	Washer, 1 O.D.
22	4	206360	Bolt, Hex 3/8-16 x 2.65 Long
23	1	<b>206273</b>	<b>Bolt, Hex, 1/2-13 X 4.5" Long</b>
24	5	201382	Support Foot
25	1		Net
26	1	207103	Pole Cap
27	6	<b>201651</b>	<b>Spacer, Wheel Axle</b>
28	1	203617	Tank Cap
29	1	908139	Plate, Jack Support, Left
30	1	908137	Plate, Jack Support, Right
31	1	204085	Decal, Height Indication
32	5	206304	Bolt, Hex 1/2-13 X 6-5/16 Long
33	6	201642	Spacer, Plastic, .63" Long
34	4	908138	Elevator Tubes
35	7	206340	Lock-Nut, Nylon Insert, 1/2-13 for bolt #32
36	1	805231	Screw Jack
37	2	206249	Bolt, Hex 1/2-13 X 1.25" Long
38	2	201129	Spacer, .5"OD x 1.8 Long
39	1	206269	Spacer, .75" O.D., 4" Long
40	1	206234	Cover, Indicator
41	1	207103	Pole Cap
42	1	806259	Crank

### WARRANTY CARD:

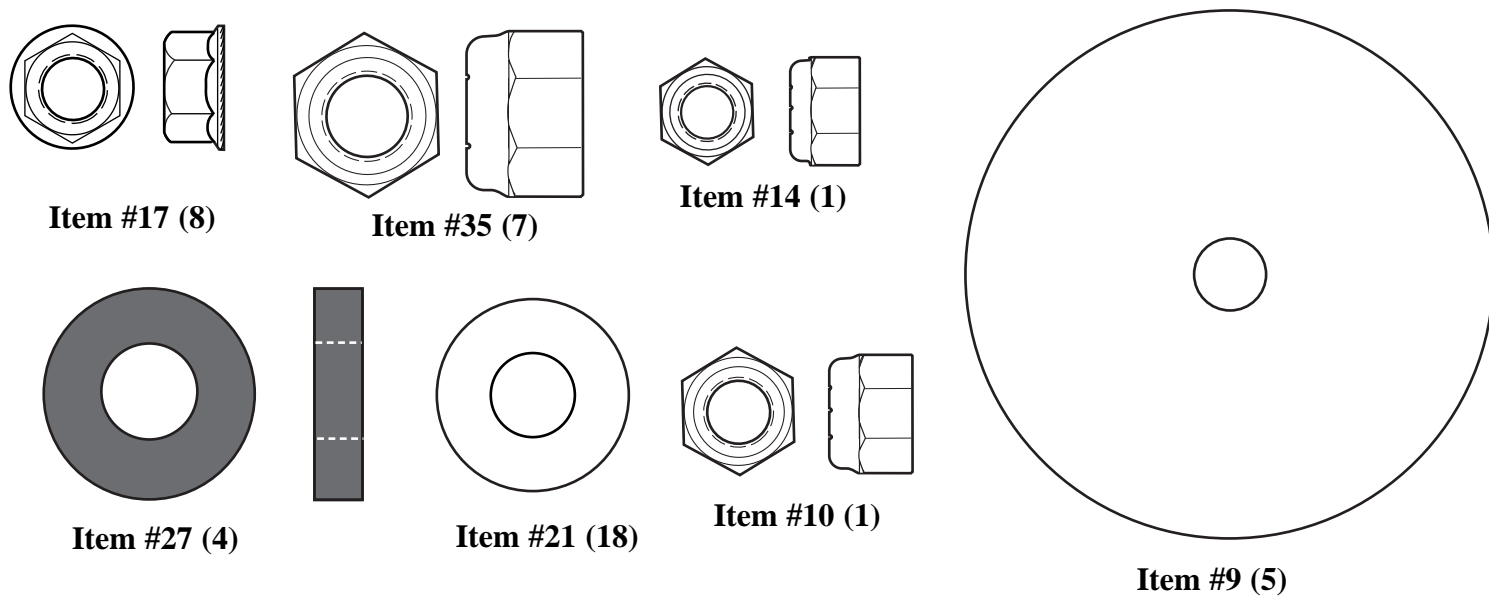
Please remember to complete your product registration form either on-line at:  
[www.huffysports.com/warrantycard](http://www.huffysports.com/warrantycard) or mail-in the enclosed postcard.

\* YOU MAY HAVE EXTRA PARTS WITH THIS MODEL.

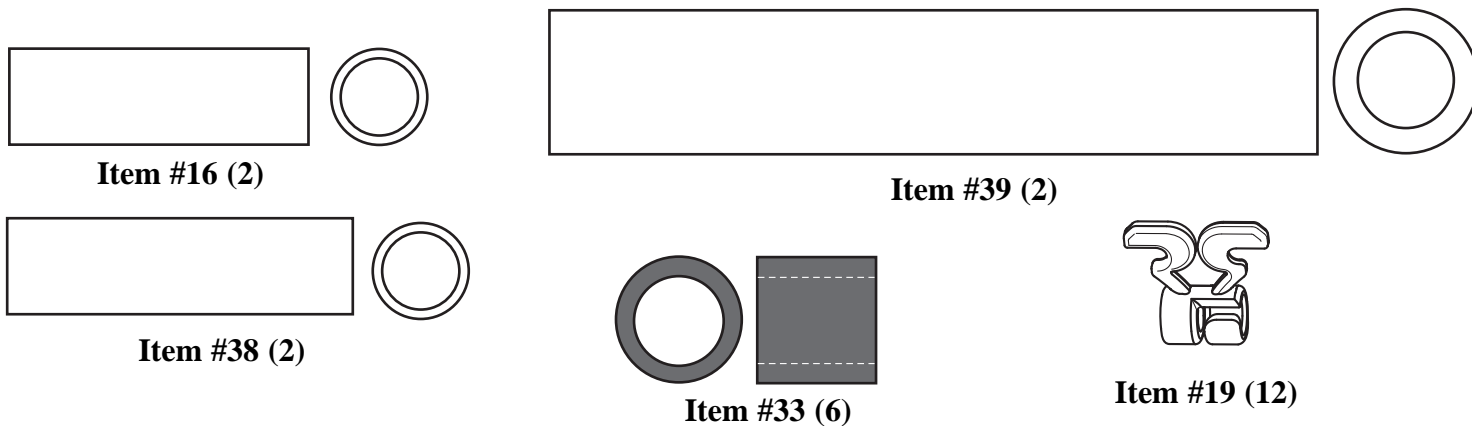
# HARDWARE IDENTIFIER (BOLTS)



# HARDWARE IDENTIFIER (NUTS & WASHERS)

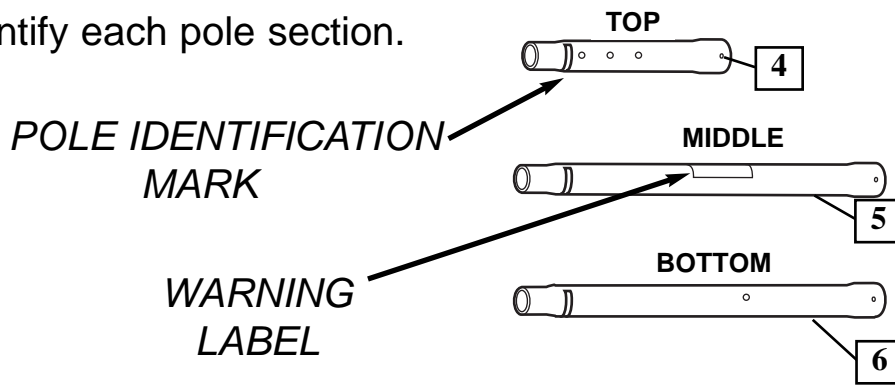


# HARDWARE IDENTIFIER (OTHER)

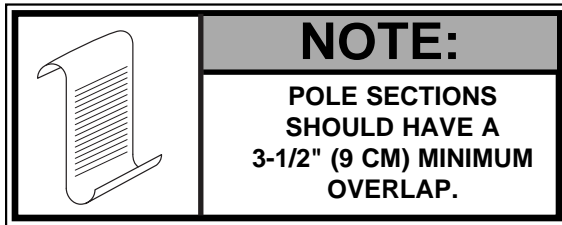


# SECTION A: ASSEMBLE THE POLES

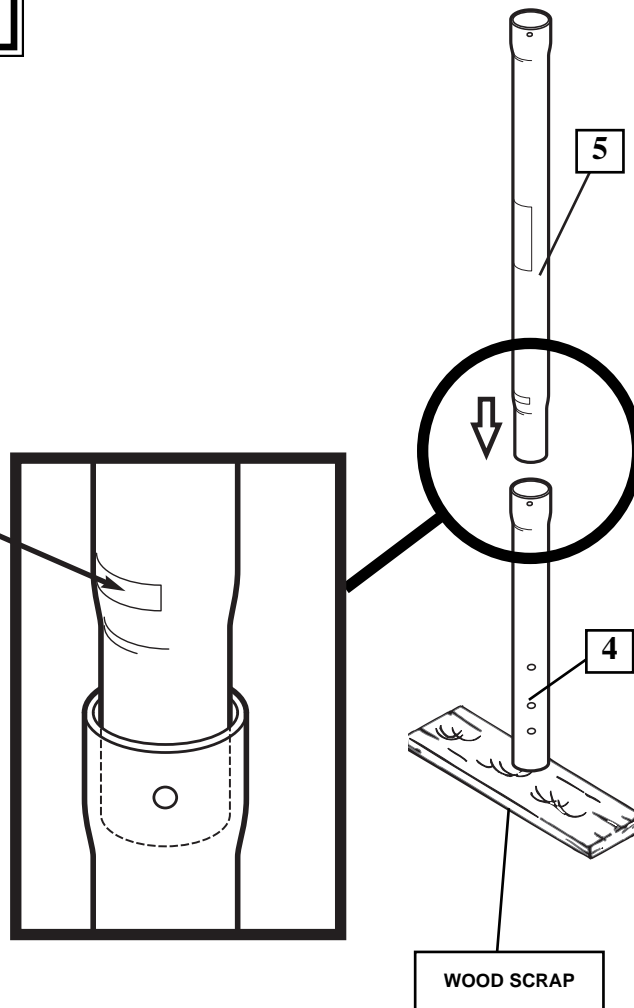
1. Correctly identify each pole section.



2. Bounce pole top (4) and middle section (5) together as shown until they no longer move toward pole identification mark. Upright assembly.

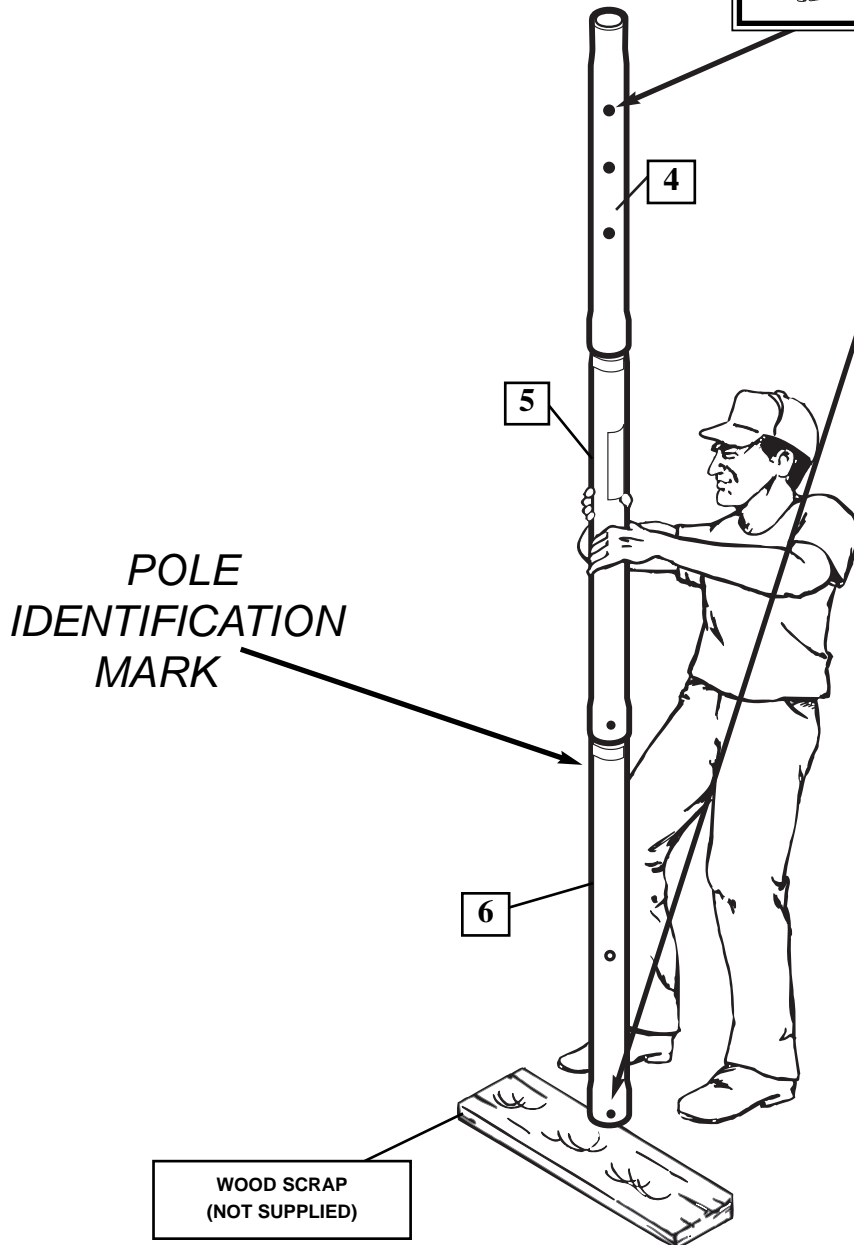
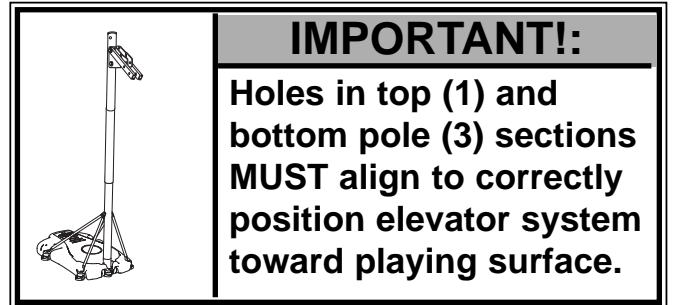
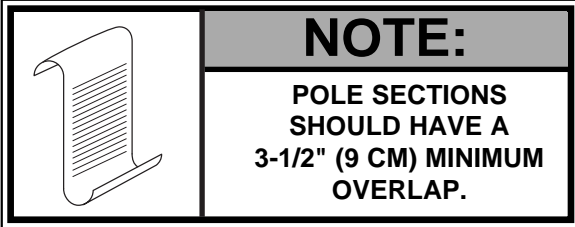


POLE IDENTIFICATION MARK



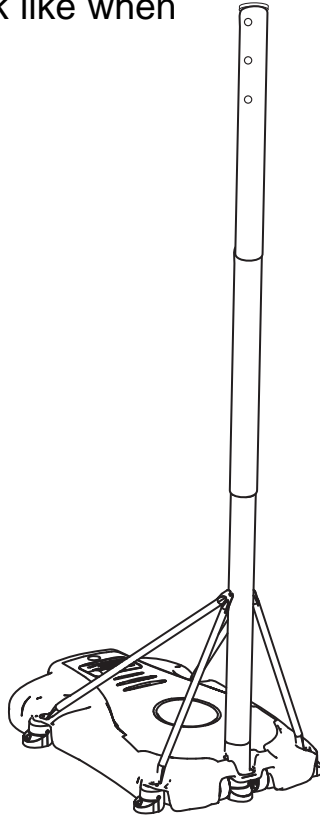


3. Bounce top and middle pole assembly and bottom pole (6) together as shown until they no longer move toward pole identification mark.



# SECTION B: ASSEMBLE THE BASE

This is what your system will look like when you've finished this section:



## TOOLS REQUIRED FOR THIS SECTION

**9/16" and 1/2"**

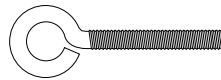


**OR**

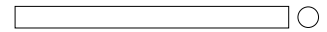


**9/16" and 1/2"**

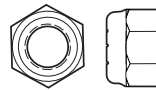
## HARDWARE USED IN THIS SECTION (not actual size)



**Item #8**



**Item #7**



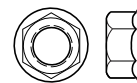
**Item #10**



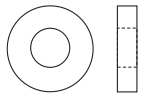
**Item #11**



**Item #14**



**Item #17**



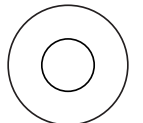
**Item #27**



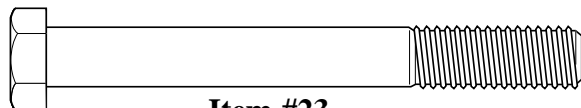
**Item #17**



**Item #14**



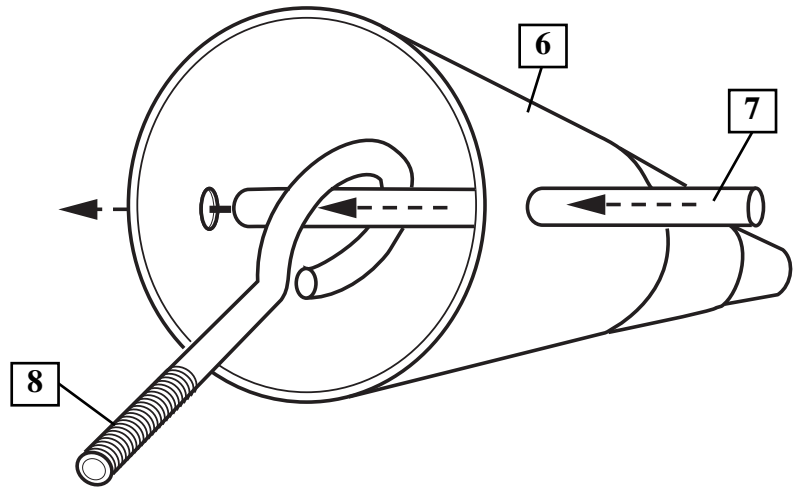
**Item #21**



**Item #23**

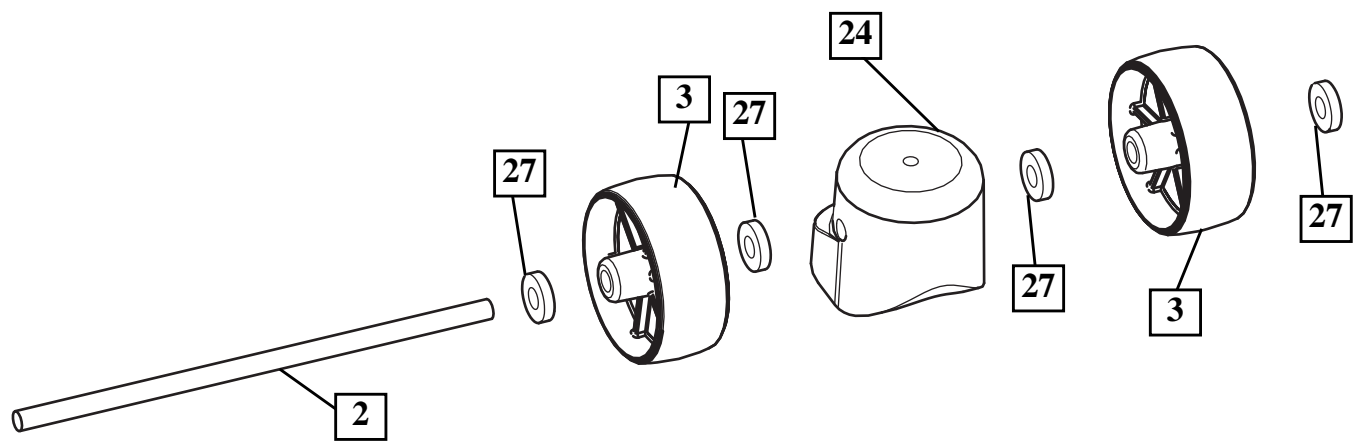
1.

Install rod (7) through holes in bottom pole (6) section and eyebolt (8).



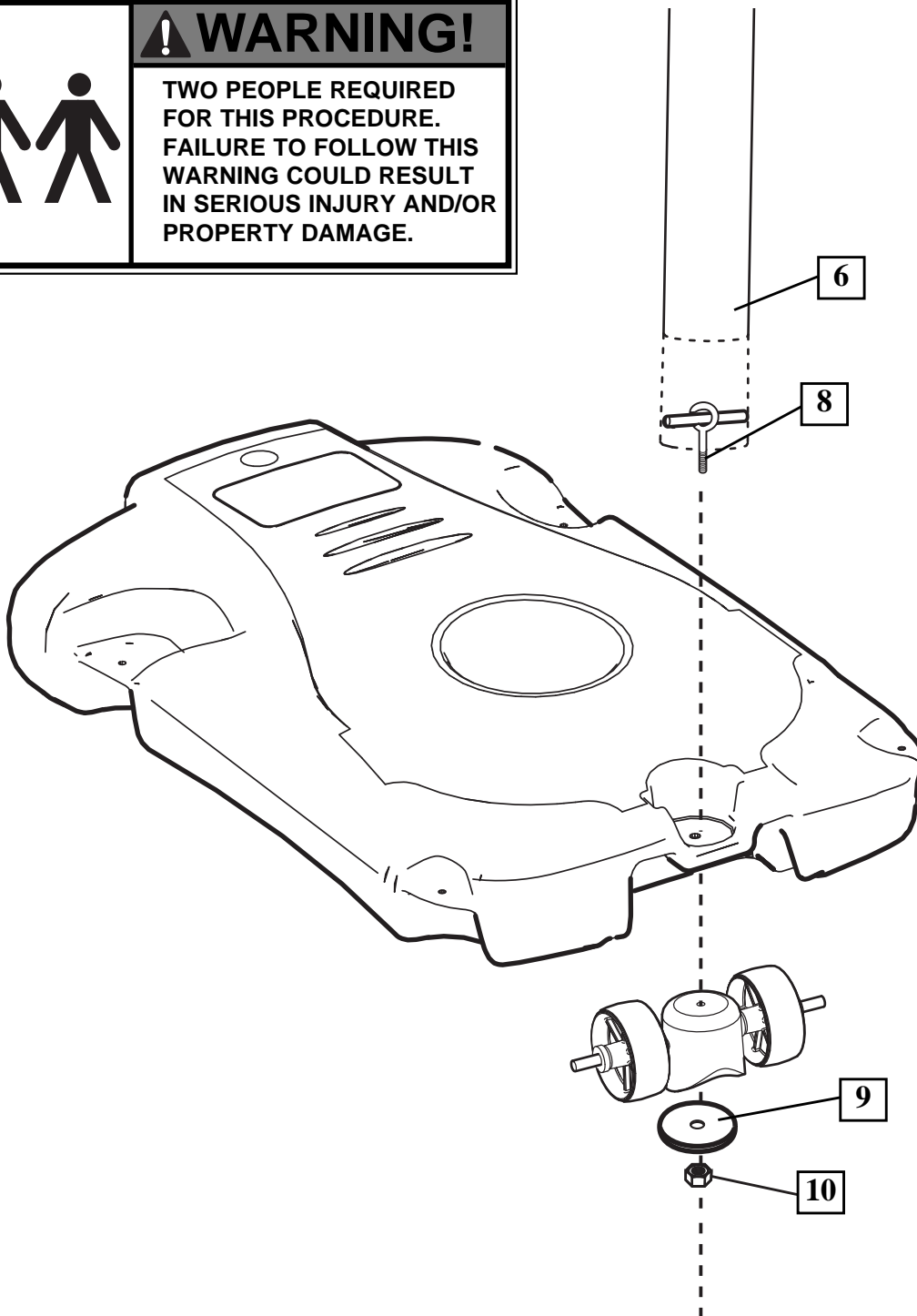
2.

Install wheel axle (2) through support foot (24) and install wheels (3) onto wheel axle (2) with spacers (27) as shown.

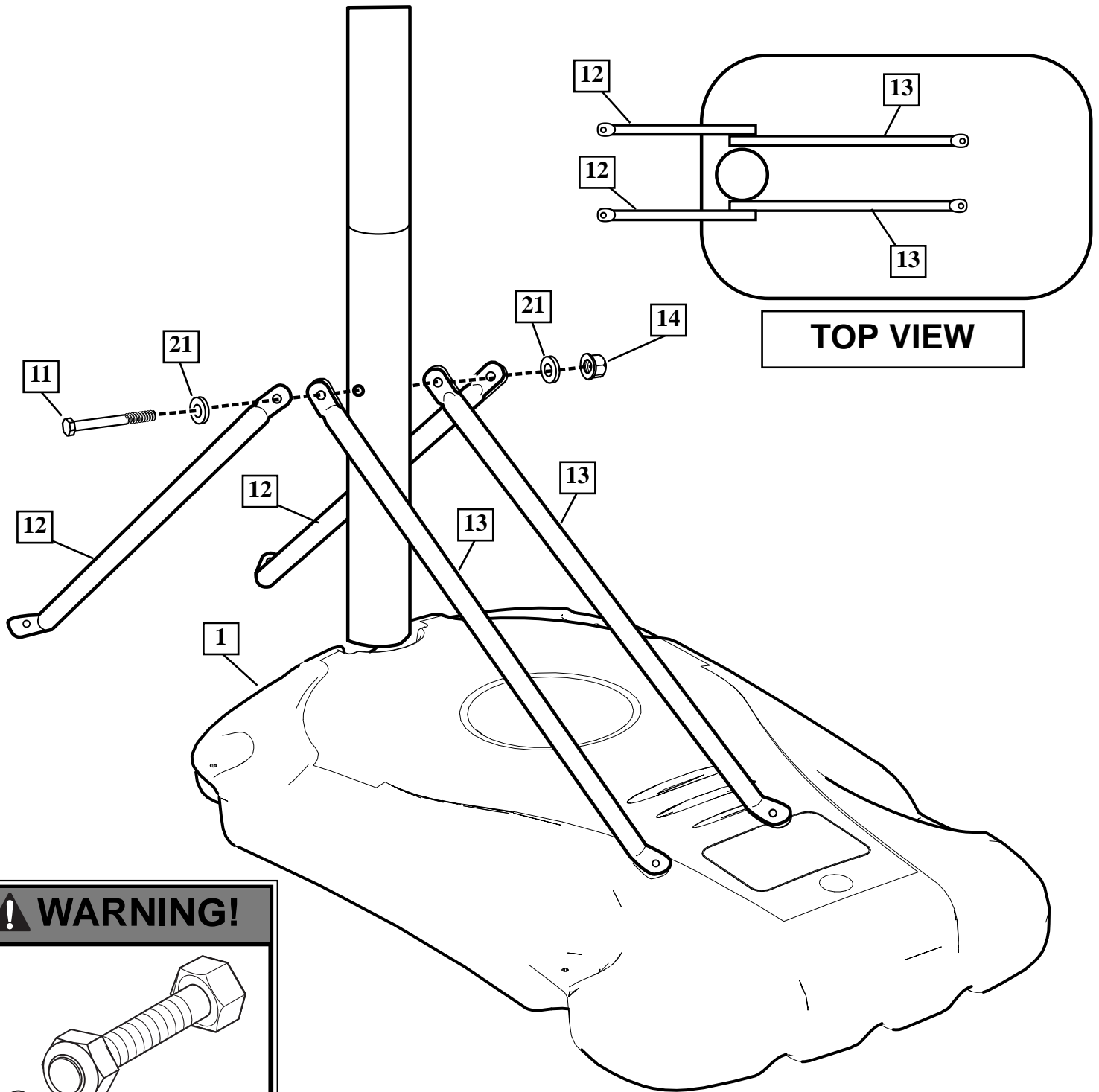


- 3.** Insert pole assembly into tank assembly as shown. Secure pole assembly to tank and wheel bracket as shown. **Note orientation of support foot.**

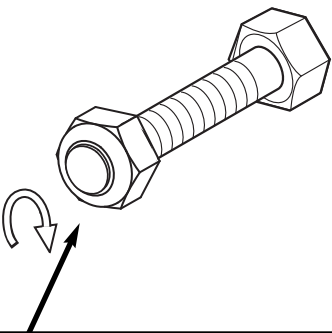
	<p><b>! WARNING!</b></p> <p>TWO PEOPLE REQUIRED FOR THIS PROCEDURE. FAILURE TO FOLLOW THIS WARNING COULD RESULT IN SERIOUS INJURY AND/OR PROPERTY DAMAGE.</p>
--	---



4. Secure tank struts (12 & 13) to pole.  
Nut (14) should be tightened until flush (even) with locknuts outer edge.



**! WARNING!**

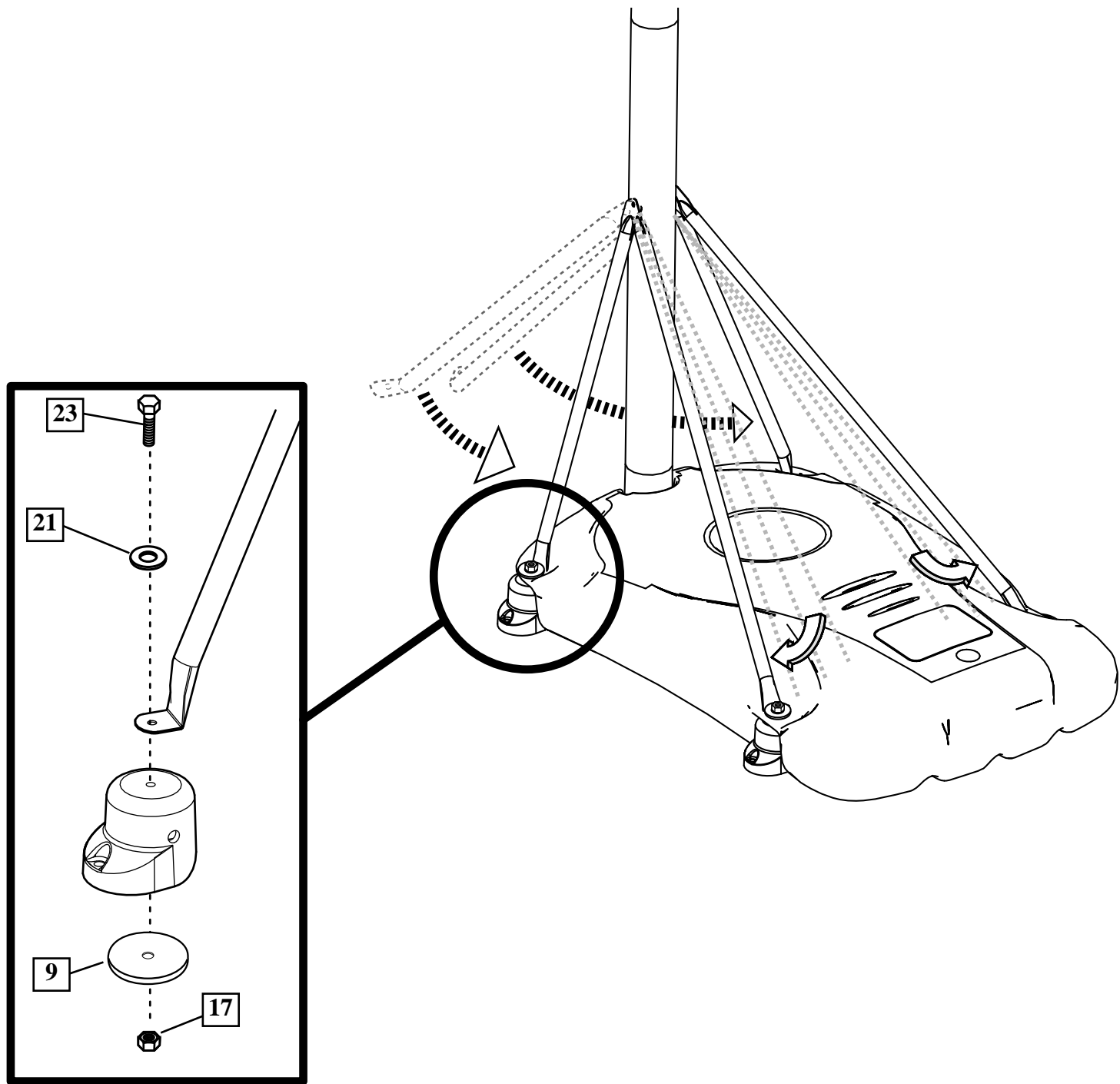


TIGHTEN BOLT (11) IN  
LOCK NUT (14) UNTIL  
FLUSH (EVEN) WITH LOCK  
NUT'S OUTER EDGE.

5.

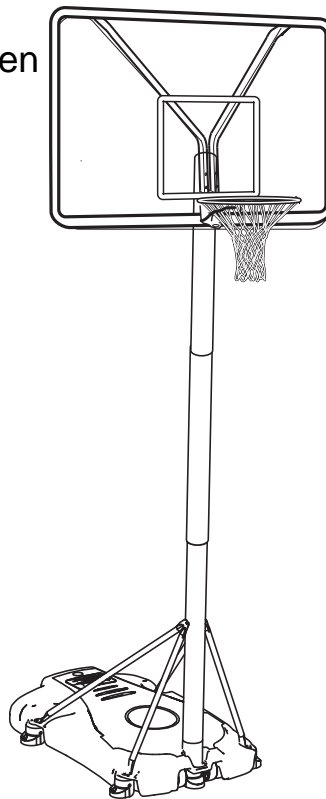
Rotate all non-secured ends of tank struts to mounting holes in tank as shown.

Secure non-secured ends of tank struts to tank as shown.

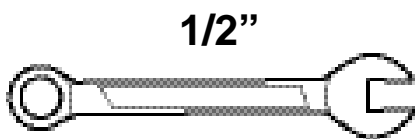


# SECTION C: ASSEMBLE THE BACKBOARD

This is what your system will look like when you've finished this section:



## TOOLS REQUIRED FOR THIS SECTION

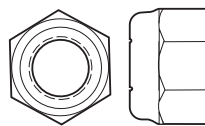


OR

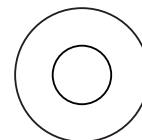


**1/2"**

## HARDWARE USED IN THIS SECTION



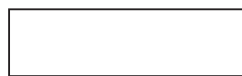
Item #35



Item #21



Item #10



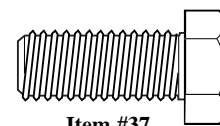
Item #38



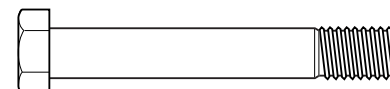
Item #33



Item #19

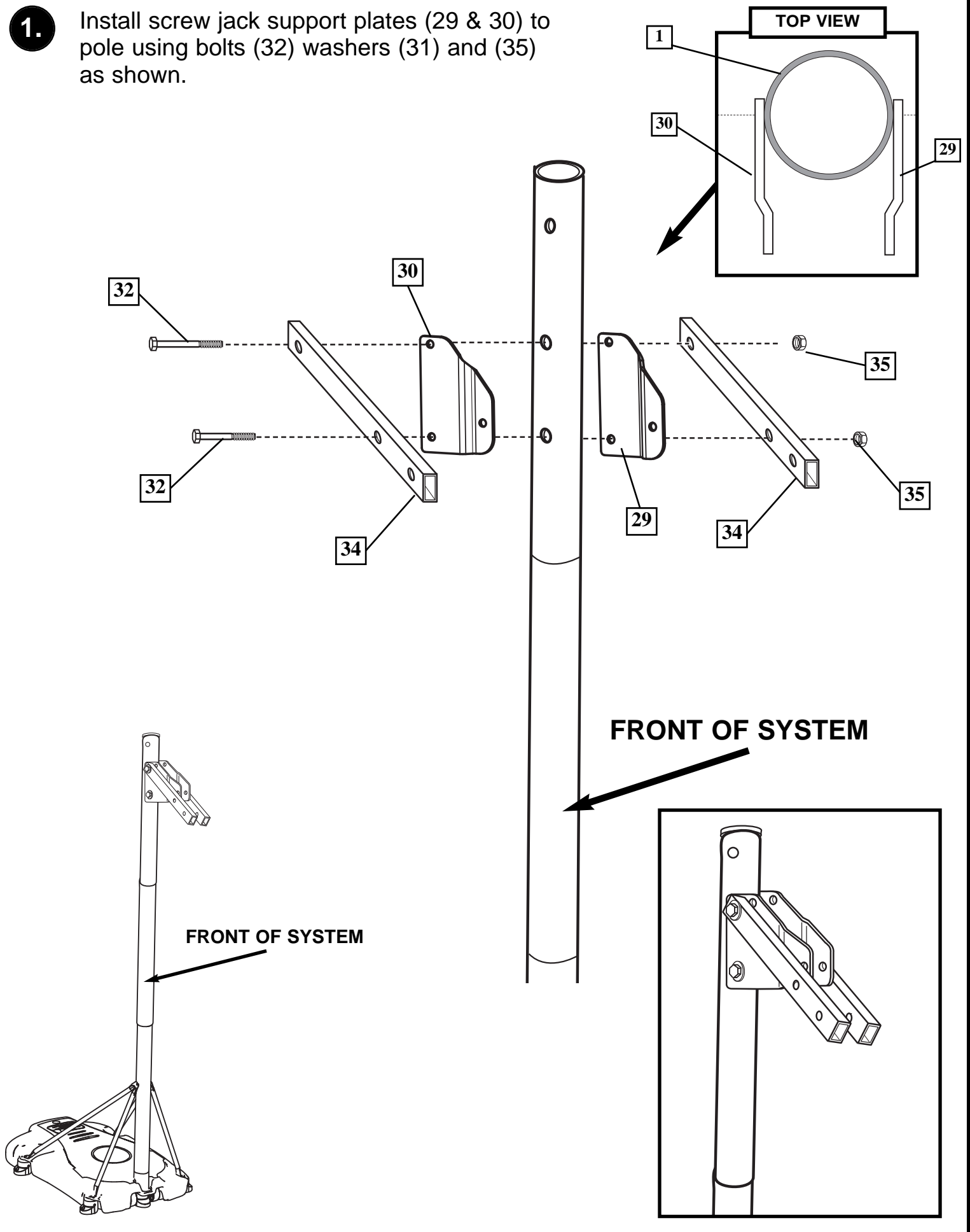


Item #37



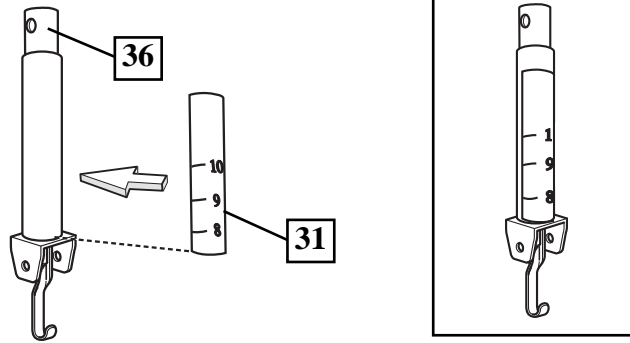
Item #22

- 1.** Install screw jack support plates (29 & 30) to pole using bolts (32) washers (31) and (35) as shown.

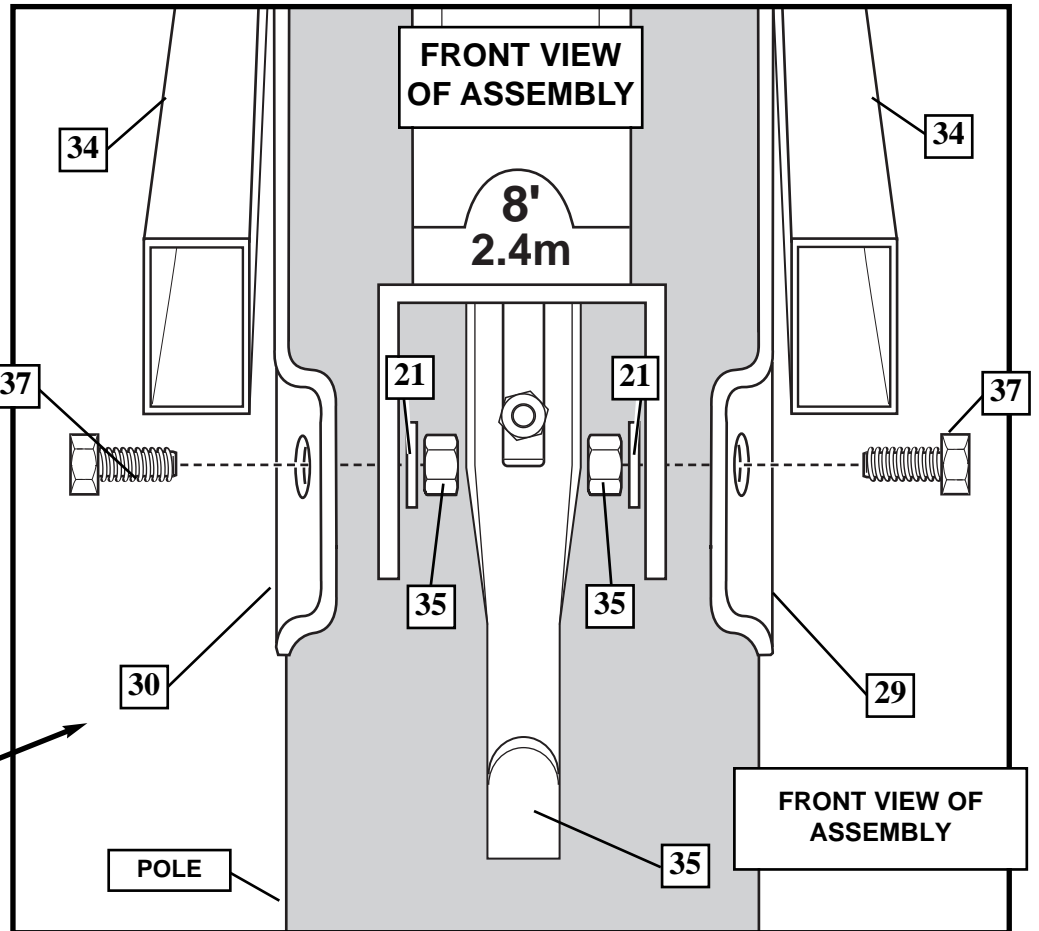
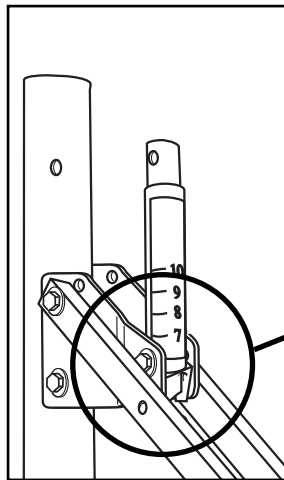




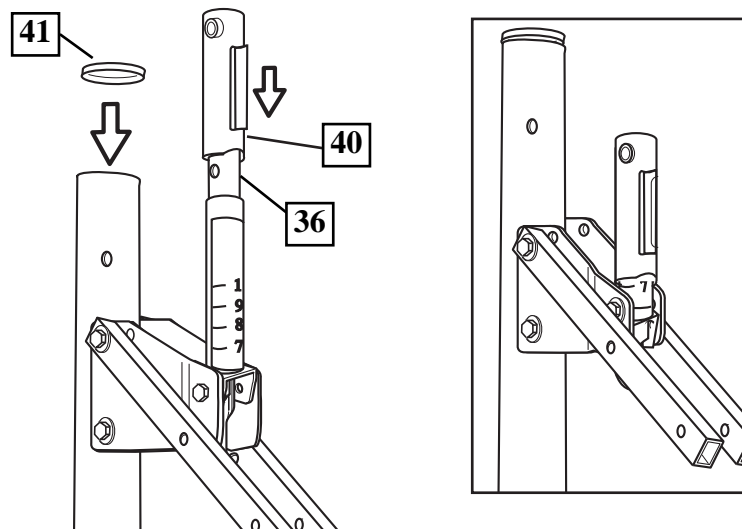
2. Attach height decal (31) to screw jack (36). Align lower edge of decal with bottom of black indicator tube.



3. Center screw jack (35) between jack plates (29 & 30) and secure as shown below. Do not overtighten.

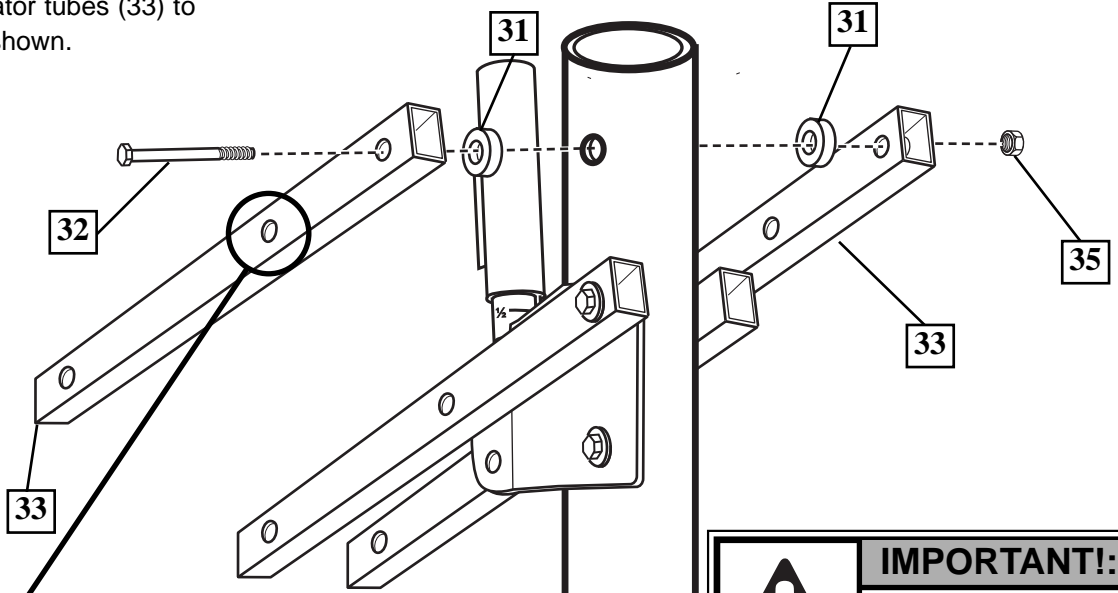


4. Place cover (40) over screw jack (36). Install pole cap (41).

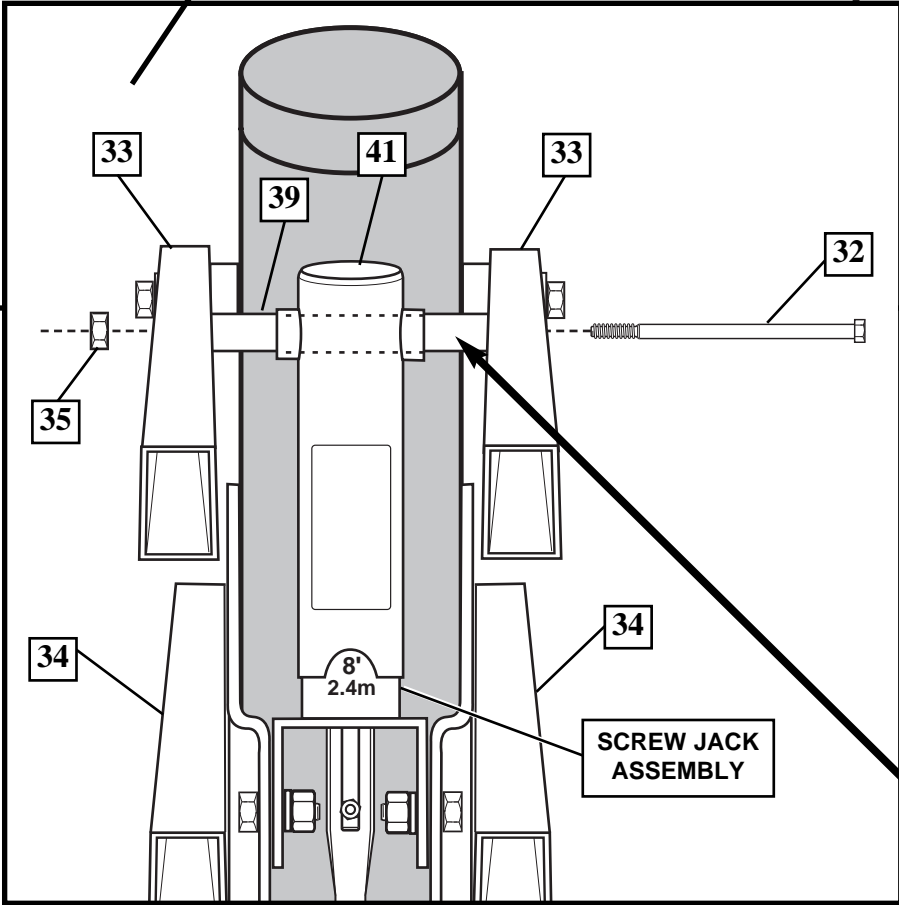


5.

Secure upper elevator tubes (33) to pole assembly as shown.



	<b>IMPORTANT!</b>
	<b>DO NOT OVER TIGHTEN</b>

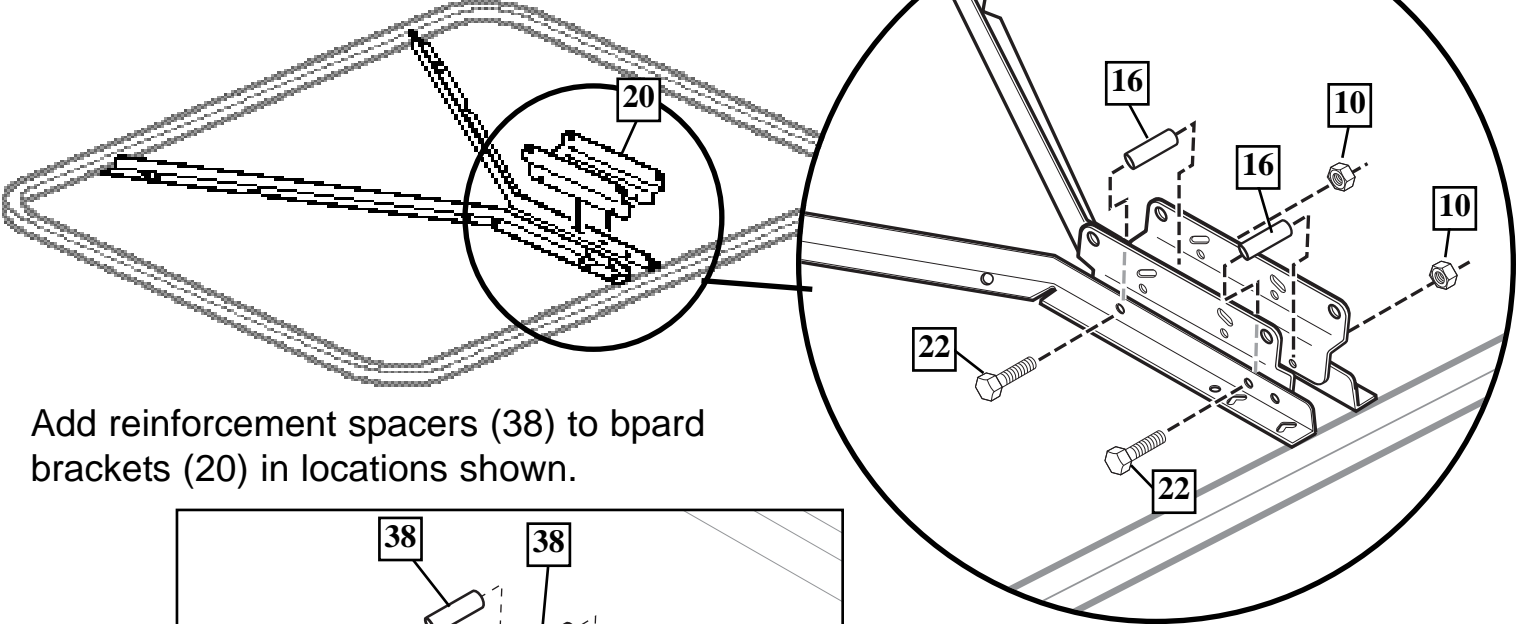


6.

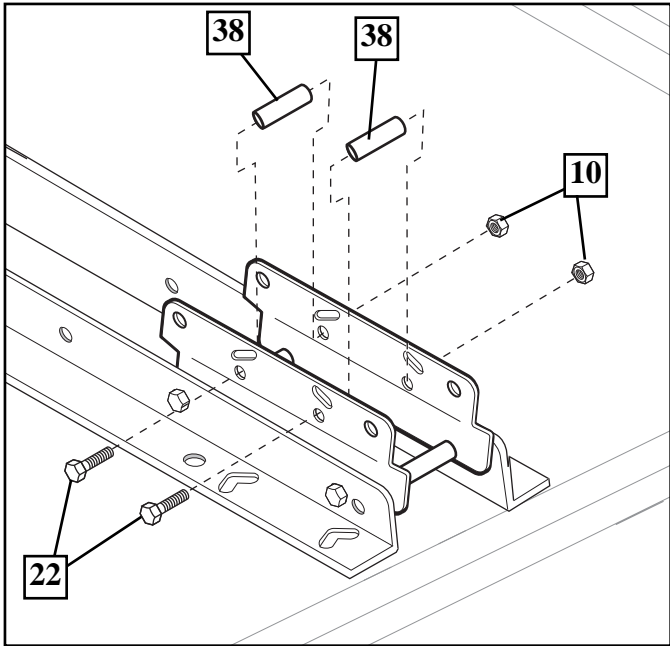
Insert spacer (39) through top holes of height indicator cover (41) and screw jack assembly as shown. Align spacer (39) and screw jack assembly between elevator tubes (33) and secure.

	<b>IMPORTANT!</b>
	 <b>#39</b> <b>WHEN SECURING SCREW JACK ASSEMBLY TO TOP ELEVATOR TUBES (33), USE SPACER (39) BETWEEN ELEVATOR TUBES AS SHOWN.</b>

**7.** Assemble backboard brackets (20) using spacers (16) bolts (22) and nuts (10) as shown.

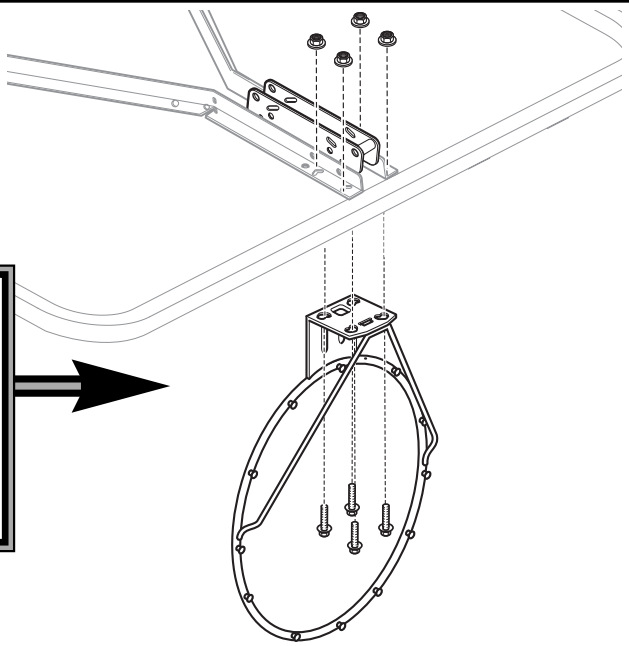


Add reinforcement spacers (38) to bpard brackets (20) in locations shown.

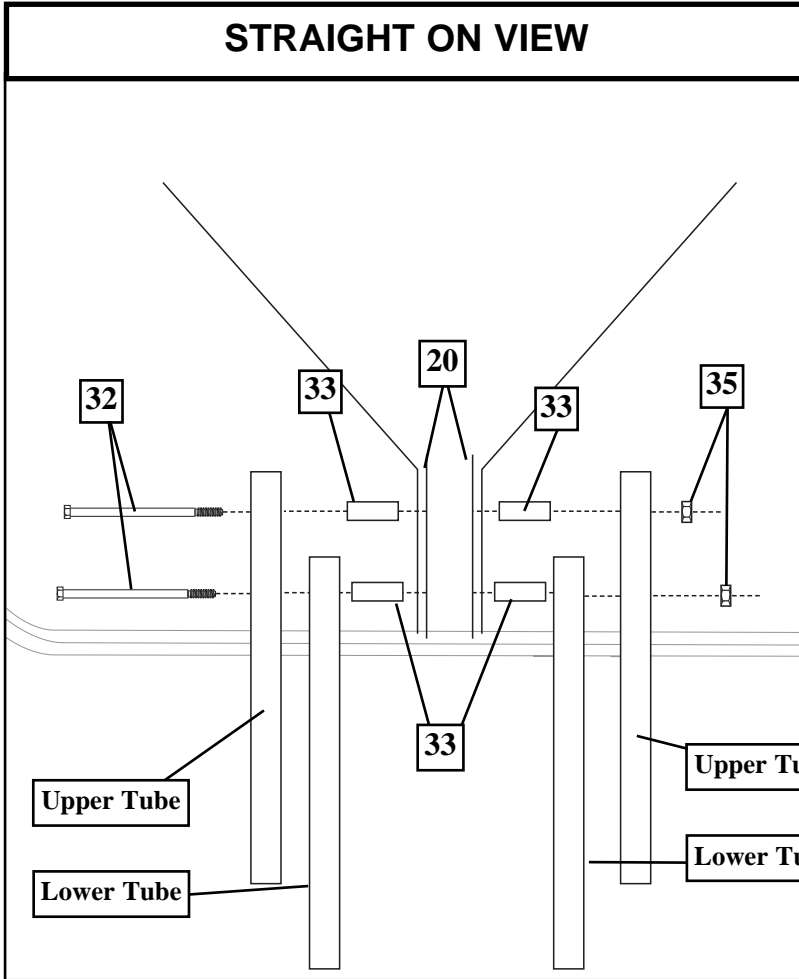


**8.**

**Refer To Instructions  
Included With Rim  
Hardware For Rim  
Assembly.**



9. Assemble backboard to elevator tubes (33 & 34) as shown.



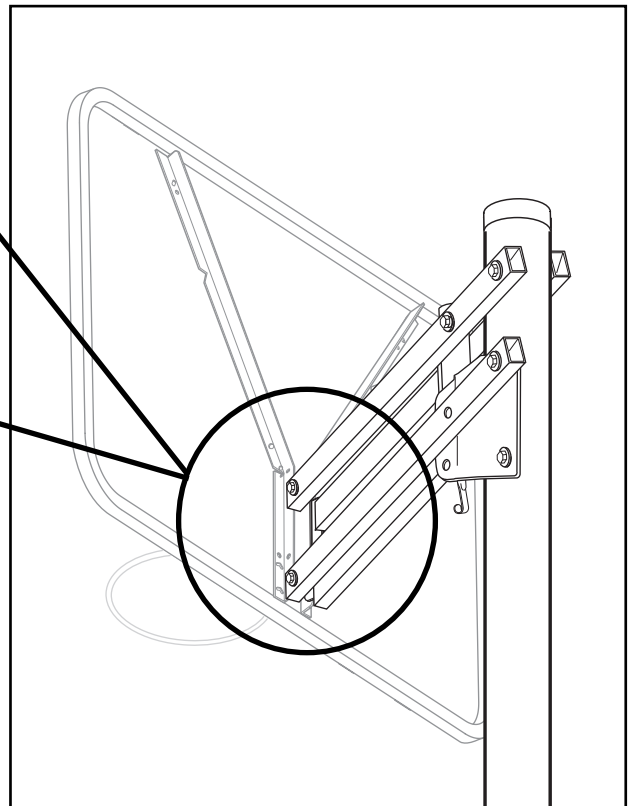
**! WARNING!**

TWO PEOPLE REQUIRED FOR THIS PROCEDURE. FAILURE TO FOLLOW THIS WARNING COULD RESULT IN SERIOUS INJURY AND/OR PROPERTY DAMAGE.



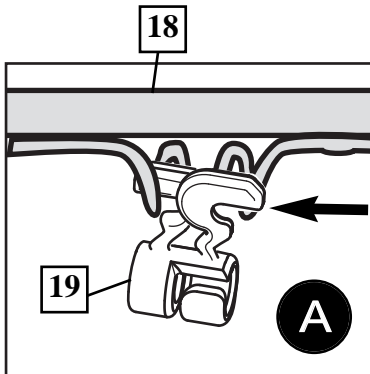
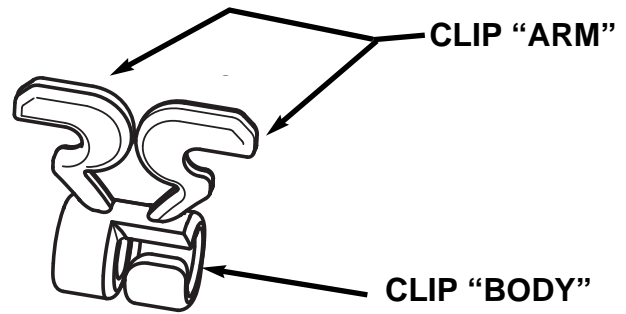
**! WARNING!**

DO NOT LEAVE ASSEMBLY UNATTENDED WHEN EMPTY; IT MAY TIP OVER.



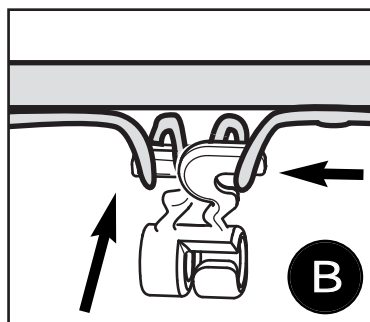
**10.** Install clips.

	<p><b>! WARNING!</b></p> <p>USE OF THIS PRODUCT WITHOUT PROPER INSTALLATION OF SMART CLIPS®, OR WHEN ALL SMART CLIPS® ARE NOT PRESENT COULD RESULT IN BODILY HARM. BE SURE TO FOLLOW DIRECTIONS CAREFULLY.</p>
--	--

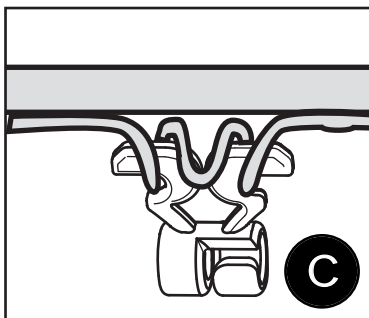


Insert one "arm" of clip into ram as shown. Twist "body" of clip slightly so that second "arm" slides over the top of the first "arm" as shown.

Push in direction indicated by arrow.



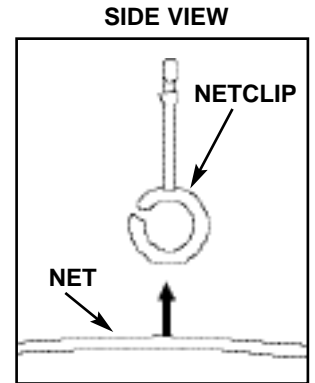
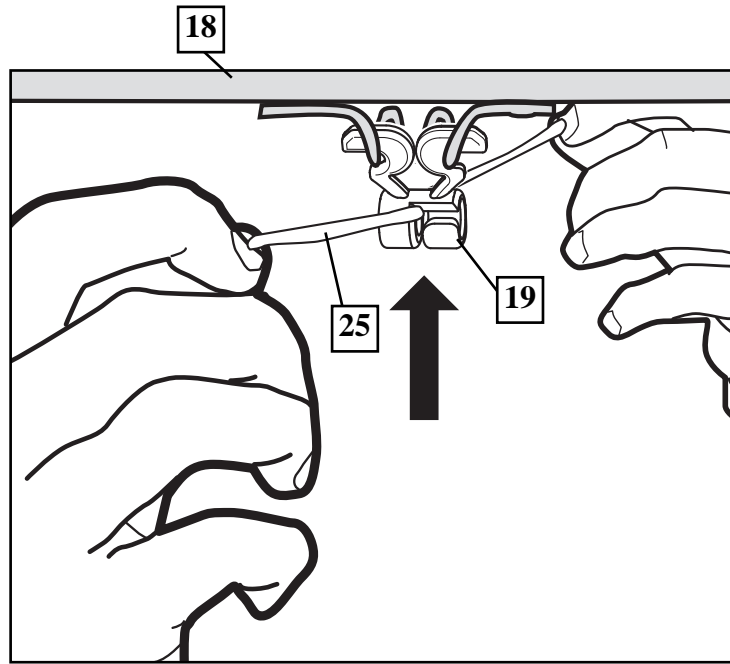
Push second "arm" back and into ram as shown.



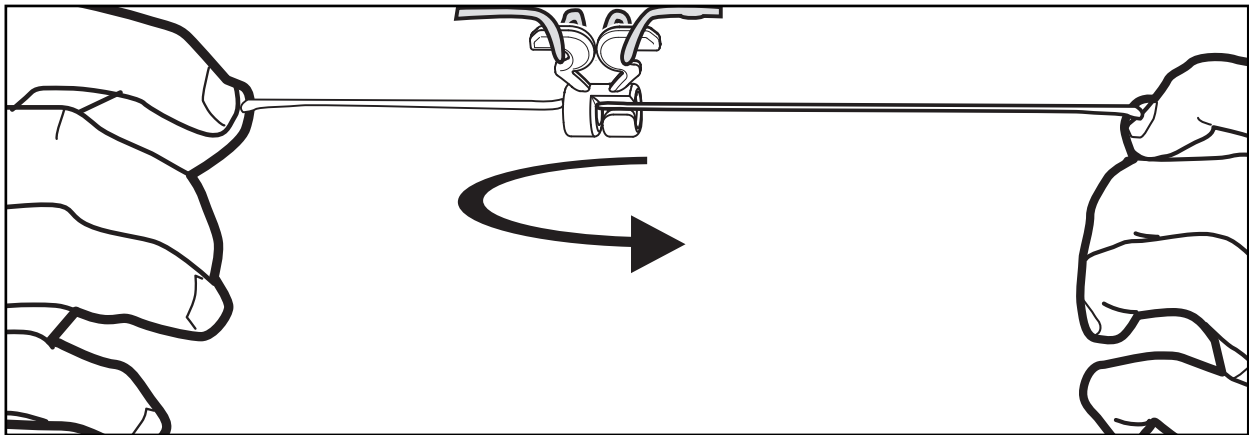
Twist "body" of clip slightly again to spread "arms" of clip. Clip "arms" must be flat and touching edge to edge as shown, not overlapping.

# NET INSTALLATION

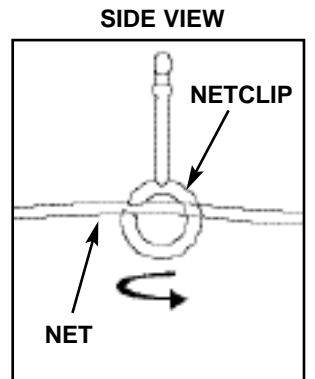
10.



Insert net into bottom of clip as shown.

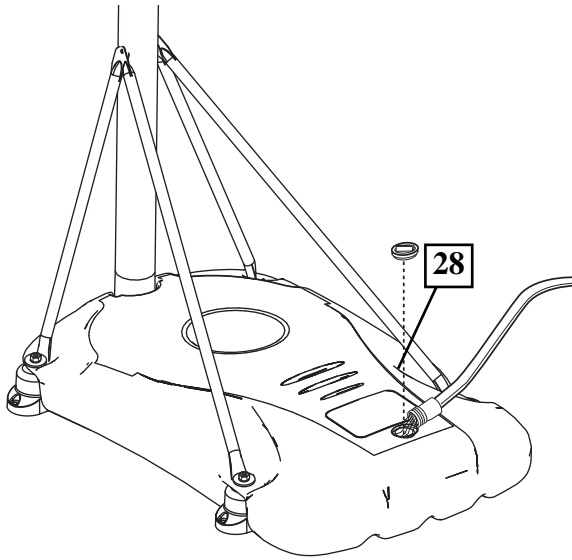


Twist net until it snaps into position.  
Net must be centered through clip.



## SECTION D: SECURING THE SYSTEM

1. Place assembled unit to desired location. Fill tank with water (28 gallons (114 liters)) or sand (360 lb. (163 kg)) and snap tank cap (28) in place.



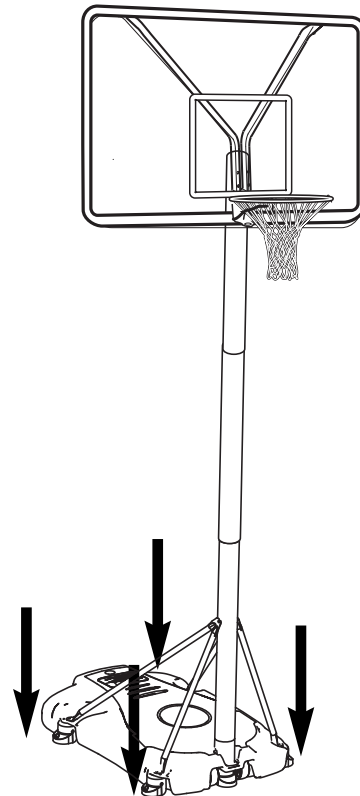
	<b>! CAUTION!</b>
	ADD TWO GALLONS (7.6 LITERS) OF NON-TOXIC ANTIFREEZE IN SUB-FREEZING CLIMATES.

	<b>NOTE:</b>
	<b><i>IF FILLING WITH SAND:</i></b> 2 GALLONS OF ANTI-FREEZE IS <b><u>NOT</u></b> REQUIRED

	<b>! WARNING!</b>
	TWO PEOPLE REQUIRED FOR THIS PROCEDURE. FAILURE TO FOLLOW THIS WARNING COULD RESULT IN SERIOUS INJURY AND/OR PROPERTY DAMAGE.

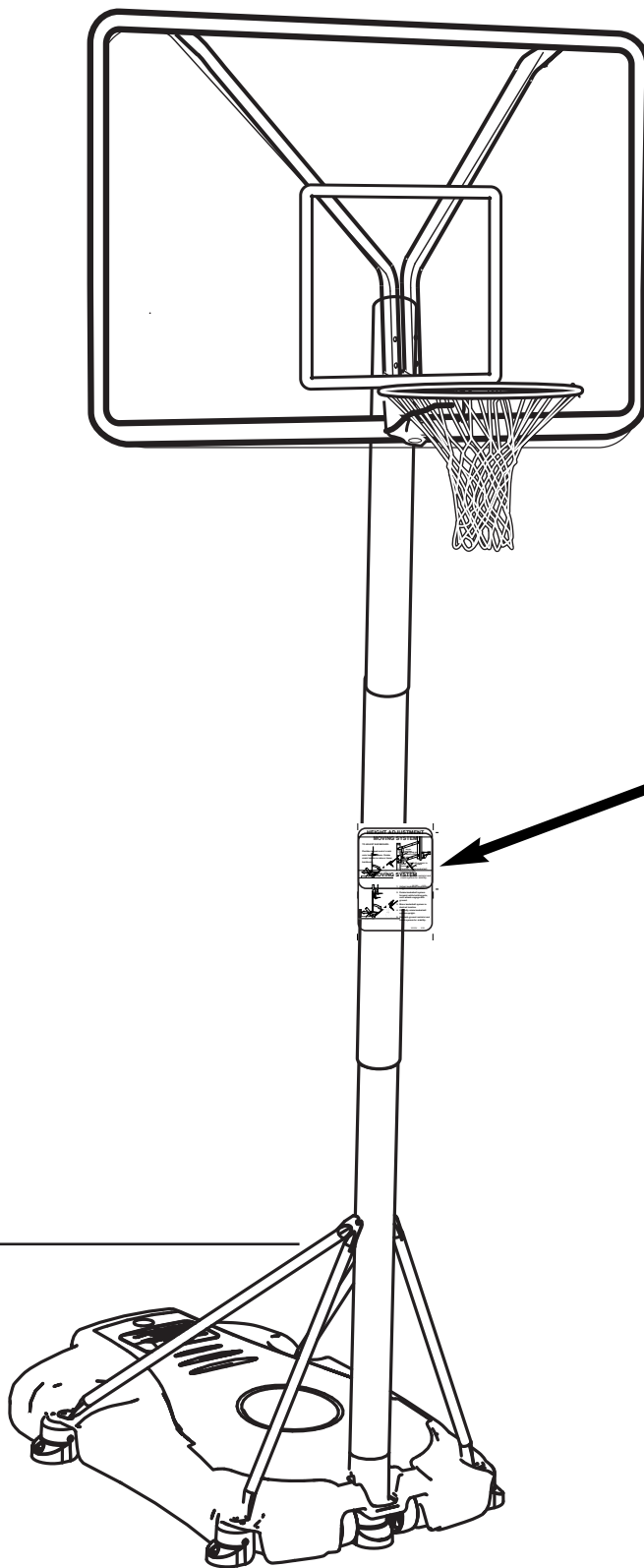
Secure system rigidly to a flat, solid (preferably concrete) surface using lag bolts or a similar anchoring system through holes in support feet as shown.

This step must be done to conform to EN1270 standards.



# SECTION E: APPLY HEIGHT AND MOVING LABEL

1. Apply Moving Label (15) to front of pole, where it is clearly visible.

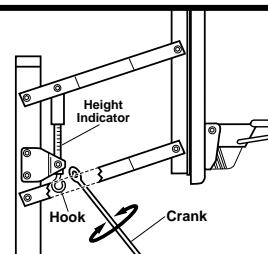


15

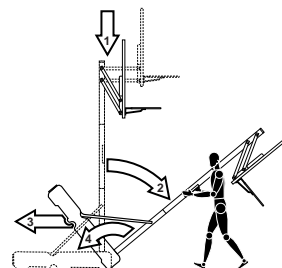
## HEIGHT ADJUSTMENT

### TO ADJUST BACKBOARD:

Position looped end of crank onto hook as shown. Rotate crank handle to raise or lower backboard.



## MOVING SYSTEM



1. Adjust basketball backboard height to lowest position.
2. Rotate basketball system forward, while holding pole, until wheels engage with ground.
3. Move basketball system to desired location.
4. Carefully rotate basketball system upright.
5. Reattach ground restraint and check system for stability.

201254 2/99



# SECTION G: HEIGHT ADJUSTMENT

1. Position looped end of height adjustment crank (42) onto hook as shown. Rotate crank handle to raise or lower backboard. View label (31) to determine approximate backboard height.

**NOTE:** If height adjustment is difficult to operate, you may have over tightened the areas indicated.

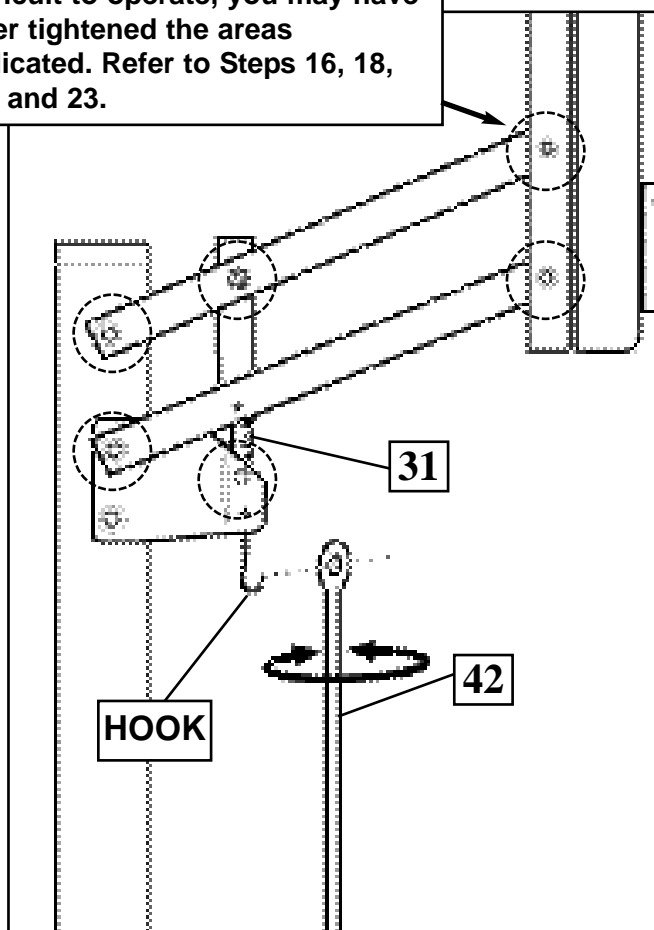
## WARNING!

STORE CRANK OUT OF REACH OF CHILDREN. DO NOT ALLOW CHILDREN TO ADJUST HEIGHT WITHOUT ADULT SUPERVISION, COULD RESULT IN SERIOUS BODILY HARM AND/OR PROPERTY DAMAGE.



Regulation Rim Height is 10 feet (3.05 m).

**NOTE:** If height adjustment is difficult to operate, you may have over tightened the areas indicated. Refer to Steps 16, 18, 20, and 23.



## Free Manuals Download Website

<http://myh66.com>

<http://usermanuals.us>

<http://www.somanuals.com>

<http://www.4manuals.cc>

<http://www.manual-lib.com>

<http://www.404manual.com>

<http://www.luxmanual.com>

<http://aubethermostatmanual.com>

Golf course search by state

<http://golfingnear.com>

Email search by domain

<http://emailbydomain.com>

Auto manuals search

<http://auto.somanuals.com>

TV manuals search

<http://tv.somanuals.com>