

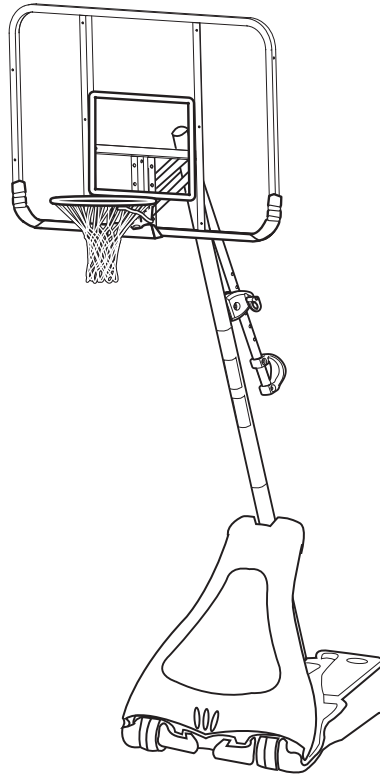
# HUFFY<sup>®</sup>SPORTS

A DIVISION OF RUSSELL CORPORATION

## Portable System Owners Manual


Customer Service Center

• N53 W24700 South Corporate Circle • Sussex, WI 53089 • U.S.A.










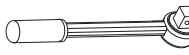




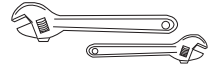
Write Model Number  
From Box Here:

**! WARNING!**



READ AND UNDERSTAND  
OPERATOR'S MANUAL  
BEFORE USING THIS UNIT.

FAILURE TO FOLLOW  
OPERATING INSTRUCTIONS  
COULD RESULT IN INJURY  
OR DAMAGE TO  
PROPERTY.

<b>REQUIRED TOOLS AND MATERIALS:</b>			
<ul style="list-style-type: none"> <li> • 2 People</li> <li> • Tape Measure</li> <li> • Wood Board (scrap)</li> <li> • Sawhorse or Support Table</li> <li> • Hammer</li> <li> • Step Ladder 8 ft. (2.4m)</li> <li> • Safety Glasses</li> </ul>	<ul style="list-style-type: none"> <li>• (2 each) Wrenches 7/16"    1/2"    9/16"    3/4"</li> <li style="text-align: center;">AND/OR</li> <li>• (2) Socket Wrenches and Sockets </li> <li>7/16"    1/2"    9/16"    3/4"</li> <li>• Extension </li> <li>• Tape </li> <li>• Phillips-Head Screwdriver </li> </ul>	<ul style="list-style-type: none"> <li>• Garden Hose or Sand </li> <li>• Optional: Large &amp; Small Adjustable Wrenches </li> </ul>	

Toll-Free Customer Service Number for U.S: 1-800-558-5234,

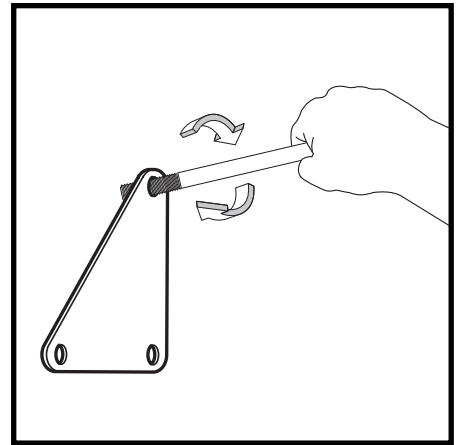
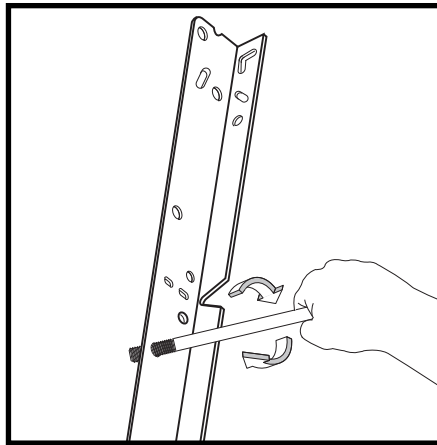
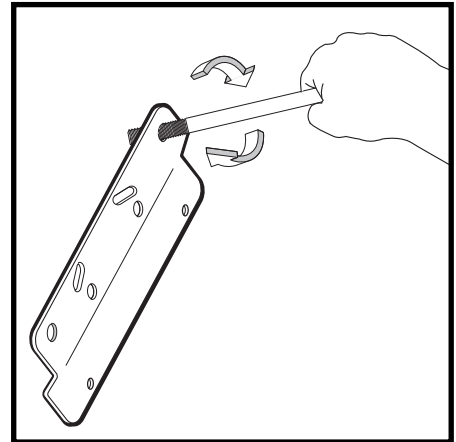
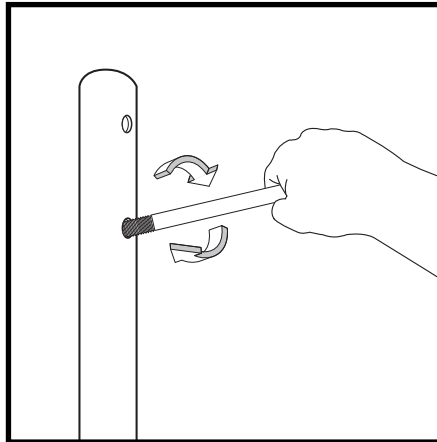
For Canada: 1-800-284-8339,

For Europe: 00 800 555 85234 (Sweden: 009 555 85234),

For Australia: 1-800-333 061

Internet Address: <http://www.huffysports.com>

# BEFORE YOU START!



To ensure optimal playability of backboard system, a close tolerance fit between the elevator components and hardware is required. Test-fit large bolts into large holes of elevator tubes, backboard brackets, and triangle plates. Carefully rock them in a circular motion to ream out any excess paint from holes if necessary.

**NOTE:** Not all items pictured are included with every model.



## WARNING

Read and understand warnings listed below before using this product.

Failure to follow these warnings may result in serious injury and/or property damage.

Owner must ensure that all players know and follow these rules for safe operation of the system.

- **DO NOT HANG** on the rim or any part of the system including backboard, support braces or net.
- During play, especially when performing dunk type activities, keep player's face away from the backboard, rim and net. Serious injury could occur if teeth/face come in contact with backboard, rim or net.
- Do not slide, climb, shake or play on base and/or pole.
- After assembly is complete, fill system completely with water or sand. Never leave system in an upright position without filling base with weight, as system may tip over causing injuries.
- When adjusting height or moving system, keep hands and fingers away from moving parts.
- Do not allow children to move or adjust system.
- During play, do not wear jewelry (rings, watches, necklaces, etc.). Objects may entangle in net.
- Surface beneath the base must be smooth and free of gravel or other sharp objects. Punctures cause leakage and could cause system to tip over.
- Keep organic material away from pole base. Grass, litter, etc. could cause corrosion and/or deterioration.
- Check pole system for signs of corrosion (rust, pitting, chipping) and repaint with exterior enamel paint. If rust has penetrated through the steel anywhere, replace pole immediately.
- Check system before each use for proper ballast, loose hardware, excessive wear and signs of corrosion and repair before use.
- Check system before each use for instability.
- Do not use system during windy and/or severe weather conditions; system may tip over. Place system in the storage position and/or in an area protected from the wind and free from personal property and/or overhead wires.
- Never play on damaged equipment.
- When moving system, use caution to keep mechanism from shifting.
- Keep pole top covered with cap at all times.
- Do not allow water in tank to freeze. During sub-freezing weather add 2 gallons of non-toxic antifreeze, sand or empty tank completely and store. (Do not use salt.)
- While moving system, do not allow anyone to stand or sit on base or have added ballasting on base.
- Do not leave system unsupervised or play on system when wheels are engaged for moving.
- Use Caution when moving system across uneven surfaces. System may tip over.
- Use extreme caution if placing system on sloped surface. System may tip over more easily.
- See instruction manual for proper installation and maintenance.

**SPALDING**  
In the U.S.: 1-800-558-5234  
In Canada: 1-800-284-8339

**HYDRA-RIB**  
In the U.S.: 1-800-334-9111

**RUSSELL**  
ATHLETIC

**SURE SHOT**  
In the U.S.: 1-888-713-5488

**HUFFY SPORTS**  
In the U.S.: 1-800-558-5234  
In Canada: 1-800-284-8339

ID#: 556790 05/05



# SAFETY INSTRUCTIONS



FAILURE TO FOLLOW THESE SAFETY INSTRUCTIONS MAY RESULT IN SERIOUS INJURY OR PROPERTY DAMAGE AND WILL VOID WARRANTY.

*Owner must ensure that all players know and follow these rules for safe operation of the system.*

To ensure safety, do not attempt to assemble this system without following the instructions carefully. Check entire box and inside all packing material for parts and/or additional instruction material. Before beginning assembly, read the instructions and identify parts using the hardware identifier and parts list in this document. Proper and complete assembly, use, and supervision are essential for proper operation and to reduce the risk of accident or injury. A high probability of serious injury exists if this system is not installed, maintained, and operated properly.

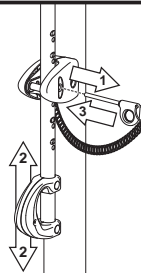
- If using a ladder during assembly, use extreme caution.
- Two (2) people are recommended for this operation.
- Check base regularly for leakage. Slow leaks could cause system to tip over unexpectedly.
- Seat the pole sections properly (if applicable). Failure to do so could allow the pole sections to separate during play and/or transport of the system.
- Climate, corrosion or misuse could result in system failure.
- Minimum operational height is 6' 6" (1.98 m) to the bottom of backboard.
- This equipment is intended for home recreational use only and NOT excessive competitive play.
- Read and understand the warning label affixed to pole. Label is shown to the right.
- The life of your basketball pole depends on many conditions. The climate, placement of the pole, the location of the pole, exposure to corrosives such as pesticides, herbicides or salts are all important.
- If technical assistance is required, contact Huffy Sports.
- Adult supervision is recommended when adjusting height.

*Most injuries are caused by misuse and/or not following instructions.  
Use caution when using this system.*

## HEIGHT ADJUSTMENT

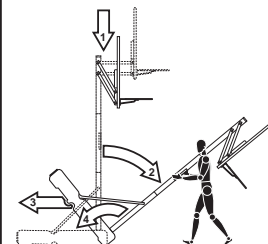
TO ADJUST BACKBOARD:

1. While holding handle, remove pin.
2. Move elevator up or down to desired height.
3. Replace pin full length to lock system at desired height.



46

## MOVING SYSTEM



1. Adjust basketball backboard height to lowest position.
2. While holding pole, rotate basketball system forward until wheels engage with ground.
3. Move basketball system to desired location.
4. Carefully rotate basketball system upright.
5. Check system for stability.

511679 05/05



**Questions or Missing Parts?**

**DON'T go back to store!**

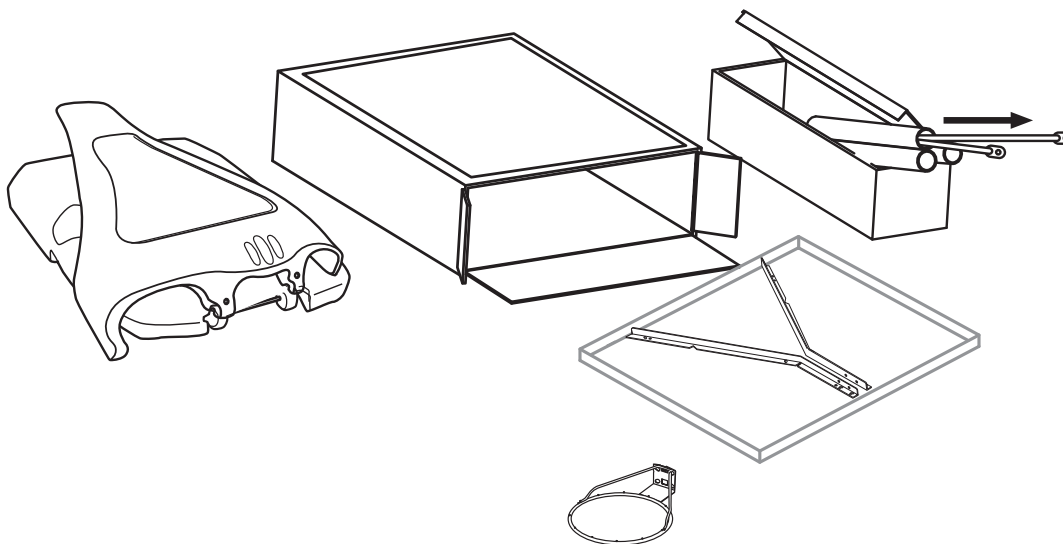
Call TOLL-FREE Customer Service  
Number listed on the front page!

### **NOTICE TO ASSEMBLERS**

**ALL Huffy Sports Basketball Systems, including those used for DISPLAYS, MUST be assembled and ballasted with sand or water according to the instructions. Failure to follow instructions could result in SERIOUS INJURY. It is NOT acceptable to devise a makeshift weight system.**

### **IMPORTANT!**

**Remove all contents from boxes.  
Be sure to check inside pole sections;  
hardware and additional parts are packed inside.**



#### **WARRANTY CARD:**

Please remember to complete your product registration form either on-line at:  
**[www.huffysports.com](http://www.huffysports.com)** or mail-in the enclosed postcard.

*Get to know the basic parts of your basketball system.....*

FRONT

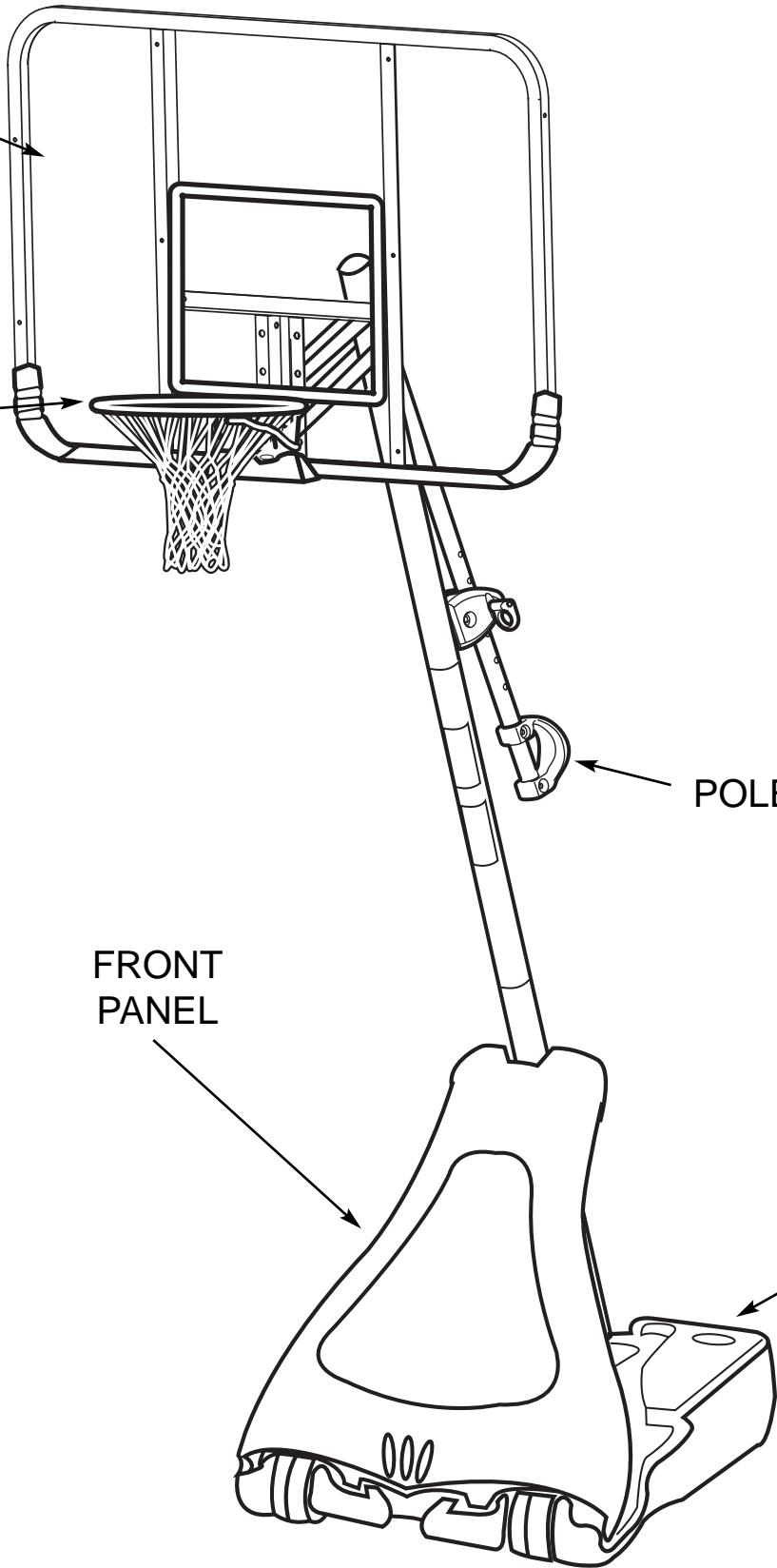
BACKBOARD

RIM

POLE

FRONT  
PANEL

BASE



## PARTS LIST - (See Hardware Identifier)

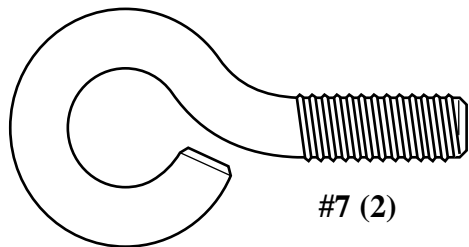
<u>Item</u>	<u>Qty.</u>	<u>Part No.</u>	<u>Description</u>	<u>Item</u>	<u>Qty.</u>	<u>Part No.</u>	<u>Description</u>		
<input type="checkbox"/>	1	203470	Washer, Flat, 1.5" O.D.	<input type="checkbox"/>	27	2	908256	Bracket, Backboard Support	
<input type="checkbox"/>	2	806620	Base Assembly	<input type="checkbox"/>	28	2	200874	Spacer, Steel .402 I.D. x .5 O.D. x 1.5 Long	
<input type="checkbox"/>	3	804833	Exacta Height Assembly	<input type="checkbox"/>	29	6	206244	Bolt, Hex Head, 1/2-13 x 8 Long	
<input type="checkbox"/>	4	908006	Top Pole Section	<input type="checkbox"/>	30	4	201642	Spacer, Plastic, .530 I.D. x .625 Long	
<input type="checkbox"/>	5	90810701	Middle Pole Section	<input type="checkbox"/>	31	7	206340	Lock Nut, Hex Head, 1/2-13	
<input type="checkbox"/>	6	908142	Bottom Pole Section	<input type="checkbox"/>	32	2	904820	Elevator Tube, Lower - Long	
<input type="checkbox"/>	7	206934	Large Eyebolt, 3/8"	<input type="checkbox"/>	33	2	204838	Spring, Counter Balance	
<input type="checkbox"/>	8	203063	Nylon Insert Lock Nut, 3/8-16	<input type="checkbox"/>	34	1		Rim	
<input type="checkbox"/>	9	206634	Rod, 1/2 x 9-1/2 Long	<input type="checkbox"/>	35	2	904808	Elevator Tube, Upper - Short	
<input type="checkbox"/>	10	203099	Nut, Ny-lock, 5/16-18	<input type="checkbox"/>	36	2	201682	Spacer, .530 I.D. x 1.875	
<input type="checkbox"/>	11	201681	Spacer, Plastic .530 I.D. x .88 Long	<input type="checkbox"/>	37	2	900867	Plate, Triangle, (Black)	
<input type="checkbox"/>	12	202662	Bolt, Hex Head, 5/16-18 x 4-1/2 Long	<input type="checkbox"/>	38	1	207103	Cap, Pole Top	
<input type="checkbox"/>	13	200341	Nut Cover	<input type="checkbox"/>	39	2*	200520	Screw, #8 x 1/2	
<input type="checkbox"/>	14	11*	203100	Hex Flange Nut 5/16-18	<input type="checkbox"/>	40	1	202605	Bolt, Hex, 1/2-13 x 4.25 Long
<input type="checkbox"/>	15	204832	Bracket, Pole Mount	<input type="checkbox"/>	41	1	206219	Plug, Tank Cap	
<input type="checkbox"/>	16	203053	Carriage Bolt, 5/16-18 x 4 Long	<input type="checkbox"/>	42	1	206990	Reinforcement Bracket	
<input type="checkbox"/>	17	203232	Washer, Metal, 3/4" O.D.	<input type="checkbox"/>	43	1	204290	Net	
<input type="checkbox"/>	18	4*	201124	Lock Nut, 3/8-16	<input type="checkbox"/>	44	4*	205528	Bolt, Hex Flange, 5/16-18 x 1 Long
<input type="checkbox"/>	19	206360	Bolt, Hex Head, 3/8-16 x 2-5/8 Long	<input type="checkbox"/>	45	6	203309	Washer, .406 I.D. x 1 O.D. Flat	
<input type="checkbox"/>	20	204858	Spacer, Plastic Biscuit	<input type="checkbox"/>	46	1	511679	Label, Height Adjustment and Moving	
<input type="checkbox"/>	21	204857	Spacer, Metal 1/2" O.D. x 1.44 Long	<input type="checkbox"/>	47	4	204961	Bolt, Hex Head, 5/16-18 x .625 Long	
<input type="checkbox"/>	22	204859	Cover, Pin Slide	<input type="checkbox"/>	48	1	900033	Bracket, Slam Jam	
<input type="checkbox"/>	23	203038	Carriage Bolt, 5/16-18 x 2-3/4 Long	<input type="checkbox"/>	49	1	203796	Bolt, Tee, 3/8-16, 5" Long	
<input type="checkbox"/>	24	204850	Pin, Locking	<input type="checkbox"/>	50	1	200318	Bracket, Reinforcement, Slam Jam	
<input type="checkbox"/>	25	204853	Lanyard, Black Coil	<input type="checkbox"/>	51	1	203472	Spring, Rim	
<input type="checkbox"/>	26	201683	Spacer, .530 I.D. x 1.5 Long	<input type="checkbox"/>	52	1	203795	Nut, Special, 3/8-16	

**NOTE:** Hardware kit is designed for more than one style of basketball system. Not all hardware will be used.

\* YOU MAY HAVE EXTRA PARTS WITH THIS MODEL.

**WARNING:** IF YOUR SYSTEM IS EQUIPPED WITH AN ACRYLIC BACKBOARD, EXAMINE BACKBOARD FOR ANY DAMAGE THAT MAY HAVE OCCURRED DURING SHIPMENT. CRACKS IN THE BACKBOARD COULD RESULT IN SUDDEN BREAKAGE. IF BACKBOARD IS DAMAGED IN ANY WAY PRIOR TO OR AFTER ASSEMBLY, CALL TOLL-FREE NUMBER:  
U.S. 1-800-558-5234; CANADA: 1-800-284-8339; <http://www.huffysports.com>

# HARDWARE IDENTIFIER (BOLTS & SCREWS)



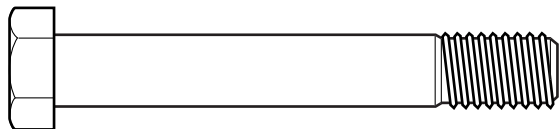
#7 (2)



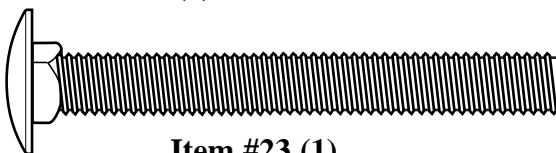
#16 (2)



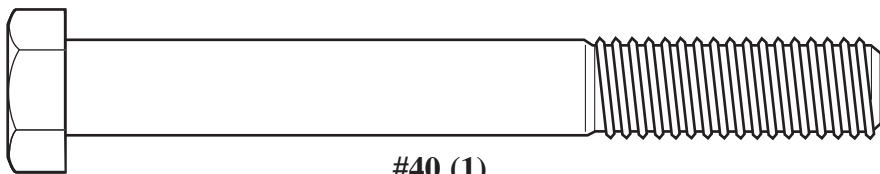
#29 (6)



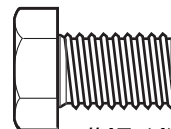
#19 (4)



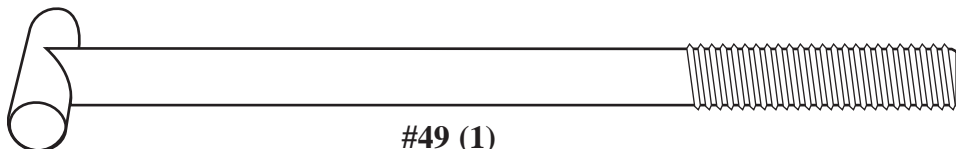
Item #23 (1)



#40 (1)



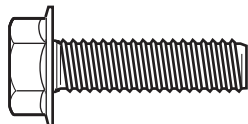
#47 (4)



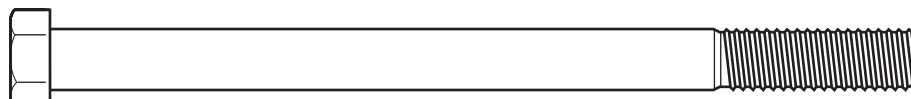
#49 (1)



#39 (2)

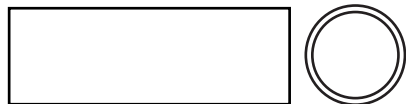


#44 (4)\*



#12 (1)

# HARDWARE IDENTIFIER (STEEL SPACERS)



#21 (2)



#28 (2)

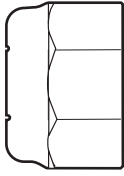
\* You may have extra parts with this model.



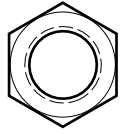
## HARDWARE IDENTIFIER (NUTS & WASHERS)



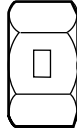
#31 (7)



#18 (4)\*



#52 (1)



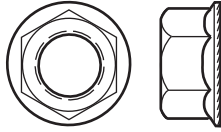
#17 (4)



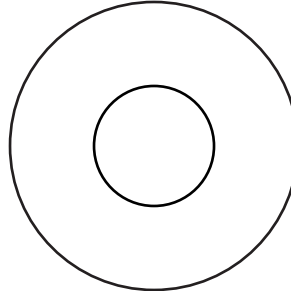
#10 (1)



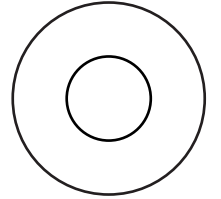
#8 (8)



#14 (11)\*

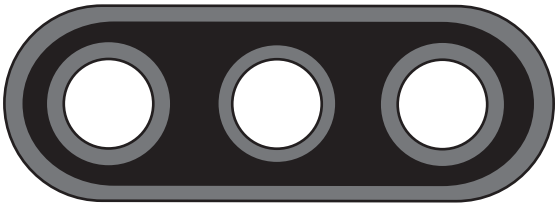


#1 (1)

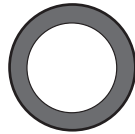


#45 (6)

## HARDWARE IDENTIFIER (PLASTIC SPACERS CAPS & CLIPS)



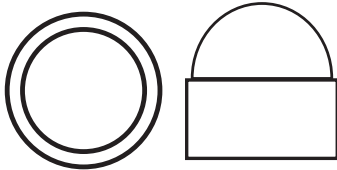
#20 (2)



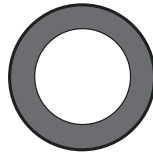
#26 (4)



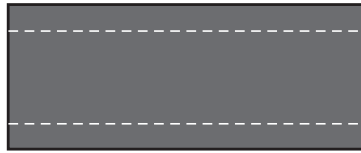
#30 (4)



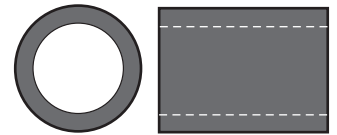
#13 (2)



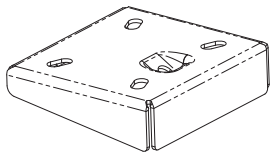
#36 (2)



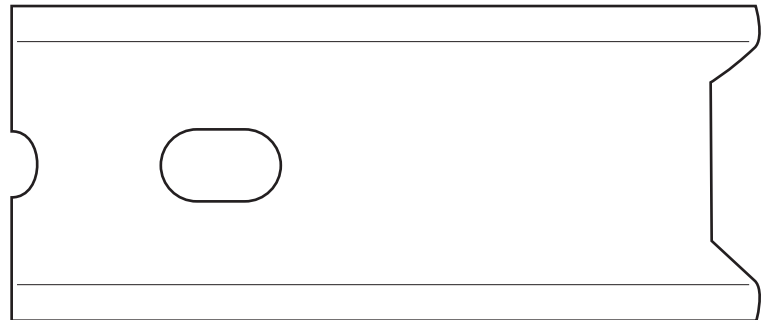
#11(4)\*



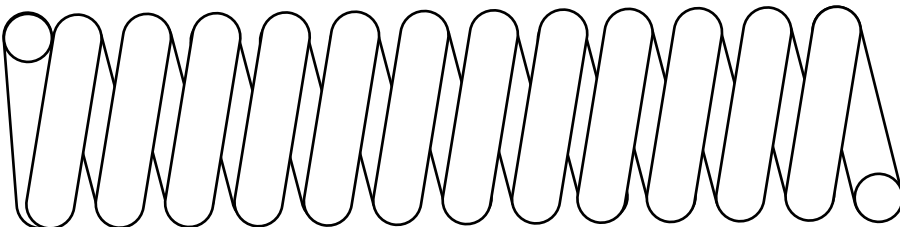
## HARDWARE IDENTIFIER (OTHER)



#48 (1)



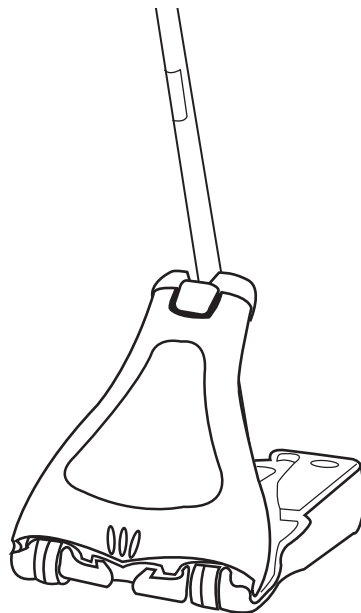
#50 (1)



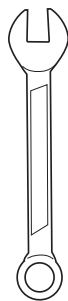
#51 (1)

## SECTION A: ASSEMBLE THE BASE

This is what your system will look like when you've finished this section:



### TOOLS REQUIRED FOR THIS SECTION



#### **Wrenches**

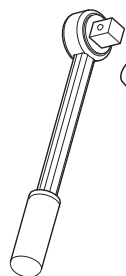
(2) 1/2"  
(2) 3/4"



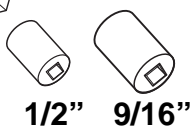
#### **Phillips-Head Screwdriver**

**And/Or:**

#### **(2) Socket Wrenches and Sockets**



1/2"

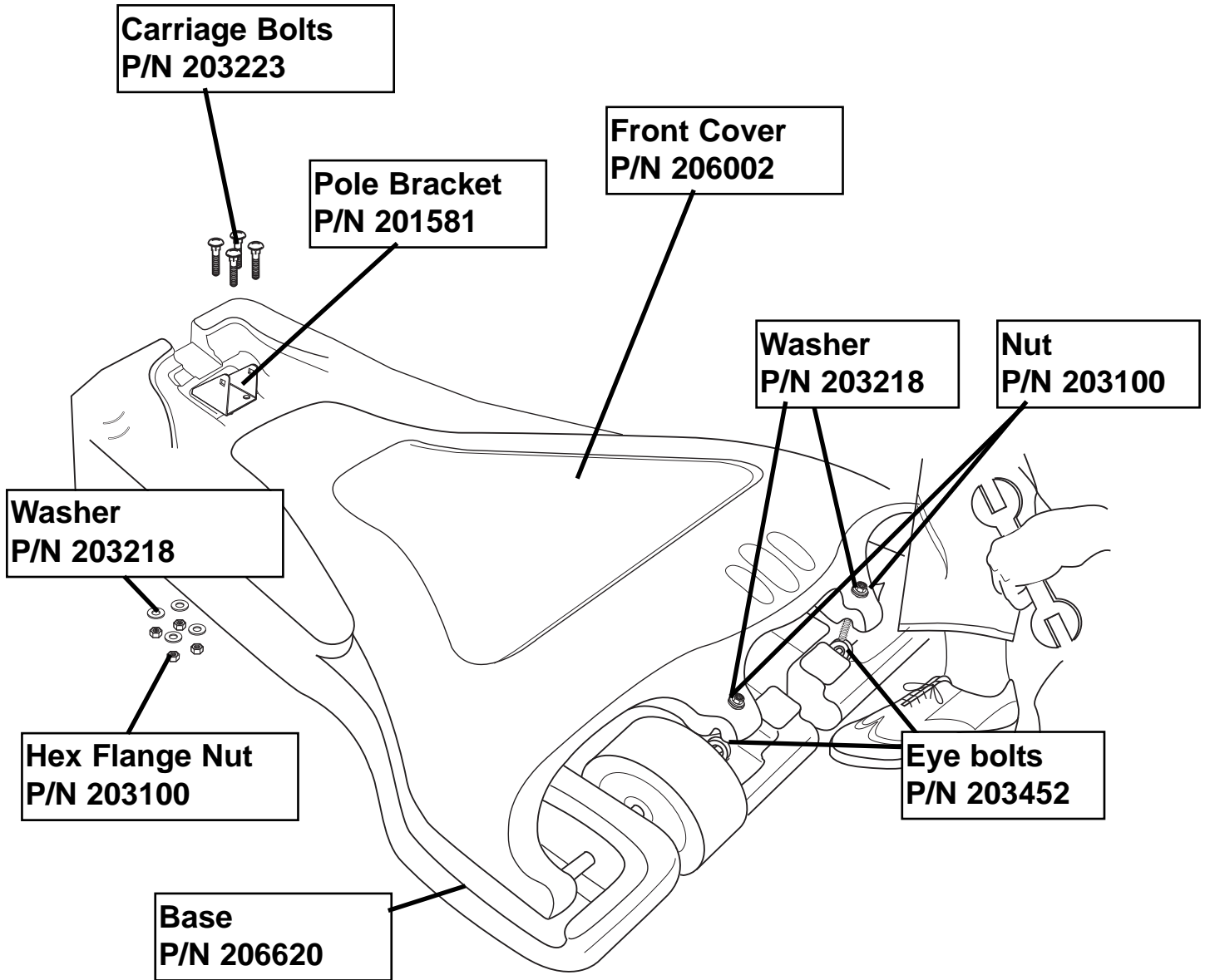


9/16"

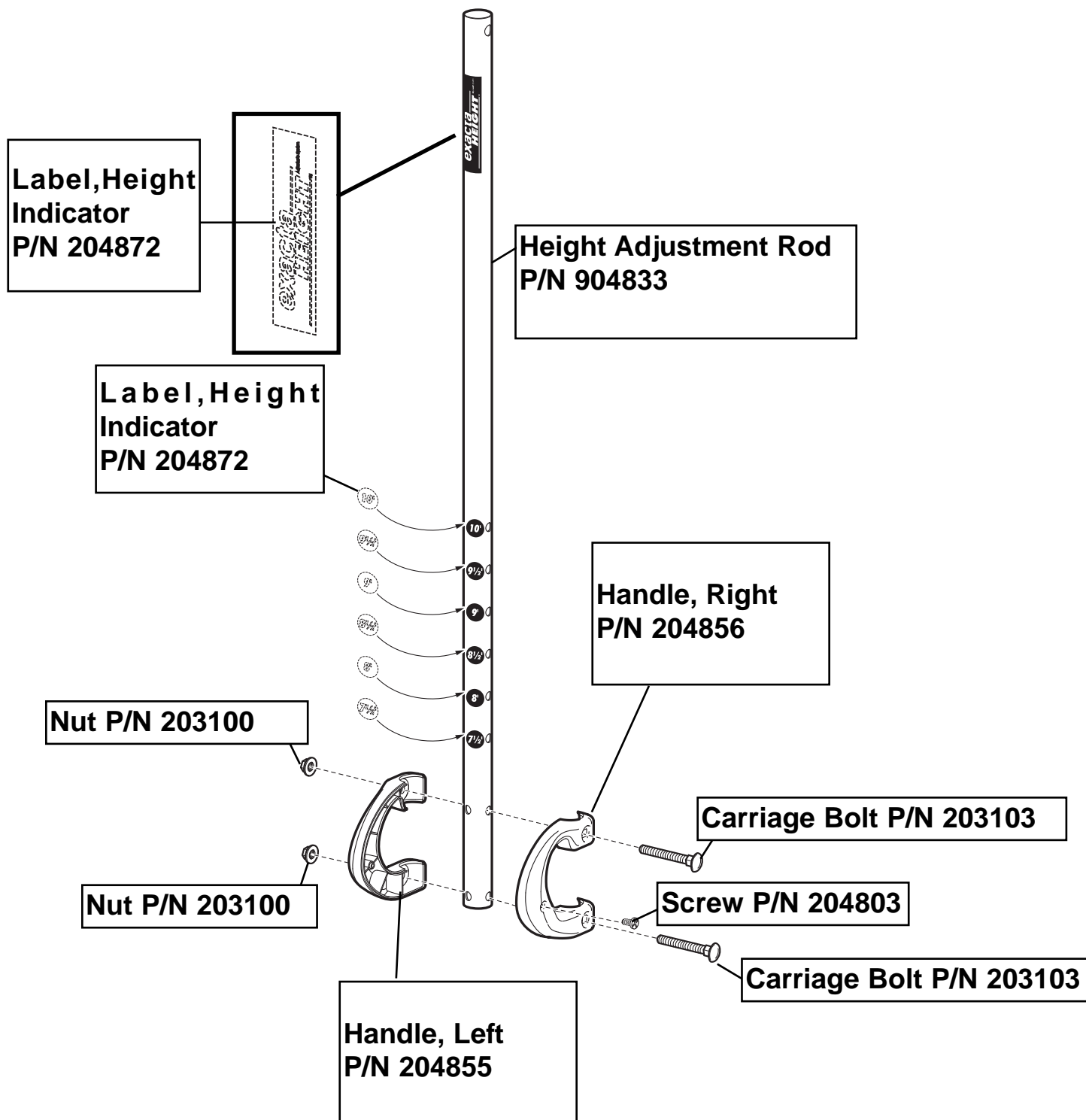


**Extension**

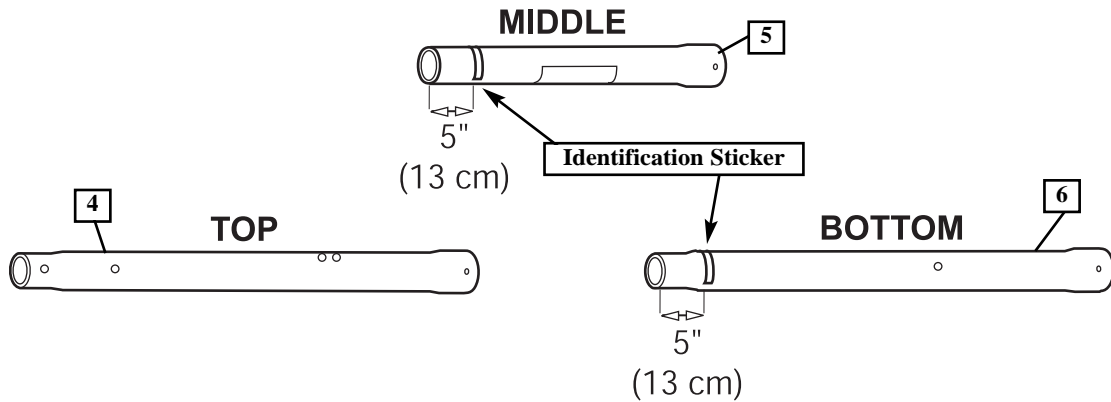
**1A.** Check the following pre-assembled base areas for tightness: **Eye bolts P/N 203452, Washer P/N 203218, Nut P/N 203100, Carriage Bolts P/N 203223 .**



**1B.** Check the following pre-assembled handle areas for tightness: **Screw P/N 204803, Nut P/N 203100, Carriage Bolts P/N 203103 .**



**2.** Identify pole sections.



**3.** While maintaining alignment, bounce middle pole section (5) into top section (4) using a wood scrap as shown until the top pole no longer moves toward the pole identification sticker on the middle pole.

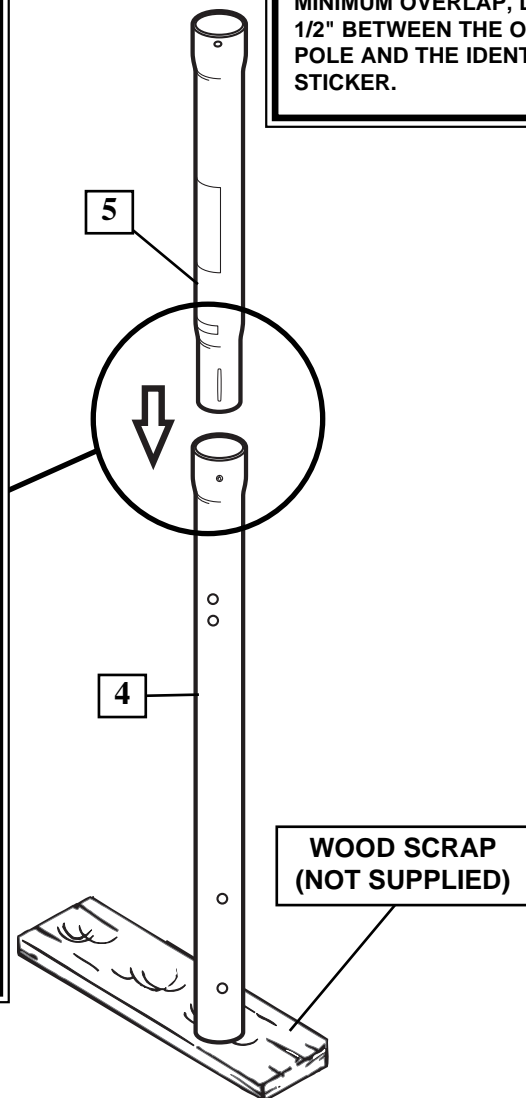
**IMPORTANT!:**

**Align dimple of top pole section (4) into trough of middle pole section (5) as shown.**

The diagram is divided into three horizontal panels. The top panel shows a 'TROUGH' in the middle pole and a 'DIMPLE' in the top pole, with a '5"' dimension line. The middle panel shows the 'ID STICKER' on the middle pole and a '1-1/2"' dimension line. The bottom panel shows a close-up of the 'DIMPLE' and 'HOLE' in the top pole.

**CAUTION!**

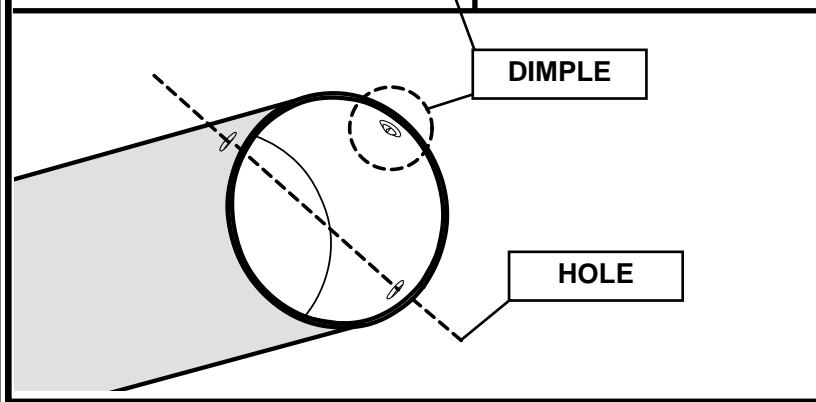
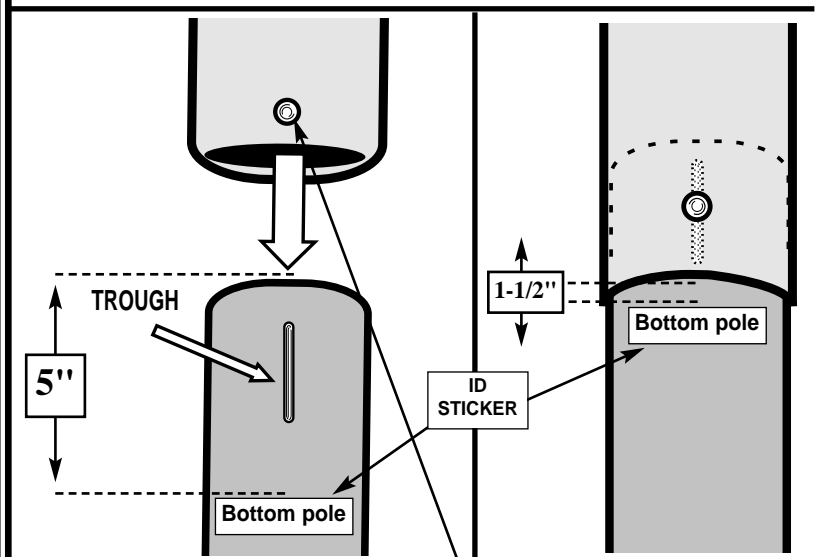
THE IDENTIFICATION STICKER IS LOCATED 5" FROM THE END OF THE POLE. WHEN PROPERLY POUNDED TOGETHER, THE POLE SECTIONS SHOULD HAVE A 3-1/2" MINIMUM OVERLAP, LEAVING 1-1/2" BETWEEN THE OVERLAPPING POLE AND THE IDENTIFICATION STICKER.



4. Bounce top and middle pole assembly (4 & 5) onto bottom pole section (6) using a wood scrap as shown. Bounce until the top and middle pole assembly no longer moves toward the pole identification mark on the bottom pole.

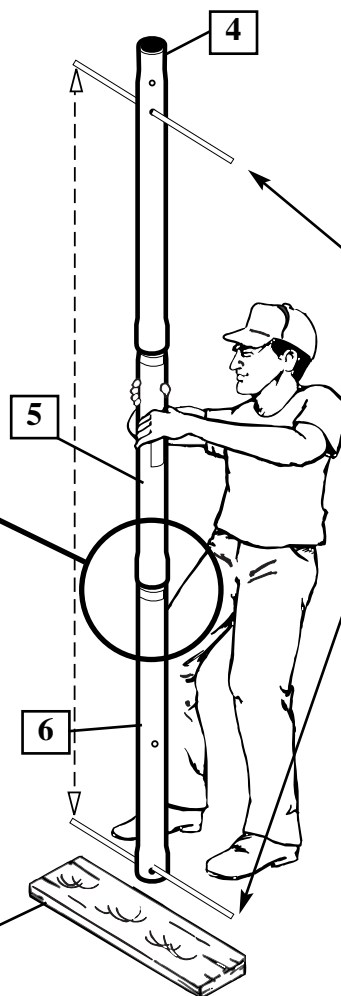
## IMPORTANT!:

Align dimple of middle pole section (5) into trough of bottom pole section (6) as shown.



## CAUTION!

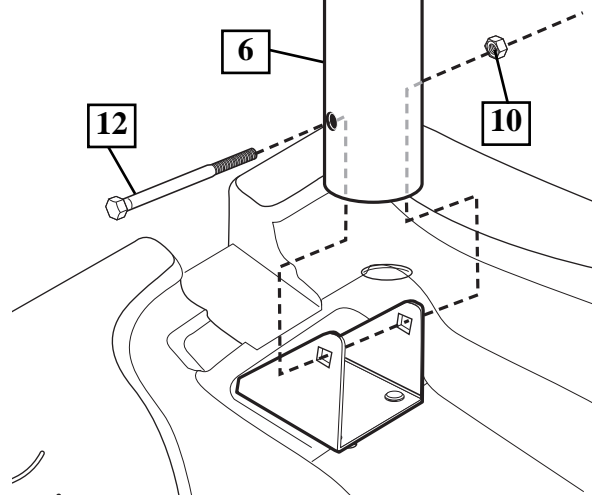
THE IDENTIFICATION STICKER IS LOCATED 5" FROM THE END OF THE POLE. WHEN PROPERLY POUNDED TOGETHER, THE POLE SECTIONS SHOULD HAVE A 3-1/2" MINIMUM OVERLAP, LEAVING 1-1/2" BETWEEN THE OVERLAPPING POLE AND THE IDENTIFICATION STICKER.



RODS SHOWN ARE FOR VISUAL REPRESENTATION OF ALIGNMENT AND ARE NOT SUPPLIED WITH THE HARDWARE

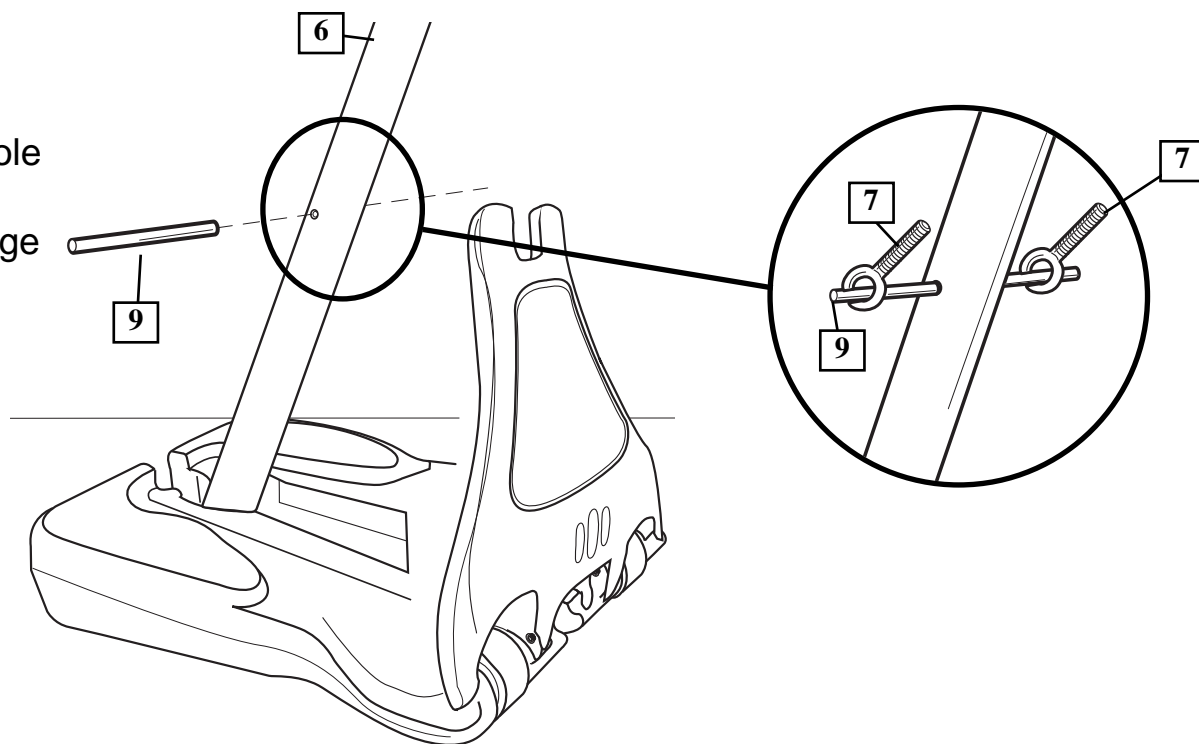
**5.**

Install bolt (12) through bracket and bottom pole section (6) and secure with nut (10) as shown. Nut should be tightened until flush (even) with locknuts outer edge.



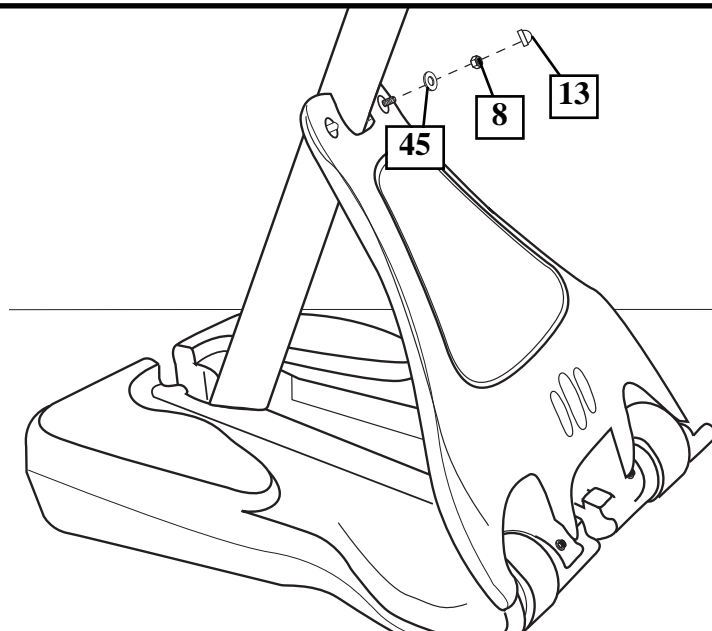
**6.**

Install rod (9) through bottom pole section (6) as shown. Install large eye bolts (7) onto rod (9) as shown.

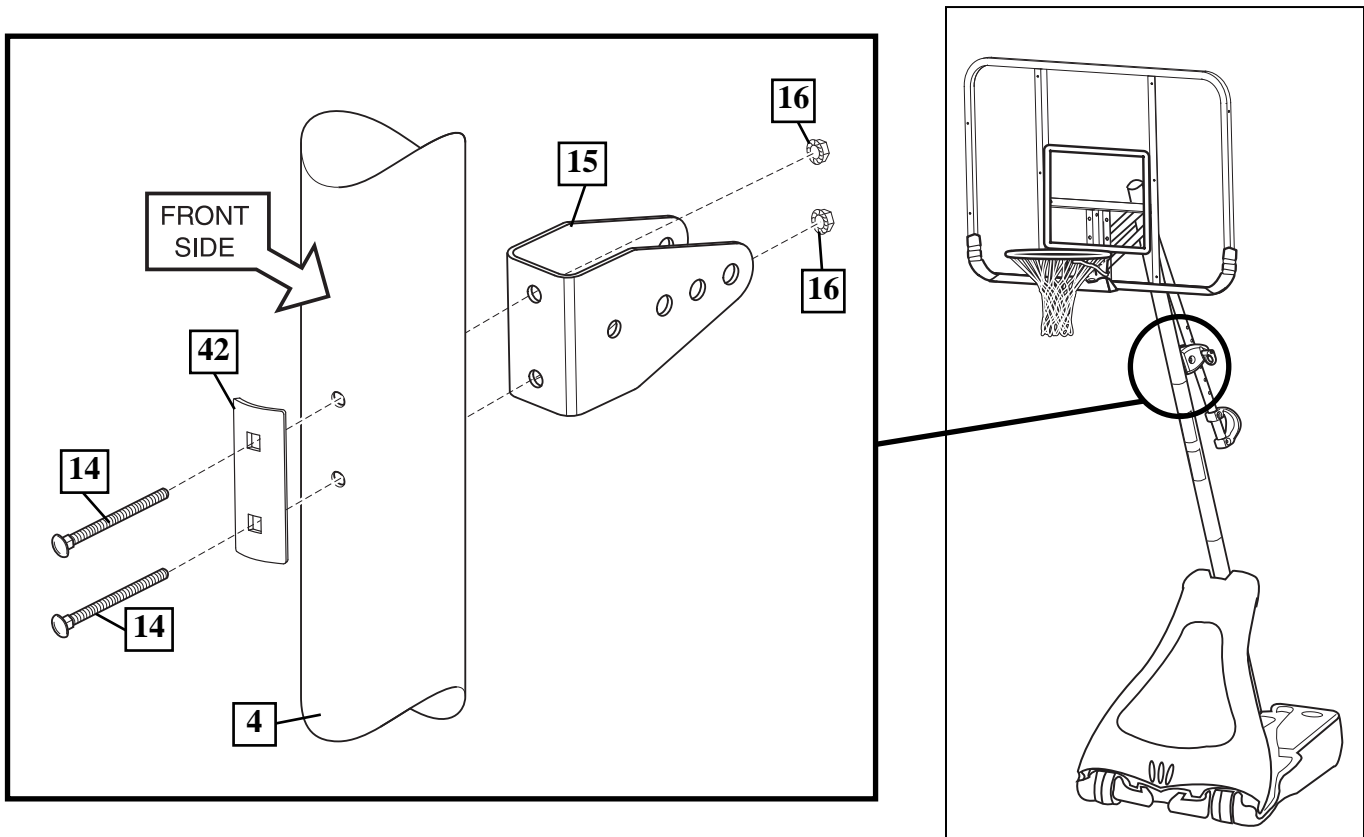


**7.**

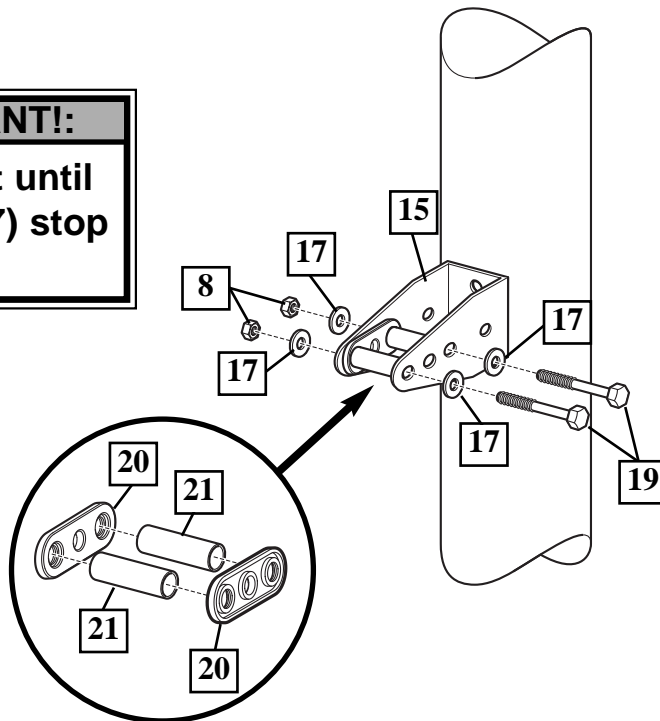
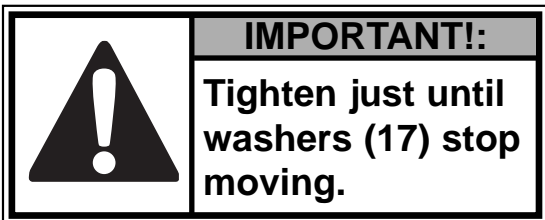
Secure cover to rod (9) using washers (45) nuts (8) and nut covers (13) as shown.



- 8.** Install pole mount bracket (15) and reinforcement bracket (42) with carriage bolts (16) as shown. Tighten flange nuts (14) completely.



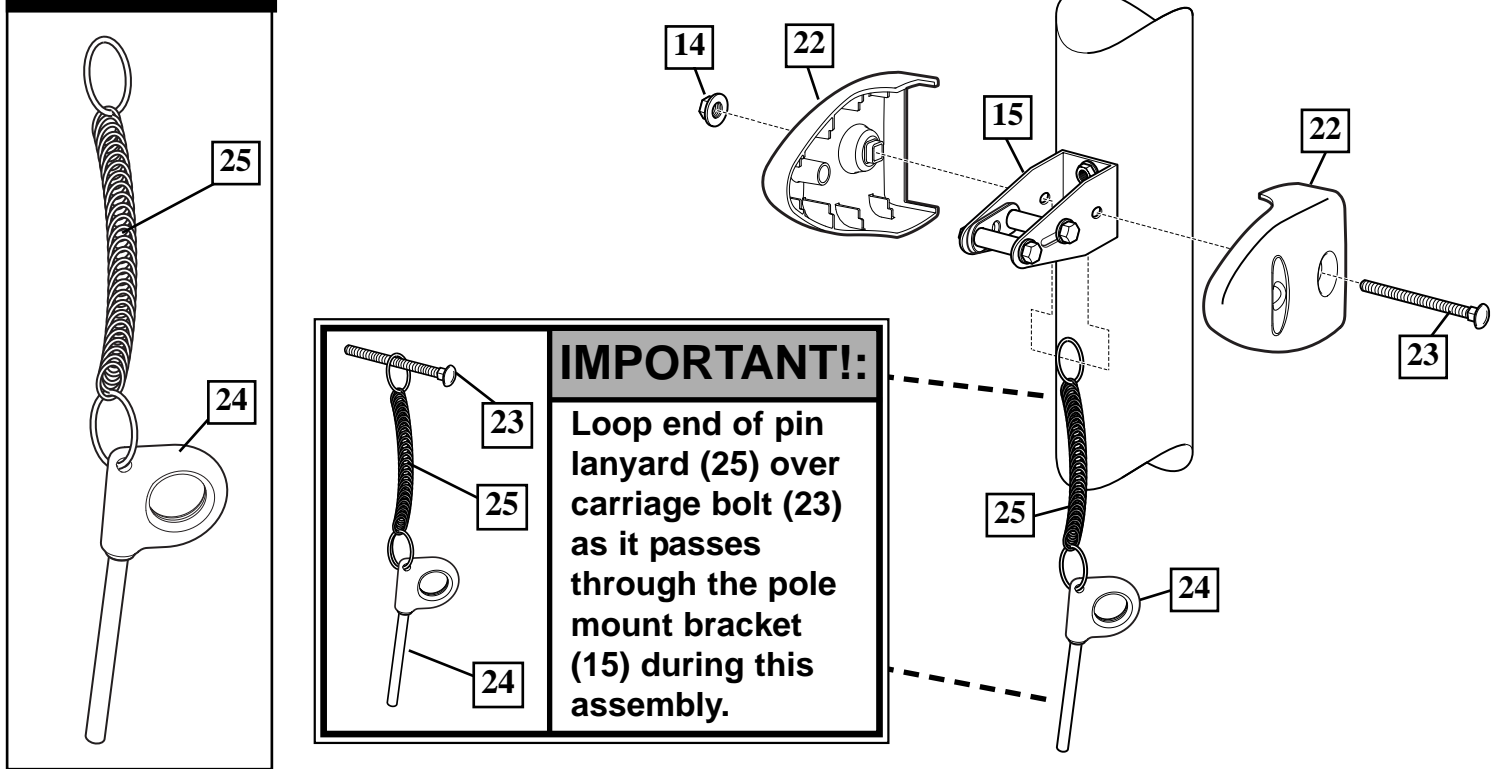
- 9.** Attach spacers (20, 21) to pole mount bracket (15) with bolts (19), washers (17), and nuts (8) as shown.





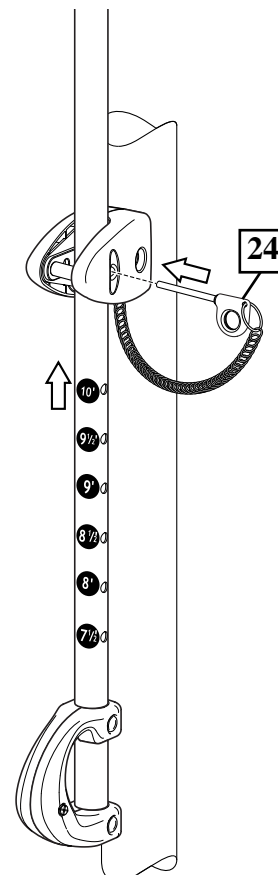
- 10.** Assemble lanyard (25) to locking pin (24) as shown (FIG A). Attach covers (22) onto pole mount bracket (15) with carriage bolt (23) and nut (14) as shown.

**FIG. A**



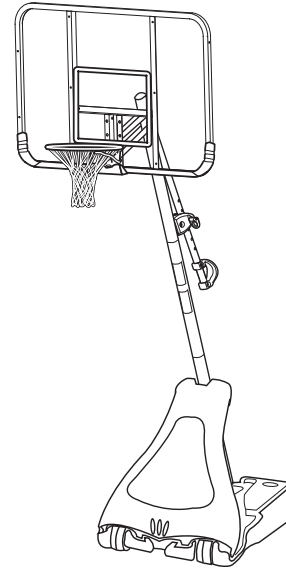
**11.**

Insert handle assembly through pole mount assembly as shown. Lock pole assembly in place at the 10' (3.05 m) mark with pin (24).

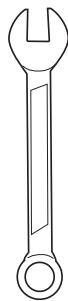


# SECTION B: ATTACH THE BACKBOARD

This is what your system will look like when you've finished this section:



## TOOLS REQUIRED FOR THIS SECTION



### Wrenches

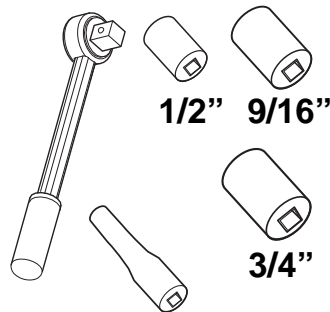
- (2) 1/2"
- (2) 9/16"
- (2) 3/4"

And/Or

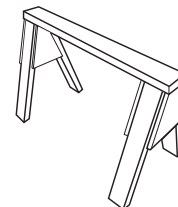


Phillips-Head  
Screwdriver

### (2) Socket Wrenches and Sockets



Extension

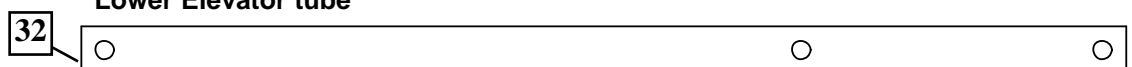


Sawhorse

Identify elevator tubes.

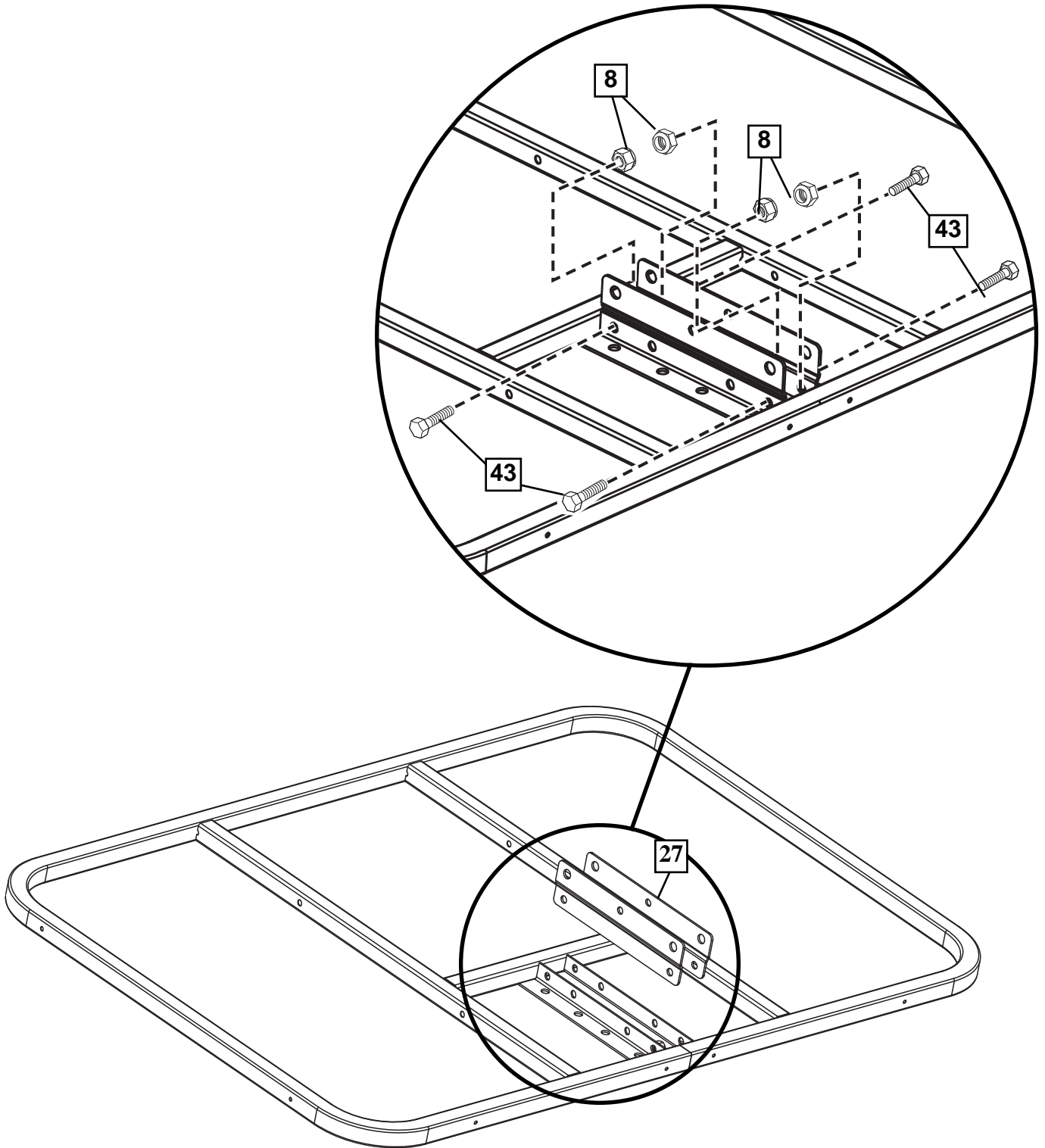


Upper Elevator tube

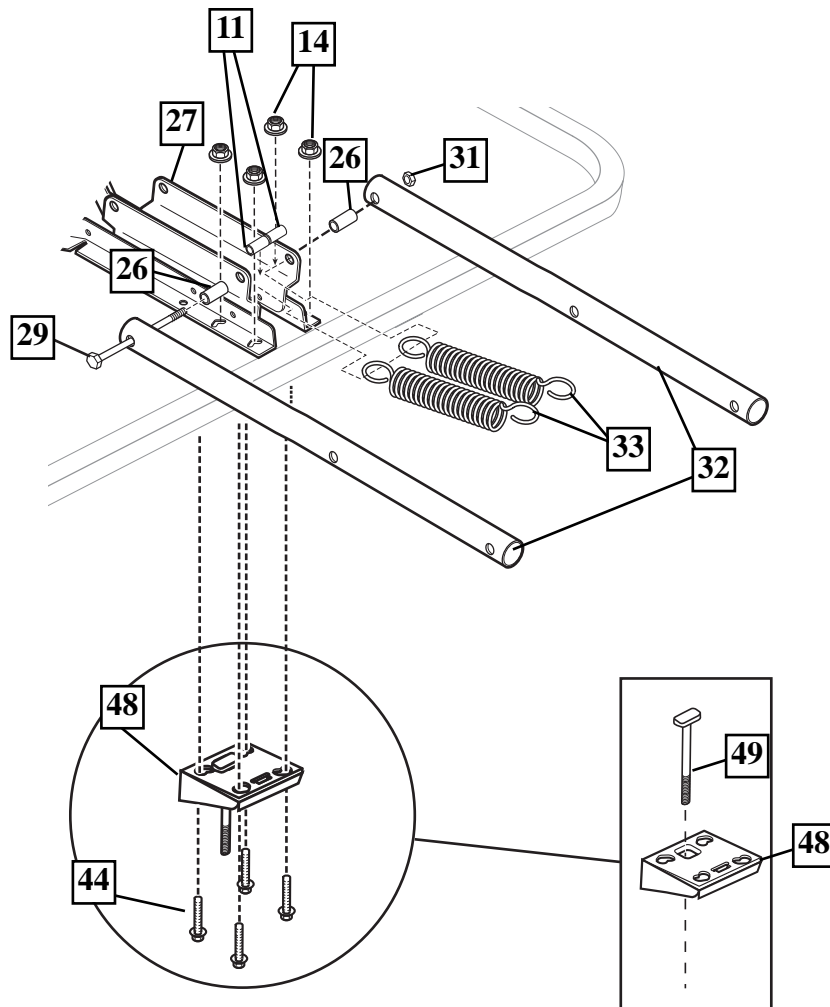


Lower Elevator tube

**1.** Assemble backboard brackets (27) using bolts (43), and nuts (8) as shown.

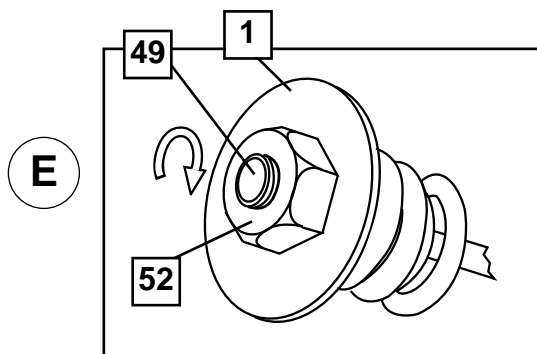
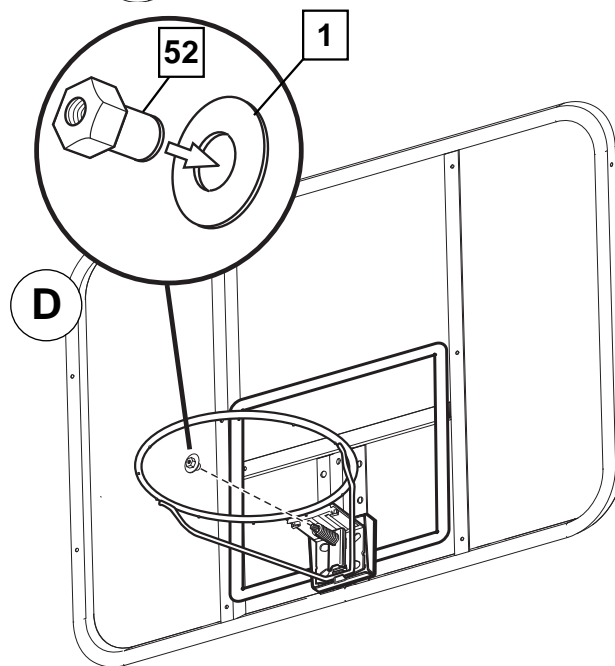
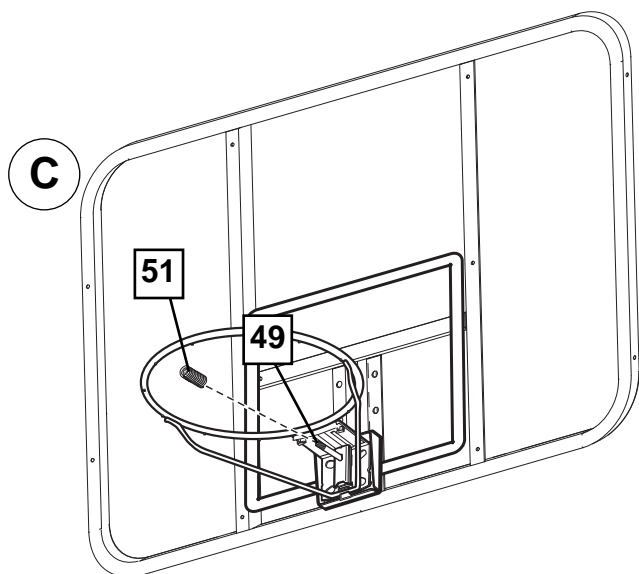
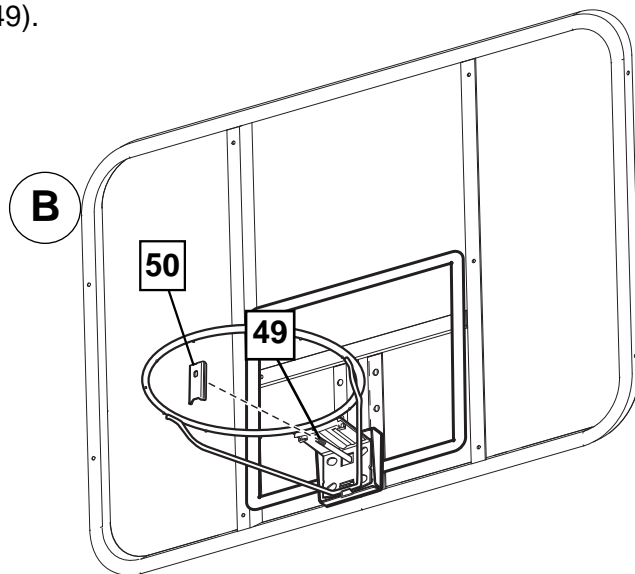
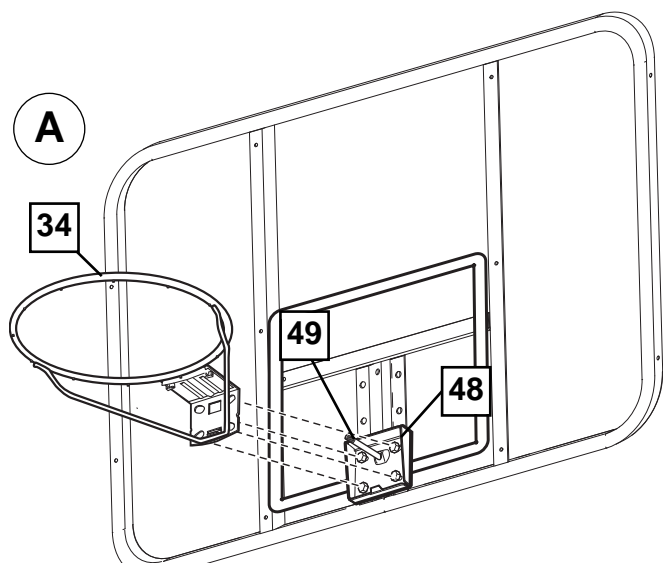


- 2.** Attach lower elevator tubes (32) and counter balance springs (33) to backboard support brackets (27) using spacers (26), bolt (29), and nut (31) as shown.

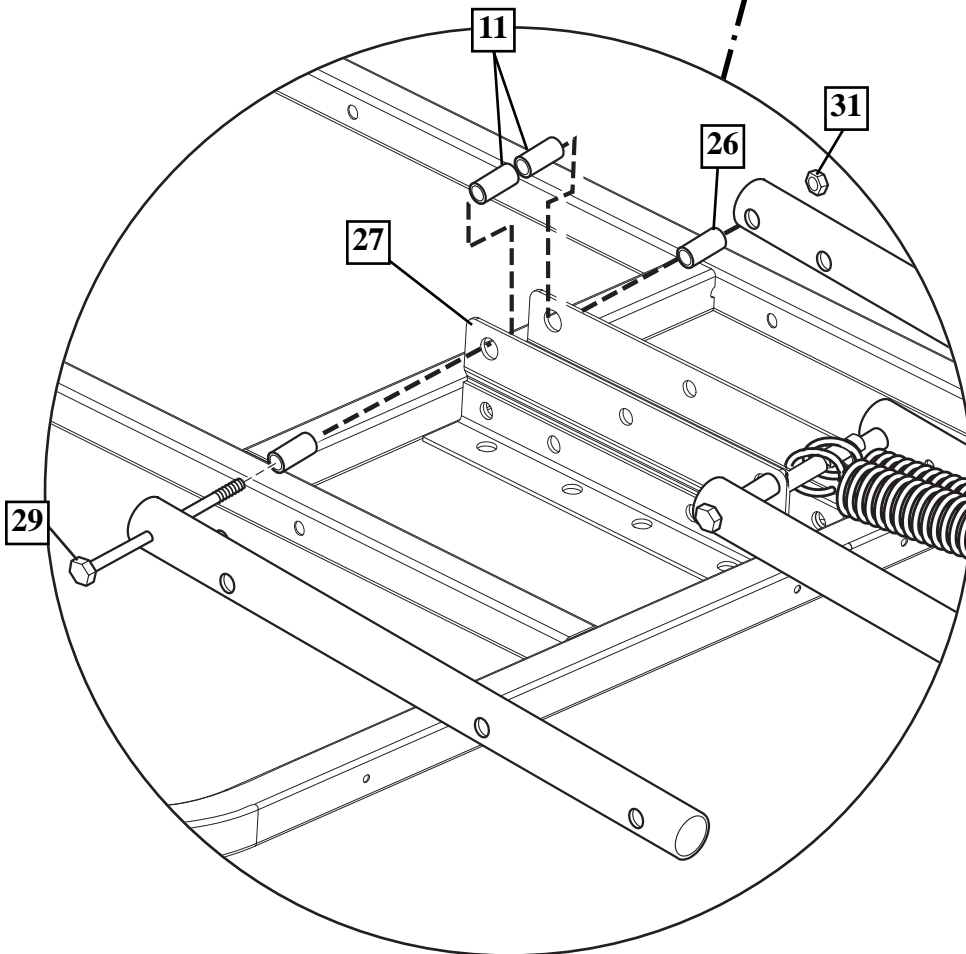
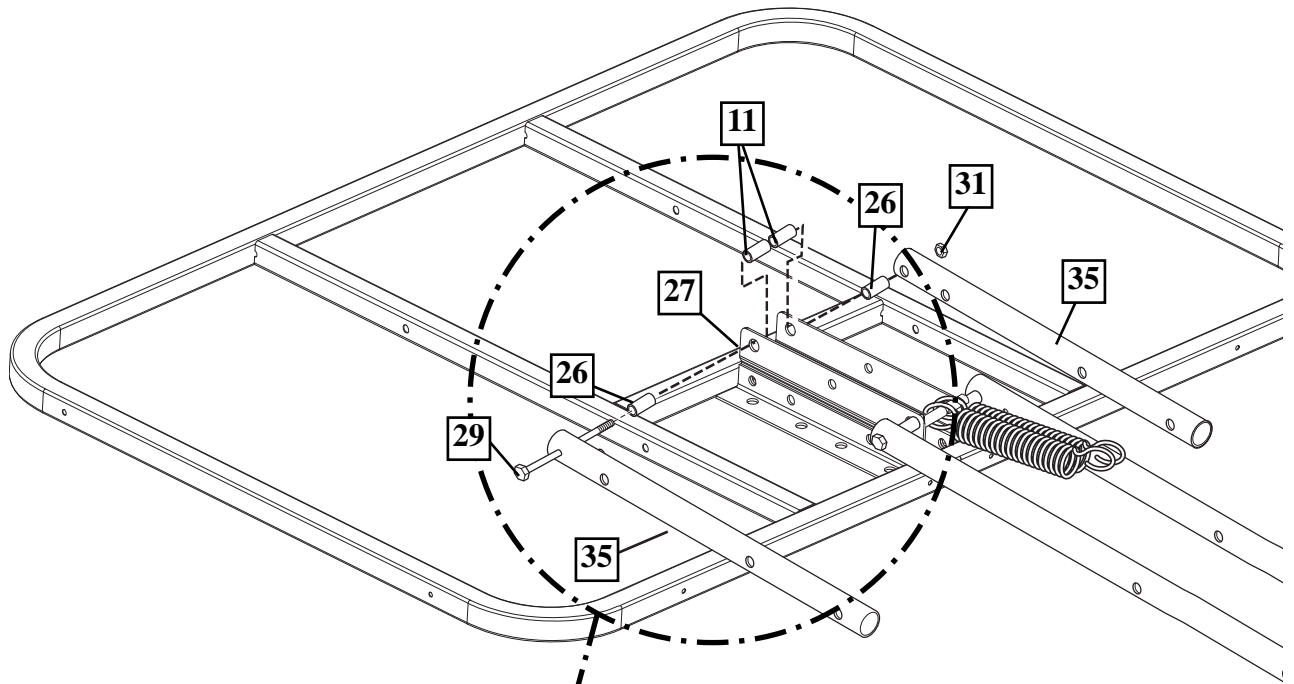


**3.****Install Slam Jam Rim to Backboard**

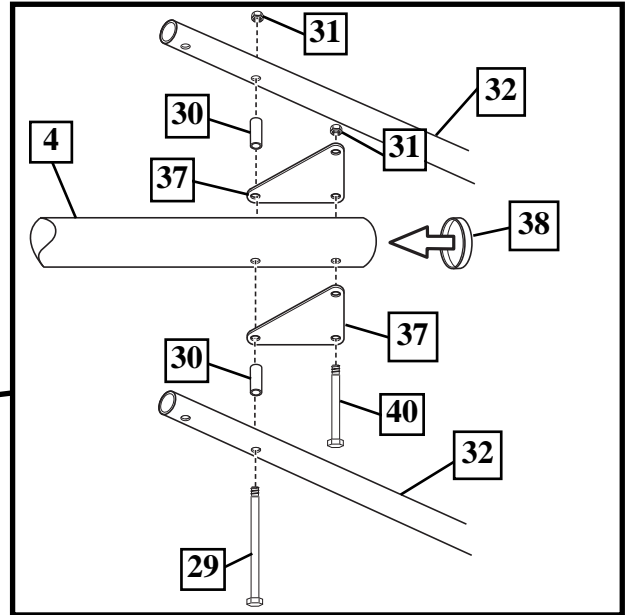
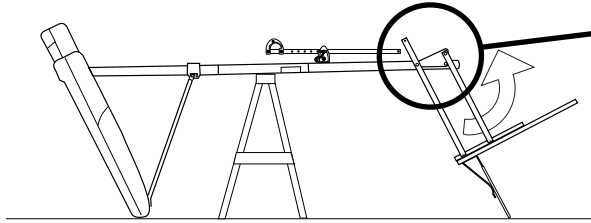
- A Fit rim (34) securely into bracket (48) as shown. Allow T-bolt (49) to slip through center hole in rim (34).
- B Install reinforcement bracket (50) onto T-bolt (49) as shown.
- C Install spring (51) onto T-bolt (49) as shown.
- D Install special nut (52) and washer (1) onto T-bolt (49).
- E Tighten nut (52) until flush with end of T-bolt (49).



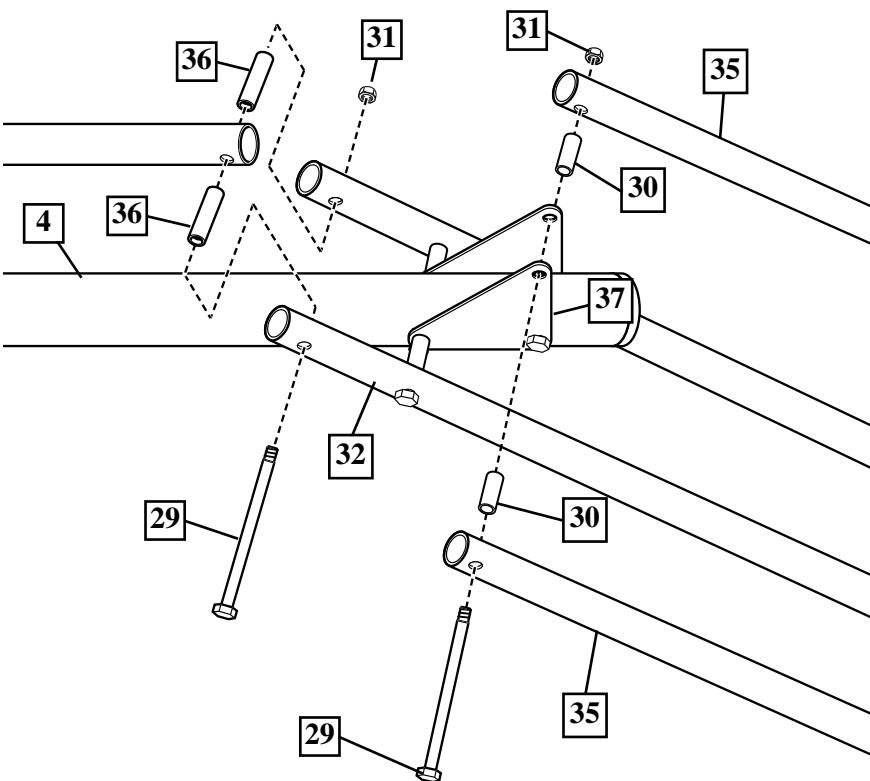
4. Attach upper elevator tubes (35) to backboard support brackets (27) using spacers (26 & 11), bolt (29), and nut (31) as shown.



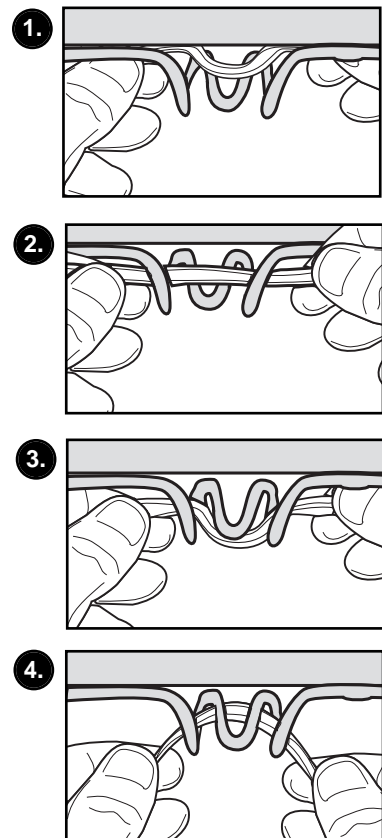
- 5.** Support pole on sawhorse. Attach backboard assembly to top pole section (4) as shown. Install pole cap (38). Use caution; elevator assembly is heavy.



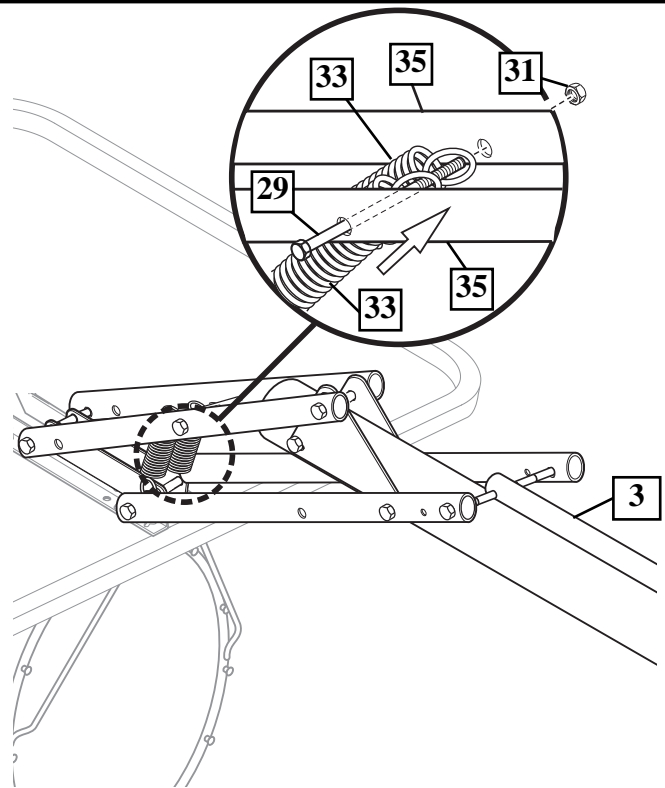
- 6.** Install upper elevator tubes (35) to triangle plates (37) as shown. Install handle assembly to lower elevator tubes (32) using bolt (29), spacers (36), and nut (31) as shown.  
**NOTE:** Before going on to next step, set adjustable system assembly to the 10' (3.05 m) setting.



- 7.** Install net (43) to rim as shown.



- 8.** Insert bolt (29) through left side upper elevator tube (35), then stretch spring (33) onto bolt (29). Insert bolt (29) through right side upper elevator tube (35) and secure with nut (31).

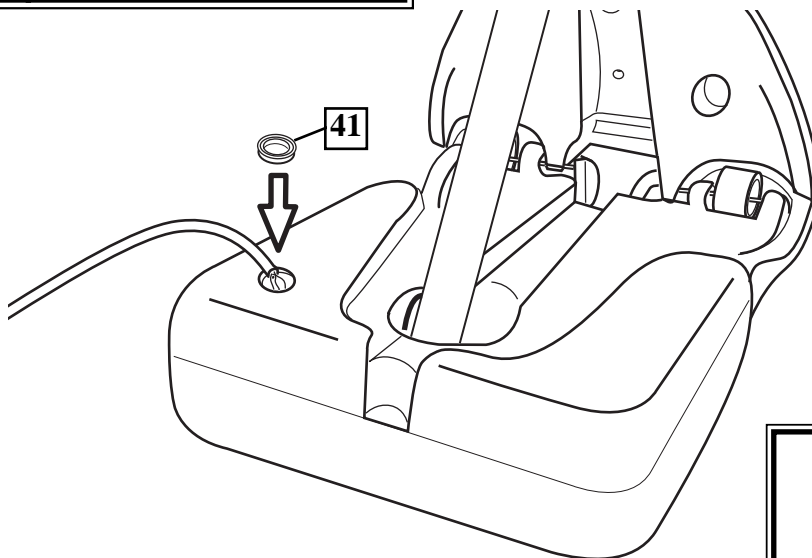


	<b>! WARNING!</b>
	USE EYE PROTECTION WHEN INSTALLING SPRINGS.

- 9.** Roll completed assembly to desired position. Fill tank with water (approx. 34 gallons (129 Liters)) or sand (approx. 280 lbs. (128 kg)) and snap cap (41) in place.

	<b>! CAUTION!</b>
	ADD TWO GALLONS (7.6 LITERS) OF NON-TOXIC ANTIFREEZE IN SUB-FREEZING CLIMATES.

	<b>! WARNING!</b>
	DO NOT LEAVE ASSEMBLY UNATTENDED WHEN EMPTY; IT MAY TIP OVER.

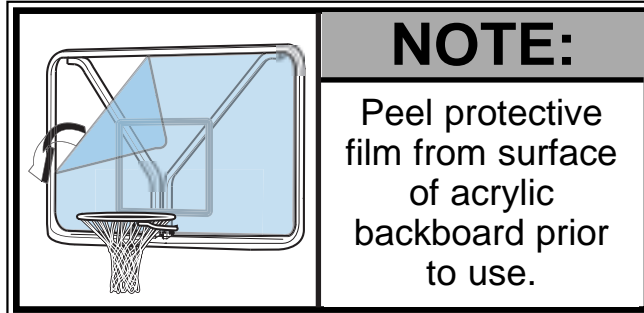
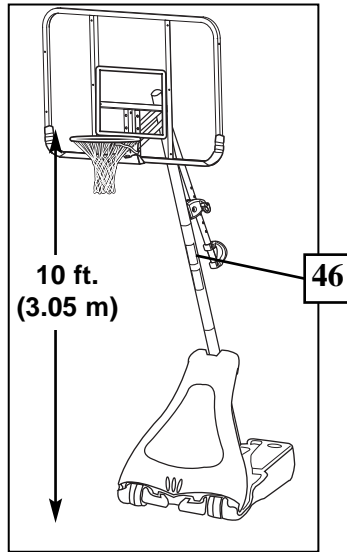


	<b>NOTE:</b>
	<b><i>IF USING SAND:</i></b> 2 GALLONS OF ANTI-FREEZE IS NOT REQUIRED

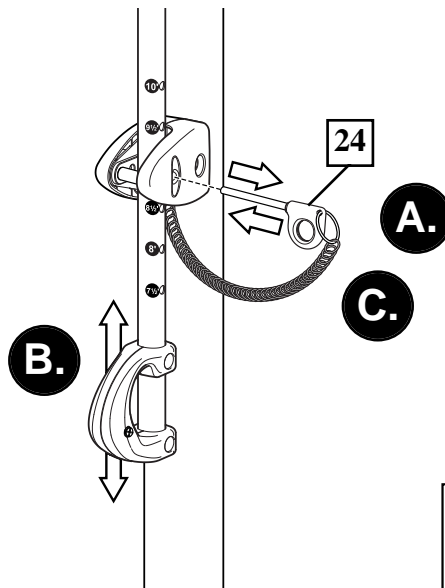


## SECTION C: APPLY HEIGHT AND MOVING LABEL & HEIGHT ADJUSTMENT

1. Apply height adjustment and moving label (46) to front of pole as shown.



2. A. While holding handle, remove pin (24).  
B. Move elevator up or down to desired height.  
C. Replace pin (24) full length to lock system at desired height.



## Free Manuals Download Website

<http://myh66.com>

<http://usermanuals.us>

<http://www.somanuals.com>

<http://www.4manuals.cc>

<http://www.manual-lib.com>

<http://www.404manual.com>

<http://www.luxmanual.com>

<http://aubethermostatmanual.com>

Golf course search by state

<http://golfingnear.com>

Email search by domain

<http://emailbydomain.com>

Auto manuals search

<http://auto.somanuals.com>

TV manuals search

<http://tv.somanuals.com>