

InstaHoop



No Tools Required!



Easy Assembly!



40% Less Time!



	! WARNING!
	READ AND UNDERSTAND OPERATOR'S MANUAL BEFORE USING THIS UNIT. FAILURE TO FOLLOW OPERATING INSTRUCTIONS COULD RESULT IN INJURY OR DAMAGE TO PROPERTY.

Manufactured & Distributed By:

HUFFY[®]SPORTS

A Division of Russell Corporation

Model # _____

Toll-Free Customer Service Number for U.S.: 1-800-558-5234
<http://www.huffysports.com>

Questions or Missing Parts?

STOP! DON'T go back to store!

Call TOLL-FREE Customer Service
Number listed on the front page!

NOTICE TO ASSEMBLERS

ALL Huffy Sports basketball Systems, including those used for DISPLAYS, MUST be assembled and ballasted with sand or water according to instructions. Failure to follow instructions could result in **SERIOUS INJURY**. It is **NOT** acceptable to devise a makeshift weight system.

! SAFETY INSTRUCTIONS !

FAILURE TO FOLLOW THESE SAFETY INSTRUCTIONS MAY RESULT IN SERIOUS INJURY AND/OR PROPERTY DAMAGE AND WILL VOID WARRANTY.

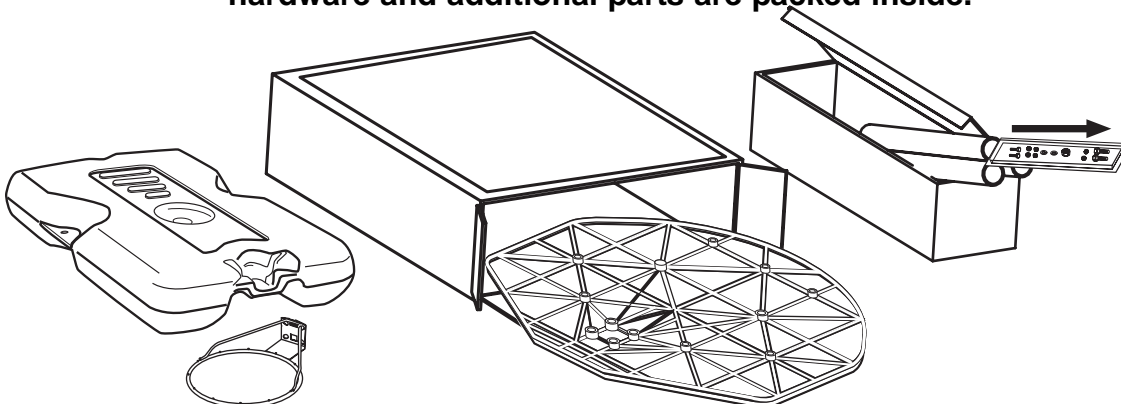
Owner must ensure that all players know and follow these rules for safe operation of the system.

To ensure safety, do not attempt to assemble this system without following the instructions carefully. Proper and complete assembly, use, and supervision is essential for proper operation and to reduce the risk of accident or injury. A high probability of serious injury exists if this system is not installed, maintained, and operated properly.

- If using a ladder during assembly, use extreme caution.
- Check base regularly for leakage. Slow leaks could cause the system to tip over unexpectedly
- Seat the pole sections properly (if applicable). Failure to do so could allow the pole sections to separate during play and/or during transport of the system.
- Climate, corrosion or misuse could result in system failure.
- If technical assistance is required, contact Huffy Sports.
- Minimum operational height is 6'6" (1.98m) to the bottom of backboard.

*Most injuries are caused by misuse and/or not following instructions.
Use caution when using this unit.*

IMPORTANT!
Remove all contents from boxes.
Be sure to check inside pole sections;
hardware and additional parts are packed inside.



PARTS LIST

<u>Item</u>	<u>Qty.</u>	<u>Part No.</u>	<u>Description</u>
1	1	206646	Tank (Black)
2	1	200628	Wheel Axle
3	2	226401	Wheel
4	1	900060	Top Pole Section
5	1	908057	Middle Pole Section with Label
6	1	900254	Bottom Pole Section Assembly
7	1	203041	Nut, Hex Flange, 3/8-16
8	1		Net
9	1	201342	Wheel Bracket
10	2	201651	Spacer, Wheel Axle
11	1	201568	T-Strap
12	1	206219	Cap
13	1	266001	Bolt, Carriage, 3/8-16 x 1.5 Long
14	1	203617	Tank Cap
15	1	200439	Label, Moving System and Height Adjust.
16	3	203084	Bolt, Carriage, 5/16-18 x 1.75 Long
17	5	201344	Knob, Plastic, 3-sided
18	1		Rim
19	12*	201219	Smart Clip, Net Holder
20	1	900253	Backboard Mounting Bracket
21	1	203124	Tie Down Stake
22	3	203309	Washer, .406 I.D. x 1.0 O.D.
23	2	203053	Bolt, Carriage 5/16-18 x 4
24	1	902319	Rim Bracket

* YOU MAY HAVE EXTRA PARTS WITH THIS MODEL.



WARNING

FAILURE TO FOLLOW THESE WARNINGS MAY RESULT
IN SERIOUS INJURY AND/OR PROPERTY DAMAGE.

*Owner must ensure that all players know and follow
these rules for safe operation of the system.*

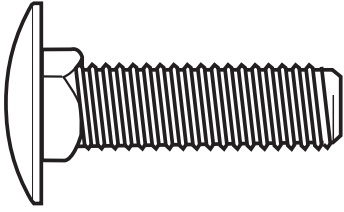
- DO NOT HANG on the rim or any part of the system including backboard, support braces or net.
- During play, especially when performing dunk type activities, keep player's face away from the backboard, rim and net. Serious injury could occur if teeth/face come in contact with backboard, rim or net.
- Do not slide, climb, shake or play on base and/or pole.
- After assembly is complete, fill system completely with water or sand and stake to the ground. Never leave system in an upright position without filling base with weight, as system may tip over causing injuries.
- When adjusting height or moving system, keep hands and fingers away from moving parts.
- Do not allow children to move or adjust system.
- During play, do not wear jewelry (rings, watches, necklaces, etc.). Objects may entangle in net.
- Surface beneath the base must be smooth and free of gravel or other sharp objects. Punctures cause leakage and could cause system to tip over.
- Keep organic material away from pole base. Grass, litter, etc. could cause corrosion and/or deterioration.
- Check pole system for signs of corrosion (rust, pitting, chipping) and repaint with exterior enamel paint. If rust has penetrated through the steel anywhere, replace pole immediately.
- Check system before each use for proper ballast, loose hardware, excessive wear and signs corrosion and repair before use.
- Check system before each use for instability.
- Do not use system during windy and/or severe weather conditions; system may tip over. Place system in the storage position and/or in an area protected from the wind and free from personal property and/or overhead wires.
- Never play on damaged equipment.
- See instruction manual for proper installation and maintenance.
- When moving system, use caution to keep mechanism from shifting.
- Keep pole top covered with cap at all times.
- Do not allow water in tank to freeze. During sub-freezing weather add non-toxic antifreeze, sand or empty tank completely and store. (Do not use salt.)
- Use extreme caution if placing system on sloped surface. System may tip over more easily.

HUFFY® SPORTS

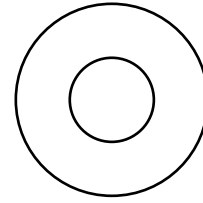
In the U.S.: 1-800-558-5234 and Canada: 1-800-284-8339

201241 2/99

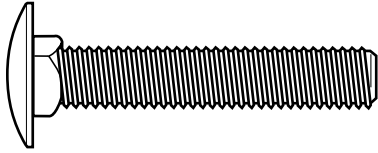
PARTS IDENTIFIER- Hardware is actual size



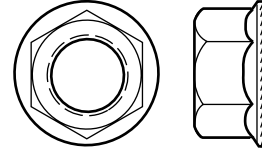
13. Bolt, Carriage, 3/8-16 x 1.5 Long-Qty (1)



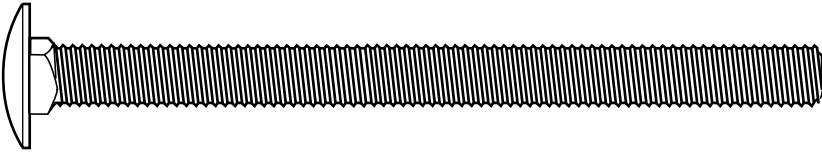
22. Washer, .406 I.D. x 1.0 O.D. -Qty (3)



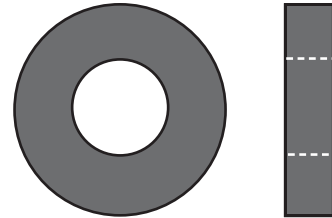
16. Bolt, Carriage, 5/16-18 x 1.75 Long-Qty (3)



7. Nut, Hex Flange, 3/8-16-Qty (1)

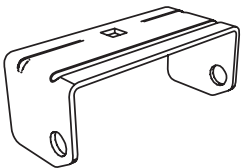


23. Bolt, Carriage, 5/16-18 x 4 Long-Qty (2)

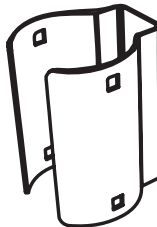


10. Spacer, Wheel Axle-Qty (2)

PARTS IDENTIFIER- Not actual size



9. Wheel Bracket-Qty (1)



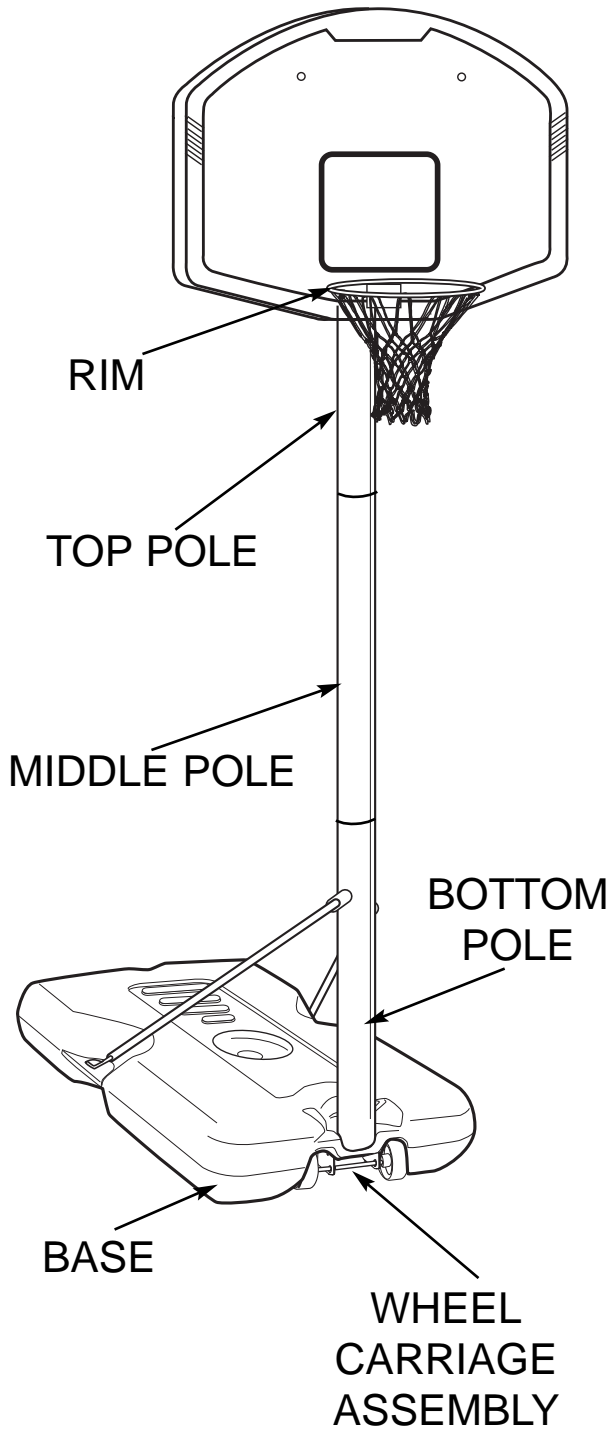
20. Backboard Mounting Bracket-Qty (1)



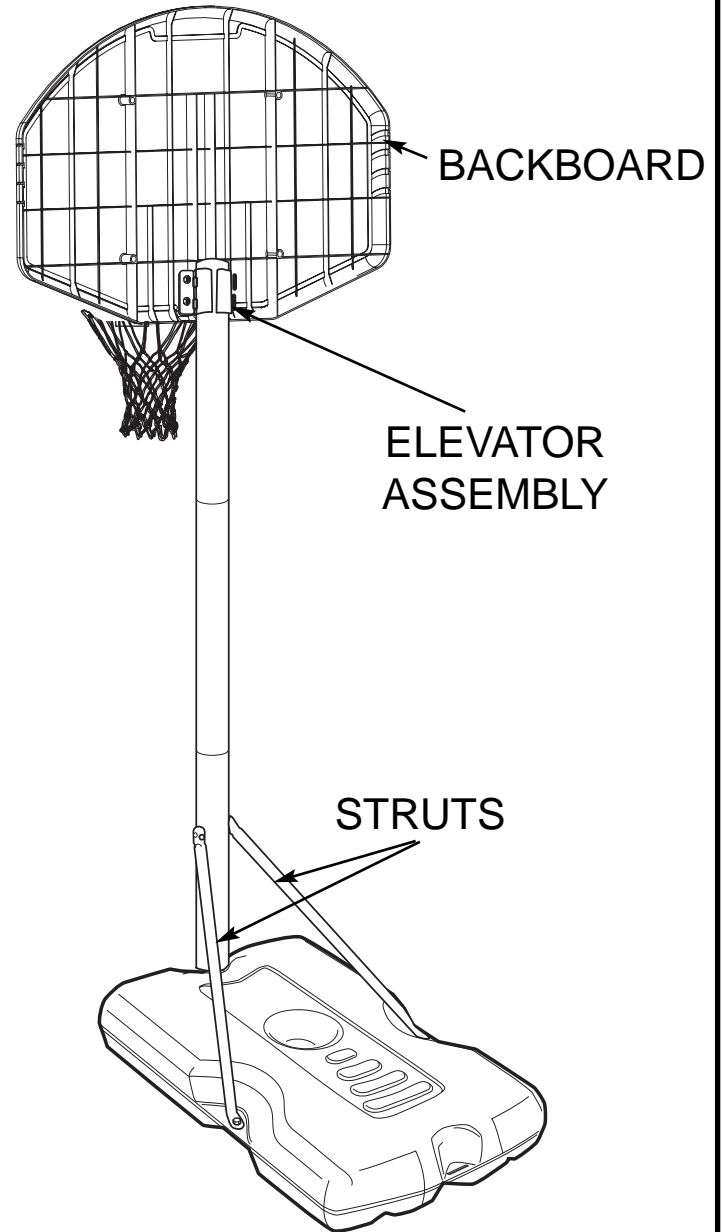
17. Knob-Qty (5)

Get to know the basic parts of your basketball system.....

FRONT

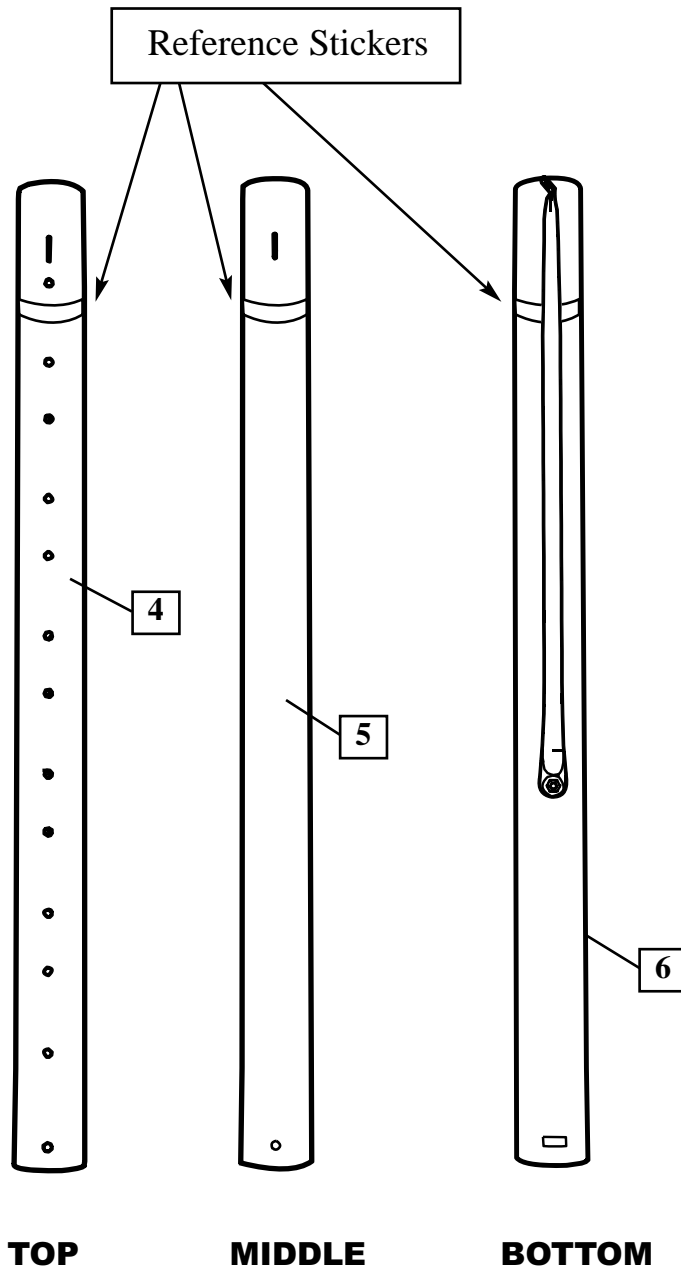


BACK



1.

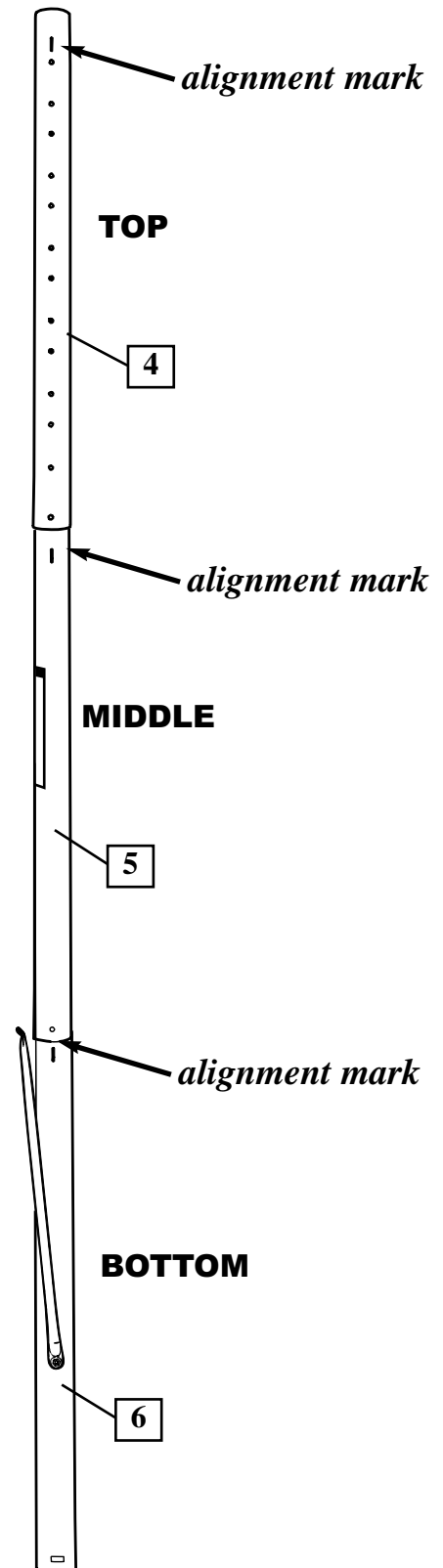
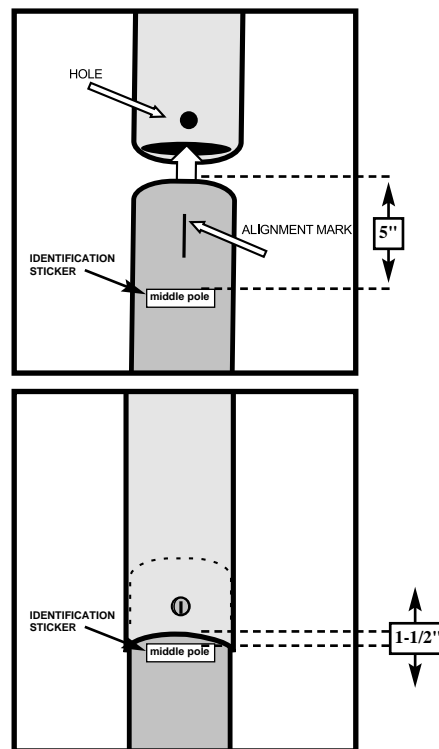
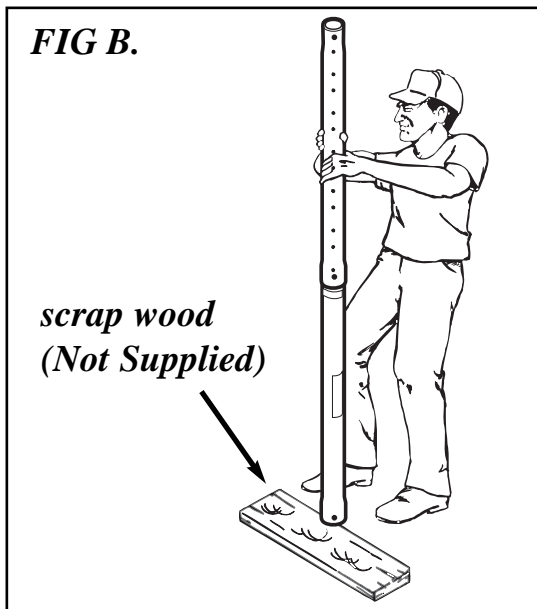
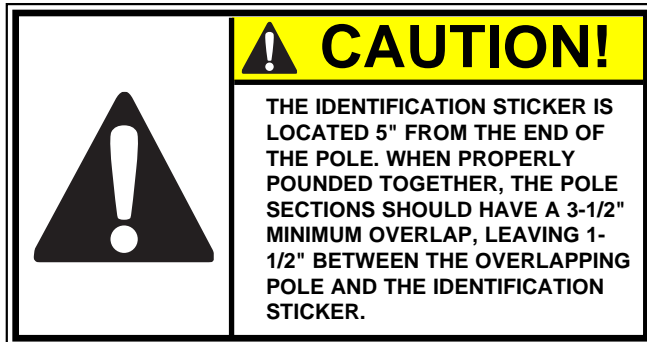
Correctly identify each pole section. Poles have an identification sticker that will be used as a reference point in the next step.



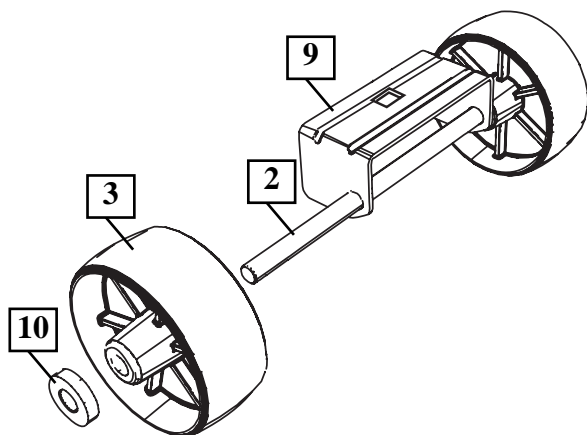
IMPORTANT!

ONCE POLE SECTIONS ARE POUNDED TOGETHER- THEY CANNOT BE TAKEN APART

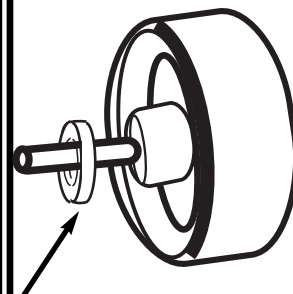
- 2.** Align poles using *alignment marks*. First, pound top and middle poles together by bouncing them on a scrap piece of wood on the ground as shown in **FIG B**. until they no longer move toward pole identification stickers. **THEN** add bottom pole section and pound together in the same way.



- 3.** Install wheel axle (2) through wheel bracket (9) and install wheels (3) onto wheel axle (2) with spacers (10) as shown.

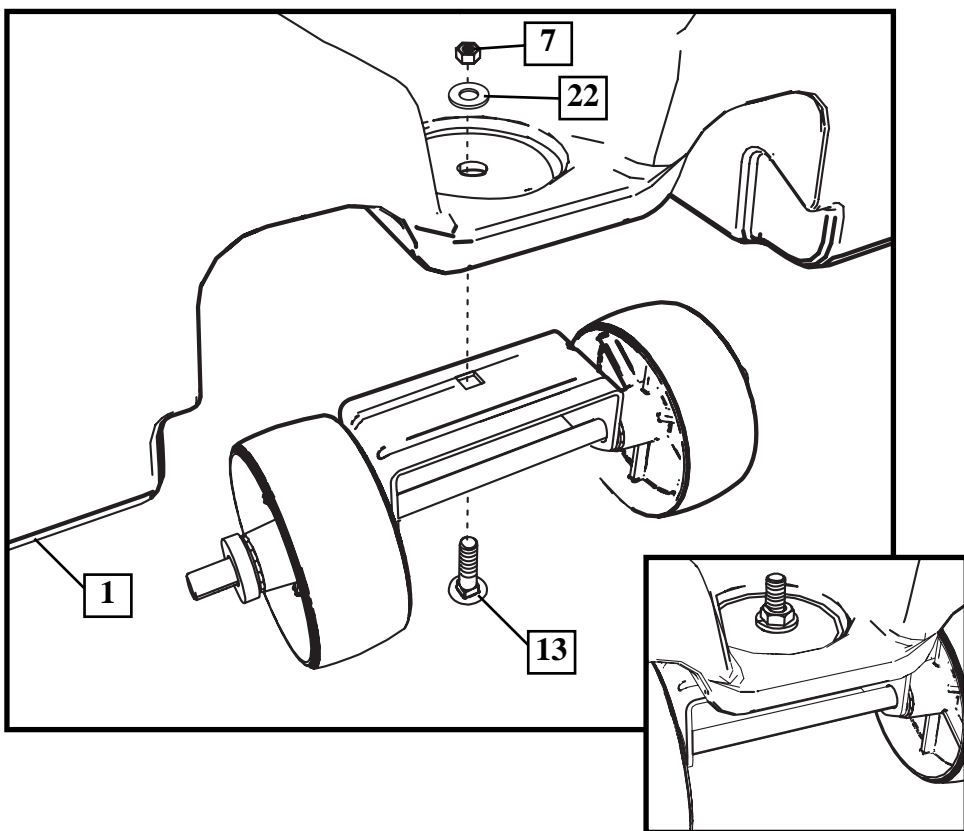


IMPORTANT!:

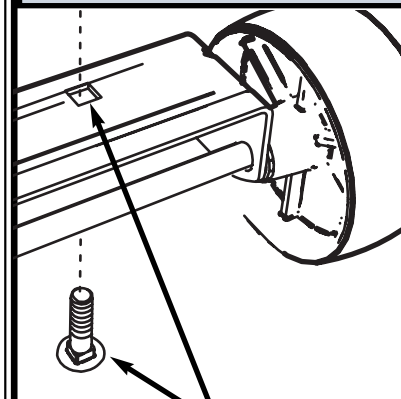


THE SPACER (10) WILL FIT LOOSELY UNTIL SECURED INTO THE CAVITY OF THE BASE.

- 4.** Attach wheel carriage assembly to base (1) with bolt (13), washer (22), and nut (7) as shown. FINGER TIGHTEN - NO TOOLS REQUIRED. Assembly will be fully tightened in next step.



IMPORTANT!:




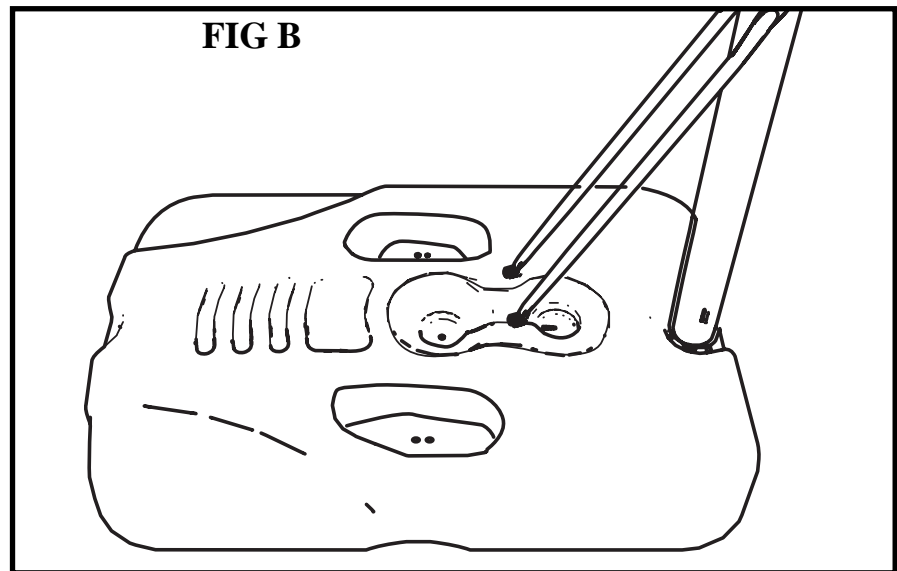
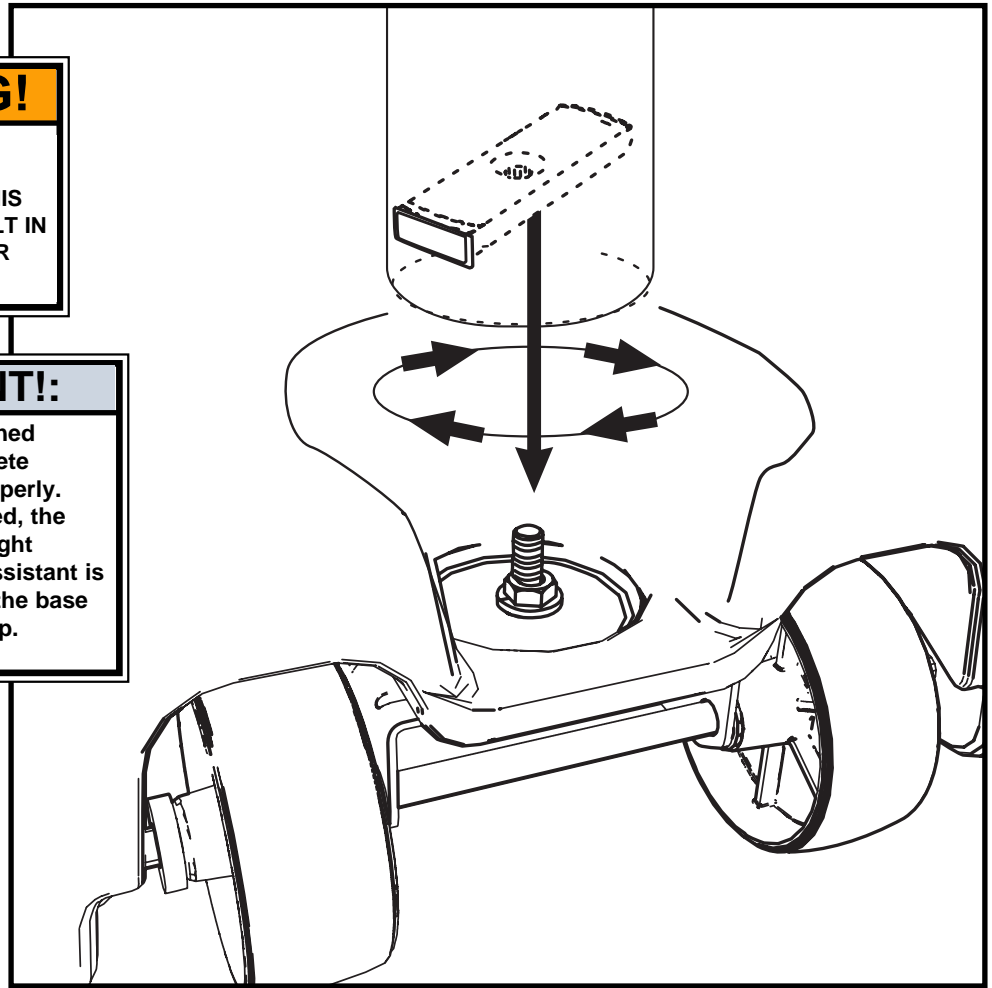
BE SURE THAT THE **SQUARE PORTION** OF THE CARRIAGE BOLT IS PROPERLY SEATED IN THE **SQUARE CUT-OUT** OF THE WHEEL BRACKET.

5.

Attach pole assembly to tank assembly as shown. Secure pole assembly to tank and wheel bracket by turning the pole assembly clockwise as shown. Tighten pole completely and further rotate pole until struts are aligned correctly as shown in **FIG B**.

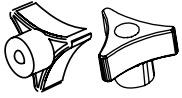
	! WARNING!
	TWO PEOPLE REQUIRED FOR THIS PROCEDURE. FAILURE TO FOLLOW THIS WARNING COULD RESULT IN SERIOUS INJURY AND/OR PROPERTY DAMAGE.

	IMPORTANT!:
	The pole should be turned approximately 7 complete rotations to tighten properly. When properly tightened, the wheel bracket will be tight against the base. An assistant is recommended to hold the base in place during this step.

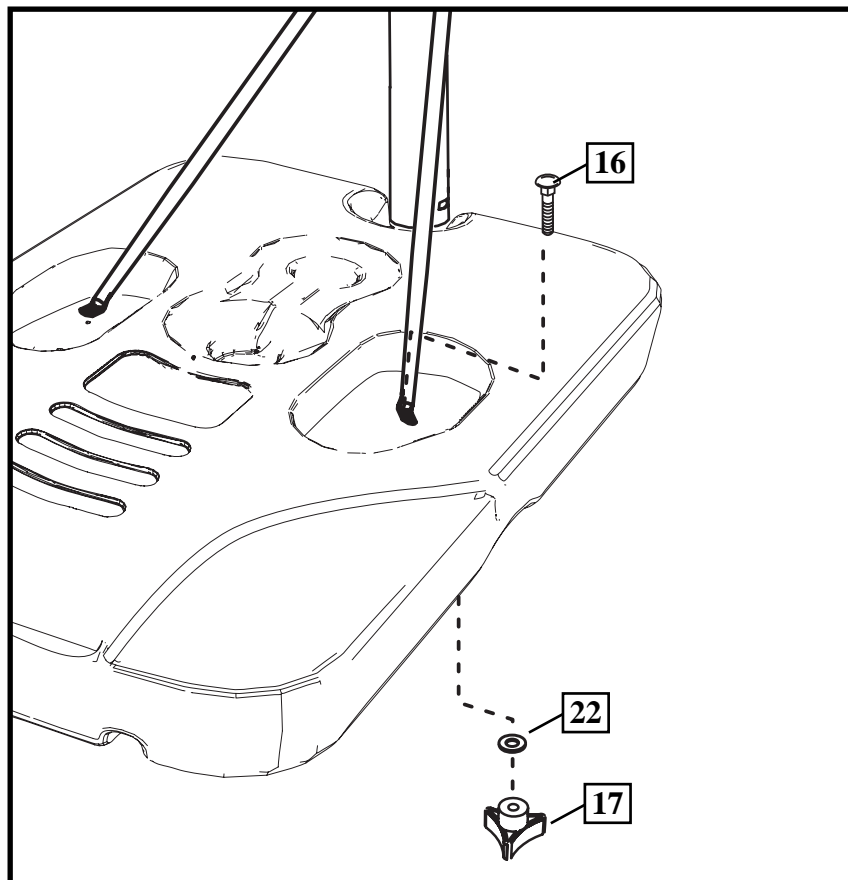


6.

Rotate struts down and bend struts outward to line up with holes on base as shown. Secure free ends of tank struts to tank with carriage bolt (16), washer (22), and knob (17) as shown. Repeat for other side.

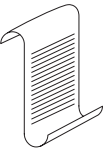


! WARNING!
KNOBS MUST BE TIGHTENED COMPLETELY AND CHECKED PERIODICALLY FOR TIGHTNESS.



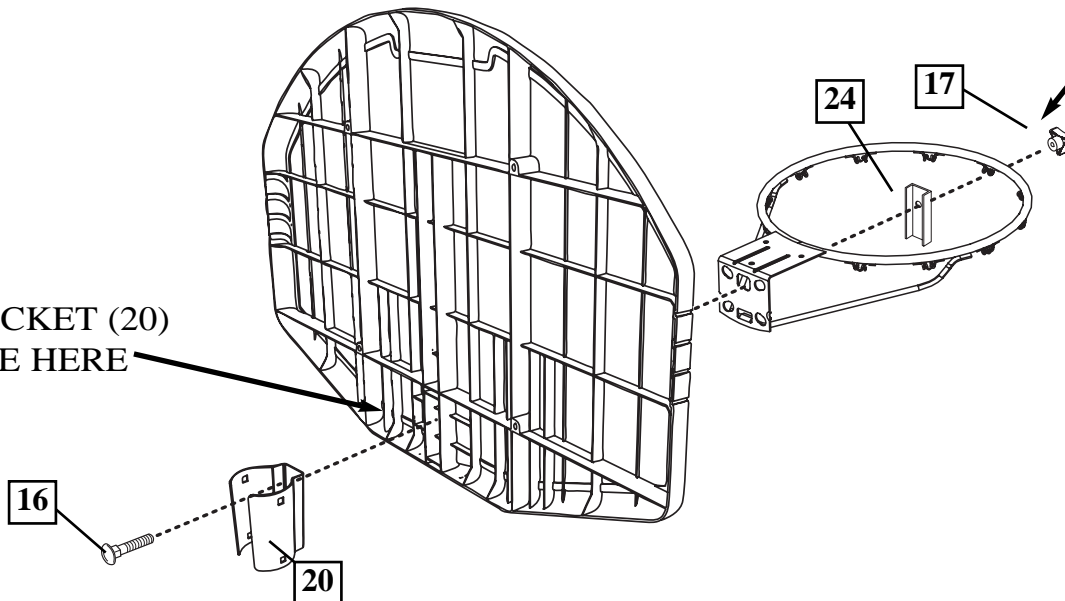
7.

Pole bracket will need to be lightly pressed into backboard ribbing. Be sure to press completely into place. Attach rim to backboard and pole bracket (20) with knob (17), reinforcement bracket (24), and carriage bolt (16) as shown. Tighten knob completely.

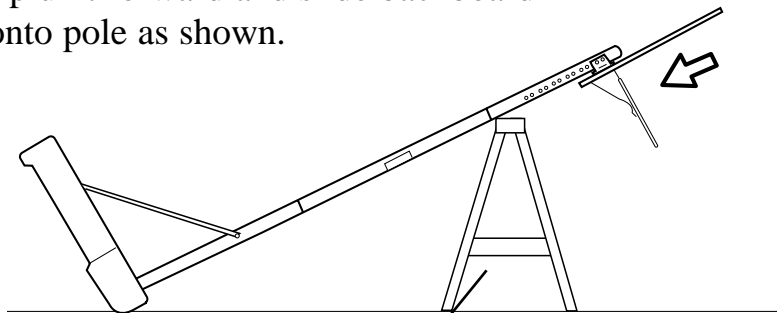
	NOTE: BOARD STYLE MAY VARY
---	---

	WARNING! KNOB MUST BE TIGHTENED COMPLETELY AND CHECKED FOR TIGHTNESS BEFORE EACH USE.
--	--

PRESS BRACKET (20)
INTO PLACE HERE

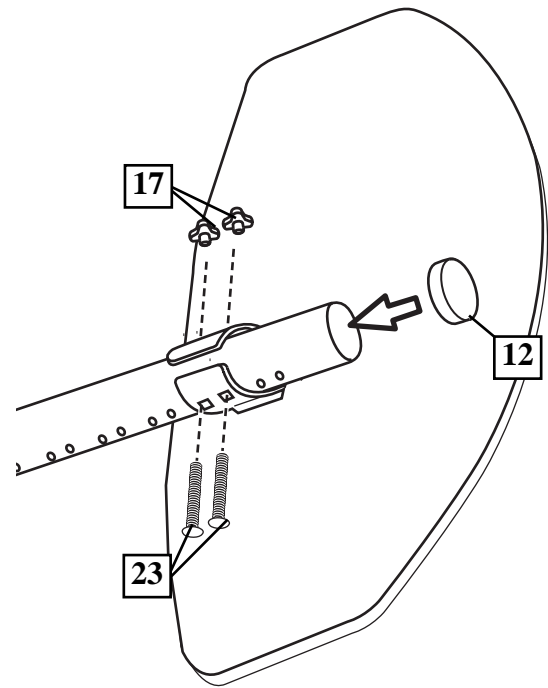


Carefully tip unit forward and slide backboard
assembly onto pole as shown.

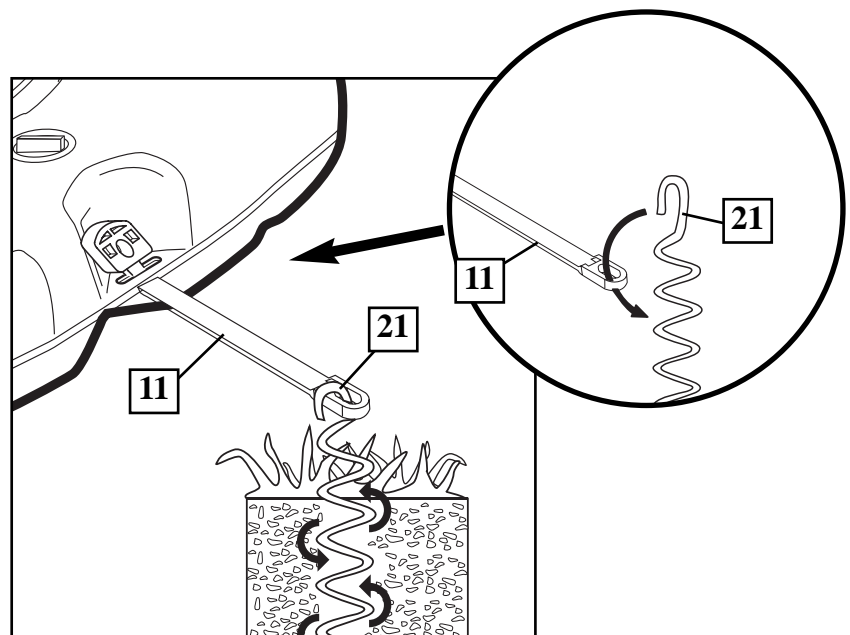
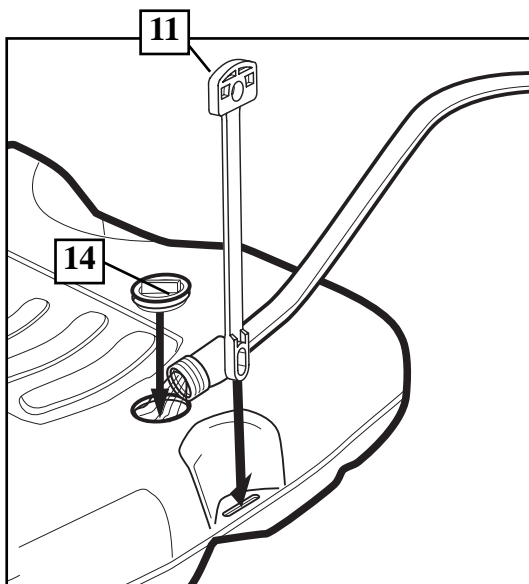
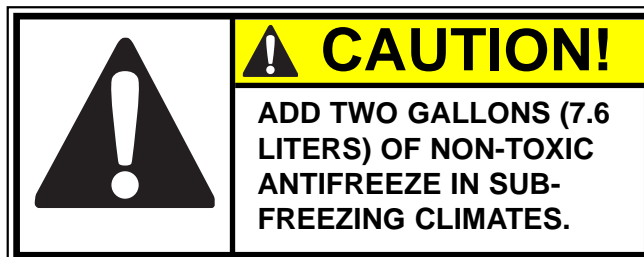


SAWHORSE OR SUPPORT TABLE

- 8.** Attach board assembly to pole with carriage bolts (23) and knobs (17) as shown. Install pole cap (12) as shown.



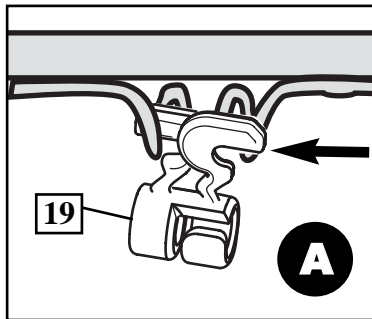
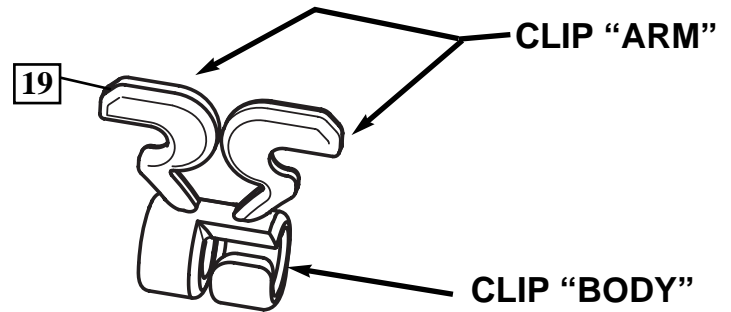
- 9.** Place assembled unit in desired location. Fill tank with water (26 gallons/98.4 liters) or sand (approx. 360 lb./163 kg) and snap tank cap (14) in place. Insert T-strap (11) through slot on back of base as shown. Secure unit to ground by twisting tie down stake (21) into ground and hooking T-strap (11) onto tie down stake (21).



10.

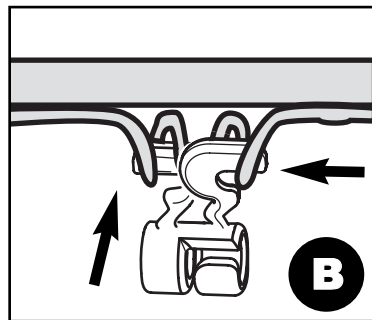
Attach net clips to rim as shown.

	! WARNING!
	USE OF THIS PRODUCT WITHOUT PROPER INSTALLATION OF SMART CLIPS®, OR WHEN ALL SMART CLIPS® ARE NOT PRESENT COULD RESULT IN BODILY HARM. BE SURE TO FOLLOW DIRECTIONS CAREFULLY.

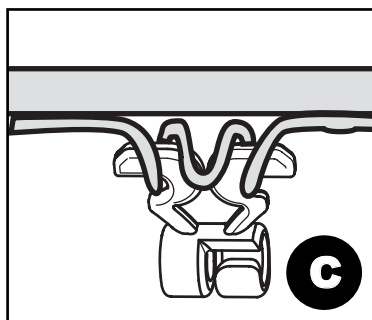


Insert one “arm” of clip into rim as shown. Twist “body” of clip slightly so that second “arm” slides over the top of the first “arm” as shown.

Push in direction indicated by arrows.

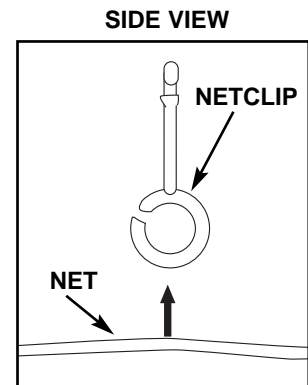
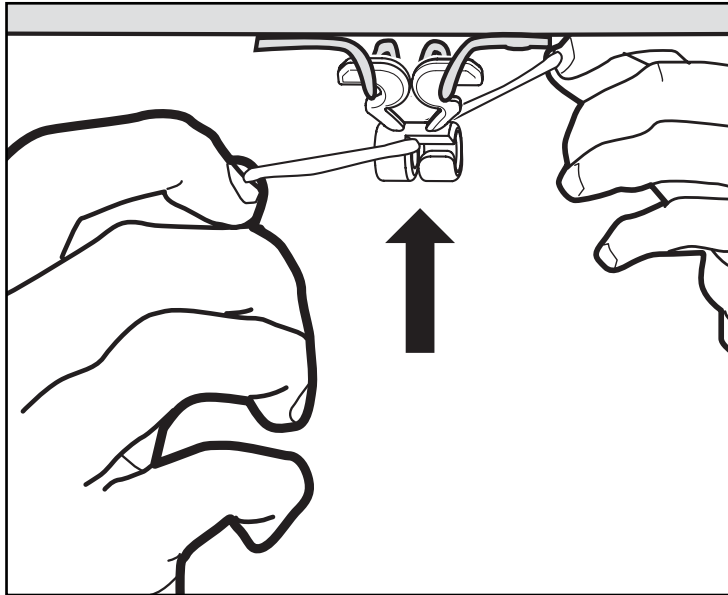


Push second “arm” back and into rim as shown.

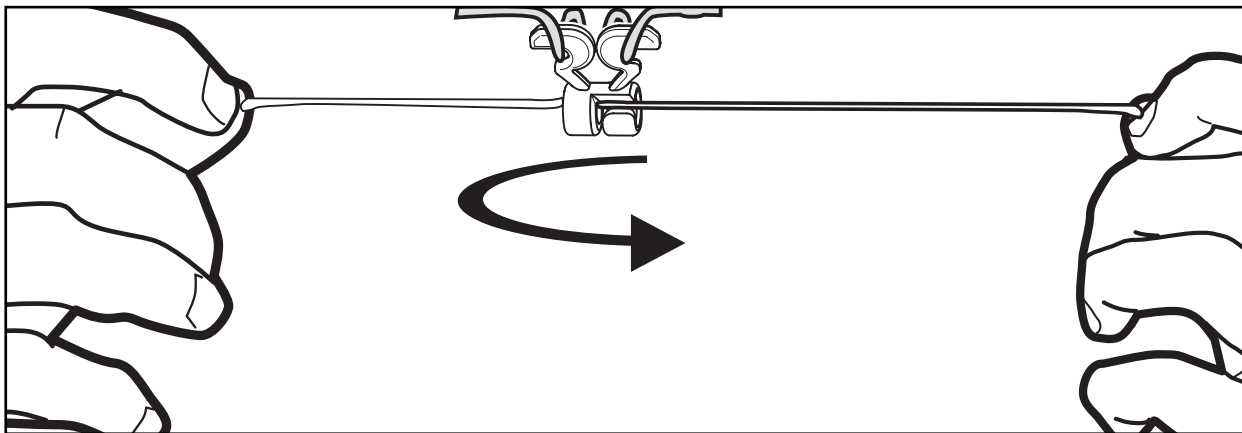


Twist “body” of clip slightly again to spread “arms” of clip. Clip “arms” must be flat and touching edge to edge as shown, not overlapping.

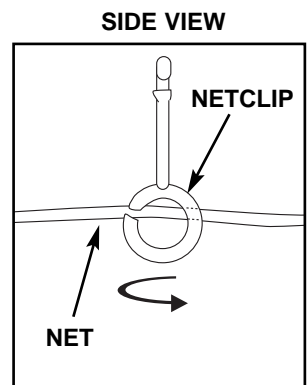
11. Install net.



Insert net into bottom of clip as shown.



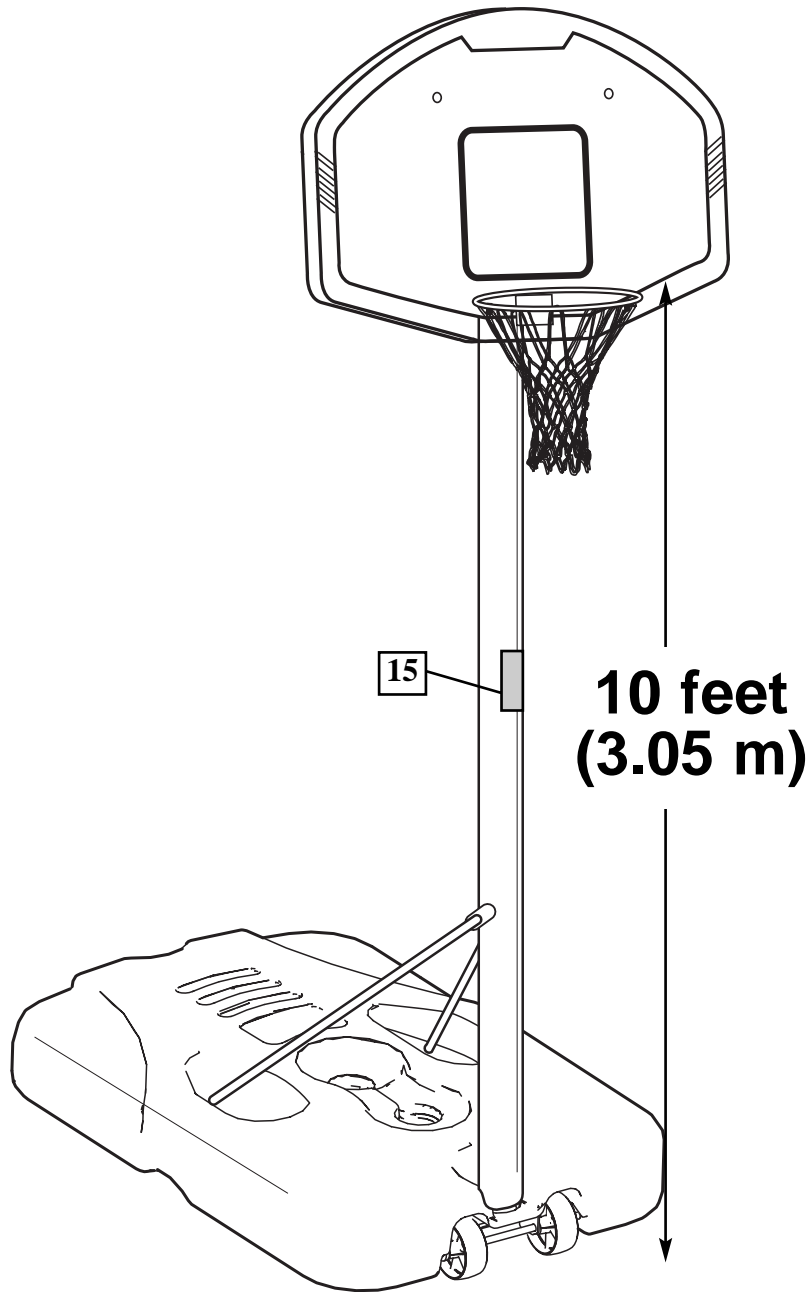
**Twist net until it snaps into position.
Net must be centered through clip.**



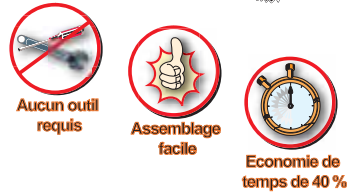
12.

Attach height and moving label (15) to front of pole as shown. Regulation rim height is 10 feet.

<p>HEIGHT ADJUSTMENT</p> <p>After you are finished with the height adjustment, make sure the height adjustment lever is in the "up" position.</p> <p>WARNING</p> <p>Do not use the height adjustment lever to adjust the height of the basketball hoop. The height adjustment lever is only for use to adjust the height of the basketball hoop.</p> <p>MOVING SYSTEM</p> <ol style="list-style-type: none">1. While holding pole, lower basketball hoop to ground.2. Move basketball hoop to desired location.3. Carefully raise basketball hoop to desired height.4. Push back ground contact and check rollers for quality.	<p>CAUTION!</p> <p>HEIGHT AND MOVING LABEL MUST NOT OBSTRUCT FACTORY ATTACHED WARNING LABEL.</p>
--	--



InstaHoop



FRANÇAIS
DEUTSCH
ESPAÑOL

HUFFY[®]SPORTS

Modèle no _____

Numéro sans frais du service clientèle (États-Unis) : 1-800-558-5234
<http://www.huffysports.com>

	! Avertissement
	LISEZ LE MODE D'EMPLOI AVANT D'UTILISER CE SYSTÈME SOUS PEINE D'ENCOURIR DES BLESSURES OU DES DÉGÂTS MATÉRIELS.

HUFFY[®]SPORTS

Modell-Nr. _____

Gebührenfreie Kundendienstnummer für Anrufer in den USA: 1-800-558-5234
<http://www.huffysports.com>

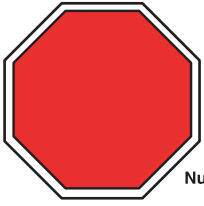
	! Warnung
	DAS BENUTZERHANDBUCH VOR GEBRAUCH DIESES PRODUKTS SORGFÄLTIG DURCHLESEN. EIN MISSACHTEN DIESER BETRIEBSANLEITUNG KANN VERLETZUNGEN ODER SACHSCHÄDEN ZUR FOLGE HABEN.

HUFFY[®]SPORTS

Modelo N.º _____

Número telefónico gratuito de servicio al cliente en EE. UU.: 1-800-558-5234
<http://www.huffysportss.com>

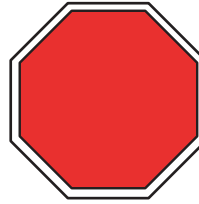
	! ¡Advertencia!
	LEA Y ENTIENDA EL MANUAL DEL OPERADOR ANTES DE USAR ESTA UNIDAD. SI NO SE SIGUEN LAS INSTRUCCIONES DE OPERACIÓN SE PODRÍA OCASIONAR UNA LESIÓN O DAÑOS A LA PROPIEDAD. OR DAMAGE TO PROPERTY.



IMPORTANT!

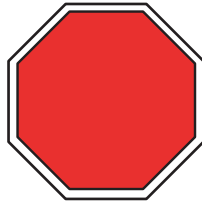
En cas de questions...
pas besoin de retourner au magasin!

Etats-Unis et Canada uniquement: 1-800-284-8339
Numéro vert international (France, Suisse) : 00 800 555 85234



WICHTIG!

Huffy steht zur Qualität seiner Produkte!
(Deutschland, Schweiz): 00 800 555 85234



¡IMPORTANTE!

¡Usted es importante para Huffy!

00 800 555 85234

AVIS AUX PERSONNES CHARGÉES DU MONTAGE

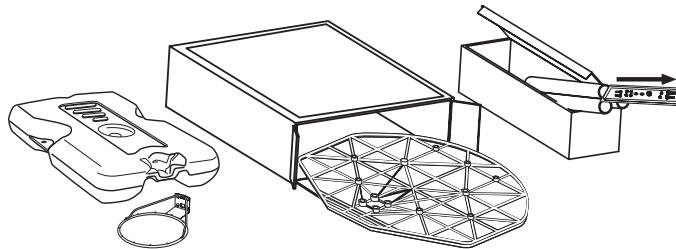
TOUS les systèmes de basket-ball Huffy Sports, y compris ceux utilisés en EXPOSITION, DOIVENT être assemblés et lestés de sable ou d'eau, selon les instructions. Suivez ces instructions sous peine d'encourir des BLESSURES GRAVES. Il est INACCEPTABLE de composer un système de lestage de fortune.

HINWEIS FÜR DIE PERSONEN, DIE DEN ZUSAMMENBAU DURCHFÜHREN

ALLE Basketballsysteme von Huffy Sports, einschließlich der zu Demonstrationszwecken benutzten Systeme, müssen gemäß der Montageanleitung zusammengebaut und mit Sand oder Wasser beschwert werden. Ein Missachten dieser Anleitung kann SCHWERE VERLETZUNGEN zur Folge haben. Zum Beschweren darf NICHT zu irgendwelchen Notbehelfsmaßnahmen gegriffen werden.

AVISO PARA LAS PERSONAS QUE REALIZAN EL MONTAJE

TODOS los sistemas de baloncesto de Huffy Sports, inclusive los usados para EXHIBICIÓN, DEBEN estar montados y equilibrados con arena o agua, de acuerdo con las instrucciones. Si se ignoran estas instrucciones se podría ocasionar una LESIÓN GRAVE. NO es aceptable improvisar un sistema de pesas provisional.



IMPORTANT!

Videz entièrement les boîtes.

Veillez à vérifier l'intérieur des sections de poteau.

La quincaillerie et des pièces supplémentaires sont emballées à l'intérieur.

¡IMPORTANTE!

Saque todo el contenido de las cajas.

Asegúrese de revisar el interior de las secciones del poste.

Aquí se han empacado herraje y piezas adicionales.

WICHTIG!

Die Kartons vollständig auspacken.

Den Hohlraum in den Stangenteilen inspizieren.

Dort sind Befestigungs- und andere Kleinteile verpackt.

⚠️ CONSIGNES DE SÉCURITÉ ! ⚠️

SUIVEZ CES CONSIGNES DE SÉCURITÉ SOUS PEINE DE PROVOQUER DES BLESSURES GRAVES, DES DÉGÂTS MATÉRIELS ET L'ANNULATION DE LA GARANTIE.

Le propriétaire doit s'assurer que tous les joueurs connaissent et suivent ces règles d'utilisation sûre du système.

Par mesure de sécurité, n'essayez pas de monter ce système sans suivre scrupuleusement les instructions. Un montage, une utilisation et une supervision corrects et complets sont indispensables à un bon fonctionnement et à la réduction des risques d'accident ou de blessure. Des blessures graves sont très probables si le système n'est pas installé, entretenu et utilisé correctement.

- Si vous utilisez une échelle en cours de montage, soyez extrêmement prudent.
- Vérifiez régulièrement le socle pour vous assurer qu'il ne fuit pas. Les petites fuites risquent d'entraîner le basculement intempestif du système.
- Emboîtez correctement les sections de poteau (le cas échéant). Elles risquent sinon de se déboîter en cours de jeu et/ou de transport du système.
- Les conditions climatiques, la corrosion ou une mauvaise utilisation risquent de provoquer la panne du système.
- Pour toute assistance technique, contactez Huffy Sports.
- La hauteur minimale d'utilisation est de 1,98 (6' 6") m jusqu'à la base du panneau.

La plupart des blessures sont causées par une mauvaise utilisation et/ou le non-respect des instructions. Soyez prudent lorsque vous utilisez ce système.

⚠️ SICHERHEITSHINWEISE ⚠️

EIN MISSACHTEN DIESER SICHERHEITSHINWEISE KANN ZU SCHWEREN VERLETZUNGEN UND/ODER SACHSCHÄDEN FÜHREN UND MACHT DIE GARANTIE UNWIRKSAM..

Der Eigentümer muss sicherstellen, dass alle Spieler diese Regeln für einen sicheren Betrieb des Systems kennen und befolgen.

Aus Sicherheitsgründen darf dieses System nur unter sorgfältiger Beachtung der Anleitung zusammengebaut werden. Eine ordnungsgemäße und vollständige Montage, Verwendung und Aufsicht ist für den richtigen Betrieb und zur Reduzierung des Unfall- oder Verletzungsrisikos absolut erforderlich. Bei einer unsachgemäßen Installation und Wartung und bei einem falschen Betrieb dieses Systems besteht ein hohes Risiko schwerer Verletzungen.

- Beim Gebrauch einer Leiter während des Zusammenbaus extrem vorsichtig vorgehen.
- Den Sockel regelmäßig auf Leckstellen untersuchen. Langsam austretende Füllmittel können ein unerwartetes Umkippen des Systems verursachen.
- Die einzelnen Stangenteile richtig zusammenfügen (falls anwendbar). Andernfalls können sich die Stangenteile beim Spielbetrieb und/oder während des Transports des Systems voneinander lösen.
- Klimatische Bedingungen, Korrosion oder Fehlgebrauch kann zu Systemdefekten führen.
- Technische Unterstützung kann direkt von Huffy Sports angefordert werden.
- Die Mindestspielhöhe beträgt 1,98m (6,6 Fuß) bis zur Unterkante der Korbwand.

Die meisten Verletzungen werden durch einen Fehlgebrauch bzw. ein Missachten der Anleitungen verursacht. Bei der Verwendung dieses Geräts vorsichtig vorgehen.

⚠️ ¡INSTRUCCIONES DE SEGURIDAD! ⚠️

EL INCUMPLIMIENTO DE ESTAS INSTRUCCIONES DE SEGURIDAD PUEDE DAR COMO RESULTADO LESIONES GRAVES, DAÑOS MATERIALES Y ANULARÁ LA GARANTÍA..

El propietario debe asegurarse de que todos los jugadores conozcan y obedezcan estas reglas para la operación segura del sistema.

Por su seguridad, no intente montar este sistema sin seguir cuidadosamente las instrucciones. Es esencial el montaje completo, y el uso y la supervisión adecuados para la operación correcta del sistema y para reducir el riesgo de accidentes o lesiones. Existe una alta probabilidad de sufrir lesiones graves si este sistema no se instala, mantiene y opera adecuadamente.

- Si utiliza una escalera de mano durante el montaje, tenga mucho cuidado.
- Revise regularmente la base para detectar fugas. Las fugas lentas podrían causar que el sistema se cayera inesperadamente
- Asiente correctamente las secciones del poste (si aplica). Si no lo hace, las secciones del poste podrían separarse durante el juego y/o durante el transporte del sistema.
- El clima, la corrosión y el mal uso podrían ocasionar la falla del sistema.
- Si requiere asistencia técnica, comuníquese con Huffy Sports.
- La altura mínima de operación es de 1.98m (6' 6") hasta la parte inferior del respaldo.

La mayoría de las lesiones son causadas por el uso inadecuado y/o por el incumplimiento de las instrucciones. Tenga cuidado cuando use esta unidad.

**LISTE DES PIÈCES
TEILELISTE
LISTA DE PIEZAS**

<u>Légende</u>	<u>Quantité</u>	<u>No de réf.</u>	<u>Description</u>
1	1	206646	Réservoir (noir)
2	1	200628	Axe des roues
3	2	226401	Roue
4	1	900060	Section de poteau supérieure
5	1	908057	Section de poteau centrale avec étiquette
6	1	900254	Section de poteau inférieure
7	1	203041	Écrou, collet à six pans, 3/8-16
8	1		Filet
9	1	201342	Support de roues
10	2	201651	Entretoise, axe des roues
11	1	201568	Sangle en T
12	1	206219	Capuchon
13	1	266001	Boulon ordinaire, 3/8-16 x 1.5 long.
14	1	203617	Bouchon de réservoir
15	1	200439	Étiquette, déplacement du système et réglage de hauteur
16	3	203084	Boulon ordinaire, 5/16-18 x 1.75 long.
17	5	201344	Bouton en plastique, 3 côtés
18	1		Cerceau
19	12*	201219	Pince Smart Clip, fixation du filet
20	1	900253	Support de panneau
21	1	203124	Piquet de fixation au sol
22	3	203309	Rondelle, D.I. 1 cm x D.E. 2,5 cm
23	2	203053	Boulon ordinaire, 5/16-18 x 4
24	1	902319	Support du cerceau

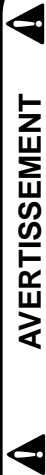
* IL EST POSSIBLE QUE VOUS AYEZ D'AUTRES PIÈCES AVEC CE MODÈLE.

<u>Nr.</u>	<u>Anz.</u>	<u>Teilenummer</u>	<u>Beschreibung</u>
1	1	206646	Tank (Schwarz)
2	1	200628	Radachse
3	2	226401	Rad
4	1	900060	Oberes Stangenteil
5	1	908057	Mittleres Stangenteil mit Aufkleber
6	1	900254	Untere Stangenteilgruppe
7	1	203041	Sechskant-Flanschnutter, 3/8-16
8	1		Netz
9	1	201342	Radhalterung
10	2	201651	Abstandsstück, Radachse
11	1	201568	T-Riemen
12	1	206219	Deckel
13	1	266001	Schlossschraube, 3/8-16 x 1,5 Länge
14	1	203617	Tankdeckel
15	1	200439	Schild, Systemtransport und Höhenverstellung
16	3	203084	Schlossschraube, 5/16-18 x 1,75 Länge
17	5	201344	Plastikknopf, 3-seitig
18	1		Korbrand
19	12*	201219	Smart Clip, Netzhalteklammer
20	1	900253	Korbwand-Montagehalterung
21	1	203124	Bodenverankerungspfahl
22	3	203309	Unterlegscheibe, 0,406 ID x 1,0 AD
23	2	203053	Schlossschraube, 5/16-18 x 4
24	1	902319	Korbrandhalterung

* Diesem Modell können zusätzliche Teile beige packt sein.

<u>Artículo</u>	<u>Cant.</u>	<u>Pieza N.º</u>	<u>Descripción</u>
1	1	206646	Tanque (negro)
2	1	200628	Eje de la rueda
3	2	226401	Rueda
4	1	900060	Sección superior del poste
5	1	908057	Sección media del poste con etiqueta
6	1	900254	Conjunto de la sección inferior del poste
7	1	203041	Tuerca, brida hexagonal, 3/8-16
8	1		Red
9	1	201342	Soporte de la rueda
10	2	201651	Espaciador, eje de la rueda
11	1	201568	Correa en T
12	1	206219	Tapa
13	1	266001	Perno cabeza de carro, 3/8-16 x 1.5 de longitud
14	1	203617	Tapa del tanque
15	1	200439	Etiqueta, movimiento del sistema y ajuste de la altura.
16	3	203084	Perno cabeza de carro, 5/16-18 x 1.75 de longitud
17	5	201344	Perilla, plástico, 3 lados
18	1		Borde
19	12*	201219	Sujetador de la red, Smart Clip
20	1	900253	Soporte de montaje del respaldo
21	1	203124	Estaca de amarre
22	3	203309	Arandela, .406 D.I. x 1.0 D.E.
23	2	203053	Perno cabeza de carro, 5/16-18 x 4
24	1	902319	Soporte del borde

** Puede haber piezas adicionales en este modelo.



AVERTISSEMENT

SUIVEZ CES AVERTISSEMENTS SOUS PEINE

DE PROVOQUER DES BLESSURES GRAVES ET/OU DES DEGATS MATERIELS.

Le propriétaire du système doit s'assurer que tous les joueurs connaissent et suivent ces consignes d'utilisation sûre du système.

- NE VOUS SUSPENDEZ PAS sur le cerceau ou sur toute autre partie du système, y compris le panneau, les supports ou le filet.
- Durant le jeu, en particulier lorsque vous faites des smash, gardez le visage à l'écart du panneau, du cerceau et du filet. Des blessures graves sont possibles si les dents ou le visage viennent à entrer en contact avec le panneau, le cerceau ou le filet.
- Ne glissez et ne montez pas sur le socle et/ou le poteau, ne les secouez pas et ne jouez pas dessus.
- Une fois le montage terminé, remplissez complètement le système d'eau ou de sable et fixez-le au sol à l'aide du piquet. Ne laissez jamais le système à la verticale sans avoir lesté le socle, car il risquerait de se renverser et de causer des blessures.
- Lorsque vous réglez la hauteur ou que vous déplacez le système, gardez les mains et les doigts à l'écart des pièces en mouvement.
- Ne laissez pas des enfants déplacer ou régler le système.
- Avant le jeu, retirez vos bijoux (bagues, montres, colliers, etc.). Ces objets risquent de se prendre dans le filet.
- La surface sous le socle doit être lisse et sans gravier ou autres objets pointus. Les perforations causeront des fuites et risquent de faire basculer le système.
- Maintenez les substances organiques à l'écart du socle du poteau. L'herbe, les déchets, etc. risquent de causer la corrosion et/ou la détérioration du système.
- Vérifiez l'état du système (signes de corrosion comme rouille, piqûres, écaillage) et repeignez avec de la peinture émail pour extérieur. Si la rouille a pénétré en tout point de l'acier, remplacez immédiatement le poteau.
- Vérifiez le système avant chaque utilisation (lest, visserie mal serrée, usure excessive et signes de corrosion) et réparez avant utilisation.
- Vérifiez la stabilité du système avant chaque utilisation.
- N'utilisez pas le système les jours de vent fort et/ou de tempête ; il risque de se renverser. Placez le système en position de stockage et/ou dans un endroit protégé du vent et à l'écart de biens personnels et/ou de fils suspendus.
- Ne jouez jamais sur du matériel abîmé.
- Pour les instructions d'installation et d'entretien, reportez-vous au guide fourni.
- Lorsque vous déplacez le système, soyez prudent pour empêcher le mécanisme de se déséquilibrer.
- Maintenez le poteau bouché à tout moment.
- Ne laissez pas geler l'eau du socle. Lorsqu'il fait très froid, ajoutez de l'antigel ou du sable, ou videz complètement le socle et rangez-le. (N'utilisez pas de sel.)
- Soyez extrêmement prudent si vous placez le système sur une déclivité. Le système risque de se renverser plus facilement.

HUFFYSPORTS

201241 2/99



WARNUNG

Ein Missachten dieser Warnung kann zu schweren Verletzungen und/oder Sachschäden führen und macht die Garantie unwirksam

Der Eigentümer muß sicherstellen, daß alle Spieler diese Regeln für einen sicheren Betrieb des Systems kennen und befolgen.

- NICHT am Korbrand oder irgendeinem anderen Teil des Systems, einschl. Korbrand, Stützstreben oder Netz HANGEN.
- Während des Spielbetriebs, besonders bei Slam-Dunk-Manövern, müssen die Spieler ihr Gesicht von Korbrand, Korbrand und Netz fernhalten. Der Kontakt von Zähnen/Gesicht mit der Korbrand, dem Korbrand oder dem Netz kann schwere Verletzungen zur Folge haben.
- Nicht auf dem Sockel und/oder der Stange herumrutschen, Klettern, daran rütteln oder damit spielen.
- Nach dem Zusammenbau das System ganz mit Wasser oder Sand füllen und im Boden verankern. Das System niemals in aufrechter Position stehen lassen, ohne den Sockel zu beschweren, da es andernfalls umkippen und Verletzungen verursachen kann.
- Beim Einsteilen der Höhe oder beim Transport des Systems Hände und Finger von beweglichen Teilen fernhalten.
- Kindern sollte das Verschieben oder Einstellen des Systems nicht gestattet werden.
- Beim Spielen keinen Schmutz (Ringe, Armbanduhren, Halsketten usw.) tragen. Gegenstände dieser Art können sich im Netz verfangen.
- Die Oberfläche unter dem Sockel muß glatt und frei von Kies oder anderen scharfkantigen Gegenständen sein. Löcher können zu Lecks und somit zu einem Umkippen des Systems führen.
- Organische Materialien vom Stangensockel fernhalten. Gras, Abfälle, usw. können Korrosion und/oder Abbauschichtungen verursachen.
- Das Stangensystem auf Anzeichen von Korrosion (Rost, Narbenbildung, Abblättern) untersuchen und mit Emailaußenfarbe neu lackieren. Wenn sich Rost an irgendeiner Stelle durch den Stahl durchgefressen hat, ist die Stange sofort auszutauschen.
- Das System vor jeder Benutzung auf den richtigen Ballast, lose Befestigungsteile, übermäßige Abnutzungerscheinungen und Anzeichen von Korrosion untersuchen; vor jedem Einsatz entsprechende Korrekturmaßnahmen bzw. Reparaturen durchzuführen.
- Die Stabilität des System vor jedem Gebrauch überprüfen.
- Witterungsverhältnissen benutzen, da es unter diesen Umständen umkippen kann. Das System in die Lagerposition versetzen und/oder in einen windgeschützten Bereich bringen, an dem es keine Sachschäden verursachen kann bzw. wo keine Oberleitungen vorhanden sind.
- Niemals an bzw. mit einer beschädigten Ausrüstung spielen.
- Die ordnungsgemäße Installation und Wartung ist dem Gebrauchshandbuch zu entnehmen.
- Beim Transport des Systems darauf achten, daß sich der Mechanismus nicht verschiebt.
- Das über Stangenende muß jederzeit mit einer Kappe abgedeckt sein.
- Das Wasser im Tank darf keinesfalls gefrieren. Bei Temperaturen unter dem Nullpunkt ungefrorenes Gefrierschutzmittel oder Sand hinzufügen oder den Tank völlig entleeren und lagern. (Kein Salz verwenden.)
- Beim Aufstellen des Systems auf einer geneigten Fläche mit großer Vorsicht vorgehen. Das System kann unter diesen Umständen leichter umkippen.

HUFFYSPORTS

201241 2/99



ADVERTENCIA

SI NO SE OBSERVAN ESTAS ADVERTENCIAS SE PUEDEN OCASIONAR LESIONES GRAVES Y/O DAÑOS MATERIALES

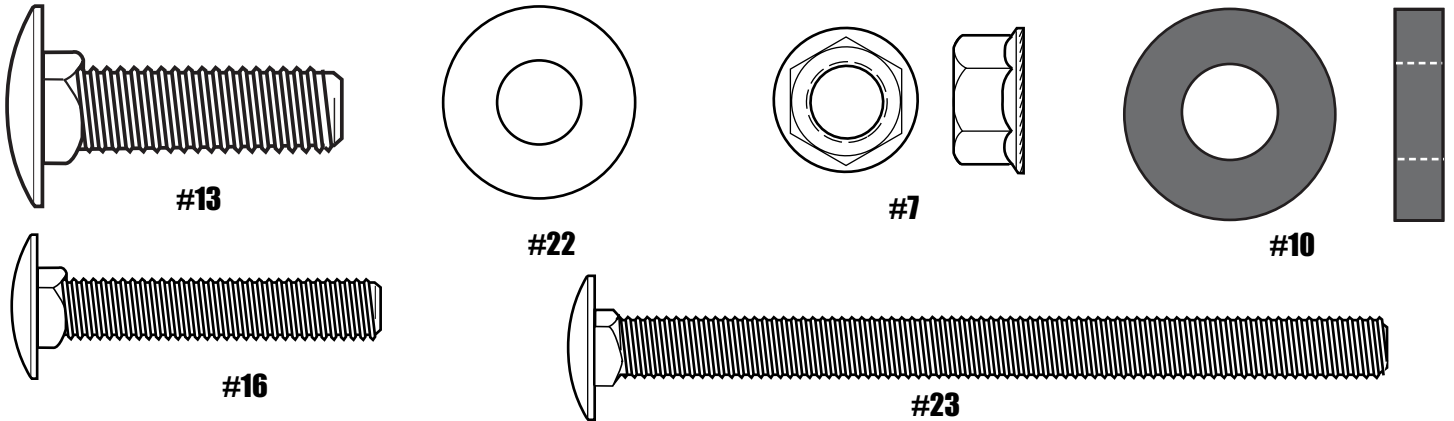
El propietario debe asegurarse de que todos los jugadores ozoocan y sigan estas reglas para la operación segura del sistema.

- NO SE CUELQUE del borde ni de ninguna parte del sistema, inclusive el respaldo, abrazaderas de soporte o red.
- Durante el juego, especialmente cuando se realizan actividades de disparo de pelota, el jugador debe mantener la cara alejada del respaldo, borde y red. Si los dientes o la cara entran en contacto con el respaldo, el borde o la red se podría ocasionar una lesión grave.
- No se deslice, suba, mueva ni juegue sobre la base y/o en el poste.
- Después de terminar el montaje, llene completamente el sistema con agua o arena y fíjelo al piso. Nunca deje el sistema en una posición vertical con la base vacía, ya que se podría ladear y causar lesiones.
- Cuando ajuste la altura o mueva el sistema, mantenga las manos y los dedos alejados de las partes móviles.
- No permita que los niños muevan o ajusten el sistema.
- Durante el juego no use bisutería (anillos, relojes, collares, etc.) Los objetos pueden enredarse en la red.
- La superficie debajo de la base debe estar lisa y no tener grava ni otros objetos filosos. Las perforaciones ocasionan fugas y éstas podrían ocasionar que el sistema se ladee.
- Mantenga el material orgánico alejado de la base del poste. El césped, desperdicios, etc. podrían causar corrosión y/o deterioro.
- Verifique que el sistema del poste no esté corroído (oxidación, corrosión, astillamiento) y si es así vuelvalo a pintar con pintura de esmalte para exteriores. Si la oxidación penetró en el acero en algún punto, reemplácelo inmediatamente el poste.
- Antes de usar el sistema verifique que tenga el balasto adecuado, que la tornillería no esté floja y que no esté excesivamente desgastado ni tenga signos de corrosión. Si presenta alguna de estas condiciones repárelo antes de usarlo.
- Revise la estabilidad del sistema antes de usarlo.
- No use el sistema durante condiciones de mucho viento y/o condiciones climáticas severas, el sistema se puede ladear. Coloque el sistema en posición de almacenamiento y/o en un área protegida del viento y alejado de la propiedad personal o cables suspendidos.
- Nunca juegue en equipo dañado.
- Consulte el manual de instrucciones para ver la instalación y mantenimiento adecuados.
- Cuando mueva el sistema tenga cuidado de que el mecanismo no se desplace.
- Siempre mantenga tapada la sección superior del poste.
- No permita que el agua del tanque se congele. En condiciones climáticas bajo cero añada un anticongelante no tóxico, arena, o vacíe completamente el tanque y almacene el sistema. (No use sal.)
- Tenga mucho cuidado si coloca el sistema en una superficie con pendiente. El sistema se puede ladear más fácilmente.

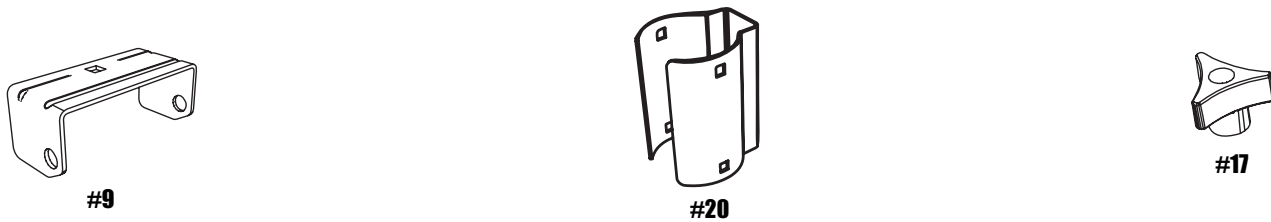
HUFFYSPORTS

201241 2/99

DESCRIPTIF DES PIÈCES - La visserie est grandeur nature.
TEILESCHLÜSSEL - Die Befestigungsteile sind in ihrer tatsächlichen Größe abgebildet.
IDENTIFICADOR DE PIEZAS: El herraje aparece en su tamaño real



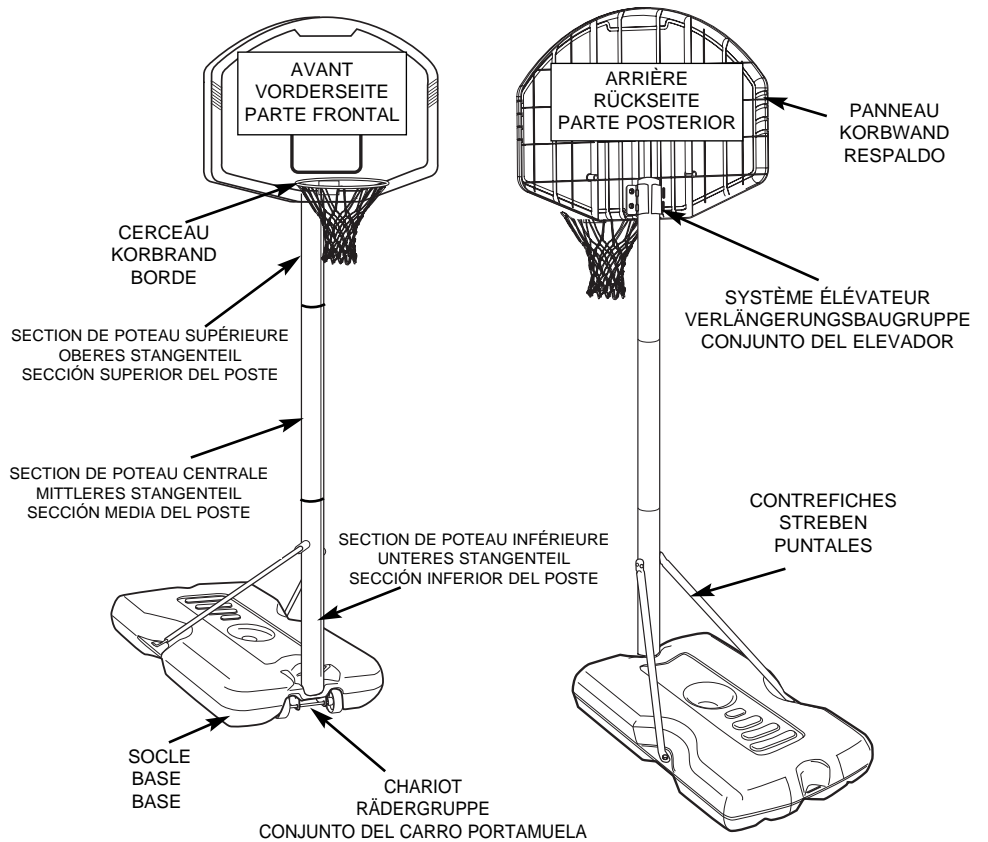
IDENTIFICATION DES PIÈCES - Pas à la grandeur réelle
TEILESCHLÜSSEL - Die einzelnen Teile sind nicht in ihrer tatsächlichen Größe abgebildet.
IDENTIFICADOR DE PIEZAS: Las piezas no aparecen en su tamaño real



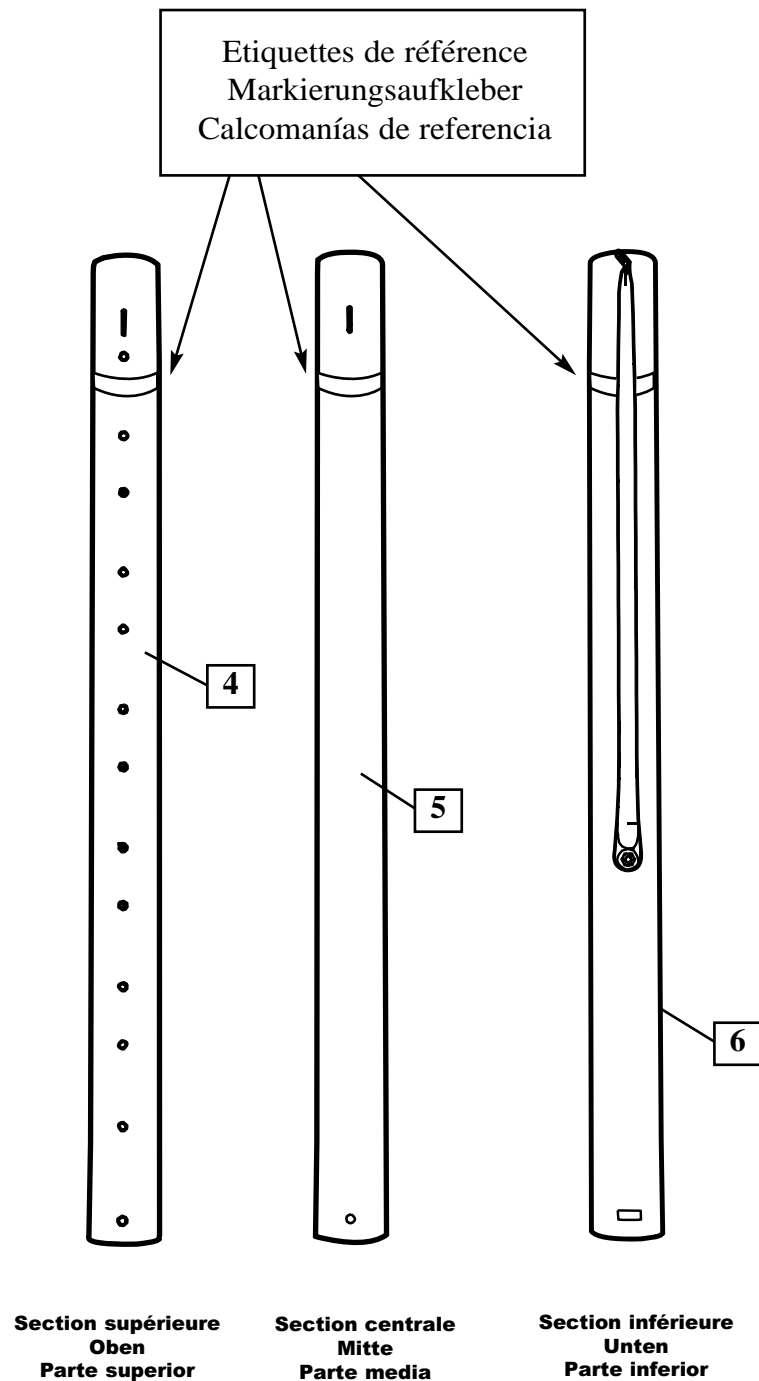
Apprenez à connaître les composants de base de votre système de basket-ball....

Machen Sie sich mit den wichtigsten Teilen Ihres Basketballsystems vertraut...

Conozca las piezas básicas de su sistema de baloncesto...



- 1.**
- Identifiez correctement chaque section de poteau. Les poteaux ont une étiquette d'identification qui servira de point de repère à l'étape suivante.
 - Jedes Stangenteil richtig identifizieren. Die Stangenteile sind mit Aufklebern markiert, die als Orientierungshilfe für den nächsten Schritt dienen.
 - Identifique correctamente cada sección del poste. Los postes tienen una calcomanía de identificación que se usará como punto de referencia en el paso siguiente.



2.

IMPORTANT!

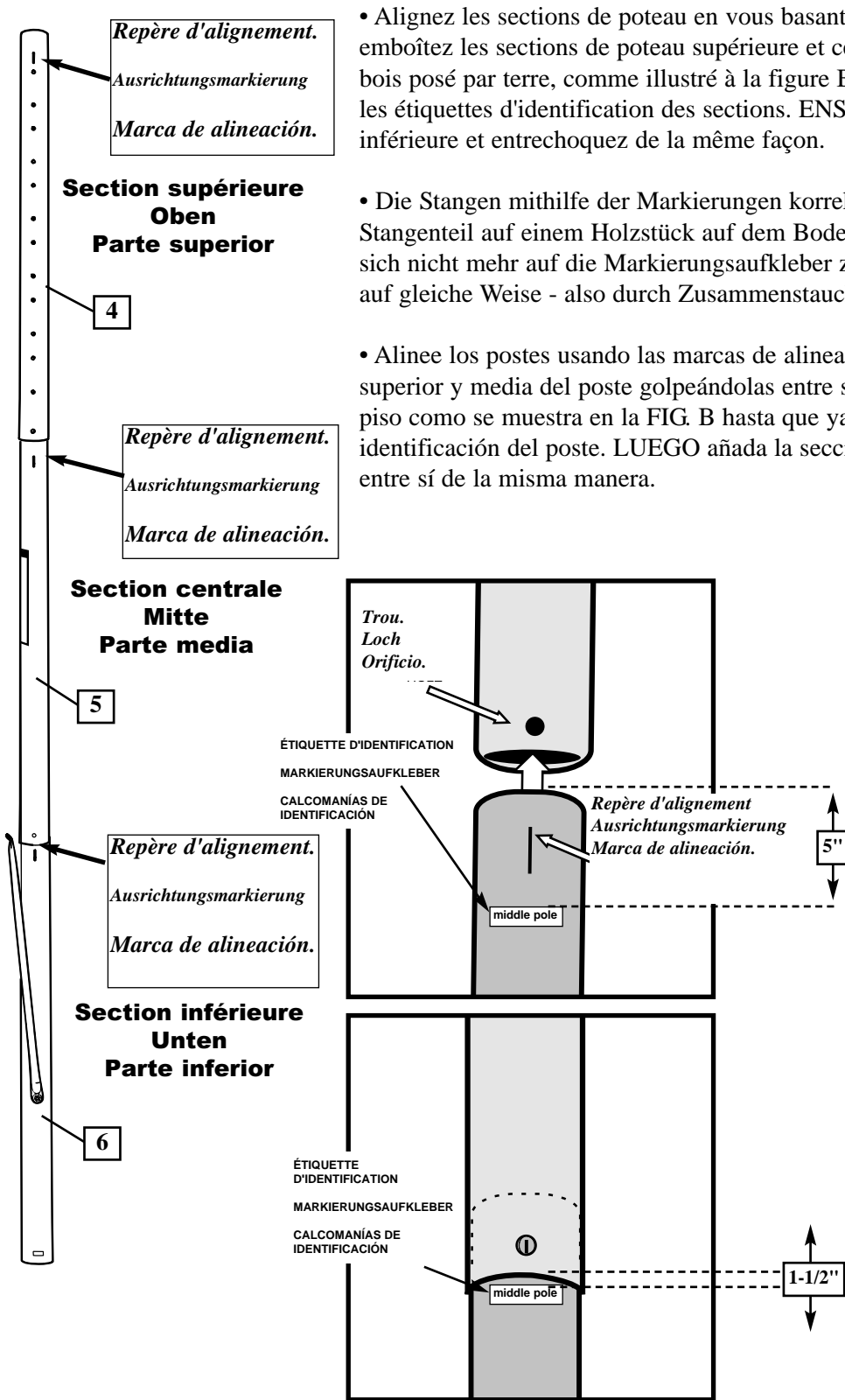
UNE FOIS LES SECTIONS DE POTEAU ENTRECHOQUÉES ENSEMBLE, ELLES NE PEUVENT PLUS ÊTRE DÉMONTÉES.

WICHTIG!

NACH DEM ZUSAMMENSTAUCHEN DER STANGENTEILE KÖNNEN DIESE NICHT MEHR VONEINANDER GETRENNT WERDEN.

¡IMPORTANTE!

UNA VEZ QUE LAS SECCIONES DEL POSTE SE HAN EMBRAGADO ENTRE SÍ, YA NO SE PODRÁN SEPARAR



• Alignez les sections de poteau en vous basant sur les repères d'alignement. Tout d'abord, emboîtez les sections de poteau supérieure et centrale en les entrechoquant sur un bout de bois posé par terre, comme illustré à la figure B, jusqu'à ce qu'elles ne bougent plus vers les étiquettes d'identification des sections. ENSUITE, ajoutez la section de poteau inférieure et entrechoquez de la même façon.

• Die Stangen mithilfe der Markierungen korrekt ausrichten. Zuerst das obere und mittlere Stangenteil auf einem Holzstück auf dem Boden zusammenstauchen (siehe Abb. B), bis sie sich nicht mehr auf die Markierungsaufkleber zubewegen. DANN das untere Stangenteil auf gleiche Weise - also durch Zusammenstauchen - anbringen.

• Alinee los postes usando las marcas de alineación. Primero embrague las secciones superior y media del poste golpeándolas entre sí sobre un trozo de madera colocado en el piso como se muestra en la FIG. B hasta que ya no se muevan hacia las calcomanías de identificación del poste. LUEGO añada la sección inferior del poste y golpee las secciones entre sí de la misma manera.

**ATTENTION !
VORSICHT!
¡PRECAUCIÓN!**

L'ÉTIQUETTE D'IDENTIFICATION SE SITUE À 12,7 (5") CM DE L'EXTRÉMITÉ DU POTEAU. LORSQU'ELLES SONT CORRECTEMENT EMBÔTÉES LES UNES DANS LES AUTRES, LES SECTIONS DE POTEAU DOIVENT SE CHEVAUCHER DE 9 CM (3 1/2") MINIMUM, EN LAISSANT 3,8 CM (1 1/2") ENTRE LA SECTION QUI CHEVAUCHE ET L'ÉTIQUETTE D'IDENTIFICATION.

DER MARKIERUNGS-AUFKLEBER BEFINDET SICH CA. 12,7 CM (5") VOM STANGENENDE. WENN DIE STANGENTEILE RICHTIG ZUSAMMENGESTAUCHT WURDEN, SOLLTEN SIE UM MINDESTENS 9 CM (3 1/2") ÜBERLAPPEN. DER ABSTAND ZWISCHEN DEM ÜBERLAPPENDEN STANGENTEIL UND DEM MARKIERUNGS-AUFKLEBER SOLLTE ALSO 3,8 CM (1 1/2") BETRAGEN.

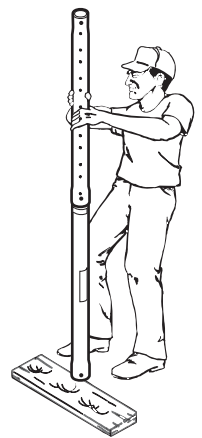
LA CALCOMANÍA DE IDENTIFICACIÓN ESTÁ COLOCADA A 12,7 CM (5") DEL EXTREMO DEL POSTE. CUANDO ESTÁN ADECUADAMENTE EMBRAGADAS, LAS SECCIONES DEL POSTE DEBEN TENER UN TRASLAPÉ MÍNIMO DE 9 CM (3 1/2"), DEJANDO 3,8 CM (1 1/2") ENTRE EL POSTE TRASLAPADO Y LA CALCOMANÍA DE IDENTIFICACIÓN.

*figure B
siehe Abb. B
FIG. B*

*Bout de bois
(non fourni)*

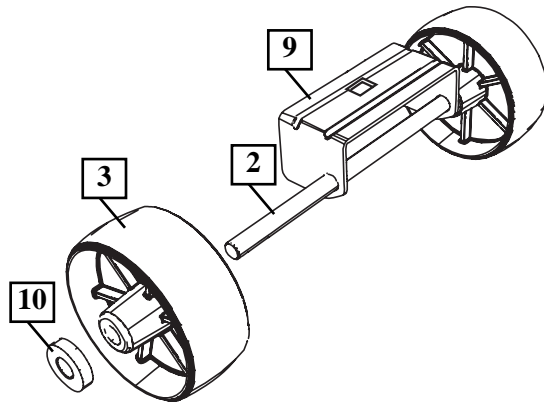
*Holzstück
(nicht im Lieferumfang
enthalten)*

*Trozo de madera
(No se suministra)*

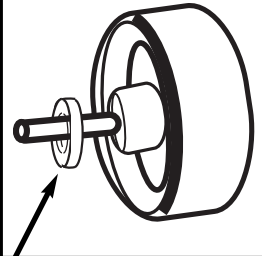


3.

- Enfilez l'axe des roues (2) dans le chariot à roues (9) et installez les roues (3) sur l'axe (2) avec les entretoises (10), comme illustré.
- Die Radachse (2) wie gezeigt durch das Radlaufwerk (9) schieben und die Räder (3) mit Abstandsstücken (10) auf die Radachse (2) schieben.
- Instale el eje de la rueda (2) a través del carro portamuela (9) e instale las ruedas (3) en el eje de la rueda (2) con los espaciadores (10) como se muestra.



IMPORTANT! ¡IMPORTANTE! WICHTIG!



L'ENTRETOISE (10)
TIENDRA SANS SERRER
JUSQU'À
SA FIXATION DANS LE
TROU DU SOCLE.

DAS ABSTANDSSTÜCK (10)
IST LOCKER, BIS
ES IN DEN HOHLRAUM DES
SOCKELS EINGEPASST
WIRD.

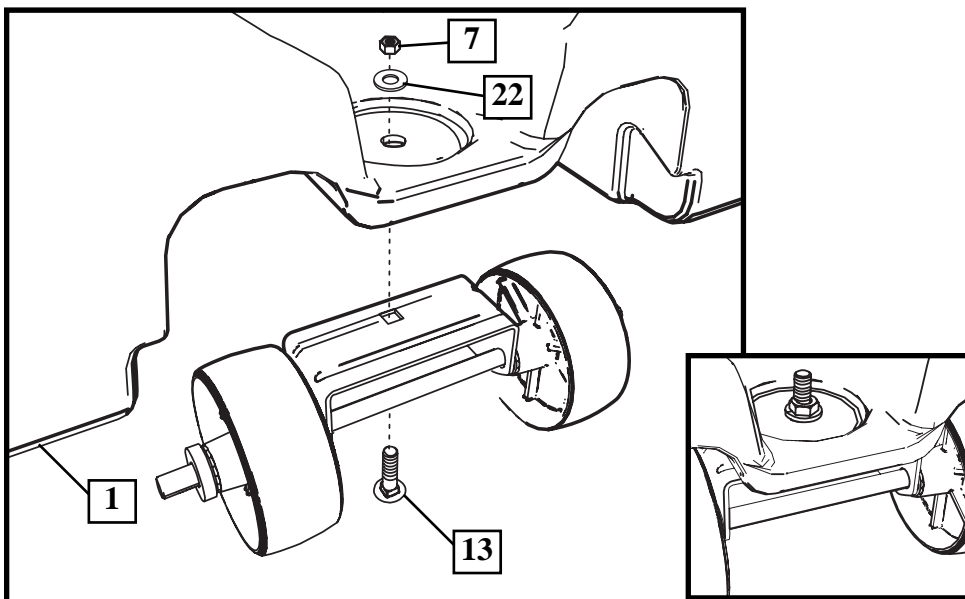
EL ESPACIADOR (10) SE
AJUSTARÁ
HOLGADAMENTE HASTA
QUE SE FIJE EN LA
CAVIDAD DE LA BASE

4.

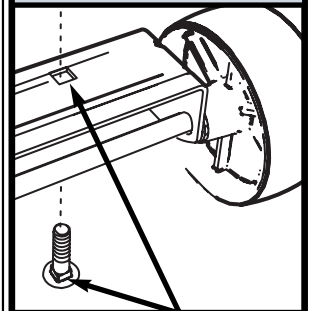
Attachez le chariot des roues au socle (1) avec le boulon (13), la rondelle (22) et l'écrou (7), comme illustré. **SERRER AVEC LES DOIGTS - AUCUN OUTIL REQUIS.** L'ensemble sera définitivement serré à l'étape suivante.

Den Rädergruppe wie gezeigt mit Schraube (13), Unterlegscheibe (22) und Mutter (7) am Sockel (1) befestigen. **MIT DEN FINGERN ANZIEHEN - KEIN WERKZEUG ERFORDERLICH.** Die Baugruppe wird im nächsten Schritt fest angezogen.

Conecte el conjunto del carro portamuela a la base (1) con el perno (13), la arandela (22) y la tuerca (7) como se muestra. **APRIETE CON LOS DEDOS, NO SE REQUIEREN HERRAMIENTAS.** El conjunto se apretará completamente en el siguiente paso.



IMPORTANT! ¡IMPORTANTE! WICHTIG!



VEILLEZ À CE QUE LA
PARTIE CARRÉE DU
BOULON DU CHARIOT SOIT
BIEN CALÉE DANS LA
DÉCOUPE CARRÉE DU
SUPPORT DES ROUES.

SICHERSTELLEN, DASS
DER VIERECKIGE TEIL DER
SCHLOSSSCHRAUBE
RICHTIG IN DIE VIERECKIGE
AUSSPARUNG DER
RADHALTERUNG
EINGEPASST IST.

CONECTE EL CONJUNTO
DEL CARRO PORTAMUELA
A LA BASE (1) CON EL
PERNO (13), LA ARANDELA
(22) Y LA TUERCA (7) COMO
SE MUESTRA. APRIETE CON
LOS DEDOS, NO SE
REQUIEREN
HERRAMIENTAS. EL
CONJUNTO SE APRETARÁ
COMPLETAMENTE EN EL
SIGUIENTE PASO.

5. Attachez l'ensemble du poteau au réservoir, comme illustré. Fixez le poteau sur le réservoir et le support des roues en tournant le poteau dans le sens des aiguilles d'une montre, comme illustré. Serrez le poteau à fond et tournez-le encore jusqu'à ce que les contrefiches soient correctement alignées, comme illustré à la figure B.

Den Stangenaufbau wie gezeigt an der Tankbaugruppe befestigen. Den Stangenaufbau wie gezeigt durch Rechtsdrehen am Tank und an der Radhalterung befestigen. Die Stange fest anziehen und weiter drehen, bis die Streben wie in Abb. B dargestellt korrekt ausgerichtet sind.

Instale el conjunto del poste en el conjunto del tanque como se muestra. Asegure el conjunto del poste en el tanque y en el soporte de la rueda girando hacia la derecha el conjunto del poste. Apriete completamente el poste y siga girándolo hasta que los puntales estén correctamente alineados como se muestra en la FIG B.



AVERTISSEMENT !
WARNING!
¡ADVERTENCIA!



Il est obligatoire de s'y prendre à deux pour cette procédure. SUIVEZ CET AVERTISSEMENT SOUS PEINE D'ENCOURIR DES BLESSURES GRAVES ET/OU DES DÉGÂTS MATÉRIELS.

Dieses Schritt muss von zwei Personen ausgeführt werden. EIN MISSACHTEN DIESER WARNUNG KANN ZU SCHWEREN VERLETZUNGEN UND/ODER SACHSCHÄDEN FÜHREN.

Se requieren dos personas para realizar este procedimiento. SI NO SE OBSERVA ESTA ADVERTENCIA SE PODRÍA OCASIONAR UNA lesión GRAVE Y/O DAÑOS A LA PROPIEDAD.

IMPORTANT!
WICHTIG!
¡IMPORTANTE!

Il faut donner environ 7 tours complets au poteau pour le serrer correctement. Une fois le poteau bien serré, le support des roues sera contre le socle. Faites-vous aider par quelqu'un qui maintiendra le socle en place durant cette étape.

Die Stange muss zur sicheren Befestigung ca. 7 mal gedreht werden. Wenn sie richtig befestigt ist, liegt die Radhalterung fest am Sockel an. Bei diesem Schritt muss der Sockel von einer zweiten Person festgehalten werden.

El poste se debe girar aproximadamente 7 vueltas completas para apretarlo adecuadamente. Cuando esté adecuadamente apretado, el soporte de la rueda quedará ajustado contra la base. Se recomienda que en este paso un asistente mantenga la base fija en su lugar.

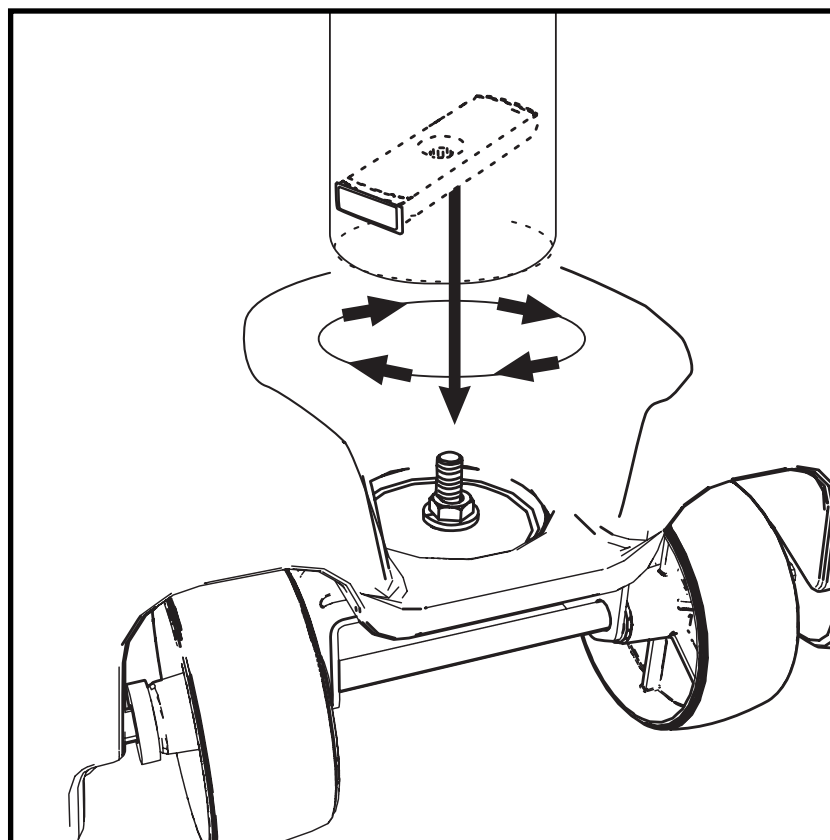
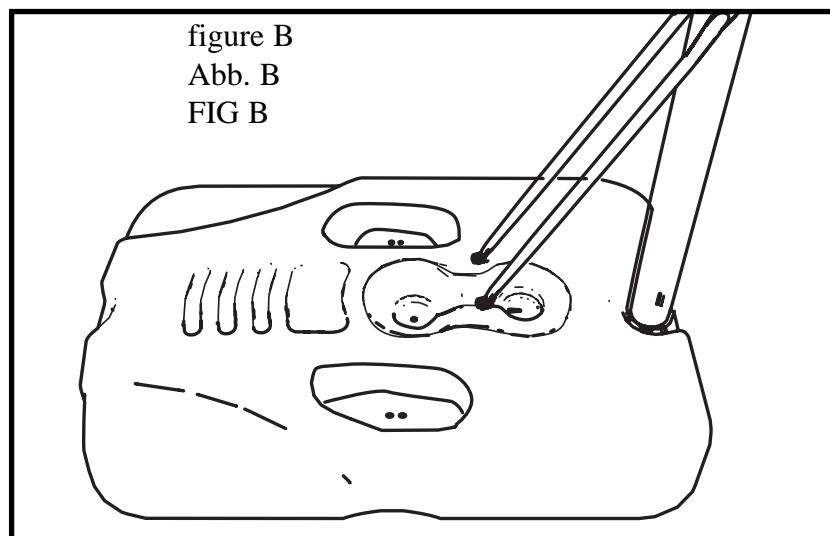


figure B
Abb. B
FIG B



6.

- Tournez les contrefiches vers le bas et courbez les contrefiches vers l'extérieur pour les aligner sur les trous du socle, comme illustré. Fixez les extrémités libres des contrefiches sur le réservoir avec le boulon ordinaire (16), la rondelle (22) et le bouton (17), comme illustré. Faites de même de l'autre côté.
- Die Streben wie gezeigt nach unten klappen und nach außen biegen, damit sie mit den Löchern am Sockel zur Deckung kommen. Die unbefestigten Enden der Sockelverstreben mit der Schlossschraube (16), der Unterlegscheibe (22) und dem Drehknopf (17) wie gezeigt am Tank befestigen. Das gleiche Verfahren auf der anderen Seite durchführen.

Gire los puntales hacia abajo y dóblelos hacia fuera para alinearlos con los orificios de la base como se muestra. Asegure los extremos libres de los puntales del tanque el en tanque con el perno cabeza de carro (16), arandela (22) y perilla (17) como se muestra. Repita el procedimiento en el otro lado.



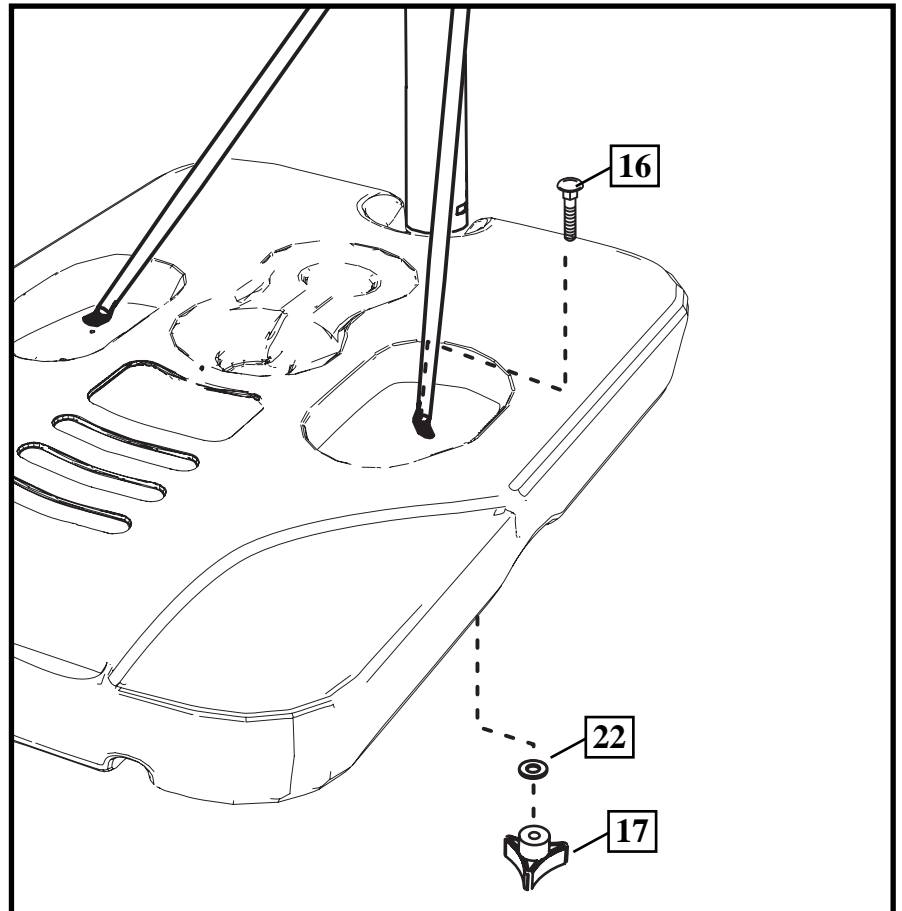
AVERTISSEMENT !
WARNUNG!
¡ADVERTENCIA!



LES BOUTONS DOIVENT ÊTRE SERRÉS À FOND ET IL FAUT VÉRIFIER PÉRIODIQUEMENT LEUR SERRAGE.

DIE DREHKNÖPFE MÜSSEN FEST ANGEZOGEN WERDEN UND ES MUSS REGELMÄSSIG SICHERGESTELLT WERDEN, DASS SIE SICH NICHT GELOCKERT HABEN.

LAS PERILLAS DEBEN ESTAR COMPLETAMENTE APRETADAS Y SE DEBE REVISAR PERIÓDICAMENTE SU AJUSTE.

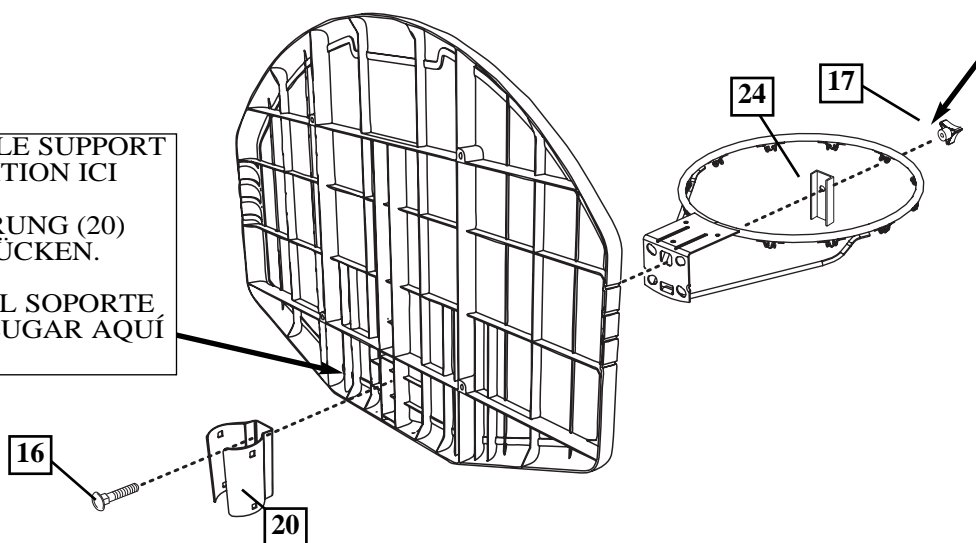




7. Vous devrez appuyer légèrement sur le support de poteau pour l'insérer dans les crans du panneau. Veillez à l'enfoncer complètement en position. Attachez le cerceau au panneau et le support de poteau (20) avec le bouton (17), le support de renforcement (24) et le boulon ordinaire (16), comme illustré. Serrez le bouton à fond.

Die Stangenhalterung muss mit leichtem Druck in die Korbwandriffelung eingepresst werden. Die Halterung fest andrücken. Den Korbrand wie gezeigt mit dem Drehknopf (17), der Verstärkungshalterung (24) und der Schlossschraube (16) an der Korbwand und der Stangenhalterung (20) befestigen. Den Drehknopf fest anziehen.

Será necesario que el soporte del poste se presione ligeramente contra los rebordes del respaldo. Asegúrese de presionarlo completamente en su lugar. Instale el borde en el respaldo y el soporte del poste (20) con la perilla (17), el soporte de refuerzo (24) y el perno cabeza de carro (16) como se muestra. Apriete completamente la perilla.

ENFONCEZ LE SUPPORT (20) EN POSITION ICI
 DIE HALTERUNG (20) HIER ANDRÜCKEN.
 PRESIONE EL SOPORTE (20) EN SU LUGAR AQUÍ

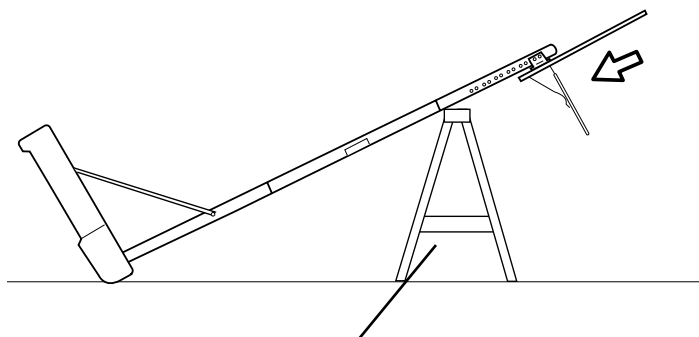


 <p>AVERTISSEMENT ! WARNING! ¡ADVERTENCIA!</p>

<p>LE BOUTON DOIT ÊTRE SERRÉ À FOND ET SON SERRAGE VÉRIFIÉ AVANT CHAQUE UTILISATION.</p> <p>DER DREHKNOPF MUSS FEST ANGEZOGEN WERDEN UND ES MUSS VOR JEDEM GEBRAUCH SICHERGESTELLT WERDEN, DASS ER SICH NICHT GELOCKERT HAT.</p> <p>LA PERILLA DEBE ESTAR APRETADA COMPLETAMENTE Y SE DEBE VERIFICAR SU AJUSTE ANTES DE CADA USO.</p>

Basculez l'ensemble avec précaution vers l'avant et glissez le panneau sur le poteau, comme illustré.

Die Vorrichtung vorsichtig nach vorne kippen und die Korbwandbaugruppe wie gezeigt auf die Stange schieben.

Incline cuidadosamente la unidad hacia adelante y deslice el conjunto del respaldo en el poste como se muestra.



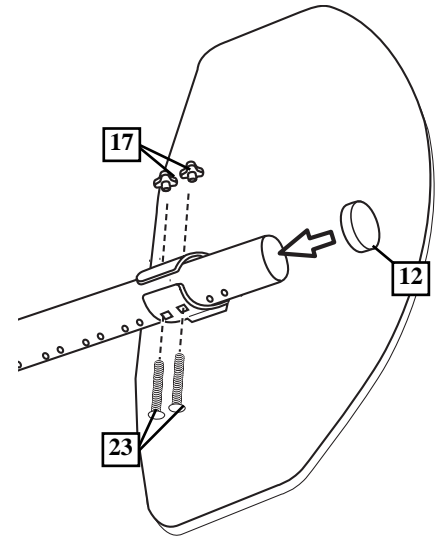
**CHEVALET DE SCIAGE OU TABLE
 SÄGEBOCK ODER STÜTZTISCH
 CABALLETE O MESA DE APOYO**

8.

Attachez le panneau au poteau avec les boulons ordinaires (23) et les boutons (17), comme illustré. Placez le capuchon (12) sur le poteau, comme illustré.

Den Korbwandaufbau wie gezeigt mit den Schlossschrauben (23) und Drehknöpfen (17) an der Stange befestigen. Die Stangenkappe (12) wie gezeigt aufsetzen.

Instale el conjunto del tablero en el poste con los pernos cabeza de carro (23) y las perillas (17) como se muestra. Instale la tapa del poste (12) como se muestra.



9.

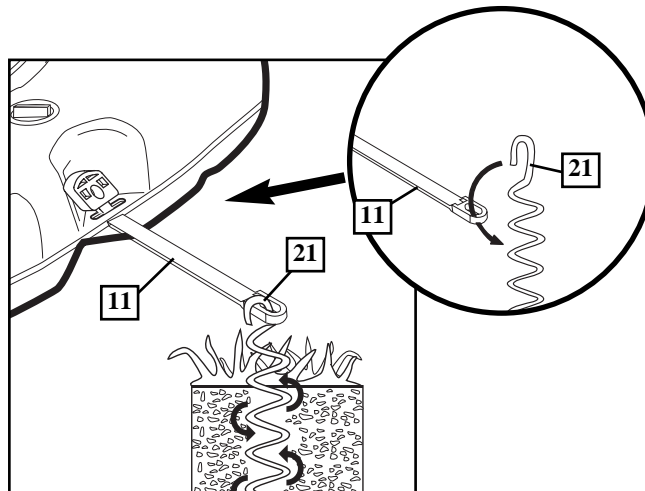
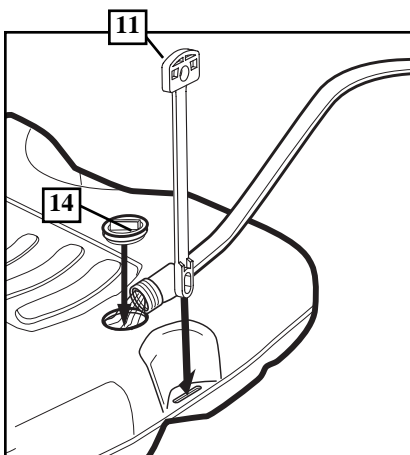
Placez l'ensemble à l'emplacement de votre choix. Remplissez le réservoir d'eau (98,4 litres / 26 gallons) ou de sable (163 kg / 360 lb.) et fermez avec le bouchon (14).

Enfilez la sangle en T (11) dans la fente à l'arrière du socle, comme illustré. Fixez l'ensemble au sol en enfonçant le piquet de fixation au sol (21) dans la terre et en accrochant la sangle en T (11) au piquet (21).

Die zusammengebaute Vorrichtung an den gewünschten Aufstellungsort bringen. Den Tank mit Wasser (98,4 l [26 gal]) oder Sand (163 kg [360 lbs]) füllen und den Tankdeckel (14) aufsnappen lassen.

Den T-Riemen (11) wie gezeigt durch den Schlitz an der Rückseite des Sockels schieben. Die Einheit durch Hineindreuen des Bodenverankerungspfahls (21) in den Boden und Einhaken des T-Riemens (11) in den Bodenverankerungspfahl (21) sichern.

Coloque la unidad montada en la ubicación deseada. Llène el tanque con agua (98.4 litros/26 galones) o con arena (163 kg/360 libras) y conecte a presión la tapa del tanque (14) en su lugar. Introduzca la correa en T (11) a través de la ranura que se encuentra en la parte posterior de la base, como se muestra. Fije la unidad introduciendo la estaca de amarre (21) en el piso con un movimiento rotatorio y enganchando la correa en T (11) en la estaca de amarre (21).



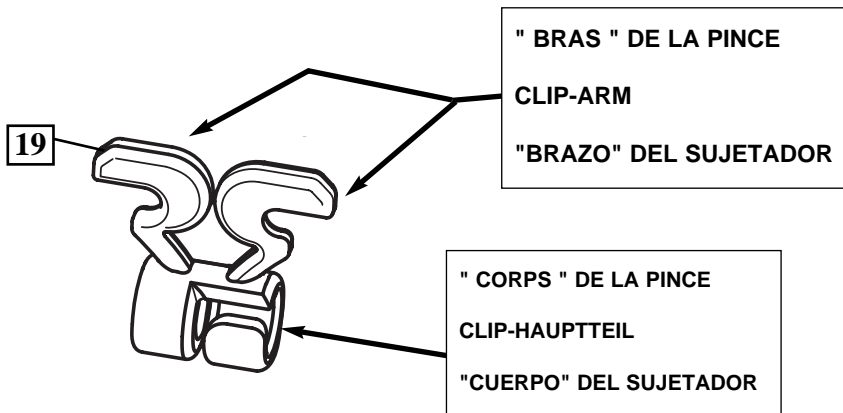
ATTENTION !
VORSICHT!
¡PRECAUCIÓN!

AJOUTEZ 7,6 LITRES (2 GALLONS) D'ANTIGEL NON TOXIQUE EN PRÉVISION DE TEMPÉRATURES EN DESSOUS DE 0.

DEN TANK MIT 7,6 L (2 GAL) EINES UNGIFTIGEN GEFRIERSCHUTZMITTELS FÜLLEN, UM IN KLIMAZONEN MIT FROSTTEMPERATUREN EIN GEFRIEREN ZU VERHINDERN.

AÑADA 7.6 LITROS (DOS GALONES) DE ANTICONGELANTE NO TÓXICO SI EL CLIMA ALCANZA TEMPERATURAS DE CONGELAMIENTO.

- 10.** Attachez les pinces de filet au cerceau, comme illustré.
 Die Netzhalteklammern wie gezeigt am Korbrand anbringen.
 Instale los sujetadores de la red en el borde, como se muestra.

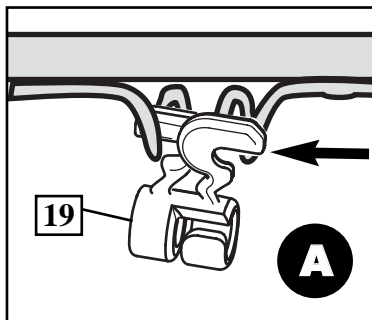


**AVERTISSEMENT !
 WARNUNG!
 ¡ADVERTENCIA!**

L'UTILISATION DE CE PRODUIT SANS L'INSTALLATION CORRECTE DES SMART CLIPS® OU EN L'ABSENCE DE CERTAINES SMART CLIPS® EXPOSE LES JOUEURS À DES BLESSURES. VEILLEZ À SUIVRE SCRUPULEUSEMENT CES INSTRUCTIONS.

EIN GEBRAUCH DIESES PRODUKTS OHNE ORDNUNGSGEMÄSS ANGEBRACHTE SMART CLIPS® BZW. MIT FEHLENDEN SMART CLIPS® KANN VERLETZUNGEN NACH SICH ZIEHEN. DIE ANLEITUNG GENAU BEFOLGEN.

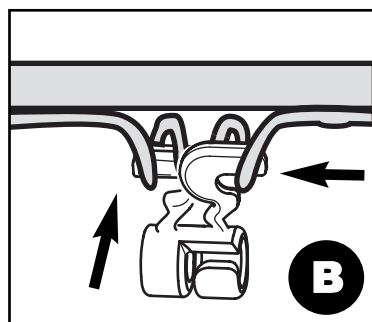
EL USO DE ESTE PRODUCTO SIN LA INSTALACIÓN ADECUADA DE LOS SUJETADORES SMART CLIP®, O LA FALTA DE ELLOS PUEDE DAR COMO RESULTADO DAÑOS CORPORALES. ASEGÚRESE DE SEGUIR CUIDADOSAMENTE LAS INSTRUCCIONES.



Insérez un " bras " de la pince dans l'éperon, comme illustré. Tournez légèrement le corps de la pince de sorte que le second bras glisse par-dessus le premier, comme illustré. Poussez dans le sens des flèches.

Einen Arm des Clips wie gezeigt in die Spirale einsetzen. Den Hauptteil des Clips etwas drehen, sodass der zweite Arm wie gezeigt oben über den ersten Arm geschoben werden kann. In die durch die Pfeile angezeigte Richtung schieben.

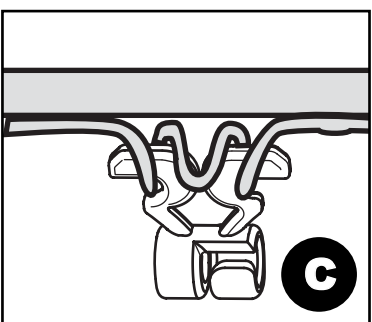
Introduzca un "brazo" del sujetador en el accionador como se muestra. Tuerza ligeramente el "cuerpo" del sujetador de manera que el segundo "brazo" se deslice sobre el primer "brazo" como se muestra. Empuje hacia la dirección que indican las flechas.



Rétractez le second " bras " dans l'éperon, comme illustré.

In die durch die Pfeile angezeigte Richtung schieben.

Empuje el segundo "brazo" hacia atrás y hacia el accionador como se muestra.



Tournez légèrement le corps de la pince une nouvelle fois pour en étaler les bras. Les bras doivent être à plat et se toucher bord à bord, comme illustré, sans se chevaucher.

Den Hauptteil des Clips noch einmal leicht drehen, um die Arme des Clips zu spreizen.

Die Arme des Clips müssen flach liegen und sich wie gezeigt an den Kanten berühren, ohne einander zu überlappen.

Otra vez tuerza ligeramente el "cuerpo" del sujetador para abrir los "brazos" del sujetador.

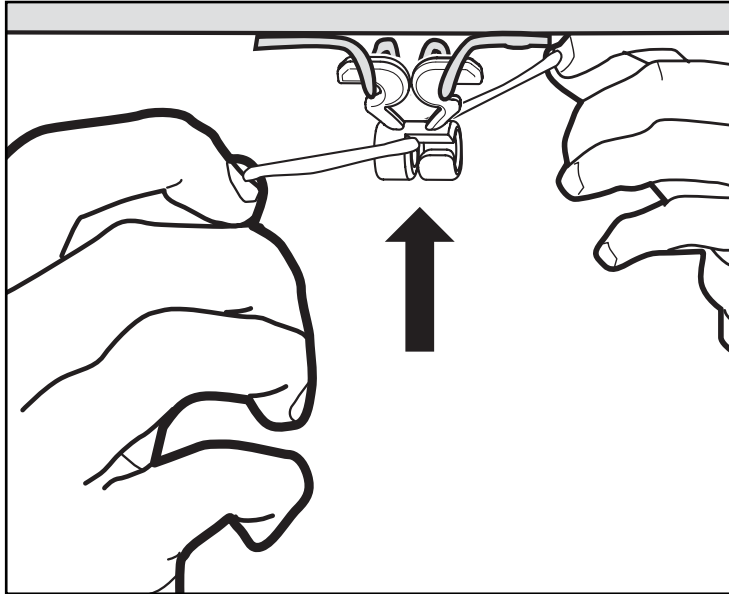
Los "brazos" del sujetador deben quedar planos y tocándose de borde a borde, sin traslaparse, como se muestra.

11.

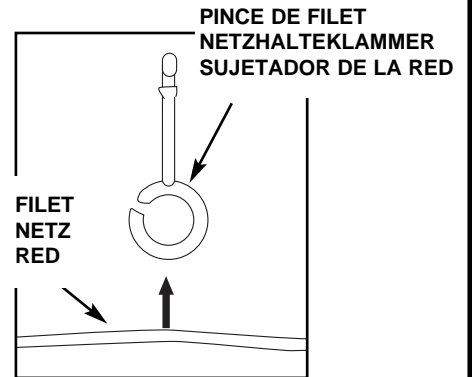
Installez le filet.

Das Netz anbringen

Instale la red.



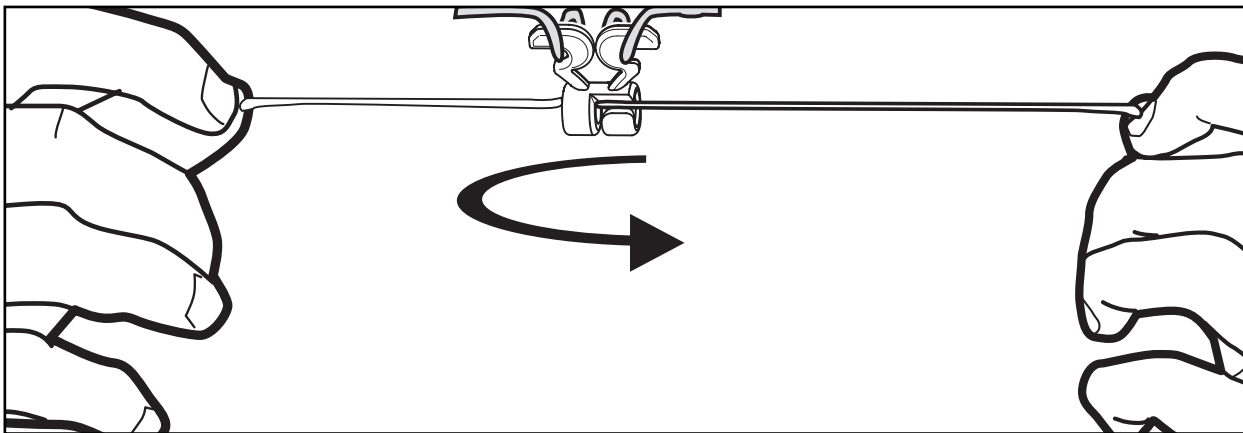
VUE DE CÔTÉ
SEITENANSICHT
VISTA LATERAL



Insérez le filet dans la base de la pince, comme illustré.

Das Netz wie gezeigt unten in den Clip stecken.

Introduzca la red en la parte inferior del sujetador como se muestra.

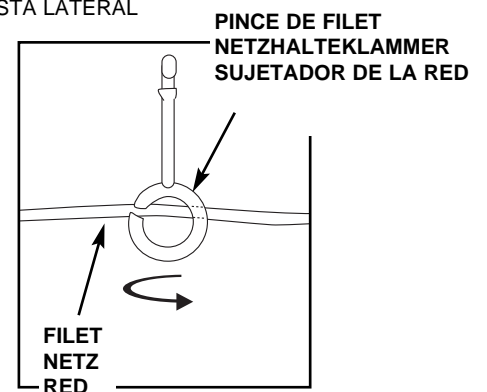


Tournez le filet jusqu'à ce qu'il s'enclenche en position.
Le filet doit être centré dans la pince.

Das Netz drehen, bis es einschnappt.
Das Netz muss im Clip zentriert werden.

Tuerza la red hasta que quede conectada en su posición.
La red debe quedar centrada a través del sujetador.

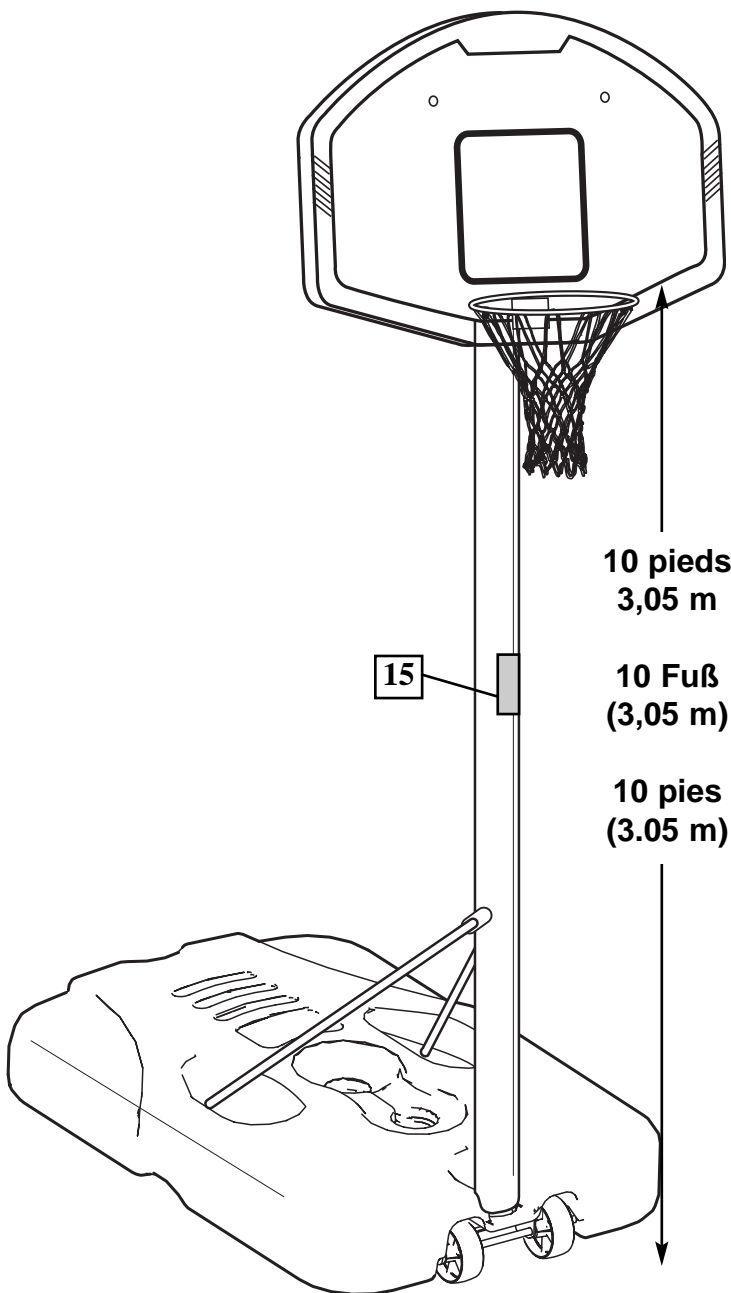
VUE DE CÔTÉ
SEITENANSICHT
VISTA LATERAL



12. Collez l'étiquette de hauteur et de déplacement (15) sur l'avant du poteau, comme illustré. La hauteur réglementaire du cerceau est de 3,05 m (10 pieds).

Den Höhen- und Transportaufkleber (15) wie gezeigt an der Vorderseite der Stange anbringen. Der Korbrand wird den offiziellen Regeln gemäß in einer Höhe von 3,05 m (10 Fuß) angebracht.

Aplique la etiqueta de ajuste de la altura y de movimiento (15) en la parte frontal del poste, como se muestra. La altura reglamentaria del borde es de 3.05 m (10 pies).



ATTENTION ! VORSICHT! ¡PRECAUCIÓN!	
HEIGHT ADJUSTMENT Rest unit on support table. Remove adjustment knobs (A) and carriage bolts (B) to extend or retract backboard and rim. Height adjustment from 7' 1/2" to 10'. WARNING Backboard may rotate during height adjustment. WARNING Do not adjust height of system in upright position. System must be in down position to adjust.	
MOVING SYSTEM 1. While holding pole, rotate basketball system forward until wheels engage with ground. 2. Move basketball system to desired location. 3. Carefully rotate basketball system upright. 4. Reattach ground restraint and check system for stability.	
200439 11/00	

L'ÉTIQUETTE DE HAUTEUR ET DE DÉPLACEMENT NE DOIT PAS MASQUER L'ÉTIQUETTE D'AVERTISSEMENT APOSÉE EN USINE.

DER HÖHEN- UND TRANSPORTAUFKLEBER DARF DAS WERKSEITIG ANGEBRACHTE WARNSCHILD NICHT ÜBERDECKEN.

LA ETIQUETA DE AJUSTE DE LA ALTURA Y DE MOVIMIENTO NO DEBE OBSTRUIR LA ETIQUETA DE ADVERTENCIA DE LA FÁBRICA.

Free Manuals Download Website

<http://myh66.com>

<http://usermanuals.us>

<http://www.somanuals.com>

<http://www.4manuals.cc>

<http://www.manual-lib.com>

<http://www.404manual.com>

<http://www.luxmanual.com>

<http://aubethermostatmanual.com>

Golf course search by state

<http://golfingnear.com>

Email search by domain

<http://emailbydomain.com>

Auto manuals search

<http://auto.somanuals.com>

TV manuals search

<http://tv.somanuals.com>