

## Transducer Switch

530521-2\_C

### Thank You

Thank you for choosing Humminbird®, America's #1 name in fishfinders. Humminbird® has built its reputation by designing and manufacturing top-quality, thoroughly reliable marine equipment. Genuine Humminbird® accessories offer the opportunity to upgrade and expand the capabilities of your Humminbird® product.

Your Humminbird® accessory is designed for trouble-free use in even the harshest marine environment. In the unlikely event that your Humminbird® accessory does require repairs, we offer an exclusive Service Policy - free of charge during the first year after purchase, and available at a reasonable rate after the one-year period. For complete details, see the Warranty section included in this manual.

Contact our Customer Resource Center at **1-800-633-1468** or visit our web site at **www.humminbird.com**.

### Installation Overview

Following are instructions for the installation of this accessory. Before you start installation, we encourage you to read these instructions carefully in order to get the full benefit from your Humminbird® accessory.

If you find that any items are missing from your installation kit, call our Customer Resource Center at **1-800-633-1468** or visit our web site at **www.humminbird.com**.

The Transducer Switch comes with all the necessary hardware to allow you to connect your control head to two transducers. The transducers may be the same type of transducer with different mounting locations, or you can maximize your unit's performance by using two different transducers. The switch is intended for installation on the console, and will work well on almost any boat.

In addition to the hardware supplied with your Transducer Switch, you will need a hand drill with various size bits, a Phillips screwdriver, and an adjustable wrench.

Before installing the Transducer Switch, gather all the parts you will need, and make sure that the planned location of the Transducer Switch will allow you to connect the two transducers to your control head.

### Installation

Perform the procedures in the following sections to install the Transducer Switch on your boat.

#### 1. Locating the Transducer Switch Mounting Position

To determine where to mount the Transducer Switch, make sure that it will be positioned near your control head on the console of the boat, within reach of the cables for both transducers.

After you have determined the best mounting location for your Transducer Switch, proceed with the following instructions.

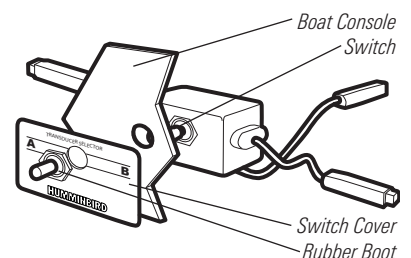
#### 2. Attaching the Transducer Switch

1. Remove the switch plate from the switch assembly.
2. Using the switch plate as a template, mark the location of the hole with a pencil or punch.
3. Drill a 1/2" mounting hole at the desired location.
4. Test the fit of the Transducer Switch in the mounting location.
5. Remove the paper from the back of the switch cover to expose the adhesive backing and press the switch plate onto the mounting location.

Transducer Switch With Cover



Switch Assembly



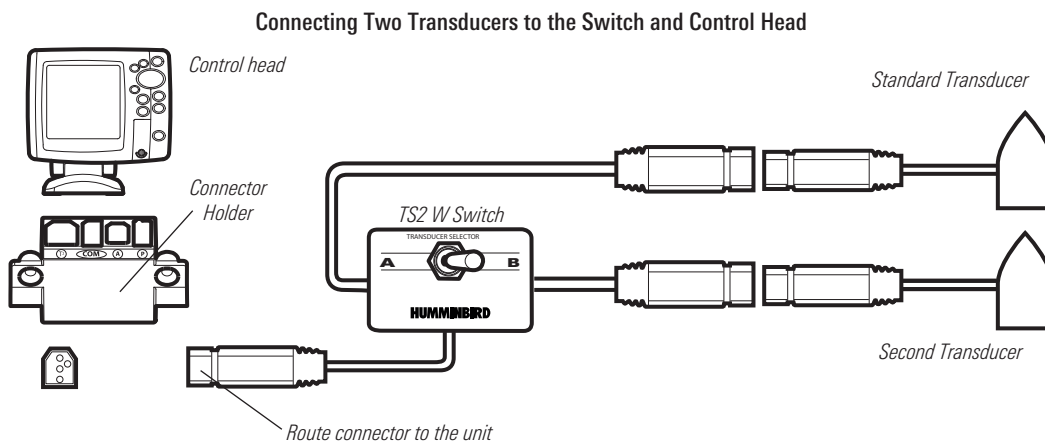
## Transducer Switch

6. Insert the threaded shaft of the switch through the hole and hold it in place with one hand, making sure that the pivot of the switch is aligned with the letters A and B.
7. Push the rubber boot over the top of the switch and tighten onto the shaft.
8. Fully tighten the nut using an adjustable wrench.

**CAUTION:** Use care when tightening the nut to avoid damaging the rubber boot.

### 3. Connecting the Transducers to the Switch and the Control Head

1. Connect the two transducers to the Transducer Switch, referring to the illustration for guidance.



2. Remove the connector holder from your control head and insert the cable connector from the Transducer Switch into the connector holder.

**CAUTION:** The slot for the connector is keyed to prevent reversed installation, so do not force the connector into the holder. See the Installation section of your operations manual for additional information.

### 4. Connecting the Cable

**CAUTION!** Do not cut or shorten the transducer cables, and try not to damage the cable insulation. Route the cable as far as possible from any VHF radio antenna cables or tachometer cables to reduce the possibility of interference. If the cable is too short, extension cables are available to extend the transducer cable up to a total of 50'. For assistance, contact the Customer Resource Center at [www.humminbird.com](http://www.humminbird.com) or call 1-800-633-1468 for more information.

1. Insert the Transducer Switch cable connector into the appropriate slots of the connector holder. The cable connectors are labeled, and there are corresponding labels on the connector holder on the rear of your control head. The slots are keyed to prevent reversed installation, so be careful not to force the connector into the holder.

Your control head is now ready for operation.

## Transducer Switch

### Maintenance

If your boat remains in the water for long periods of time, algae and other marine growth can reduce the effectiveness of the transducer. Periodically clean the face of the transducer with hot water.

If your boat remains out of the water for a long period of time, it may take some time to wet the transducer after it is returned to the water. Small air bubbles can cling to the surface of the transducer and interfere with proper operation. These bubbles will dissipate with time, or you may wipe the face of the transducer with your fingers after the transducer is in the water.

### 1-Year Limited Warranty

We warrant the original retail purchaser that products made by Humminbird® have been manufactured free from defects in materials and workmanship. This warranty is effective for one year from the date of original retail purchase. Humminbird® products found to be defective and covered by this warranty will be replaced or repaired free of charge at Humminbird® option and returned to the customer freight prepaid. Humminbird® sole responsibility under this warranty is limited to the repair or replacement of a product that has been deemed defective by Humminbird®. Humminbird® is not responsible for charges connected with the removal of such product or reinstallation of replaced or repaired parts.

This warranty does not apply to a product that has been:

- Improperly installed;
- Used in an installation other than that recommended in the product installation and operation instructions;
- Damaged or has failed because of an accident or abnormal operation;
- Repaired or modified by entities other than Humminbird®.

Please retain your original receipt as a proof of the purchase date. This will be required for in-warranty service.

THIS WARRANTY IS EXPRESSLY IN LIEU OF ANY OTHER WARRANTIES, OBLIGATIONS OR LIABILITIES ON THE PART OF HUMMINBIRD® AND WILL BE THE CUSTOMER'S EXCLUSIVE REMEDY, EXCEPT FOR ANY APPLICABLE IMPLIED WARRANTIES UNDER STATE LAW WHICH ARE HEREBY LIMITED IN DURATION TO ONE YEAR FROM THE DATE OF ORIGINAL PURCHASE. IN NO EVENT WILL HUMMINBIRD® BE LIABLE FOR ANY INCIDENTAL OR CONSEQUENTIAL DAMAGES FOR BREACH OF ANY EXPRESS OR IMPLIED WARRANTY RELATING TO THE PRODUCTS.

Some states do not allow limitations on an implied warranty, or the exclusion of incidental or consequential damages, so the above exclusions may not apply to you. You may also have other rights, which vary from state to state.

### Humminbird® Service Policy

Even though you'll probably never need to take advantage of our incredible service policy, it's good to know that we back our products this confidently. We do it because you deserve the best. We will make every effort to repair your unit within three business days from the receipt of your unit at our factory. This does not include shipping time to and from our factory. Units received on Friday are typically shipped by the following Wednesday, units received Monday are typically shipped by Thursday, etc.

All repair work is performed by factory-trained technicians to meet exacting factory specifications. Factory-serviced units go through the same rigorous testing and quality control inspections as new production units.

After the original warranty period, a standard flat rate service charge will be assessed for each repair (physical damage and missing parts are not included). Any repairs made after the original warranty will be warranted for an additional 90 days after service has been performed by our factory technicians. You can contact our Customer Resource Center or visit our web site to verify the flat rate repair fee for your product (visit the Product Support section):

<http://www.humminbird.com>

We reserve the right to deem any product unserviceable when replacement parts are no longer available or impossible to obtain. This Service Policy is valid in the United States only. This applies only to Humminbird® products returned to our factory in Eufaula, Alabama. This Service Policy is subject to change without notice.

#### DOMESTIC (USA) CUSTOMERS:

#### PLEASE DO NOT RETURN THIS PRODUCT TO STORE FOR SERVICE

For all technical issues please call **1-800-633-1468**

or visit **www.humminbird.com**, click **SUPPORT**.

Please reference product serial number and model number when contacting Humminbird®.

## Transducer Switch

530521-2\_C

### **Returning Your Unit for Service**

Before sending your unit in for repair, please contact the factory, either by phone or by email, to obtain a Repair Authorization Number for your unit.

*NOTE: Please do not return your Humminbird® to the store for service.*

Please have your product model name and serial number available before calling the factory. If you contact the factory by e-mail, please include your product model name and serial number in the e-mail, and use Request for Repair Authorization Number for your e-mail subject header. You should include your Repair Authorization Number in all subsequent communications about your unit.

#### **For IN-WARRANTY service, complete the following steps:**

- Obtain a Repair Authorization Number from the Humminbird® Customer Resource Center.
- Tag product with your name, street address, phone number and your assigned Repair Authorization Number.
- Include a brief written description of the problem.
- Include a copy of your receipt (to show proof and date of purchase).
- Return product freight prepaid to Humminbird®, using an insured carrier with delivery confirmation.

#### **For OUT-OF-WARRANTY service, complete the following steps:**

- Obtain a Repair Authorization Number from the Humminbird® Customer Resource Center.
- Include payment in the form of credit card number and expiration date, money order or personal check. Please do not send cash.
- Tag product with your name, street address, phone number and your assigned Repair Authorization Number.
- Include a brief written description of the problem.
- Return product freight prepaid to Humminbird®, using an insured carrier with delivery confirmation.

### **Contact Humminbird®**

Contact the Humminbird® Customer Resource Center in any of the following ways:

#### **By Telephone**

(Monday - Friday 8:00 a.m. to 4:30 p.m. Central Standard Time):

1-800-633-1468

#### **By e-mail**

(typically we respond to your e-mail within three business days):

[cservice@johnsonoutdoors.com](mailto:cservice@johnsonoutdoors.com)

For direct shipping, our address is:

**Humminbird  
Service Department  
678 Humminbird Lane  
Eufaula, AL 36027 USA**

## Free Manuals Download Website

<http://myh66.com>

<http://usermanuals.us>

<http://www.somanuals.com>

<http://www.4manuals.cc>

<http://www.manual-lib.com>

<http://www.404manual.com>

<http://www.luxmanual.com>

<http://aubethermostatmanual.com>

Golf course search by state

<http://golfingnear.com>

Email search by domain

<http://emailbydomain.com>

Auto manuals search

<http://auto.somanuals.com>

TV manuals search

<http://tv.somanuals.com>