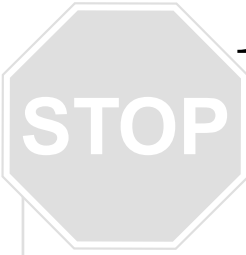


PARTS GUIDE

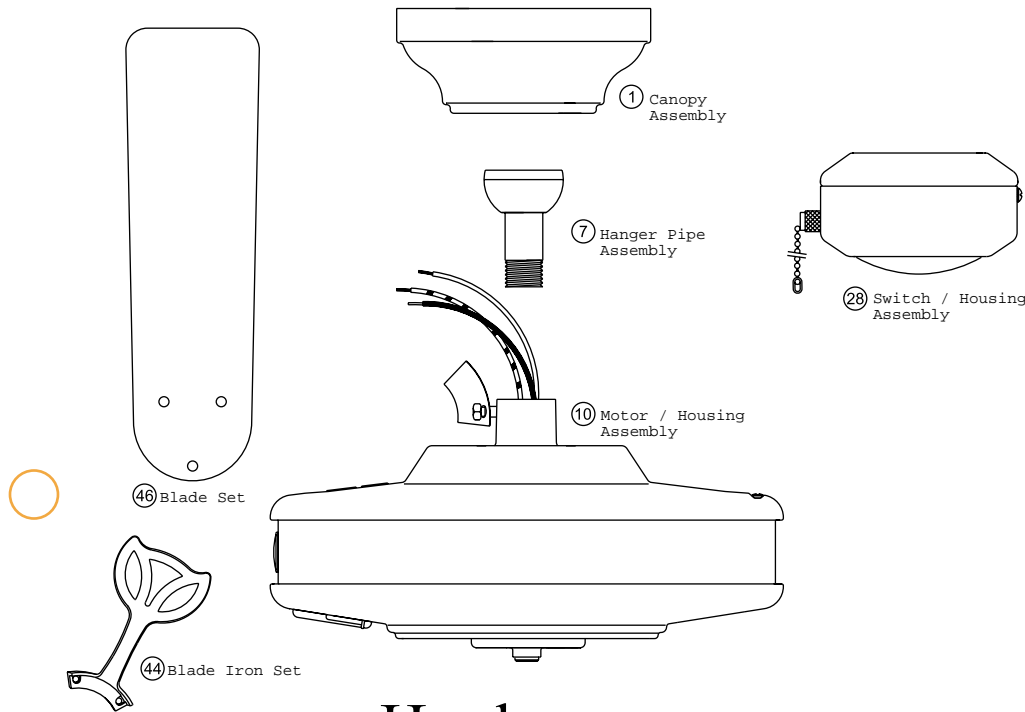


Using the Parts Guide below, check to make sure all parts are included in the box.
 If parts are missing or damaged call 1-888-830-1326.
PLEASE DO NOT RETURN THIS PRODUCT TO THE STORE.

Before installing your fan, record the following information for your records and warranty assistance.

Fan Parts

(Not Drawn to Scale)



Model Name _____
 Catalog No. _____
 Serial No. _____
 Date Purchased _____
 Where Purchased _____

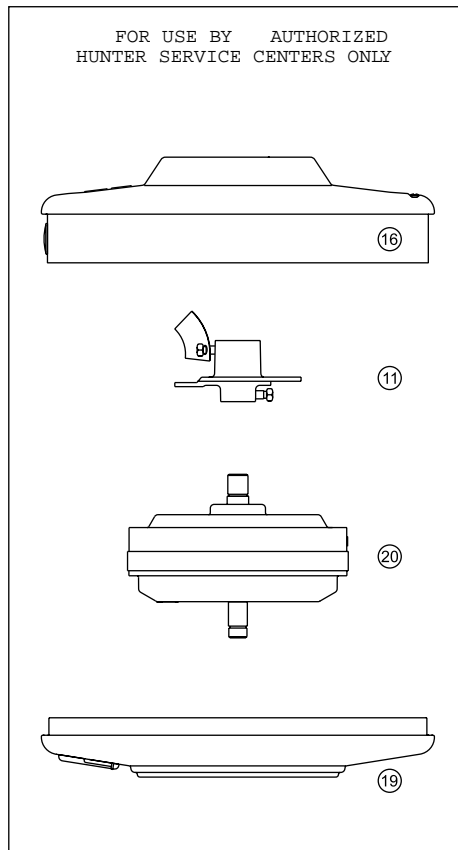
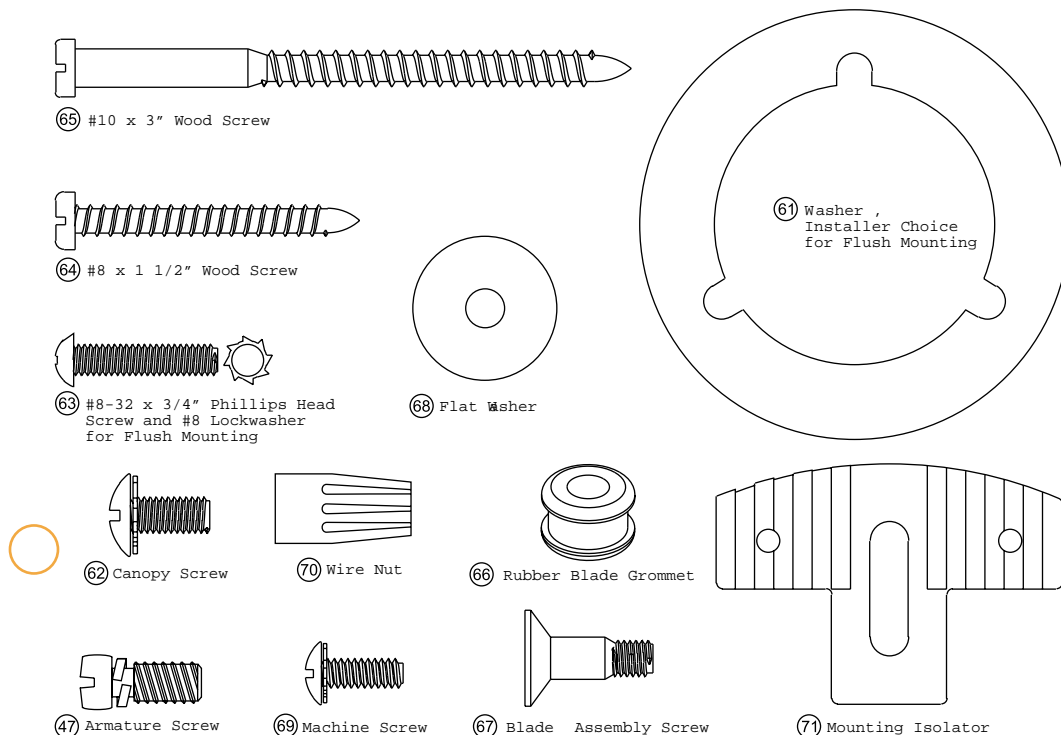
Missing / Broken Parts:
 Call 1-888-830-1326

- Fan does not work:**
1. Reference the Trouble Shooting guide in your Instruction Manual.
 2. Call your Local Service Center.
 3. Call Technical Support at 901-248-2222.

For additional information on:
 Hunter Products • Trouble Shooting
 Dealer Location • Service Center Locator
 Call 1-800-448-6837
www.hunterfan.com

Hardware

(Drawn to Scale)



		Model #	20730	20734	20736
		Asm. Dwg. #	93095-01	93095-02	93095-03
		Finish	Antique Brass	Bright Brass	White
Item #	Item Name	Qty	Part #	Part #	Part #
1	Canopy Assembly	1	93005-00-800	93005-00-801	93005-00-802
2	* Hanger Bracket Assembly	1	74090-02-000	74090-02-000	74090-02-000
3	* Canopy	1	92697-01-121	92697-01-116	92697-01-132
4	* Canopy Trim Ring	1	84512-01-121	84512-01-116	84512-01-132
7	Hanger Pipe Assembly	1	74229-03-121	74229-03-116	74229-24-132
12	* Screw, Set	2	03009-01-000	03009-01-000	03009-01-000
47	Screw, Blade Iron Armature	11	63755-05-232	63755-05-232	63755-05-133
28	Switch/Housing Assembly	1	93194-05-000	93194-01-000	93194-03-000
29	* Switch Housing Cover	1	73853-01-121	73853-01-116	73853-01-132
30	* Switch Housing, Upper	1	84934-01-121	84934-01-116	84934-01-132
31	* Switch Housing, Lower	1	93598-01-121	93598-01-116	93598-01-132
33	* Plug Connector, Female	1	64020-01-000	64020-01-000	64020-01-000
34	* Capacitor, Start	1	74132-01-000	74132-01-000	74132-01-000
35	* Capacitor, Run	1	74133-05-000	74133-05-000	74133-05-000
36	* Switch, Fan Speed Pull Chain	1	63784-01-000	63784-01-000	63784-02-000
37	* Switch, Reverse Assembly	1	64302-01-000	64302-01-000	64302-02-000
38	* Break Away Connector	2	73384-01-000	73384-01-000	73384-01-000
41	* Switch Housing Plug Button	1	73854-01-121	73854-01-116	73854-01-132
130	* Screw, Reversing Switch	2	03492-01-232	03492-01-232	03492-01-133
131	Screw, Switch Housing Assembly	3	64555-02-232	64555-02-232	64555-02-133
44	Blade Iron Set	1	74143-19-121	74143-19-116	74143-19-132
46	Blade Set	1	74048-20-000	74048-20-000	74048-04-000
60	* Hardware Kit	1	92881-00-860	92881-00-860	92881-00-861
61	Washer, Installers Choice	1	73788-01-000	73788-01-000	73788-01-000
62	Screw, Canopy	3	74510-04-232	74510-04-232	74510-04-132
63	Screw, LP Washer	3	74508-06-232	74508-06-232	74508-06-232
64	Screw, Wood	2	06512-01-000	06512-01-000	06512-01-000
65	Screw, Wood	2	03144-03-000	03144-03-000	03144-03-000
66	Grommet, Blade	16	05989-01-000	05989-01-000	05989-02-000
67	Screw, Blade Assembly	16	63730-01-232	63730-01-232	63730-01-232
68	Washer, Flat	4	06301-01-000	06301-01-000	06301-01-000
69	Screw, Machine, 6-32	3	74506-36-232	74506-36-232	74506-36-133
70	Wire Nut	4	05172-01-000	05172-01-000	05172-01-000
71	Mounting Isolator	2	74135-01-000	74135-01-000	74135-01-000
75	* Balancing Kit	1	07570-01-000	07570-01-000	07570-01-000
101	* Owners Manual (English)	1	41343-01-000	41343-01-000	41343-01-000
102	* Owners Manual (Spanish)	1	41343-02-000	41343-02-000	41343-02-000
120	* Site Prep Guide (English)	1	41278-01-000	41278-01-000	41278-01-000
121	* Site Prep Guide (Spanish)	1	41278-02-000	41278-02-000	41278-02-000



Hunter Fan Company
 2500 Frisco Avenue
 Memphis, TN 38114
www.hunterfan.com
 Download from www.Somanuals.com. All Manuals Search And Download.

Free Manuals Download Website

<http://myh66.com>

<http://usermanuals.us>

<http://www.somanuals.com>

<http://www.4manuals.cc>

<http://www.manual-lib.com>

<http://www.404manual.com>

<http://www.luxmanual.com>

<http://aubethermostatmanual.com>

Golf course search by state

<http://golfingnear.com>

Email search by domain

<http://emailbydomain.com>

Auto manuals search

<http://auto.somanuals.com>

TV manuals search

<http://tv.somanuals.com>