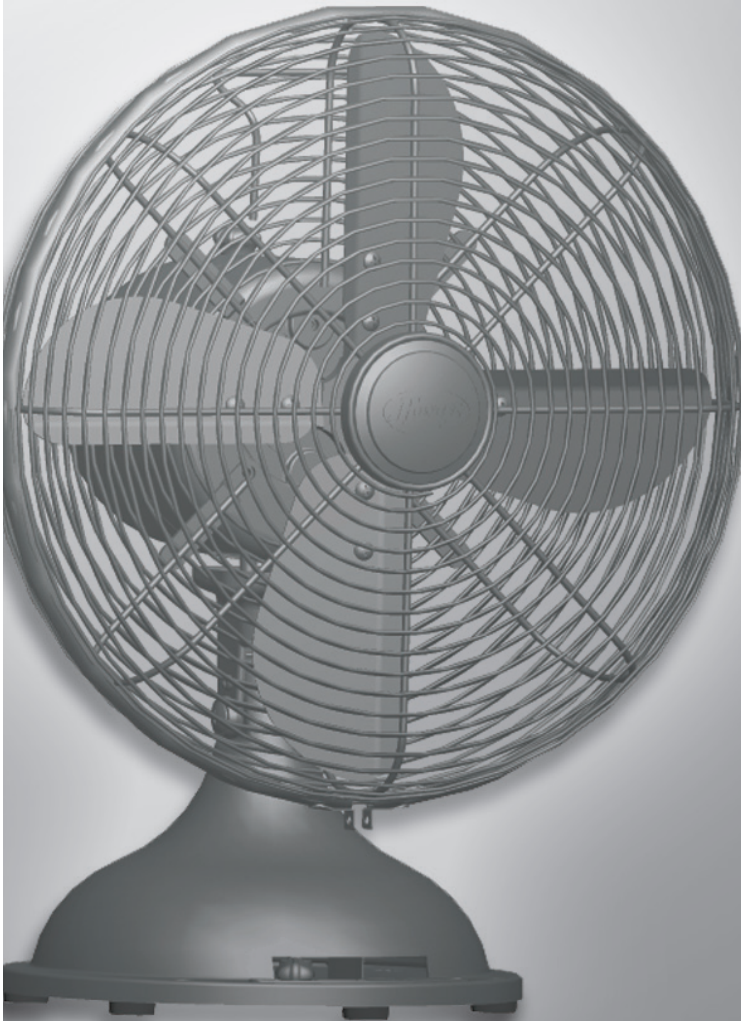


# High Performance Oscillating Fan

## Owner's Guide



English  
Page 2

Español  
Página 10

Français  
Page 18

Model  
**90408**

44828-01  
20091104  
©2009 Hunter Fan Co.

*SINCE 1886*  
**Hunter**<sup>®</sup>

# IMPORTANT SAFETY INFORMATION

## Read & Save These Instructions

### WARNING

To reduce the risk of fire or electrical shock, DO NOT use this fan with any solid-state speed control device.

### CAUTION

When using electrical appliances, basic precautions should always be taken to reduce the risk of fire, electric shock and personal injury:

1. Read all instructions before using this fan.
2. Improper installation may result in the risk of fire, electric shock or personal injury.
3. To prevent the risk of fire and electric shock, DO NOT use the unit near windows. Rain and moisture may create an electrical hazard.
4. The power plug must be removed from the power socket when not in use, before cleaning, servicing, maintenance and before moving to another location.
5. DO NOT put fan in a damp place or where humidity is high-such as a bathroom.
6. The fan should be placed on a flat, stable surface or tabletop to avoid overturning.
7. Use fan only for intended use, as described in this instruction manual.
8. To protect against electrical shock, DO NOT immerse unit, plug or cord in water or spray with liquids.
9. Close supervision is necessary when any appliance is used by or near children.
10. NEVER insert fingers, pencils or any other objects through the grill when the fan is running.
11. DO NOT operate any appliance with a damaged cord or plug, after the appliance malfunctions or has been dropped or damaged in any manner.
12. To disconnect, grip plug and pull from wall outlet. NEVER yank on cord.
13. ALWAYS use on a dry surface.
14. This product is intended for household use only and not for commercial or industrial use.
15. DO NOT operate fan in the presence of explosive and/or flammable fumes.
16. DO NOT place fan or any parts near an open flame, cooking or any other heating appliances.
17. DO NOT use near curtains, plants, window treatments, etc.
18. This appliance has a grounded three-prong plug and is suitable for grounded receptacle use only. An adapter is available for connecting three-blade grounding-type plugs to two-slot receptacles. The adapter must be properly grounded. DO NOT attempt to defeat the purpose of this safety feature.
19. The rubber feet on this product may interact with wood and cause damage to furniture. Do not place on fine wood furniture.

# WELCOME

# UNPACKING

Thank you for choosing the Hunter Millennium™ Table Fan. This manual gives you complete instructions for using your fan. Here are some the features you will enjoy with your fan:

- An attractive design that enhances any decor
- A powerful Hunter motor for maximum air flow
- Three speeds to adjust your comfort level

This fan has been treated with Hunter's Dust Armor Technology, making the blades less likely to attract dust and dirt. For proper cleaning instructions, see the maintenance section in the back of this owner's manual.

Before installing your fan, record the following information for your records and for warranty assistance.

Model Name \_\_\_\_\_

Date Code \_\_\_\_\_

Date Purchased \_\_\_\_\_

Where Purchased \_\_\_\_\_

As you unpack the fan, save the carton and packing materials in case you want to move or ship the unit in the future.

Carefully remove all items from the box.

**NOTE:** It is best to have someone hold the box while you lift the fan and the protective packaging out of the carton.

Make sure all shipping materials are removed from fan before operating.

Please attach your receipt or a copy of your receipt to this manual for future reference.

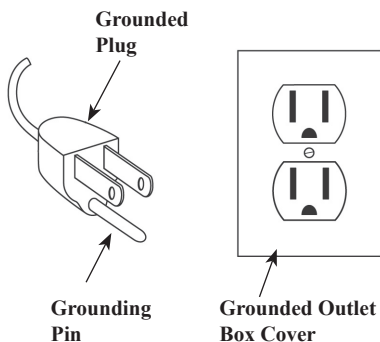
# GROUNDING INSTRUCTIONS

This appliance is for household use only and may be plugged into any 120-volt AC electrical outlet (ordinary household current). DO NOT use any other type of outlet.

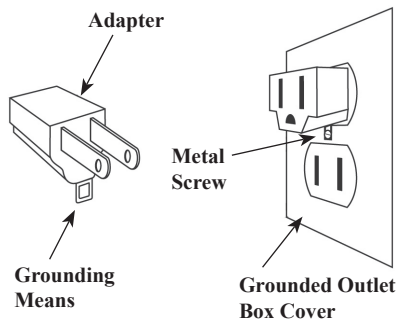
## **⚠ WARNING**

This unit is suitable for grounded receptacle use only.

The cord has a grounded plug as shown in Figure 1. An adapter, as shown in Figure 2, is available for connecting three-blade grounding-type plugs to two-slot receptacles. The green grounding lug extending from the adapter must be connected to a permanent ground such as a properly grounded outlet box. The adapter should not be used if a three-slot grounded receptacle is available.



**FIGURE 1**



**FIGURE 2**

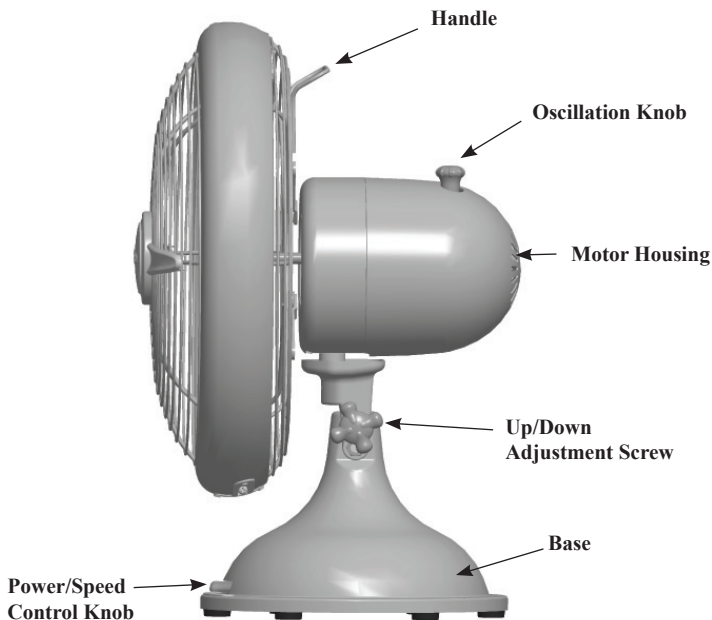
## **LINE CORD SAFETY TIPS**

1. NEVER pull or yank on the cord or the appliance.
2. To insert plug, grasp it firmly and guide it into the outlet.
3. To disconnect the appliance, grasp the plug and remove it from the outlet.
4. Before each use, inspect the line cord for cuts and/or abrasion marks. If any are found, the appliance should be serviced and the line cord replaced. Please return it to our Service Department or to an authorized service representative.
5. NEVER wrap the cord tightly around the appliance, as this could place undue stress on the cord where it enters the appliance and could cause it to fray and break.
6. DO NOT operate appliance if the line cord shows any damage, if the appliance works intermittently or stops working entirely.

# OPERATION

This appliance is for household use only.

1. Place the fan on a dry, safe, flat surface where it cannot fall or be pulled by the cord.
2. Plug the fan into a grounded 120-volt AC electrical outlet (ordinary household current). DO NOT use any other type of outlet. Make sure that the rated voltage of the fan is the same as the power source before plugging it into the power source.
3. Turn the fan "ON" or "OFF" by turning the Power/Speed Control knob. The power should always be OFF before unplugging the fan.
4. To select the speed, turn the Power/Speed Control knob from OFF to the desired speed setting: O (off), I (low), II (medium), III (High).
5. To control the upward and downward direction of airflow, loosen the screw on the side of the fan housing neck. Adjust to the desired angle and tighten the screw.
6. To make the fan oscillate, push the oscillation knob down. To stop oscillating, pull the oscillation knob up. The oscillation knob is located on the top of the fan housing, near the handle.



**FIGURE 3**

# MAINTENANCE

This fan is permanently lubricated and will not require additional lubrication (oil) for the life of the fan.

This fan requires little maintenance and contains no user serviceable parts. DO NOT try to fix it yourself. Contact qualified service personnel if servicing is needed.

## TO CLEAN:

1. Before cleaning, turn fan off and unplug from electrical outlet. Wipe off excess dust with a lintfree cloth.
2. To ensure adequate air circulation to the motor, keep vents located at the rear of the motor housing free from dust accumulation. A vacuum cleaner hose can be used to clean these vents.
3. DO NOT immerse the fan in water or any other liquid.

## CLEANING GRILL AND BLADE:

1. Turn the fan off and unplug from the electrical outlet.
2. Disassemble grills by carefully removing the screw on the bottom of the ring. See Figure 4.
3. Remove the ring.

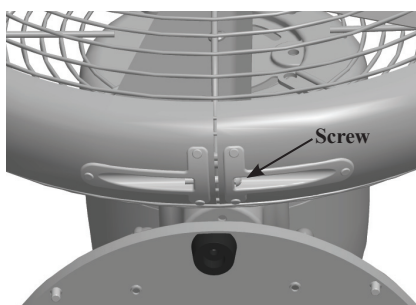


FIGURE 4

4. Use a dry or slightly damp lint free cloth to clean the fan. Do not use a furniture polish or any other cleaners that leave any residue, as they will damage the protective Dust Armor.5. Clean the blades with a damp cloth. Do not use a furniture polish or any other cleaner which leaves a residue, as it will damage the protective Dust Armor on the blades
6. Use a soft, slightly damp cloth to wipe the remaining fan parts.
7. DO NOT allow water or any other liquid to get into the motor housing or base.
8. Reassemble the fan after blades and grills have dried completely. Align the grills, replace the ring, and replace the screw.
9. DO NOT plug fan into an electrical outlet until it has been fully reassembled.

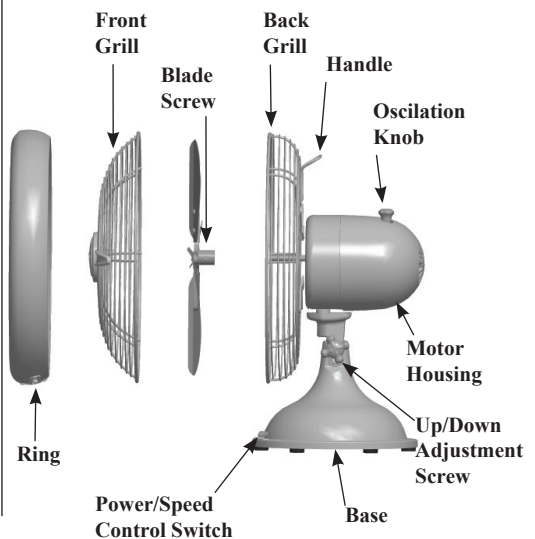


FIGURE 5

## STORAGE

1. Disassemble and clean fan before storing.
2. Keep the original packaging for the purpose of storing the fan.
3. ALWAYS store the fan in a dry place.
4. NEVER store the fan while it is still plugged in.
5. NEVER wrap the cord tightly around the fan.
6. DO NOT put any stress on the cord where it enters the fan, as it could cause the cord to break.

## TROUBLESHOOTING

### PROBLEM

- Fan will not oscillate.

### SOLUTION

- Push down on knob on top of motor housing to activate oscillation.

### PROBLEM

- Can not adjust the angle of the fan.

### SOLUTION

- Loosen the screw on the side of the fan neck. Adjust to the desired angle and tighten the screw.

If you have tried these troubleshooting solutions and still have trouble, call 1-888-830-1326 (For CAN: 1-866-268-1936) or visit our Web site at <http://www.hunterfan.com>.

# WARRANTY

The Hunter Fan Company makes the following limited warranty to the user or consumer purchaser of this Hunter Portable fan:

If your Hunter Portable Fan motor fails at any time within one year after the date of sale to you due to a defect in material or workmanship, labor to repair the defect will be provided free of charge at our nearest service center or our Service Department in Memphis, Tennessee. You will be responsible for labor costs after this one-year period. The foregoing limited warranty applies only to the motor itself, and does not apply to electronic controls such as remote controls, remote control receivers or transmitters used in conjunction with the motor. These electronic control items are included in the one year limited warranty below.

If any part of your Hunter Portable Fan other than the motor fails at any time with one year after the date of sale to you due to a defect in material or workmanship, we will repair or, at our option, replace the defective part free of charge for parts and labor performed at our nearest service center or at our Service Department in Memphis, Tennessee.

IF THE USER OR CONSUMER PURCHASER CEASES TO OWN THE FAN, THIS WARRANTY AND ANY IMPLIED WARRANTY WHICH THEN REMAINS IN EFFECT, INCLUDING BUT NOT LIMITED TO ANY IMPLIED WARRANTY OF MERCHANTABILITY

OR FITNESS FOR A PARTICULAR PURPOSE, ARE VOIDED. NO WARRANTY, EXPRESSED OR IMPLIED, INCLUDING ANY WARRANTY OF MERCHANTABILITY OR FITNESS FOR A PARTICULAR PURPOSE, IS MADE IN RESPECT TO THE GLASS GLOBES OR LIGHT BULBS OR THE FINISH ON ANY METAL PORTION OF THE FAN. THIS WARRANTY IS IN LIEU OF ALL OTHER EXPRESS WARRANTIES. THE DURATION OF ANY IMPLIED WARRANTY, INCLUDING, BUT NOT LIMITED TO ANY IMPLIED WARRANTY OF MERCHANTABILITY OR FITNESS FOR A PARTICULAR PURPOSE, IN RESPECT TO ANY HUNTER FAN MOTOR OR OTHER FAN PART, IS EXPRESSLY LIMITED TO THE PERIOD OF THE EXPRESS WARRANTY SET FORTH ABOVE FOR SUCH MOTORS AND OTHER PARTS.

This warranty is voided if your Hunter Fan is not purchased and used in the USA.

This warranty excludes and does not cover defects, malfunctions or failures of any Hunter Portable fan which were caused by repairs by persons not authorized by us, use of parts or accessories not authorized by us, mishandling, improper installation, modifications, or damage to the Hunter Portable fan while in your possession, or unreasonable use, including failure to provide reasonable and necessary maintenance.



To obtain servicing, contact the nearest Hunter authorized service center or the Hunter Fan Company Service Department, 7130 Goodlett Farms Pkwy. Suite 400, Memphis, Tennessee 38016. Please contact us before shipping your fan to us. If we authorize you to ship it to us, you will be responsible for all insurance and freight or other transportation charges to our factory service center. We will return your Hunter Fan freight prepaid. Your portable fan should be properly packed to avoid damage in transit since we will not be responsible for any such damage. Proof of purchase is required when requesting warranty service. The purchaser must present sales receipt or other document that establishes proof of purchase.

IN NO EVENT SHALL HUNTER FAN COMPANY BE LIABLE FOR CONSEQUENTIAL OR INCIDENTAL DAMAGES.

SOME STATES DO NOT ALLOW LIMITATIONS ON HOW LONG AN IMPLIED WARRANTY LASTS OR THE EXCLUSION OR LIMITATION OF INCIDENTAL OR CONSEQUENTIAL DAMAGES SO THE ABOVE LIMITATION MAY NOT APPLY TO YOU.

THE WARRANTY GIVES YOU SPECIFIC LEGAL RIGHTS AND YOU MAY ALSO HAVE OTHER RIGHTS WHICH VARY FROM STATE TO STATE.

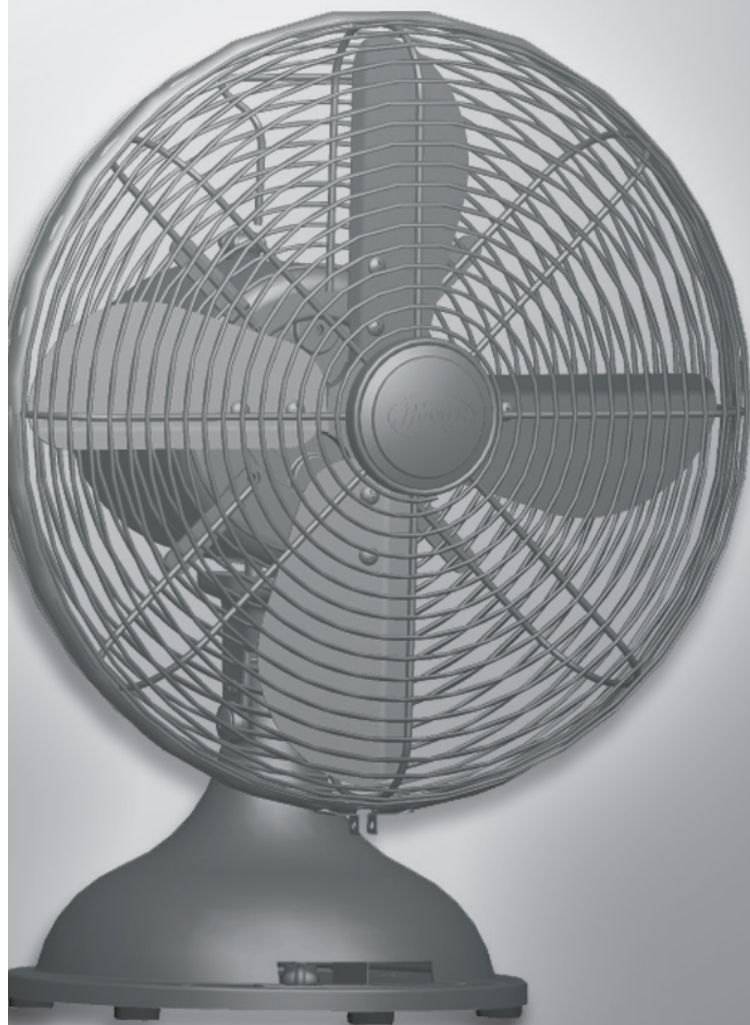
44828-01  
20091104  
©2009 Hunter Fan Co.

*Hunter*<sup>®</sup> SINCE 1886

# Alto Rendimiento

## Ventilador de oscilación

Manual del propietario



English  
Page 2

Español  
Página 10

Français  
Page 18

Modelo  
**90408**

44828-02  
20091104  
©2009 Hunter Fan Co.

*SINCE 1886*  
**Hunter**<sup>®</sup>

# INFORMACIÓN IMPORTANTE DE SEGURIDAD

## Lea y guarde estas instrucciones

### ADVERTENCIA

Para reducir el riesgo de fuego o choque eléctrico, NO use este ventilador con ningún tipo de dispositivo de control de velocidad de estado sólido.

### PRECAUCION

Cuando se usan aparatos eléctricos, se deben tomar siempre ciertas precauciones para reducir el riesgo de fuego, choque eléctrico y lesiones personales.

1. Lea todas las instrucciones antes de usar este ventilador.
2. Una instalación incorrecta podrá resultar en un riesgo de fuego, choque eléctrico o lesiones personales.
3. Para evitar el riesgo de fuego y choque eléctrico, NO use la unidad cerca de ventanas. La lluvia y la humedad pueden crear un peligro eléctrico.
4. El enchufe eléctrico se debe retirar del tomacorriente de la pared cuando no se use el ventilador, antes de limpiarlo, darle servicio o mantenimiento y antes de moverlo a otro lugar.
5. NO coloque el ventilador en un lugar mojado ni donde la humedad sea alta, como en un baño.
6. El ventilador se debe colocar sobre una superficie o mesa plana y estable, para evitar que se caiga o se vuelque.
7. Use el ventilador solamente para el fin con el que ha sido diseñado, como se describe en este manual de instrucciones.
8. Para protección contra un choque eléctrico, NO sumerja esta unidad, el enchufe o el cordón eléctrico en

agua ni lo rocíe con líquidos.

9. Una supervisión cercana es necesaria cuando cualquier aparato es usado por niños o cerca de ellos.
10. NUNCA inserte sus dedos, lápices o cualquier otro objeto a través de la rejilla cuando el ventilador está en operación.
11. NO opere un aparato eléctrico que tenga un cordón o enchufe eléctrico dañado, después de que haya tenido algún problema de operación, se haya caído o se haya dañado de cualquier manera.
12. Para desconectar el ventilador, agarre el enchufe y sáquelo del tomacorriente de la pared. NUNCA tire del cordón.
13. SIEMPRE use el ventilador sobre un superficie seca.
14. Este producto ha sido diseñado para uso residencial solamente y no para uso comercial ni industrial.
15. NO opere el ventilador en la presencia de explosivos ni de vapores inflamables.
16. NO coloque el ventilador ni ninguna pieza cerca de una llama abierta, cocina o cualquier otro aparato que produzca calor.
17. NO use el ventilador cerca de cortinas, plantas, tratamientos para ventanas, etc.
18. Este aparato tiene un enchufe de tres clavijas para conexión a tierra y sólo se puede usar en un tomacorriente conectado a tierra. Existen adaptadores disponibles para conectar un enchufe de tres clavijas a un tomacorriente de dos ranuras. Estos adaptadores deben estar conectados a tierra correctamente. NO trate de usar un adaptador que elimine la seguridad de una buena conexión a tierra.

Muchas gracias por seleccionar el ventilador de mesa Century de Hunter. Este manual contiene instrucciones completas para usar su ventilador. Estas son algunas de las características que disfrutará con su ventilador:

- Diseño atractivo que realiza la decoración de cualquier lugar.
- Poderoso motor Hunter para un máximo flujo de aire.
- Tres velocidades para ajustar el flujo de aire a un nivel confortable para usted.

Partes de este ventilador, incluyendo las aspas y la rejilla han sido tratadas con la cubierta protectora Dust Armor que disminuye la probabilidad de que atraigan polvo y suciedad.

Antes de instalar su ventilador, anote la información siguiente para sus récords y para asistencia con la garantía.

Nombre del modelo

Código de fecha

Fecha de compra

Lugar donde lo compró

Cuando desempaque el ventilador, guarde la caja y los materiales protectores de empaque, en caso de que quiera mover o embarcar la unidad en el futuro.

Saque todas las partes de la caja con mucho cuidado.

NOTA: Es mejor que alguien sostenga la caja mientras usted levanta el ventilador y los materiales protectores fuera de la caja.

Asegúrese de que todos los materiales protectores hayan sido retirados del ventilador antes de ponerlo en funcionamiento.

Este aparato es para uso casero

Por favor, fije su recibo o una copia de su recibo a este manual para referencia futura.

# INSTRUCCIONES PARA LA CONEXIÓN A TIERRA

solamente y se puede enchufar en cualquier tomacorriente de 120 voltios, corriente alterna (c.a.) (voltaje residencial normal). NO use ningún otro tipo de tomacorriente.

## ADVERTENCIA

Esta unidad se puede enchufar solamente en un tomacorriente del tipo conectado a tierra.

El cordón eléctrico tiene un enchufe conectado a tierra como se muestra en la Figura 1. Se puede obtener un adaptador, como se muestra en la Figura 2, para conectar los enchufes de tres clavijas en tomacorrientes de dos ranuras. El terminal verde que se extiende del adaptador se debe conectar a una tierra permanente, tal como una caja eléctrica conectada a tierra correctamente. El adaptador no se debe usar si existe un tomacorriente con tres ranuras disponible.

## CONSEJOS DE SEGURIDAD PARA EL CORDÓN ELÉCTRICO

1. NUNCA tire del cordón del aparato eléctrico.
2. Para insertar el enchufe, agárrelo firmemente y guíelo hacia dentro del

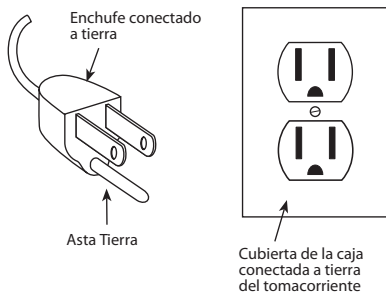


FIGURA 1

tomacorriente.

3. Para desconectar el aparato, agarre el enchufe y sáquelo del tomacorriente.
4. Antes de cada uso, inspeccione el cordón eléctrico para ver si tiene alguna cortadura o marca de abrasión. Si encuentra alguna, el aparato debe recibir servicio y el cordón se debe cambiar. Por favor, devuelva el ventilador a nuestro Departamento de Servicio o a un representante autorizado de servicio.
5. NUNCA enrolle el cordón de forma apretada alrededor del ventilador, ya que eso pone mucha tensión sobre el cordón en el punto donde entra en el aparato y pudiera causar daños o ruptura en el aislamiento del cordón.
6. NO opere el ventilador si el cordón eléctrico muestra cualquier señal de estar dañado, si el ventilador trabaja de forma intermitente o si deja de funcionar completamente.

Este ventilador es para uso residencial solamente.

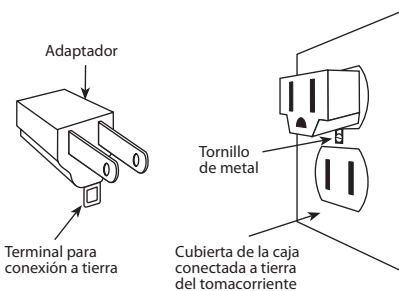


FIGURA 2

# OPERACIÓN

por el cordón.

1. Coloque el ventilador sobre una superficie seca, segura y plana, de donde no se pueda caer ni ser tirado
2. Enchufe el ventilador en un tomacorriente eléctrico conectado a tierra de 120 voltios c.a. (voltaje residencial normal). NO use ningún otro tipo de tomacorriente. Asegúrese de que el voltaje de operación del ventilador sea el mismo que el del tomacorriente antes de enchufar el cordón eléctrico.
3. Encienda ("ON") o apague ("OFF") el ventilador, deslizando el interruptor de control de encendido y velocidad hacia la derecha o la izquierda. El ventilador debe estar siempre apagado antes de desenchufarlo del tomacorriente.

4. Para seleccionar la velocidad, mueva el control de encendido y velocidad desde la posición "OFF" hasta la velocidad deseada: O (apagado), I (baja), II (media) y III (alta).
5. Para controlar la dirección del flujo de aire hacia arriba o hacia abajo, afloje el tornillo que está a un lado del cuello de la caja del ventilador. Ajuste el aparato en el ángulo deseado y apriete el tornillo.
6. Para que el ventilador oscile, oprima la perilla de oscilación hacia abajo. Para detener la oscilación, tire de la perilla hacia arriba. La perilla de oscilación está ubicada en la parte superior de la caja del motor, cerca del asa.

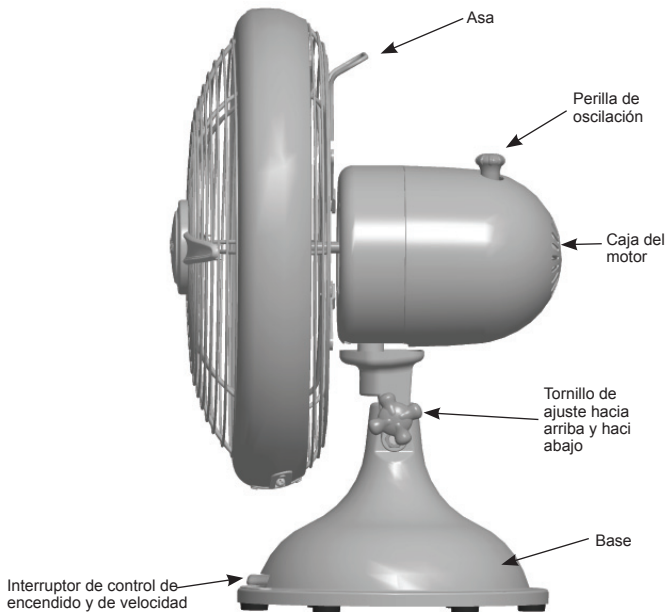


FIGURA 3

# MANTENIMIENTO

Este ventilador ha sido lubricado permanentemente y no requiere lubricación (aceite) durante el resto de su vida útil.

Este ventilador requiere muy poco mantenimiento y no contiene piezas que puedan ser reparadas por el usuario. NO trate de arreglar usted mismo este ventilador. Llame a una persona de servicio cualificada si el ventilador necesita servicio.

## PARA LIMPIARLO:

1. Antes de limpiarlo, apague el ventilador y desconéctelo del tomacorriente. Limpie el exceso de polvo con un paño que no tenga hilachas.
2. Para asegurar una circulación de aire adecuada en el motor, mantenga las aberturas de ventilación en la parte posterior de la caja del motor libres de cualquier acumulación de polvo. Se puede usar la manguera de una aspiradora de polvo para limpiar estas aberturas.
3. NO sumerja el ventilador en agua ni en ningún otro líquido.

## FORMA DE LIMPIAR LA REJILLA Y LAS PALETAS:

1. Apague el ventilador y desenchúfelo del tomacorriente.
2. Después, alinee las rejillas retirando cuidadosamente el tornillo de la parte inferior de la rejilla y apretando el anillo para quitar el gancho del agujero. Vea la Figura 4.
3. Desarme las paletas, sacando con mucho cuidado el tornillo de las paletas

situado detrás de las paletas. Las paletas deben deslizarse hacia fuera.

4. Use un paño, que no deje pelusas, seco o ligeramente húmedo para limpiar el ventilador. No use cera para muebles o algún otro limpiador que deje residuos, ya que dañará la cubierta protectora Dust Armor.
5. Use un paño suave y húmedo para limpiar las otras partes del ventilador.

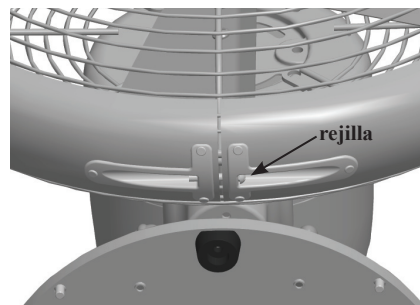


FIGURE 4

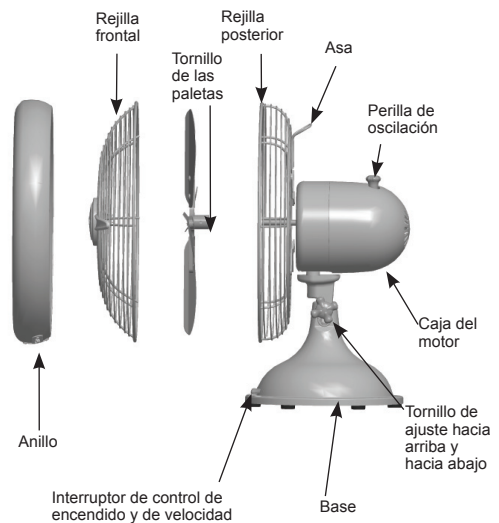


FIGURA 5

# ALMACENAMIENTO

6. NO permita que el agua ni ningún otro líquido entre en la caja del motor ni en la base.

7. Vuelva a armar el ventilador después de que las paletas y las rejillas se hayan secado completamente. Primero, cambie las paletas. Cuando vuelva a instalar el tornillo de las paletas, deberá sentir cierta resistencia a medida que el tornillo se aprieta contra la barra. Luego, alinee las rejillas, instale nuevamente el anillo, y coloque el gancho en el agujero y el tornillo.

8. NO enchufe el ventilador en un tomacorriente hasta que haya sido armado completamente.

## ALMACENAJE

1. Desarme y limpie el ventilador antes de guardarlo.
2. No bote la caja original y los materiales de empaque, porque los puede usar para guardar el ventilador.
3. SIEMPRE guarde el ventilador en un lugar seco.
4. NUNCA guarde el ventilador mientras está enchufado todavía.
5. NUNCA enrolle el cordón apretadamente alrededor del ventilador.
6. NO aplique ninguna tensión sobre el cordón en el punto donde entra en el ventilador, ya que pudiera causar su

ruptura.

## PROBLEMA

- El ventilador no oscila.

## SOLUCIÓN

- Oprima la perilla de la parte superior de la caja del motor para activar la oscilación.

## PROBLEMA

- No puede ajustar el ángulo del ventilador.

## SOLUCIÓN

- Afloje el tornillo que está a un lado del cuello del ventilador. Ajuste el ventilador en el ángulo deseado y vuelva a apretar el tornillo.

## LOCALIZACIÓN DE FALLAS

Si ha tratado todas estas soluciones de fallas y todavía tiene un problema, llame al teléfono 1-888-830-1326 (Para CAN: 1-866-268-1936) o visite nuestro sitio en la Internet, usando la dirección <http://www.hunterfan.com>.



# GARANTIA

Hunter Fan Company establece la siguiente garantía limitada al usuario o comprador original de este ventilador portátil de Hunter:

Si el motor de su ventilador Hunter falla en cualquier momento en el plazo de un año después de la fecha de compra debido a una falla de material o mano de obra, la mano de obra para reparar la falla será proporcionada sin costo en nuestro centro de reparaciones más cercano o en nuestro Departamento de servicio en Memphis, Tennessee. Usted será responsable por el costo de la mano de obra después de este período de un año. La garantía limitada anterior sólo se aplica al motor y no se aplica a controles electrónicos como controles remotos, receptores o transmisores remotos utilizados con el motor. Estos controles electrónicos están incluidos en la garantía limitada de un año. Si alguna pieza de su ventilador portátil Hunter con excepción del motor falla en cualquier momento en el período de un año después de la fecha de compra debido a una falla de material o mano de obra, repararemos o, a nuestra elección, reemplazaremos la pieza defectuosa sin costo para partes y mano de obra realizada en nuestro centro de reparaciones más cercano o en nuestro Departamento de servicio en Memphis, Tennessee.

SI EL USUARIO O COMPRADOR ORIGINAL DEJA DE POSEER EL VENTILADOR, ESTA GARANTÍA Y CUALQUIER GARANTÍA IMPLÍCITA QUE PERMANEZCA EN EFECTO, INCLUYENDO PERO SIN LIMITARSE A TODA GARANTÍA IMPLÍCITA DE

COMERCIABILIDAD O IDONEIDAD PARA UN PROPÓSITO PARTICULAR, QUEDA ANULADA. NO SE OFRECE NINGUNA GARANTÍA EXPRESA O IMPLÍCITA, INCLUYENDO CUALQUIER GARANTÍA DE COMERCIABILIDAD O IDONEIDAD PARA UN PROPÓSITO PARTICULAR, EN RELACIÓN CON LAS PANTALLAS DE VIDRIO O LAS BOMBILLAS O EL ACABADO EN CUALQUIER PARTE METÁLICA DEL VENTILADOR. ESTA GARANTÍA SUSTITUYE A TODAS LAS OTRAS GARANTÍAS EXPRESAS. LA DURACIÓN DE TODA GARANTÍA IMPLÍCITA, INCLUYENDO PERO SIN LIMITARSE A CUALQUIER GARANTÍA IMPLÍCITA DE COMERCIABILIDAD O IDONEIDAD PARA UN PROPÓSITO PARTICULAR, CON RESPECTO DE CUALQUIER MOTOR U OTRA PARTE DEL VENTILADOR HUNTER, ESTÁ EXPRESAMENTE LIMITADA AL PERIODO DE LA GARANTÍA EXPRESA ESTABLECIDA ANTERIORMENTE PARA DICHOS MOTORES U OTRAS PARTES.

Esta garantía es nula si su ventilador para baño no se adquiere e instala en los EE.UU. Esta garantía excluye y no cubre defectos, averías o fallas de cualquier ventilador portátil Hunter que fueran ocasionados por reparaciones por parte de personas no autorizadas por nosotros, por el uso de piezas o accesorios no autorizados por nosotros, mal uso, instalación incorrecta, modificaciones, o daños al ventilador portátil Hunter mientras esté en su posesión, o por un empleo no razonable, incluyendo la falta de mantenimiento necesario y razonable. Para obtener servicio,

contacte con el centro de servicio autorizado Hunter o con nuestro Departamento de servicio de Hunter Fan Company, en 7130 Goodlett Farms Pkwy, Ste 400, Memphis, Tennessee 38016. Le agradeceremos que se ponga en contacto con nosotros antes de enviarnos su ventilador. Si le autorizamos a enviarlo, usted será responsable de todos los cargos de seguro y flete o de otros cargos de transporte a nuestra planta o centro de reparaciones. Devolveremos su ventilador Hunter con el flete prepagado. Su ventilador se debe embalar apropiadamente para evitar daños durante el tránsito ya que no seremos responsables de dichos daños. Debe proporcionar una prueba de su compra cuando solicite un servicio de garantía. El comprador debe presentar el recibo de compra u otro documento que establezca la prueba de su compra.

SEPRE Y DEVUELVA LA TARJETA DE REGISTRO DEL PROPIETARIO SIGUIENTE PARA QUE HUNTER FAN COMPANY CUENTE CON UN REGISTRO DE LA FECHA EN QUE COMPRÓ SU VENTILADOR PORTÁTIL HUNTER. LA DEVOLUCIÓN DE LA TARJETA DE REGISTRO DEL PROPIETARIO NO ES UNA CONDICIÓN PARA LA COBERTURA DE LA GARANTÍA. EN NINGÚN CASO HUNTER FAN COMPANY SERÁ RESPONSABLE DE DAÑOS PERJUDICIALES O ACCESORIOS. ALGUNOS ESTADOS NO PERMITEN LIMITACIONES SOBRE LA DURACIÓN DE UNA GARANTÍA IMPLÍCITA O LA EXCLUSIÓN O LIMITACIÓN DE DAÑOS ACCESORIOS O PERJUDICIALES, ASÍ QUE LA LIMITACIÓN O EXCLUSIONES ANTES MENCIONADAS PUEDEN NO APLICARSE A USTED. LA GARANTÍA LE DA DERECHOS LEGALES ESPECÍFICOS, PERO USTED TAMBIÉN PUEDE TENER OTROS DERECHOS QUE VARÍAN DE ESTADO A ESTADO.

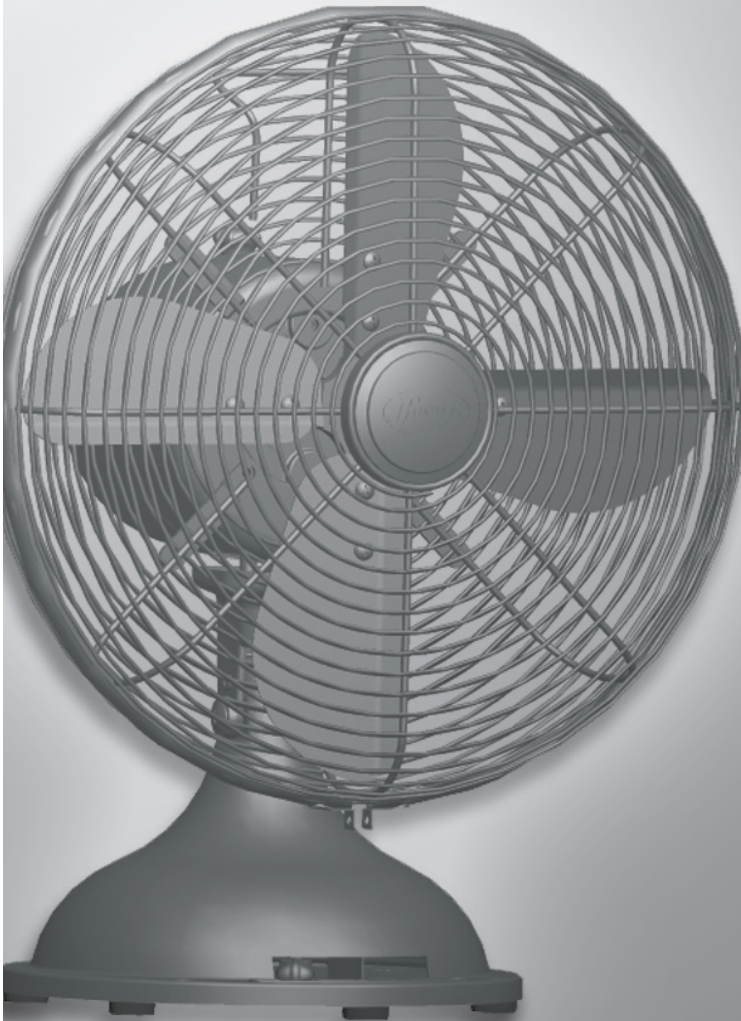
44828-02  
20091104  
©2009 Hunter Fan Co.

*SINCE 1886*  
**Hunter**<sup>®</sup>

# Alto Rendimiento

## Ventilador de oscilación

Manual del propietario



English  
Page 2

Español  
Página 10

Français  
Page 18

Modelo  
**90408**

44828-03  
20091104  
©2009 Hunter Fan Co.

*SINCE 1886*  
**Hunter**<sup>®</sup>

# INFORMATIONS DE SÉCURITÉ IMPORTANTES

Lisez et conservez ces instructions

## MISE EN GARDE

Pour réduire le risque d'incendie ou de secousse électrique, **N'EMPLOYEZ PAS** ce ventilateur avec une commande de vitesse transistorisée.

## ATTENTION !

Quand vous employez un appareil électrique, il faut toujours prendre des précautions de base pour réduire le risque d'incendie, de secousse électrique et de blessure personnelle.

1. Lisez toutes les instructions avant d'employer ce ventilateur.
2. Une installation incorrecte peut provoquer un incendie, une secousse électrique ou des blessures personnelles .
3. Pour éviter le risque d'incendie et de secousse électrique, **N'EMPLOYEZ PAS** cet appareil près d'une fenêtre. La pluie et l'humidité peuvent créer un danger électrique.
4. La fiche doit être retirée de la prise électrique quand l'appareil n'est pas employé, avant de le nettoyer ou de faire l'entretien et avant de le déplacer
5. **NE PLACEZ PAS** le ventilateur dans un endroit humide—tel une salle de bain.
6. Le ventilateur doit être placé sur une surface plane, stable ou sur une table pour éviter qu'il ne se renverse.
7. N'employez le ventilateur que pour son usage prévu, comme décrit dans ce guide d'utilisation.
8. Pour vous protéger contre les secousses électriques, **NE PLONGEZ PAS** cet appareil, la fiche ou le cordon dans l'eau et ne l'aspergez pas avec un liquide.
9. Une surveillance attentive est nécessaire quand un appareil électrique est utilisé par des enfants ou près d'eux.
10. **N'INSÉREZ JAMAIS** vos doigts, des crayons, ni aucun autre objet à travers la grille quand le ventilateur est en marche.
11. **NE FAITES PAS** fonctionner un appareil électrique dont le cordon ou la fiche est endommagée, après une panne ou après qu'il est tombé ou a été endommagé d'une quelconque façon.
12. Pour le débrancher, prenez la fiche en main et retirez-la de la prise murale. **NE TIREZ JAMAIS** sur le cordon.
13. Employez-le **TOUJOURS** sur une surface sèche.
14. Ce produit est conçu pour un emploi domestique et non pour un usage commercial ou industriel.
15. **NE FAITES PAS** fonctionner le ventilateur en présence de fumées explosives et/ou inflammables.
16. **NE PLACEZ PAS** le ventilateur près d'une flamme nue, ou d'un appareil de cuisson ou de chauffage.
17. **NE L'EMPLOYEZ PAS** à proximité de tentures, plantes, rideaux, etc.
18. Cet appareil a une fiche à trois broches avec mise à la terre et ne convient que pour une prise avec mise à la terre. Vous pouvez vous procurer un adaptateur pour connecter les fiches à trois broches dans des prises à deux trous. L'adaptateur doit être mis à la terre. **IL NE FAUT PAS** essayer de contourner cette sécurité.

## BIENVENUE

Merci d'avoir choisi le ventilateur de table Century de Hunter. Ce guide vous donne des instructions détaillées pour l'emploi de votre ventilateur. Voici quelques caractéristiques de votre ventilateur que vous apprécierez :

- Un style attractif qui enrichit tous les décors
- Un moteur Hunter puissant pour un courant d'air maximum
- Trois vitesses pour régler le niveau de confort

Avant d'installer le ventilateur, enregistrez les renseignements suivants pour assistance de garantie.

Nom de modèle : \_\_\_\_\_

Date d'achat : \_\_\_\_\_

Code de date : \_\_\_\_\_

Place d'achat : \_\_\_\_\_

\_\_\_\_\_

Veuillez inclure le reçu  
ou une copie de votre reçu  
dans ce guide pour réfé-  
rence future.

## DÉBALLAGE

Quand vous déballez le ventilateur, conservez le carton et l'emballage pour un déménagement ou une expédition future.

Retirez soigneusement tous les articles du carton.

**REMARQUE** : Le mieux est que quelqu'un tienne le carton pendant que vous enlevez le ventilateur et l'emballage de protection.

Veillez à enlever tous les matériaux d'expédition du ventilateur avant de la mettre en marche.

# INSTRUCTIONS DE MISE À LA TERRE

Cet appareil est destiné à un usage domestique seulement et peut être branché dans n'importe quelle prise de courant de 120 V c.a (courant domestique normal). **NE LE BRANCHEZ PAS** dans un autre type de prise.

## MISE EN GARDE

Cet appareil ne doit être branché que dans une prise avec terre.

Le cordon a une fiche avec terre comme montré à la figure 1. Vous pouvez vous procurer un adaptateur, référez-vous à la figure 2, pour connecter les fiches à trois broches dans des prises à deux trous. La cosse verte de l'adaptateur doit être connectée à une terre permanente comme une boîte de raccordement mise à la terre. N'employez l'adaptateur que si vous ne disposez pas d'une prise à trois trous.

## CONSEILS DE SÉCURITÉ POUR LE CORDON ÉLECTRIQUE

1. Ne tirez **JAMAIS** brusquement

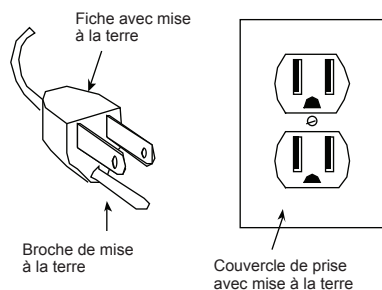


FIGURE 1

sur le cordon ou l'appareil.

2. Pour insérer la fiche, prenez-la bien en main et placez-la dans la prise.
3. Pour débrancher l'appareil, prenez la fiche en main et retirez-la de la prise.
4. Avant chaque usage, inspectez le cordon électrique et vérifiez qu'il n'y a pas de coupures et/ou de marques d'abrasion. S'il y en a, l'appareil doit être réparé et le cordon remplacé. Veuillez le renvoyer à notre service technique ou à un représentant autorisé.
5. **N'ENROULEZ JAMAIS** le cordon très serré autour de l'appareil, car cela apporte une tension excessive à l'entrée du cordon dans l'appareil et pourrait provoquer un effilochage ou une cassure.
6. **NE FAITES PAS FONCTIONNER** l'appareil si le cordon est endommagé de quelque façon, si l'appareil marche par à coups ou s'arrête complètement.

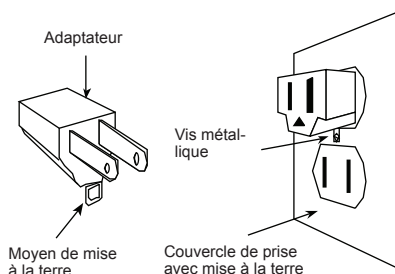


FIGURE 2

# FONCTIONNEMENT

Cet appareil est destiné à un usage domestique seulement.

1. Placez le ventilateur sur une surface sèche, plane et sûre, de laquelle il ne peut pas tomber ni être tiré par le cordon.
2. Branchez le ventilateur dans une prise électrique mise à la terre de 120 V c.a. (courant domestique normal). **NE LE BRANCHEZ PAS** dans un autre type de prise. Veillez à ce que la tension nominale du ventilateur soit identique à l'alimentation en électricité avant de le brancher dans une prise.
3. Mettez le ventilateur en marche ou arrêtez-le en faisant glisser la commande de mise en marche/vitesse vers la gauche ou vers la droite. Arrêtez toujours le ventilateur avant de la débrancher.
4. Pour choisir la vitesse déplacez la commande de mise en marche/vitesse vers le réglage désiré. O (arrêt), I (vitesse basse), II (vitesse moyenne), III (haute vitesse).
5. Pour contrôler la direction vers le haut ou vers le bas du flux d'air, desserrez la vis sur le côté du col du boîtier du ventilateur. Ajustez l'angle désiré et serrez la vis.
6. Pour faire osciller le ventilateur, poussez le bouton d'oscillation vers le bas. Pour arrêter l'oscillation, tirez le bouton d'oscillation vers le haut. Le bouton d'oscillation est situé sur le haut du boîtier de ventilateur, près de la poignée. Ce ventilateur est lubrifié de façon

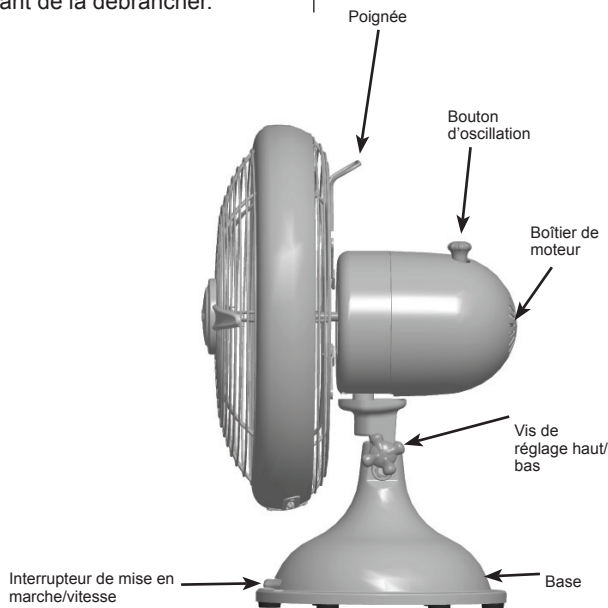


FIGURE 3



# ENTRETIEN

permanente et ne demandera jamais de lubrification (huile) supplémentaire.

Ce ventilateur ne nécessite que peu d'entretien et ne contient pas d'éléments à entretenir par l'utilisateur. N'ESSAYEZ PAS de le réparer vous-même. Contactez une personne qualifiée si une réparation est nécessaire.

## NETTOYAGE :

1. Avant de le nettoyer, arrêtez le ventilateur et débranchez-le. Essuyez la poussière avec un chiffon non pelucheux.
2. Pour assurer une circulation d'air suffisante au moteur, enlevez régulièrement l'accumulation de poussière sur les événements situés à l'arrière du boîtier de moteur. Vous pouvez utiliser un tuyau d'aspirateur pour les nettoyer.
3. N'IMMERGEZ PAS le ventilateur dans l'eau ou un autre liquide.

## NETTOYAGE DES GRILLES ET DES PALES :

1. Arrêtez le ventilateur et débranchez-le.
2. Démontez les grilles en enlevant soigneusement la vis qui se trouve en dessous des grilles et en poussant sur l'anneau pour retirer le crochet du trou. Voir figure 4.
3. Démontez les pales en retirant soigneusement la vis de pale qui se trouve derrière elles. Les pales devraient se retirer en glissant facilement.

4. Les grilles et les pales peuvent être nettoyées avec du savon doux et de l'eau.

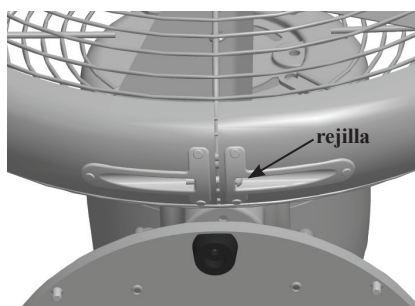


FIGURE 4

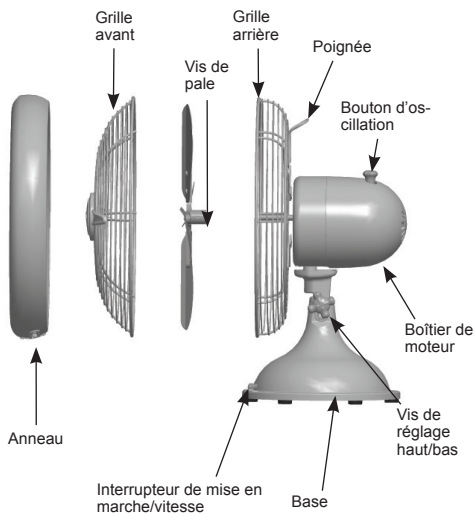


FIGURA 5



## ENTRETIEN

5. Employez un chiffon doux humide pour essuyer les autres éléments du ventilateur.
6. **NE LAISSEZ PAS** pénétrer de l'eau ou un autre liquide dans le boîtier de moteur ou dans la base.
7. Remontez le ventilateur une fois que les pales et les grilles sont tout à fait sèches. Commencez par remettre toutes les pales en place. Quand vous remettez en place la vis de pale, vous devriez sentir une légère résistance quand la vis s'engage dans la barre. Ensuite, alignez les grilles, remettez l'anneau en place, placez le crochet dans le trou et remettez la vis.
8. **NE BRANCHEZ PAS** le ventilateur dans une prise électrique avant qu'il ne soit complètement assemblé.

## RANGEMENT

1. Démontez et nettoyez le ventilateur avant de le ranger.
2. Placez-le dans l'emballage d'origine pour le ranger.
3. Rangez **TOUJOURS** le ventilateur dans un endroit sec.
4. Ne rangez **JAMAIS** le ventilateur quand il est encore branché.
5. N'enroulez **JAMAIS** le cordon serré autour du ventilateur.

### PROBLÈME

6. N'apportez pas une tension excessive à l'entrée du cordon dans l'appareil car cela pourrait provoquer la cassure du cordon.
- Le ventilateur oscille pas.

### SOLUTION

- Poussez sur le bouton sur le haut du boîtier de moteur pour activer l'oscillation.

---

### PROBLÈME

- Impossible de régler l'angle du ventilateur.

### SOLUTION

- Desserrez la vis sur le côté du col du ventilateur. Ajustez l'angle désiré et serrez la vis.

---

Si vous avez essayé ces solutions de dépannage et avez toujours des problèmes, appelez le 1-901-888-222 (pour le Canada : 1-866-268-1936) ou visitez notre site web à <http://www.hunterfan.com>.

## DÉPANNAGE

### PROBLÈME

- Le ventilateur n'oscille pas.

### SOLUTION

- Poussez sur le bouton sur le haut du boîtier de moteur pour activer l'oscillation.

---

### PROBLÈME

- Impossible de régler l'angle du ventilateur.

### SOLUTION

- Desserrez la vis sur le côté du col du ventilateur. Ajustez l'angle désiré et serrez la vis.

---

Si vous avez essayé ces solutions de dépannage et avez toujours des problèmes, appelez le 1-901-888-222 (pour le Canada : 1-866-268-1936) ou visitez notre site web à <http://www.hunterfan.com>.

## GARANTIE

### HUNTER FAN COMPANY

### GARANTIE LIMITÉE DE 1 ANS

Dans le cas où une pièce du moteur du ventilateur portable Hunter ferait défaut au cours des 1 années suivant la date d'achat à cause d'une défektivité matérielle ou de fabrication, nous remplacerons gratuitement la pièce. Si nous ne pouvons remplacer la pièce pour ce moteur de ventilateur portable Hunter, nous vous rembourserons le prix d'achat réel de votre ventilateur. Si le moteur de votre ventilateur portable Hunter tombe en panne dans l'année suivant la date de votre achat à cause d'un défaut de matériel ou de fabrication, nous vous offrirons gratuitement la main d'œuvre pour réparer ce défaut à notre plus proche centre de service ou à notre atelier de service de Memphis au Tennessee. Vous serez responsable de tous les coûts de main-d'œuvre après cette période d'un an. La garantie limitée précédente ne couvre que le moteur et ne s'applique pas aux commandes électroniques comme les télécommandes, les récepteurs et les émetteurs de télécommande utilisés avec le moteur. Ces pièces de commandes électroniques font partie de la garantie limitée d'un an ci-dessous. Si une pièce quelconque de votre ventilateur portable Hunter fait défaut dans l'année suivant la date de l'achat à cause d'un défaut de matériel ou de fabrication, nous réparerons ou remplacerons, à notre choix, la pièce défectueuse, sans frais pour les pièces ou la main-d'œuvre à notre plus proche centre de service ou à notre atelier de service de Memphis au Tennessee.

SI L'USAGER OU LE CLIENT ACHETEUR CESSE D'ÊTRE PROPRIÉTAIRE

DU VENTILATEUR, CETTE GARANTIE ET TOUTE AUTRE GARANTIE IMPLICITE QUI RESTENT ENCORE VALIDES, Y COMPRIS, MAIS SANS Y ÊTRE LIMITÉE, TOUTE GARANTIE IMPLICITE DE QUALITÉ MARCHANDE OU DE COMPATIBILITÉ À UN USAGE PARTICULIER, SONT ANNULÉES. AUCUNE GARANTIE, EXPRESSE OU IMPLICITE, INCLUANT TOUTE GARANTIE IMPLICITE DE LA QUALITÉ MARCHANDE OU DE COMPATIBILITÉ À UN USAGE PARTICULIER, N'EST FAITE À L'ÉGARD DES GLOBES DE VERRE OU DES AMPOULES OU DU FINI DE TOUTE PARTIE MÉTALLIQUE DU VENTILATEUR. CETTE GARANTIE TIENT LIEU DE TOUTE AUTRE GARANTIE EXPRESSE. LA DURÉE DE TOUTE GARANTIE IMPLICITE, Y COMPRIS, MAIS SANS Y ÊTRE LIMITÉE, UNE QUELCONQUE GARANTIE IMPLICITE DE QUALITÉ MARCHANDE OU DE COMPATIBILITÉ À UN USAGE PARTICULIER, RELATIVEMENT À UN MOTEUR OU À UNE AUTRE PIÈCE DU VENTILATEUR HUNTER, EST EXPRESSÉMENT LIMITÉE À LA PÉRIODE DE LA GARANTIE EXPRESSE ÉNONCÉE PLUS HAUT POUR CES MOTEURS ET AUTRES PIÈCES.

Cette garantie est nulle si votre ventilateur Hunter n'a pas été acheté et installé aux É.-U. Cette garantie exclue et ne couvre pas les défauts, les mauvais fonctionnements et les pannes d'un ventilateur portable Hunter, dus à des réparations par des personnes auxquelles nous n'avons pas donné d'autorisation, à l'utilisation non autorisée par nous de pièces ou d'accessoires, à un mauvais traitement, une mauvaise installation, des modifications ou des dommages au ventilateur portable Hunter tandis qu'il

était en votre possession, ou à un usage déraisonnable, y compris l'incapacité de fournir un entretien raisonnable et nécessaire. Pour bénéficier du service, communiquez avec le centre de service autorisé Hunter le plus proche du Hunter Fan Company Service Department, 7130 Goodlett Farms Pkwy, Ste 400, Memphis, Tennessee 38016. Veuillez communiquer avec nous avant de nous expédier votre ventilateur. Si nous vous autorisons à faire cet envoi, vous devrez assumer les frais d'assurance et de transport à notre usine ou à notre centre de service. Nous vous retournerons votre ventilateur Hunter en port prépayé. Votre ventilateur portable devra être emballé avec soin pour éviter tout dommage durant le transport puisque nous ne pourrions être tenus responsables d'un tel dommage. Une preuve d'achat est exigée pour bénéficier de la garantie. L'acheteur devra présenter une facture ou un autre document qui établit la preuve de l'achat.

VEUILLEZ DÉTACHER ET RETOURNER LA FICHE D'ENREGISTREMENT DU PROPRIÉTAIRE CI-APRÈS AFIN QUE LA SOCIÉTÉ HUNTER FAN COMPANY AIT UNE PREUVE DE LA DATE À LAQUELLE VOUS AVEZ ACHETÉ VOTRE VENTILATEUR HUNTER PORTABLE. L'ENVOI DE LA FICHE D'ENREGISTREMENT DU PROPRIÉTAIRE N'EST PAS UNE CONDITION DE COUVERTURE PAR LA GARANTIE. EN AUCUN CAS, LA SOCIÉTÉ HUNTER FAN COMPANY NE SERA TENUE RESPONSABLE DES DOMMAGES ACCESSOIRES OU INDIRECTS. CERTAINS ÉTATS (OU PROVINCES) N'AUTORISENT PAS DE RESTRICTIONS SUR LA DURÉE DE LA GARANTIE IMPLICITE OU SUR L'EXCLUSION OU LA RESTRICTION DES DOMMAGES ACCESSOIRES OU

INDIRECTS; PAR CONSÉQUENT, LA RESTRICTION OU LES EXCLUSIONS CI-DESSUS POURRAIENT NE PAS S'APPLIQUER À VOUS. CETTE GARANTIE VOUS DONNE DES DROITS LÉGAUX SPÉCIFIQUES ET VOUS POURRIEZ ÉGALEMENT AVOIR D'AUTRES DROITS QUI PEUVENT VARIER SELON LES ÉTATS ET LES PROVINCES.

44828-03  
20091104  
©2009 Hunter Fan Co.

*Hunter* SINCE 1886®

## Free Manuals Download Website

<http://myh66.com>

<http://usermanuals.us>

<http://www.somanuals.com>

<http://www.4manuals.cc>

<http://www.manual-lib.com>

<http://www.404manual.com>

<http://www.luxmanual.com>

<http://aubethermostatmanual.com>

Golf course search by state

<http://golfingnear.com>

Email search by domain

<http://emailbydomain.com>

Auto manuals search

<http://auto.somanuals.com>

TV manuals search

<http://tv.somanuals.com>