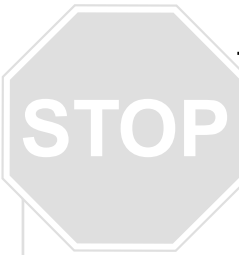


PARTS GUIDE

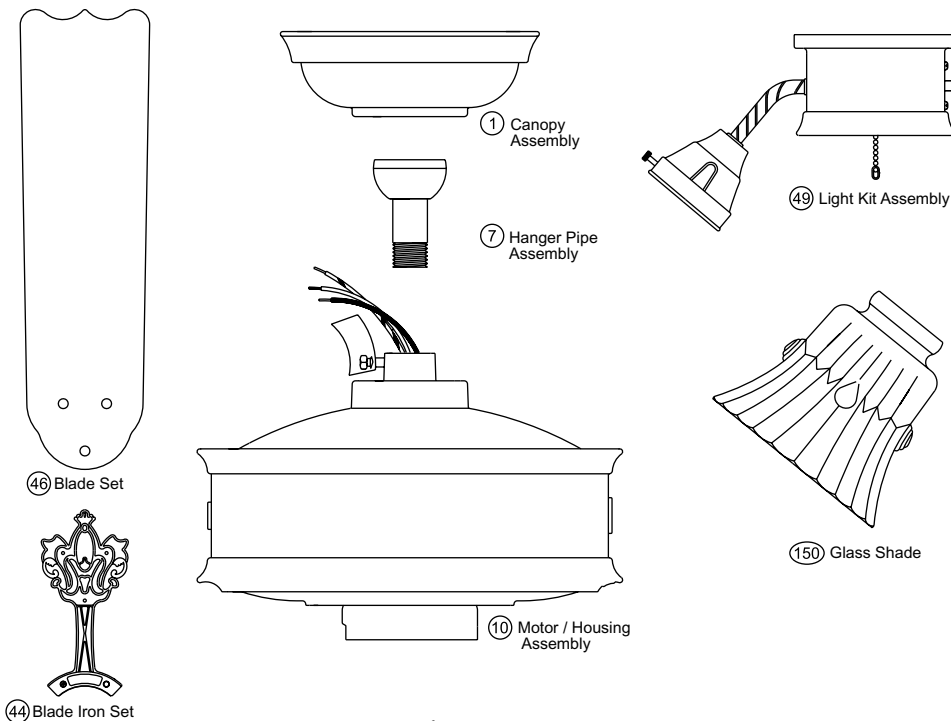


Using the Parts Guide below, check to make sure all parts are included in the box.
 If parts are missing or damaged call 1-888-830-1326.
PLEASE DO NOT RETURN THIS PRODUCT TO THE STORE.

Before installing your fan, record the following information for your records and warranty assistance.

Fan Parts

(Not Drawn to Scale)



Model Name _____
 Catalog No. _____
 Serial No. _____
 Date Purchased _____
 Where Purchased _____

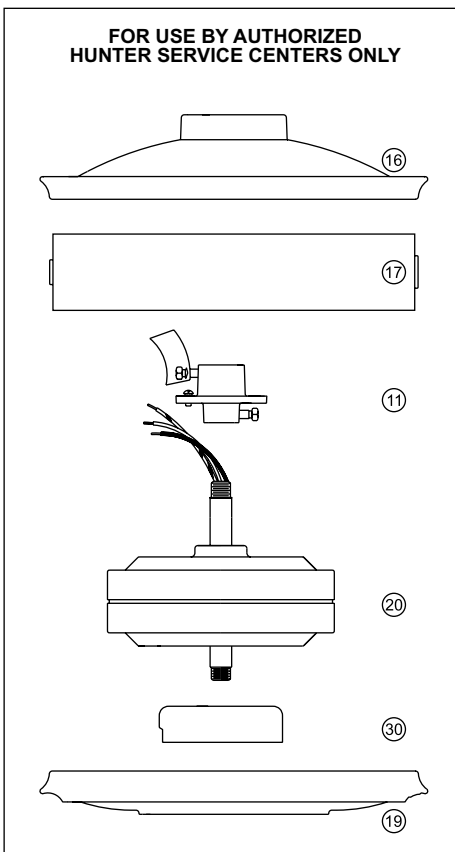
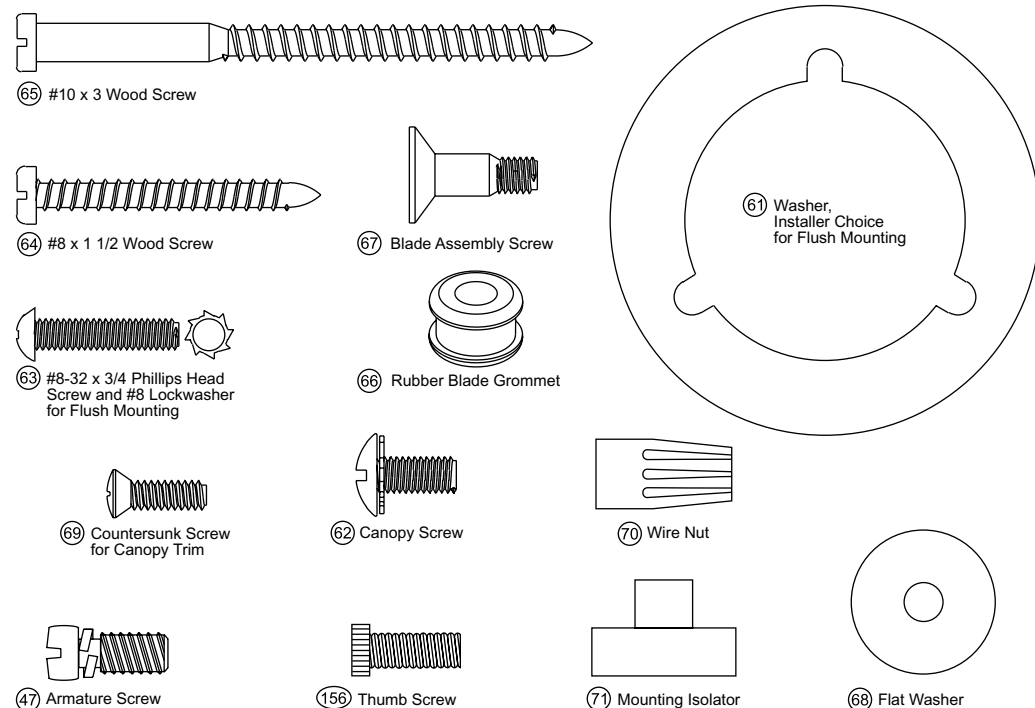
Missing / Broken Parts:
 Call 1-888-830-1326

- Fan does not work:**
1. Reference the Trouble Shooting guide in your Instruction Manual.
 2. Call your Local Service Center.
 3. Call Technical Support at 901-248-2222.

For additional information on:
 Hunter Products • Trouble Shooting
 Dealer Location • Service Center Locator
 Call 1-800-448-6837
www.hunterfan.com

Hardware

(Drawn to Scale)



Parts List

| Item # | Item Name | Qty | Model # | 21897 | 21898 | 21899 | 23710 |
|--------|--|--------|--------------|-----------------|----------------|--------------|-----------------|
| | | | Asm. Dwg. # | 92783-01 | 92783-02 | 92783-03 | 92582-01 |
| | | | Finish | Burnished Brass | Antique Copper | Bronze | Burnished Brass |
| Part # | Part # | Part # | Part # | Part # | Part # | | |
| 1 | Canopy Assembly | 1 | 92783-00-801 | 92783-00-800 | 92783-00-802 | 92783-00-801 | |
| 2 | * Hanger Bracket Assembly | 1 | 84102-01-000 | 84102-01-000 | 84102-01-000 | 84102-01-000 | |
| 3 | * Canopy | 1 | 92581-01-127 | 92581-01-193 | 92581-01-299 | 92581-01-127 | |
| 4 | * Canopy Trim Ring | 1 | 84095-01-127 | 84095-01-193 | 84095-01-299 | 84095-01-127 | |
| 7 | Hanger Pipe Assembly | 1 | 74229-03-127 | 74229-03-193 | 74229-03-299 | 74229-03-127 | |
| 10 | Motor/Housing Assembly | 1 | 92783-00-851 | 92783-00-850 | 92783-00-852 | 92783-00-851 | |
| 11 | * Hanger Adaptor | 1 | 84003-02-119 | 84003-02-119 | 84003-02-119 | 84003-02-119 | |
| 12 | * Screw, Set | 2 | 03075-03-000 | 03075-03-000 | 03075-03-000 | 03075-03-000 | |
| 16 | Housing, Top | 1 | 92578-01-127 | 92578-01-193 | 92578-01-299 | 92578-01-127 | |
| 17 | Belly Band | 1 | 92782-01-127 | 92782-01-193 | 92782-01-299 | 92782-01-127 | |
| 19 | Cover, Bottom | 1 | 92579-01-127 | 92579-01-193 | 92579-01-299 | 92579-01-127 | |
| 24 | * Screw, 6-32, 100 Degrees Countersink | 3 | 74506-88-232 | 74506-88-247 | 74506-88-247 | 74506-88-232 | |
| 26 | * Screw, Machine | 3 | 74508-36-232 | 74508-36-247 | 74508-36-247 | 74508-36-232 | |
| 30 | Switch Housing, Upper | 1 | 73792-01-127 | 73792-01-193 | 73792-01-299 | 73792-01-127 | |
| 47 | Screw, Blade Iron Armature | 11 | 63755-05-232 | 63755-05-232 | 63755-05-232 | 63755-05-232 | |
| 161 | * Socket, Polarized | 1 | 64021-01-000 | 64021-01-000 | 64021-01-000 | 64021-01-000 | |
| 49 | Light Kit Assembly | 1 | 92783-00-871 | 92783-00-870 | 92783-00-872 | 92783-00-871 | |
| 29 | * Switch Housing Cover | 1 | 84075-01-127 | 84075-01-193 | 84075-01-299 | 84075-01-127 | |
| 31 | * Switch Housing, Lower | 1 | 83905-01-127 | 83905-01-193 | 83905-01-299 | 83905-01-127 | |
| 36 | * Switch, Fan Speed Pull Chain | 1 | 63782-03-000 | 63782-03-000 | 63782-03-000 | 63782-03-000 | |
| 37 | * Switch, Reverse Assembly | 1 | 64302-01-000 | 64302-01-000 | 64302-01-000 | 64302-01-000 | |
| 38 | * Break Away Connector | 1 | 73384-01-000 | 73384-01-000 | 73384-01-000 | 73384-01-000 | |
| 39 | * Switch, Light Pull Chain | 1 | 08173-01-000 | 08173-03-000 | 08173-03-000 | 08173-01-000 | |
| 156 | Screw, Thumb | 13 | 03435-03-232 | 03435-03-247 | 03435-03-247 | 03435-03-232 | |
| 160 | * Plug, Polarized | 1 | 64020-01-000 | 64020-01-000 | 64020-01-000 | 64020-01-000 | |
| 150 | Globe/Shade | 4 | 73588-03-000 | 73588-03-000 | 73588-03-000 | 73588-03-000 | |
| 44 | Blade Iron Set | 1 | 74417-01-000 | 74417-01-000 | 74417-01-000 | 74417-01-000 | |
| 46 | Blade Set | 1 | 74296-54-000 | 74296-54-000 | 74296-53-000 | 74296-54-000 | |
| 60 | * Hardware Kit | 1 | 92783-00-861 | 92783-00-860 | 92783-00-862 | 92783-00-861 | |
| 61 | Washer, Installers Choice | 1 | 73788-01-000 | 73788-01-000 | 73788-01-000 | 73788-01-000 | |
| 62 | Screw, Canopy | 3 | 64555-01-127 | 64555-01-193 | 64555-01-299 | 64555-01-127 | |
| 63 | Screw, LP Washer | 3 | 74508-06-232 | 74508-06-232 | 74508-06-232 | 74508-06-232 | |
| 64 | Screw, Wood | 2 | 06512-01-000 | 06512-01-000 | 06512-01-000 | 06512-01-000 | |
| 65 | Screw, Wood | 2 | 03144-03-000 | 03144-03-000 | 03144-03-000 | 03144-03-000 | |
| 66 | Grommet, Blade | 16 | 05989-01-000 | 05989-01-000 | 05989-01-000 | 05989-01-000 | |
| 67 | Screw, Blade Assembly | 16 | 63730-01-247 | 63730-01-247 | 63730-01-247 | 63730-01-247 | |
| 68 | Washer, Flat | 4 | 06301-01-000 | 06301-01-000 | 06301-01-000 | 06301-01-000 | |
| 69 | Screw, Machine, 6-32 | 6 | 64555-01-127 | 64555-01-193 | 64555-01-299 | 64555-01-127 | |
| 70 | Wire Nut | 4 | 05172-01-000 | 05172-01-000 | 05172-01-000 | 05172-01-000 | |
| 71 | Mounting Isolator | 2 | 74135-01-000 | 74135-01-000 | 74135-01-000 | 74135-01-000 | |
| 75 | * Balancing Kit | 1 | 07570-01-000 | 07570-01-000 | 07570-01-000 | 07570-01-000 | |
| 91 | * Parts Guide | 1 | 98000-01-076 | 98000-01-076 | 98000-01-076 | 98000-01-076 | |
| 101 | * Owners Manual (English) | 1 | 41184-01-000 | 41184-01-000 | 41184-01-000 | 41184-01-000 | |
| 102 | * Owners Manual (Spanish) | 1 | 41184-02-000 | 41184-02-000 | 41184-02-000 | 41184-02-000 | |

Free Manuals Download Website

<http://myh66.com>

<http://usermanuals.us>

<http://www.somanuals.com>

<http://www.4manuals.cc>

<http://www.manual-lib.com>

<http://www.404manual.com>

<http://www.luxmanual.com>

<http://aubethermostatmanual.com>

Golf course search by state

<http://golfingnear.com>

Email search by domain

<http://emailbydomain.com>

Auto manuals search

<http://auto.somanuals.com>

TV manuals search

<http://tv.somanuals.com>