

A black Hunter Original ceiling fan with five wooden blades. The fan is shown from a low angle, looking up at the motor housing and blades. The motor housing has a silver label with the Hunter logo and some text. The blades are dark wood with a smooth finish. The background is a plain, light-colored wall.

# Hunter ORIGINAL<sup>®</sup>

Legendary Performance Since 1886

**For Your Records and Warranty Assistance**

Model Name: \_\_\_\_\_

Catalog/Model No.: \_\_\_\_\_

Date Purchased: \_\_\_\_\_

Where Purchased: \_\_\_\_\_

For reference also attach your receipt or a copy of your receipt to the manual.

Welcome

*Hunter*  
SINCE 1886

**READ AND SAVE THESE INSTRUCTIONS**

Your new Hunter® ceiling fan is an addition to your home or office that will provide comfort and performance for many years. This installation and operation manual gives you complete instructions for installing and operating your fan.

We are proud of our work. We appreciate the opportunity to supply you with the best ceiling fan available anywhere in the world.

Before installing your fan, for your records and warranty assistance, record the information from the carton and the Hunter nameplate label (located on the top of the fan motor housing).

**Cautions and Warnings**

- Read this entire manual carefully before beginning installation. Save these instructions.
- Use only Hunter replacement parts.
- To reduce the risk of personal injury, attach the fan directly to the support structure of the building according to these instructions, and use only the hardware supplied.
- To avoid possible electrical shock, before installing your fan, disconnect the power by turning off the circuit breakers to the outlet box and associated wall switch location. If you cannot lock the circuit breakers in the off position, securely fasten a prominent warning device, such as a tag, to the service panel.
- All wiring must be in accordance with national and local electrical codes and ANSI/NFPA 70. If you are unfamiliar with wiring, use a qualified electrician.
- To reduce the risk of personal injury, do not bend the blade attachment system when installing, balancing, or cleaning the fan. Never insert foreign objects between rotating fan blades.
- To reduce the risk of fire, electrical shock, or motor damage, do not use a solid-state speed control with this fan. Use only Hunter speed controls.
- This product conforms to UL STD 507 and is certified to STD C22.2 No.113.
- Wash your hands after your fan installation is complete.
- Use only with light kits marked suitable for damp locations.

<b>Table Of Contents</b>	
Getting Ready .....	4
Pre-Installation .....	5
Installing Ceiling Hardware .....	6
Hanging The Fan .....	7
Wiring the Fan .....	9
Installing The Canopy.....	10
Lubrication.....	11
Fan Blade Assembly .....	12
Operation And Care.....	13
Energy Star.....	14
Troubleshooting Guide.....	15

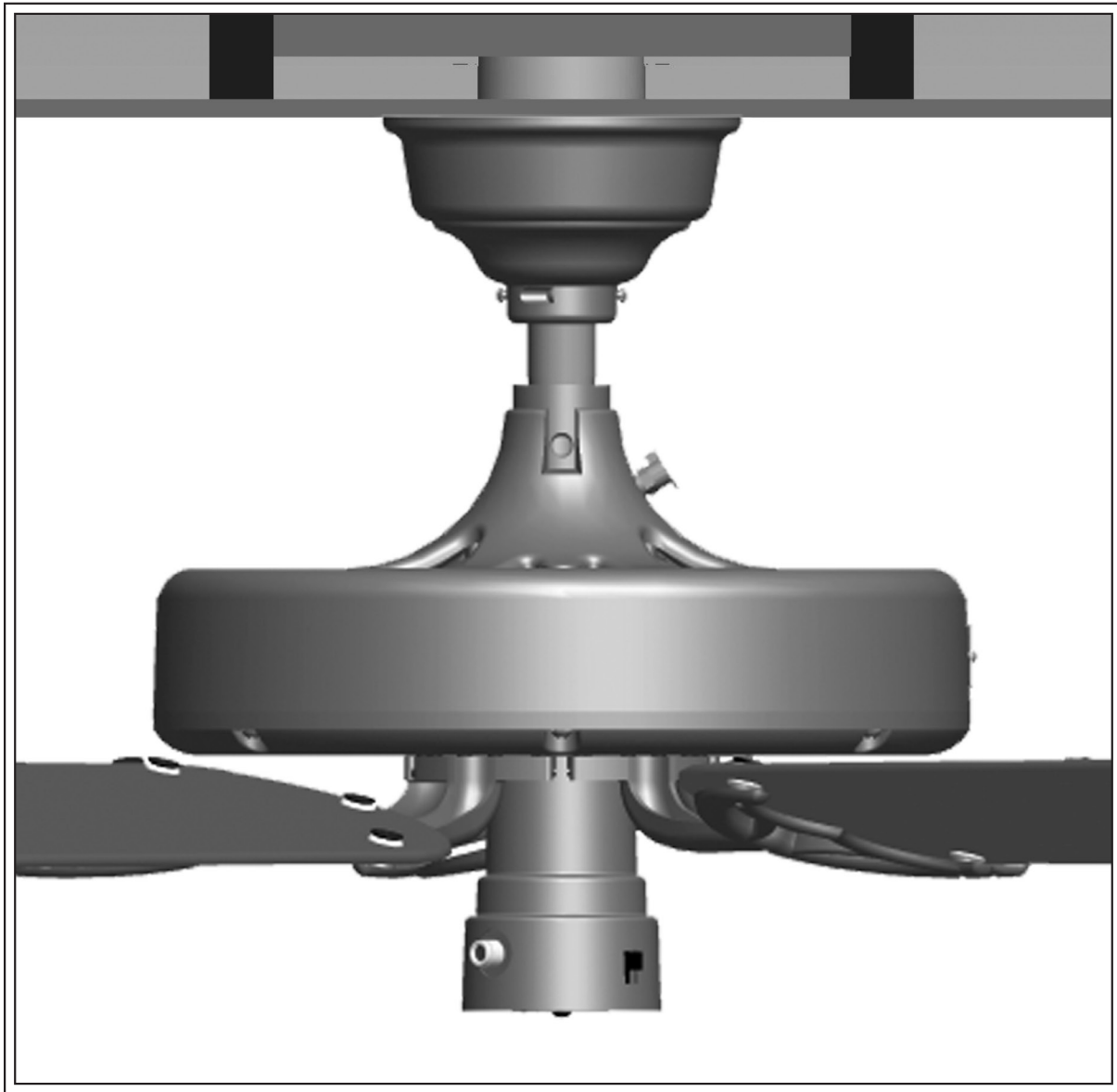
# Optional Accessories

## Understanding Mounting

Hunter's patented mounting system provides you maximum ease in installing your fan. This fan was designed to be mounted only on flat ceilings and can be used only on ceilings no less than 8 feet high.

## Considering Optional Accessories

Consider using Hunter's optional accessories, including a wall-mounted or remote speed control. To install and use the accessories, follow the instructions included with each product. For quiet and optimum performance of your Hunter fan, use only Hunter speed controls.



## Standard Mounting

hangs from the ceiling by a  
downrod (included), recommended  
for ceilings 8 feet or higher

# Getting Ready

To install a ceiling fan, be sure you can do the following:

- Locate the ceiling joist or other suitable support in ceiling.
- Drill holes for and install wood screws.
- Identify and connect electrical wires.
- Lift 70 lbs (31.8 kg) pounds.

If you need help installing the fan, your Hunter fan dealer can direct you to a licensed installer or electrician.

## Gathering the Tools

You will need the following tools for installing the fan:

- Adjustable wrench or pliers
- Electric drill with 11/64" bit
- #1 Phillips-head screwdriver (magnetic tip recommended)
- #2 Phillips-head screwdriver (magnetic tip recommended)
- Ladder (height dependent upon installation site)
- 11 mm socket wrench

## Checking Your Fan Parts

Carefully unpack your fan to avoid damage to the fan parts. Refer to the included Parts Guide. Check for any shipping damage to the motor or fan blades. If any parts are missing or damaged, contact your Hunter dealer or call Hunter Technical Support Department at 1-888-830-1326.

### **Installing Multiple Fans?**

If you are installing more than one fan, keep the blades and blade irons in sets as they were shipped.

# Pre-Installation

## Pre-Installation

Select installation site: Normally this is near the center of the room, often replacing a light fixture. Make certain that ample clearance is left for the rotating fan blades. For maximum efficiency, no obstruction (walls, posts, etc.) should be within 30" of the tips of the blades (see Fig. 1).

Your Hunter fan comes with the proper hardware to hang the fan from a 8 foot ceiling so the fan blades will be 12" from the ceiling and approximately 7 feet from the floor (see Fig. 1).

**NOTE:** On vaulted ceilings, up to 45° pitch, you may want to use the Hunter Vaulted Ceiling Mounting Kit, which can be purchased via our website or by calling 1-888-830-1326.

**CAUTION**  
NEVER LIFT THE MOTOR BY THE WIRES.  
LET MOTOR REST IN THE CARTON LINER FOR PROTECTION.

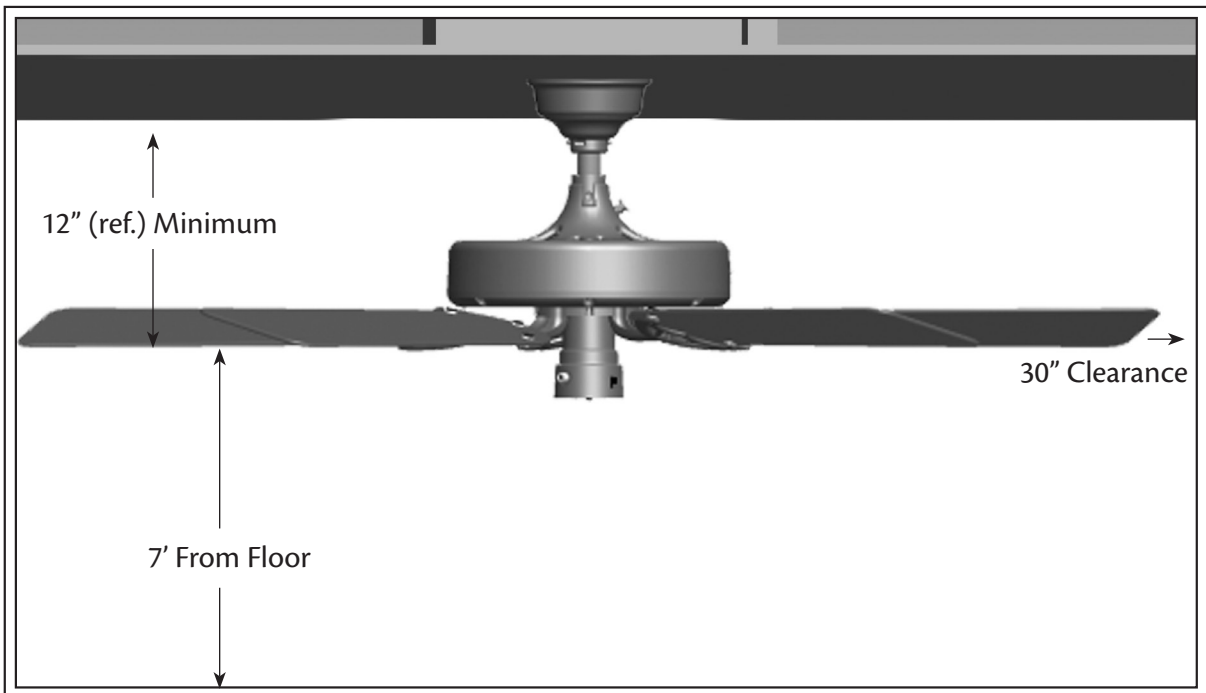
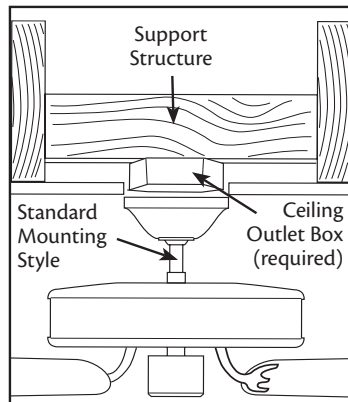


Fig. 1



Use **Standard Mounting** to hang the fan from a flat ceiling.

# Installing Ceiling Hardware

**CAUTION**  
DO NOT USE LUBRICANT ON SCREWS

1. Drill two (2) 1/4" diameter holes 2-9/16" apart through the back of the outlet box into the cross brace 2" deep. These holes are for the U-bracket bolts. Install rubber bushing and pin into the u-bracket. Use a 11 mm wrench to install the (2) 3 1/2" lag bolts, found in the ★ hardware bag, to secure the U-bracket to the joist (see Fig. 2).

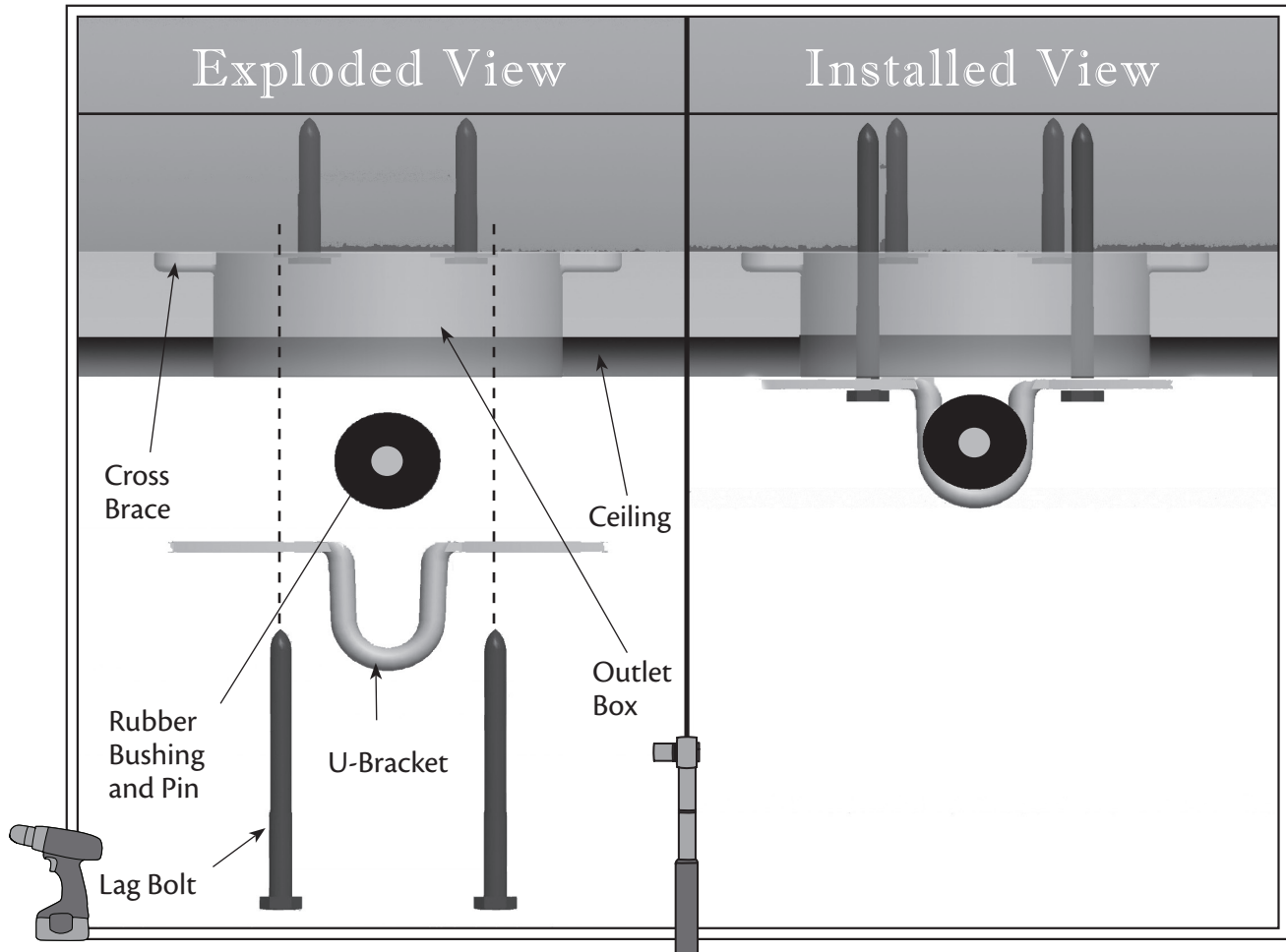
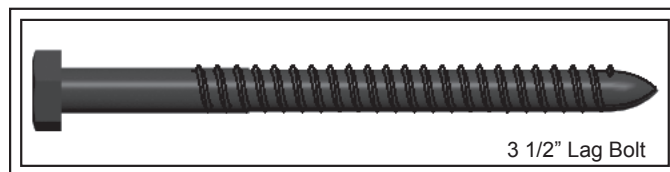


Fig. 2



# Hanging The Fan

## ⚠ CAUTION ⚠

TO SECURELY HANG THE FAN, CAREFULLY FOLLOW THE STEPS ON PAGES 7 AND 8. BE SURE TO TIGHTEN THE HANGER PIPE INTO THE FAN AND THE HANGER BRACKET ONTO THE PIPE. TIGHTEN THE 2 SET SCREWS, AS DESCRIBED IN STEP 7, TO PREVENT THE FAN FROM FALLING. YOUR FAN MAY WEIGH UP TO 50 LBS. ALL OF THE FOLLOWING STEPS MUST BE FOLLOWED IN ORDER TO ENSURE A SECURE MOUNTING.

1. Feed the wires from the top of the fan motor through the hanger pipe (see Fig. 3).
2. Loosen the motor housing set screw (do not completely remove from the fan) in the neck of the fan motor housing.
3. Screw the pipe into the fan until tight (at least 4 1/2 turns) (see Fig. 4).
4. Excess wiring can be cut, but leave at least 8" extending from the top of the downrod.

**NOTE:** Some of the pipe threads may still be visible.

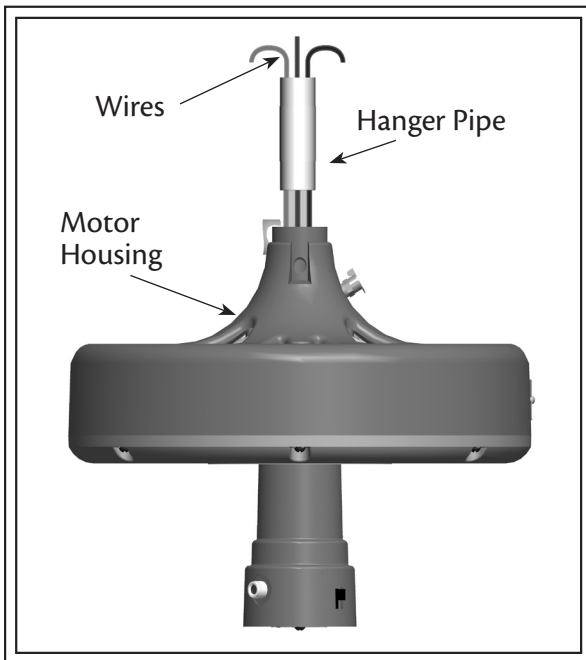


Fig. 3

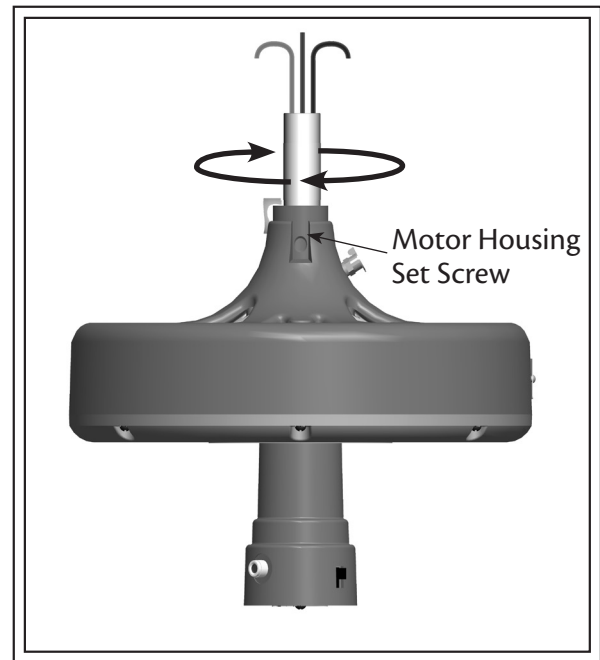


Fig. 4

# Hanging The Fan

5. Back out the set screw on the hanger bracket.
6. Feed the wires through the hanger bracket assembly and screw the hanger bracket onto the hanger pipe until tight (at least 3 turns) (see Fig. 5).
7. Use pliers to tighten both the hanger bracket assembly and the hanger pipe together.
8. Tighten the set screw in the motor housing and the hanger bracket assembly (see Fig. 6).

**NOTE:** Some of the pipe threads may still be visible.

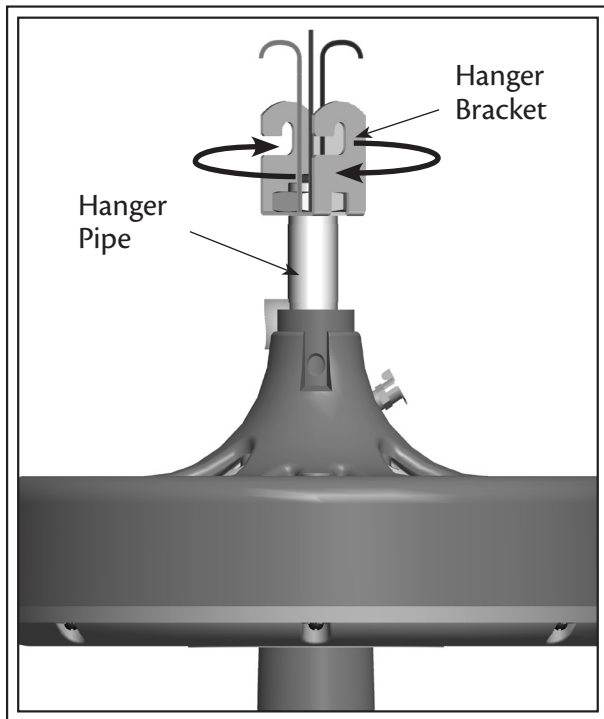


Fig. 5

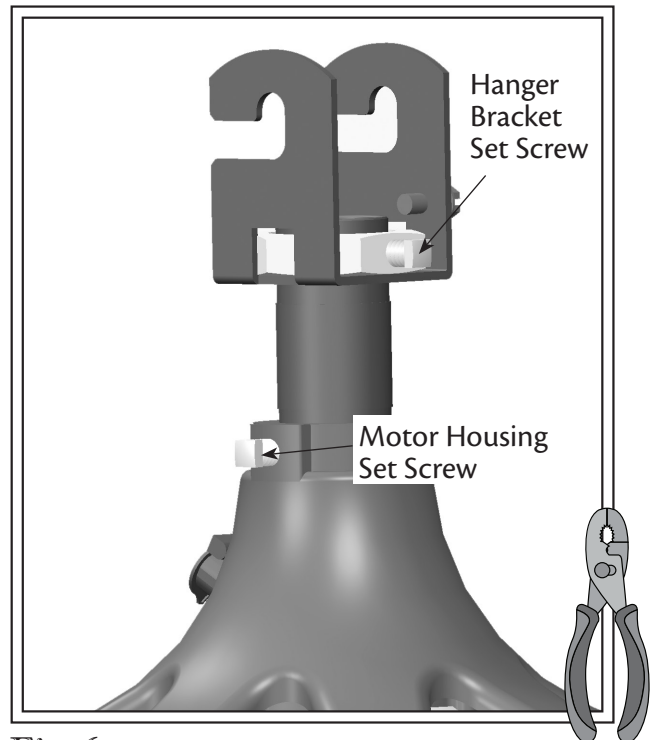


Fig. 6

9. Be sure that the pin is centered in the rubber bushing (see Fig. 7a).
10. Lift the fan by the motor housing. Hook the hanger bracket assembly onto the rubber bushing and pin. Ensure both ends of the pin are outside the hanger bracket assembly (see Fig. 7b).

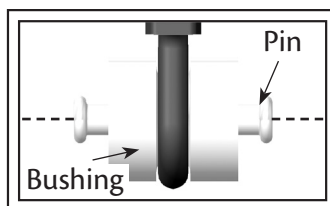


Fig. 7a

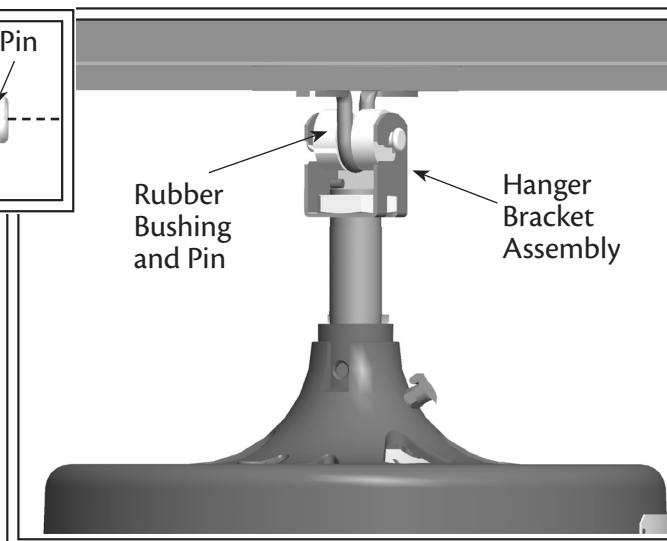


Fig. 7b



# Wiring the Fan

**⚠ CAUTION ⚠**  
**BE CERTAIN THAT THE ELECTRICITY IS TURNED OFF AT THE MAIN PANEL BEFORE STARTING THIS SECTION.**

**NOTE:** All wiring must be in accordance with national and local electrical codes and ANSI/NFPA 70-1999. If you are unfamiliar with wiring, use a qualified electrician.

Wall switches are not included. Select an acceptable general-use switch in accordance with national and local electrical codes.

1. Before attempting installation, make sure the power is still off.
2. To connect the wires, use the wire connectors provided in the ★ hardware bag. Hold the bare metal leads together and place a wire connector over them, then twist clockwise until tight.
3. Connect the bare or green ground wire (grounding) from the ceiling to the side of the hanger bracket assembly.
4. Connect the white wire (grounded) from the ceiling to the white wire (grounded) from the fan.
5. Connect the remaining wires as follows for either Dual or Single Switch Wiring:

### For Dual Switch Wiring (see Fig. 8):

- The black wire (ungrounded) from the ceiling to the black wire (ungrounded) from the fan.
- The blue wire (ungrounded) from the fan to the wire (ungrounded) from the wall switch.

### For Single Switch Wiring (see Fig. 9):

- The black wire (ungrounded) from the ceiling to the black (ungrounded) and the blue wire (ungrounded) from the fan.

**⚠ CAUTION ⚠**  
**NO BARE WIRES OR WIRE STRANDS SHOULD BE VISIBLE AFTER MAKING CONNECTIONS.**

6. Turn the splices upward and push them carefully into the outlet box.
7. Spread the wires apart, with the grounded wires on one side of the outlet box and the ungrounded wires on the other side of the outlet box.



Wire Connector

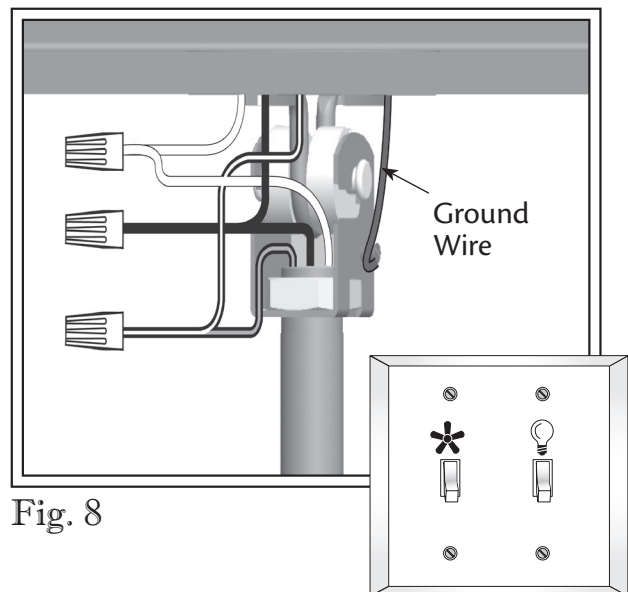


Fig. 8

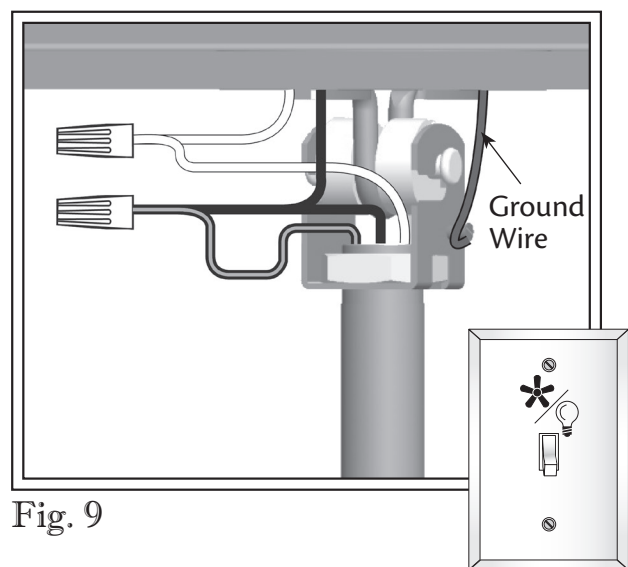


Fig. 9

# Installing The Canopy

**NOTE:** Your canopy comes pre-assembled. Uninstall the canopy screws using a #1 Phillips-head screwdriver and separate the two halves of the canopy before continuing to step 1.

1. Assemble canopy halves around pipe, and loosely install the canopy assembly screws.
2. Slide canopy up close to ceiling.
3. Tighten the canopy assembly screws (see Fig. 10) using a #2 Phillips-head screwdriver.
4. Tighten the canopy set screw (see Fig. 10) using a #1 Phillips-head screwdriver.

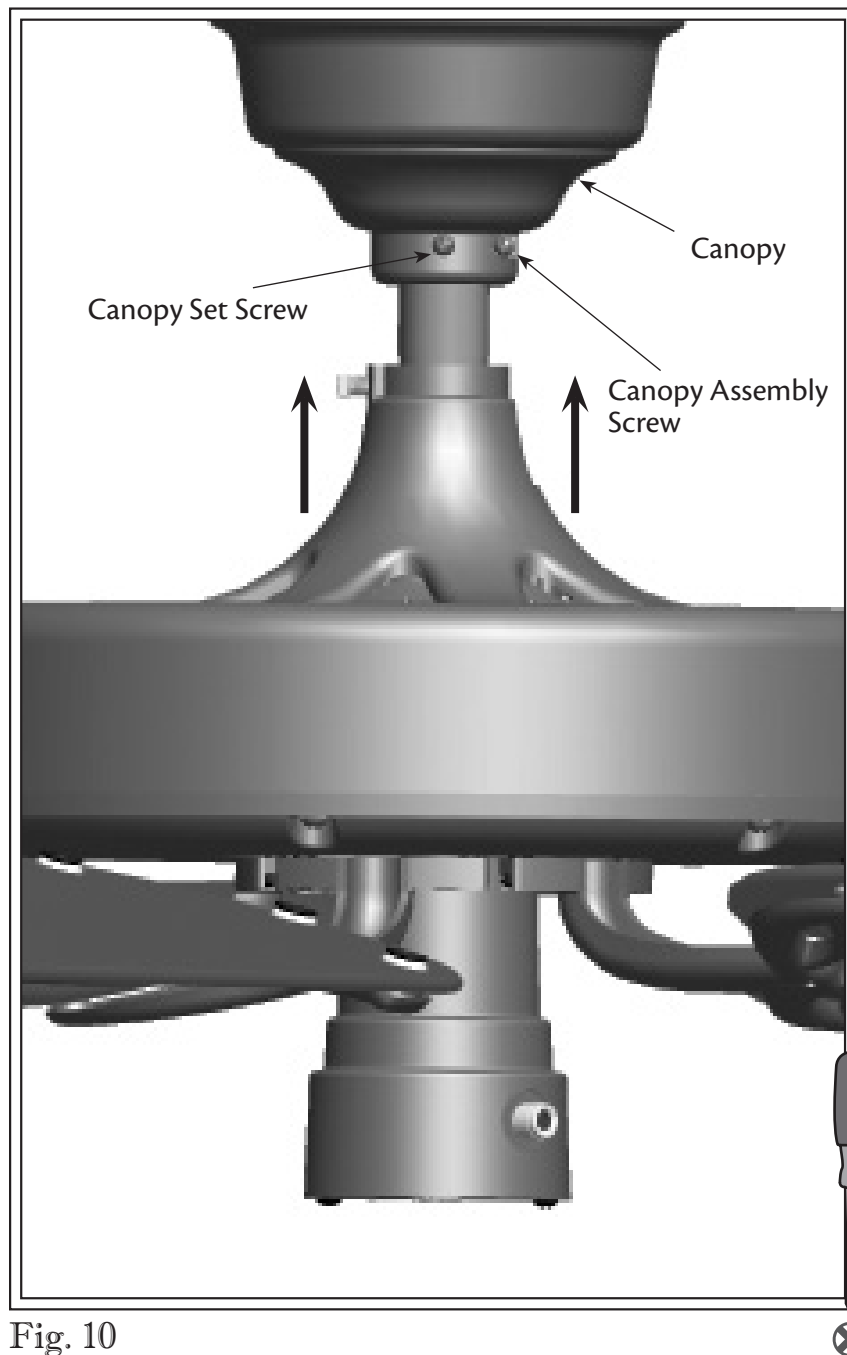


Fig. 10

# Lubrication

## ⚠ CAUTION ⚠

**DO NOT TURN FAN ON UNTIL LUBRICATION HAS BEEN ADDED. TO OPERATE THE FAN WITHOUT OIL OR WITH LOW OIL WILL VOID YOUR WARRANTY.**

### Adding Oil

**Note:** Your fan has been shipped without oil in the motor. A tube of high grade SAE 10 non-detergent oil is packaged in the hardware bag.

1. Remove cap if present.
2. Cut the tip off the end of the tube (see Fig. 11).
3. Place the tube into the oil hole and gently squeeze the tube to empty the oil into the fan's reservoir. (see Fig. 12).

**NOTE:** To avoid overflowing during filling, add a third of the oil from the tube at a time. Pause for 30 seconds between each third to allow the oil to settle in the fan. Be sure to add all of the oil in the tube to the fan.

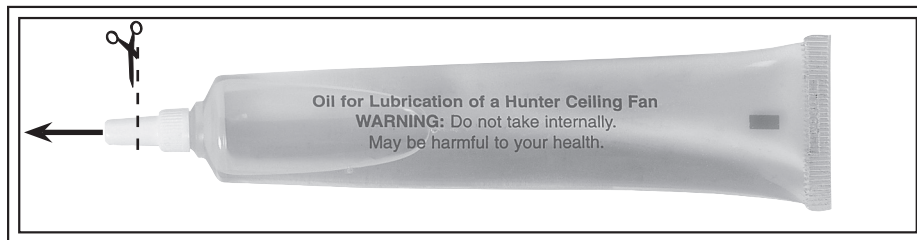


Fig. 11

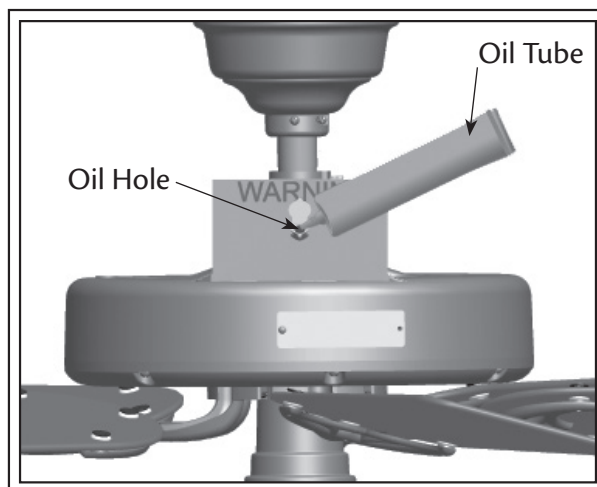


Fig. 12

### Your Original Hunter's Unique Lubricating System

The bearings in your Hunter Original Ceiling Fan are submerged in oil, which lubricates all bearing surfaces as the fan operates. We recommend periodically checking the oil to ensure the correct level is maintained. This unique lubrication system is one reason why your Hunter Original Ceiling Fan will last a lifetime.

# Fan Blade Assembly

## ⚠ CAUTION ⚠

TO REDUCE THE RISK OF PERSONAL INJURY, DO NOT BEND THE BLADE BRACKETS WHEN INSTALLING THE BRACKETS, BALANCING THE BLADES, OR CLEANING THE FAN. DO NOT INSERT FOREIGN OBJECTS IN BETWEEN ROTATING FAN BLADES.

### Fan Blade Assembly

1. Insert blade grommets, found in the ■ hardware bag, by hand into the holes on the blades (see Fig. 13).
2. Using a #2 Phillips-head screwdriver, attach each blade to a blade iron using three blade assembly screws, found in the ▲ hardware bag (see Fig. 14).
3. For each blade, insert one blade mounting screw, found in the ✕ hardware bag, through the blade iron, and attach lightly to the fan. Insert the second blade mounting screw, then securely tighten both mounting screws (See Fig. 14) using a #2 Phillips-head screwdriver.

**NOTE:** With the Hunter Original, you have an option to install either four or five blades. For five blades, mount to the outer row of holes on the motor. For four blades, use the inner row (see Fig. 15).

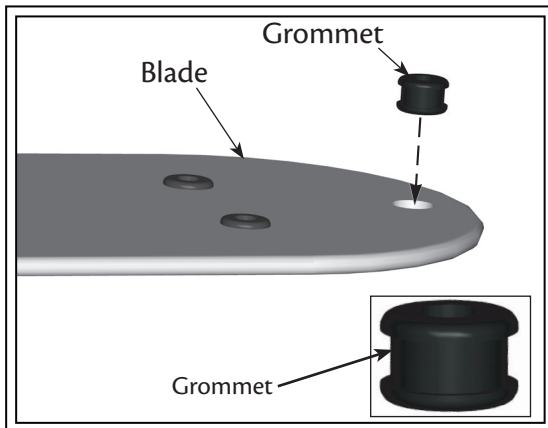


Fig. 13

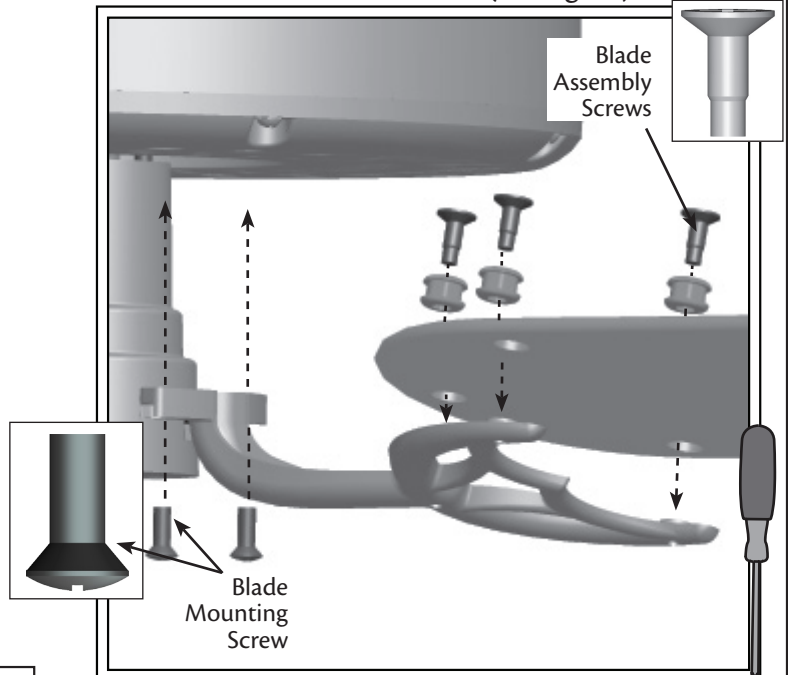


Fig. 14

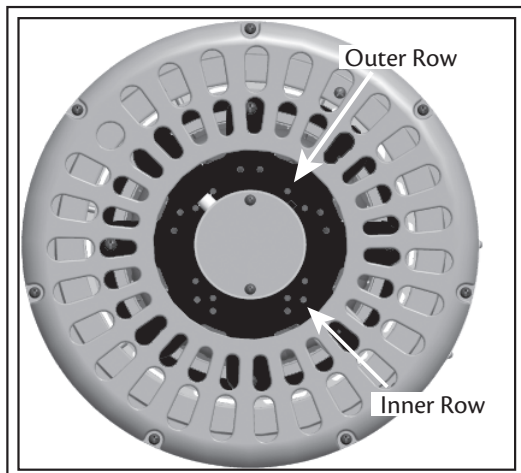


Fig. 15

# Operation And Care

1. The fan pull chain controls power to the fan. The pull chain has four settings in sequence: High, Medium, Low, and Off.
  - Pull the chain slowly to change settings.
  - Release slowly to prevent the chain from recoiling into the blades.
2. For cleaning finishes, use a soft brush or lint-free cloth to prevent scratching. A vacuum cleaner brush nozzle can remove heavier dust. Remove surface smudges or accumulated dirt and dust using a mild detergent and a slightly dampened cloth. You may use an artistic agent, but never abrasive cleaning agents as they will damage the finish.
3. Clean wood finish blades with a furniture polishing cloth. Occasionally, apply a light coat of furniture polish for added protection and beauty.

## To Reverse The Flow Of Air.

1. Move the directional lever down for down draft (see Fig. 16).
2. Move the directional lever up for up draft (see Fig. 16).

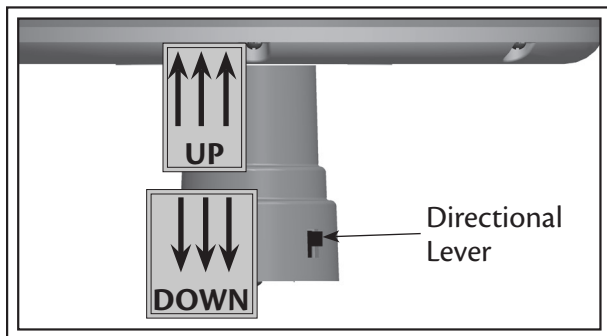


Fig. 16

## Checking Oil

1. Check oil level immediately after filling the reservoir and every 1 to 5 years thereafter.
2. To check oil, bend an ordinary pipe cleaner into 1/2" long hook and dip it into the oil reservoir (see Fig. 17).
3. If the oil touches the end of the pipe cleaner, the fan has ample oil. If it does not touch, add SAE 10 non-detergent oil slowly until it touches the pipe cleaner (see Fig. 18).

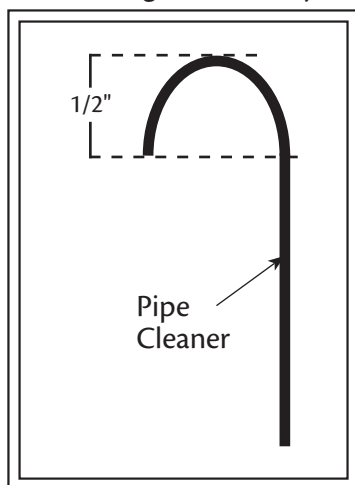


Fig. 17

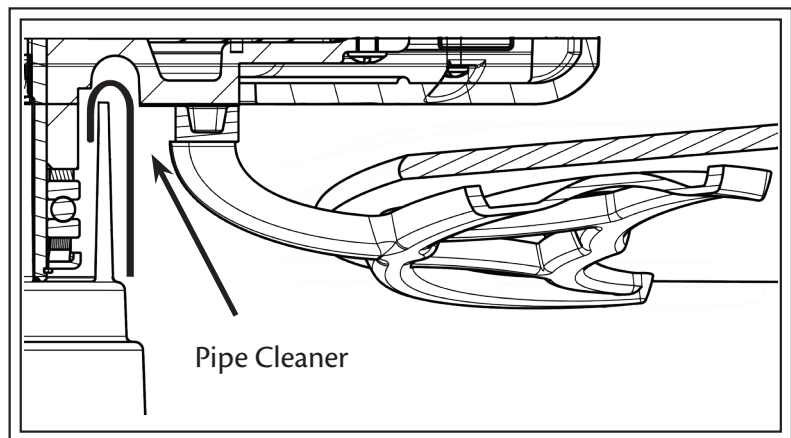
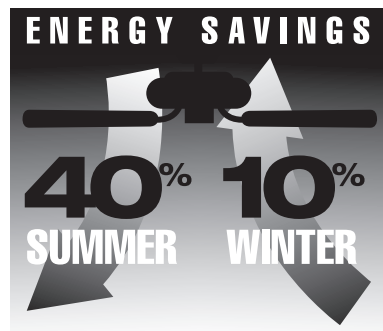


Fig. 18



Hunter fans have the power to cut your cooling costs up to 40%.

## Beat the High Cost of Cooling

The air movement created by a Hunter ceiling fan lets you set your thermostat higher and still stay comfortable. Every degree you raise the thermostat saves up to 7% on energy costs. So, you can cut back on expensive air conditioning...and save up to 40%\* on cooling. In winter, your Hunter fan recirculates warm air and saves up to 10%\* on heating bills.

\*On average at low speed settings. Your savings may vary based on climate, building type and thermostat setting.



## Save Energy and Money While Protecting the Environment

Congratulations! You're saving energy and money while protecting the environment by purchasing this ENERGY STAR qualified Hunter ceiling fan! With this purchase, you are doing your part to protect the environment. In 2010, ENERGY STAR qualified ceiling fans are projected to cut air pollution by more than 500 million pounds!

Your new ceiling fan has earned the ENERGY STAR label because it meets high energy efficiency specifications set by the Environmental Protection Agency (EPA). ENERGY STAR labeled ceiling fans save energy because they have more efficient fan motors and air delivery due to more aerodynamic blade configurations. Ceiling fan models bearing the ENERGY STAR label move air 14-20% more efficiently than typical ceiling fan models. For more information on ENERGY STAR visit [www.energystar.gov](http://www.energystar.gov).

# Troubleshooting Guide

**Problem: Nothing happens; fan does not move.**

1. Turn power on, replace fuse, or reset breaker.
2. Check all connections according to the wiring the fan section.
3. Pull the pull chain to ensure it is on.

**Problem: Noisy operation.**

1. Tighten the blade assembly screws until snug.
2. Check to see if the blade is cracked. If so, replace all the blades.

**Problem: Excessive wobbling.**

1. If your fan wobbles when operating, use the enclosed balancing kit and instructions to balance the fan.

If you need parts or service assistance, please call  
1-888-830-1326 or visit us at our WEB site at  
<http://www.hunterfan.com>.

Hunter Fan Company  
7130 Goodlett Farms Pkwy. #400  
Memphis, Tennessee 38016

## Free Manuals Download Website

<http://myh66.com>

<http://usermanuals.us>

<http://www.somanuals.com>

<http://www.4manuals.cc>

<http://www.manual-lib.com>

<http://www.404manual.com>

<http://www.luxmanual.com>

<http://aubethermostatmanual.com>

Golf course search by state

<http://golfingnear.com>

Email search by domain

<http://emailbydomain.com>

Auto manuals search

<http://auto.somanuals.com>

TV manuals search

<http://tv.somanuals.com>