



The SUMMER BREEZE Collection

Indoor/Outdoor Pedestal Fan



ENGLISH
See page 1

ESPAÑOL
Vea la página 15

FRANÇAIS
Consulter la page 29

OWNER'S GUIDE FOR MODELS 9015X & 9017X

IMPORTANT SAFETY INFORMATION

Read & Save These Instructions

! CAUTION

When using electrical appliances, basic precautions should always be taken to reduce the risk of fire, electric shock and personal injury:

1. Read all instructions before using this fan.
2. Improper assembly may result in the risk of fire, electric shock or personal injury.
3. The power plug must be removed from the power socket when not in use, before cleaning, servicing, maintenance and before moving to another location.
4. Place the fan on a flat, dry, stable surface to avoid tipping over.
5. Use fan only for intended use, as described in this instruction manual.
6. To protect against electrical shock, use fan with only GFCI protected receptacles when using the fan in damp or outdoor locations.
7. NEVER insert fingers, pencils or any other objects through the grille.
8. DO NOT operate this fan:
 - if the cord is damaged
 - if the fan malfunctions
 - if the fan has been dropped or damaged in any way
9. To disconnect, grip plug and pull from wall outlet. NEVER yank on cord.
10. This product is intended for household use only and not for commercial or industrial use.
11. DO NOT operate fan in the presence of explosive and/or flammable fumes.
12. DO NOT place fan or any parts near an open flame, cooking or any other heating appliances.
13. DO NOT use near curtains, plants, window treatments, etc.
14. Never operate the fan if the grills are not properly installed. Operating the fan without the grills could result in serious injury.
15. The appliance is not intended for use by young children or infirm persons without supervision. Young children should be supervised to ensure that they do not play with the appliance.
16. This appliance has a grounded three-prong plug and is suitable for grounded receptacle use only. An adapter is available for connecting three-blade grounding-type plugs to two-slot receptacles. The adapter must be properly grounded. DO NOT attempt to defeat the purpose of this safety feature.

WELCOME

Thank you for choosing a Hunter Pedestal Fan. This manual gives you complete instructions for using your fan. Here are some the features you will enjoy with your fan:

- An attractive design that enhances any decor
- A powerful Hunter motor for maximum air flow
- Three speeds to adjust your comfort level

Before using your fan, record the following information for your records and for warranty assistance.

Model Name _____

Date Code _____

Date Purchased _____

Where Purchased _____

Please attach your receipt or a copy of your receipt to this manual for future reference.

UNPACKING

As you unpack the fan, save the carton and packing materials in case you want to move or ship the unit in the future.

Carefully remove all items from the box.

NOTE: *It is best to have someone hold the box while you lift the fan and the protective packaging out of the carton.*

Make sure all shipping materials are removed from fan before operating.

TOOLS NEEDED

- Adjustable wrench
- Phillips screwdriver

GROUNDING INSTRUCTIONS

This appliance is for household use only and may be plugged into any 120-volt AC electrical outlet (ordinary household current). DO NOT use any other type of outlet.

! WARNING

This unit is suitable for grounded receptacle use only.

The power cord has a grounded plug as shown in Figure 1A. The fan must be plugged into an electrical outlet that can accommodate the grounding pin. If your electrical outlet can not accommodate the grounding pin, then you must purchase and install one of the two types of adapters shown in Figure 1B.

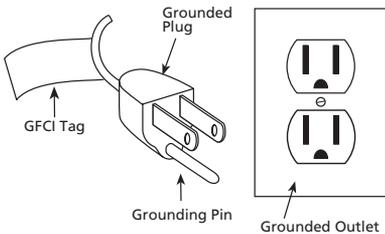


FIGURE 1A

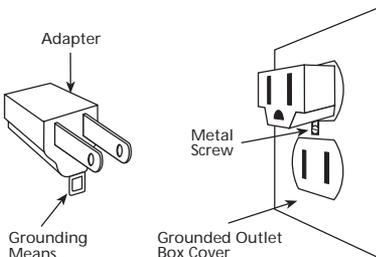


FIGURE 1B

! WARNING

If this fan is to be used outdoors or in a damp or wet location, then it must be plugged into a Ground Fault Circuit Interrupter (GFCI) receptacle.

When the fan is used outdoors or in a damp or wet location, it must be plugged into a Ground Fault Circuit Interrupter (GFCI) receptacle. See Figure 1C.

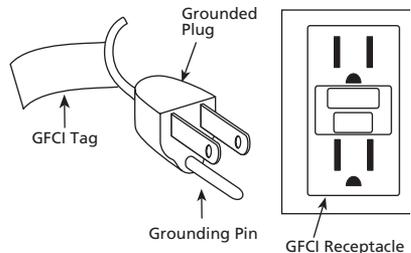


FIGURE 1C

! WARNING

To reduce the risk of fire or electric shock, do not use this fan with any solid-state speed control device.

LINE CORD SAFETY TIPS

1. NEVER pull or yank on the cord or the appliance.
2. To insert plug, grasp it firmly and guide it into the outlet.
3. To disconnect the appliance, grasp the plug and remove it from the outlet.
4. Before each use, inspect the line cord for cuts and/or abrasion marks. If any are found, the appliance should be serviced and the line cord replaced. Please return it to our Service Department or to an authorized service representative.
5. NEVER wrap the cord tightly around the appliance, as this could place undue stress on the cord where it enters the appliance and could cause it to fray and break.
6. DO NOT operate appliance if the line cord shows any damage, if the appliance works intermittently or stops working entirely.
7. DO NOT use an extension cord with this fan.

PREPARATION

1. For Model 9017X, remove the plastic sleeve from the bottom of the Telescoping Pole.

NOTE: *Assembly of this fan will be easier if performed by two people.*

1. Slide the Cover Support Cap over the bottom of the Telescoping Pole. See Figure 1.

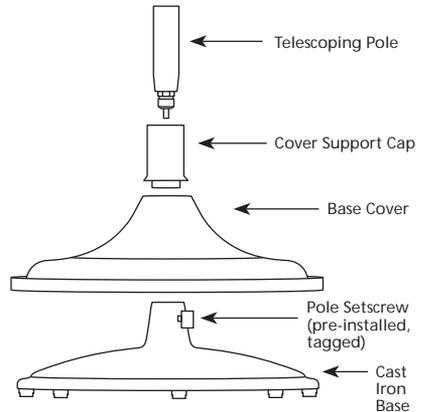


FIGURE 1

2. Insert the bottom of the Telescoping Pole through the Base Cover. See Figure 1.
3. Place the bottom of the Telescoping Pole into the Cast Iron Base, making sure the plug connector from the bottom of the Telescoping Pole goes through the Cast Iron Base. Twist the Telescoping Pole clockwise to secure it into the Cast Iron Base.
4. Locate the Pole Setscrew (pre-installed, tagged) in the neck of the Cast Iron Base. See Figure 1.
5. Use an adjustable wrench to tighten the Pole Setscrew (pre-inserted, tagged) until it seats firmly against the Telescoping Pole. See Figure 1.

6. Lower the Base Cover over the Cast Iron Base. See Figure 1.
7. Twist the Cover Support Cap clockwise into the Cast Iron Base until it is tight. See Figure 1.
8. Carefully lean the entire assembly over so it rests on its side on the floor.
9. Remove one of the four Cover Assembly Screws from the bottom of the Cast Iron Base and loosen the three remaining Cover Assembly Screws. See Figure 2.
10. Connect the plugs coming from the bottom of the Telescoping Pole and the inside of the Electrical Cover.
11. Place the Electrical Cover against the bottom of the Cast Iron Base and align the Keyslots in the Electrical Cover with the three loosened Cover Assembly Screws. Rotate the Electrical Cover counterclockwise. See Figure 2.
12. Install the fourth Cover Assembly Screw. Tighten all four Cover Assembly Screws to attach the Electrical Cover to the bottom of the Cast Iron Base.

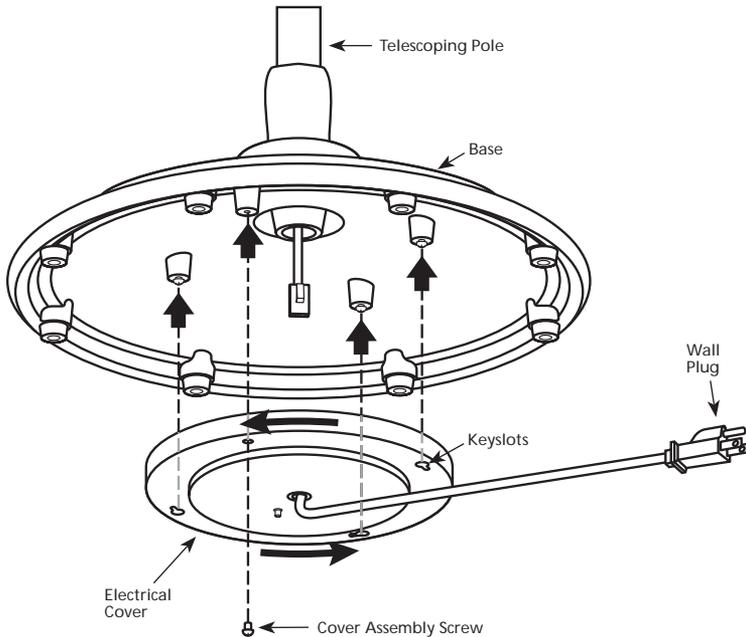


FIGURE 2

13. Hold the wall plug out of the way and stand the fan upright.
14. Loosen the Height Adjustment Grip on the Telescoping Pole by turning it counterclockwise. See Figure 3. Raise the Telescoping Pole approximately 10 inches. Turn the Height Adjustment Grip clockwise to set the height of the Telescoping Pole.
15. Remove the Motor Mount Setscrew (pre-loaded and tagged) and set it aside for later reinstallation. See Figure 3.

16. Connect the plugs coming from the bottom of the Motor Mount and the top of the Telescoping Pole. See Figure 4.

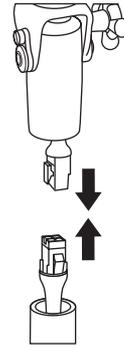


FIGURE 4

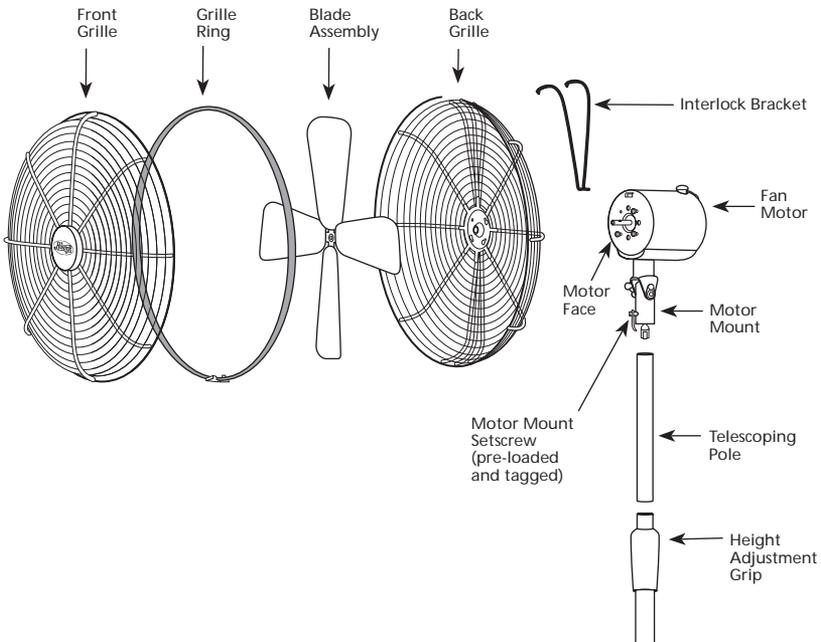
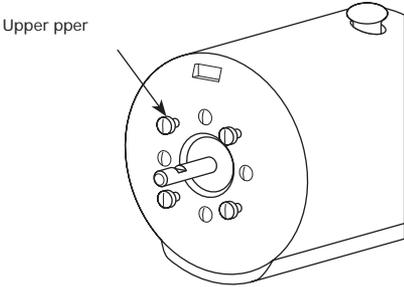


FIGURE 3



20. Align the three keyhole slots in the Back Grille with the three remaining Grille Mounting Screws in the Motor Face, and place the Back Grille onto the Motor Face, ensuring that the Grille Mounting Screw washers are between the screw head and the Back Grille. If necessary, loosen the three remaining Grille Mounting Screws. See Figure 7.

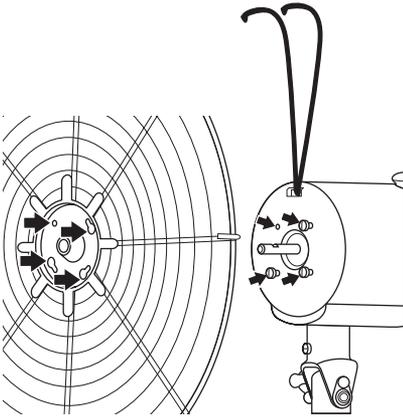


FIGURE 7

21. Rotate the Back Grille clockwise to situate the screws in the narrow ends of the keyhole slots.
22. Reinstall and tighten the Upper Left Grille Mounting Screw and tighten the remaining three remaining Grille Mounting Screws.

23. Loosen the Blade Assembly Setscrew so that it does not protrude into the inside of the Blade Assembly Sleeve. See Figure 8.

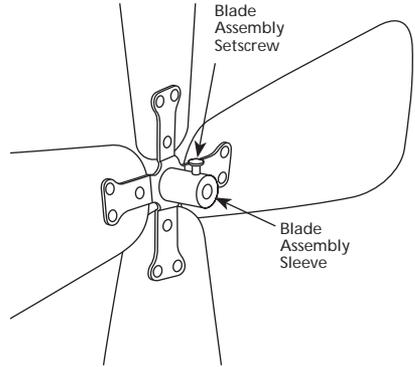


FIGURE 8

24. Slide the Blade Assembly Sleeve over the Motor Shaft, ensuring the Blade Assembly Screw is positioned over the Flat Portion of the Motor Shaft. See Figure 9. Tighten the Blade Assembly Set-screw so that it seats against the Flat Portion of the Motor Shaft. Gently pull the Blade Assembly to ensure it is secure on the Motor Shaft.

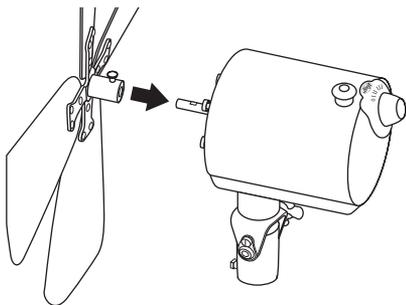


FIGURE 9

NOTE: For clarity, the Back Grille and Interlock Bracket have been removed from Figure 9 to show the Blade Assembly Sleeve/Motor Shaft installation.

25. With the Hunter logo facing forward and upright, engage the tabs on the lower part of the Front Grille into the rim of the Back Grille, as shown in Figure 10, arrow 1. Then, move the top of the Front Grille as shown in Figure 10, arrow 2, so that the tab at the top of the Front Grille snaps under the rim of the Back Grille.

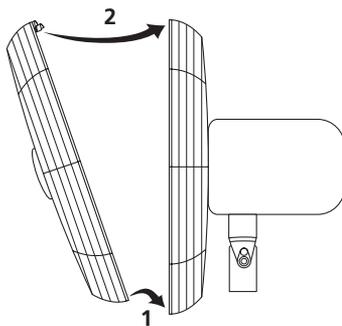


FIGURE 10

26. Align the two ends of the Interlock Bracket with the two notches in the tab on top of the Front Grille. Press the two ends of the Interlock Bracket into the two notches of the tab on the top of the Front Grille. See Figure 11.

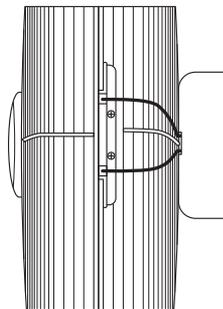


FIGURE 11

OPERATION

27. Place the Grille Ring over the Front and Back Grille rims, positioning the opening of the Grille Ring at the bottom of the Front and Back Grille rims. Bring the two ends of the Grille Ring together, and secure them with Grille Ring Latch. See Figure 12.



This appliance is for household use only.

1. Place the fan on a dry, safe, flat surface where it cannot fall or be pulled by the cord.
2. The Power/Speed Control should always be OFF before plugging or unplugging the fan. Plug the fan into a grounded 120-volt AC electrical outlet (ordinary household current). DO NOT use any other type of outlet. Make sure that the rated voltage of the fan is the same as the power source before plugging it into the power source.
3. Use the Power/Speed Control to turn the fan "ON" or "OFF". See Figure 13.
4. To select the speed, move the Power/Speed Control from OFF to the desired speed setting: O (off), I (low), II (medium), III (High). See Figure 13.

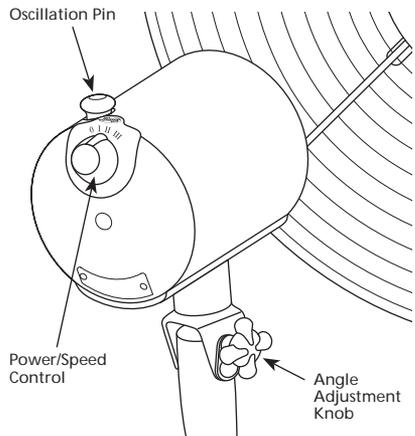


FIGURE 13

5. To adjust the upward or downward flow of air, loosen the Angle Adjustment Knob beneath the Fan Motor. See Figure 13. Position the fan to the desired angle, and tighten the Angle Adjust knob.
6. To make the fan oscillate, push the Oscillation Pin down. To stop the fan from oscillating, pull the Oscillation Pin up. See Figure 13.
7. To adjust the height of your fan, hold the Telescoping Pole securely with one hand, and twist the Height Adjustment Grip counterclockwise. While supporting the fan motor, raise or lower the Telescoping Pole to the desired height, then tighten the Height Adjustment Grip.

MAINTENANCE

This fan is permanently lubricated and will not require additional lubrication (oil) for the life of the fan.

This fan requires little maintenance and contains no user serviceable parts. DO NOT try to fix it yourself. Contact qualified service personnel if servicing is needed.

TO CLEAN:

1. Before cleaning, turn the fan off and remove the plug from electrical outlet. Wipe off excess dust with a lint-free cloth.
2. DO NOT immerse the fan in water or any other liquid.

CLEANING GRILLE AND BLADES

1. Turn the fan off and remove the plug from the electrical outlet.
2. To disassemble the Grille, unlatch the Grille Ring Latch, remove the Grille Ring and the Interlock Bracket.
3. Loosen the Blade Assembly Setscrew and slide the Blade Assembly off of the Motor Shaft.
4. The Grilles and the Blade Assembly may be cleaned with mild soap and water.
5. Use a soft, slightly damp cloth to wipe the remaining fan parts.
6. When the Blade Assembly and Grilles have dried completely, reassemble the fan following assembly steps 18 - 27 of this manual.
7. DO NOT plug fan into an electrical outlet until it has been fully reassembled.

1. To store the fan, disassemble the Front and Back Grilles, remove the Blade Assembly, and clean the entire fan with a damp cloth.
2. ALWAYS store the fan in a dry place.
3. NEVER store the fan while it is still plugged in.
4. NEVER wrap the cord tightly around the fan.
5. DO NOT put any stress on the cord where it enters the fan, as it could cause the cord to break.

PROBLEM

- Fan will not work.

SOLUTION

- Make sure the Interlock Bracket is properly installed as directed in the assembly instructions. See page 9.

PROBLEM

- Fan will not oscillate.

SOLUTION

- Push down the Oscillation Pin on top of motor housing to activate oscillation. See page 11.

PROBLEM

- Can not adjust the angle of the fan.

SOLUTION

- Loosen the Angle Adjustment Knob on the side of the fan neck. Adjust to the desired angle and tighten the knob. See page 11.

If you have tried these troubleshooting solutions and still have trouble, visit our Web site at <http://www.hunterfan.com>.



HUNTER FAN COMPANY
2500 FRISCO AVENUE
MEMPHIS, TN 38114, USA



La colección
SUMMER BREEZE

Ventilador de pedestal para interiores/exteriores



ESPAÑOL

MANUAL DE PROPIETARIO
PARA LOS MODELOS 9015X ET 9017X

IMPORTANTE INFORMACIÓN DE SEGURIDAD

Lea y guarde estas instrucciones

! PRECAUCIÓN

Al utilizar aparatos eléctricos, siempre deben tomarse precauciones básicas para reducir el peligro de incendio, choque eléctrico y lesiones personales:

1. Lea todas las instrucciones antes de usar este ventilador.
2. Un ensamblaje incorrecto puede causar el riesgo de incendio, choque eléctrico o de lesiones personales.
3. Debe retirarse el enchufe de la toma de alimentación cuando no esté en uso, antes de la limpieza, servicio o mantenimiento, y antes de mover el ventilador a otra ubicación.
4. Coloque el ventilador en una superficie plana, seca y estable para evitar que se vuelque.
5. Emplee el ventilador sólo para su uso previsto, tal como se describe en el manual de instrucciones.
6. Para proteger contra choque eléctrico, use el ventilador sólo con receptáculos con protección GFCI cuando use el ventilador en ubicaciones húmedas o en exteriores
7. JAMÁS introduzca los dedos, ni lápices u otros objetos por la rejilla.
8. NO opere este ventilador:
 - Si el cordón está dañado
 - Si el ventilador falla
 - Si el ventilador se ha caído o dañado de alguna manera
9. Para desconectarlo, tome el enchufe y tire de él para retirarlo de la toma de corriente de pared. NUNCA tire bruscamente del cordón.
10. Este producto está diseñado para uso doméstico solamente y no para uso comercial ni industrial.
11. NO opere el ventilador en presencia de vapores explosivos y/o inflamables.
12. NO coloque el ventilador ni ninguno de sus componentes cerca de algún fuego abierto, una cocina o algún otro aparato calefactor.
13. NO lo use cerca de cortinas, plantas, persianas, etc.
14. Jamás opere el ventilador si las rejillas no están instaladas correctamente. La operación del ventilador sin las rejillas puede producir lesiones graves.
15. Este artefacto no está diseñado para ser usado por niños o personas enfermas sin supervisión. Los niños deben ser supervisados para asegurarse que no jueguen con el artefacto.
16. Este aparato tiene un enchufe de tres clavijas para conexión a tierra y sólo se puede usar en un tomacorriente conectado a tierra. Existen adaptadores disponibles para conectar un enchufe de tres clavijas a un tomacorriente de dos ranuras. Estos adaptadores deben estar conectados a tierra correctamente. NO trate de inhabilitar esta característica de seguridad.

Gracias por elegir el ventilador de pedestal Century de Hunter. Este manual le proporciona instrucciones completas para el uso de su ventilador. Esas son algunas de las características que usted disfrutará con su ventilador:

- Un diseño atractivo que mejora su decoración
- Un potente motor Hunter para máximo flujo de aire
- Tres velocidades para ajustar su nivel de comodidad

Antes de usar su ventilador, anote la siguiente información para sus registros y para el caso en que requiera hacer efectiva su garantía.

Nombre de modelo _____

Código de fecha _____

Fecha de compra _____

Lugar de compra _____

Adjunte su recibo o una copia a este manual para futura referencia.

Cuando desembale el ventilador, guarde la caja y los materiales de embalaje para el caso de que desee mover o embarcar la unidad posteriormente.

Retire cuidadosamente todos los artículos de la caja.

NOTA: *Es mejor que alguna persona sostenga la caja mientras usted levanta el ventilador y la envoltura de protección fuera de la caja de cartón.*

Asegúrese que todos los materiales de despacho sean retirados del ventilador antes de su operación.

HERRAMIENTAS NECESARIAS

- Llave ajustable
- Destornillador estrella (Philips)

INSTRUCCIONES DE PUESTA A TIERRA

Este aparato es para uso casero solamente y se puede enchufar en cualquier tomacorriente de 120 voltios, corriente alterna (c.a.) (voltaje residencial normal). NO use ningún otro tipo de tomacorriente.

! ADVERTENCIA

Esta unidad se puede enchufar solamente en un tomacorriente del tipo conectado a tierra.

El cordón eléctrico tiene un enchufe conectado a tierra como se muestra en la Figura 1A, y debe usarse con un tomacorriente que puede acomodar la clavija de tierra. Si su tomacorriente no puede hacerlo, debe adquirir e instalar uno de los dos tipos de adaptadores mostrados en la Figura 1B.

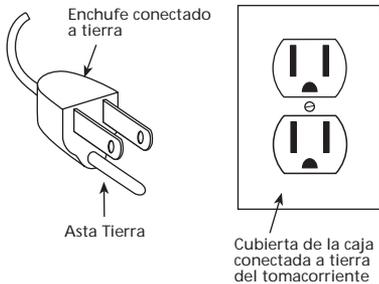


FIGURA 1A

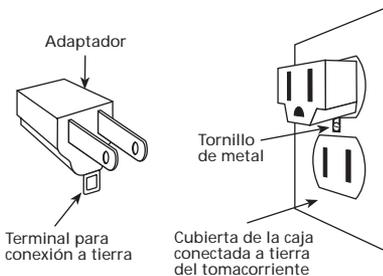


FIGURA 1B

! WARNING

Si va a usar esta unidad en exteriores o en un lugar húmedo o mojado, se debe conectar a un receptáculo con interruptor automático por falla de puesta a tierra (GFCI).

Si va a usar esta unidad en exteriores o en un lugar húmedo o mojado, se debe conectar a un receptáculo con interruptor automático por falla de puesta a tierra (GFCI). Vea la Figura 1C.

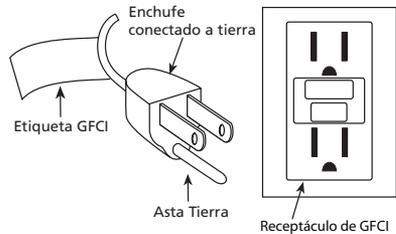


FIGURA 1C

! WARNING

Para reducir el riesgo de incendio o choque eléctrico, no use este ventilador con ningún dispositivo para control de velocidad de estado sólido.

CONSEJOS DE SEGURIDAD PARA EL CORDÓN ELÉCTRICO

1. NUNCA tire del cordón del aparato eléctrico.
2. Para insertar el enchufe, agárrelo firmemente y guíelo hacia dentro del tomacorriente.
3. Para desconectar el aparato, agarre el enchufe y sáquelo del tomacorriente.
4. Antes de cada uso, inspeccione el cordón eléctrico para ver si tiene alguna cortadura o marca de abrasión. Si encuentra alguna, el aparato debe recibir servicio y el cordón se debe cambiar. Por favor, devuelva el ventilador a nuestro Departamento de Servicio o a un representante autorizado de servicio.
5. NUNCA enrolle el cordón de forma apretada alrededor del ventilador, ya que eso pone mucha tensión sobre el cordón en el punto donde entra en el aparato y pudiera causar daños o ruptura en el aislamiento del cordón.
6. NO opere el ventilador si el cordón eléctrico muestra cualquier señal de estar dañado, si el ventilador trabaja de forma intermitente o si deja de funcionar completamente.

PREPARACIÓN

1. Para el Modelo 9017X, retire la manga plástica de la parte inferior del tubo telescópico.

NOTA: *Este ventilador se ensambla más fácilmente entre dos personas.*

1. Deslice la tapa de apoyo de la cubierta sobre la parte inferior del tubo telescópico. Vea la Figura 1.

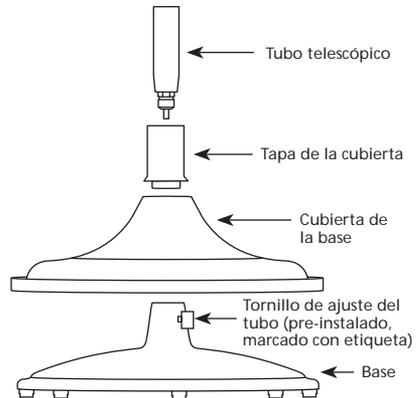


FIGURA 1

2. Introduzca la parte inferior del tubo telescópico a través de la cubierta de la base.
3. Retire el tornillo de ajuste del tubo (preinstalado y etiquetado). Coloque la parte inferior del tubo telescópico en la base, asegurándose que el conector pase desde el fondo del tubo a través de la base. Gire el tubo telescópico en sentido horario para asegurarlo en la base.
4. Ubique el tornillo de ajuste del tubo (pre-instalado y etiquetado) en el cuello de la base. Vea la Figura 1.
5. Use una llave ajustable para apretar el tornillo de ajuste (etiquetado y pre-instalado) hasta que se detenga firmemente contra el tubo telescópico. Vea la Figura 1.

6. Baje la cubierta sobre la base. Vea la Figura 1.
7. Gire la tapa de apoyo de la cubierta en el sentido horario hasta que la base esté apretada. Vea la Figura 1.
8. Apoye cuidadosamente todo el conjunto de manera que descansa lateralmente en el suelo.
9. Retire uno de los cuatro tornillos de montaje de la cubierta de la parte inferior de la base y afloje los tres tornillos restantes. Vea la Figura 2.
10. Conecte los enchufes que salen de la parte inferior del tubo telescópico y del interior de la cubierta eléctrica.
11. Coloque la cubierta eléctrica contra la parte inferior de la base y alinee las ranuras de bocallave en la cubierta eléctrica con los tres tornillos de montaje aflojados en la cubierta de la base. Gire la cubierta eléctrica en sentido antihorario. Vea la Figura 2.
12. Instale el cuarto tornillo de montaje de la cubierta. Apriete los cuatro tornillos de montaje para fijar la cubierta eléctrica a la parte inferior de la base.

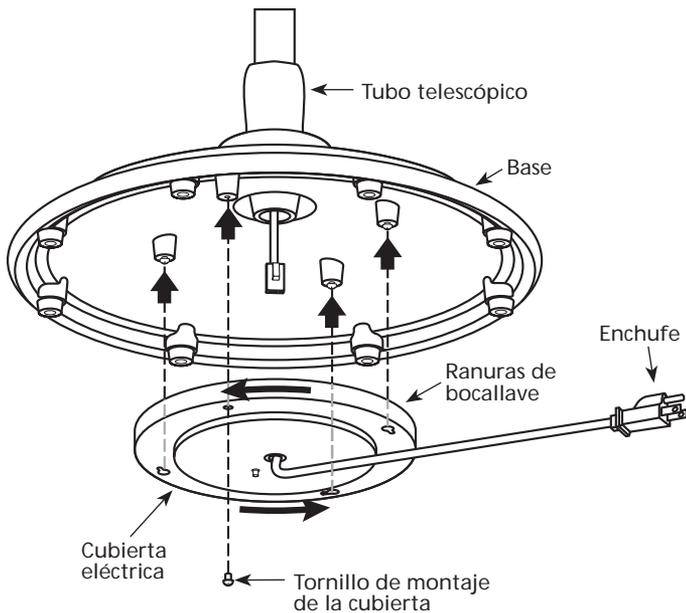


FIGURA 2

13. Haga a un lado el enchufe que va a la pared y coloque el ventilador verticalmente.
14. Afloje la empuñadura de ajuste de la altura en el tubo telescópico girándola en sentido antihorario. Vea la Figura 3. Levante el tubo telescópico aproximadamente 10 pulgadas (25 cm). Gire la empuñadura de ajuste de altura en sentido horario para fijar la altura del tubo telescópico.
15. Retire el tornillo de ajuste del soporte del motor (pre-instalado y etiquetado) y guárdelo para su reinstalación posterior. Vea la Figura 3.

16. Conecte los enchufes que salen de la parte inferior del soporte del motor y de la parte superior del tubo telescópico. Vea la Figura 4.

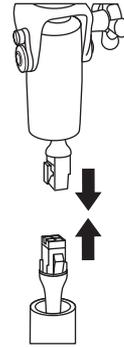


FIGURA 4

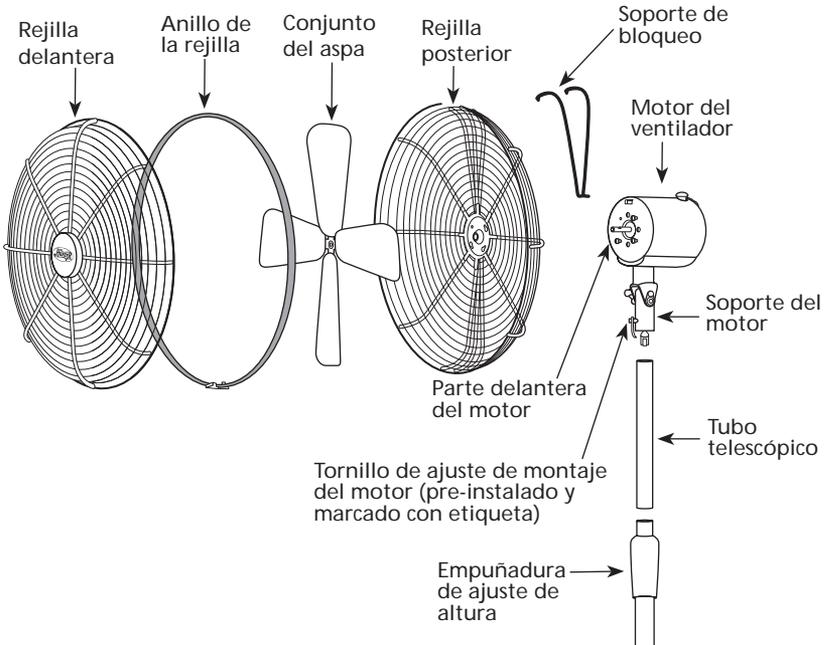


FIGURA 3

17. Inserte la parte roscada del tubo telescópico en el soporte del motor. Vea la Figura 3. Gire el motor o el tubo telescópico para apretar la unión, y reinstale el tornillo de ajuste del soporte del motor para sujetar el motor al tubo telescópico.
18. Retire el tornillo de montaje superior izquierdo de la parte delantera del motor. Vea la Figura 5. Afloje los tres tornillos restantes de montaje de la rejilla.

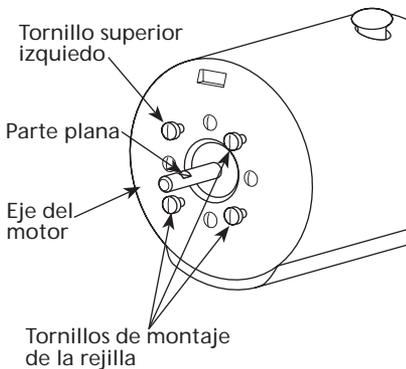


FIGURA 5

ATENCIÓN: Este ventilador tiene un interruptor de seguridad incorporado que no le permitirá operar a menos que la rejilla esté totalmente ensamblada a la parte delantera del motor y que el soporte de bloqueo esté colocado en su lugar.

19. Instale el soporte de bloqueo como se muestra en la Figura 6. NOTA: NO retire la protección de caucho del agujero en la parte delantera del motor. Introduzca la parte inferior del soporte de bloqueo en la abertura recubierta con la protección de caucho.

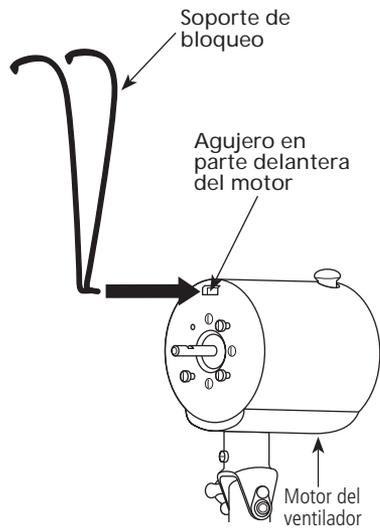


FIGURA 6

20. Alinee las tres ranuras de bocallave en la rejilla posterior con los tres tornillos restantes en la parte delantera del motor y coloque la rejilla nuevamente en la parte delantera del motor, asegurando que las arandelas estén entre la cabeza del tornillo y la rejilla posterior. Vea la Figura 7.

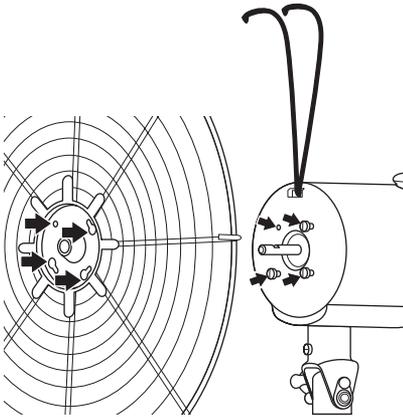


FIGURA 7

21. Gire la rejilla posterior en sentido horario para colocar los tornillos en los extremos angostos de las ranuras de bocallave.
22. Reinstale y apriete el tornillo de montaje superior izquierdo y apriete los tres tornillos de montaje restantes.

23. Afloje el tornillo de ajuste del conjunto del aspa de modo que no sobresalga del interior del manguito del conjunto del aspa. Vea la Figura 8.

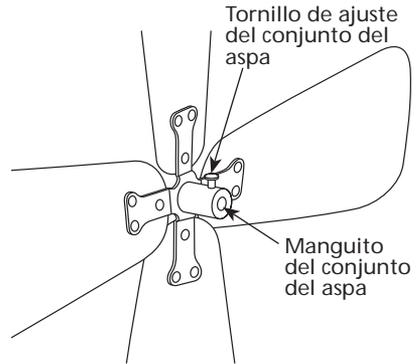


FIGURA 8

24. Deslice el manguito del conjunto de aspa sobre el eje del motor, asegurando que el tornillo de montaje de aspa se ubique en la parte plana de eje del motor. Vea la Figura 9. Apriete el tornillo de ajuste del conjunto de aspa de modo que asiente contra la parte plana del eje del motor. Suavemente tire del conjunto del aspa para asegurar que esté seguro en el eje del motor.

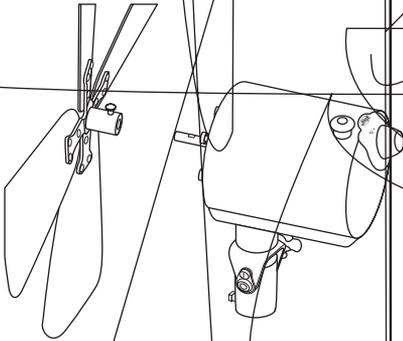


FIGURA 9

NOTA: Por fines de claridad, la rejilla posterior y el soporte de bloqueo ha sido retirada de la Figura 9 para mostrar la instalación del manguito / eje del motor del conjunto del aspa.

25. Con el logotipo de Hunter hacia adelante y hacia arriba, conecte las lengüetas de la parte inferior de la rejilla delantera en el borde de la rejilla posterior, como se muestra en la Figura 10, flecha 1. Luego, mueva la parte superior de la rejilla delantera como se muestra en la Figura 10 flecha 2 de modo que la lengüeta de la parte superior de la rejilla delantera se enganche en el borde de la rejilla posterior.

26. Alinee los dos extremos en el soporte de bloqueo con las dos ranuras en la lengüeta en la parte superior de la rejilla delantera. Presione los dos extremos del soporte de bloqueo dentro de las dos ranuras en la lengüeta en la parte superior de la rejilla delantera. Vea la Figura 11.

27. Coloque el anillo de la rejilla sobre los dos bordes de las rejillas delantera y posterior, ubicando la abertura del anillo en la parte inferior de los bordes de las rejillas delantera y posterior. Una los dos extremos del anillo de la rejilla y fíjelos con un seguro de anillo de rejilla. Vea la Figura 12.



Este artefacto está diseñado sólo para uso doméstico.

1. Coloque el ventilador en una superficie seca, segura y plana donde no pueda caerse ni ser tirada por el cordón.
2. Conecte el ventilador en una toma de corriente de 120 voltios de corriente alterna (salida típica doméstica) NO use ningún otro tipo de salida. Asegúrese que el voltaje nominal del ventilador sea el mismo que el de la fuente de alimentación antes de conectarlo en la toma de corriente.
3. Encienda ("ON") o apague ("OFF") el ventilador girando el control de potencia / velocidad en sentido horario o antihorario. Vea la Figura 13. La energía siempre debe estar apagada (OFF) antes de desconectar el ventilador.
4. Para seleccionar la velocidad, mueva el control de potencia/velocidad desde OFF hasta el ajuste de velocidad deseado: 0 (Apagado), I (Baja), II (Media), III (Alta).

5. Para ajustar el flujo de aire hacia arriba o hacia abajo, afloje la perilla de regulación de ángulo debajo del motor. Vea la Figura 13. Coloque el ventilador en la posición deseada y apriete la perilla de regulación de ángulo.
6. Para hacer que el ventilador oscile, empuje hacia abajo el pasador. Para que el ventilador deje de oscilar, tire del pasador de oscilación hacia arriba. Vea la Figura 13.
7. Para ajustar la altura del ventilador, sostenga firmemente el tubo telescópico con una mano y gire la empuñadura de ajuste de altura en sentido antihorario. Mientras soporta el motor, levante o baje el tubo telescópico hasta la altura deseada y luego apriete la empuñadura de ajuste.

MANTENIMIENTO

Este ventilador está lubricado permanentemente y no requerirá lubricación adicional (aceite) durante la vida del ventilador.

Este ventilador necesita poco mantenimiento y no contiene componentes reparables por el usuario. NO trate de repararlo usted mismo. Contacte personal de servicio calificado si requiere mantenimiento.

PARA LIMPIAR:

1. Antes de limpiarlo, apague el ventilador y desconéctelo de la

2. NO sumerja el ventilador en agua ni en ningún otro líquido.

LIMPIEZA DE REJILLA Y ASPAS:

1. Apague el ventilador y desconéctelo de la toma de corriente.
2. Para desmontar la rejilla, retire el seguro del anillo de rejilla, el anillo de rejilla y el soporte de bloqueo.
3. Afloje el tornillo de ajuste del conjunto del aspa y deslice dicho conjunto fuera del eje del motor.
4. Las parrillas y las aspas pueden limpiarse con una solución jabonosa suave y agua.
5. Use un paño suave y ligeramente húmedo para limpiar las demás partes del ventilador.
6. Cuando el conjunto del aspa y las rejillas se ha secado completamente, reensamble el ventilador según los pasos 18 - 27 de ensamblaje de este manual.
7. NO conecte el ventilador en una toma de corriente hasta que se haya ensamblado por completo nuevamente.



HUNTER FAN COMPANY
2500 FRISCO AVENUE
MEMPHIS, TN 38114, USA

Impreso en China

1. Para almacenar el ventilador, desmonte las rejillas frontal y posterior, quite el conjunto del aspa y limpie todo el ventilador con un paño húmedo.
2. SIEMPRE guarde el ventilador en un lugar seco.
3. NUNCA guarde el ventilador mientras esté conectado.
4. NUNCA enrolle el cordón en forma ajustada alrededor del ventilador.
5. NO aplique ninguna tensión sobre el cordón en el punto donde ingresa al ventilador, ya que podría causar que el cordón se rompa.

PROBLEMA

- El ventilador no funciona.

SOLUCIÓN

- Asegúrese que el interruptor de enclavamiento esté correctamente instalado y tal como se indica en las instrucciones de ensamblaje. (vea la página 22).

PROBLEMA

- El ventilador no oscila.

SOLUCIÓN

- Empuje hacia abajo la perilla de la parte superior del alojamiento del motor para activar la oscilación. (vea la página 25).

PROBLEMA

- No se puede ajustar el ángulo del ventilador.

SOLUCIÓN

- Afloje el tornillo en el lado del cuello del ventilador. Ajuste al ángulo deseado y apriete el tornillo. (vea la página 25).

Si ha aplicado esta guía de solución de problemas, y el problema persiste, visite nuestro sitio web en <http://www.hunterfan.com>.



HUNTER FAN COMPANY
2500 FRISCO AVENUE
MEMPHIS, TN 38114, USA



La collection
SUMMER BREEZE
ventilateur sur pied intérieur/extérieur



FRANÇAIS

GUIDE DE L'UTILISATEUR
POUR LES MODÈLES 9015X ET 9017X

IMPORTANTES INFORMATIONS DE SECURITE

Lisez et conservez ces instructions

! ATTENTION

Lors de l'utilisation d'appareils électriques, il faut toujours prendre des précautions pour réduire le risque d'incendie, de choc électrique et de blessure personnelle.

1. Lire toutes ces consignes avant d'utiliser ce ventilateur.
2. Un mauvais montage peut entraîner le risque d'incendie, de choc électrique et de blessure personnelle.
3. Il faut débrancher la fiche de la prise de courant quand il ne sert pas, avant de le nettoyer, le réparer ou l'entretenir et avant de le déplacer.
4. Poser le ventilateur sur une surface plane, sèche et stable pour éviter qu'il ne bascule.
5. Se servir ventilateur pour l'usage prévu comme le décrit ce mode d'emploi.
6. To protect against electrical shock, use fan with only GFCI protected receptacles when using the fan in damp or outdoor locations."
7. NE JAMAIS introduire les doigts, des crayons ou tout autre objet dans la grille.
8. NE PAS faire fonctionner ce ventilateur :
 - Si le cordon est endommagé
 - Si le ventilateur fonctionne mal
 - si le ventilateur est tombé ou a été endommagé d'une quelconque manière
9. Pour le débrancher, saisir la fiche et la tirer de la prise murale. NE JAMAIS tirer sur le cordon.

10. Ce produit est destiné uniquement à un usage ménager et non à un usage commercial ou industriel.
11. NE PAS faire fonctionner le ventilateur en présence d'explosifs ou de vapeurs inflammables.
12. NE PAS mettre le ventilateur ou des pièces près d'une flamme allumée, des appareils de cuisson ou de chauffage.
13. NE PAS utiliser près de rideaux, de plantes ou de garnitures de fenêtres, etc.
14. Ne jamais faire fonctionner le ventilateur si les grilles en sont pas correctement installées. Faire fonctionner le ventilateur sans les grilles peut entraîner de sérieuses blessures.
15. Des enfants ou des personnes handicapées ne doivent pas utiliser ce ventilateur sans supervision. Il faut surveiller les enfants afin qu'ils ne jouent pas avec le ventilateur.
16. Cet appareil dispose d'une fiche tripolaire et est uniquement compatible avec une prise mise à la terre. Un adaptateur est disponible pour brancher les fiches tripolaires avec mise à la terre à des prises bipolaires. L'adaptateur doit être correctement mis à la terre. NE PAS essayer de contourner cette caractéristique de sécurité.

Merci d'avoir choisi le ventilateur sur pied Century de Hunter. Dans ce manuel, vous trouverez toutes les consignes d'utilisation de votre ventilateur. Voici quelques-unes des caractéristiques que vous offre votre ventilateur.

- Un design attrayant qui rehausse tout décor
- Un puissant moteur Hunter pour une circulation d'air optimale
- Trois vitesses pour régler votre niveau de confort

Avant d'utiliser votre ventilateur, enregistrer les renseignements suivants pour vos dossiers et l'assistance à la garantie.

Nom du modèle _____

Code de date _____

Date d'achat _____

Lieu de l'achat _____

S.V.P. joindre votre reçu
ou une copie de votre
reçu à ce manuel pour
référence future.

Lors du déballage de ventilateur, conserver le carton et les matériaux d'emballage au cas où vous voudriez transporter ou expédier cette unité ultérieurement.

Faire attention en retirant tous les articles de la boîte.

NOTA : *Il est préférable que quelqu'un tienne la boîte pendant que vous soulevez le ventilateur et les emballages protecteurs hors du carton.*

Assurez-vous d'avoir retiré tous les matériaux d'expédition avant de le faire fonctionner.

OUTILS NÉCESSAIRES

- Clé ajustable
- Tournevis Phillips

INSTRUCTIONS DE MISE À LA TERRE

Il faut brancher cet appareil, destiné uniquement à un usage ménager dans une prise électrique de 120 v CA (courant ordinaire). NE PAS se servir d'un autre type de prise.

! MISE EN GARDE :

Cette unité n'est compatible qu'avec une prise mise à la terre.

Le cordon d'alimentation dispose d'une fiche mise à la terre comme le montre la Figure 1A et il faut utiliser une prise de courant capable de recevoir la broche de mise à la terre. Si votre prise électrique ne peut pas recevoir la broche de mise à la terre, vous devrez alors acheter et installer un des deux types d'adaptateurs montrés à la Figure 1B.

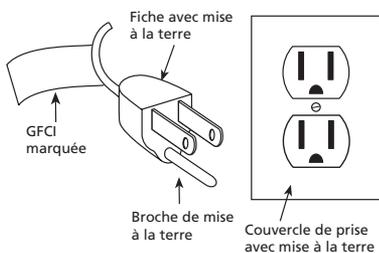


FIGURE 1A

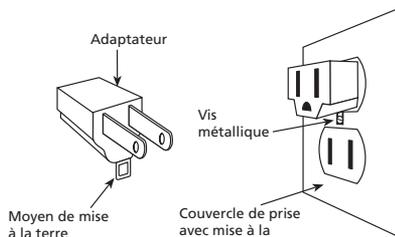


FIGURE 1B

! MISE EN GARDE :

En cas d'utilisation de cet appareil à l'extérieur ou dans un endroit humide ou mouillé, il doit être branché dans une prise avec disjoncteur de fuite à la terre.

En cas d'utilisation de cet appareil à l'extérieur ou dans un endroit humide ou mouillé, il doit être branché dans une prise avec disjoncteur de fuite à la terre. Voir Figure 1C.

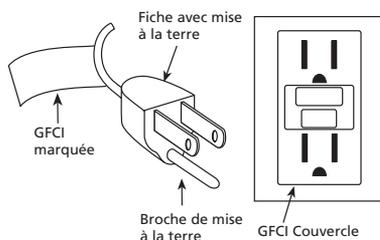


FIGURE 1C

! WARNING

Pour réduire le risque d'incendie ou de choc électrique, ne pas utiliser ce ventilateur avec une commande de vitesse à semi-conducteurs.

ASSEMBLAGE

CONSEILS DE SÉCURITÉ POUR LE CORDON D'ALIMENTATION

1. NE JAMAIS tirer ou arracher le cordon ou l'appareil.
2. Pour introduire la fiche, la saisir fermement et la guider dans la prise.
3. Pour débrancher l'appareil, saisir la fiche et la retirer de la prise.
4. Avant chaque utilisation, examiner le cordon d'alimentation à la recherche de coupures ou de marques d'abrasion. Si vous en trouvez, il faut réparer l'appareil et remplacer le cordon. Veuillez le retourner à notre service de réparations ou à un représentant de service autorisé.
5. NE JAMAIS enrouler serrer le cordon autour de l'appareil car cela pourrait tendre le cordon de façon excessive à son entrée dans l'appareil et entraîner son effilochage ou sa rupture.
6. NE PAS faire fonctionner l'appareil si le cordon est endommagé, si l'appareil fonctionne de façon intermittente ou arrête de fonctionner.

PRÉPARATION

1. Dans le cas du modèle 9017X, retirer le manchon de plastique au bas de la tige télescopique.

1. Faire glisser le capuchon du support de couvercle à la base de la tringle télescopique. Voir Figure 1.

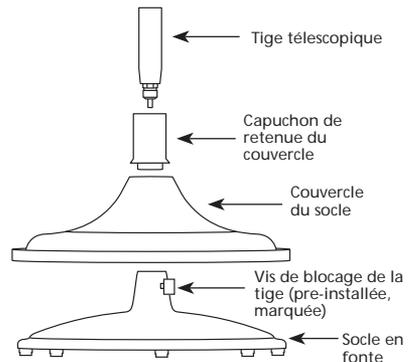


FIGURE 1

2. Introduire la base de la tige télescopique dans le couvercle du socle. Voir Figure 1.
3. Introduire l'extrémité inférieure de la tringle télescopique dans le socle en fonte, en vous assurant que le connecteur au bas de la tringle passe dans le socle. Faire tourner la tringle télescopique dans le sens horaire pour la fixer dans le socle.
4. Repérer la vis de blocage de la tringle (pré-installée et marquée) sur le col du socle en fonte. Voir Figure 1.
5. Utiliser une clé ajustable pour serrer la vis de blocage (pré-insérée et marquée) jusqu'à ce qu'elle bute contre la tringle télescopique. Voir Figure 1.

- Reposer le couvercle du socle en fonte sur celui-ci. Voir Figure 1.
- Faire tourner le capuchon du support de couvercle dans le sens horaire dans le socle de fonte jusqu'à ce qu'il soit serré. Voir Figure 1.
- Abaisser avec précaution l'assemblage complet de façon à ce qu'il soit posé sur le côté sur le sol.
- Retirer de la base du socle une des quatre vis d'assemblage du couvercle et desserrer les trois autres. Voir Figure 2.
- Connecter les fiches sortant de la base de la tringle télescopique et de l'intérieur du couvercle électrique.
- Placer le couvercle électrique contre la base du socle en fonte et aligner les encoches en trou de serrure du couvercle électrique avec les trois vis d'assemblage du couvercle desserrées. Faites tourner le couvercle électrique dans le sens antihoraire. Voir Figure 2.
- Poser la quatrième vis d'assemblage du couvercle. Fixer le couvercle électrique au socle en fonte en serrant bien les quatre vis d'assemblage du couvercle.

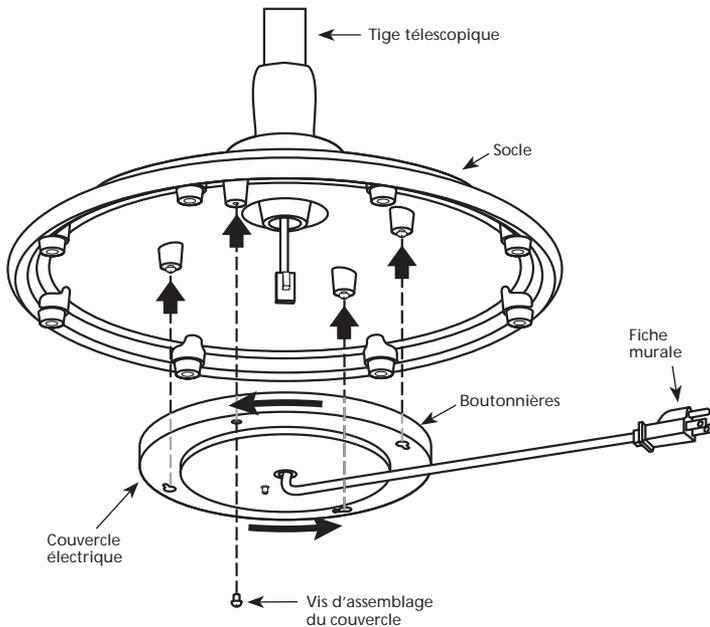


FIGURE 2

13. Écarter de la prise murale et mettre le ventilateur debout.
14. Desserrer la bague de réglage de la hauteur sur la tringle télescopique en la tournant dans le sens antihoraire. Voir Figure 3. Allonger la tringle télescopique d'environ 25 cm (10 po). Tourner la bague de réglage dans le sens horaire pour fixer la position de la tringle télescopique.
15. Retirer la vis de blocage de la monture du moteur (pré-installée et marquée) et la mettre de côté pour une réinstallation ultérieure. Voir Figure 3.

16. Connecter les fiches sortant de la base de la monture du moteur et du sommet de la tringle télescopique. Voir Figure 4.

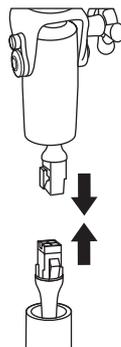


FIGURE 4

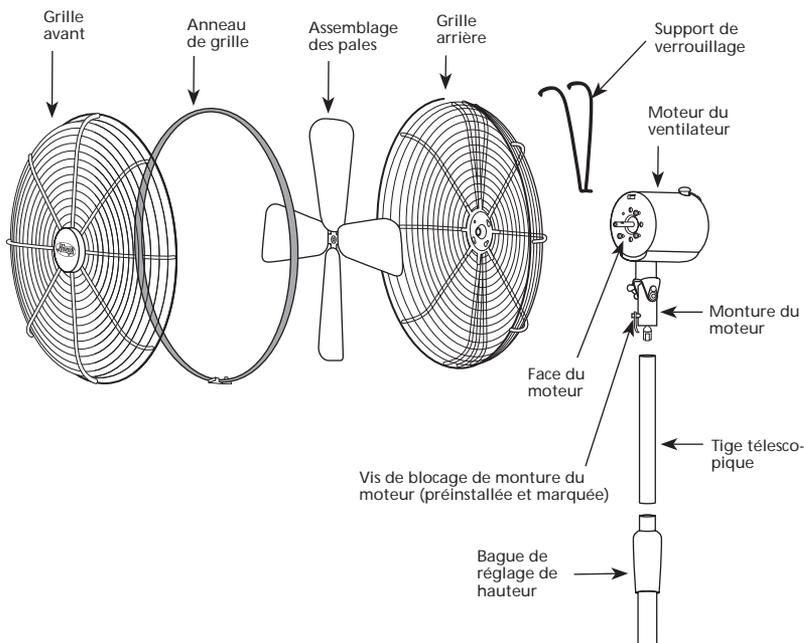


FIGURE 3

17. Introduire la partie filetée de la tringle télescopique dans la monture du moteur. Voir Figure 3. Tourner le moteur du ventilateur ou la tringle télescopique pour serrer le joint; réinstaller la vis de blocage de la monture du moteur pour fixer le moteur du ventilateur à la tringle télescopique.
18. Retirer de la face du moteur la vis supérieure gauche de fixation de la grille. Voir Figure 5. Desserrer les trois autres vis de fixation de la grille.

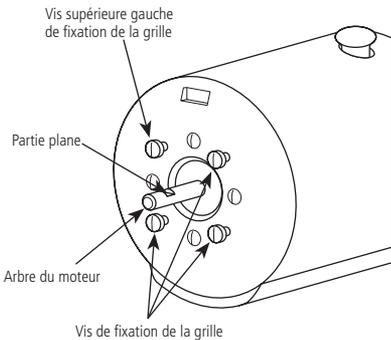


FIGURE 5

ATTENTION : Ce ventilateur dispose d'un dispositif de sécurité qui l'empêche de fonctionner avant que la grille ne soit entièrement assemblée sur la face du moteur et que le support de verrouillage ne soit fixé en place.

19. Installer le dispositif de verrouillage comme le montre la Figure 6. NOTE : NE PAS retirer la barrière de caoutchouc du trou de la face du moteur. Introduire le bas du dispositif de verrouillage dans l'ouverture protégée par la barrière de caoutchouc.

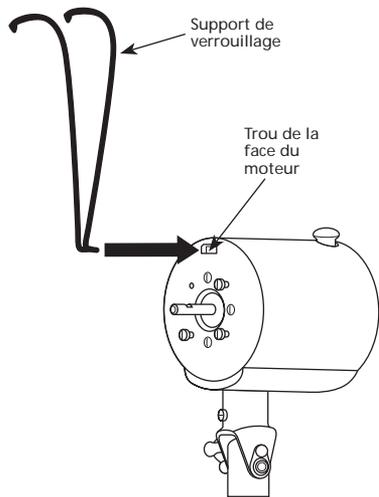


FIGURE 6

20. Aligner les encoches en trou de serrure de la grille arrière avec les trois vis restantes de la face du moteur et poser la grille arrière sur la face du moteur en vous assurant que les rondelles sont bien entre la tête de vis et la grille arrière. Voir Figure 7.

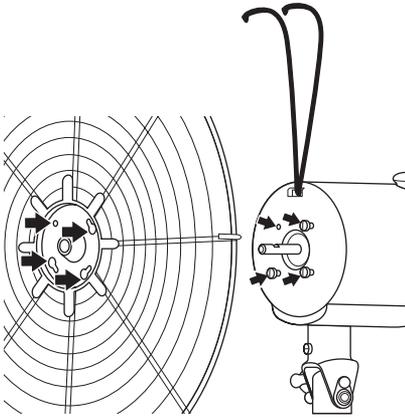


FIGURE 7

21. Faire tourner la grille dans le sens horaire pour que les vis se retrouvent dans les extrémités étroites des encoches.
22. Reposer et serrer la vis supérieure gauche de fixation de la grille et serrer les vis de fixation restantes.

23. Desserrer la vis de blocage de l'assemblage de pales de façon à ce qu'elle ne dépasse pas à l'intérieur du manchon d'assemblage de pales. Voir Figure 8.

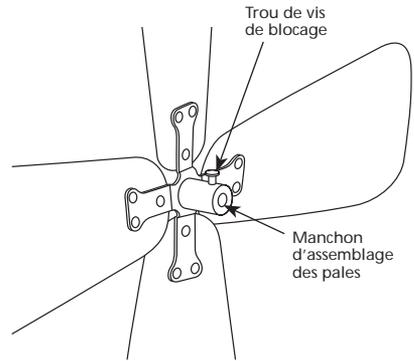


FIGURE 8

24. Faire glisser le manchon d'assemblage des pales sur l'arbre du moteur en vous assurant que la vis de blocage du manchon se trouve en face de la partie plate de l'arbre du moteur Voir Figure 9. Serrer la vis de blocage de l'assemblage de pales se façon à ce qu'elle appuie contre la partie plate de l'arbre du moteur. Tirer ensuite sur l'assemblage de pales pour vérifier qu'il est bien fixé sur l'arbre du moteur.

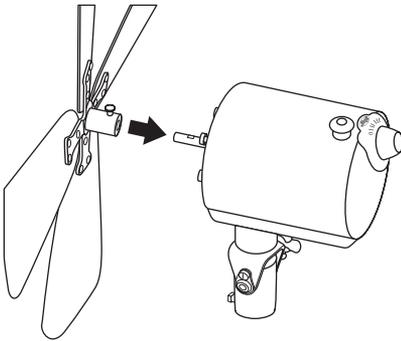


FIGURE 9

NOTA : Pour que ce soit plus clair, la Figure 9 ne montre pas la grille arrière et la partie filetée de la tringale pour qu'on voit l'installation du manchon d'assemblage et de l'arbre du moteur.

25. Le logo Hunter vous faisant face et vers le haut, introduire les languettes de la partie inférieure de la grille avant dans la couronne de la grille arrière comme le montre la figure 10, flèche 1. Déplacer ensuite le haut de la grille comme le montre la flèche 2 de la figure 10, pour que le haut de la grille avant s'engage dans la couronne de la grille arrière.

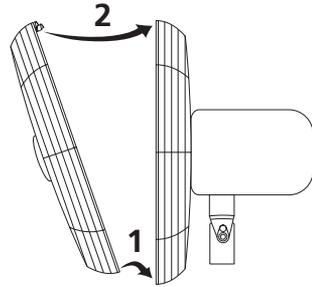


FIGURE 10

26. Aligner les deux extrémités du support de verrouillage avec les deux encoches dans la languette au sommet de la grille avant. Presser les deux extrémités du support de verrouillage dans les deux encoches dans la languette au sommet de la grille avant. Voir Figure 11.

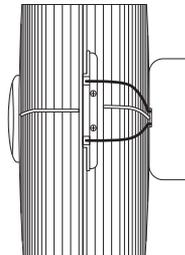


FIGURE 11

27. Placer l'anneau de grille autour des couronnes de grille avant et arrière, avec son ouverture à la base des couronnes. Enclencher les deux extrémités de l'anneau de grille et les fixer avec le verrou de l'anneau. Voir Figure 12.

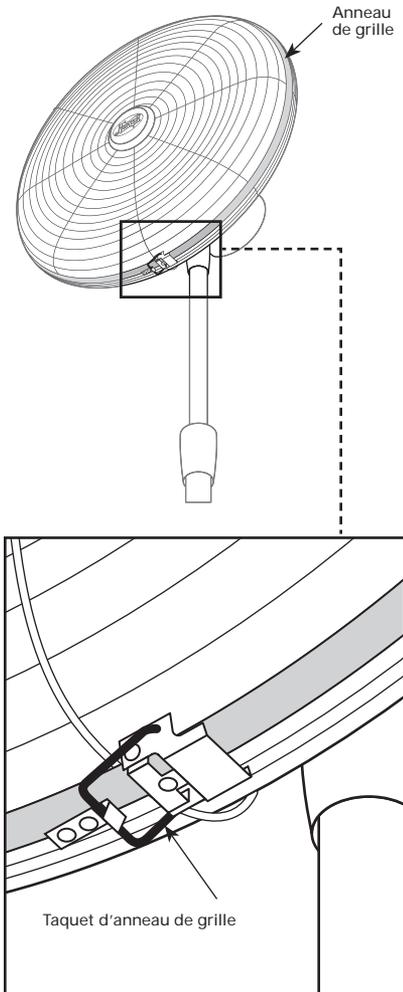


FIGURE 12

Cet appareil est destiné uniquement à un usage domestique.

1. Installer le ventilateur dans un endroit sec, sécuritaire et plat afin qu'il ne puisse pas tomber ou être tiré par le cordon.
2. Brancher le ventilateur dans une prise électrique 120 V CA mise à la terre (courant domestique). NE PAS se servir d'un autre type de prise. Veiller à ce que la tension nominale du ventilateur soit identique à l'alimentation en électricité avant de le brancher dans une prise.
3. Mettre en marche (ON) ou arrêter (OFF) le ventilateur en tournant la commande de vitesse/ puissance dans le sens horaire ou antihoraire. Voir Figure 13. Il faut toujours arrêter (OFF) le ventilateur avant de la débrancher.
4. Pour sélectionner la vitesse, déplacer la commande de vitesse de la position OFF à la vitesse désirée : .O (off/éteint), I (low/bas), II (medium/moyen), III (high/élevée). Voir Figure 13.

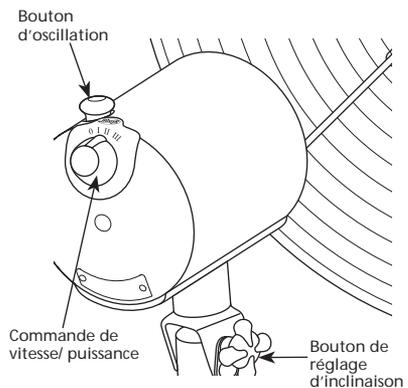


FIGURE 13

5. Pour ajuster la circulation d'air vers le haut ou le bas, desserrer le bouton de réglage d'inclinaison sur le côté du moteur du ventilateur. Voir Figure 13. Placer le ventilateur à l'angle désiré et resserrer le bouton de réglage d'inclinaison.
6. Pour faire osciller le ventilateur, pousser le bouton d'oscillation vers le bas. Pour arrêter l'oscillation du ventilateur, tirer le bouton d'oscillation vers le haut. Voir Figure 13.
7. Pour ajuster la hauteur de votre ventilateur, tenir la tige télescopique d'une main et la faire tourner dans le sens antihoraire. Tout en supportant le moteur du ventilateur, monter ou descendre la tige télescopique à la position désirée; resserrer la bague de réglage de hauteur.

ENTRETIEN

Ce ventilateur est lubrifié en permanence et ne requiert aucune lubrification (huile) supplémentaire pour la durée de sa vie.

Ce ventilateur ne nécessite que peu d'entretien et ne possède aucune pièce réparable par l'utilisateur. NE PAS tenter de le réparer vous-même. Communiquer avec un réparateur compétent si une réparation est nécessaire.

POUR LE NETTOYAGE :

1. Avant un nettoyage, éteindre le ventilateur et retirer la fiche de la prise de courant. Essuyer l'excès de poussière avec un chiffon non pelucheux.
 2. NE PAS plonger le ventilateur dans l'eau ou tout autre liquide.
- ### NETTOYAGE DE LA GRILLE ET DES PALES :
1. Arrêter le ventilateur et retirer la fiche de la prise de courant.
 2. Pour démonter la grille, déverrouiller le verrou d'anneau de grille, enlever l'anneau de grille et le support de verrouillage.
 3. Desserrer la vis de blocage de l'assemblage de pales et faire glisser celui-ci hors de l'arbre du moteur.
 4. Il faut nettoyer les grilles et l'assemblage de pales avec un savon doux et de l'eau.
 5. Utiliser un chiffon doux et légèrement humide pour essuyer les autres pièces du ventilateur.
 6. Quand l'assemblage de pales et les grilles sont complètement secs, remonter le ventilateur en suivant les étapes de montage 18 à 27 de ce manuel.
 7. NE PAS brancher le ventilateur dans une prise de courant avant son remontage complet.

1. Pour ranger le ventilateur, démonter les grilles avant et arrière, enlever l'assemblage de pales et nettoyer toutes les pièces du ventilateur avec un chiffon humide.
2. TOUJOURS ranger le ventilateur dans un endroit sec.
3. NE JAMAIS ranger le ventilateur s'il est encore branché.
4. NE JAMAIS enrouler le cordon trop serré autour du ventilateur.
5. NE PAS appliquer de pression indue sur le cordon à son entrée dans l'appareil, cela pourrait entraîner le bris du cordon.

PROBLÈME

- Le ventilateur ne fonctionne pas.

SOLUTION

- Vérifier que le l'interrupteur de verrouillage est correctement installé selon les instructions de montage. (voir page 36)

PROBLÈME

- Le ventilateur n'oscille pas.

SOLUTION

- Pousser le bouton au sommet du boîtier du moteur vers le bas pour activer l'oscillation. (voir page 39)

PROBLÈME

- Impossible d'ajuster l'inclinaison du ventilateur.

SOLUTION

- Desserrer la vis sur le côté du col du ventilateur. Ajuster à l'angle désiré et resserrer la vis (voir page 39)

Si vous avez essayé toutes ces solutions de dépannage et que vous avez encore des problèmes, rendez-nous visite sur notre site Web à <http://www.hunterfan.com>.



HUNTER FAN COMPANY
2500 FRISCO AVENUE
MEMPHIS, TN 38114, USA

© 2006 Hunter Fan Co.

Imprimé en Chine

Free Manuals Download Website

<http://myh66.com>

<http://usermanuals.us>

<http://www.somanuals.com>

<http://www.4manuals.cc>

<http://www.manual-lib.com>

<http://www.404manual.com>

<http://www.luxmanual.com>

<http://aubethermostatmanual.com>

Golf course search by state

<http://golfingnear.com>

Email search by domain

<http://emailbydomain.com>

Auto manuals search

<http://auto.somanuals.com>

TV manuals search

<http://tv.somanuals.com>