

Oscillating

Stand Fan

Owner's Manual

English



Model

90405

90434

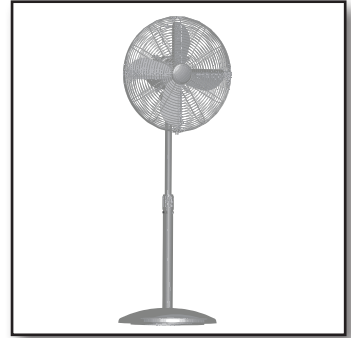
90435

Form# 44086-01
20101102
©2010 Hunter Fan Co.

SINCE 1886
Hunter[®]

TABLE OF CONTENTS

| | |
|-----------------------------|----|
| Introduction | 3 |
| Safety and Warnings..... | 3 |
| Grounding..... | 5 |
| Fused Plug | 6 |
| Unpacking..... | 7 |
| Base Assembly | 7 |
| Motor Assembly | 8 |
| Grill Assembly | 9 |
| Operation..... | 11 |
| Off / Speed Selection | 11 |
| Oscillation | 11 |
| Adjustment | 11 |
| Maintenance..... | 12 |
| Technical Support..... | 13 |
| Warranty..... | 13 |
| Products | 15 |



INTRODUCTION

Thank you for choosing the Hunter Oscillating Stand Fan. This manual gives you complete instructions for assembling and using your fan. Here are some the features you will enjoy with your fan:

- ✓ An attractive design that enhances any decor
- ✓ A powerful motor for maximum air flow
- ✓ Three speeds to adjust your comfort level
- ✓ All metal construction

SAFETY AND WARNINGS

To reduce the risk of fire or electrical shock, **DO NOT** use this fan with any solid-state speed control device.

When using electrical appliances, basic precautions should always be taken to reduce the risk of fire, electric shock and personal injury:

Read all instructions before using this fan.

1. Improper installation may result in the risk of fire, electric shock or personal injury.
2. To prevent the risk of fire and electric shock, **DO NOT** use the unit near windows. Rain and moisture may create an electrical hazard.
3. The power plug must be removed from the power socket when not in use, before cleaning, servicing, maintenance and before moving to another location.
4. **DO NOT** put fan in a damp place or where humidity is high-such as a bathroom.
5. The fan should be placed on a flat, stable surface or tabletop to avoid overturning.
6. Use fan only for intended use, as described in this instruction manual.
7. To protect against electrical shock, **DO NOT** immerse unit, plug or cord in water or spray with liquids.
8. Close supervision is necessary when any appliance is used by or near children.
9. **NEVER** insert fingers, pencils or any other objects



through the grill when the fan is running.

10. DO NOT operate any appliance with a damaged cord or plug, after the appliance malfunctions or has been dropped or damaged in any manner.
11. To disconnect, grip plug and pull from wall outlet. NEVER yank on cord.
12. ALWAYS use on a dry surface.
13. This product is intended for household use only and not for commercial or industrial use.
14. DO NOT operate fan in the presence of explosive and/or flammable fumes.
15. DO NOT place fan or any parts near an open flame, cooking or any other heating appliances.
16. DO NOT use near curtains, plants, window treatments, etc.
17. This appliance has a grounded three-prong plug and is suitable for grounded receptacle use only. An adapter is available for connecting three-blade grounding-type plugs to two-slot receptacles. The adapter must be properly grounded. DO NOT attempt to defeat the purpose of this safety feature.
18. The rubber ring on this product may interact with wood and cause damage to furniture. Do not place on fine wood furniture.



GROUNDING

This appliance is for household use only and may be plugged into any 120-volt AC electrical outlet (ordinary household current). DO NOT use any other type of outlet.

WARNING

This unit is suitable for grounded receptacle use only.

The power cord has a grounded plug as shown in Figure 1, and must be used with an electrical outlet that can accommodate the grounding pin. If your electrical outlet can not accommodate the grounding pin, then you must purchase and install one of the two types of adapters shown in Figure 2.

NOTE: The adapters ARE NOT supplied with this fan. Read, follow, and save the instructions that are included with the adapter you choose. Do not use an adapter if your electrical outlet can accommodate the grounding pin.

LINE CORD SAFETY TIPS

1. NEVER pull or yank on the cord or the appliance.
2. To insert plug, grasp it firmly and guide it into the outlet.
3. To disconnect the appliance, grasp the plug and remove it from the outlet.
4. Before each use, inspect the line cord for cuts and/or abrasion marks. If any are found, the appliance should be serviced and the line cord replaced. Please return it to our Service Department or to an authorized service representative.
5. NEVER wrap the cord tightly around the appliance, as this could place undue stress on the cord where it enters the appliance and could cause it to fray and break.
6. DO NOT operate appliance if the line cord shows any damage, if the appliance works intermittently or stops working entirely.

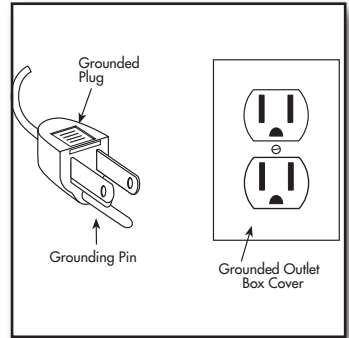


Figure 1.

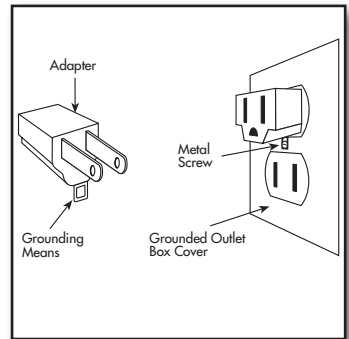


Figure 2.

FUSED PLUG

This plug is a safety feature. It contains a safety device (fuse) that should not be removed. Discard product if the attachment plug is damaged. To reduce the risk of fire, electric shock and personal injury, DO NOT remove, replace, repair or tamper with the originally supplied plug. If the Fan does not function properly, it may be due to the safety device incorporated in this plug.

If the fuse fails, it is generally due to a short circuit or circuit overload. Replace the fuse as per the instructions below. **If the replacement fuse fails, immediately unplug the unit and contact our technical support department for assistance.**

Fuse Replacement:

1. To replace the fuse, first turn the unit off and unplug it from the wall. Locate the door on top of the plug. Figure 1.
2. Slide the door on top of the plug towards the blades. Figure 2.
3. Carefully remove the fuse from the clips holding it on the top and bottom. Figure 3.

Warning! Electrical Hazard! Only replace with a fuse type and rating matching what was removed from the product.

4. Gently push the fuse back into the pins that will hold it in place.

Note: If the fuse is not seated properly, the unit will not function.

5. Slide the Door back over the fuse box in the plug.
6. Plug the fan back in and resume use.

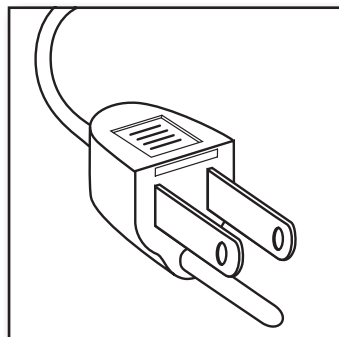


Figure 1.

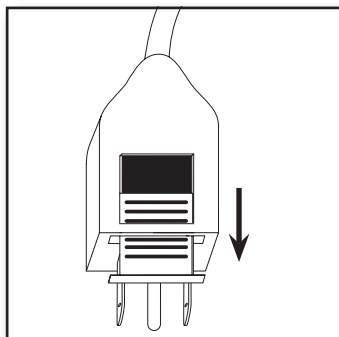


Figure 2.

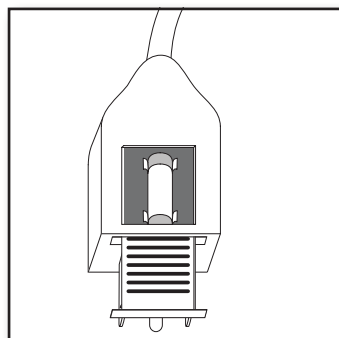


Figure 3.

UNPACKING

As you unpack the fan, save the carton and packing materials in case you want to move or ship the unit in the future. Carefully remove all items from the box.

NOTE: It is best to have someone hold the box while you lift the fan and the protective packaging out of the carton. Make sure all shipping materials are removed from fan before operating.

BASE ASSEMBLY

1. Insert the Weight(1) into the Base Cover(2). Figure 3.
2. Insert the base of the Telescoping Pole(3) into the top of the Base Cover(2) and attach to the Base Weight(1) by turning clockwise on the Screw(4) in the center of the Base Weight(1). Figure 4.
3. Turn the Base on it's side and turn the handle of the Screw(4) on the bottom of the Weight until secure. Figure 3.
4. Tip the Base back upright. Figure 5.

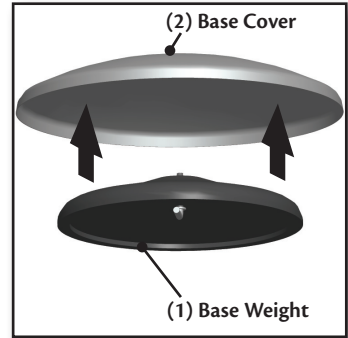


Figure 3.

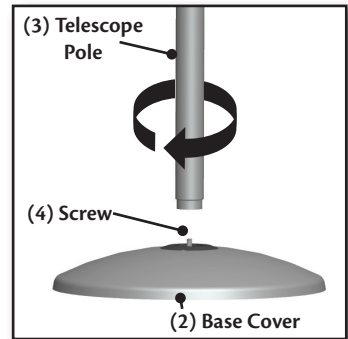


Figure 4.

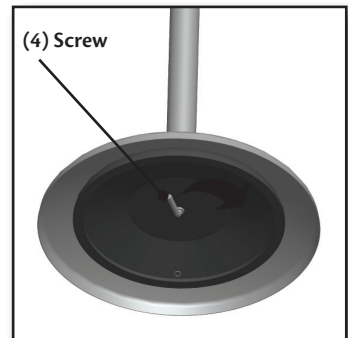


Figure 5.



Figure 6.

MOTOR ASSEMBLY

1. Grasp the Telescope Pole firmly and twist the Adjustment Knob Counter Clockwise to loosen. Figure 7.
2. Raise the Inner Pole and tighten the Adjustment Knob by twisting Clockwise until secure.
3. Remove the Motor Knob(7), Motor Bolt(6), and Tilt Adjustment Knob(8). Loosen the screw above the Motor Knob(7).
4. Set the Motor(5) on top of the Pole(3), Figure 8., and Secure using the Motor Bolt(6) and Knob(7). Retighten the screw above the motor knob in the slot to secure motor. Figure 9.

Note: The Motor Bolt has a square cut on the inside of the head, ensure this fits securely into the square hole in the Pole. Do not overtighten the Motor Knob, as this could make it difficult to tilt the motor later.

After securing the motor(5), Screw in the Tilt Adjustment Knob(8) securely. Figure 10. This Knob allows you to adjust the fans angle.

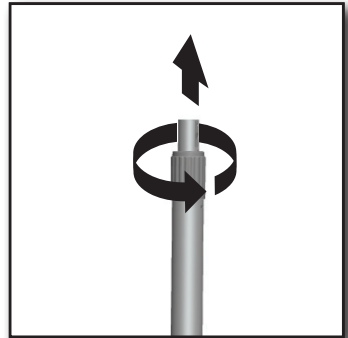


Figure 7.

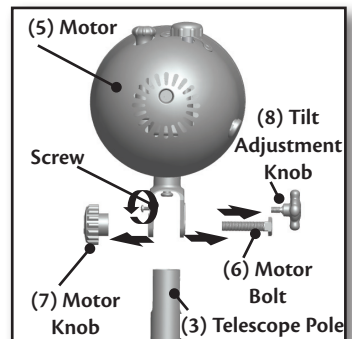


Figure 8.

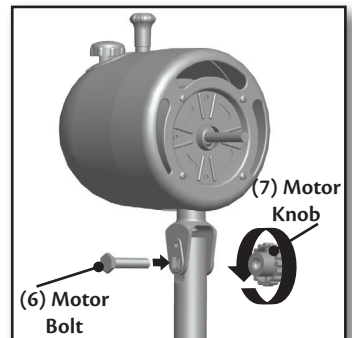


Figure 9.

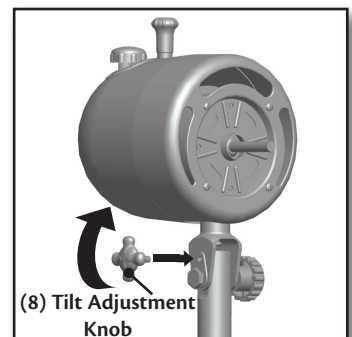


Figure 10.

GRILL ASSEMBLY

1. Place the back grill against the motor housing(5), Figure 11., and line up the 4 tabs on the back of the grill(9) to the 4 screws holes on the front of the motor.

Caution: Make sure the Handle on the back of the Back Grill is facing up.

2. Attach the Back Grill(9) to the Motor(5) using the 4 Grill Mount Screws. Figure 12.

Note: 1 screw will have a star washer on it, for grounding purposes. The other 3 screws will not have a washer.

3. Loosen the Screw on the back of the Fan Blade(10), 13a., and slide the Fan Blade onto the post on the Motor(5). Figure 13.
4. Tighten the Screw on the Blade(10) to secure it to the Motor(5). Figure 14.

Caution: Ensure when tightening the screw on the back of the fan blade, you tighten it on the flat part of the post.

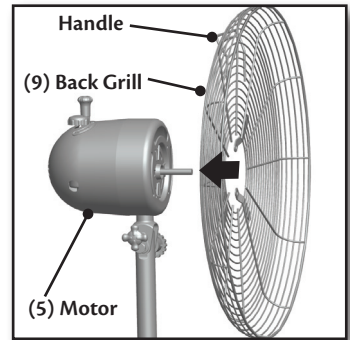


Figure 11.

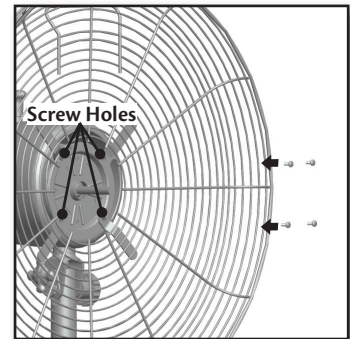


Figure 12.

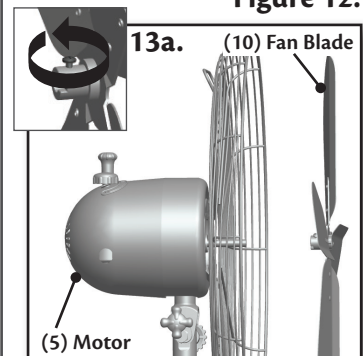


Figure 13.

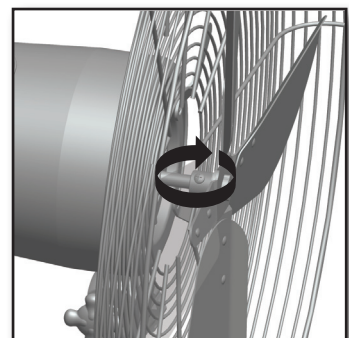


Figure 14.

GRILL ASSEMBLY (CONT.)

1. Remove the Grill Ring from the Front Grill(11) by loosening the screw holding it.
2. Place the Front Grill(11) against the Back Grill(9) so the Hunter logo faces right side up and push together until the tabs on the grills hold them together. Figure 15.
3. Slide the Grill Ring over both Front(11) and Back(9) Grills turning it so the screw that will secure it is on the bottom. Figure 16.
4. Tighten the Screw to secure the Grill Ring over the Front and Back Grills.
5. Straighten the Cord from the Motor along the Telescoping Pole and Snap the Cord Clip over the cord onto the Pole so the cord rests in the notch on the Clip. Figure 18.

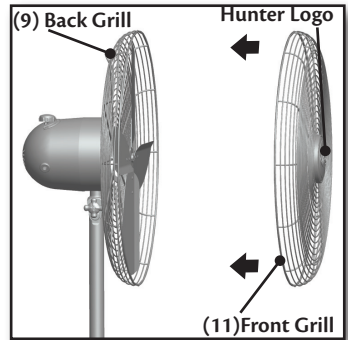


Figure 15.

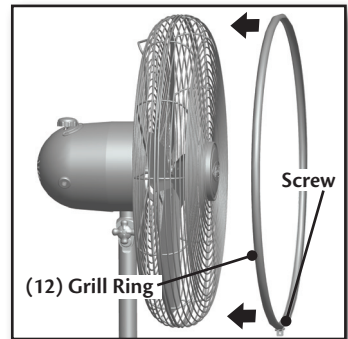


Figure 16.

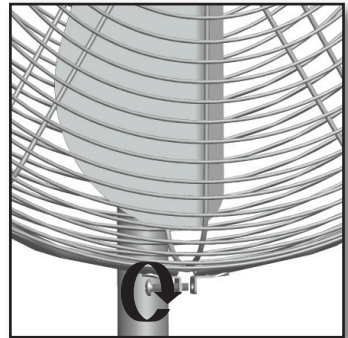


Figure 17.

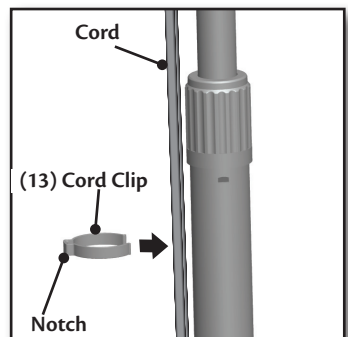


Figure 18.

OPERATION

Off / Speed Selection

To turn the fan on and off / control the speed. Turn the speed knob on the top of the motor to the proper setting. Figure 19.

Oscillation

To allow the fan to oscillate, push the Knob beside the fan speed control down. Pull up on the knob if oscillation is not desired. Figure 20.

Adjustment

To adjust the angle the fan is blowing.

1. Loosen the adjustment knob under the Fan Motor
2. Adjust the fan to the angle desired and retighten the knob to secure the fan at that angle. Figure 21.

When adjusting the height of the fan, always grip the pole above the adjustment knob firmly to prevent the telescoping pole from collapsing.

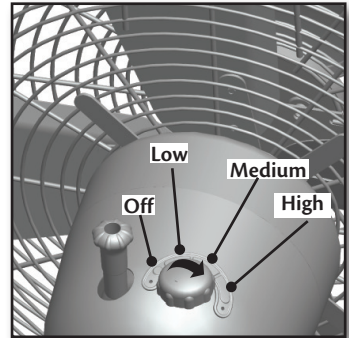


Figure 19.

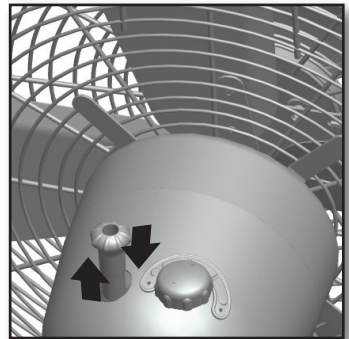


Figure 20.

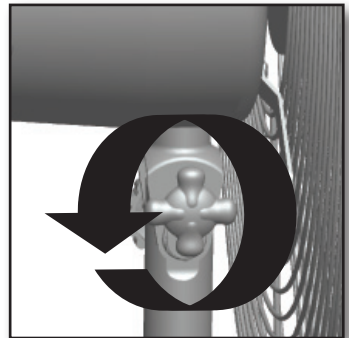


Figure 21.

MAINTENANCE

This fan is permanently lubricated and will not require additional lubrication (oil) for the life of the fan.

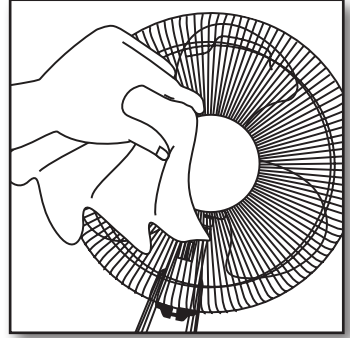
This fan requires little maintenance and contains no user serviceable parts. DO NOT try to fix it yourself. Contact qualified service personnel if servicing is needed.

Before cleaning, turn fan off and unplug from electrical outlet. Wipe off excess dust with a lintfree cloth. To ensure adequate air circulation to the motor, keep vents located at the rear of the motor housing free from dust accumulation. A vacuum cleaner hose can be used to clean these vents.

DO NOT immerse the fan in water or any other liquid.

CLEANING THE GRILL AND BLADE:

1. Turn the fan off and unplug from the electrical outlet.
 2. Disassemble the grills by loosening the screw holding the grill ring and remove it from the grills.
 3. Two tabs hold the Front Grill and Back Grill together. Pull the Front Grill from the back.
 4. The blade may be removed by loosening the screw holding it in place. Grills and blades may be cleaned with mild soap and water only after they have been removed from the motor housing.
 5. Use a dry or slightly damp lint free cloth to clean the fan. Use a soft, slightly damp cloth to wipe the remaining fan parts.
- ✓ DO NOT allow water or any other liquid to get into the motor housing or base.
 - ✓ Reassemble the fan after blades and grills have dried completely.
 - ✓ DO NOT plug the fan into an electrical outlet until it has been fully reassembled.



1. Problem

- ✓ Fan will not oscillate.

Solution

- ✓ Push down on the knob on top of motor housing to activate oscillation.

2. Problem

- ✓ Can not adjust the angle of the fan.

Solution

- ✓ Loosen the adjustment knob, tilt the fan, then retighten adjustment knob.

TECHNICAL SUPPORT

If you have any additional questions or problems with your Hunter Portable Fan, please call:

USA: 1-888-830-1326
Canada: 1-866-268-1936

Hours of operation are from 7:00 am to 7:00 pm Monday - Friday and 8:00 am to 5:00 pm on Saturday, Central Time. You may also contact us over the Internet at www.hunterfan.com.

WARRANTY

The Hunter Fan Company makes the following limited warranty to the user or consumer purchaser of this Hunter Portable fan:

If your Hunter Portable Fan motor fails at any time within five years after the date of sale to you due to a defect in material or workmanship, labor to repair the defect will be provided free of charge at our nearest service center or our Service Department in Memphis, Tennessee. You will be responsible for labor costs after this one-year period. The foregoing limited warranty applies only to the motor itself, and does not apply to electronic controls such as remote controls, remote control receivers or transmitters used in conjunction with the motor. These electronic control items are included in the one year limited warranty below.

If any part of your Hunter Portable Fan other than the motor fails at any time with five year after the date of



sale to you due to a defect in material or workmanship, we will repair or, at our option, replace the defective part free of charge for parts and labor performed at our nearest service center or at our Service Department in Memphis, Tennessee.

IF THE USER OR CONSUMER PURCHASER CEASES TO OWN THE FAN, THIS WARRANTY AND ANY IMPLIED WARRANTY WHICH THEN REMAINS IN EFFECT, INCLUDING BUT NOT LIMITED TO ANY IMPLIED WARRANTY OF MERCHANTABILITY OR FITNESS FOR A PARTICULAR PURPOSE, ARE VOIDED. NO WARRANTY, EXPRESSED OR IMPLIED, INCLUDING ANY WARRANTY OF MERCHANTABILITY OR FITNESS FOR A PARTICULAR PURPOSE, IS MADE IN RESPECT TO THE GLASS GLOBES OR LIGHT BULBS OR THE FINISH ON ANY METAL PORTION OF THE FAN. THIS WARRANTY IS IN LIEU OF ALL OTHER EXPRESS WARRANTIES. THE DURATION OF ANY IMPLIED WARRANTY, INCLUDING, BUT NOT LIMITED TO ANY IMPLIED WARRANTY OF MERCHANTABILITY OR FITNESS FOR A PARTICULAR PURPOSE, IN RESPECT TO ANY HUNTER FAN MOTOR OR OTHER FAN PART, IS EXPRESSLY LIMITED TO THE PERIOD OF THE EXPRESS WARRANTY SET FORTH ABOVE FOR SUCH MOTORS AND OTHER PARTS.

This warranty is voided if your Hunter Fan is not purchased and used in the USA.

This warranty excludes and does not cover defects, malfunctions or failures of any Hunter Portable fan which were caused by repairs by persons not authorized by us, use of parts or accessories not authorized by us, mishandling, improper installation, modifications, or damage to the Hunter Portable fan while in your possession, or unreasonable use, including failure to provide reasonable and necessary maintenance.

To obtain servicing, contact the nearest Hunter authorized service center or the Hunter Fan Company Service Department, 7130 Goodlett Farms Pkwy. Suite 400, Memphis, Tennessee 38016. Please contact us before shipping your fan to us. If we authorize you to ship it to us, you will be responsible for all insurance and freight or other transportation charges to our factory service center. We will return your Hunter Fan freight prepaid. Your portable fan should be properly packed to avoid damage in transit since we will not be responsible for



any such damage. Proof of purchase is required when requesting warranty service. The purchaser must present sales receipt or other document that establishes proof of purchase.

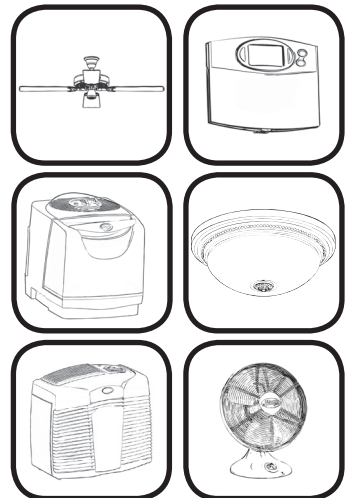
IN NO EVENT SHALL HUNTER FAN COMPANY BE LIABLE FOR CONSEQUENTIAL OR INCIDENTAL DAMAGES.

SOME STATES DO NOT ALLOW LIMITATIONS ON HOW LONG AN IMPLIED WARRANTY LASTS OR THE EXCLUSION OR LIMITATION OF INCIDENTAL OR CONSEQUENTIAL DAMAGES SO THE ABOVE LIMITATION MAY NOT APPLY TO YOU.

THE WARRANTY GIVES YOU SPECIFIC LEGAL RIGHTS AND YOU MAY ALSO HAVE OTHER RIGHTS WHICH VARY FROM STATE TO STATE.



PRODUCTS



To learn more about Hunter Fan Company products, please see our Web page at:

www.hunterfan.com

Hunter Company
7130 Goodlett Farms Pkwy., Suite 400
Memphis, Tennessee 38016

Free Manuals Download Website

<http://myh66.com>

<http://usermanuals.us>

<http://www.somanuals.com>

<http://www.4manuals.cc>

<http://www.manual-lib.com>

<http://www.404manual.com>

<http://www.luxmanual.com>

<http://aubethermostatmanual.com>

Golf course search by state

<http://golfingnear.com>

Email search by domain

<http://emailbydomain.com>

Auto manuals search

<http://auto.somanuals.com>

TV manuals search

<http://tv.somanuals.com>