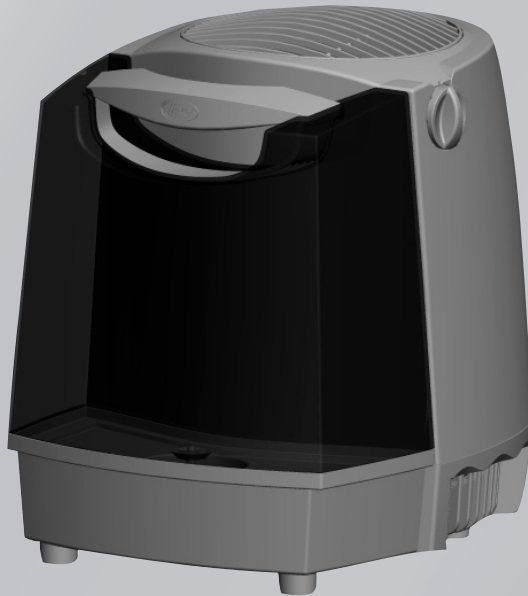




Evaporative Humidifier



Model 32200

Read and save these instructions.

ENGLISH
See page 2

ESPAÑOL
Vea la página 13

READ AND SAVE THESE INSTRUCTIONS

Important Safety Instructions: Read all instructions before using this humidifier.

1. This humidifier may not work properly on an uneven surface. ALWAYS place this humidifier on a firm, level, and water resistant surface. ALWAYS place the humidifier at least six (6) inches away from walls and heat sources such as stoves, radiators, or heaters.
2. ALWAYS place the humidifier in an area that is out of the reach of children.
3. Before using the humidifier, extend the cord and inspect for any signs of damage. DO NOT use the product if the cord has been damaged.
4. This product has a polarized plug (one blade is wider than the other) as a safety feature. This plug will fit into a polarized outlet only one way. If the plug does not fit fully into the outlet, reverse the plug. If it still does not fit, contact a qualified electrician.

DO NOT attempt to defeat or override this safety feature.

5. ALWAYS UNPLUG AND EMPTY the humidifier when it is not in operation or while it is being cleaned.
6. DO NOT tilt or move the humidifier while it is in operation. Never move the humidifier while there is water in the tank. Empty the water tank, turn off, and unplug the unit before moving.
7. In addition to routine maintenance which may be required, this humidifier requires seasonal cleaning. Refer to and follow CLEANING THE HUMIDIFIER AND THE WATER TANK instructions.

Thank you for purchasing The Care Free® Humidifier Evaporative Humidifier by Hunter Fan Company. Please read and save these instructions to receive the maximum benefit and performance from your humidifier.

How The Hunter® Evaporative Humidifier Works

The Hunter® Evaporative Humidifier has a unique patented design with several innovative features:

- Built-in Antimicrobial Properties – The plastic parts and the filter have built-in antimicrobial properties to inhibit the growth of bacteria, mold and fungi that may affect these parts.
- No White Dust – The Hunter® Evaporative Humidifier produces no white dust that can settle on furniture or be inhaled.

NOTE: This product contains antimicrobial properties which are built-in to inhibit the growth of bacteria which may affect the plastic and filter in the humidifier. These properties do not extend to the water, humidified air or users. Conduct routine cleaning and maintenance based upon use and individual conditions.

NOTE: You may notice mineral deposits accumulating in the tank base. This is normal and does not affect performance. If you would like to clean these deposits away, please see CLEANING THE HUMIDIFIER AND WATER TANK.

Humidifier Parts

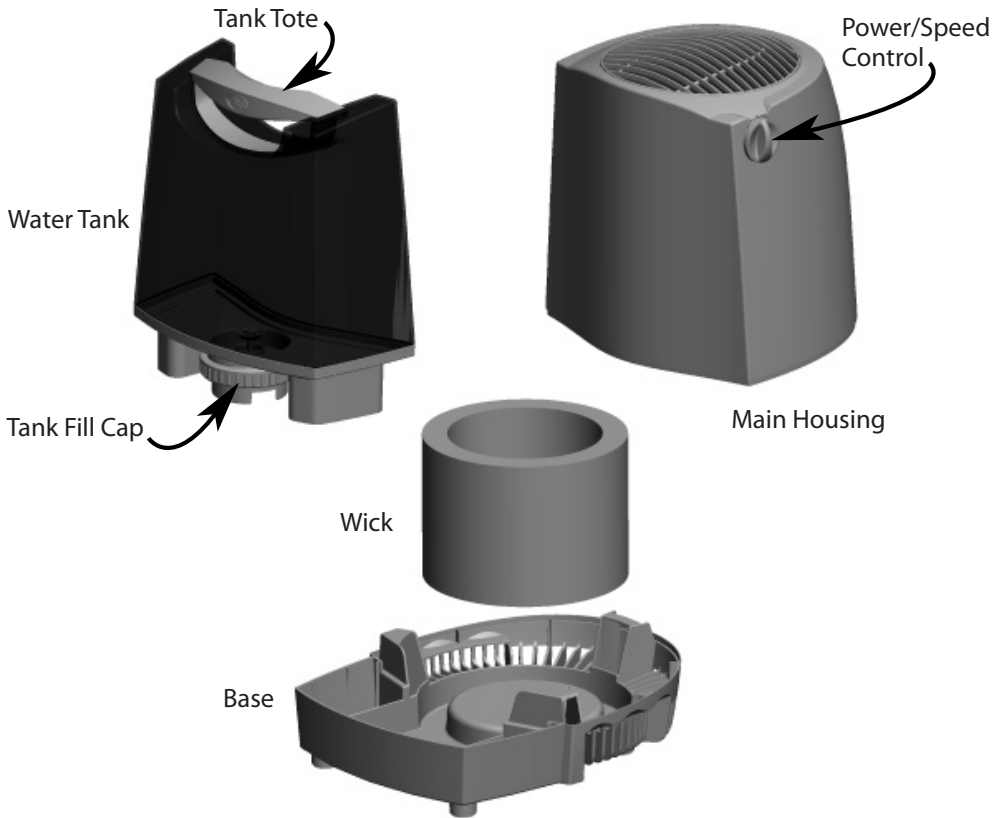


Figure 1

Using Your Humidifier

1. Remove the Hunter® Evaporative Humidifier from its packaging.
2. Place the humidifier on a hard, flat, water resistant surface. Always place the humidifier at least six (6) inches away from walls and sources of heat.
3. Make sure the Power/Speed Control is in the 'OFF' position. NOTE: The Power/Speed Control should always be off before unplugging the humidifier, moving the humidifier, or refilling the water tank. See Figure 2.

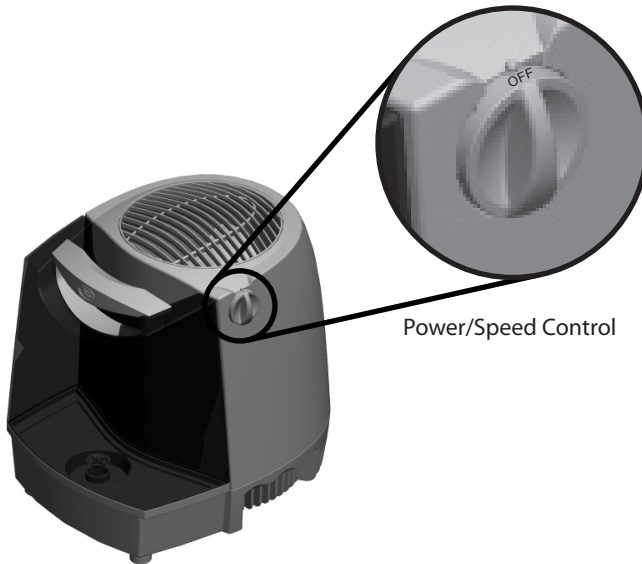


Figure 2

4. Lift the Main Housing to ensure the Wick is properly seated, resting on the bottom of the base and not tilted or otherwise out of position. See Figure 3. Place the Main Housing back on the Base.

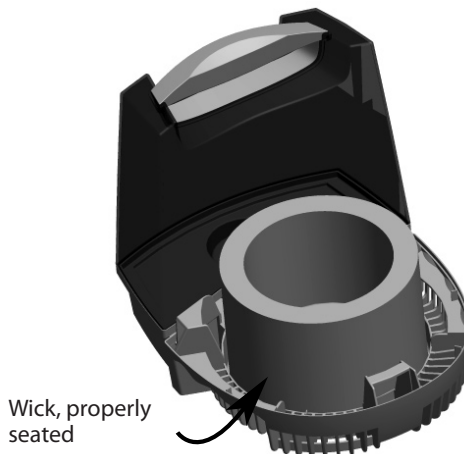


Figure 3

4. Grasp the Water Tank by its Tank Tote and remove it from the Base.
5. Turn the Water Tank upside-down and remove the Tank Fill Cap. See Figure 4.



Figure 4

6. Fill the Water Tank with water, return the Tank Fill Cap to its position and tighten it, and return the Water tank to the Base.
7. Plug the humidifier's Power Cord into a standard household power outlet.
8. Turn the Power/Speed Control to your desired humidifier fan speed. See Figure 5.

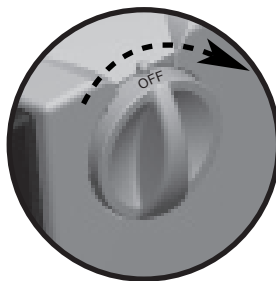


Figure 5

Refilling The Water Tank

1. When the water tank level is low, turn the humidifier 'OFF', and unplug.
2. Remove the tank and take it to the sink or tub to refill.
3. Turn the tank upside down and unscrew the tank cap by turning it counterclockwise. Empty the tank, refill with fresh cool water (never use hot water), and replace the tank cap. Be sure not to overfill the tank as water damage may occur to furniture or flooring due to spillage. HUNTER WILL NOT ACCEPT RESPONSIBILITY FOR DAMAGE TO PROPERTY CAUSED BY WATER SPILLAGE.
4. Carry the tank back to the humidifier. Turn the tank upright and place it on the humidifier. Be sure that the tank is seated properly in the base. If the tank is properly located on the base, you will see air bubbles flowing up into the tank.

Cleaning The Humidifier And The Water Tank

Many regions have hard water with high concentrations of minerals. When water evaporates from The Hunter® Evaporative Humidifier, minerals may be left behind. These minerals can form a hard white scale which can be removed by following the cleaning instructions. The frequency of cleaning due to mineral build up can vary depending upon the quality of water you may have.

Refer to Figure 1 for part names.

1. Turn the humidifier 'OFF' and unplug the unit.
2. Lift the main housing and remove the water dispersion tray and the wick. The motor is attached to the main housing. Do not place the motor near water. Do not use a wet towel on the motor or motor housing as electrical shock may occur.
3. Replace the humidifier's wick every 4 - 8 weeks or when it has turned brown.
4. Remove the water tank from the base and empty any water that is left in the tank. Soak the base in a mixture of one (1) gallon of water and eight (8) ounces of vinegar for 20 minutes. The base is dishwasher safe.
5. After soaking, wipe the base with a soft cloth or sponge to remove any mineral build up. Rinse with clean water several times. If you are planning on storing the humidifier, be sure the base is completely dry.
6. Fill the water tank with one (1) gallon of water and eight ounces of undiluted white vinegar. Replace the tank cap and shake the tank vigorously until all interior surfaces of the tank have been exposed to the water/vinegar mixture.
7. Empty the tank of the water/vinegar mixture. Rinse it several times with clean water and then replace the tank cap. If you are planning on storing the humidifier, dry it inside and out, leaving the cap off to allow the tank to completely dry. Continue to clean the other parts of your humidifier.
8. Wipe the surfaces of the main housing with a soft cloth.
9. Once all the parts are clean, reassemble the humidifier, and follow the USING YOUR HUMIDIFIER to continue use. If you are storing the humidifier, make sure the parts are completely dry, reassemble, and store in a dry location.

Replacing the Humidifier Wick

NOTE: The humidifier's Wick is made of paper and is NOT washable.

Over time, minerals in your water will build up in the humidifier's Wick, degrading its ability to absorb water and reducing the humidifier's output. Therefore, you should replace the humidifier's Wick every 4 - 8 weeks, depending on the hardness of your water.

1. Turn the humidifier 'OFF' and unplug the unit.
2. Lift the Main Housing, remove it from the Base, and set it aside.
3. Grasp the humidifier Wick, hold it over the base, and squeeze the water from it. This will keep water from dripping onto your floor. You may also want to wrap the Wick in a towel to keep it from dripping while you transport it to disposal.
4. Replace the old Wick with a new Hunter humidifier Wick, number 31911. New Wicks are available at your local Hunter retailer or at www.hunterfan.com.
5. Ensure the Wick is properly seated, resting on the bottom of the base and not tilted or otherwise out of position.
6. Return the Main Housing to its position on the Base. Make certain the Main Housing is properly seated on the Base.
7. Plug the humidifier's Power Cord into a standard household power outlet and turn the Power/Speed Control to your desired setting.

Service Parts

To obtain a service part for your humidifier, call customer service at 1-888-830-1326 or e-mail us at techsupport@hunterfan.com. Please be prepared to tell the operator the model number of your humidifier and the name of the part you need to replace and the part number. Refer to Figure 1 for part names.

Model No.	Base	Water Tank	Knob A	Tank Cap	Filter
32200	97676	97678	76257	87843	31911

Hunter Fan Company

Hunter® Humidifier Evaporative Humidifier

5 YEAR LIMITED WARRANTY

The Hunter Fan Company, Inc. makes the following warranty to the original residential user or consumer purchaser of The Evaporative Humidifier:

If any part of The Evaporative Humidifier ("Humidifier") motor fails during the first 5 (five) years from the date of installation due to a defect in material or workmanship, we will provide a replacement part free of charge. If no replacement part can be provided for such motor, we will replace your humidifier.

If your Humidifier motor fails any time within 1 (one) year after the date of installation due to a defect in material or workmanship, labor to repair the defect will be provided free of charge at our nearest service centre or at our Service Department in Memphis, Tennessee. You will be responsible for all parts and labor costs after this one-year period.

If your Humidifier water tank, filter frame, base, knobs, or tank cap fail any time within 1 (one) year after the date of sale to you due to a defect in material or workmanship, we will repair or, at our option, replace the water tank, filter frame, base, knobs, or tank cap free of charge for parts or labor performed at our nearest service centre or our Service Department in Memphis, Tennessee.

IF THE ORIGINAL RESIDENTIAL USER OR CONSUMER PURCHASER CEASES TO OWN THE HUMIDIFIER, THIS WARRANTY AND ANY IMPLIED WARRANTY WHICH THEN REMAINS IN EFFECT, INCLUDING BUT NOT LIMITED TO ANY IMPLIED WARRANTY OF MERCHANTABILITY OR FITNESS FOR A PARTICULAR PURPOSE, ARE VOIDED.

NO WARRANTY, EXPRESSED OR IMPLIED, INCLUDING ANY WARRANTY OF MERCHANTABILITY OR FITNESS FOR A PARTICULAR PURPOSE, IS MADE IN RESPECT TO THE FILTER.

THIS WARRANTY IS IN LIEU OF ALL OTHER EXPRESS WARRANTIES. THE DURATION OF ANY IMPLIED WARRANTY, INCLUDING BUT NOT LIMITED TO ANY IMPLIED WARRANTY OF MERCHANTABILITY OR FITNESS FOR A PARTICULAR PURPOSE, IN RESPECT TO THE MOTOR IS EXPRESSLY LIMITED TO THE PERIOD OF THE EXPRESS WARRANTY SET FORTH ABOVE.

This warranty is voided if your Humidifier is not purchased and used in the USA or Canada.

This warranty excludes and does not cover defects, malfunctions, or failures of the Humidifier which were caused by repairs by persons not authorized by us, use of parts, or accessories not authorized by us, mishandling, modifications, or damage to the Humidifier while in your possession, or unreasonable use, including failure to provide reasonable and necessary maintenance. This warranty does not cover humidifiers used in commercial applications. There are no express or implied warranties as to commercial purchasers or users.

Continued

To obtain service, contact Hunter Fan Company Service Department, 2500 Frisco Avenue, Memphis, Tennessee 38114, 1-888-830-1326. You will be responsible for insurance and freight or other transportation to our factory service center. We will return the Humidifier freight prepaid to you. The Humidifier should be properly packaged to avoid damage in transit since we will not be responsible for any such damage. Proof of purchase is required when requesting warranty service. The purchaser must present the sales receipt or other document that establishes proof of purchase.

IN NO EVENT SHALL HUNTER FAN COMPANY BE LIABLE FOR DIRECT, INDIRECT, SPECIAL, CONSEQUENTIAL OR INCIDENTAL DAMAGES IN EXCESS OF THE PURCHASE PRICE OF THE HUMIDIFIER. YOUR SOLE REMEDY WILL BE REPAIR OR REPLACEMENT AS PROVIDED ABOVE.

SOME AMERICAN STATES AND CANADIAN PROVINCES DO NOT ALLOW

- LIMITATIONS ON HOW LONG AN IMPLIED WARRANTY LASTS;
- THE EXCLUSION OR LIMITATION OF DIRECT, INDIRECT, SPECIAL, INCIDENTAL OR CONSEQUENTIAL DAMAGES;
- THE EXCLUSION OR INVALIDITY OF EXPRESS OR IMPLIED WARRANTIES IF THE USER CEASES TO OWN THE HUMIDIFIER;
- THE LIMITATION OF THE REMEDIES AND RECOURSES AVAILABLE TO THE PURCHASER;
OR
- THE INVALIDITY OF AN EXPRESS WARRANTY WHEN A PRODUCT IDENTIFIED BY BRAND NAME IS NOT USED (UNLESS SPECIFIC CONDITIONS ARE FULFILLED);

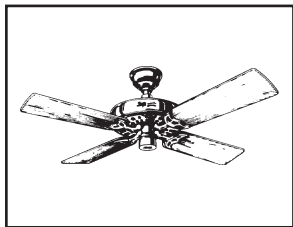
SO THE ABOVE LIMITATIONS OR EXCLUSIONS MAY NOT APPLY TO YOU.

THIS WARRANTY GIVES YOU SPECIFIC LEGAL RIGHTS AND YOU MAY ALSO HAVE OTHER RIGHTS WHICH VARY FROM STATE TO STATE OR PROVINCE TO PROVINCE.

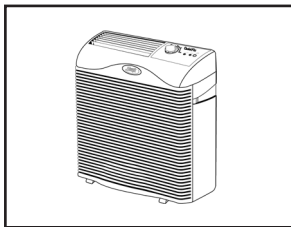
HUNTER FAN COMPANY
2500 FRISCO AVENUE
MEMPHIS, TN 38114, USA



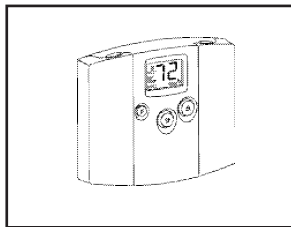
Other Home Comfort Products from Hunter



Hunter Original®



QuietFlo™
True HEPA Air Purifier



Programmable
Thermostat

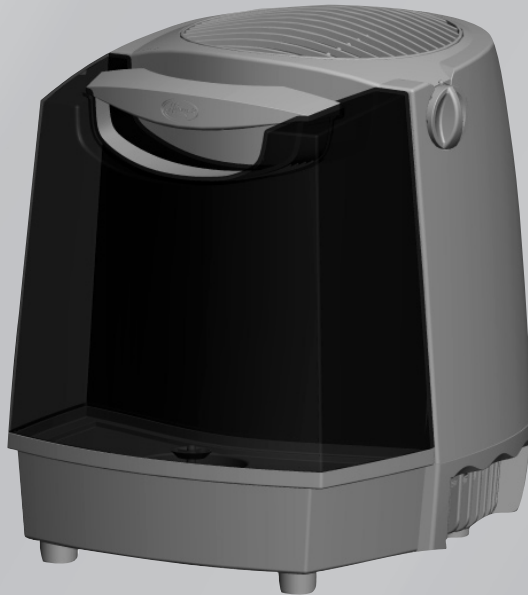
To learn more about Hunter Fan Company products, please see our web page at:
www.hunterfan.com

HUNTER FAN COMPANY
2500 FRISCO AVENUE
MEMPHIS, TN 38114, USA





Humidificador de Evaporación



Modelo 32200

Lea y guarde estas instrucciones.

ESPAÑOL

www.hunterfan.com

LEA Y GUARDE ESTAS INSTRUCCIONES

Instrucciones importantes de seguridad: Lea todas las instrucciones antes de usar este humidificador.

1. Este humidificador no puede funcionar correctamente en una superficie irregular. SIEMPRE coloque este humidificador en una superficie firme, nivelada y resistente al agua. SIEMPRE coloque el humidificador al menos a 15 cm (6") de distancia de las paredes y de fuentes de calor como estufas, radiadores o calentadores.
2. SIEMPRE coloque el humidificador en un área fuera del alcance de los niños.
3. Antes de usar el humidificador, extienda el cordón e inspecciónelo buscando cualquier señal de daños. NO use el producto si el cordón está dañado.
4. Este producto tiene un enchufe polarizado (una espiga es más ancha que la otra) como característica de seguridad. El enchufe sólo se podrá introducir en una toma polarizada de una sola manera. Si el enchufe no entra completamente en la toma de corriente, invierta el enchufe. Si todavía no encaja, contacte con un electricista calificado. NO trate de inhabilitar o anular esta característica de seguridad.
5. SIEMPRE DESCONECTE Y VACÍE el humidificador cuando no esté en funcionamiento o mientras se esté limpiando.
6. NO lo incline ni lo mueva durante su operación. Nunca mueva el humidificador mientras haya agua en el tanque. Vacíe el tanque de agua, apague y desconecte la unidad antes de moverla.
7. Además del mantenimiento de rutina que puede requerirse, este humidificador requiere limpieza por temporada. Consulte y siga las instrucciones LIMPIEZA DEL HUMIDIFICADOR Y DEL TANQUE DE AGUA.

Gracias por comprar el Humidificador de evaporación Care Free® de Hunter Fan Company. Lea y guarde estas instrucciones para obtener el máximo rendimiento y beneficio de su humidificador.

Cómo trabaja el humidificador de evaporación de Hunter®

El Humidificador de evaporación de Hunter® tiene un diseño único patentado con varias características innovadoras:

- Propiedades antimicrobianas incorporadas – Las partes plásticas y el filtro tienen propiedades antimicrobianas integradas para inhibir el crecimiento de bacterias, moho y hongos que pueden afectar dichos componentes.
- Sin polvo blanco – El Humidificador de evaporación de Hunter® no produce polvo blanco que pueda asentarse en los muebles o que pueda ser inhalado.

NOTA: Este producto contiene propiedades antimicrobianas incorporadas para inhibir el crecimiento de las bacterias que puedan afectar el material plástico y el filtro en el humidificador. Estas propiedades no se extienden al agua, aire humidificado o a los usuarios. Realice la limpieza y el mantenimiento periódicos según el uso y las condiciones individuales.

NOTA: Puede notar que se acumulan depósitos minerales en la base del tanque. Esto es normal y no afecta el funcionamiento. Si desea limpiar estos depósitos, consulte LIMPIEZA DEL HUMIDIFICADOR Y DEL TANQUE DE AGUA.

Partes del humidificador

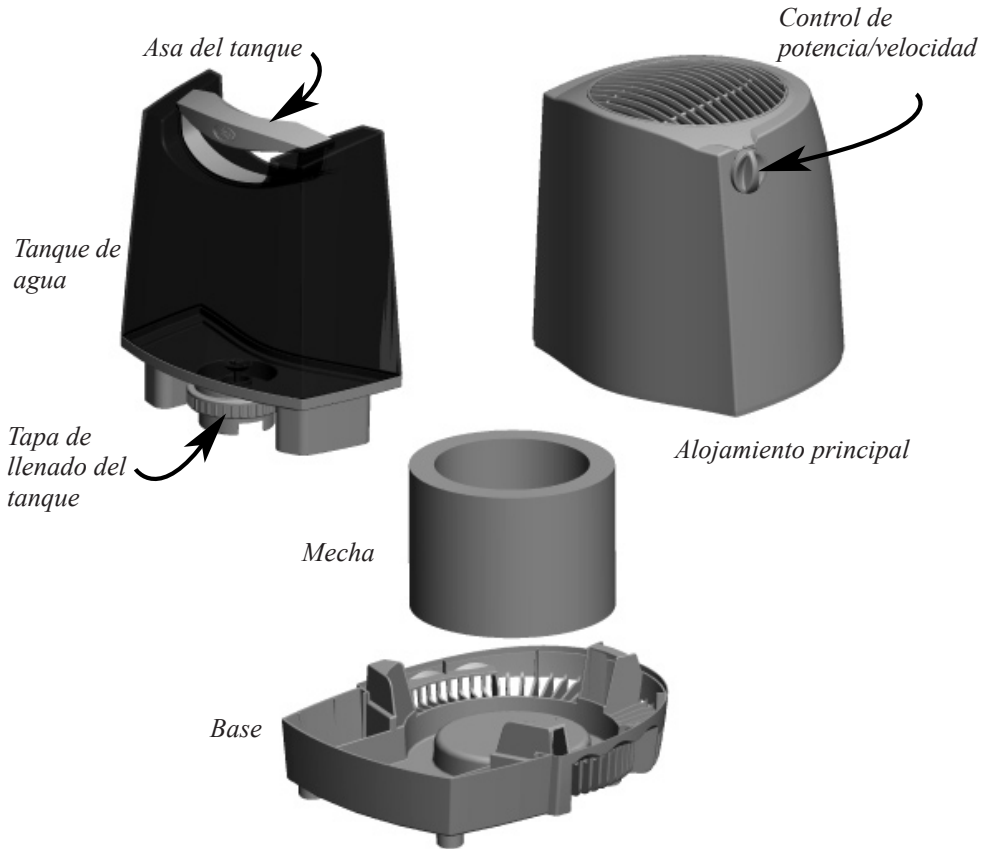
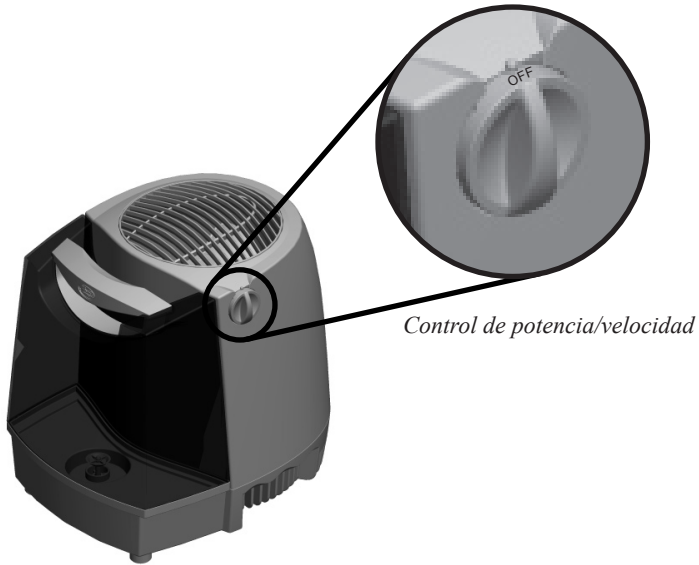


Figura 1

Uso de su Humidificador

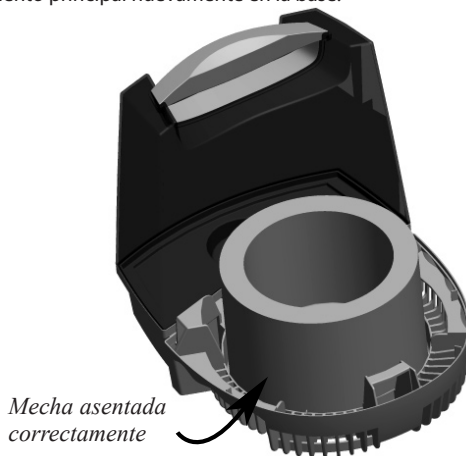
1. Retire el Humidificador de evaporación de Hunter® del paquete.
2. Coloque el humidificador en una superficie dura, plana y resistente al agua. Siempre coloque el humidificador al menos a 15 cm (6") de distancia de las paredes y de fuentes de calor.
3. Asegúrese de que el control de potencia/velocidad esté en posición de 'OFF' (apagado). NOTA: Siempre debe apagarse el control de potencia/velocidad antes de desconectar o mover el humidificador, o al recargar el tanque de agua. Vea la Figura 2.



Control de potencia/velocidad

Figura 2

4. Levante el alojamiento principal para asegurarse de que la mecha esté correctamente asentada, apoyándose en la parte inferior de la base y no inclinada o fuera de su posición. Vea la Figura 3. Coloque el alojamiento principal nuevamente en la base.



Mecha asentada correctamente

Figura 3

4. Tome el tanque de agua por el asa y retírelo de la base.
5. Invierta la posición del tanque y retire la tapa de llenado del tanque. Vea la Figura 4.



Figura 4

6. Llene el tanque de agua, coloque nuevamente la tapa de llenado del tanque en su posición y apriétela, y coloque nuevamente el tanque de agua en la base.
7. Conecte el cordón de alimentación del humidificador a una toma de corriente doméstica estándar.
8. Seleccione en el control de potencia/velocidad la velocidad del ventilador que desee para el humidificador. Vea la figura 5.

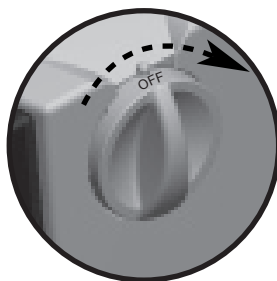


Figura 5

Recarga del tanque de agua

1. Si el nivel del tanque de agua es bajo, APAGUE el humidificador, y desconéctelo.
2. Retire el tanque y llévelo a un fregadero o bañera para llenarlo.
3. Invierta la posición del tanque y desenrosque la tapa del tanque girando en sentido antihorario. Vacíe el tanque, recargue con agua fría y fresca (jamás use agua caliente), y coloque nuevamente la tapa del tanque. Asegúrese de no llenar demasiado el tanque ya que pueden ocurrir daños en los muebles o en el suelo debidos a derrames de agua. HUNTER NO ACEPTARÁ RESPONSABILIDAD POR DAÑOS A LA PROPIEDAD CAUSADOS POR DERRAMES DE AGUA.
4. Coloque el tanque nuevamente en el humidificador. Voltee el tanque verticalmente y colóquelo sobre el humidificador. Asegúrese de que el tanque encaje correctamente en la base. Si el tanque está colocado correctamente en la base, usted podrá ver burbujas de aire que fluyen del tanque.

Limpieza del humidificador y del tanque de agua

Muchas regiones tienen agua dura con altas concentraciones de minerales. Cuando el agua se evapora del Humidificador de evaporación Hunter®, los minerales pueden permanecer. Estos minerales pueden formar una dura incrustación blanca que puede ser eliminada usando las siguientes instrucciones de limpieza. La frecuencia de limpieza debido a la acumulación de mineral puede variar según la calidad del agua que tenga.

Consulte los nombres de las partes en la Figura 1.

1. APAGUE el humidificador y desconecte la unidad.
2. Levante el alojamiento principal y retire la bandeja de dispersión de agua y la mecha. El motor está fijado al alojamiento principal. No coloque el motor cerca del agua. No use una toalla húmeda en el motor o alojamiento del motor ya que puede provocar un choque eléctrico.
3. Reemplace la mecha del humidificador cada 4 a 8 semanas o cuando su color haya oscurecido.
4. Retire el tanque de agua de la base y vacíe el agua que haya quedado en el tanque. Remoje la base en una mezcla de un (1) galón de agua y ocho (8) onzas de vinagre por 20 minutos. La base es apropiada para lavaplatos.
5. Después de remojar, limpie la base con una tela o esponja suave para retirar cualquier acumulación de minerales. Enjuague varias veces con agua limpia. Si piensa guardar el humidificador, asegúrese de que la base esté totalmente seca.
6. Llene el tanque de agua con un (1) galón de agua y ocho onzas de vinagre blanco sin diluir. Coloque nuevamente la tapa del tanque y agítelo enérgicamente hasta que la mezcla de agua y vinagre haya humedecido todas las superficies interiores del tanque.
7. Vacíe la mezcla de agua y vinagre del tanque. Enjuáguelo varias veces con agua limpia y luego coloque nuevamente la tapa del tanque. Si piensa guardar el humidificador, séquelo por dentro y por fuera, sin colocar la tapa para que el tanque pueda secarse completamente. Continúe con la limpieza de los otros componentes del humidificador.
8. Limpie las superficies del alojamiento principal con una tela suave.
9. Una vez que todos los componentes estén limpios, ensamble nuevamente el humidificador y siga las instrucciones de la sección USO DE SU HUMIDIFICADOR para continuar su uso. Si guarda el humidificador, asegúrese de que los componentes estén completamente secos, ensamble nuevamente, y guárdelo en un lugar seco.

Reemplazo de la mecha del humidificador

NOTA: La mecha del humidificador está hecha de papel y NO es lavable.

Con el tiempo, los minerales del agua se acumularán en la mecha del humidificador, disminuyendo su capacidad para absorber el agua y reduciendo el rendimiento del humidificador. Por lo tanto, usted debe reemplazar la mecha del humidificador cada 4 a 8 semanas, dependiendo de la dureza del agua.

1. APAGUE el humidificador y desconecte la unidad.
2. Levante el alojamiento principal, retírelo de la base, y colóquelo a un lado.
3. Sujete la mecha del humidificador, sosténgala sobre la base, y exprima para retirar el agua. Esto evitará que el agua caiga en el suelo. Usted también puede desear colocar una toalla alrededor de la mecha para evitar que chorree mientras que la traslada para su desecho.
4. Reemplace la mecha usada con una nueva Mecha para humidificador Hunter, número 31911. Usted podrá encontrar disponibles las nuevas mechas donde su vendedor Hunter local o en www.hunterfan.com.
5. Asegúrese de que la mecha esté asentada correctamente, apoyándose sobre la parte inferior de la base y no inclinada o fuera de su posición.
6. Retorne el alojamiento principal a su posición sobre la base. Asegúrese de que el alojamiento principal esté asentado apropiadamente sobre la base.
7. Conecte el cordón de alimentación del humidificador a una toma de corriente doméstica estándar y seleccione en el control de potencia/velocidad el ajuste que desee.

Partes de repuesto

Para obtener una parte de repuesto para su humidificador, llame al Servicio al cliente al 1-888-830-1326 o escríbanos a techsupport@hunterfan.com. Debe estar preparado para indicar al operador el número de modelo de su humidificador y el nombre y número de parte del componente que debe reemplazar. Consulte los nombres de las partes en la Figura 1.

Modelo N°:	Base	Tanque de agua	Perilla A	Tapa del tanque	Filtro
32200	97676	97678	76257	87843	31911

Hunter Fan Company

Humidificador de evaporación Hunter®

GARANTÍA LIMITADA DE 5 AÑOS

Hunter Fan Company, Inc. otorga la siguiente garantía al usuario o comprador residencial original del Humidificador de evaporación:

Si cualquier pieza del Humidificador de evaporación ("Humidificador") falla durante los primeros 5 (cinco) años desde la fecha de instalación debido a un defecto en el material o en la mano de obra, proporcionaremos una pieza de repuesto en forma gratuita. Si no puede suministrarse la parte de reemplazo para dicho motor, reemplazaremos su humidificador.

Si su humidificador falla dentro de un (1) año después de la fecha de instalación debido a un defecto en el material o en la realización, se suministrará gratuitamente la mano de obra para reparar la falla en nuestro centro de servicio más cercano o en nuestro Departamento de Servicio en Memphis, Tennessee. Usted será responsable por el costo de las piezas y la mano de obra después de este período de un año.

Si el tanque de agua, marco del filtro, base, perillas o tapa del tanque de su humidificador fallan en cualquier momento dentro de un (1) año a partir de la fecha de compra debido a un defecto de material o mano de obra, repararemos o a nuestra opción, reemplazaremos el tanque de agua, marco del filtro, la base, perillas o tapa del tanque sin ningún cargo para usted por partes o mano de obra en nuestro centro de servicio más cercano o en nuestro Departamento de Servicio en Memphis, Tennessee.

SI EL USUARIO O COMPRADOR RESIDENCIAL ORIGINAL DEJA DE POSEER EL HUMIDIFICADOR, ESTA GARANTÍA Y CUALQUIER GARANTÍA IMPLÍCITA QUE PERMANEZCA EN EFECTO, INCLUYENDO PERO SIN LIMITARSE A TODA GARANTÍA IMPLÍCITA DE COMERCIABILIDAD O IDONEIDAD PARA UN PROPÓSITO PARTICULAR, QUEDA ANULADA.

NO SE OFRECE NINGUNA GARANTÍA EXPRESA O IMPLÍCITA, INCLUYENDO CUALQUIER GARANTÍA DE COMERCIABILIDAD O IDONEIDAD PARA UN PROPÓSITO PARTICULAR, EN RELACIÓN CON EL FILTRO.

ESTA GARANTÍA SUSTITUYE A TODAS LAS OTRAS GARANTÍAS EXPRESAS. LA DURACIÓN DE TODA GARANTÍA IMPLÍCITA, INCLUYENDO PERO SIN LIMITARSE A CUALQUIER GARANTÍA IMPLÍCITA DE COMERCIABILIDAD O IDONEIDAD PARA UN PROPÓSITO PARTICULAR, RELACIONADA CON EL MOTOR ESTÁ EXPRESAMENTE LIMITADA AL PERÍODO DE LA GARANTÍA EXPRESA ESTABLECIDA ANTERIORMENTE.

Esta garantía es nula si su humidificador no se adquiere y usa en los EE.UU. o Canadá.

Esta garantía excluye y no cubre defectos, funcionamientos defectuosos o fallas del Humidificador que fueran ocasionados por reparaciones por parte de personas no autorizadas por nosotros, por el uso de piezas o accesorios no autorizados por nosotros, por mal uso, modificaciones, o daños al Humidificador mientras esté en su posesión, o por un empleo no razonable, incluyendo la falta de suministrar un razonable y necesario mantenimiento. Esta garantía no cubre humidificadores usados en aplicaciones comerciales. No hay garantías expresas o implícitas en lo que respecta a compradores o usuarios comerciales.

Continuación

Para obtener servicio, contacte Departamento de servicio de Hunter Fan Company, en 2500 Frisco Avenue, Memphis, Tennessee 38114, 1-888-830-1326. Usted será responsable por el seguro y el flete u otro transporte hasta nuestro centro de servicio en la fábrica. Devolveremos el humidificador con el flete prepagado a usted. El humidificador debe estar adecuadamente embalado para evitar daños mientras esté en tránsito, ya que no seremos responsables de dichos daños. Debe proporcionar una prueba de su compra cuando solicite un servicio de garantía. El comprador debe presentar el recibo de compra u otro documento que establezca la prueba de su compra.

EN NINGÚN CASO, HUNTER FAN COMPANY SERÁ RESPONSABLE DE DAÑOS DIRECTOS, INDIRECTOS, CUANTIFICABLES, PERJUDICIALES O ACCESORIOS, EN EXCESO DEL PRECIO DE COMPRA DEL HUMIDIFICADOR. SU ÚNICO RECURSO SERÁ LA REPARACIÓN O EL REEMPLAZO COMO SE ESTIPULÓ ANTERIORMENTE.

ALGUNOS ESTADOS NORTEAMERICANOS Y ALGUNAS PROVINCIAS CANADIENSES NO PERMITEN

- LIMITACIONES SOBRE LA DURACIÓN DE UNA GARANTÍA IMPLÍCITA;
- LA EXCLUSIÓN O LIMITACIÓN DE DAÑOS DIRECTOS, INDIRECTOS, CUANTIFICABLES, ACCESORIOS O PERJUDICIALES;
- LA EXCLUSIÓN O NULIDAD DE LAS GARANTÍAS EXPRESAS O IMPLÍCITAS SI EL USUARIO DEJA DE POSEER EL HUMIDIFICADOR;
- LA LIMITACIÓN DE LOS REMEDIOS Y RECURSOS DISPONIBLES AL COMPRADOR; O
- LA NULIDAD DE UNA GARANTÍA EXPRESA CUANDO NO SE USA UN PRODUCTO IDENTIFICADO POR NOMBRE DE MARCA (A MENOS QUE SE CUMPLAN CONDICIONES ESPECÍFICAS);

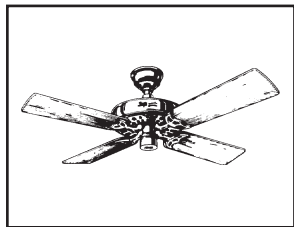
DE MODO QUE LAS LIMITACIONES O EXCLUSIONES ANTES MENCIONADAS PUEDEN NO APLICARSE A USTED.

ESTA GARANTÍA LE DA DERECHOS LEGALES ESPECÍFICOS, PERO USTED TAMBIÉN PUEDE TENER OTROS DERECHOS QUE VARÍAN DE ESTADO A ESTADO O DE PROVINCIA A PROVINCIA.

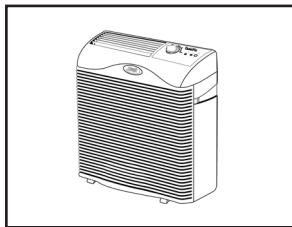
HUNTER FAN COMPANY
2500 FRISCO AVENUE
MEMPHIS, TN 38114, USA



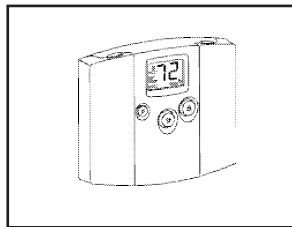
Otros productos Hunter para la comodidad de su hogar



Hunter Original®



Purificador de aire
True HEPA
QuietFlo™



Termostato
programable

Para obtener más información sobre los productos Hunter Fan Company,
visite nuestra página Web en:

www.hunterfan.com

HUNTER FAN COMPANY
2500 FRISCO AVENUE
MEMPHIS, TN 38114, USA



Free Manuals Download Website

<http://myh66.com>

<http://usermanuals.us>

<http://www.somanuals.com>

<http://www.4manuals.cc>

<http://www.manual-lib.com>

<http://www.404manual.com>

<http://www.luxmanual.com>

<http://aubethermostatmanual.com>

Golf course search by state

<http://golfingnear.com>

Email search by domain

<http://emailbydomain.com>

Auto manuals search

<http://auto.somanuals.com>

TV manuals search

<http://tv.somanuals.com>