



# The Care Free<sup>®</sup> Ultra Evaporative Humidifier



ENGLISH  
See page 2

Espanol  
Voir page 10

Models 34200 & 34203

## Read and Save These Instructions

### Important Safety Instructions: Read all instructions before using this humidifier.

Thank you for purchasing the Care Free® Ultra Evaporative Humidifier by Hunter Fan Company. Please read and save these instructions to receive maximum benefit and performance from your humidifier.

1. This humidifier may not work properly on an uneven surface. **ALWAYS** place this humidifier on a firm, level and water resistant surface. **ALWAYS** place the humidifier at least six (6) inches away from walls and heat sources such as stoves, radiators or heaters.
2. **ALWAYS** place the humidifier in an area that is out of the reach of children.
3. Before using the humidifier, extend the cord and inspect for any sign of damage. **DO NOT** use the product if the cord has been damaged.
4. This product has a polarized plug as a safety feature (one blade is wider than the other). This plug will fit into a polarized outlet only one way. If the plug does not fully fit into the outlet, reverse the plug. If it still does not fit, contact a qualified electrician. **DO NOT** attempt to defeat or override this feature.
5. **ALWAYS unplug and empty** the humidifier when it is not in operation or while it is being cleaned.
6. **DO NOT** tilt or move the humidifier while it is in operation. Never move the humidifier while there is water in the tank. Empty the water tank, turn the unit off, and unplug the unit before moving.
7. In addition to routine maintenance which may be required, this humidifier requires seasonal cleaning. Refer to and follow the instructions for **CLEANING THE HUMIDIFIER AND THE WATER TANK**.
8. This unit was designed to be used with distilled and/or tap water. **DO NOT** add scented oils, perfumes or fragrance additives to the water.

## How the Care Free® Ultra Evaporative Humidifier Works

The Care Free® Ultra Evaporative Humidifier has a unique, patented design with several innovative features:

- **Wickless Humidifier** – Hunter's exclusive system does not require a wick to create humidity. Water is transported up the tube and is dispersed by centrifugal force against the Atomizer. The tiny water particles created from this impact are then evaporated by the oncoming air stream and the moist air is released through the exhaust vents beneath the Water Tank.
- **Simple Pump System** – By dispersing water via centrifugal force through openings in the funnel pump, stagnant water in the reservoir is eliminated and the buildup of mineral residue that can clog conventional pump systems and impede performance is eliminated.
- **Built-In Antimicrobial Properties** – The plastic parts in this humidifier and the filter have built-in antimicrobial properties to inhibit the growth of bacteria, mold and fungi that may affect these parts.

**NOTE:** The antimicrobial properties built-into this humidifier do not extend to the water, humidified air or users. Conduct routine cleaning and maintenance based upon use and individual conditions.

- **No White Dust** – The Care Free® Ultra Evaporative Humidifier produces no white dust that can settle on furniture or be inhaled.

**NOTE:** You may notice mineral deposits accumulating in the tank base or on other components. This is normal and comes with regular usage conditions. If you would like to remove these deposits and maintain humidifier performance, please see the section **CLEANING THE HUMIDIFIER AND THE WATER TANK**.

# Assembly of Humidifier Parts

**ATTENTION:** Before operating the unit, remove the tape strips located on the bottom of the power pack. These tape strips are used to secure the pump components during shipment and should be removed prior to operation. See Figure 1.

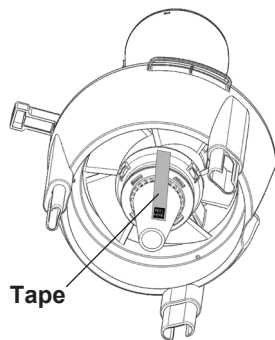


Figure 1

1. Remove the Care Free® Ultra Evaporative Humidifier from its packaging.
2. Select a location for your humidifier. The location should be flat, hard, water-resistant and at least six (6) inches away from walls and sources of heat.

**HUNTER WILL NOT ACCEPT RESPONSIBILITY FOR DAMAGE DUE TO WATER SPILLAGE.**

3. Remove the Lower Reservoir (marked with the number 2) from the Water Tank and Upper Reservoir (marked with the number 1). See Figure 2.

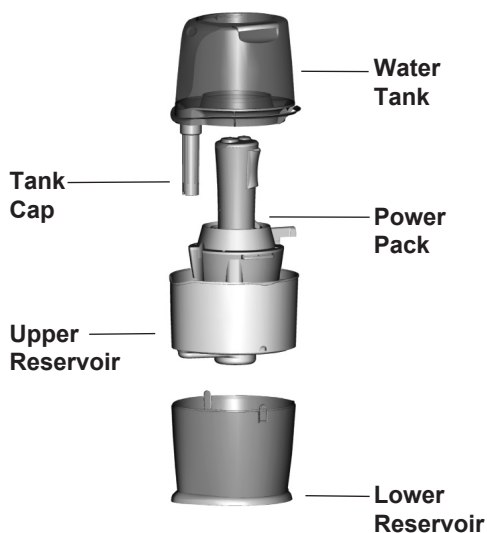


Figure 2

4. Set the Lower Reservoir on the flat, hard surface you have chosen.

**NOTE:** Once the unit has been filled with water and is operating, you should not use the Upper Reservoir handles or Water Tank handles to pick up and relocate the humidifier without emptying all water from the humidifier. Prior to moving

the humidifier, check the water window in the Lower Reservoir for water. If there is water in the Lower reservoir, remove the Water Tank and Upper Reservoir and drain all water.

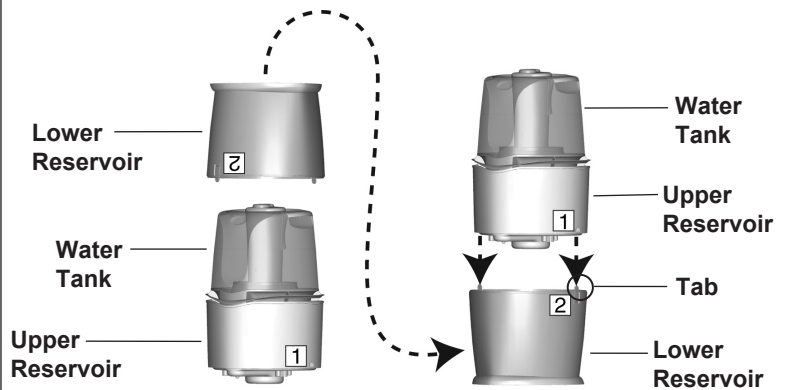


Figure 3

5. Lift the Upper Reservoir (marked with the number 1) and Water Tank and place them on top of the Lower Reservoir (marked with the number 2) so that the two tabs in the Lower Reservoir snap into the Upper Reservoir. See Figure 3.
6. Take the Water Tank to a sink or tub to fill with water.
7. Unscrew the Tank Cap by twisting it counterclockwise and fill the Water Tank with cool water. NEVER USE HOT WATER. See Figure 4.

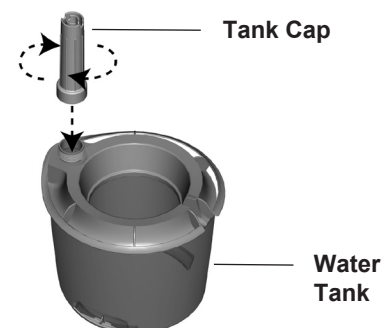


Figure 4

8. Replace the Tank Cap by screwing it back onto the Water Tank clockwise. Securely tighten the Tank Cap and make sure it is properly sealed. See Figure 5.

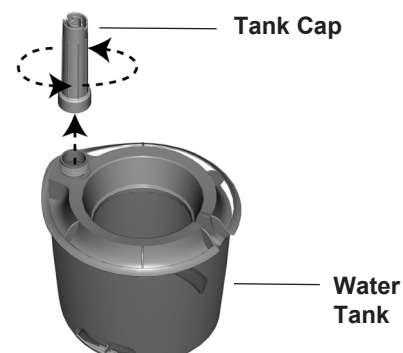


Figure 5

9. Carrying the Water Tank by the two upper handles on the top of the Tank, position the Water Tank so that the notch in the back fits over the power supply cord and the Tank Cap in front fits into the cut-out area of the Power Pack. See Figure 6.

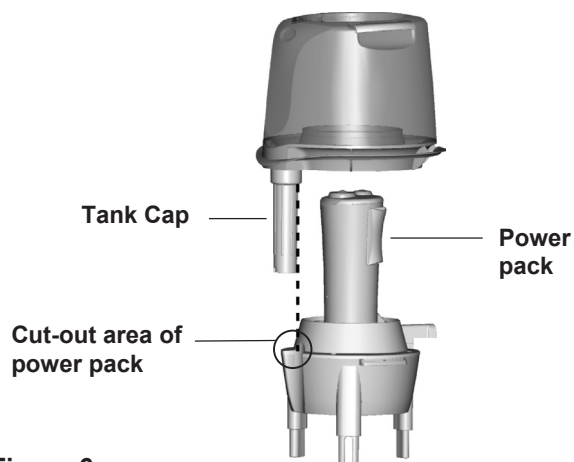


Figure 6

**NOTE:** Do not carry the Water Tank by the exhaust vents. See Figure 7.

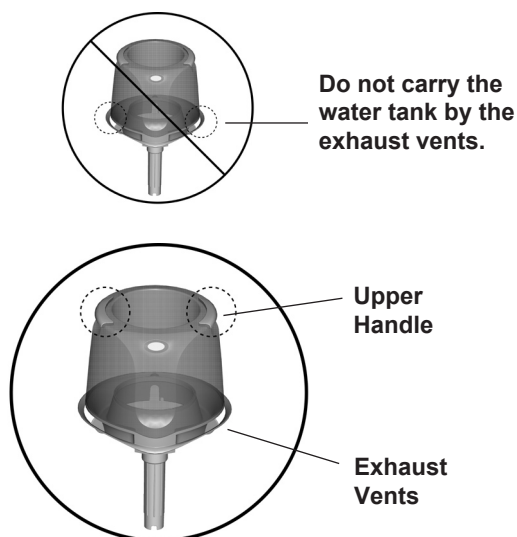


Figure 7

10. If the Water Tank is properly seated, you will see air bubbles flowing up into the tank. If you do not see air bubbles, reposition the Water Tank as instructed above. Make sure the Power Knob is set to OFF and plug the humidifier into the wall outlet.

**CAUTION:** Never plug in the humidifier while your hands are wet, as electric shock could occur.

11. Thread the power cord through both power cord clips on the back of the humidifier.  
12. Turn the Power Knob to the desired setting.

**NOTE:** If the Water Tank is not seated properly on the Power Pack, it will not turn on.

## Operating Your Humidifier

1. **Adjustable Humidistat** – Allows you to adjust the humidity setting. See Figure 8.

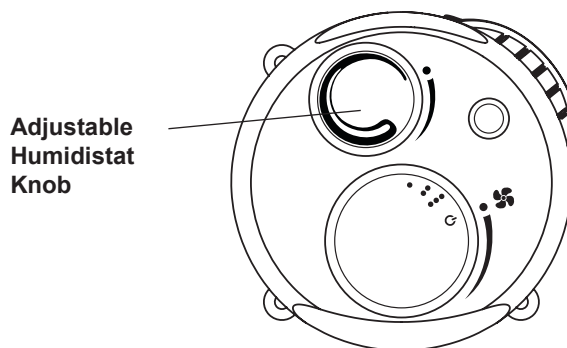


Figure 8

- Turn the dial to the right to increase humidity.
- Turn the dial to the left to decrease humidity.

2. **Power Knob** – Allows you to set a desired speed level. See Figure 9.

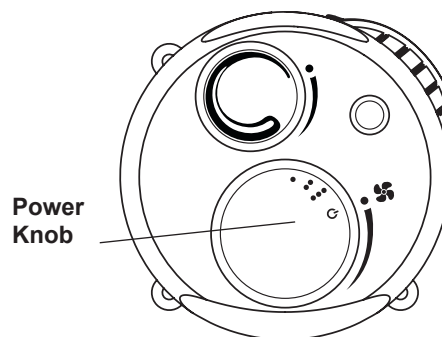


Figure 9

Turn the dial to set the speed to High, Medium, Low and Off. See figure 10.

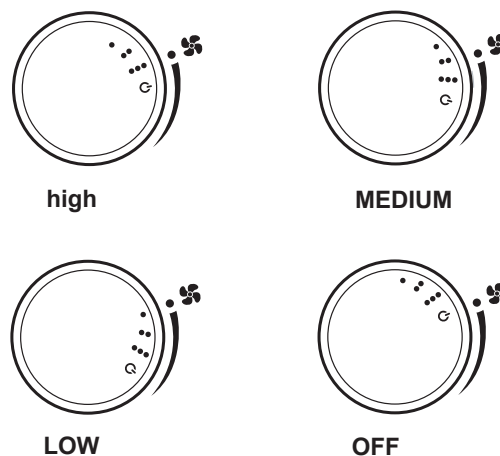


Figure 10

3. **NiteGlo™ Night Light Control (model 34203 only):** Turns the night light 'ON' and 'OFF'. The night light can be turned on even if the humidifier fan is turned off. See figure 11.

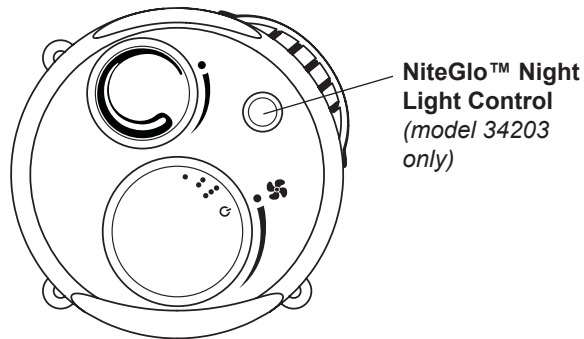


Figure 11

## Refilling The Water Tank

1. When the water level is low, turn the Power Knob to OFF and unplug the humidifier.
2. Lift the Water Tank and take it to the sink or a tub to refill.

**NOTE:** Do not carry the Water Tank by the exhaust vents.

3. Turn the Water Tank over and unscrew the Tank Cap by twisting it counterclockwise. See Figure 12.

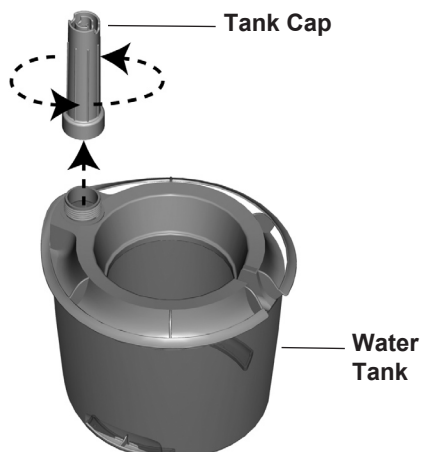


Figure 12

4. Empty the Water Tank and refill it with fresh, cool water. **NEVER USE HOT WATER.**
5. Replace the Tank Cap by screwing it clockwise onto the Water Tank. See Figure 13.

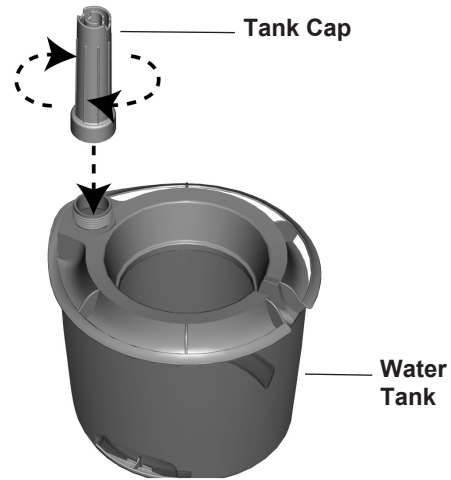


Figure 13

6. Carrying the Water Tank by the two upper handles on the top of the Tank, position the Water Tank so that the notch in the back fits over the power supply cord and the Tank Cap in front fits into the cut-out area of the Power Pack. If the Water Tank is properly seated, you will see air bubbles flowing up into the tank. If you do not see air bubbles, reposition the Water Tank as instructed above.

**CAUTION: Never plug in the humidifier while your hands are wet, as electric shock could occur.**

7. Make sure the Power Knob is set to OFF and plug the humidifier into the wall outlet.
8. Turn the Power Knob to the desired setting.

## Cleaning the Humidifier and the Water Tank

Many regions have hard water with high concentrations of minerals. When water evaporates from the Care Free® Ultra Evaporative Humidifier, minerals may be left behind. These minerals can form a hard white scale which can be removed by following the cleaning instructions. The frequency of cleaning due to mineral build-up varies depending on the quality of water you have.

1. Turn the Power Knob to OFF and unplug the humidifier.
2. Remove the Water Tank and carry it to a sink or a tub. Unscrew the Tank Cap by twisting it counterclockwise and empty any water in the Water Tank.
3. Lift the Power Pack and locate the three tabs on the top of the Funnel Pump Assembly. Press the three tabs in and remove the Funnel Pump by pulling away from the underside of the fan blade.

- Remove the Pump Cap from the Funnel Pump by holding the Pump Cap securely in one hand while twisting the Funnel Pump in a clockwise direction. This will unlock the two components. See Figures 14a and 14b.

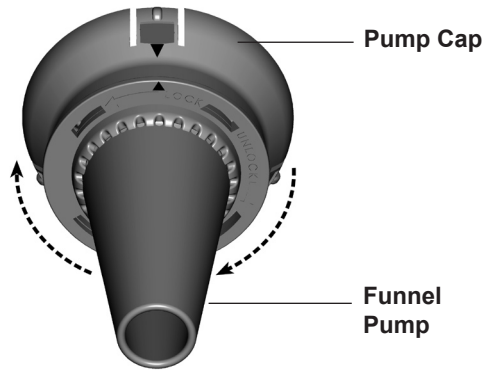


Figure 14a

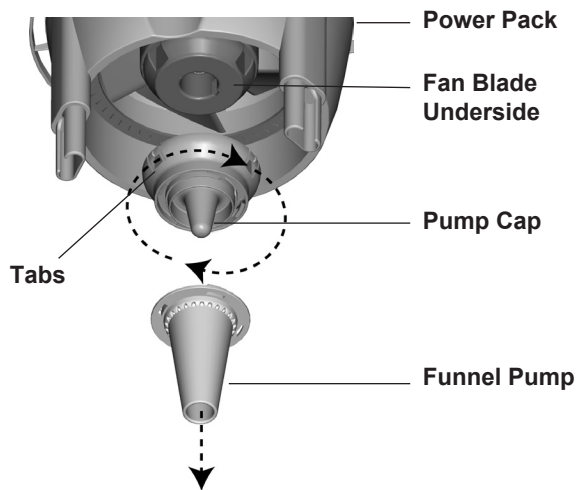


Figure 14b

- Remove the Atomizer and the Upper Reservoir. See Figure 15.

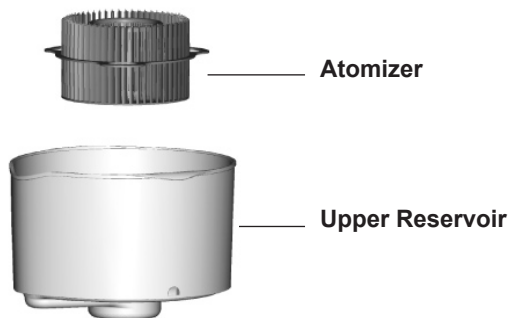


Figure 15

- Soak the Upper Reservoir, Funnel Pump, Pump Cap, and Atomizer in a solution of one (1) gallon of water and eight (8) ounces of vinegar for 30 minutes.

- Soak the Upper Reservoir, Funnel Pump, Pump Cap, and Atomizer in a solution of one (1) gallon of water and eight (8) ounces of vinegar for 30 minutes.

**NOTE:** If the Atomizer is covered with hard white scale, you may want to run this component through the dishwasher to loosen the scale before soaking.

**The Atomizer is the only dishwasher-safe component and may be placed in the top rack only.**

- To clean the Water Tank, fill the tank with one (1) gallon of water and eight (8) ounces of vinegar. Replace the Tank Cap tightly and shake the Water Tank vigorously until all interior surfaces have been exposed to the solution.
- Rinse the Water Tank several times with cool, clean water.
- After soaking, rinse the components with clean water several times. Use a soft cloth or sponge to remove any build-up. Allow the components to dry completely if you plan to store the humidifier.
- To clean the surfaces of the Power Pack, wipe with a dry, soft cloth.

## Reassembly of Humidifier Parts

- Set the Lower Reservoir on the flat, hard surface you have chosen.
- Attach the Upper Reservoir to the Lower Reservoir by engaging the two tabs on the sides. See Figure 16.

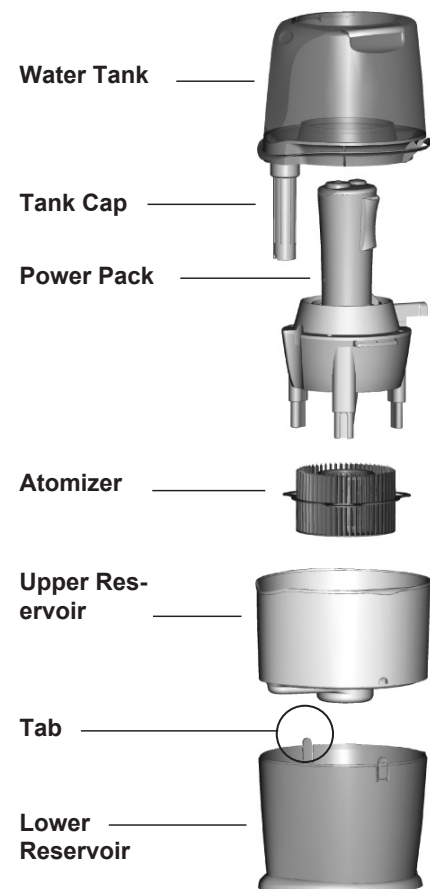


Figure 16

- Place the Atomizer in the Upper Reservoir, aligning the three oval holes in the Atomizer with the three prongs in the Upper Reservoir. The side of the Atomizer with three short posts should be facing upward. See Figure 17.

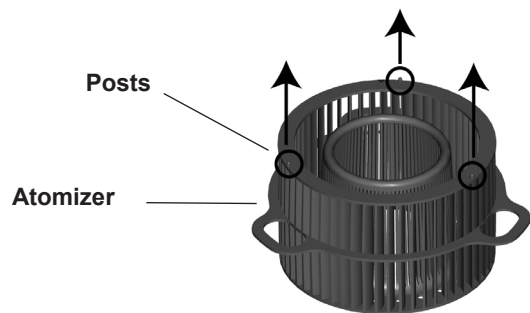


Figure 17

- Assemble the Pump Cap and the Funnel Pump by aligning the arrows on both components and inserting the Funnel Pump into the Pump Cap. Twist the Funnel Pump counter-clockwise until the two components snap together. See figures 18a and 18b.

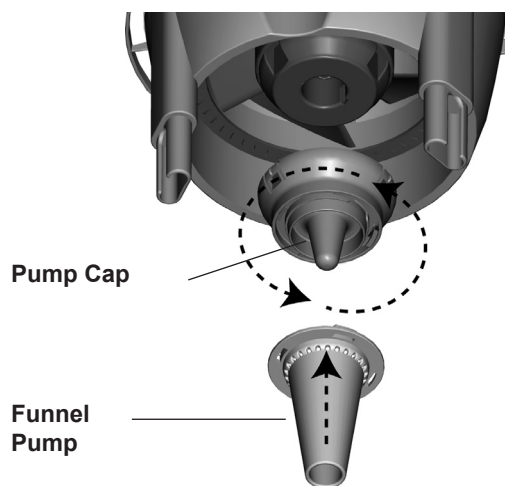


Figure 18a

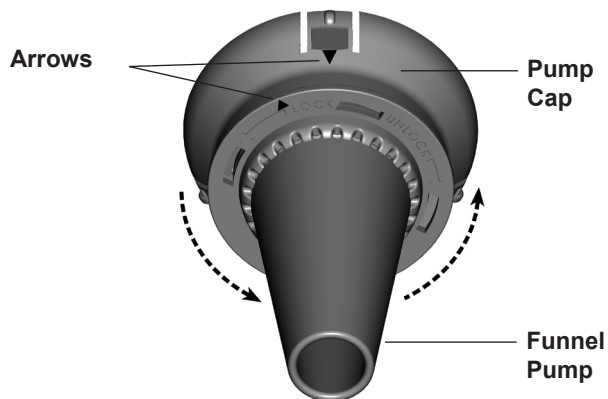


Figure 18b

- Attach the Funnel Pump Assembly to the Power Pack by engaging the three tabs on the underside of the fan blade. See Figure 19.

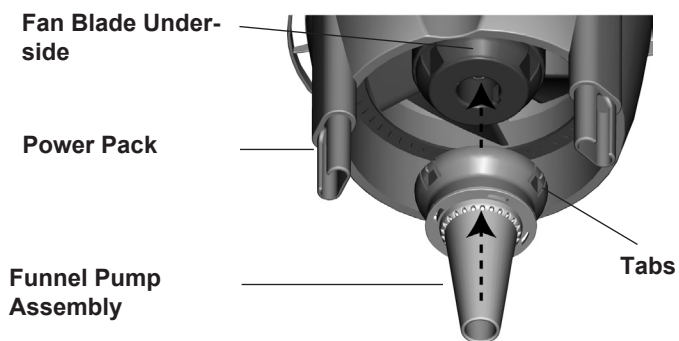


Figure 19

- Place the Power Pack into the Upper Reservoir so that the three prongs in the Power Pack go through all three holes in the Atomizer and into the three prongs in the base of the Upper Reservoir. Make sure the Power Pack is securely seated and all three prongs are in the proper position. See Figure 20.

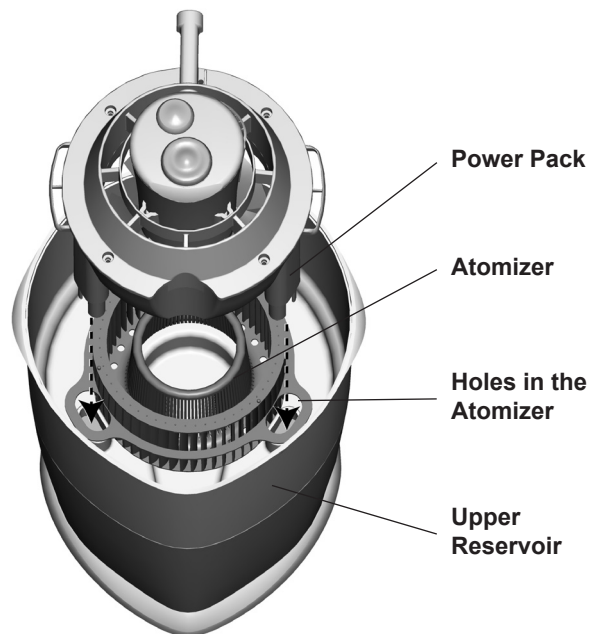


Figure 20

**NOTE:** The prongs will only fit into the Upper Reservoir one way.

- Follow the directions in the section **REFILLING THE WATER TANK** to complete reassembly.

## Relocating the Humidifier

If you wish to move your humidifier to a different location, follow the instructions as listed below. **DO NOT** attempt to carry the humidifier when there is water in the Upper Reservoir, Lower Reservoir, or the Water Tank.

1. Turn the Power Knob to OFF and unplug the humidifier.
2. Remove the Water Tank from the Upper Reservoir and drain all water.
3. Remove the Upper Reservoir from the Lower Reservoir and drain all water.
4. If there is water in the Lower Reservoir, drain all water.
5. Set the Lower Reservoir on the hard, flat surface you have chosen.
6. Continue assembly as outlined in the section **REASSEMBLY OF HUMIDIFIER PARTS**.

## Troubleshooting

### Problem:

Excessive noise.

### Solution:

1. Check the Water Tank to make sure it is properly seated on the Power Pack.
2. Check the Water Tank to make sure there are no bubbles when the Water Tank is full and running. If there are bubbles, turn the unit OFF until the bubbling stops. When the bubbling has stopped, set the unit to the desired speed.
3. Remove and clean the Pump Cap and Funnel Pump. Refer to the section on **CLEANING THE HUMIDIFIER AND THE WATER TANK**.

### Problem:

Humidifier not working.

### Solution:

1. Make sure the Power Knob is not set to OFF.
2. Adjust the humidity level using the Power Knob and the Adjustable Humidistat. Once the room reaches the set humidity level, the humidifier will turn OFF; this is normal.
3. Make sure the Power Pack and Water Tank are both fully seated in the three tabs on the Upper Reservoir.
4. Make sure the Atomizer is facing the proper direction.

### Problem:

Humidifier will not turn on.

### Solution:

1. Check the three posts on the top surface of the Atomizer are properly engaged. The side of the Atomizer with three short posts should be facing upward.
2. Make sure the Water Tank is properly seated on the Power Pack.

### Problem:

Mineral build-up on the Water Tank or Upper Reservoir.

### Solution:

1. Refer to the section on **CLEANING THE HUMIDIFIER AND THE WATER TANK**.

### Problem:

Humidity output and water usage decreased.

### Solution:

1. Make sure the Atomizer is positioned correctly, with the side with three posts facing upward.
2. Check the Adjustable Humidistat and Power Knob to make sure they are set to the desired humidity level.
3. Check the Water Tank to make sure there are no bubbles when the Water Tank is full and running. If there are bubbles, turn the unit OFF until the bubbling stops. When the bubbling has stopped, set the unit to the desired speed.
4. Clean any components that have mineral build-up. Refer to the section on **CLEANING THE HUMIDIFIER AND THE WATER TANK**.

### Problem:

Excessive water drainage into lower reservoir.

### Solution:

1. Make sure the Tank Cap on the Water Tank is tightened sufficiently and properly sealed.

**If you have questions or problems, please call  
1-888-830-1326 for assistance before returning the unit to  
the retailer.**

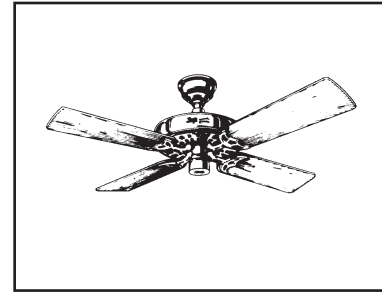


## Service Parts

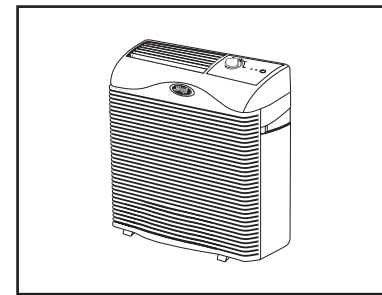
To obtain a service part for your humidifier, call Hunter Customer Service at 1-888-830-1326 or e-mail us at [Techsupport@hunterfan.com](mailto:Techsupport@hunterfan.com). Please be prepared to tell the operator the model number of your humidifier, the name of the part you need to replace, and the part number.

Model	34200	34203
Atomizer	96146-01-325	96146-01-325
Funnel Pump	96150-01-325	96150-01-507
Pump Cap	96149-01-325	96149-01-507
Adjustable Humidistat Knob	86596-01-325	86596-01-520
Power Knob	86592-01-325	86592-01-520
Tank Cap	96334-01-325	96147-01-325
Water Tank	96333-01-510	96334-02-510

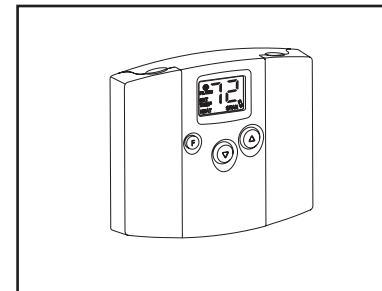
## Other Home Comfort Products from Hunter



Hunter Original®



QuietFlo™ True HEPA Air Purifier



Programmable Thermostat

HUNTER FAN COMPANY  
2500 FRISCO AVENUE  
MEMPHIS, TN 38114, USA



To learn more about Hunter Fan Company products, please see our web page at:  
[www.hunterfan.com](http://www.hunterfan.com)



# El Vaporizador Care Free® Ultra



ENGLISH  
See page 2

Espanol  
Voir page 10

Models 34200 & 34203

## LeA y guarde estas instrucciones

Instrucciones importantes de seguridad: lea todas las instrucciones antes de usar este vaporizador.

Gracias por comprar el Vaporizador Care Free® Ultra de Hunter Fan Company. Lea y guarde estas instrucciones para obtener el máximo beneficio y eficiencia de su vaporizador.

1. **Es posible que este vaporizador no funcione correctamente en una superficie irregular. Coloque SIEMPRE el vaporizador en una superficie firme, horizontal y resistente al agua. Coloque SIEMPRE el vaporizador mínimo a seis (6) pulgadas de paredes y fuentes de calor tales como estufas, radiadores o calentadores.**
2. **Coloque SIEMPRE** el vaporizador en un área fuera del alcance de los niños.
3. Antes de usar el vaporizador, extienda el cable y revise si tiene algún daño. **NO** use el producto si el cable está dañado.
4. Este producto cuenta con un enchufe polarizado como medida de seguridad (una clavija es más ancha que la otra). Este enchufe entrará de un solo modo en la toma de corriente polarizada. Si el enchufe no entra en la toma, invierta el enchufe. Si todavía no entra, contacte a un electricista calificado. **NO** intente ignorar o anular esta característica.
5. Desenchufe y deje vacío **SIEMPRE** el vaporizador cuando no está en funcionamiento o mientras lo está limpiando.
6. **NO** incline ni mueva el vaporizador mientras está en funcionamiento. Nunca mueva el vaporizador si tiene agua en el tanque. Vacíe el tanque de agua, apague la unidad y desenchúfela antes de moverla.
7. Además del mantenimiento de rutina necesario, este vaporizador necesita de una limpieza habitual. Consulte y siga las instrucciones para **LIMPIAR EL VAPORIZADOR Y EL TANQUE DE AGUA**.
8. El diseño de esta unidad requiere del uso de agua destilada o agua del grifo. **NO** añada aceites aromáticos, perfumes o fragancias al agua.

## Cómo funciona el Vaporizador Care Free® Ultra

El Vaporizador Care Free® Ultra tiene un diseño único patentado con varias características novedosas:

- **Vaporizador sin mecha** – El sistema exclusivo de Hunter no necesita una mecha para producir humedad. El agua se transporta por el tubo y se dispersa por la fuerza centrífuga contra el atomizador. Las pequeñas partículas de agua producidas por el impacto son evaporadas por la corriente de aire y el aire húmedo es liberado a través de los ductos de escape que están debajo del tanque de agua.
- **Sistema de bomba sencillo** – Al dispersar el agua mediante la fuerza centrífuga por las aberturas de la bomba de embudo, se elimina el agua estancada en el depósito y el residuo mineral acumulado que puede obstruir los sistemas de bombas convencionales e impedir un buen rendimiento.
- **Propiedades antibacteriales integradas** – Las piezas plásticas del vaporizador y el filtro tienen propiedades antibacteriales integradas para evitar el desarrollo de bacterias, moho y hongos.

**NOTA:** Las propiedades antibacteriales integradas en el vaporizador no se extienden al agua, al vapor o a los usuarios. Realice una rutina de limpieza y mantenimiento de acuerdo al uso y a las condiciones individuales.

- **Sin polvo blanco** – El Vaporizador Care Free® Ultra no produce polvo blanco que se puede adherir a los muebles o se puede inhalar.

**NOTA:** Es posible que detecte sedimentos minerales acumulados en la base del tanque o en otros componentes. Esto es un resultado común del uso de la unidad en condiciones normales. Si quiere quitar estos sedimentos y mantener el rendimiento del vaporizador, consulte la sección **LIMPIAR EL VAPORIZADOR Y EL TANQUE DE AGUA**.

## Armar las piezas del vaporizador

**ATENCIÓN:** Antes de operar la unidad, retire la tira de cinta ubicada en la parte inferior de la unidad de alimentación. Estas tiras se utilizan para asegurar los componentes de la bomba durante el envío y deben retirarse antes de la operación. Vea la figura 1.

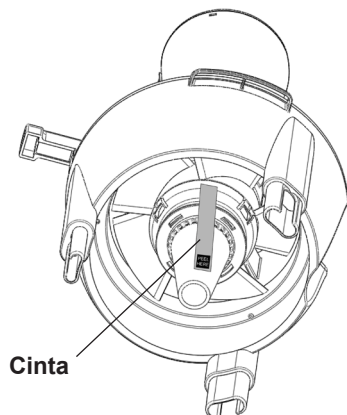


Figura 1

1. Saque el Vaporizador Care Free® Ultra de su empaque.
2. Seleccione un lugar para colocar su vaporizador. El lugar debe ser plano, firme, resistente al agua y que esté mínimo a seis (6) pulgadas de paredes y fuentes de calor.

### HUNTER NO ES RESPONSABLE POR LOS DAÑOS CAUSADOS POR DERRAMES DE AGUA.

3. Saque el depósito inferior (marcado con el número 2) del tanque de agua y el depósito superior (marcado con el número 1). Vea la figura 3.

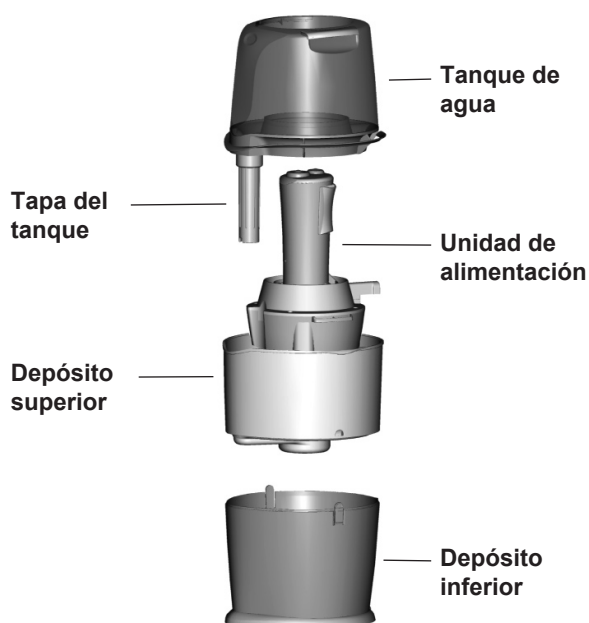


Figura 2

4. Coloque el depósito inferior en la superficie plana y firme que seleccionó.

**NOTA:** Una vez que haya llenado la unidad con agua y esté en funcionamiento, no debe usar las manijas del depósito superior o del tanque de agua para levantar y trasladar el vaporizador sin haber vaciado antes toda el agua del vaporizador. Antes de mover el vaporizador, revise la ventana en el depósito inferior para verificar si hay agua. Si hay agua en el depósito inferior, saque el tanque de agua y el depósito superior y drene toda el agua.

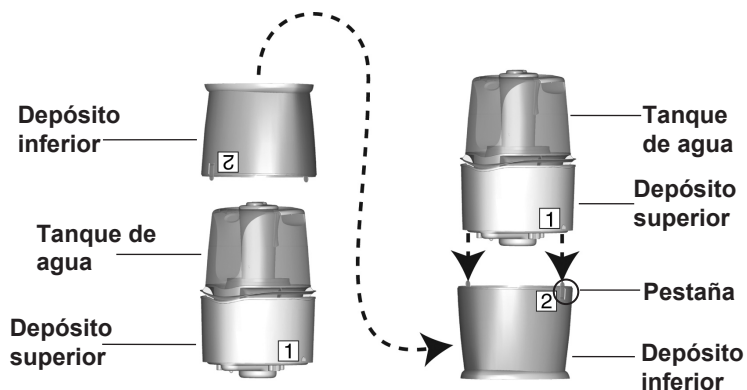


Figura 3

5. Levante el depósito superior (marcado con el número 1) y el tanque de agua y colóquelos encima del depósito inferior (marcado con el número 2) de tal forma que las dos pestañas del depósito inferior queden acopladas al depósito superior. Vea la figura 3.
6. Lleve el tanque de agua a un lavamanos o a una tina para llenarlo con agua.
7. Desenrosque la tapa del tanque girándola hacia la izquierda y llene el tanque de agua con agua fresca. **NUNCA USE AGUA CALIENTE.** Vea la figura 4.

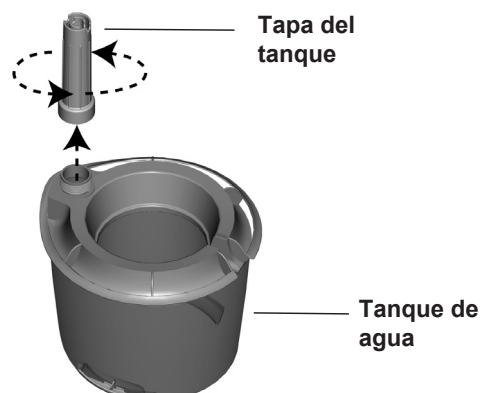


Figura 4

8. Coloque de nuevo la tapa del tanque girándola hacia la derecha. Ajuste firmemente la tapa del tanque y asegúrese de que está sellada correctamente. Vea la figura 5.

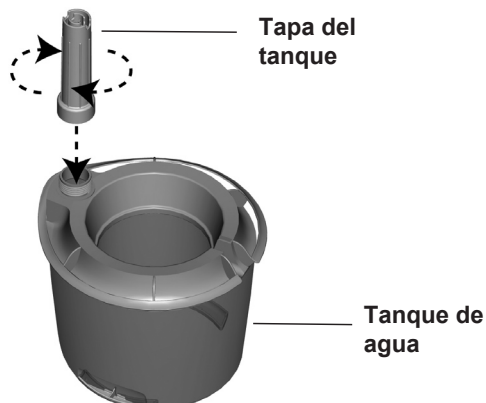


Figura 5

9. Traslade el tanque de agua sosteniéndolo de las dos manijas que están en la parte superior del tanque, coloque el tanque de agua de tal manera que la ranura en la parte de atrás quede justo sobre el cable eléctrico y que la tapa del tanque en la parte del frente entre en el área del interruptor automático de la unidad de alimentación. Vea la figura 6.

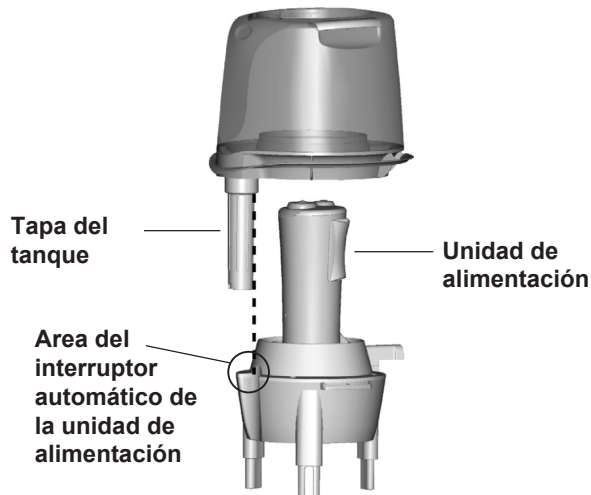


Figura 6

- NOTA:** No use los ductos de escape para levantar el tanque de agua. Vea la figura 7.



Figura 7

10. Si el tanque de agua está colocado correctamente, verá burbujas de aire en el tanque. Si no ve burbujas de aire, reposicione el tanque como se indicó anteriormente. Asegúrese de que la perilla de energía esté en la posición APAGADO y enchufe el vaporizador en la toma de corriente de la pared.

**PRECAUCION:** Nunca enchufe el vaporizador si tiene las manos mojadas porque puede recibir una descarga eléctrica.

11. Inserte el cable eléctrico en los dos broches en la parte de atrás del vaporizador.  
12. Gire la perilla de energía a la posición deseada.

**NOTA:** Si el tanque de agua no está colocado correctamente en la unidad de alimentación, la unidad no funcionará.

## Operar su vaporizador

1. **Medidor de humedad ajustable** – Permite ajustar el nivel de humedad. Vea la figura 8.

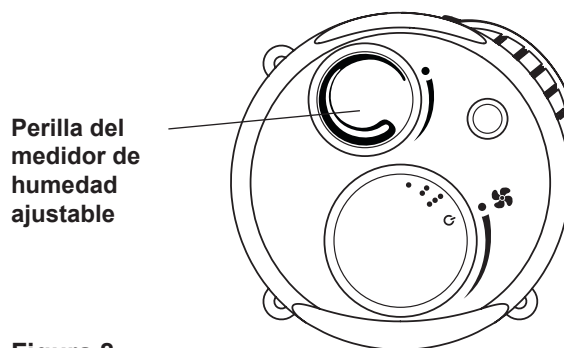


Figura 8

- Gire el selector hacia la derecha para aumentar el nivel de humedad.
- Gire el selector hacia la izquierda para disminuir el nivel de humedad.

2. **Perilla de energía** – permite ajustar el nivel de velocidad deseado. Vea la figura 9.

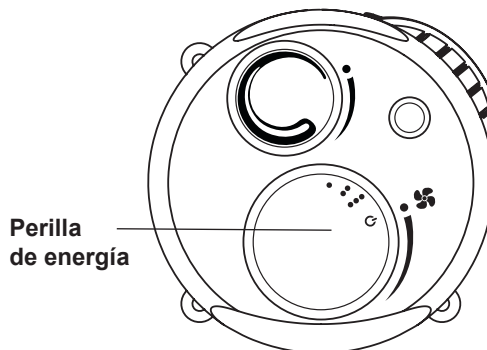


Figura 9

Gire el selector para ajustar el nivel de velocidad en Alto, Medio, Bajo y Apagado. Vea la figura 10.

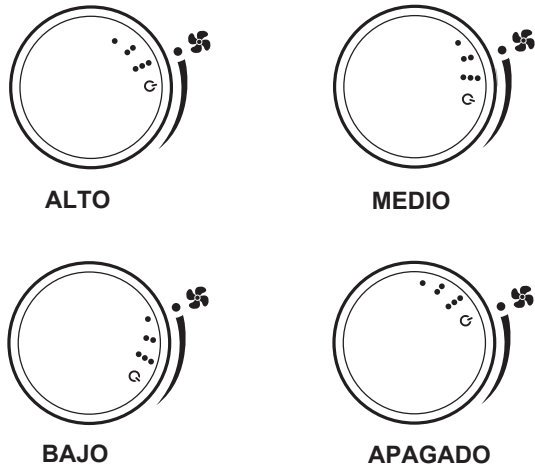


Figure 10

3. Control de luz nocturna NiteGlo™ (solo en modelo 34203): Enciende (ON) y apaga (OFF) la luz nocturna. La luz nocturna se puede encender aún si el ventilador del humidificador está apagado. Vea la figura 11.

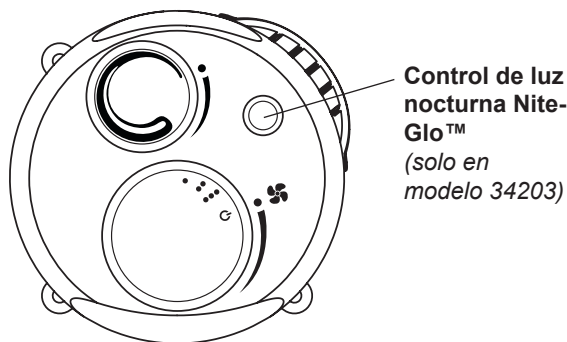


Figure 11

## Llenar el tanque de agua

1. Cuando el nivel del agua es bajo, gire la perilla de energía a la posición APAGADO y desenchufe el vaporizador.

2. Levante el tanque de agua y llévelo al lavamanos o a una tina para llenarlo de nuevo.

**NOTA:** No use los ductos de escape para levantar el tanque de agua.

3. Voltee el tanque de agua y desenrosque la tapa del tanque girándola hacia la izquierda. Vea la figura 12.

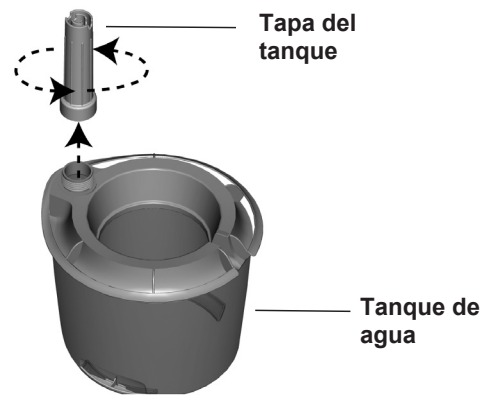


Figure 12

4. Vacíe el tanque de agua y llénelo de nuevo con agua fresca. **NUNCA USE AGUA CALIENTE.**

5. Coloque de nuevo la tapa del tanque girándola hacia la derecha. Vea la figura 13.

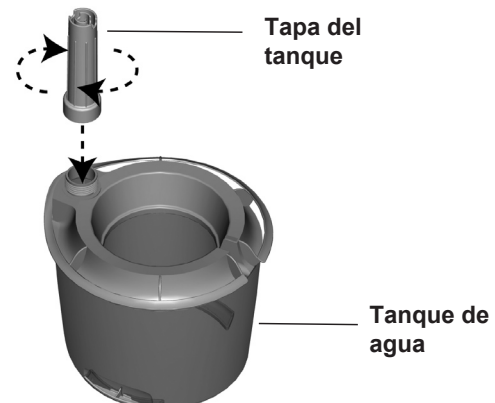


Figure 13

6. Traslade el tanque de agua sosteniéndolo de las dos manijas que están en la parte superior del tanque, coloque el tanque de agua de tal manera que la ranura en la parte de atrás quede justo sobre el cable eléctrico y que la tapa del tanque en la parte del frente entre en el área del interruptor automático de la unidad de alimentación. Si el tanque de agua está colocado correctamente, verá burbujas de aire en el tanque. Si no ve burbujas de aire, reposicione el tanque como se indicó anteriormente.

**PRECAUCION:** Nunca enchufe el vaporizador si tiene las manos mojadas porque puede recibir una descarga eléctrica.

7. Asegúrese de que la perilla de energía esté en la posición APAGADO y enchufe el vaporizador en la toma de corriente de la pared.

8. Gire la perilla de energía a la posición deseada.

## Limpiar el vaporizador y el tanque de agua

En muchas regiones el agua contiene una alta concentración de minerales. Cuando el agua se evapora en el Vaporizador Care Free® Ultra, pueden quedar residuos minerales. Estos minerales pueden formar una capa blanca y dura que se puede quitar siguiendo las instrucciones de limpieza. La frecuencia de la limpieza debido a la acumulación de minerales varía dependiendo de la calidad de agua que use.

1. Gire la perilla de energía a la posición APAGADO y desenchufe el vaporizador.
2. Saque el tanque de agua y llévelo al lavamanos o a una tina. Desenrosque la tapa del tanque girándola hacia la izquierda y vacíe completamente el tanque de agua.
3. Levante la unidad de alimentación y localice las tres pestañas en la parte inferior del conjunto de la bomba de embudo. Haga presión en las tres pestañas y saque la bomba de embudo tirando de ella hacia afuera de la parte inferior de la paleta del ventilador.
4. Quite la tapa de la bomba del embudo sosteniendo la tapa de la bomba firmemente con una mano mientras gira la bomba de embudo hacia la derecha. Esto destrabará los dos componentes. Vea las figuras 14a y 14b.

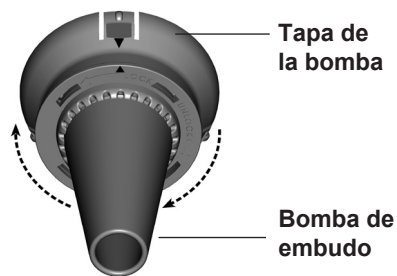


Figura 14a

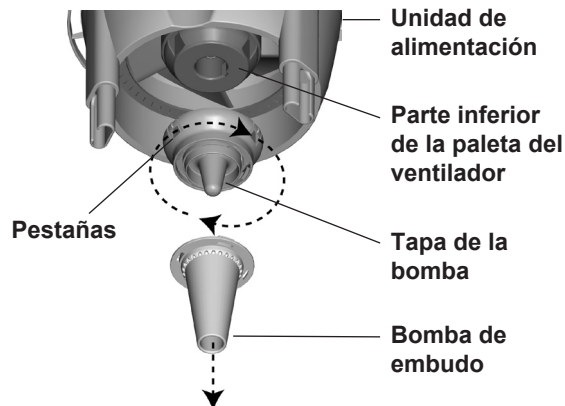


Figura 14b

5. Saque el atomizador y el depósito superior. Vea la figura 15.

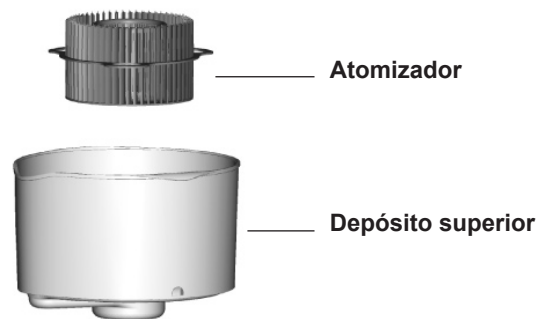


Figura 15

6. Sumerja el depósito superior, la bomba de embudo, la capa de la bomba y el atomizador en una solución de un (1) galón de agua y ocho (8) onzas de vinagre por 30 minutos.

**NOTA:** Si el atomizador está cubierto con una capa blanca y dura, puede usar la máquina lavadora para aflojar la capa blanca antes de sumergirlo en la solución.

**El atomizador es el único componente que se puede lavar en la máquina lavadora y sólo se puede colocar en la rejilla superior.**

7. Para limpiar el tanque de agua, llene el tanque con un (1) galón de agua y ocho (8) onzas de vinagre. Coloque de nuevo la tapa del tanque firmemente y agite el tanque de agua vigorosamente hasta que todas las superficies interiores se impregnen de la solución.
8. Enjuague el tanque de agua varias veces con agua fresca y limpia.
9. Después de sumergirlos, enjuague los componentes con agua limpia varias veces. Use un paño suave o una esponja para quitar cualquier acumulación restante. Deje que los componentes se sequen completamente si va a guardar el vaporizador.
10. Para limpiar la superficie de la unidad de alimentación, use un paño suave y seco.

## Armar las piezas del vaporizador

1. Coloque el depósito inferior en la superficie plana y firme que seleccionó.
2. Una el depósito superior con el depósito inferior alineando las dos pestañas laterales. Vea la figura 16.

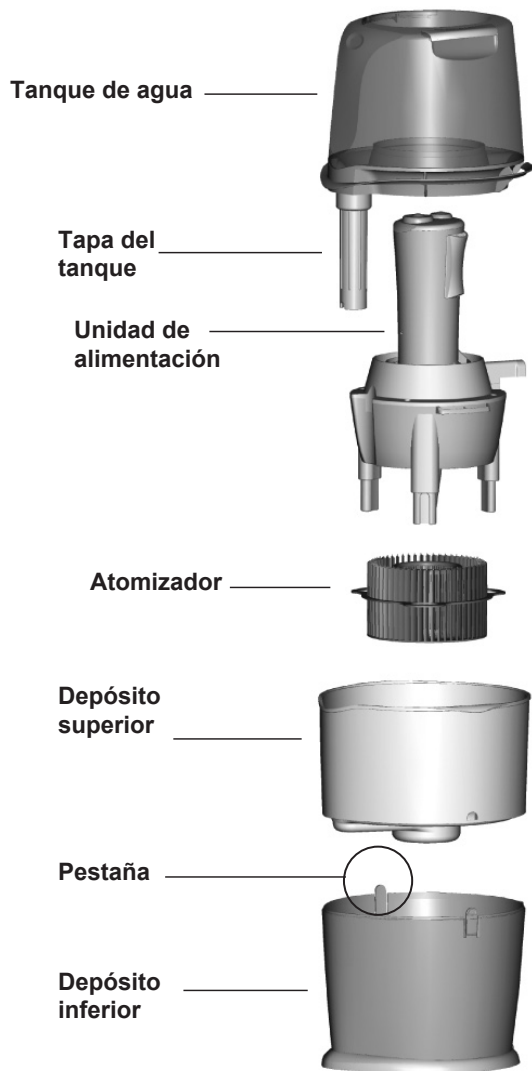


Figura 16

3. Coloque el atomizador en el depósito superior, alinee los tres orificios ovalados del atomizador con los tres dientes del depósito superior. El lado del atomizador que tiene los tres guías cortas debe estar mirando hacia arriba. Vea la figura 17.

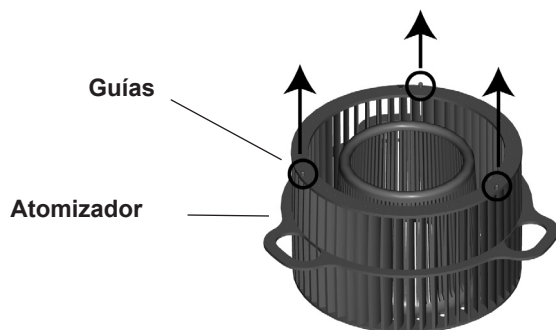


Figura 17

4. Ensamble la tapa de la bomba y la bomba de embudo alineando las flechas en ambos componentes e insertando la bomba en la tapa. Tuerza la bomba de embudo a la izquierda hasta que los dos componentes se encajan a presión juntos. Vea las figuras 18a y 18b.

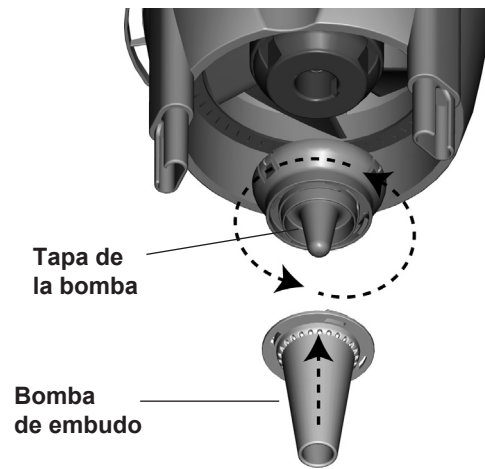


Figura 18a

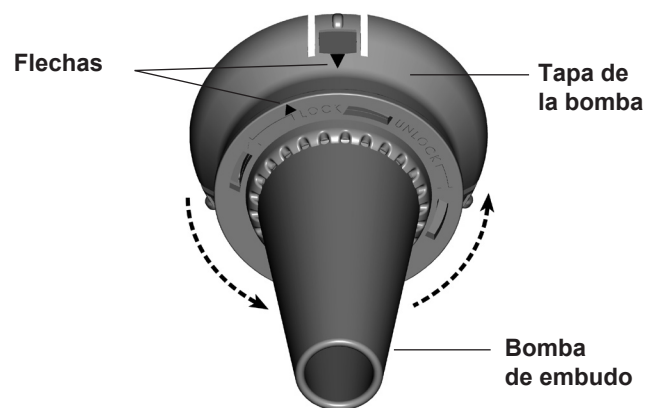


Figura 18b

5. Una la bomba de embudo a la unidad de alimentación acoplando las tres pestañas a la parte inferior de las paletas del ventilador. Vea la figura 19.

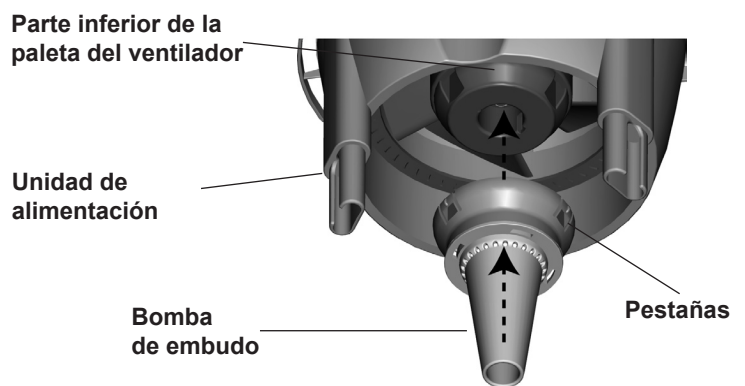
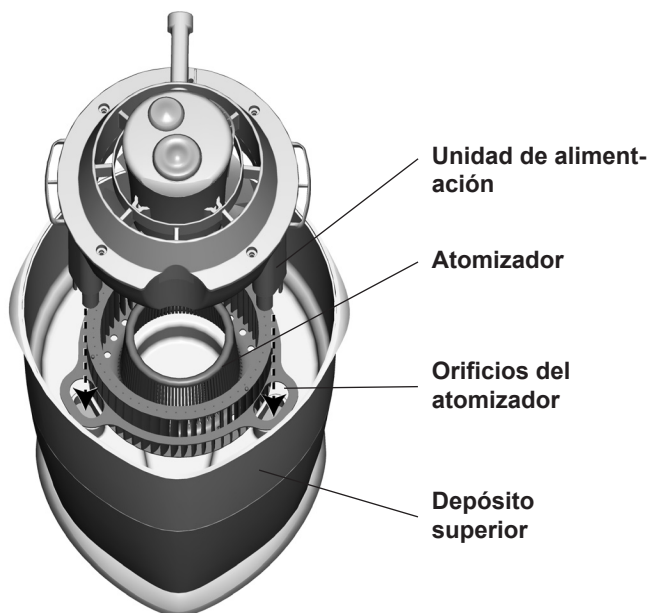


Figura 19

6. Coloque la unidad de alimentación en el depósito superior de tal manera que los tres dientes de la unidad de alimentación pasen a través de los tres orificios del atomizador y de los tres dientes de la base del depósito superior. Asegúrese de que la unidad de alimentación esté colocada correctamente y que los tres dientes estén en la posición correcta. Vea la figura 20.





**NOTA:** Los dientes sólo entrarán de un solo modo en el depósito superior.

7. Consulte las instrucciones en la sección **LLENAR EL TANQUE DE AGUA** para completar el armado del vaporizador.

## Trasladar el vaporizador

Si desea trasladar su vaporizador a otro lugar, siga las instrucciones indicadas a continuación. **NO** intente trasladar el vaporizador cuando tiene agua en el depósito superior, en el depósito inferior o en el tanque de agua.

1. Gire la perilla de energía a la posición APAGADO y desenchufe el vaporizador.
2. Saque el tanque de agua del depósito superior y drene completamente el agua.
3. Saque el depósito superior del depósito inferior y drene completamente el agua.
4. Si hay agua en el depósito inferior, drene completamente el agua.
5. Coloque el depósito inferior en la superficie plana y firme que seleccionó.
6. Continúe el armado como se indicó en la sección **ARMAR LAS PIEZAS DEL VAPORIZADOR**.

## Localización y solución de problemas

### Problema:

Ruido excesivo.

### Solución:

1. Revise el tanque de agua para asegurarse de que está colocado correctamente en la unidad de alimentación.

2. Revise el tanque de agua para asegurarse de que no hay burbujas cuando el tanque de agua está lleno y en funcionamiento. Si hay burbujas, apague la unidad hasta que no se produzcan más burbujas. Cuando ya no se produzcan más burbujas, ajuste la unidad en el nivel de velocidad deseado.
3. Quite y limpie la tapa de la bomba y la bomba de embudo. Consulte la sección **LIMPIAR EL VAPORIZADOR Y EL TANQUE DE AGUA**.

### Problema:

El vaporizador no funciona.

### Solución:

1. Asegúrese de que la perilla de energía no está en la posición APAGADO.
2. Ajuste el nivel de humedad con la perilla de energía y el medidor de humedad ajustable. Una vez que la habitación haya alcanzado el nivel de humedad deseado, el vaporizador se apagará; esto es normal.
3. Asegúrese de que la unidad de alimentación y el tanque de agua están completamente asentados en las tres pestañas del depósito superior.
4. Asegúrese de que el atomizador está mirando en la dirección correcta.

### Problema:

El vaporizador no enciende.

### Solución:

1. Revise que las tres guías de la superficie del atomizador estén alineadas correctamente. El lado del atomizador que tiene las tres guías debe estar hacia arriba.
2. Asegúrese de que el tanque de agua está asentado correctamente en la unidad de alimentación.

### Problema:

Acumulación de minerales en el tanque de agua y en el depósito superior.

### Solución:

1. Consulte la sección **LIMPIAR EL VAPORIZADOR Y EL TANQUE DE AGUA**.

### Problema:

Disminución de la producción de vapor y del uso de agua.

### Solución:

1. Asegúrese de que el atomizador está colocado correctamente, con el lado que tiene las tres guías hacia arriba.
2. Revise el medidor de humedad ajustable y la perilla de energía para asegurarse de que están en el nivel de humedad deseado.

3. Revise el tanque de agua para asegurarse de que no se producen burbujas cuando el tanque de agua está lleno y en funcionamiento. Si se producen burbujas, apague la unidad hasta que no se produzcan más burbujas. Cuando ya no se produzcan más burbujas, ajuste la unidad en el nivel de velocidad deseado.
4. Limpie los componentes que tengan acumulación de minerales. Consulte la sección **LIMPIAR EL VAPORIZADOR Y EL TANQUE DE AGUA.**

**Problema:**

Drenaje excesivo de agua al depósito inferior.

**Solución:**

1. Asegúrese de que la tapa del tanque de agua está ajustada firmemente y que sella correctamente.

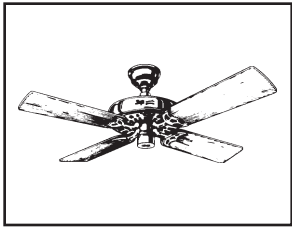
**Si tiene alguna pregunta o problema, llame al 1-888-830-1326 para obtener ayuda antes de devolver la unidad al distribuidor.**

## Piezas de servicio

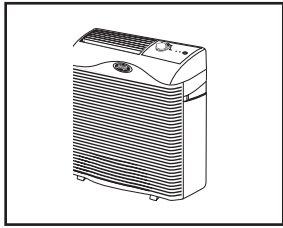
Para obtener una pieza de servicio para su vaporizador, llame al Servicio al cliente de Hunter al 1-888-830-1326 o envíenos un correo electrónico a [Techsupport@hunterfan.com](mailto:Techsupport@hunterfan.com). Esté preparado para proporcionarle al operador el número de modelo de su vaporizador, el nombre de la pieza que necesita reemplazar y el número de la pieza.

No. de modelo	34200	34203
Atomizador	96146-01-325	96146-01-325
Bomba de embudo	96150-01-325	96150-01-507
Tapa de la bomba	96149-01-325	96149-01-507
Perilla del medidor de humedad ajustable	86596-01-325	86596-01-520
Perilla de energía	86592-01-325	86592-01-520
Tapa del tanque	96334-01-325	96147-01-325
Tanque de agua	96333-01-510	96334-02-510

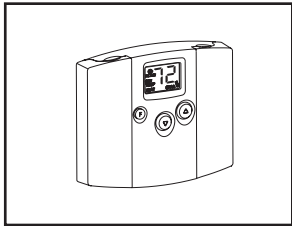
## Otros productos de Hunter para su comodidad en la casa



Hunter Original®



Purificador de aire  
QuietFlo™ True  
HEPA



Termostato  
programable

Para obtener más información acerca de los productos de Hunter Fan Company, visite nuestro sitio Web:

**[www.hunterfan.com](http://www.hunterfan.com)**

HUNTER FAN COMPANY  
2500 FRISCO AVENUE  
MEMPHIS, TN 38114, USA



Impreso en China

## Free Manuals Download Website

<http://myh66.com>

<http://usermanuals.us>

<http://www.somanuals.com>

<http://www.4manuals.cc>

<http://www.manual-lib.com>

<http://www.404manual.com>

<http://www.luxmanual.com>

<http://aubethermostatmanual.com>

Golf course search by state

<http://golfingnear.com>

Email search by domain

<http://emailbydomain.com>

Auto manuals search

<http://auto.somanuals.com>

TV manuals search

<http://tv.somanuals.com>