



# The Care Free<sup>®</sup> Permawick<sup>™</sup> Evaporative Humidifier



ENGLISH  
See page 2

ESPAÑOL  
Vea la página 19

Model 34407

Read and save these instructions.

[www.hunterfan.com](http://www.hunterfan.com)

# Table of Contents

---

SAFETY INSTRUCTIONS .....	3
How The Hunter Evaporative Humidifier Works .....	3
Humidifier Parts .....	4
Using Your Humidifier .....	6
Features and Options.....	7
Refilling the Water Tank.....	8
Humidifier Maintenance.....	9
Service Parts.....	15
Warranty .....	16

# READ AND SAVE THESE INSTRUCTIONS

## Important Safety Instructions: Read all instructions before using this humidifier.

1. This humidifier may not work properly on an uneven surface. ALWAYS place this humidifier on a firm, level, and water resistant surface. ALWAYS place the humidifier at least six (6) inches away from walls and heat sources such as stoves, radiators, or heaters.
2. ALWAYS place the humidifier in an area that is out of the reach of children.
3. Before using the humidifier, extend the cord and inspect for any signs of damage. DO NOT use the product if the cord has been damaged.
4. This product has a polarized plug (one blade is wider than the other) as a safety feature. This plug will fit into a polarized outlet only one way. If the plug does not fit fully into the outlet, reverse the plug.

If it still does not fit, contact a qualified electrician. DO NOT attempt to defeat or override this safety feature.

5. ALWAYS UNPLUG AND EMPTY the humidifier when it is not in operation or while it is being cleaned.
6. DO NOT tilt or move the humidifier while it is in operation. Never move the humidifier while there is water in the tank. Empty the water tank, turn off, and unplug the unit before moving.
7. In addition to routine maintenance which may be required, this humidifier requires seasonal cleaning. Refer to and follow CLEANING THE HUMIDIFIER AND THE WATER TANK instructions.

Thank you for purchasing The Care Free® Humidifier Evaporative Humidifier by Hunter Fan Company. Please read and save these instructions to receive the maximum benefit and performance from your humidifier.

## How The Hunter® Evaporative Humidifier Works

The Hunter® Evaporative Humidifier has a unique patented design with several innovative features:

- Low Maintenance – Other humidifiers have paper filters that need to be replaced every few months. Our exclusive PermaWick™ filter saves time and money. It's designed to last season after season, saving up to \$45 a year. No wet paper odors, either.
- Regulated Release™ System – By dispersing water from the top of the PermaWick™ filter, stagnant water around the PermaWick™ filter is eliminated, and the buildup of mineral residue that can clog the filter and impede performance is eliminated. NOTE: The filter has a coating on the wick which may make it appear old or used, but is actually new.
- Built-in Antimicrobial Properties – The plastic parts and the filter have built-in antimicrobial properties to inhibit the growth of bacteria, mold and fungi that may affect these parts.

NOTE: This product contains antimicrobial properties which are built-in to inhibit the growth of bacteria which may affect the plastic and filter in the humidifier. These properties do not extend to the water, humidified air or users. Conduct routine cleaning and maintenance based upon use and individual conditions.

- No White Dust – The Hunter® Evaporative Humidifier produces no white dust that can settle on furniture or be inhaled.

NOTE: You may notice mineral deposits accumulating in the tank base. This is normal and does not affect performance. If you would like to clean these deposits away, please see **CLEANING THE HUMIDIFIER AND WATER TANK**.

# Humidifier Parts

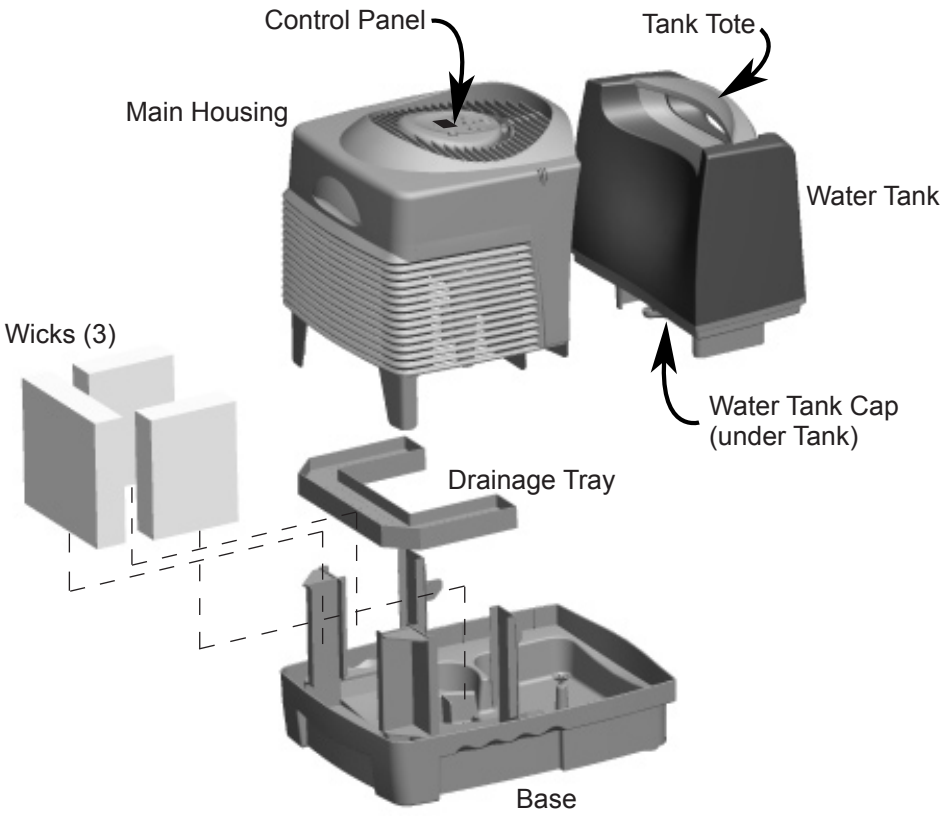


Figure 1

# Humidifier Parts (continued)

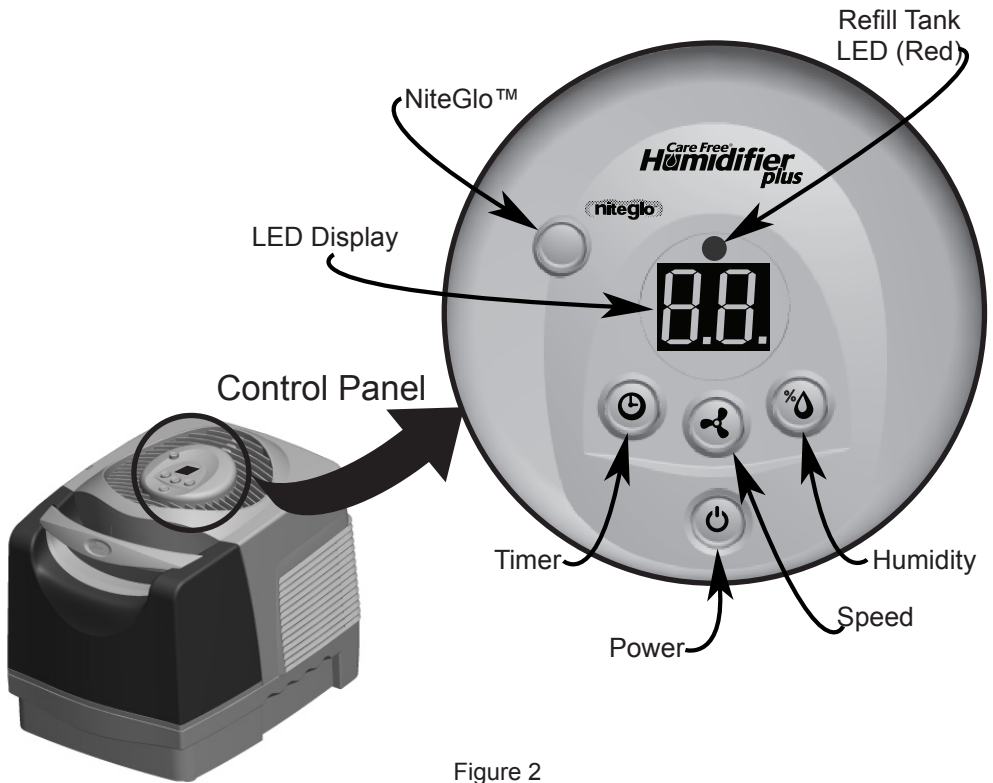


Figure 2

**Power:** Turns the humidifier on and off. the power should always be off before unplugging the humidifier, moving the humidifier, or refilling the water tank.

**Refill Light:** The red LED turns on to signal that the humidifier has automatically turned off and the Water Tank needs to be refilled.

**Humidity:** Enables you to set the desired maximum humidity level. Once this level is reached, the unit will automatically shut off until the humidity level drops. **NOTE:** The humidifier may not be running because the Span Setting may need to be adjusted.

**Speed:** Sets the humidifier's fan speed to Low (1), Medium (2), or High (3).

**Timer:** Sets the humidifier to run for 2, 4, 8, or 10 hours. when the timer is not used, the humidifier will run and cycle automatically.

# Using Your Humidifier (continued)

## Basic Set-Up and Operation

1. Remove the Hunter® Evaporative Humidifier from its packaging.
2. Place the humidifier on a hard, flat, water resistant surface. Always place the humidifier at least six (6) inches away from walls and sources of heat.
3. Grasp the Water Tank by its Tank Tote and remove it from the Base. See Figure 3.

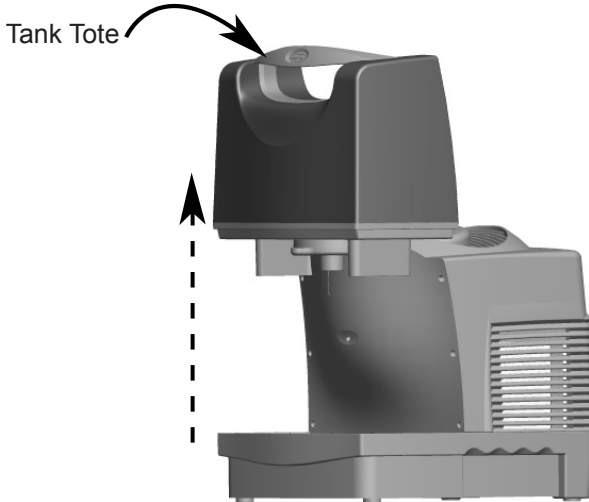


Figure 3

4. Turn the Water Tank upside-down and remove the Water Tank Cap. See Figure 4.

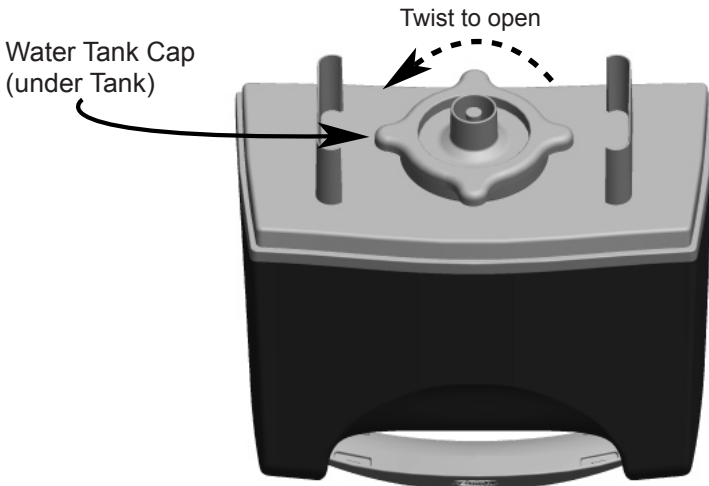


Figure 4

# Using Your Humidifier (continued)

---

5. Fill the Water Tank with water, return the Water Tank Cap to its position and tighten it, and return the Water Tank to the Base.
6. Plug the humidifier's Power Cord into a standard household power outlet.
7. Press the Power Button on the Control Panel.
8. To see the current humidity, press the Humidity button. To change the humidity, press and hold the Humidity button for 3 seconds. The LED Display will flash the current humidity setting. Press the Humidity button until the LED Display shows your desired humidity setting. You can change the setting in 5% increments from 30% relative humidity to 80%. When the LED Display shows your desired humidity setting, release the Humidity button. After 2 seconds, the humidity setting is set and the LED Display will show the relative humidity.
9. To see the current Fan speed setting, press the Speed button. To change the Fan speed setting, press and hold the Speed button for 3 seconds. The LED Display will flash the current Fan speed setting. Press the Speed button until the LED Display shows your desired Fan speed setting, Off ("OF"), Low (1), Medium (2), or High (3). Release the Speed button. After 2 seconds, the Fan speed is set and the LED Display will show the relative humidity.
10. During normal operation, the LED Display will show the relative humidity of the space in which you place your humidifier.

## Features and Options

---

### Automatic Shut-Off

When the Water Tank is empty, the humidifier will automatically turn off and the red Refill Tank LED will turn on. The Refill Tank LED will turn off when the Tank is refilled and placed back on the humidifier.

### Timer

You can set your humidifier to run for pre-set periods of time.

1. To see the current Timer setting, press the Timer button once.
2. To change the Timer setting, press the Timer button and hold it for 3 seconds. The current Timer setting will begin to flash.
3. Press the Timer button again to change the setting. The settings in hours are OF (Off), 2, 4, 8 and 10.
3. When the LED Display shows your desired run time, release the Timer Button. After 2 seconds, the run time is set and the LED Display will show the relative humidity.
4. The humidifier will shut down automatically when the set time expires.

# Humidifier Features and Options (continued)

---

## Span Setting

Your humidifier is set at the factory to cycle at setting 2. If you find your humidifier is cycling either too often or not often enough, change the Span setting to change the cycle time.

1. To see the current Span setting, press both the Humidity and Speed buttons.
2. To change the Span setting, Press and hold both the Humidity and Speed buttons for 3 seconds. The LED Display will flash the current Span Setting.
3. Press the Speed button to change the Span setting. Set the Span to 3 to increase the humidifier's run time. Set the Span to 1 to decrease the humidifier's run time.
4. When the LED Display shows your desired Span setting, release the Speed button. After two seconds, the Span is set and the LED Display will show the relative humidity.

## The NiteGlo™ Night Light

Press the NiteGlo™ button on the Control Panel to turn the night light on and off. The NiteGlo™ night light can be turned on even when the humidifier is turned off.

## Refilling The Water Tank

---

1. When the water tank level is low, turn the humidifier 'OFF', and unplug.
2. Remove the tank and take it to the sink or tub to refill.
3. Turn the tank upside down and unscrew the tank cap by turning it counterclockwise. Empty the tank, refill with fresh cool water (never use hot water), and replace the tank cap. Be sure not to overfill the tank as water damage may occur to furniture or flooring due to spillage. HUNTER WILL NOT ACCEPT RESPONSIBILITY FOR DAMAGE TO PROPERTY CAUSED BY WATER SPILLAGE.
4. Carry the tank back to the humidifier. Turn the tank upright and place it on the humidifier. Be sure that the tank is seated properly in the base. If the tank is properly located on the base, you will see air bubbles flowing up into the tank.



# Humidifier Maintenance

Many regions have hard water with high concentrations of minerals. When water evaporates from The Hunter® Evaporative Humidifier, minerals may be left behind. These minerals can form a hard white scale which can be removed by following the cleaning instructions. The frequency of cleaning due to mineral build up can vary depending upon the quality of water you may have.

Refer to Figure 1 for part names.

1. Turn the humidifier 'OFF' and unplug the unit.
2. Lift the Main Housing as shown in Figure 5. The motor is attached to the main housing. Do not place the motor near water.

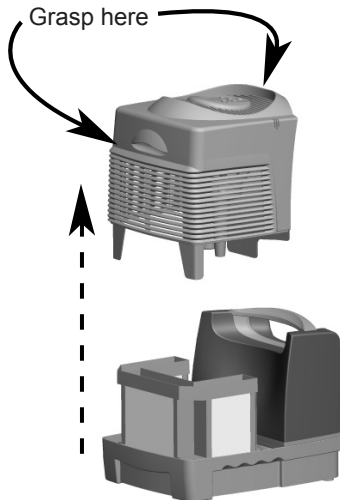


Figure 5

3. Remove the Drainage Plate and the three Wicks. See Figures 6A and 6B.

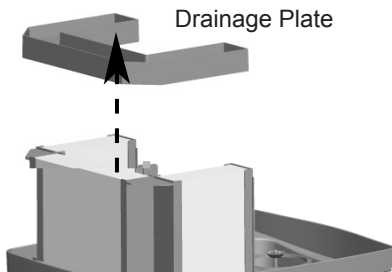


Figure 6A

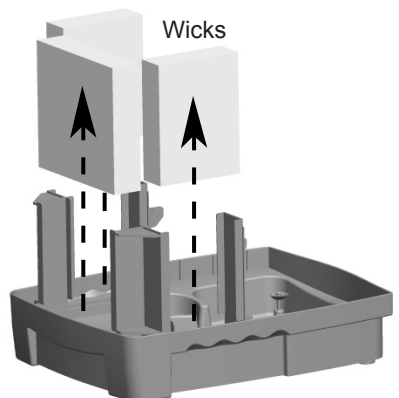


Figure 6B

# Humidifier Maintenance (continued)

4. Turn the Main Housing upside down to gain access to the humidifier's cleanable parts.
5. Press the Shower Head Latches in the direction shown in Figure 7, releasing the Shower Head. Then, gently lift the Shower Head from its position and let it rest in the Main Housing.

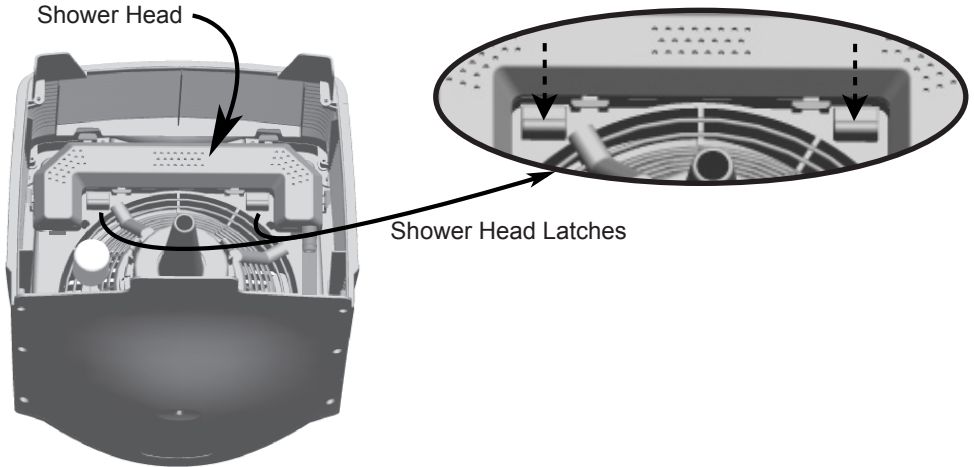


Figure 7

6. Press the three Pump Cover Latches in the direction shown in Figure 8, releasing the Pump Cover.

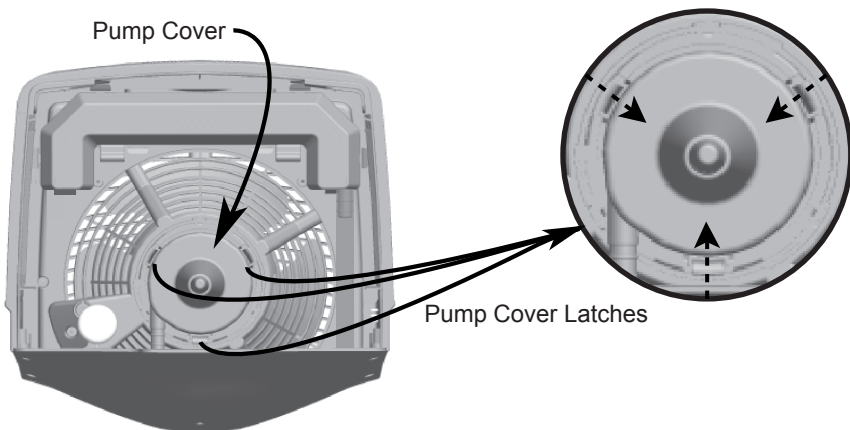


Figure 8

# Humidifier Maintenance (continued)

7. Remove the Shower Head, Pump Cover, and Tubing from the Main Housing. See Figure 9.

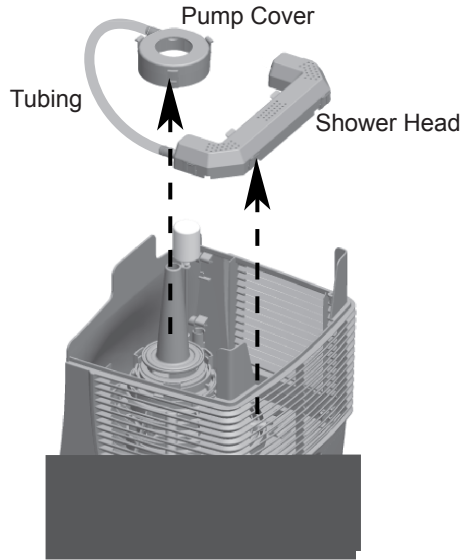


Figure 9

8. Press the six Shower Head Latches in the direction shown in Figure 10 to separate the two halves of the Shower Head.

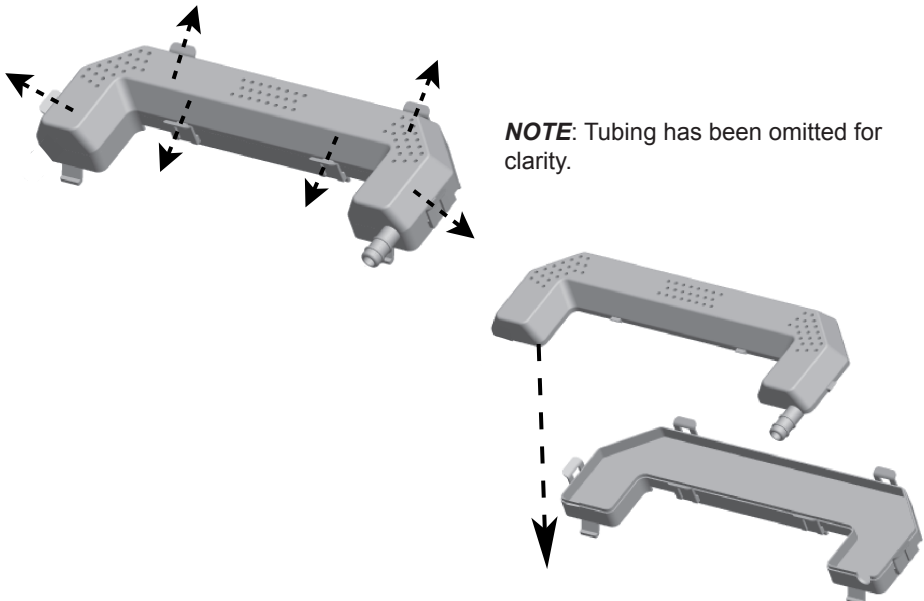


Figure 10

## Humidifier Maintenance (continued)

9. Hold the Motor Shaft Stopper Ring so that it can not rotate. Twist the pump counter-clockwise as shown in Figure 11 to loosen it. NOTE: Turning twisting the pump clockwise tightens it.

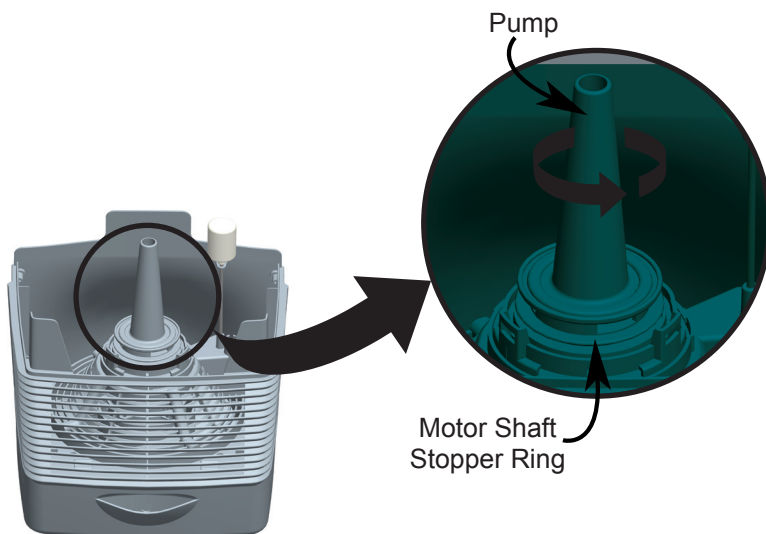


Figure 11

10. Remove the Pump and the Motor Shaft Stopper Ring. See Figure 12.

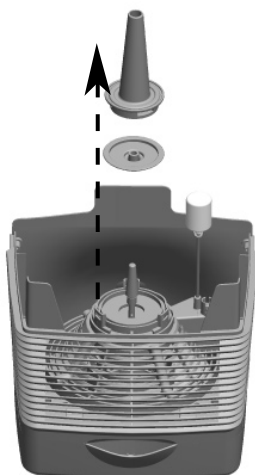


Figure 12

# Humidifier Maintenance (continued)

11. Do not expose Motor or other electrical components to water. Do not use a wet towel on the Motor or Motor Housing as electrical shock may occur.
12. Remove the Water Tank from the base and empty it of any remaining water. Fill the Water Tank with a mixture of one (1) gallon of water and eight (8) ounces of white vinegar. Leave the mixture in the Water Tank for 20 minutes, giving the Water Tank a shake every few minutes. After 20 minutes, give the Water Tank a final shake and discard the mixture. Rinse the Water Tank several times with clean water. Leave the Water Tank Cap off to allow the Water Tank to dry completely.
13. Fill the Base with a mixture of one (1) gallon of water and eight (8) ounces of white vinegar. Leave the mixture in the Base for 20 minutes, then discard the mixture. Rinse the Base well with clean water and let it air dry or wipe it dry with a cloth.
14. Rinse the Shower Head, Pump Cap, Tubing, Pump, and Motor Shaft Stopper Ring in clean water to remove any debris. If the parts show hard water residue, soak them in a mixture of one (1) gallon of water and eight (8) ounces of white vinegar for 20 minutes, then rinse the parts well with clean water.
15. Wipe the surfaces of the main housing with a soft damp cloth.
16. Once all the parts are clean, reassemble the humidifier. **NOTE:** The underside of Motor Shaft Stopper Ring has a groove that fits over two nibs on the Motor Shaft. See Figure 13. The groove and the nibs **MUST BE MATED** for the humidifier to be properly reassembled.

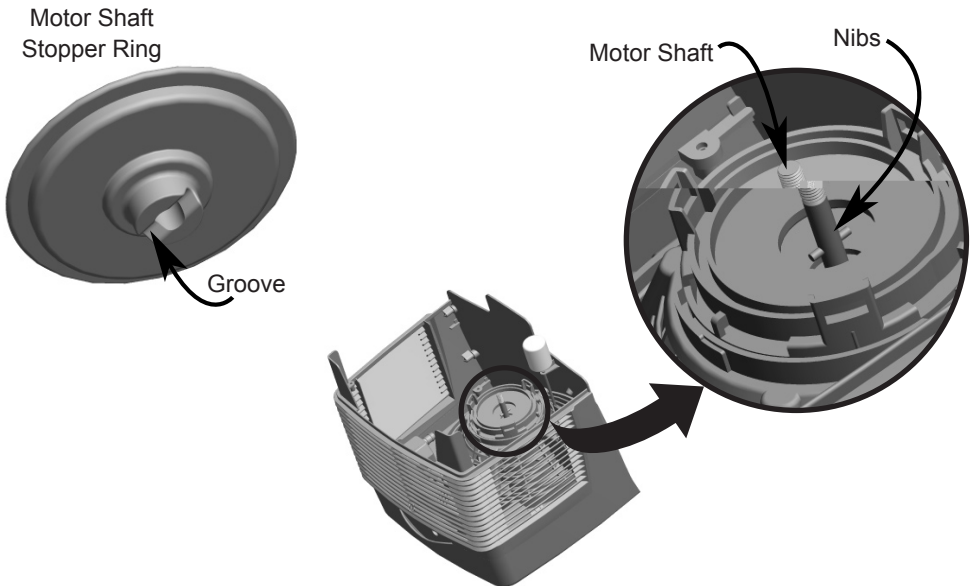


Figure 13

17. Follow the USING YOUR HUMIDIFIER section to continue use. If you are storing the humidifier, make sure the parts are completely dry.

# Service Parts

---

To obtain a service part for your humidifier, call customer service at 1-888-830-1326 or e-mail us at [techsupport@hunterfan.com](mailto:techsupport@hunterfan.com). Please be prepared to tell the operator the model number of your humidifier and the name of the part you need to replace and the part number. Refer to Figure 1 for part names.

Model No.	Base	Tank Assembly	Replacement Wick Set
34407	97668	97670	87955

# Hunter Fan Company

## Hunter® Humidifier Evaporative Humidifier

### 5 YEAR LIMITED WARRANTY

---

The Hunter Fan Company, Inc. makes the following warranty to the original residential user or consumer purchaser of The Evaporative Humidifier:

If any part of The Evaporative Humidifier ("Humidifier") motor fails during the first 5 (five) years from the date of installation due to a defect in material or workmanship, we will provide a replacement part free of charge. If no replacement part can be provided for such motor, we will replace your humidifier.

If your Humidifier motor fails any time within 1 (one) year after the date of installation due to a defect in material or workmanship, labor to repair the defect will be provided free of charge at our nearest service centre or at our Service Department in Memphis, Tennessee. You will be responsible for all parts and labor costs after this one-year period.

If your Humidifier water tank, filter frame, base, knobs, or tank cap fail any time within 1 (one) year after the date of sale to you due to a defect in material or workmanship, we will repair or, at our option, replace the water tank, filter frame, base, knobs, or tank cap free of charge for parts or labor performed at our nearest service centre or our Service Department in Memphis, Tennessee.

IF THE ORIGINAL RESIDENTIAL USER OR CONSUMER PURCHASER CEASES TO OWN THE HUMIDIFIER, THIS WARRANTY AND ANY IMPLIED WARRANTY WHICH THEN REMAINS IN EFFECT, INCLUDING BUT NOT LIMITED TO ANY IMPLIED WARRANTY OF MERCHANTABILITY OR FITNESS FOR A PARTICULAR PURPOSE, ARE VOIDED.

NO WARRANTY, EXPRESSED OR IMPLIED, INCLUDING ANY WARRANTY OF MERCHANTABILITY OR FITNESS FOR A PARTICULAR PURPOSE, IS MADE IN RESPECT TO THE FILTER.

THIS WARRANTY IS IN LIEU OF ALL OTHER EXPRESS WARRANTIES. THE DURATION OF ANY IMPLIED WARRANTY, INCLUDING BUT NOT LIMITED TO ANY IMPLIED WARRANTY OF MERCHANTABILITY OR FITNESS FOR A PARTICULAR PURPOSE, IN RESPECT TO THE MOTOR IS EXPRESSLY LIMITED TO THE PERIOD OF THE EXPRESS WARRANTY SET FORTH ABOVE.

This warranty is voided if your Humidifier is not purchased and used in the USA or Canada.

This warranty excludes and does not cover defects, malfunctions, or failures of the Humidifier which were caused by repairs by persons not authorized by us, use of parts,

Continued

or accessories not authorized by us, mishandling, modifications, or damage to the Humidifier while in your possession, or unreasonable use, including failure to provide reasonable and necessary maintenance. This warranty does not cover humidifiers used in commercial applications. There are no express or implied warranties as to commercial purchasers or users.

To obtain service, contact Hunter Fan Company Service Department, 2500 Frisco Avenue, Memphis, Tennessee 38114, 1-888-830-1326. You will be responsible for insurance and freight or other transportation to our factory service center. We will return the Humidifier freight prepaid to you. The Humidifier should be properly packaged to avoid damage in transit since we will not be responsible for any such damage. Proof of purchase is required when requesting warranty service. The purchaser must present the sales receipt or other document that establishes proof of purchase.

IN NO EVENT SHALL HUNTER FAN COMPANY BE LIABLE FOR DIRECT, INDIRECT, SPECIAL, CONSEQUENTIAL OR INCIDENTAL DAMAGES IN EXCESS OF THE PURCHASE PRICE OF THE HUMIDIFIER. YOUR SOLE REMEDY WILL BE REPAIR OR REPLACEMENT AS PROVIDED ABOVE.

SOME AMERICAN STATES AND CANADIAN PROVINCES DO NOT ALLOW

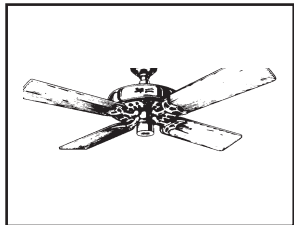
- LIMITATIONS ON HOW LONG AN IMPLIED WARRANTY LASTS;
- THE EXCLUSION OR LIMITATION OF DIRECT, INDIRECT, SPECIAL, INCIDENTAL OR CONSEQUENTIAL DAMAGES;
- THE EXCLUSION OR INVALIDITY OF EXPRESS OR IMPLIED WARRANTIES IF THE USER CEASES TO OWN THE HUMIDIFIER;
- THE LIMITATION OF THE REMEDIES AND RECOURSES AVAILABLE TO THE PURCHASER; OR
- THE INVALIDITY OF AN EXPRESS WARRANTY WHEN A PRODUCT IDENTIFIED BY BRAND NAME IS NOT USED (UNLESS SPECIFIC CONDITIONS ARE FULFILLED);

SO THE ABOVE LIMITATIONS OR EXCLUSIONS MAY NOT APPLY TO YOU.

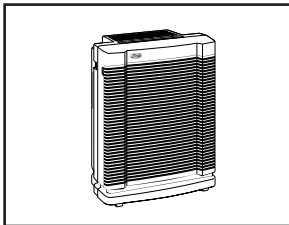
THIS WARRANTY GIVES YOU SPECIFIC LEGAL RIGHTS AND YOU MAY ALSO HAVE OTHER RIGHTS WHICH VARY FROM STATE TO STATE OR PROVINCE TO PROVINCE.



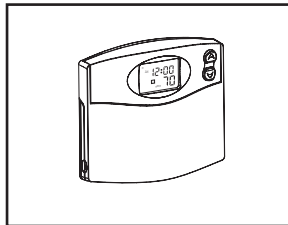
# Other Home Comfort Products from Hunter



Hunter Original®



Air Purifier



Programmable  
Thermostat

To learn more about Hunter Fan Company products, please see our web page at:  
[www.hunterfan.com](http://www.hunterfan.com)

HUNTER FAN COMPANY  
2500 FRISCO AVENUE  
MEMPHIS, TN 38114, USA







# Humidificador de evaporación Care Free<sup>®</sup> de Permawick<sup>™</sup>



Modelo 34407

Lea y guarde estas instrucciones

[www.hunterfan.com](http://www.hunterfan.com)

# Tabla de contenido

---

INSTRUCCIONES DE SEGURIDAD .....	3
Cómo trabaja el Humidificador de evaporación de Hunter.....	3
Partes del humidificador.....	4
Uso de su humidificador.....	6
Características y opciones .....	7
Rellenado del tanque de agua.....	8
Mantenimiento del humidificador .....	9
Partes de repuesto .....	15
Garantía .....	16

# LEA Y GUARDE ESTAS INSTRUCCIONES

## Instrucciones importantes de seguridad: Lea todas las instrucciones antes de usar este humidificador.

1. Este humidificador no puede funcionar correctamente en una superficie irregular. SIEMPRE coloque este humidificador sobre una superficie firme, nivelada y resistente al agua. SIEMPRE coloque el humidificador al menos a 15 cm. (6") de distancia de las paredes y de fuentes de calor como estufas, radiadores o calentadores.
2. SIEMPRE coloque el humidificador en un área fuera del alcance de los niños.
3. Antes de usar el humidificador, extienda el cordón e inspecciónelo buscando cualquier señal de daños. NO utilice el producto si el cordón está dañado.
4. Este producto tiene un enchufe polarizado (una espiga es más ancha que la otra) como característica de seguridad. El enchufe sólo se podrá introducir en una toma polarizada de una sola manera.
5. SIEMPRE DESCONECTE Y VACÍE el humidificador cuando no esté en funcionamiento o mientras lo esté limpiando.
6. NO lo incline ni lo mueva durante su operación. Nunca mueva el humidificador mientras haya agua en el tanque. Vacíe el tanque de agua, apague y desconecte la unidad antes de moverla.
7. Además del mantenimiento de rutina que puede requerirse, este humidificador requiere limpieza por temporada. Consulte y siga las instrucciones de LIMPIEZA DEL HUMIDIFICADOR Y DEL TANQUE DE AGUA.

Gracias por comprar el Humidificador de evaporación Care Free® de Hunter Fan Company. Lea y guarde estas instrucciones para obtener el máximo rendimiento y beneficio de su humidificador.

## Cómo trabaja el Humidificador de evaporación de Hunter®

El Humidificador de evaporación de Hunter® tiene un diseño único patentado con varias características innovadoras:

- Bajo mantenimiento – Otros humidificadores poseen filtros de papel que requieren ser reemplazados luego de unos cuantos meses. Nuestro filtro exclusivo PermaWick™ ahorra tiempo y dinero. Está diseñado para durar temporada tras temporada, ahorrando hasta \$45 al año. Tampoco hay olores a papel mojado.
- Sistema Release™ regulado – Al distribuir agua desde la parte superior del filtro PermaWick™ se elimina el agua estancada alrededor del filtro PermaWick™ y se elimina también la acumulación de residuos minerales que pueden obstruir el filtro e impedir su funcionamiento. NOTA: El filtro posee un recubrimiento en la mecha que puede hacer que parezca viejo o usado, pero en realidad es nuevo.
- Propiedades antimicrobianas incorporadas – Las partes plásticas y el filtro tienen propiedades antimicrobianas incorporadas para inhibir el crecimiento de bacterias, moho y hongos que puedan afectar dichos componentes.

NOTA: Este producto contiene propiedades antimicrobianas incorporadas para inhibir el crecimiento de las bacterias que puedan afectar el material plástico y el filtro en el humidificador. Estas propiedades no se extienden al agua, aire humidificado o a los usuarios. Realice la limpieza y el mantenimiento periódico según el uso y las condiciones individuales.

- Sin polvo blanco – El Humidificador de evaporación de Hunter® no produce polvo blanco que pueda asentarse en los muebles o que pueda ser inhalado.

NOTA: Puede notar que se acumulan depósitos minerales en la base del tanque. Esto es normal y no afecta el funcionamiento. Si desea limpiar estos depósitos, consulte LIMPIEZA DEL HUMIDIFICADOR Y DEL TANQUE DE AGUA.

## Partes del humidificador

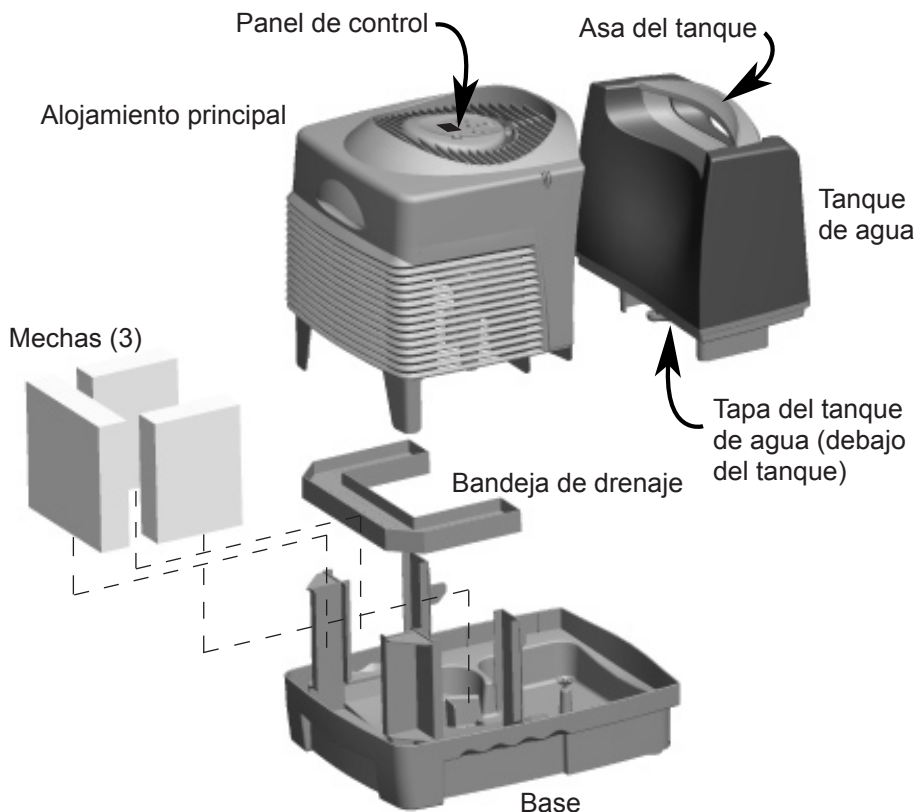


Figura 1

## Partes del humidificador (continuación)

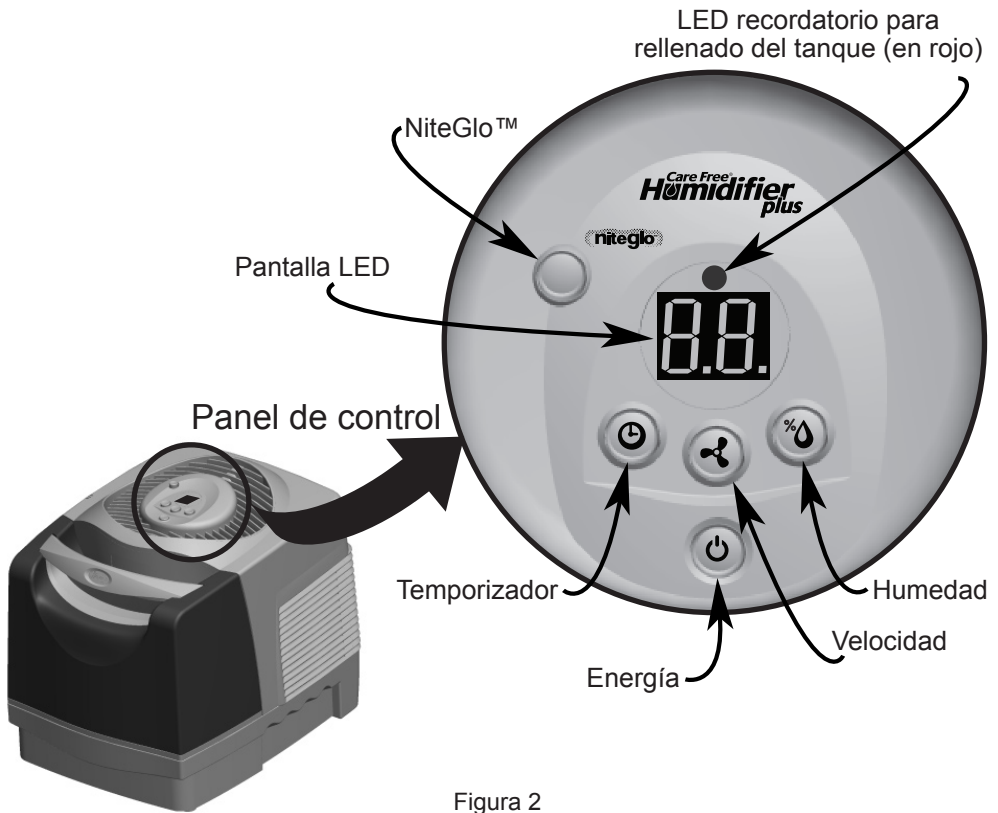


Figura 2

**Energía:** Enciende o apaga el humidificador. La energía siempre debe estar apagada antes de desconectar el humidificador, mover el humidificador o rellenar el tanque de agua.

**Luz de rellenado:** La luz roja de la pantalla LED se enciende para indicar que el humidificador se ha apagado automáticamente y que el tanque de agua necesita ser llenado nuevamente.

**Humedad:** Le permite fijar el nivel máximo de humedad deseado. Una vez que se llegue a este nivel, la unidad se cerrará automáticamente hasta que el nivel de humedad descienda.

**NOTA:** El humidificador puede no estar funcionando porque el ajuste Span puede necesitar un ajuste.

**Velocidad:** Regula la velocidad del ventilador del humidificador en Baja (1), Media (2), o Alta (3).

**Temporizador:** Regula el humidificador para que funcione por 2, 4, 8 ó 10 horas. Cuando no se utiliza el temporizador, el humidificador funcionará y alternará automáticamente.

# Uso de su Humidificador (continuación)

## Configuración y operación básica

1. Retire el Humidificador de evaporación de Hunter® del paquete.
2. Coloque el humidificador en una superficie dura, plana y resistente al agua. SIEMPRE coloque el humidificador al menos a 15 cm. (6") de distancia de las paredes y de fuentes de calor.
3. Tome el tanque de agua por el asa y retírelo de la base. Vea la Figura 3.

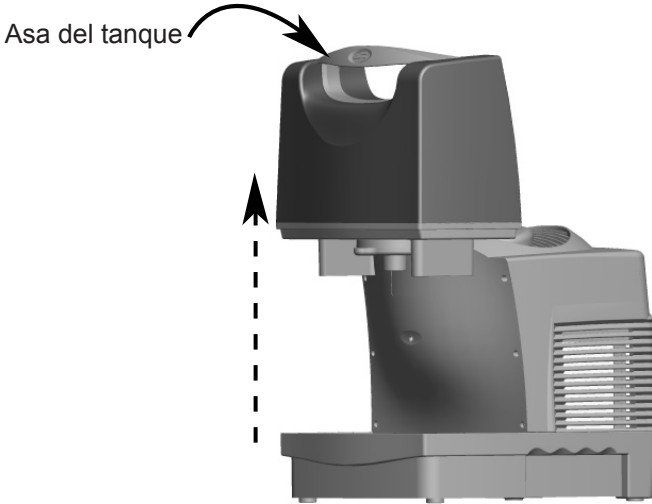


Figura 3

4. Invierta la posición del tanque y retire la tapa del tanque de agua. Vea la Figura 4.

Tapa del tanque de agua (debajo del tanque)

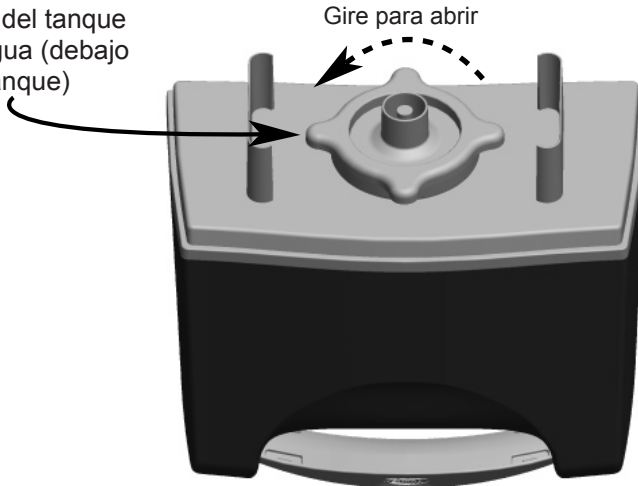


Figura 4



# Uso de su Humidificador (continuación)

---

5. Llene el tanque de agua, coloque nuevamente la tapa del tanque de agua en su posición y apriétela, y coloque nuevamente el tanque de agua en la base.
6. Conecte el cordón de alimentación del humidificador a una toma de corriente doméstica estándar.
7. Presione el botón de encendido del panel de control.
8. Para ver la humedad actual, presione el botón Humedad. Para cambiar la humedad, presione y mantenga presionado por 3 segundos el botón Humedad. La pantalla LED destellará el ajuste actual de humedad. Presione el botón Humedad hasta que la pantalla LED muestre el ajuste de humedad que usted desea. Puede cambiar el ajuste en incrementos de 5% de humedad relativa de 30% a 80%. Cuando la pantalla LED muestre el ajuste de humedad que usted desea, libere el botón Humedad. Luego de 2 segundos, el ajuste de humedad está fijado y la pantalla LED mostrará la humedad relativa.
9. Para ver el ajuste actual de velocidad del ventilador, presione el botón Velocidad. Para cambiar el ajuste de velocidad del ventilador, presione y mantenga presionado por 3 segundos el botón Velocidad. La pantalla LED destellará el ajuste actual de velocidad del ventilador. Presione el botón Velocidad hasta que la pantalla LED muestre el ajuste de velocidad del ventilador que usted desea, Apagado ("OF"), Baja (1), Media (2), o Alta (3). Libere el botón Velocidad. Luego de 2 segundos, la velocidad del ventilador está fijada y la pantalla LED mostrará la humedad relativa.
10. Durante la operación normal, la pantalla LED mostrará la humedad relativa del espacio en el que usted coloque su humidificador.

## Características y opciones

---

### Apagado automático

Cuando el Tanque de agua esté vacío, el humidificador automáticamente se apagará y se encenderá la luz roja de Rellenar tanque en la pantalla LED. La luz de Rellenar tanque se apagará cuando el Tanque sea llenado nuevamente y colocado de vuelta en el humidificador.

### Temporizador

Puede programar que su humidificador funcione por periodos de tiempo predeterminados.

1. Para ver el ajuste actual del temporizador, presione el botón Temporizador una vez.
2. Para cambiar el ajuste del temporizador, presione el botón temporizador y manténgalo presionado por 3 segundos. El ajuste actual del temporizador empezará a destellar.
3. Presione el botón Temporizador nuevamente para cambiar el ajuste. Los ajustes en horas son APAGADO (Off), 2, 4, 8 y 10.
3. Cuando la pantalla LED muestre el tiempo de operación que usted desea, libere el botón temporizador. Luego de 2 segundos, el tiempo de operación está fijado y la pantalla LED mostrará la humedad relativa.
4. El humidificador automáticamente se apagará cuando expire el tiempo fijado.

# Características y opciones del Humidificador (continuación)

---

## Ajuste Span

Su humidificador es fijado en fábrica para alternar en el ajuste 2. Si encuentra que los ciclos de su humidificador alternan muy seguido o con poca frecuencia, modifique el ajuste Span para cambiar el tiempo del ciclo.

1. Para ver el ajuste Span actual, presione los botones Humedad y Velocidad.
2. Para cambiar el ajuste Span, presione y mantenga presionados por 3 segundos los botones Humedad y Velocidad. La pantalla LED destellará el ajuste Span actual.
3. Presione el botón Velocidad para cambiar el ajuste Span. Fije el Span en 3 para aumentar el tiempo de funcionamiento del humidificador. Fije el Span en 1 para disminuir el tiempo de funcionamiento del humidificador.
4. Cuando la pantalla LED muestre el ajuste que usted desee, libere el botón Velocidad. Luego de dos segundos, el Span está fijado y la pantalla LED mostrará la humedad relativa.

## Luz de noche NiteGlo™

Presione el botón NiteGlo™ del Panel de control para encender y apagar la luz de noche. La luz de noche NiteGlo™ puede ser encendida incluso cuando el humidificador esté apagado.

## Rellenado del Tanque de agua

---

1. Si el nivel del tanque de agua es bajo, APAGUE y desconecte el humidificador.
2. Retire el tanque y llévelo a un fregadero o bañera para llenarlo nuevamente.
3. Invierta la posición del tanque y desenrosque la tapa del tanque girando en sentido antihorario. Vacíe el tanque, llénelo con agua fría y fresca (jamás use agua caliente), y coloque nuevamente la tapa del tanque. Asegúrese de no llenar demasiado el tanque ya que pueden ocurrir daños en los muebles o en el suelo debido a derrames de agua. HUNTER NO ACEPTARÁ RESPONSABILIDAD POR DAÑOS A LA PROPIEDAD CAUSADOS POR DERRAMES DE AGUA.
4. Coloque el tanque nuevamente en el humidificador. Voltee el tanque verticalmente y colóquelo sobre el humidificador. Asegúrese de que el tanque encaje correctamente en la base. Si el tanque está colocado correctamente en la base, usted podrá ver burbujas de aire que fluyen del tanque.

# Mantenimiento del Humidificador

Muchas regiones tienen agua dura con altas concentraciones de minerales. Cuando el agua se evapora del Humidificador de evaporación Hunter®, los minerales pueden permanecer. Estos minerales pueden formar una dura incrustación blanca que puede ser eliminada usando las siguientes instrucciones de limpieza. La frecuencia de limpieza debido a la acumulación de mineral puede variar según la calidad del agua que tenga.

Consulte los nombres de las partes en la Figura 1.

1. APAGUE el humidificador y desconecte la unidad.
2. Levante el alojamiento principal como se muestra en la figura 5. El motor está fijado al alojamiento principal. No coloque el motor cerca del agua.

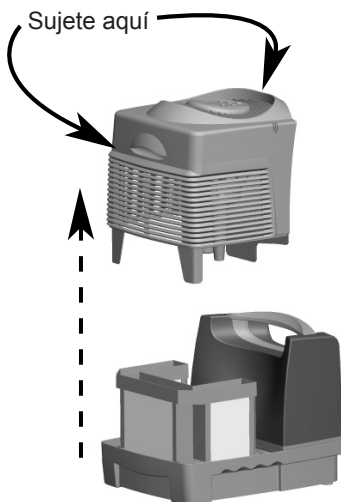


Figura 5

3. Retire la Placa de drenaje y las tres Mechas. Vea las figuras 6A y 6B.

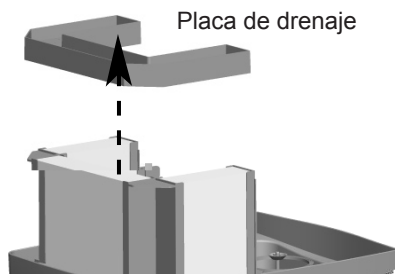


Figura 6A

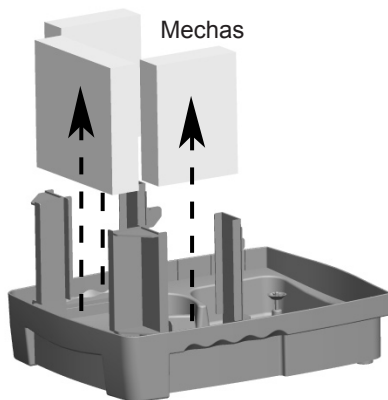


Figura 6B

# Mantenimiento del humidificador (continuación)

- Invierta la posición del alojamiento principal para tener acceso a las partes limpiables del humidificador.
- Presione los seguros del cabezal rociador en la dirección que se muestra en la figura 7, liberando el cabezal. Luego levante suavemente el cabezal rociador de su posición y déjelo descansar en el alojamiento principal.

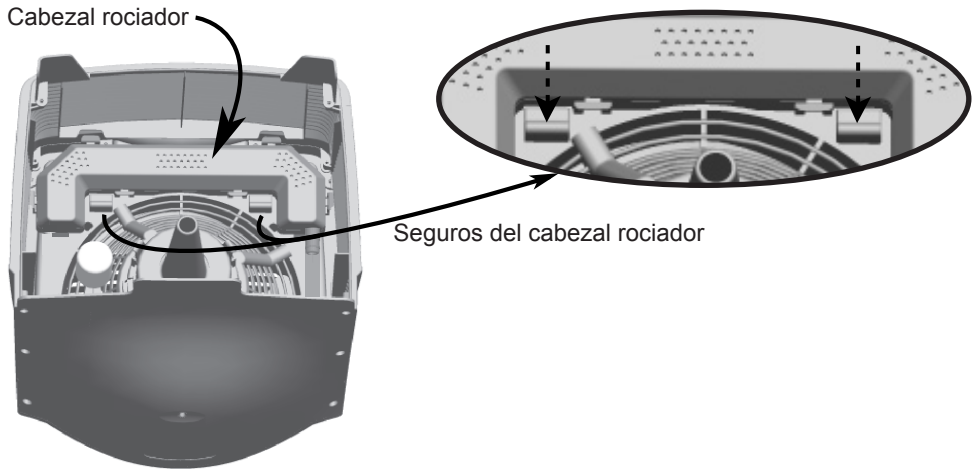


Figura 7

- Presione los tres seguros de la cubierta de la bomba en la dirección que se muestra en la figura 8, liberando la cubierta de la bomba.

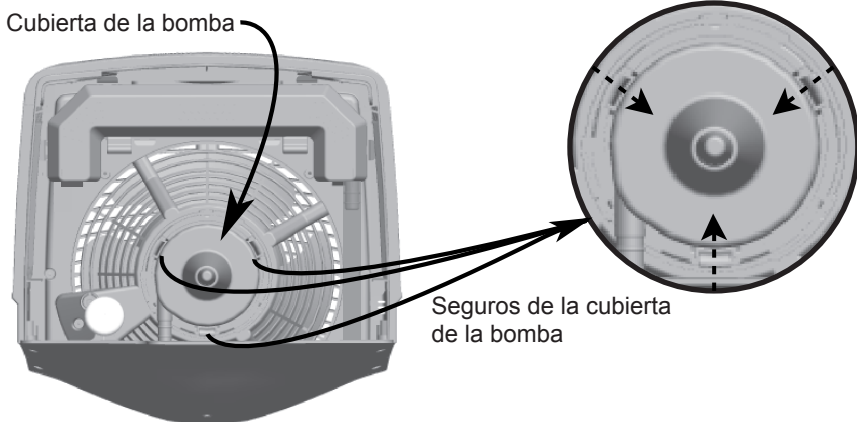


Figura 8

# Mantenimiento del humidificador (continuación)

7. Retire el cabezal rociador, la cubierta de la bomba y la manguera del alojamiento principal. Vea la Figura 9.

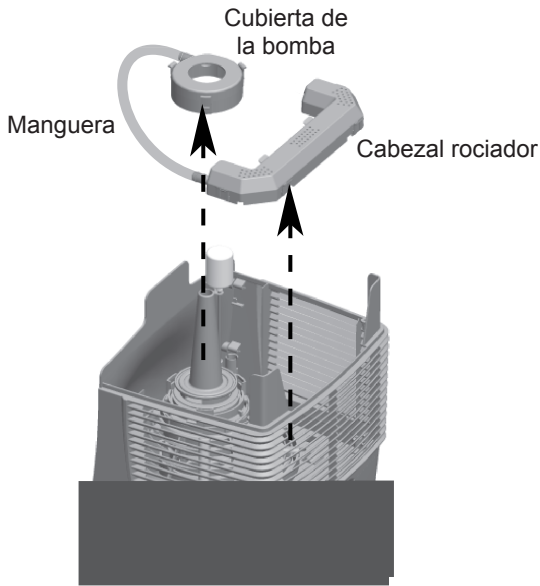


Figura 9

8. Presione los seis seguros del cabezal rociador en la dirección que se muestra en la figura 10 para separar las dos mitades del cabezal rociador.

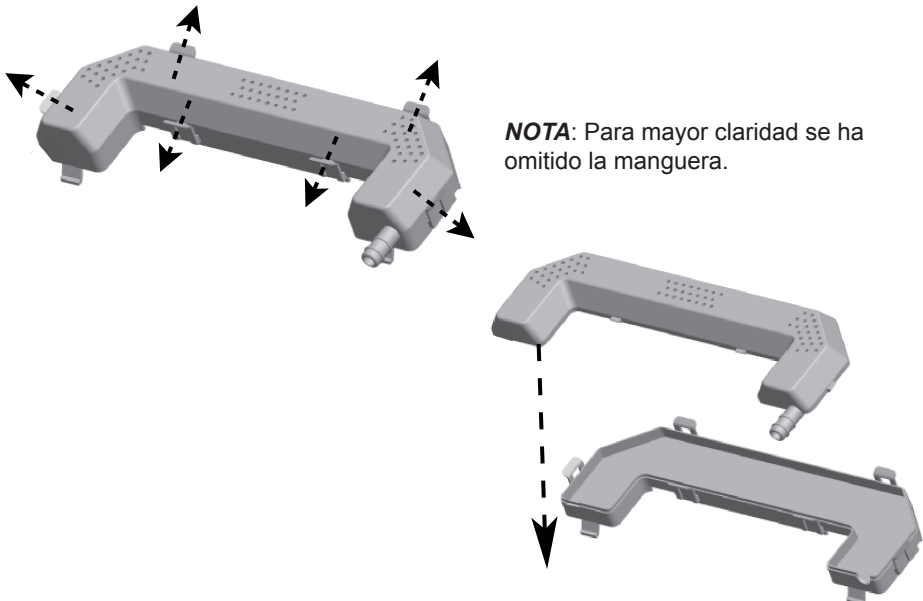


Figura 10

# Mantenimiento del humidificador (continuación)

9. Sujete el anillo bloqueador del eje del motor de manera que no pueda girar. Gire la bomba en sentido antihorario como se muestra en la figura 11 para aflojarlo. NOTA: Girar la bomba en sentido horario la ajusta.

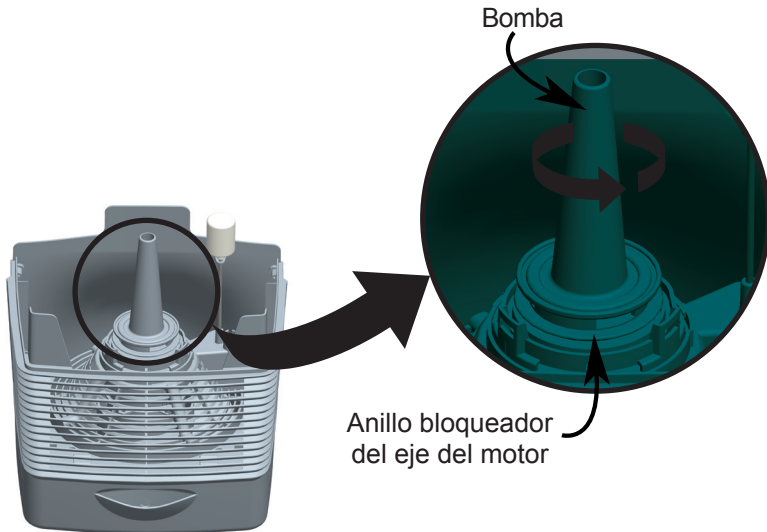


Figura 11

10. Retire la bomba y el anillo bloqueador del eje del motor. Vea la Figura 12.

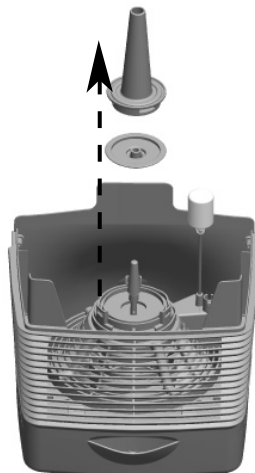


Figura 12

# Mantenimiento del humidificador (continuación)

11. No exponga el motor ni otros componentes eléctricos al agua. No use una toalla húmeda en el motor o alojamiento del motor, ya que puede provocar un choque eléctrico.
12. Retire el tanque de agua de la base y vacíe el agua que haya quedado en el tanque. Llene el tanque de agua con una mezcla de un (1) galón de agua y ocho (8) onzas de vinagre blanco. Deje la mezcla en el tanque de agua por 20 minutos, sacudiendo el Tanque de cuando en cuando. Luego de 20 minutos, sacuda por última vez el Tanque y deseche la mezcla. Enjuague el tanque de agua varias veces con agua limpia. Deje el tanque de agua destapado para que seque completamente.
13. Llene la base con una mezcla de un (1) galón de agua y ocho (8) onzas de vinagre blanco. Deje la mezcla en la base por 20 minutos, luego deseche la mezcla. Enjuague bien la base con agua limpia y deje secar al aire o séquela con un paño.
14. Enjuague con agua limpia el cabezal rociador, la tapa de la bomba, la manguera, la bomba y el anillo bloqueador del eje del motor para eliminar cualquier residuo. Si las partes muestran residuo de agua dura, remójelas en una mezcla de un (1) galón de agua y ocho (8) onzas de vinagre blanco por 20 minutos, luego enjuague bien las partes con agua limpia.
15. Limpie las superficies del alojamiento principal con un paño suave.
16. Una vez que todas las partes estén limpias, vuelva a ensamblar el humidificador. **NOTA:** La parte inferior del anillo bloqueador del eje del motor tiene una ranura que encaja en las dos puntas del eje del motor. Vea la Figura 13. La ranura y las puntas **DEBEN ACOPLARSE** para que el humidificador sea ensamblado adecuadamente.

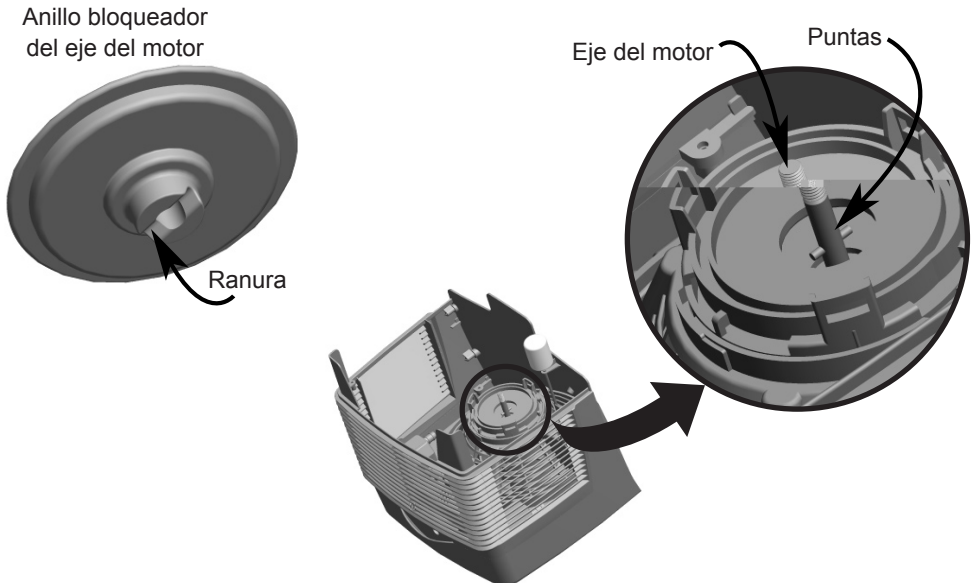


Figura 13

17. Siga la sección USO DE SU HUMIDIFICADOR para continuar el uso. Si guarda el humidificador, asegúrese de que las partes estén completamente secas.

# Partes de repuesto

---

Para obtener una parte de repuesto para su humidificador, llame a Servicio al cliente al 1-888-830-1326 o escríbanos a [techsupport@hunterfan.com](mailto:techsupport@hunterfan.com). Debe estar preparado para indicar al operador el número de modelo de su humidificador y el nombre y número de parte del componente que necesita reemplazar. Consulte los nombres de las partes en la Figura 1.

Modelo N°:	Base	Conjunto del Tanque	Juego de mechas de repuesto
34407	97668	97670	87955



# Hunter Fan Company

## Humidificador de evaporación Hunter®

### GARANTÍA LIMITADA DE 5 AÑOS

---

Hunter Fan Company, Inc. otorga la siguiente garantía al usuario o comprador residencial original del Humidificador de evaporación:

Si cualquier pieza del Humidificador de evaporación ("Humidificador") falla durante los primeros 5 (cinco) años desde la fecha de instalación debido a un defecto en el material o en la mano de obra, proporcionaremos una pieza de repuesto en forma gratuita. Si no puede suministrarse la parte de reemplazo para dicho motor, reemplazaremos su humidificador.

Si su humidificador falla dentro de un (1) año después de la fecha de instalación debido a un defecto en el material o en la realización, se suministrará gratuitamente la mano de obra para reparar la falla en nuestro centro de servicio más cercano o en nuestro Departamento de Servicio en Memphis, Tennessee. Usted será responsable por el costo de las piezas y la mano de obra después de este período de un año.

Si el tanque de agua, marco del filtro, base, perillas o tapa del tanque de su humidificador fallan en cualquier momento dentro de un (1) año a partir de la fecha de compra debido a un defecto de material o mano de obra, repararemos o a nuestra opción, reemplazaremos el tanque de agua, marco del filtro, base, perillas o tapa del tanque sin ningún cargo para usted por partes o mano de obra en nuestro centro de servicio más cercano o en nuestro Departamento de Servicio en Memphis, Tennessee.

SI EL USUARIO O COMPRADOR RESIDENCIAL ORIGINAL DEJA DE POSEER EL HUMIDIFICADOR, ESTA GARANTÍA Y CUALQUIER GARANTÍA IMPLÍCITA QUE PERMANEZCA EN EFECTO, INCLUYENDO PERO SIN LIMITARSE A TODA GARANTÍA IMPLÍCITA DE COMERCIABILIDAD O IDONEIDAD PARA UN PROPÓSITO PARTICULAR, QUEDA ANULADA.

NO SE OFRECE NINGUNA GARANTÍA EXPRESA O IMPLÍCITA, INCLUYENDO CUALQUIER GARANTÍA DE COMERCIABILIDAD O IDONEIDAD PARA UN PROPÓSITO PARTICULAR, EN RELACIÓN CON EL FILTRO.

ESTA GARANTÍA SUSTITUYE A TODAS LAS OTRAS GARANTÍAS EXPRESAS. LA DURACIÓN DE TODA GARANTÍA IMPLÍCITA, INCLUYENDO PERO SIN LIMITARSE A CUALQUIER GARANTÍA IMPLÍCITA DE COMERCIABILIDAD O IDONEIDAD PARA UN PROPÓSITO PARTICULAR, RELACIONADA CON EL MOTOR ESTÁ EXPRESAMENTE LIMITADA AL PERÍODO DE LA GARANTÍA EXPRESA ESTABLECIDA ANTERIORMENTE.

Esta garantía es nula si su humidificador no es adquirido y usado en los EE.UU. o Canadá.

Continuación

Esta garantía excluye y no cubre defectos, funcionamientos defectuosos o fallas del Humidificador que fueran ocasionadas por reparaciones hechas por personas no autorizadas por nosotros, por el uso de piezas, o accesorios no autorizados por nosotros, por mal uso, modificaciones o daños al Humidificador mientras estuvo en su poder, o por un empleo no razonable, incluyendo la falta de suministrar mantenimiento razonable y necesario. Esta garantía no cubre humidificadores usados en aplicaciones comerciales. No hay garantías expresas o implícitas en lo que respecta a compradores o usuarios comerciales.

Para obtener servicio, contacte con Departamento de servicio de Hunter Fan Company, en 2500 Frisco Avenue, Memphis, Tennessee 38114, 1-888-830-1326. Usted será responsable por el seguro y el flete u otro transporte hasta nuestro centro de servicio en la fábrica. Devolveremos el humidificador con el flete prepago a usted. El humidificador debe estar adecuadamente empacado para evitar daños mientras esté en tránsito, ya que no seremos responsables de dichos daños. Debe proporcionar una prueba de su compra cuando solicite un servicio de garantía. El comprador debe presentar el recibo de compra u otro documento que establezca la prueba de su compra.

EN NINGÚN CASO, HUNTER FAN COMPANY SERÁ RESPONSABLE DE DAÑOS DIRECTOS, INDIRECTOS, CUANTIFICABLES, PERJUDICIALES O ACCESORIOS, EN EXCESO DEL PRECIO DE COMPRA DEL HUMIDIFICADOR. SU ÚNICO RECURSO SERÁ LA REPARACIÓN O EL REEMPLAZO COMO SE ESTIPULÓ ANTERIORMENTE.

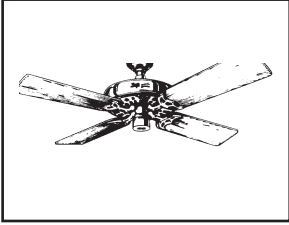
ALGUNOS ESTADOS NORTEAMERICANOS Y ALGUNAS PROVINCIAS CANADIENSES NO PERMITEN

- LIMITACIONES SOBRE LA DURACIÓN DE UNA GARANTÍA IMPLÍCITA;
- LA EXCLUSIÓN O LIMITACIÓN DE DAÑOS DIRECTOS, INDIRECTOS, CUANTIFICABLES, ACCESORIOS O PERJUDICIALES;
- LA EXCLUSIÓN O NULIDAD DE LAS GARANTÍAS EXPRESAS O IMPLÍCITAS SI EL USUARIO DEJA DE POSEER EL HUMIDIFICADOR;
- LA LIMITACIÓN DE LAS SOLUCIONES Y RECURSOS DISPONIBLES AL COMPRADOR; O
- LA NULIDAD DE UNA GARANTÍA EXPRESA CUANDO NO SE USA UN PRODUCTO IDENTIFICADO POR NOMBRE DE MARCA (A MENOS QUE SE CUMPLAN CONDICIONES ESPECÍFICAS);

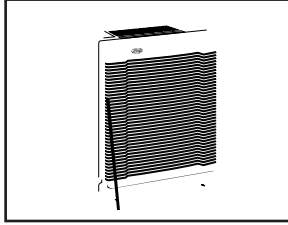
DE MODO QUE LAS LIMITACIONES O EXCLUSIONES ANTES MENCIONADAS PUEDEN NO APLICARSE A USTED.

ESTA GARANTÍA LE DA DERECHOS LEGALES ESPECÍFICOS, PERO USTED TAMBIÉN PUEDE TENER OTROS DERECHOS QUE VARÍAN DE ESTADO A ESTADO O DE PROVINCIA A PROVINCIA.

# Otros productos Hunter para la comodidad de su hogar



Hunter Original®



Purificador de aire



Termostato  
programable

Para obtener más información sobre los productos Hunter Fan Company,  
visite nuestra página Web en:

[www.hunterfan.com](http://www.hunterfan.com)

HUNTER FAN COMPANY  
2500 FRISCO AVENUE  
Memphis, TN 38114, USA



## Free Manuals Download Website

<http://myh66.com>

<http://usermanuals.us>

<http://www.somanuals.com>

<http://www.4manuals.cc>

<http://www.manual-lib.com>

<http://www.404manual.com>

<http://www.luxmanual.com>

<http://aubethermostatmanual.com>

Golf course search by state

<http://golfingnear.com>

Email search by domain

<http://emailbydomain.com>

Auto manuals search

<http://auto.somanuals.com>

TV manuals search

<http://tv.somanuals.com>