

# Four Light Fixture

Owner's Guide and Installation Manual  
Manual De Propietario



English

Español

Form# 43553-01  
20090515  
©2009 Hunter Fan Co.

*SINCE 1886*  
**Hunter**<sup>®</sup>

## Welcome

### For Your Records and Warranty Assistance

For reference, also attach your receipt or a copy of your receipt to the manual.

\_\_\_\_\_

Model Name

\_\_\_\_\_

Model No.

\_\_\_\_\_

Date Purchased

\_\_\_\_\_

Where Purchased

#### Table Of Contents

- 1 • Installing the Light fixture on Fans With Removable Switch Housings . . . . . 4
- 2 • Installing the Light fixture on Fans With Non-Removable Switch Housings . . 6
- 3 • Installing the Light fixture on the Hunter Originals . . . . . 8
- 4 • Installing Bulbs and Shades . . . . . 9
- 5 • Troubleshooting . . . . . 10

Your new Hunter® light fixture is an addition to your home or office that will provide comfort and performance for many years. This installation and operation manual gives you complete instructions for installing and operating your light fixture.

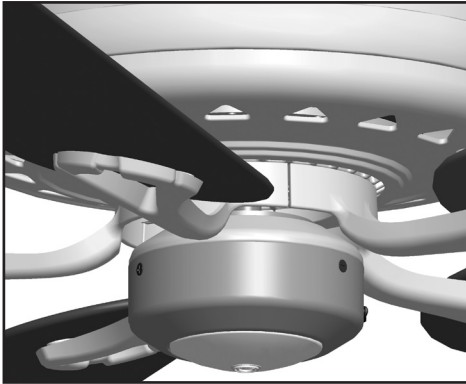
We are proud of our work. We appreciate the opportunity to supply you with the best products available anywhere in the world.

Before installing your light fixture, for your records and warranty assistance, record information from the carton and Hunter nameplate label.

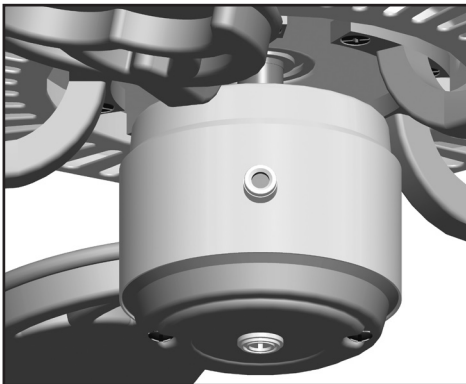
### Cautions and Warnings

- **READ THIS ENTIRE MANUAL CAREFULLY BEFORE BEGINNING INSTALLATION. SAVE THESE INSTRUCTIONS.**
- Use only Hunter replacement parts.
- To reduce the risk of personal injury, install this light fixture only on Hunter® fan types A through Z. **Note:** The fan type can be found on the ceiling fan package or on the nameplate label located on top of the motor housing of the ceiling fan.
- To avoid possible electrical shock, before installing light fixtures, disconnect the power by turning off the circuit breakers both to the outlet box and to its associated wall switch location. If you cannot lock the circuit breakers in the off position, securely fasten a prominent warning device, such as a tag, to the service panel.
- Connect house wiring to the fan before attaching the light fixture to the fan.
- All wiring must be in accordance with national and local electrical codes and ANSI/NFPA 70. If you are unfamiliar with wiring, use a qualified electrician.

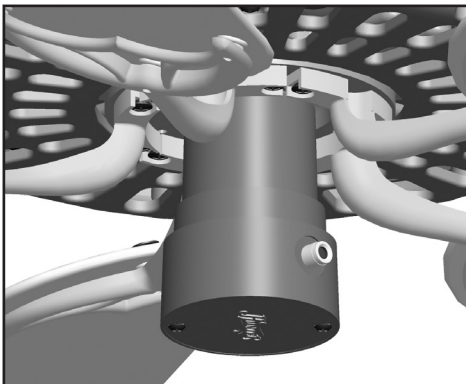
## Installation Methods of Hunter® Ceiling Fans Type A-Z



Removable Switch Housing



Non-removable Switch Housing



The Hunter Original

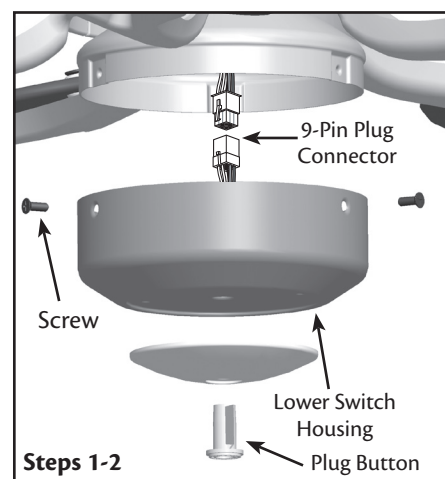
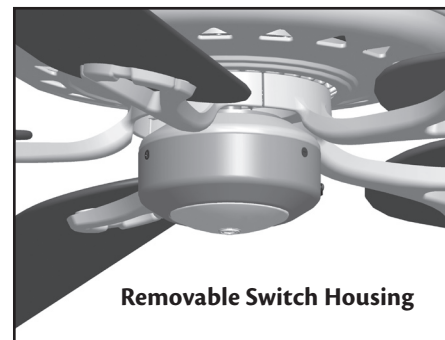
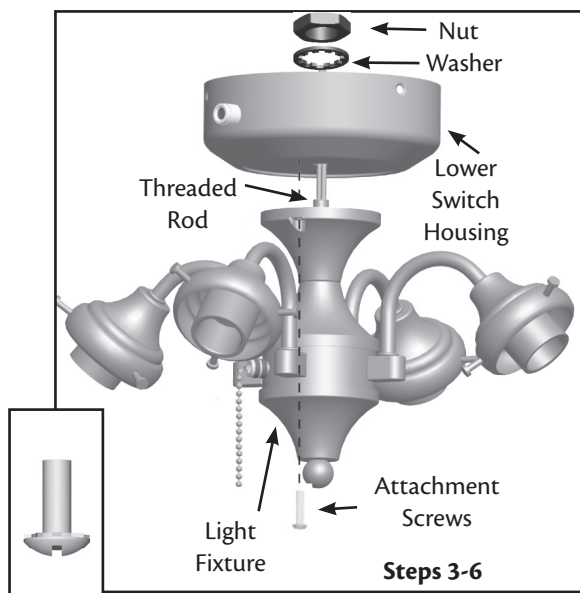
Your *Hunter*® light fixture can be installed in one of three ways, depending on the type of switch housing. The steps in this manual include instructions for all three installation methods: Fans with removable switch housings, fans with non-removable switch housings, and The Hunter Original.

### Preparing the Light Fixture

1. Shades are not included with this light fixture. Be sure to purchase shades for your light fixture before installing this light fixture.
2. Disconnect power by turning off the circuit breakers both to the outlet box and to its associated wall switch location.

## 1 • Installing the Light fixture on Fans With Removable Switch Housings

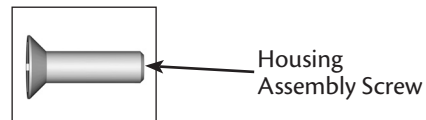
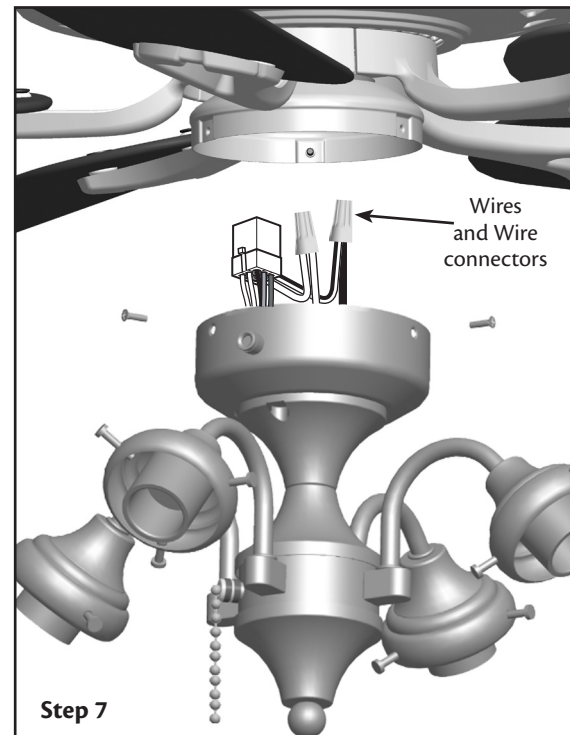
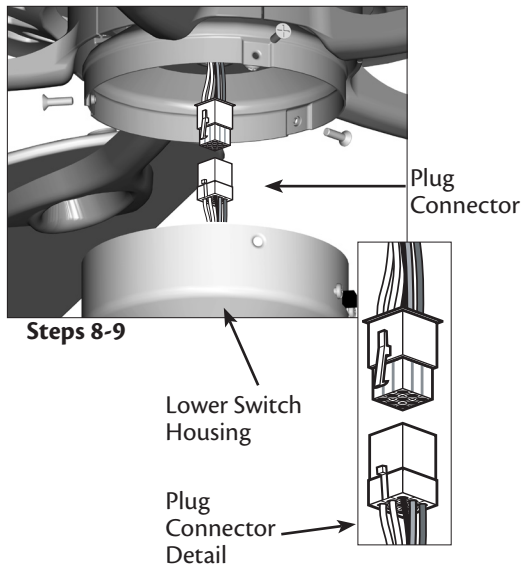
1. Unscrew the three screws from the upper switch housing. Disconnect the 9-pin plug connectors. Remove the lower switch housing.
2. Push the plug button from inside the lower switch housing to remove the plug button and switch housing cap.  
**NOTE:** Save the plug button and switch housing cap should you choose to remove the light fixture in the future.
3. Feed the two wires from the light fixture through the center hole in the lower switch housing.
4. Screw the threaded rod of the light fixture into the center of the lower switch housing until you feel resistance. Unscrew the light fixture slightly until the holes of the light fixture are aligned with the holes in the the lower switch housing.
5. Finish attaching the light fixture to the lower switch housing using the two attachment screws included. Securely tighten the two screws.
6. Install the nut and washer inside the lower switch housing onto the threaded rod from the upper light housing.



**⚠ WARNING:** Improper installation could cause the light fixture to fall, or result in electrical shock or personal injury.

## 1 • Installing the Light fixture on Fans With Removable Switch Housing (Continued)

- Remove the wire connectors from the two wires in the switch housing labeled "Connect Light Here" or "For Light Use." To connect the wires, hold the bare metal leads together and place a wire connector over them, then twist the wire connector clockwise until tight. Connect the black wire with a white stripe from the switch housing to the black wire from the light fixture. Connect the white wire from the switch housing to the white wire from the light fixture. Secure all wire connections using wire connectors.
- CAUTION:** Be sure no bare metal wires or wire strands are visible after making the connections.
- Reconnect the 9-pin plug connector.
- Reinstall screws to reattach the lower switch housing to the upper switch housing.
- Go to the instructions for Installing Bulbs, and Shades.

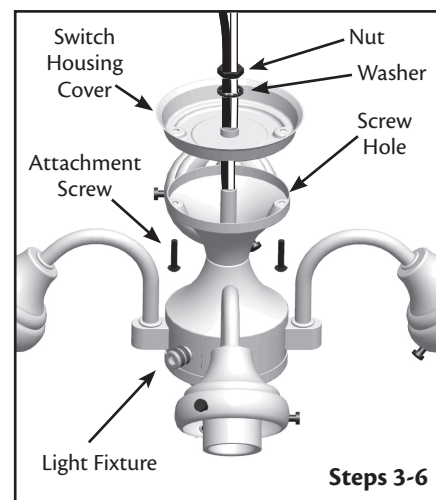
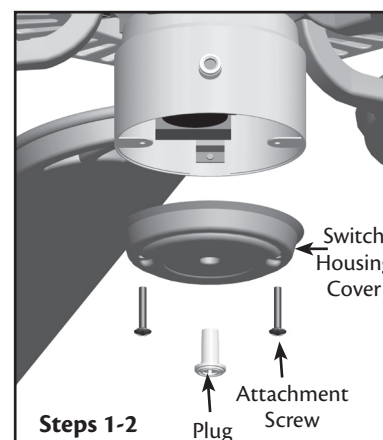
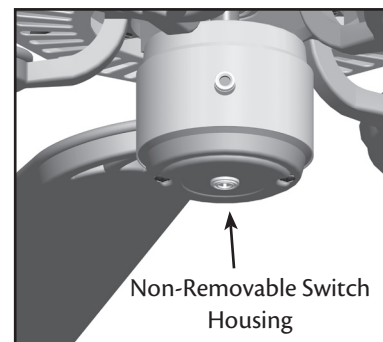
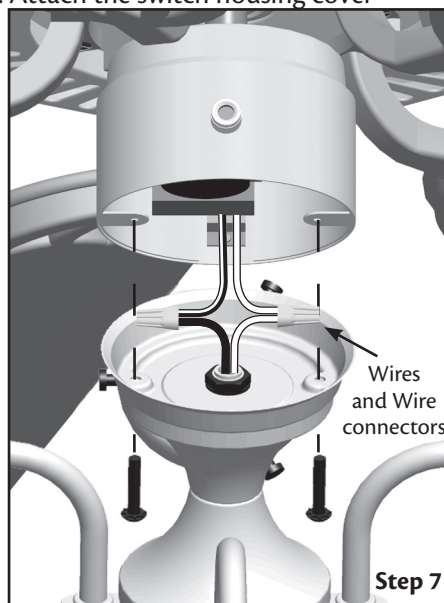


## 2 • Installing the Light fixture on Fans With Non-Removable Switch Housings

1. Uninstall the two attachment screws from the switch housing cover.
2. Remove the plug or screw from the center of the switch housing cover.
3. Thread the switch housing cover onto the light fixture. Align the screw holes in the light fixture with the screw holes in the switch housing cover.
4. Use the two attachment screws removed from the lower switch housing and the lock washers on the red tag of the light fixture. Install the screws into the light fixture and the housing. Securely tighten the two screws.
5. Remove the wire connectors from the two wires in the switch housing labeled "Connect Light Here" or "For Light Use." One wire is white and the other wire is black with a white stripe.
6. Feed the two wires from the switch housing through the threaded rod in the upper light housing.
7. To connect the wires, hold the bare metal leads together and place a wire connector over them, then twist the wire connector clockwise until tight. Connect the black wire with a white stripe from the switch housing to the black wire from the light fixture. Connect the white wire from the switch housing to the white wire from the light fixture. Secure all wire connections using wire connectors.
8. Align the threaded screw holes in the switch housing cover with the threaded holes in the switch housing. Attach the switch housing cover and light fixture to the switch housing using the included attachment screws.

**⚠ CAUTION:** Be sure no bare metal wires or wire strands are visible after making the connections.

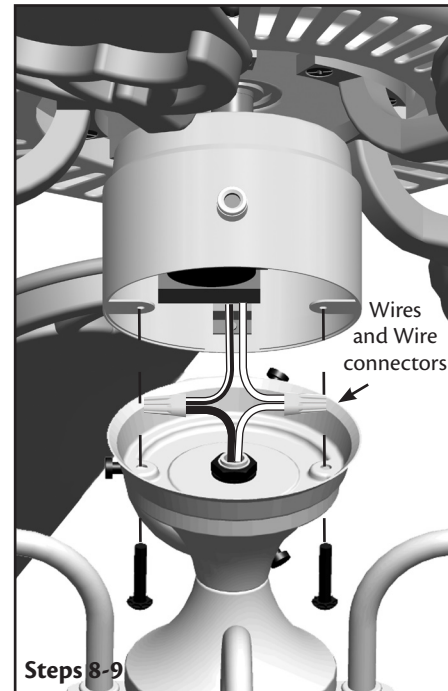
**⚠ WARNING:** Improper installation could cause the light fixture to fall.





## 2 • Installing the Light fixture on Fans With Non-Removable Switch Housings Cont.

9. Attach the light fixture to the switch housing with the two screws included with the light fixture, aligning the holes in the light fixture, switch housing cover, and switch housing.
10. Securely tighten the two screws.
11. Go to the instructions for Installing the Bulbs and Shades.



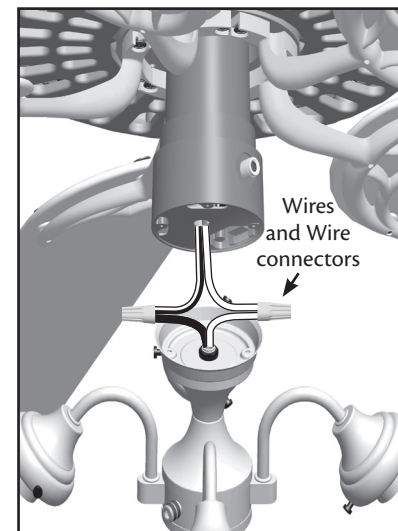
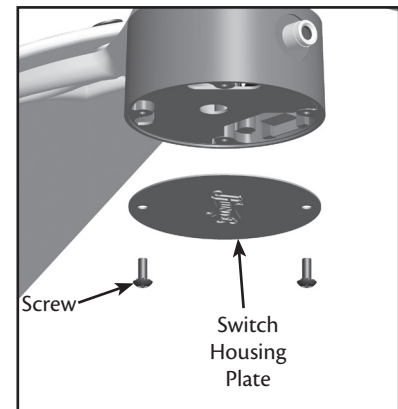
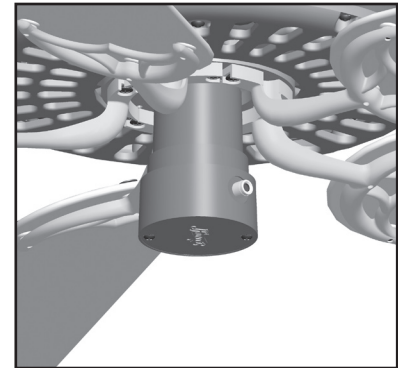
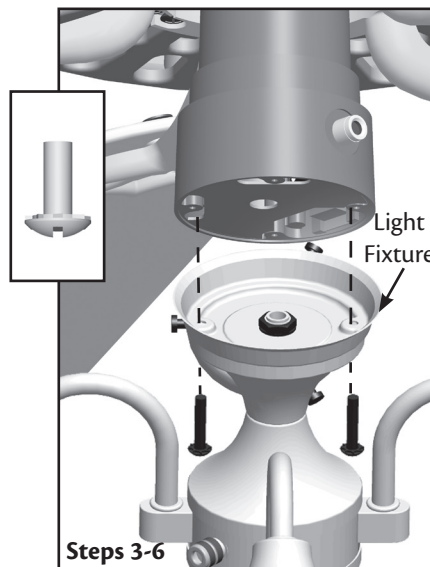
### 3 • Installing the Light fixture on the Hunter Originals

1. Uninstall the two screws from the switch housing plate.  
**NOTE:** Save the switch housing plate should you choose to remove the light fixture in the future.
2. Remove the wire connectors from the two wires in the switch housing labeled "Connect Light Here" or "For Light Use." One wire is white and the other wire is black wire with a white stripe. Thread the two wires through the hole in the center of the light fixture.
3. To connect the wires, hold the bare metal leads together and place a wire connector over them, then twist the wire connector clockwise until tight. Connect the black/white striped wire from the switch housing to the black wire from the light fixture. Connect the white wire from the switch housing to the white wire from the light fixture. Secure all wire connections using wire connectors.

**⚠ CAUTION:** Be sure no bare metal wires or wire strands are visible after making the connections.

4. Attach the light fixture to the switch housing with the two screws, included with the light fixture, aligning the holes in the fixture, switch housing cover, and switch housing.
5. Securely tighten the two screws.
6. Go to the instructions for Installing the Bulbs and Shades.

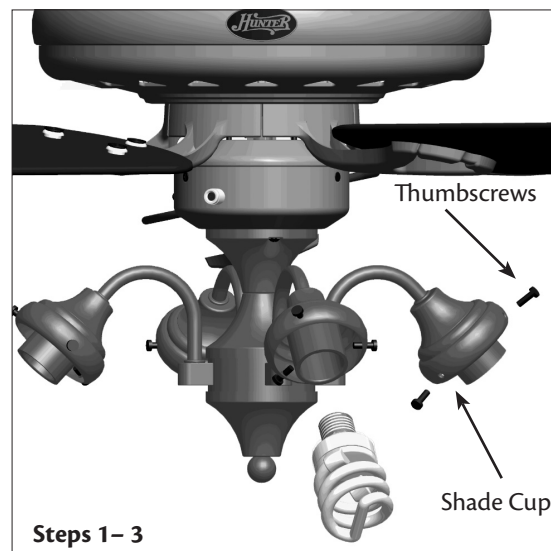
**⚠ WARNING:** Improper installation could cause the light fixture to fall, or result in electrical shock or personal injury.





## 4 • Installing Bulbs and Shades

1. Install four purchased shades for the light fixture. For each light, loosen the three thumbscrews in the shade cup. Place the shade into the shade cup and tighten the thumbscrews.
2. Install the included CFL light bulbs.
3. The installation is complete and you can restore power to the ceiling fan.



CFL bulb  
(included)

## 5 • Troubleshooting

### Troubleshooting

#### Light does not come on.

1. Make sure bulbs are installed properly.
2. Make sure breakers or fuses are on.
3. Verify that the light power lead is connected at the ceiling. Refer to your ceiling fan manual for locating assembly and wiring.

#### Glass rattles.

1. Make sure the glass shades are secure.

If you need parts or service assistance, please call 888-830-1326 (In Canada, call 866-268-1936) or visit us at our Web site at <http://www.hunterfan.com>.

Hunter Fan Company  
7130 Goodlett Farms Pkwy. # 400  
Memphis, Tennessee 38016

This Light Fixture Weighs 4 lbs.

Printed in China

## Free Manuals Download Website

<http://myh66.com>

<http://usermanuals.us>

<http://www.somanuals.com>

<http://www.4manuals.cc>

<http://www.manual-lib.com>

<http://www.404manual.com>

<http://www.luxmanual.com>

<http://aubethermostatmanual.com>

Golf course search by state

<http://golfingnear.com>

Email search by domain

<http://emailbydomain.com>

Auto manuals search

<http://auto.somanuals.com>

TV manuals search

<http://tv.somanuals.com>