



# Hunter Outdoor Light Fixture Installation Instructions



41370-01 7/28/2005

## **⚠ CAUTIONS**

- **Read all installation instructions carefully before beginning installation and save these instructions.**
- **To reduce the risk of electrical shock and/or fire, install this light fixture only on Hunter™ type 5 fans marked suitable for use in wet locations, when installed in a GFCI protected branch circuit. Note: The fan type can be found on the ceiling fan package and on the name plate label located on top of the motor housing of the ceiling fan.**

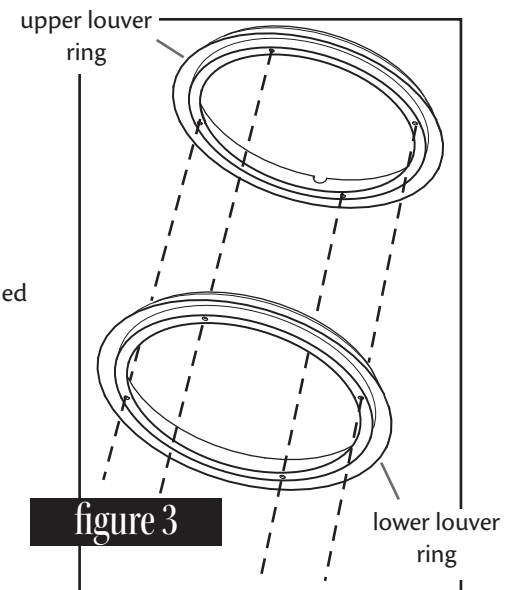
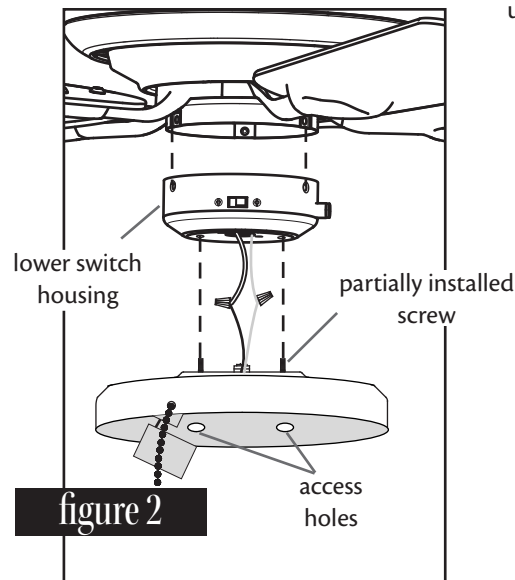
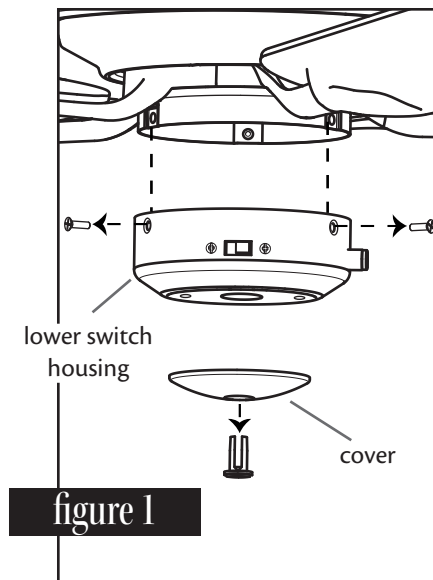
## **⚠ WARNINGS**

- **To avoid possible electrical shock, before installing light fixtures disconnect power by turning off the circuit breakers both to the outlet box and to its associated wall switch location. If you cannot lock the circuit breakers in the off position, securely fasten a prominent warning device, such as a tag, to the service panel.**
- **Connect house wiring to the fan before attaching the light fixture to the fan.**
- **All wiring must be in accordance with national and local electrical codes. If you are unfamiliar with wiring, you should use a qualified electrician. Professional installation is recommended.**

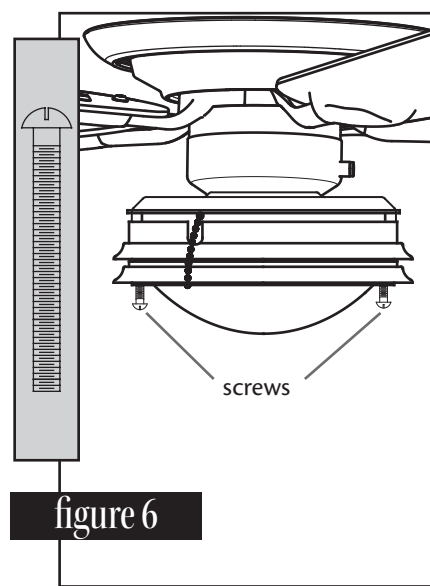
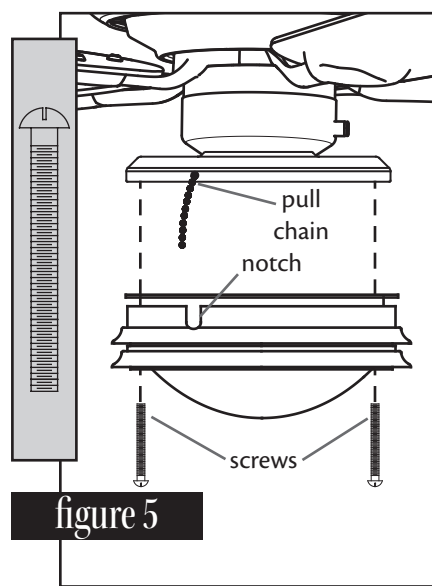
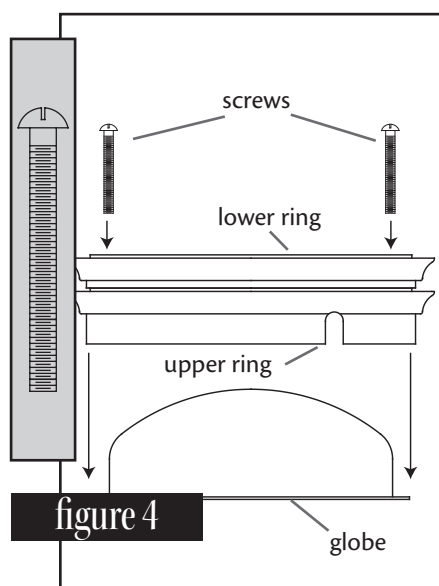


## Steps

1. Disconnect power to the ceiling fan by turning off the circuit breakers to both the outlet box and to its associated wall switch location.
2. Remove the lower switch housing from the fan and remove the cover. **(see figure 1)**
3. Locate the black wire with a white stripe and the white wire in the lower switch housing. Using approved wire nut connectors, connect the black wire with a white stripe from the lower switch housing to the black wire from the light kit, then connect the white wire from the lower switch housing to the white wire from the light kit. **(see figure 2)**
4. Align the holes in the lower switch housing with the two partially installed screws in the top of the light kit. These screws can be accessed through the two holes in the metal plate which sits below the light socket. **(see figure 2)**
5. Attach the light kit to the lower switch housing by securely tightening the two partially installed screws. Reinstall the lower switch housing. **⚠ WARNING:** Improper installation could cause the light fixture to fall.
6. Install one 75 Watt max A-19 bulb into the light socket.
7. Align the four holes in the upper louver ring with the four holes in the lower louver ring. When the holes are properly aligned, the two rings will loosely lock together. **(see figure 3)**



8. Place the two louver rings over the globe and align the four holes in the rings with the four holes in the globe. Thread two screws through to keep the holes aligned. **(see figure 4)**
9. Align the notch in the upper louver ring with the pull chain switch on the light kit. Align two screws with two of the four holes in the light kit rim. **(see figure 5)**
10. Securely install the two threaded screws, followed by the two remaining screws. **(see figure 6)**
11. Restore power to the ceiling fan.



## Troubleshooting

### **Light does not come on.**

1. Pull light pull chain one or two times to see if light comes on.
2. Make sure the bulb is installed properly and filament is not blown.
3. Make sure breakers or fuses are on.
4. Verify that the light power lead is connected at the ceiling. Refer to your ceiling fan manual for locating, assembly and wiring.

### **Globe rattles.**

1. Make sure the globe is secure.
2. Tighten all screws.

For questions, contact the Hunter Fan Company Technical Support at  
1-888-830-1326 or  
[techsupport@hunterfan.com](mailto:techsupport@hunterfan.com).

<http://www.hunterfan.com>

The logo for Hunter Fan Company, featuring the word "HUNTER" in a stylized, white, serif font with a decorative flourish underneath.

Hunter Fan Company  
2500 Frisco Avenue  
Memphis, Tennessee 38114



This Light Fixture weighs 1.9 lbs.

© 2005 Hunter Fan Company

Printed in China & Taiwan

## Free Manuals Download Website

<http://myh66.com>

<http://usermanuals.us>

<http://www.somanuals.com>

<http://www.4manuals.cc>

<http://www.manual-lib.com>

<http://www.404manual.com>

<http://www.luxmanual.com>

<http://aubethermostatmanual.com>

Golf course search by state

<http://golfingnear.com>

Email search by domain

<http://emailbydomain.com>

Auto manuals search

<http://auto.somanuals.com>

TV manuals search

<http://tv.somanuals.com>