



Hunter Light Fixture Installation Instructions



⚠ CAUTIONS

- Read entire installation instructions carefully before beginning installation and save these instructions.
- To reduce the risk of electrical shock, install this light fixture only on Hunter™ fan types A through Z. Note: The fan type can be found on the ceiling fan package or on the name plate label located on top of the motor housing of the ceiling fan.

⚠ WARNINGS

- To avoid possible electrical shock, before installing light fixtures disconnect power by turning off the circuit breakers both to the outlet box and to its associated wall switch location. If you cannot lock the circuit breakers in the off position, securely fasten a prominent warning device, such as a tag, to the service panel.
- Connect house wiring to the fan before attaching the light fixture to the fan.
- All wiring must be in accordance with national and local electrical codes. If you are unfamiliar with wiring, you should use a qualified electrician. Professional installation is recommended.

Troubleshooting

Light does not come on.

1. Pull light pull chain one or two times to see if light comes on.
2. Make sure bulbs are installed properly and filament is not blown.
3. Make sure breakers or fuses are on.
4. Verify that the light power lead is connected at the ceiling. Refer to your ceiling fan manual for locating assembly and wiring.

Glass rattles.

1. Securely tighten the finial.

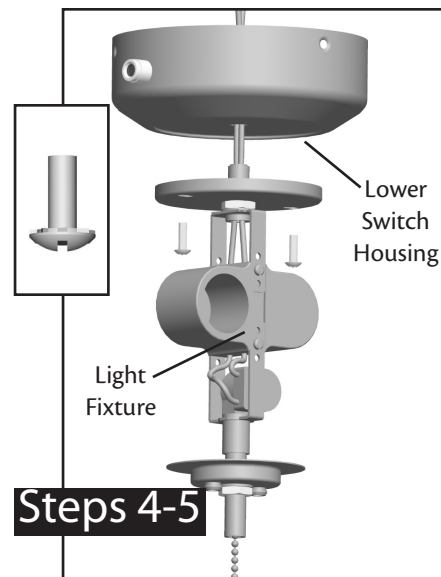
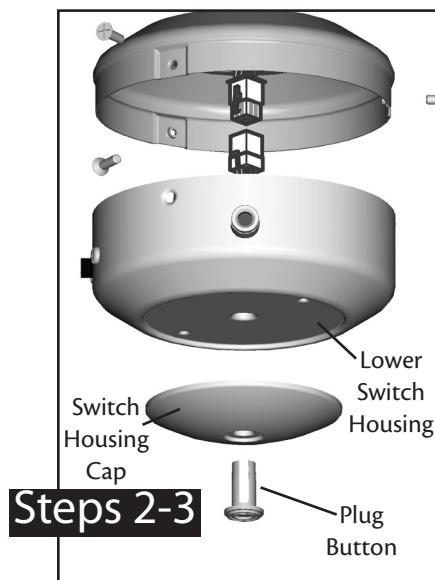
For other problems or questions, contact the Hunter Fan Company Technical Support at
1-888-830-1326 or
techsupport@hunterfan.com.

<http://www.hunterfan.com>

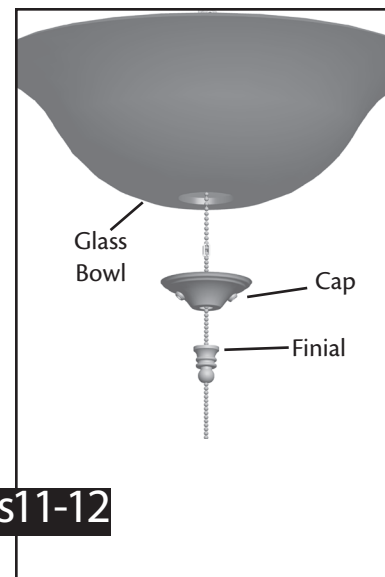
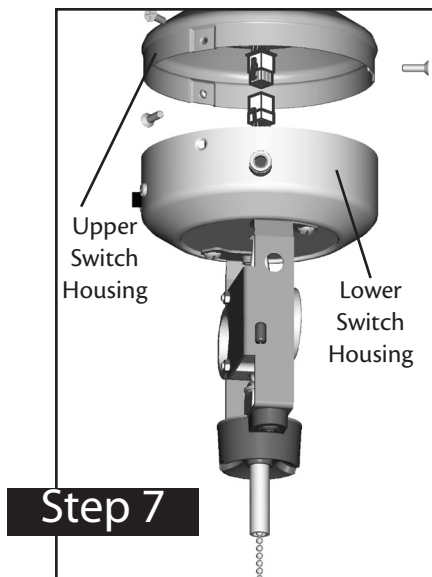
The logo for Hunter Fan Company, featuring the word "HUNTER" in a stylized, white, serif font with a decorative flourish underneath.

If you are installing this light fixture on a Hunter Original Ceiling Fan, refer to the “For Hunter Original Ceiling Fans Only” section.

1. Disconnect power to the ceiling fan by turning off the circuit breakers both to the outlet box and to its associated wall switch location.
2. Remove the lower switch housing by unscrewing the three screws from the upper switch housing. Disconnect the 9-pin plug connectors.
3. Push the plug button from inside the lower switch housing to remove the plug button and switch housing cap.
Note: Save the plug button and switch housing cap should you choose to remove the light fixture in the future.
4. Feed the two wires from the light fixture through the center hole in the lower switch housing.
5. Attach the light fixture to the lower switch housing with the two screws included with the light fixture. Securely tighten the two screws.
WARNING: Improper installation could cause the light fixture to fall.
6. Remove the wire nut from the black/white wire in the lower switch housing. Use this wire nut to connect the black/white wire from the lower switch housing to the black wire from the light fixture. Remove the wire nut from the white wire in the lower switch housing. Use this wire nut to connect the white wire from the lower switch housing to the white wire from the light fixture.



7. Connect the 9-pin plug connectors. Attach the lower switch housing to the upper switch housing with the three previously removed screws.
8. Install 2 - 60 W Max B-10 Candelabra bulbs.
9. Attach the 8" extension chain to the fan pull chain.
10. Thread the light pull chain through the center hole in the adapter, cap and finial. Thread the fan pull chain through the side hole in the adapter and cap.
11. Place the glass bowl and cap over the threaded rod.
12. Screw the finial onto the end of threaded rod to secure the glass bowl.
Note: If the glass bowl is crooked, you can loosen the finial and adjust the glass bowl until it is level. Once level, securely tighten the finial.
13. Restore power to the ceiling fan.

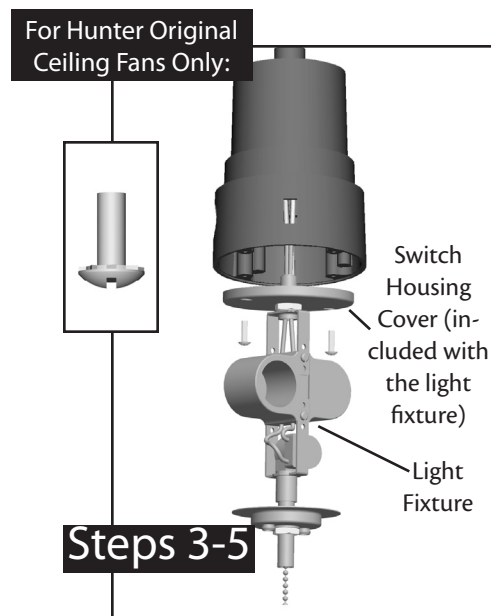
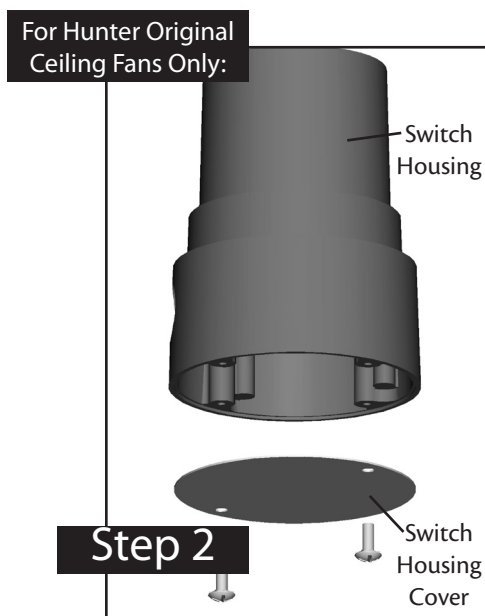


For Hunter Original Ceiling Fans Only:

1. Disconnect power to the ceiling fan by turning off the circuit breakers both to the outlet box and to its associated wall switch location.
2. Remove the switch housing cover by unscrewing the two screws.
Note: Save the switch housing cover and two screws should you choose to remove the light fixture in the future.
3. Feed the two wires from the light fixture through the center hole in the switch housing cover (included with the light fixture).
4. Remove the wire nut from the black/white wire in the switch housing. Use this wire nut to connect the black/white wire from the switch housing to the black wire from the light fixture. Remove the wire nut from the white wire in the switch housing. Use this wire nut to connect the white wire from the switch housing to the white wire from the light fixture.
5. Attach the light fixture to the switch housing with the two screws, included with the light fixture, aligning the holes in the light fixture, switch housing cover, and switch housing. Securely tighten the two screws.

WARNING: Improper installation could cause the light fixture to fall.

Continue with Step 8.



Hunter Fan Company
2500 Frisco Avenue
Memphis, Tennessee 38114



This Light Fixture weighs 2.5 lbs.

© 2008 Hunter Fan Company

Printed in China & Taiwan

Free Manuals Download Website

<http://myh66.com>

<http://usermanuals.us>

<http://www.somanuals.com>

<http://www.4manuals.cc>

<http://www.manual-lib.com>

<http://www.404manual.com>

<http://www.luxmanual.com>

<http://aubethermostatmanual.com>

Golf course search by state

<http://golfingnear.com>

Email search by domain

<http://emailbydomain.com>

Auto manuals search

<http://auto.somanuals.com>

TV manuals search

<http://tv.somanuals.com>