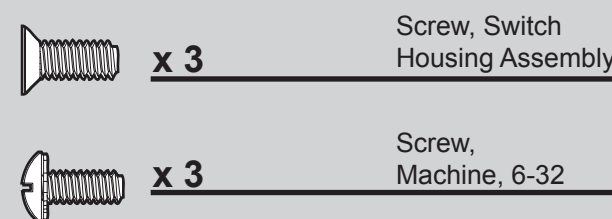
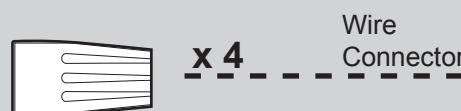
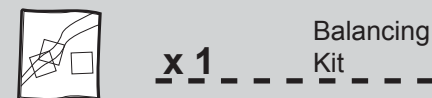
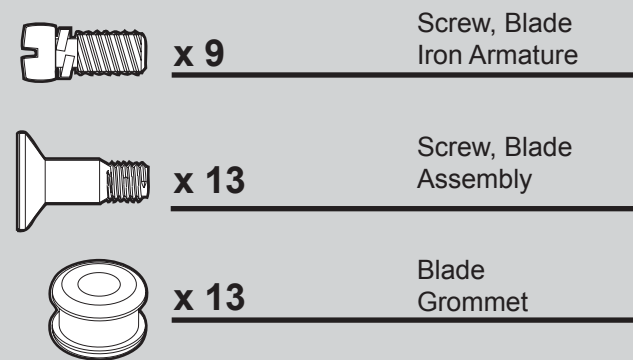
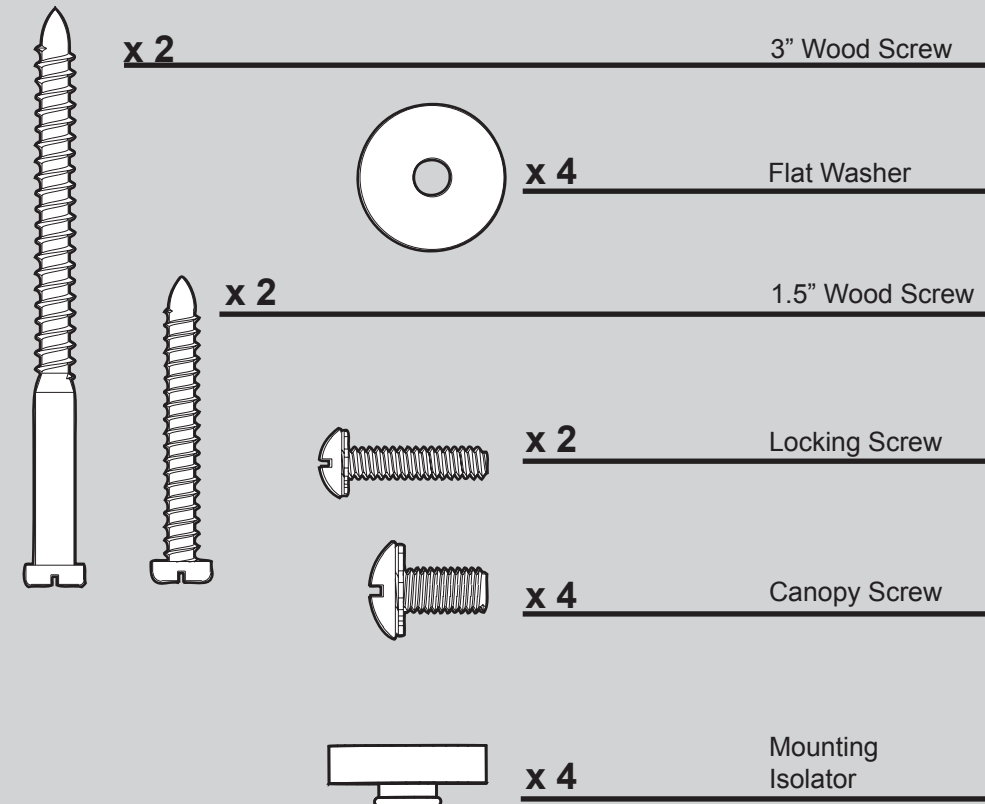


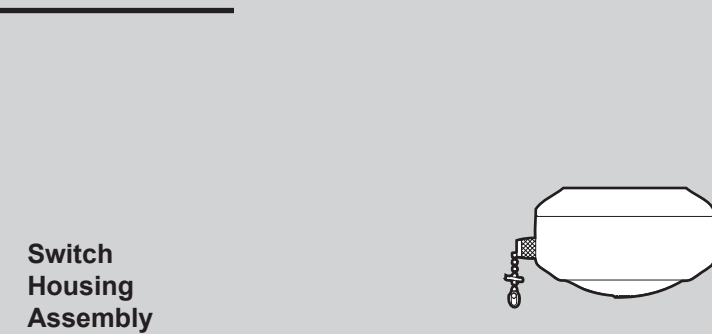
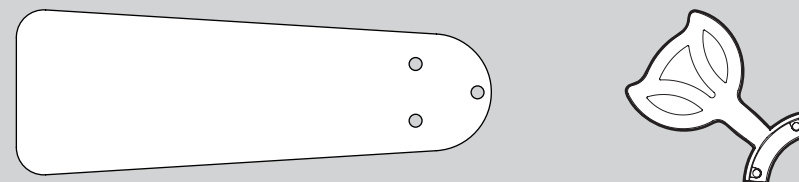
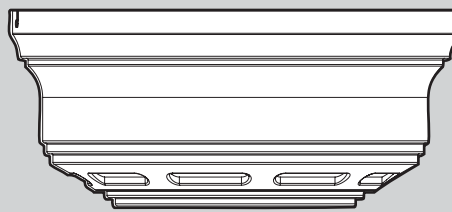
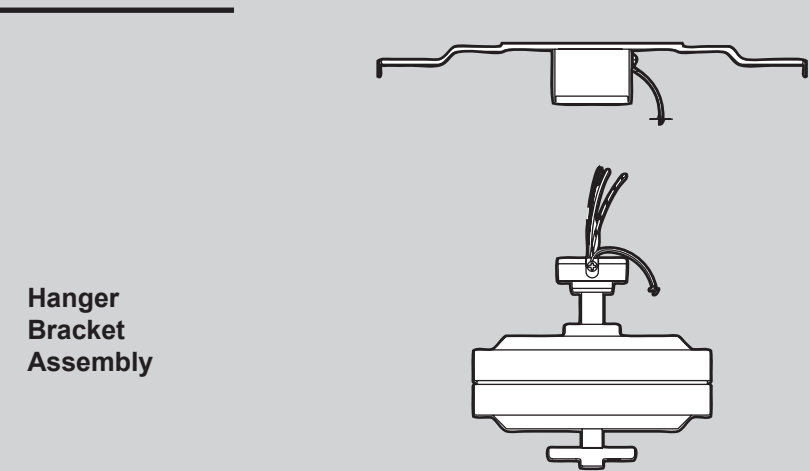
Hardware

(Drawn to Scale)

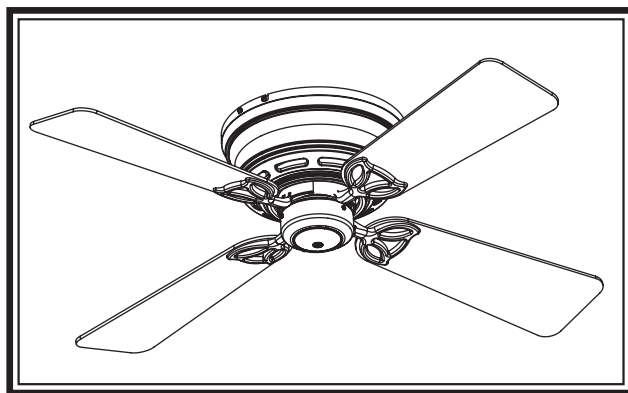


Fan Parts

(Not Drawn to Scale)



PARTS GUIDE



Hunter

Using this Parts Guide, make sure all parts are included in the box.

If parts are missing, **DO NOT RETURN**

THIS ITEM TO THE STORE, call 888-830-1326 for assistance.

THIS PARTS GUIDE IS FOR REFERENCE ONLY.

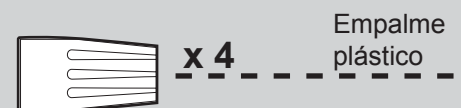
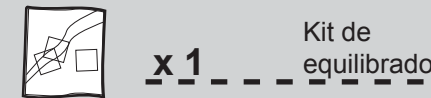
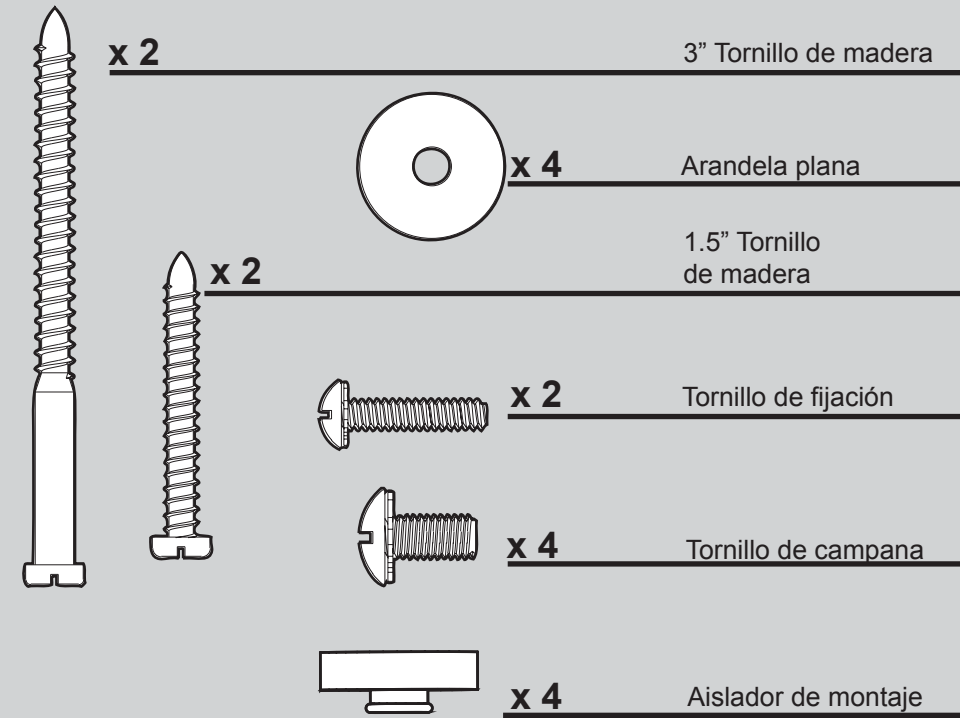
REFER TO THE INSTALLATION MANUAL FOR FULL ASSEMBLY INSTRUCTIONS.

Parts List

Item Name	Qty	Model #	23866	23860	23871
		Asm. Dwg. #	93877-01	93877-02	93877-05
		Finish	White	Antique Brass	Antique Pewter
		Part #	Part #	Part #	Part #
* Hanger Bracket Assembly	1	73862-01	73862-01	73862-01	73862-01
Mounting Isolator	4	67290-01	67290-01	67290-01	67290-01
Motor Cover	1	92524-01	92524-01	92524-01	92524-01
Screw, Low Profile	2	74508-39	74508-39	74508-39	74508-39
Wood Screw	2	06512-02	06512-02	06512-02	06512-02
Wood Screw	2	03144-03	03144-03	03144-03	03144-03
Flat Washer	4	06301-01	06301-01	06301-01	06301-01
Switch Housing Assembly	1	93529-03	93529-05	93529-14	93529-14
Blade Iron Set	1	92803-06	92803-06	92803-06	92803-06
Blade Set	1	75516-46	75516-48	75516-56	75516-56
Screw, Blade Iron Armature	9	63755-05	63755-05	63755-05	63755-05
Hardware Kit	1	93877-00-860	93877-00-861	93877-00-864	93877-00-864
Blade Assembly Screw					
Blade Grommet					
Screw, Machine, 6-32					
Wire Connector					
Screw, Switch Housing Assembly					
Balancing Kit	1	65666-01	65666-01	65666-01	65666-01

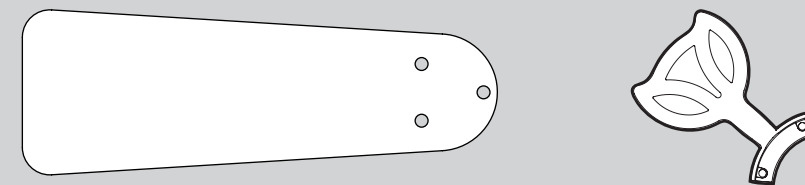
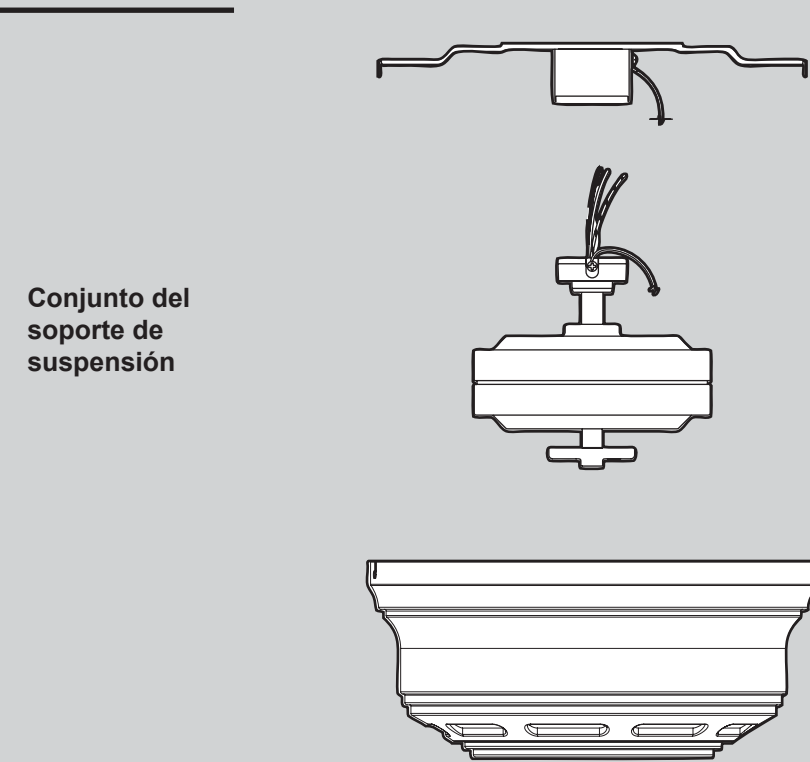
Materiales

(no dibujados a escala)



Piezas del ventilador

(no dibujadas a escala)

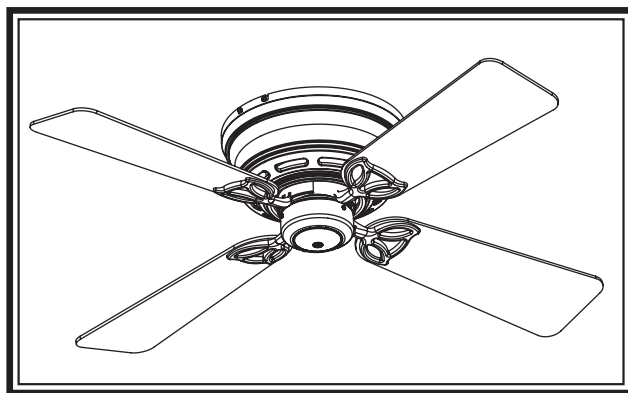


GUÍA DE PIEZAS

Hunter

ALTO

Consulte esta Guía de partes para asegurarse de que todas las partes estén incluidas en la caja.



Si falta alguna parte, **NO DEVUELVA ESTE PRODUCTO A LA TIENDA. Solicite ayuda al 888-830-1326. ESTA GUÍA DE PARTES SOLAMENTE ES REFERENCIAL. CONSULTE LAS INSTRUCCIONES COMPLETAS DE ENSAMBLAJE EN EL MANUAL DE INSTALACIÓN**

Lista de piezas	No. del modelo	23866	23860	23871
	No. del dibujo de ensamblaje	93877-01	93877-02	93877-05
Acabado	Blanco	Latón Antiguo	Peltre Antiguo	
Nombre del ítem	Cantidad	No. de la pieza	No. de la pieza	No. de la pieza
* Hanger Bracket Assembly	1	73862-01	73862-01	73862-01
Mounting Isolator	4	67290-01	67290-01	67290-01
Motor Cover	1	92524-01	92524-01	92524-01
Screw, Low Profile	2	74508-39	74508-39	74508-39
Wood Screw	2	06512-02	06512-02	06512-02
Wood Screw	2	03144-03	03144-03	03144-03
Flat Washer	4	06301-01	06301-01	06301-01
Switch Housing Assembly	1	93529-03	93529-05	93529-14
Blade Iron Set	1	92803-06	92803-06	92803-06
Blade Set	1	75516-46	75516-48	75516-56
Screw, Blade Iron Armature	9	63755-05	63755-05	63755-05
Hardware Kit	1	93877-00-860	93877-00-861	93877-00-864
Blade Assembly Screw				
Arandela de caucho, de paleta				
Screw, Machine, 6-32				
Wire Connector				
Screw, Switch Housing Assembly				
Balancing Kit	1	65666-01	65666-01	65666-01

Free Manuals Download Website

<http://myh66.com>

<http://usermanuals.us>

<http://www.somanuals.com>

<http://www.4manuals.cc>

<http://www.manual-lib.com>

<http://www.404manual.com>

<http://www.luxmanual.com>

<http://aubethermostatmanual.com>

Golf course search by state

<http://golfingnear.com>

Email search by domain

<http://emailbydomain.com>

Auto manuals search

<http://auto.somanuals.com>

TV manuals search

<http://tv.somanuals.com>