



Hunter Fan Company

Remote Ceiling Fan & Light Control

Model: 24750
 Transmitter Part Number: 87495-01
 Transmitter Battery: 12V, Type A23, MN-21 or equivalent
 Receiver Part Number: 87262-01
 Ratings: 240 VAC, 50Hz, 1.0 Amp Fan
 Receiver Weight: 160g
 Max 300 Watts Incandescent or Halogen Light

Read and Save these Instructions

⚠ WARNING! Risk of Electrical Shock

• To avoid possible electrical shock, before wiring fan, disconnect power by turning off the power mains both to the outlet box and to its associated wall switch location.

Compliance

• This equipment has been tested and complies with: EN 300220:2002 and EN 55022:1998 Class B.

• All wiring must be in accordance with national and local electrical codes. If you are unfamiliar with wiring, you should use a qualified serviceman.

• To avoid overheating and possible damage to other equipment, do not install to control a receptacle, fluorescent light fixture, motor-operated appliance, or transformer-supplied appliance.

• In Australia, national laws require a qualified electrician to install this accessory into a ceiling fan.

• Use only to control one paddle-blade ceiling fan and incandescent or halogen light fixture.

NOTE: Any changes or modifications to the transmitter or receiver not expressly approved by Hunter Fan Company may void one's authority to operate this remote control.

For use only with electrically reversible ceiling fans rated at 1.0 A or less, and fan incandescent light kits rated at 300 W or less.

If this equipment does cause harmful interference to radio or television reception, which can be determined by turning the equipment off and on, the user is encouraged to try to correct the interference by one or more of the following measures:

- Reorient or relocate the receiving antenna.
- Increase the separation between the equipment and receiver.
- Connect the equipment into an outlet on a circuit different from that to which the receiver is connected.
- Consult the dealer or an experienced radio/TV technician for help.

Installing the Receiver

Disconnect the power mains to the ceiling fan and light kit at the main electric panel. Remove fuse or move circuit breaker to the OFF position. Turn off wall switch.

IMPORTANT! Before installing this control, change the factory default DIP switch settings to your own unique code. The DIP switches are under the battery compartment on the remote and are on the flat side of the receiver. Refer to Figure 1. Remove the battery from the remote and turn off power to the fan when making any DIP switch setting changes.

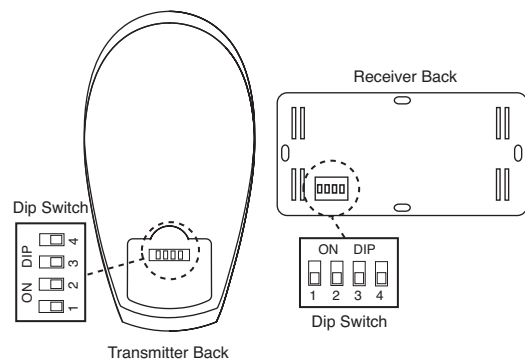


Figure 1 - Setting DIP Switches

Be sure the DIP switch settings of the transmitter and receiver match, or the ceiling fan will not function. Make sure the DIP switch combination of your ceiling fan transmitter and receiver is different from the DIP switch combinations of any other receivers and transmitters in your home (garage door openers, other ceiling fans, entertainment equipment, etc.).

Install one type A23, MN-21 or equivalent, 12 volt alkaline battery inside the hand-held transmitter after setting the DIP switch settings on the remote to match the ON / OFF DIP switch settings on the receiver. Refer to Figure 1.

Install the ceiling fan according to its instructions, up to the point of making the electrical connections.

Connecting Fan to Electrical Source

Use Figures 2 and 3, for reference in making the following electrical connections.

Connect the supply mains to the terminal block mounted on the hanger bracket.

Connect the safety earth (green/yellow) wire to the terminal marked ⊕.

Connect the blue neutral wire to the terminal marked "N."

Connect the brown line wire to the terminal marked "L."

Note: An additional "L" terminal is provided for separate control of the light fixture. This terminal is not required for controlling the light fixture with the remote control.

Feed the electrical connector from the fan through the hole in the hanger bracket so it is on the outside of the hanger bracket.

The remote receiver is connected between the electrical connector coming from the fan and the electrical connector coming from the hanger bracket terminal block. See Figure 2.

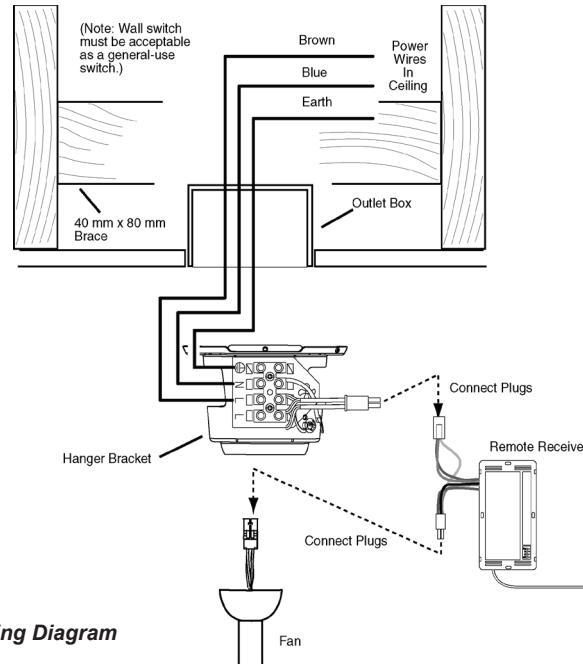


Figure 2 - Wiring Diagram

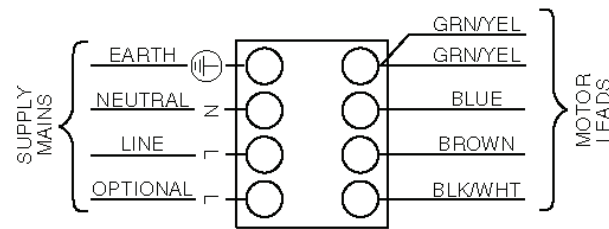


Figure 3 - Terminal Block Connections

Slide the remote receiver through the two rectangular openings in the hanger bracket and center it in the hanger bracket, as shown in Figure 4.

The male connector on the remote receiver attaches to the female connector on the fan. The female connector on the remote receiver attaches to the male connector on the hanger bracket. They are keyed so they will only connect one way. See Figure 2.

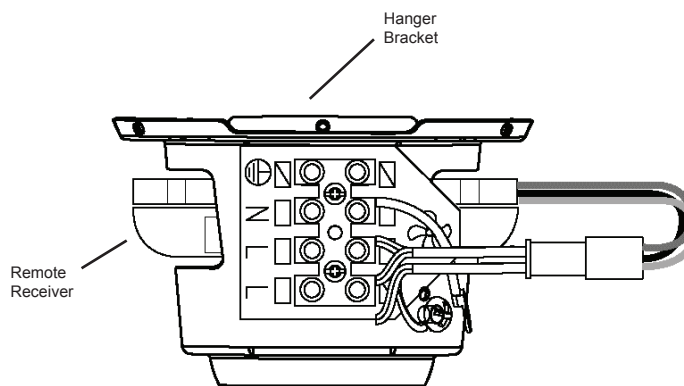


Figure 4 - Remote Receiver in Hanger Bracket

Do not force the connectors. To aid in proper connection, align the color code stickers on each connector so they are in line with each other then press them together until they lock.

CAUTION: Be sure no bare wire or wire strands are visible after making connections. Make sure none of the wires are caught in any of the hanging assembly components. The white antenna wire should be extended to its full length and positioned between the hanger bracket and the canopy parts upon final assembly.

Once the receiver is installed, continue with the appropriate instructions from the fan installation manual to finish installing the fan.

Testing the Control

Warning! - Do not use the light fixture pull chain to operate the light while power is applied to the receiver as damage could occur to the receiver. It is recommended to shorten the pull chain(s) to prevent accidental use.

• Do not use the fan pull chain switch to operate the fan speeds while power is applied to the receiver as damage could occur to the receiver.

When the installation is complete and while there is no power (your wall switch is in the OFF position) to the receiver, pull the light kit's pull chain once and pull the fan speed pull chain once.

Turn on the wall switch. The light kit should turn ON. If the light remains OFF, turn off the power at the wall switch. Pull the light kit's pull chain to turn the light ON.

Turn the wall switch back ON.

Press "3" on the remote control (refer to Figure 5). The fan should start and reach it's maximum speed. If the fan does not start or is turning too slow, turn off the power at the wall switch. Pull the fan's pull chain to change speed. Reapply power and try HIGH.

Operation

Turn ON the wall switch, the light will turn ON at maximum brightness and the fan will be off.

Fan Operation

• ON, OFF, and Speed Setting: To turn the ceiling fan on, press either "1", "2", or "3" on the remote control. To change the speed of the ceiling fan, press "1" for slow, "2" for medium, and "3" for fast. To turn the ceiling fan off, press "0".

Fan High = 3
 Fan Medium = 2
 Fan Low = 1
 Fan OFF = 0

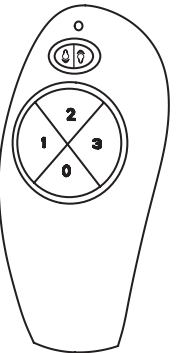


Figure 5

To reverse the fan direction, turn the fan off and wait for the blades to stop moving. Switch the reversing switch on the fan to the opposite direction. Restart fan.

Light Operation

• ON and OFF: Press and quickly release the light button on the hand-held remote to turn the light OFF and ON. See Figure 5 for remote button locations.

Dimmer

Press and hold the light button for more than one second to dim or brighten the light. If brightness is initially at 100%, then the brightness will decrease as long as the light button is pressed. When the minimum brightness of 25% is reached, the setting will pause and then begin to increase as long as the light button is pressed.

Troubleshooting

Symptom	Possible Causes	Solution
1. No functions operate.	Main Power not restored.	Replace fuse. Turn ON supply mains. Turn ON wall switch.
	Fan pull chain not set to HIGH.	Turn OFF power at wall switch or main supply mains. Set fan to HIGH speed.
	Light pull chain not set to ON.	Set light kit to ON.
	Receiver wiring incorrect.	Verify wiring connections.
	Transmitter and receiver DIP switches do not match.	Set transmitter and receiver to same DIP switch setting.
2. Operates only at close range.	Battery too weak.	Replace with new, alkaline battery.
	Signal blocked from reaching receiver	Extend antenna into wire into ceiling box, or move it for better reception.
3. Inconsistent operation.	Battery too weak.	Replace with new, alkaline battery.
	Signal partially blocked from reaching receiver.	Extend antenna into ceiling box, or move it for better reception.
	RF interference.	Turn OFF wall switch for 5 seconds, then turn back ON.
	Continuing RF interference.	Change dip switch settings to a different code in both Transmitter and Receiver.

Free Manuals Download Website

<http://myh66.com>

<http://usermanuals.us>

<http://www.somanuals.com>

<http://www.4manuals.cc>

<http://www.manual-lib.com>

<http://www.404manual.com>

<http://www.luxmanual.com>

<http://aubethermostatmanual.com>

Golf course search by state

<http://golfingnear.com>

Email search by domain

<http://emailbydomain.com>

Auto manuals search

<http://auto.somanuals.com>

TV manuals search

<http://tv.somanuals.com>