



INSTALLATION INSTRUCTIONS FOR HUNTER CEILING FAN LIGHT KIT MODELS 26100, 26101, 26118, 26224, 26225 AND 26228

READ AND SAVE THESE INSTRUCTIONS

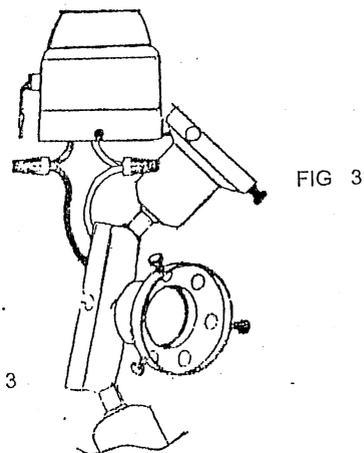
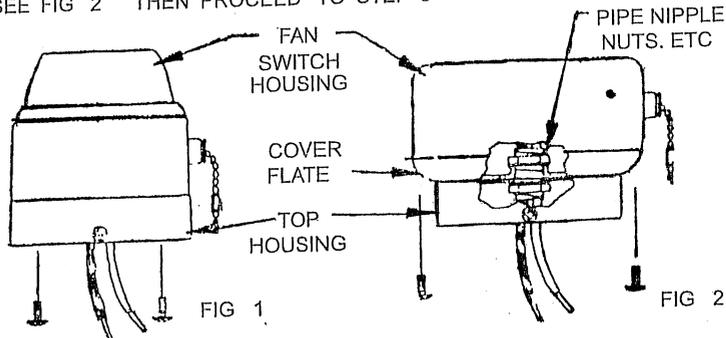
CAUTION:

1. TO REDUCE THE RISK OF FIRE AND ELECTRICAL SHOCK, INSTALL THIS LIGHT KIT ONLY ON LISTED HUNTER CEILING FANS TYPE A THRU Z
2. READ ENTIRE INSTRUCTIONS CAREFULLY BEFORE BEGINNING INSTALLATION
3. TO AVOID POSSIBLE ELECTRICAL SHOCK, BE CERTAIN ELECTRICITY IS TURNED OFF AT FUSE OR CIRCUIT BREAKER PANEL BEFORE WIRING.
4. ALL WIRING MUST BE IN ACCORDANCE WITH NATIONAL AND LOCAL ELECTRICAL CODES IF YOU ARE UNFAMILIAR WITH WIRING, YOU SHOULD USE A QUALIFIED ELECTRICIAN

CONNECT WIRES TO FAN

NOTE: • SEE FAN INSTALLATION INSTRUCTIONS FOR CONNECTING HOUSE WIRING TO THE FAN
• CONNECT HOUSE WIRING TO THE FAN BEFORE ATTACHING THE LIGHT KIT TO THE FAN
• SEE WIRING DIAGRAMS, ON REVERSE SIDE FOR LIGHT KIT USE WITH WALL SWITCHES.

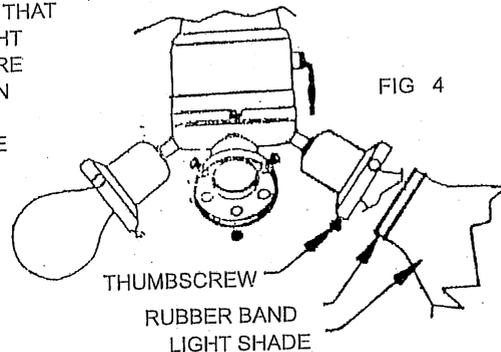
1. REMOVE TOP HOUSING FROM LIGHT KIT BY LOOSENING THREE SCREWS, AND TURNING COUNTERCLOCKWISE. REMOVE THE COVER PLATE FROM THE BOTTOM OF THE FAN SWITCH HOUSING. IF THE COVER PLATE HAS A HOLE IN THE CENTER, PROCEED TO STEP 2B. IF THE COVER PLATE DOES NOT HAVE A HOLE IN THE CENTER, DISCARD THE COVER AND PROCEED TO STEP 2A.
- 2A. LOCATE THE TWO WIRES IN THE FAN SWITCH HOUSING THAT HAVE LABELS MARKED "CONNECT LIGHT HERE" OR "FOR LIGHT USE". ONE WIRE WILL BE WHITE AND THE SECOND WILL BE BLACK WITH A WHITE TRACER. PLACE THESE WIRES INTO THE HOLE IN THE CENTER OF THE TOP HOUSING FOR THE LIGHT KIT. SLIDE THE TOP HOUSING OVER THE TWO WIRES AND ATTACH HOUSING TO BOTTOM OF THE FAN SWITCH HOUSING, USING THE SCREWS PROVIDED WITH THE FAN. SEE FIG. 1 THEN PROCEED TO STEP 3
- 2B. ASSEMBLE THE COVER PLATE TO THE TOP HOUSING FOR THE LIGHT KIT, USING THE PIPE NIPPLE, TWO NUTS AND TWO LOCKWASHERS PROVIDED. SEE FIG. 2. LOCATE THE TWO WIRES IN THE FAN SWITCH HOUSING THAT HAVE LABELS MARKED "CONNECT LIGHT HERE" OR "FOR LIGHT USE". ONE WIRE WILL BE WHITE AND THE SECOND WILL BE BLACK WITH A WHITE TRACER. SLIDE THESE WIRES THROUGH THE PIPE NIPPLE AND ATTACH THE COVER PLATE BACK ON THE FAN SWITCH HOUSING. SEE FIG. 2 THEN PROCEED TO STEP 3



3. HANG THE LIGHT KIT ON ONE OF THE SCREWS IN THE TOP HOUSING, USING A HOLE IN THE TOP OF THE LIGHT. SEE FIG. 3. CONNECT THE WHITE WIRE TO THE WHITE WIRE AND THE BLACK WIRE TO THE BLACK WIRE WITH WHITE TRACER COMING FROM THE FAN. SEE FIG. 3

COMPLETE THE INSTALLATION

4. UNHOOK THE LIGHT KIT. INSTALL IT ON THE TOP HOUSING SO THAT THE THREE SCREWS ARE IN THE MOUNTING SLOTS OF THE LIGHT KIT. ROTATE THE LIGHT KIT COUNTERCLOCKWISE UNTIL THE SCREWS ARE LOCATED IN THE END OF THE HOOK IN THE SLOT AS SHOWN IN FIG. 4. TIGHTEN THE THREE SCREWS. INSTALL LIGHT BULBS, USING THE GUIDE FOR SIZE AND TYPE THAT IS LOCATED INSIDE ONE OF THE LAMPS.
5. PLACE RUBBER BANDS (SUPPLIED) AROUND LIGHT SHADES AND INSTALL LIGHT SHADES. HAND TIGHTEN THUMBSCREWS. SEE FIG. 4. RESTORE POWER TO COMPLETE INSTALLATION. SHOULD A LIGHT SHADE BEGIN TO BUZZ BE CERTAIN ALL THUMBSCREWS ARE TIGHT



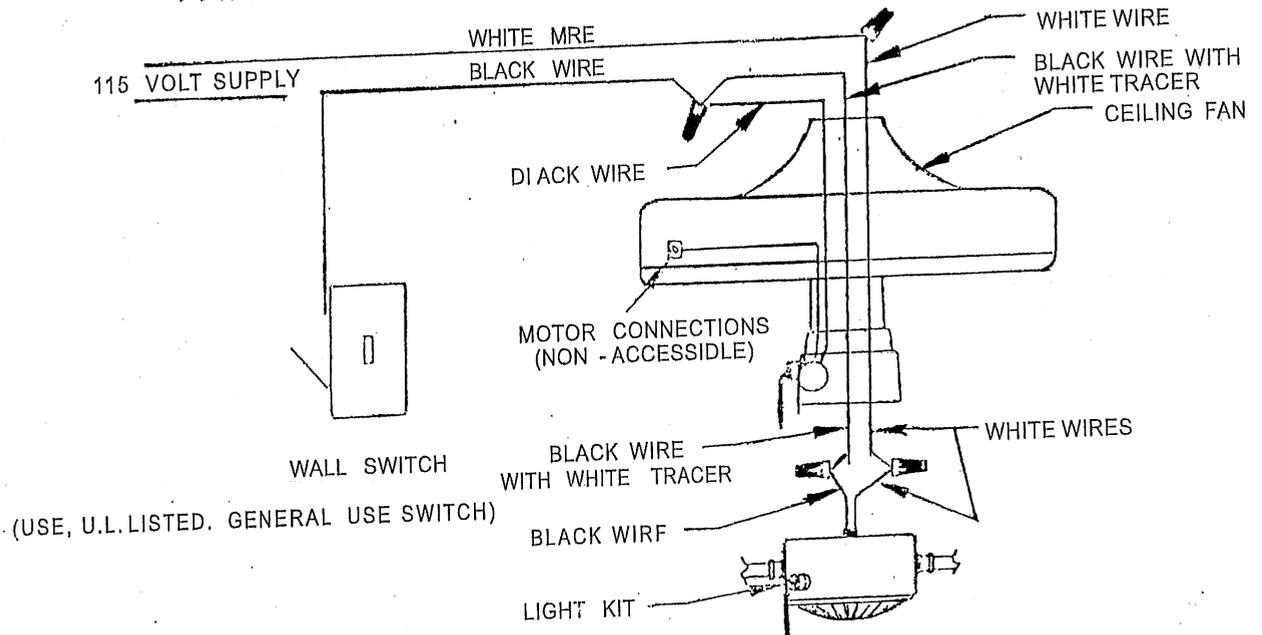
WIRING WITH WALL SWITCHES

FAN AND LIGHT KIT CAN BE CONNECTED THROUGH WALL SWITCHES THIS CAN BE DONE IN TWO WAYS

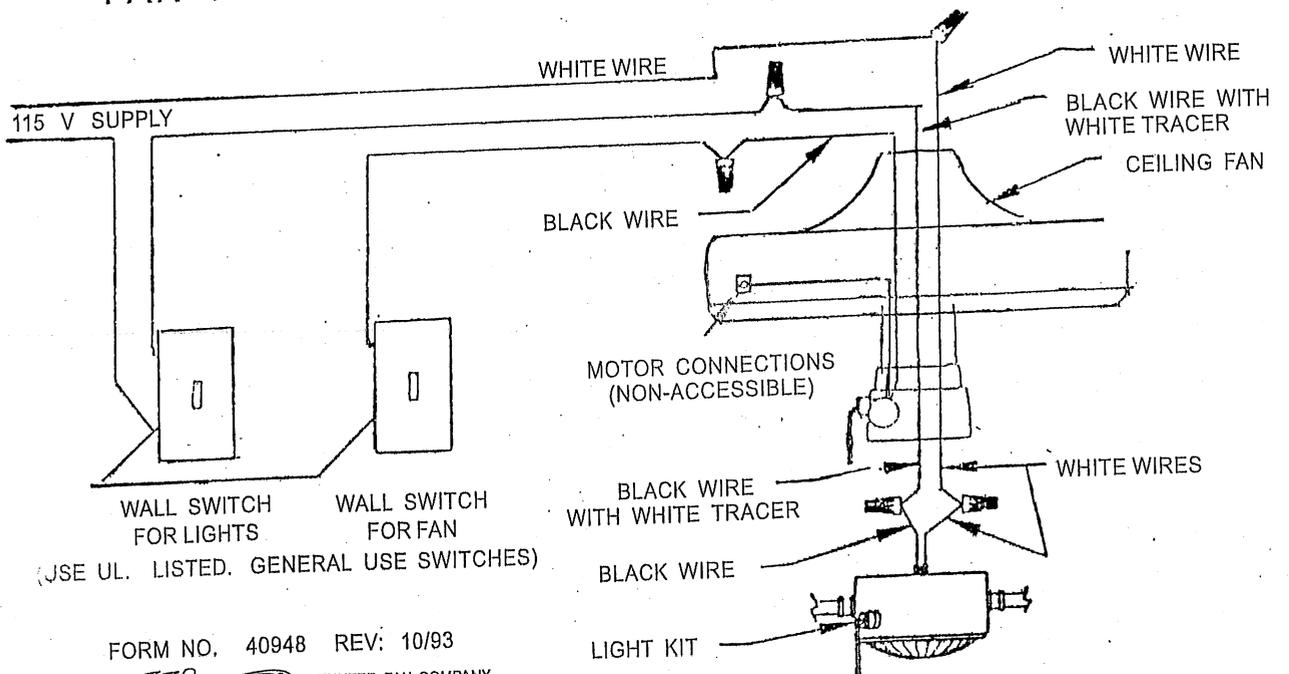
- 1 USING ONE WALL SWITCH TO CONTROL BOTH FAN AND LIGHT INDIVIDUAL CONTROL OF EITHER FAN OR LIGHT IS DONE WITH THE PULL CHAIN SWITCHES.
- 2 USING TWO WALL SWITCHES TO INDIVIDUALLY CONTROL BOTH FAN AND LIGHT - ONE FOR THE FAN AND THE SECOND FOR THE LIGHT PULL CHAIN SWITCHES ON THE FAN DO NOT HAVE TO BE USED.

SELECT THE TYPE OF CONTROL DESIRED AND MAKE THE UNIT PER ONE OF THE DIAGRAMS SHOWN BELOW

FAN AND LIGHT ON A SINGLE WALL SWITCH



FAN AND LIGHT ON SEPARATE WALL SWITCHES



FORM NO. 40948 REV: 10/93

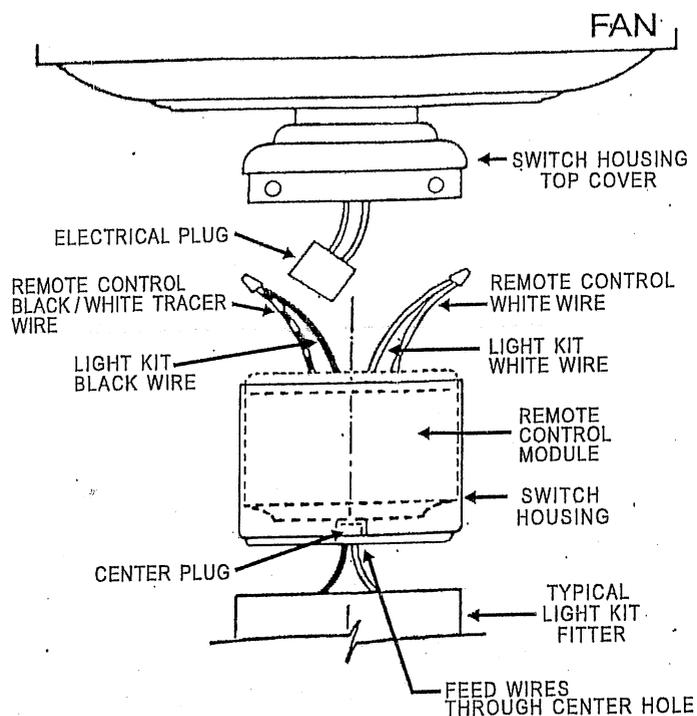
HUNTER
SINCE 1885

HUNTER FAN COMPANY
2500 FRISCO AVENUE
MEMPHIS, TN 38114

© 1988 HUNTER FAN COMPANY™



SUPPLEMENTARY INSTRUCTIONS FOR ATTACHING LIGHT KIT TO REMOTE CONTROL FAN



- Be sure power is turned off.
- Remove the switch housing from the fan by first removing the screw in the round hole in the switch housing top cover. Then loosen the remaining two screws so the switch housing can be twisted free of engagement with the switch housing top cover. Unplug the remote control module and remove the entire assembly from the fan.
- Remove the center plug from the bottom of the switch housing. Carefully feed the leads up through the center hole of the switch housing. Continue to feed the leads through the center hole of the circuit board in the remote control, being very careful not to damage the small components on the board. Bring the leads out the top of the remote control module.
- Attach the light kit to the switch housing according to the instructions supplied with the light kit.
- Connect the lead wires as shown in the illustration.
- Reinsert the electrical plug, then reinstall the switch housing / light kit assembly to the fan.
- Complete the installation by following the instructions supplied with the light kit.

FORMNO.41046 MAY 1991



HUNTER FAN COMPANY
2500 FRISCO AVENUE
MEMPHIS, TN 38114

© 1991, HUNTER FAN COMPANY

Free Manuals Download Website

<http://myh66.com>

<http://usermanuals.us>

<http://www.somanuals.com>

<http://www.4manuals.cc>

<http://www.manual-lib.com>

<http://www.404manual.com>

<http://www.luxmanual.com>

<http://aubethermostatmanual.com>

Golf course search by state

<http://golfingnear.com>

Email search by domain

<http://emailbydomain.com>

Auto manuals search

<http://auto.somanuals.com>

TV manuals search

<http://tv.somanuals.com>