



SINCE

1886

INSTALLATION INSTRUCTIONS FOR HUNTER

CEILING FAN LIGHT KITS MODELS:

28330, 28331, 28332, 28333, 28334, 28335, 28336, 28337, 28338, 28339, 28340, 28341, 28342
28343, 28344, 28345, 28405, 28406, 28407, 28408, 28982, 28983, 28984, 28985, 28986, 28987

CAUTIONS

Read entire text carefully before beginning installation and save these instructions.

To reduce the risk of electrical shock, install this light kit only on Hunter ceiling fan models with removable switch housings.

WARNING

- To avoid possible electrical shock, before installing light fixtures, disconnect power by turning off the circuit breakers both to the outlet box and to its associated wall switch location. If you cannot lock the circuit breakers in the off position, securely fasten a prominent warning device, such as a tag, to the service panel.

Connect house wiring to the fan before attaching the light fixture to the fan.

All wiring must be in accordance with national and local electrical codes and ANSI/NFPA 70. If you are unfamiliar with wiring, you should use a qualified electrician.

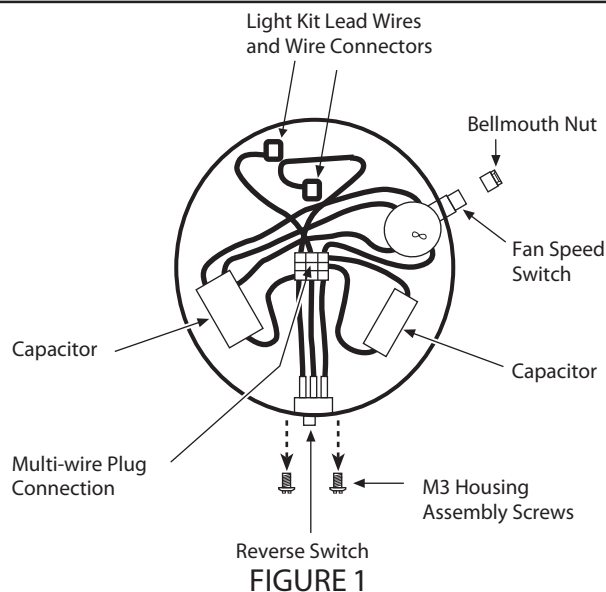


FIGURE 1

4. Locate and carefully remove the two capacitors from the switch housing.
5. You have now disconnected the wiring harness and its components from the switch housing and are ready to install them into the modular accessory light kit.

STEP 1: REMOVING WIRING HARNESS

Before you can install the modular accessory light kit, you must remove the wiring harness and its components from the modular switch housing on the fans listed above. You must then install the wiring harness into the modular accessory light kit.

NOTE: Refer to Figure 1 for the steps listed below.

1. Locate the reversing switch and carefully remove the two screws holding the reversing switch to the switch housing. The reversing switch can now be removed from the switch housing.
2. Remove the patented breakaway connector from the fan pull chain.
3. Carefully loosen the bellmouth nut from the fan pull chain and remove the fan pull chain switch from the switch housing.

STEP 2: INSTALLING WIRING HARNESS

NOTE: Refer to Figure 1 for steps listed below.

1. Locate the two wires in the lower switch housing labeled "Connect Light Here" or "For Light Use". One will be white, the other black with a white stripe. Unscrew the wire connectors counterclockwise to expose the bare metal leads.

2. Locate the white wire and the black wire coming from the light fixture.

Connect the black wire from the light fixture to the black wire with a white stripe from the lower switch housing.

Connect the white wire from the light fixture to the white wire from the lower switch housing.

To fasten the wires, twist the two bare leads together. Place a wire connector over the intertwined length of wire and twist clockwise until tight.

41490-01 03/12/2009

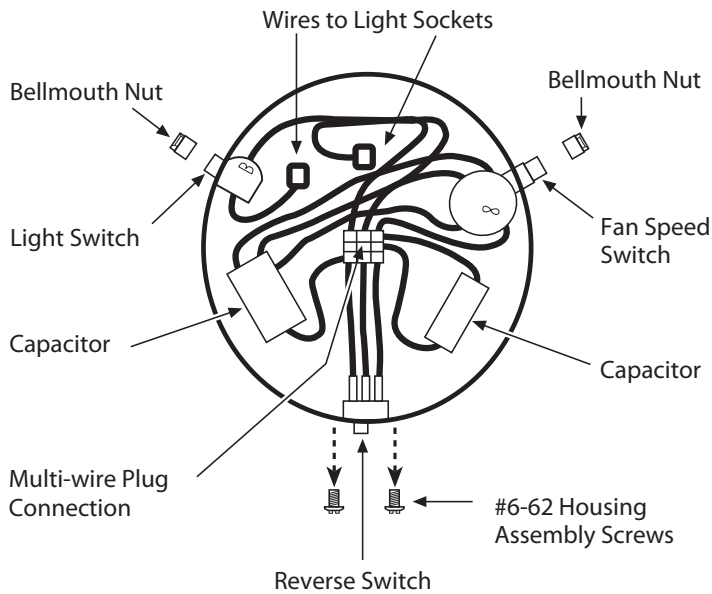


FIGURE 2

CAUTION

Be sure no bare wire or wire strands are visible after making connections.

3. Insert the chain and fan pull chain switch through the round opening on the side of the modular accessory light kit. Thread the bellmouth nut over the pull chain and hand-tighten the bellmouth nut.
4. Reattach the patented breakaway connector to the end of the pull chain.
5. Insert the reversing switch into the square hole on the side of the modular accessory light kit. Install and tighten the two screws you removed in Step 1, substep 1.
6. Carefully place the capacitors in the modular accessory light kit.

You have completed the assembly of the modular accessory light kit and are ready for installing the modular accessory light kit to the fan.

STEP 3: INSTALLING THE ACCESSORY LIGHT KIT

NOTE: Refer to Figure 3 for the steps listed below.

1. Connect the lower (multi-wire) plug connector from the modular accessory light kit to the upper plug connector from the motor.

NOTE: Both plug connectors are polarized and will only fit together one way. Make sure that both connectors are properly aligned before connecting them together. Incorrect connection could cause improper operation and damage to the product.

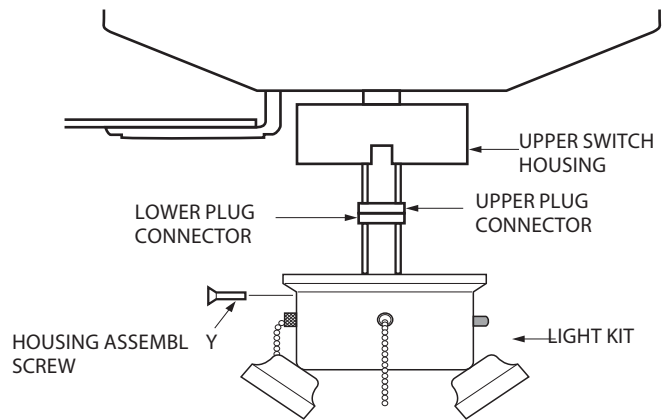


FIGURE 3

2. Place the modular accessory light kit over the upper switch housing. Align the side screw holes in the upper switch housing and the modular accessory light kit. Attach the modular accessory light kit to the upper switch housing with the three #6-32 X 3/8" housing assembly screws.

STEP 4: INSTALLING THE BULBS AND GLOBES

NOTE: Refer to Figure 4 for the steps listed below.

1. Insert a globe into the cup.
2. Tighten the thumbscrews manually. Do Not over-tighten.
3. Repeat substeps 1 and 2 for the remaining three globes.
4. Install a 13W CFL bulb into each socket.

You have completed the installation of the modular accessory light kit. Refer back to the "Operating and cleaning your ceiling Your Hunter Fan" section in the Owner's Manual provided with your Hunter fan for proper operation instructions.

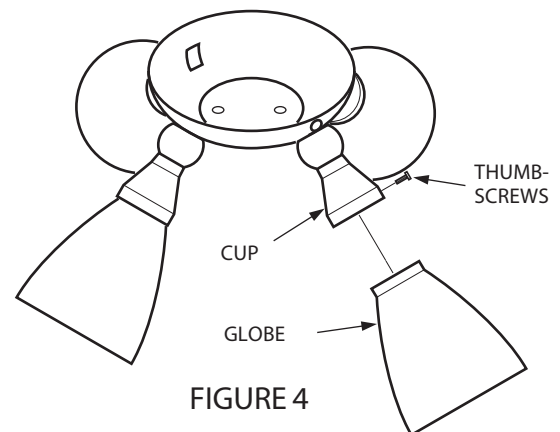


FIGURE 4



Hunter Fan Company
7130 Goodlett Farms Pkwy.
Memphis, TN 38016
USA

© 2009 Hunter Fan Co.

41490-01 03/12/2009

Free Manuals Download Website

<http://myh66.com>

<http://usermanuals.us>

<http://www.somanuals.com>

<http://www.4manuals.cc>

<http://www.manual-lib.com>

<http://www.404manual.com>

<http://www.luxmanual.com>

<http://aubethermostatmanual.com>

Golf course search by state

<http://golfingnear.com>

Email search by domain

<http://emailbydomain.com>

Auto manuals search

<http://auto.somanuals.com>

TV manuals search

<http://tv.somanuals.com>