

41128

INSTALLATION INSTRUCTIONS FOR HUNTER CEILING FANS USING INSTALLER'S CHOICE MOUNTINGS READ AND SAVE THESE INSTRUCTIONS

CAUTION

1. Read entire instruction before beginning installation.
2. To avoid possible electrical shock, be certain electricity is shut off at main panel before wiring.
3. All wiring must be in accordance with national and local electrical codes. If you are unfamiliar with wiring, you should use a qualified electrician

WARNING.

1. To reduce the risk of fire or electrical shock, do not use a solid state speed control with this fan. Use Hunter Controls only.
2. To reduce the risk of personal injury, do not bend the blade brackets when installing the brackets or cleaning the fan. Do not insert foreign objects in between the rotating fan blades.

Step 1: Pre-installation Instructions

A. Select installation site. Check to see that in normal use no object can come in contact with the rotating fan blades. The mounting site should also meet the precautions listed in step 3 below.

B. Installation hardware is included for a standard drywall or plaster ceiling. You will need a 4" x 1-1/2" or a 4" x 1/2" outlet box and wire nuts (2) which can be purchased from any hardware store or electrical supply house.

C. The fan blades must be mounted at least 7' above the floor. For maximum efficiency, they should not have any obstruction (walls, posts, etc.) within 24" of the blade tips. See Figure 1 for mounting distances.

Step 2: Inspection of Fan

A. Unpack the fan carefully to avoid any damage to the components.

B. Check for any shipping damage to the motor and the fan blades. If more than one fan is being installed, keep the matched and balanced blades in sets, as they were shipped. Should one of the blades become damaged during shipment, return all blades in the set for replacement.

C. Check contents to be certain it contains a bag of parts.

Step 3: Installation of Outlet Box and Rough-In Wiring.

CAUTION: Your Hunter Ceiling fan with accessories can weigh up to 35 lbs. The following precautions must be taken for safety and to ensure that your fan is securely mounted to the ceiling. Be certain electricity is "off" at the fuse panel when inspecting or repairing installation site. All wiring must meet local and national electrical codes. Do not mount directly to an unsupported ceiling or to an electrical outlet box. Mounting must support a 35 lb. fan with accessories.

A. Secure metallic outlet box 4" X 1-1/2" or 4" x 1/2" deep to 2 X 4 cross brace between two ceiling joists as shown in Figure 2. The outlet box must be recessed into the ceiling by 1/16" minimum. Secure the outlet box to the cross brace by drilling (2) pilot holes no larger than the minor diameter of the wood screws (5/64") and use two #8 x 1-1/2" wood screws and washers. Use the innermost holes for securing the box. Orient the box so the outermost holes will be used in step 4B.

Caution: Do not use lubricant on screws.

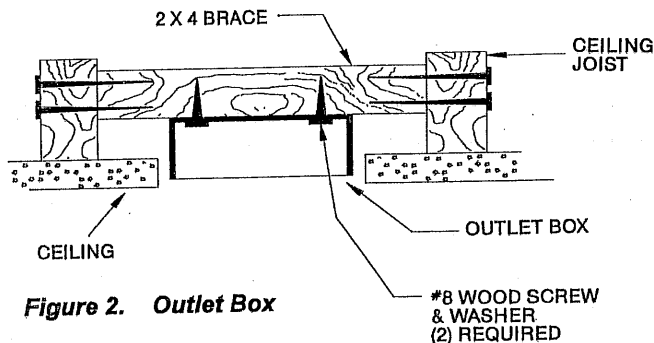


Figure 2. Outlet Box

B. Bring electrical cable into the outlet box and attach with an approved connector. Make certain that wiring meets all national and local electrical codes. Wire leads should extend at least 6" beyond outlet box for ease in making connections.

See Figure 3.

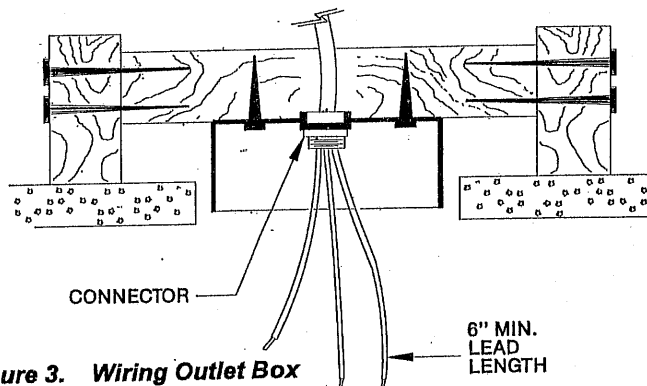


Figure 3. Wiring Outlet Box

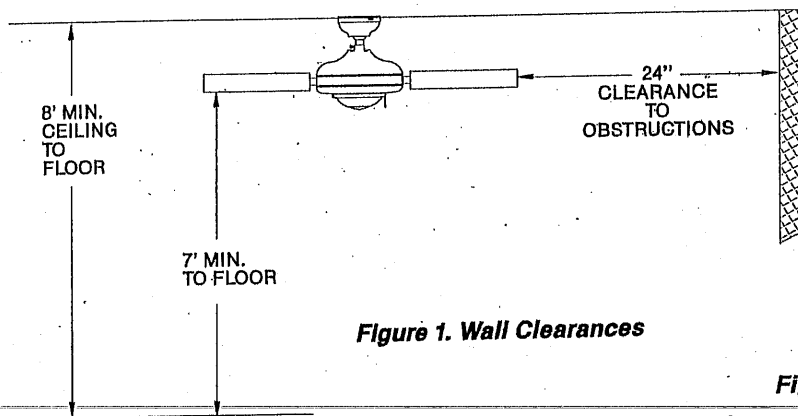


Figure 1. Wall Clearances

Step 4: Installation of Ceiling Plate

A. Install the (3) rubber bushings into the top of the ceiling plate by inserting small side of rubber bushing into the three round holes in the ceiling plate. See Figure 4.

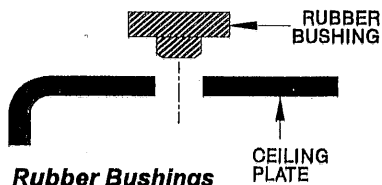


Figure 4. Rubber Bushings

B. Thread the lead wires through the opening in the ceiling plate and install the ceiling plate to the 2X4 brace which supports the outlet box. Use (2) #10 wood screws 3" long and (2) flat washers for mounting. Drill (2) pilot holes for mounting screws 9/64" diameter. See Figure 4A.

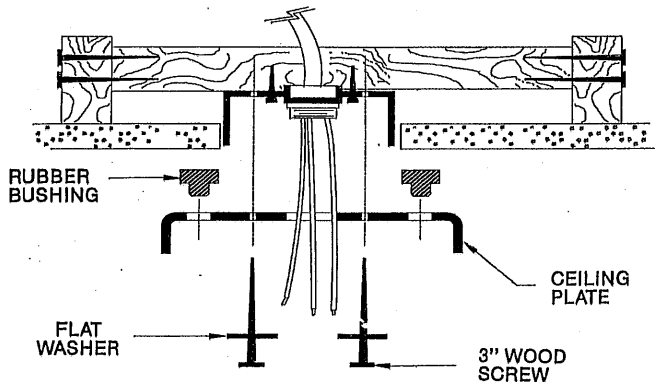


Figure 4A. Installing Ceiling Plate

NOTE: When attaching ceiling plate to the outlet box support, make certain bushings remain in place.

NOTE: Tighten the ceiling plate mounting screws only enough to provide slight compression of the bushings. Do not over-tighten.

Step 4A: Assemble Top Housing

Caution: Do Not Lift Motor By Wires.

A. Assemble the housing to the hanger adapter using (3) #8-32 screws. See figures 4B and 4C. First align the (3) raised tabs on the hanger adapter with the (3) narrow notches in the top housing. Make certain the housing sits flat on top of the adapter. Tighten the screws securely.

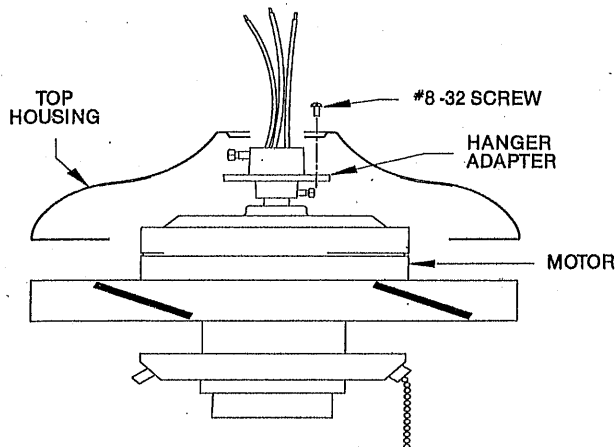
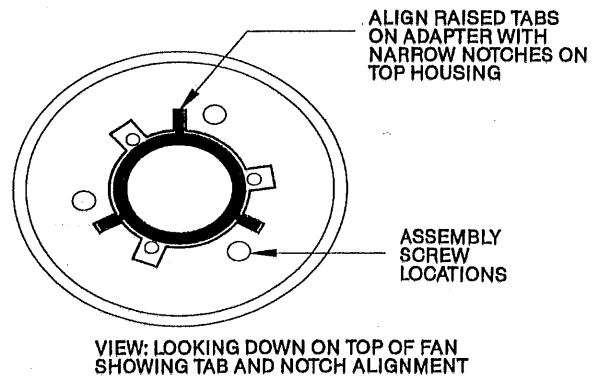


Figure 4B. Assembling Top Housing

Figure 4C. Assembling Top Housing



NOTE: Assembly Methods For Installer's Choice Hanging System

Your New Hunter Fan can be hung in (2) different manners, one being as a low profile fan and also as a ball type hanging fan. Thus, Installer's Choice. Customers should read steps 5 through 7 and decide which style of mounting to use.

Step 5: Fan Assembly, Low Profile Version

A. Place the canopy on top of the fan so the hole in the bottom of the canopy fits over the adaptor on the top of the fan. See Figure 5. Place the canopy assembly washer inside the canopy with the vertical flange of the washer resting on the inside of the canopy.

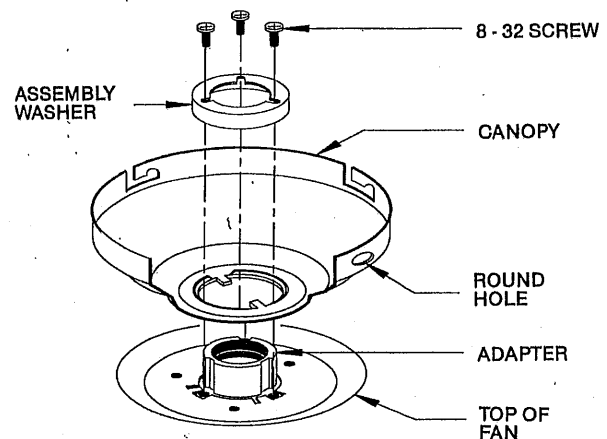


Figure 5. Low Profile Version

B. Position the (3) slots in the canopy assembly washer over the (3) threaded holes in the adapter. See Figure 5.

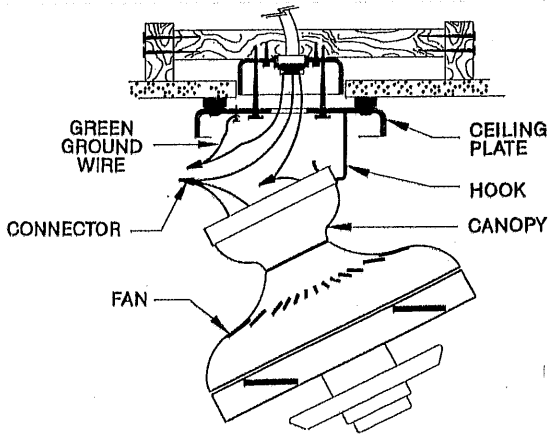
C. Secure the canopy to the top of the fan using the (3) #8-32 X 3/4" long screws with lock washers. Make certain all screws are tight. Failure to do so could result in the fan falling. See Figure 5.

Caution: To ensure proper engagement of the canopy assembly screws, the canopy must fit snug against the top of the fan.

Caution: Do not lift motor by wires.

D. Being careful not to scratch the canopy finish, hang the fan from the hook in the ceiling plate using the round hole in the top of the canopy. See Figure 5 and 5A.

Figure 5A. Hanging The Fan



NOTE: When mounting the fan on a vaulted ceiling make sure that one set of elongated slots in the ceiling plate are aligned vertically with the ceiling joist, or horizontally with the cross brace if a cross brace is used. Be sure one of the threaded screw holes in the side of the ceiling plate is facing down. See Figure 5D.

Ball Hanging Version

Caution: Do not lift motor by wires.

A. Insert pipe nipple through canopy and feed wires from top of motor through pipe nipple. Screw pipe nipple into fan until tight (at least 4 1/2 turns). The setscrew locking the pipe nipple to motor must be tightened very securely. See Figure 5B. Failure to tighten screw could result in fan failing.

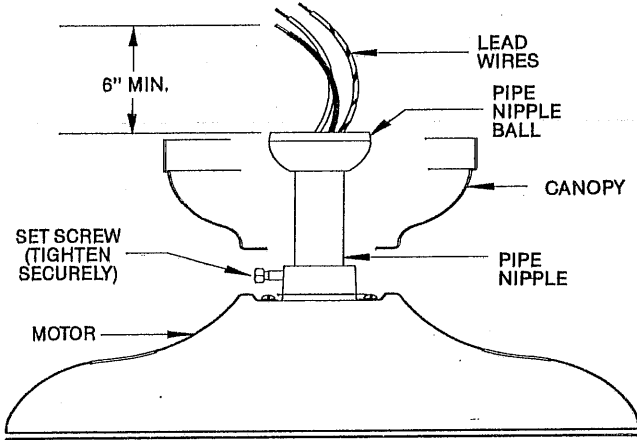


Figure 5B

B. Before hanging the fan from the ceiling plate align and engage the (2) tabs in the bottom of the canopy with the (2) grooves in the hanger ball. See Figure 5C.

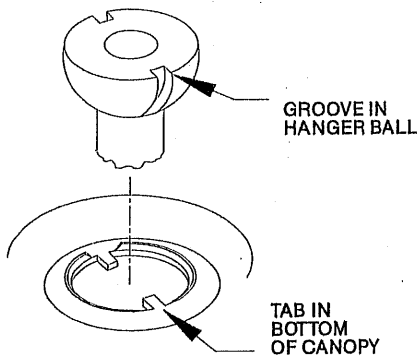


Figure 5C. Aligning Tab & Groove

Using the round hole in the top of the canopy, hang the fan from the hook in the ceiling plate. Make sure both tabs in the canopy remain engaged with the grooves in the ball. Be careful and don't scratch the finish while hanging the fan. See figure 5A.

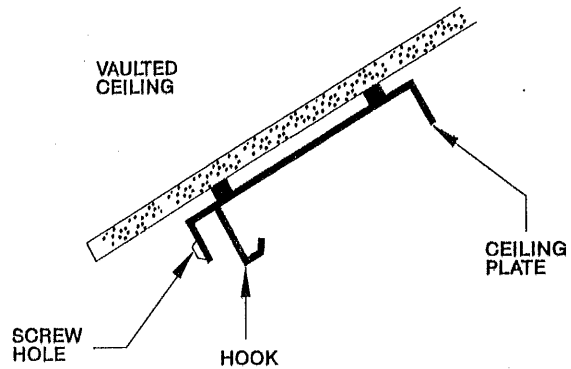


Figure 5D. Vaulted Ceiling

When attaching the canopy to the ceiling plate make sure the two tabs in the center hole of the canopy align vertically so that the tabs properly engage the two grooves in the hanger ball. When properly installed, the round screw clearance hole in the canopy should be facing down.

Step 6: Final Wiring

A. Connect electrical supply leads from the motor, using approved connectors. Connect the black electrical supply lead to the black motor lead and the black with white stripe motor lead (see Note). Connect the white electrical supply lead to the white motor lead. Connect the ground wire to the green leads from the motor and ceiling plate. See Figure 5A.

NOTE: If a separate wall switch will be used to control a lighting accessory, connect the black wire with white stripe to the wall switch lead. The wall switch must be acceptable for use as a general use switch.

CAUTION: No bare wire or wire strands should be visible after making connections.

B. After making the wire connections, the wires should be spread apart with the white and green wires on one side of the outlet box, and the black and black/white wires on the other side of the box.

C. The splices should be turned upward and pushed carefully into the outlet box.

Step 7: Finish Hanging Fan

A. The ceiling plate has (3) mounting screw holes located on the side. Install (2) #10-32 X 1/2" Phillips round head screws halfway into two of these holes. See Figure 6.

B. Remove the fan from the ceiling plate hook. Make sure not to break any of the wire connections. The canopy has (2) mating slots and (1) mating hole. See Figure 6.



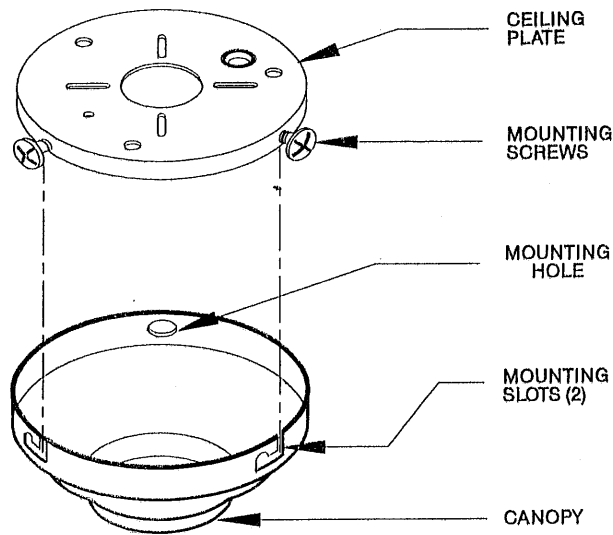


Figure 6. Mounting Fan to Ceiling Plate

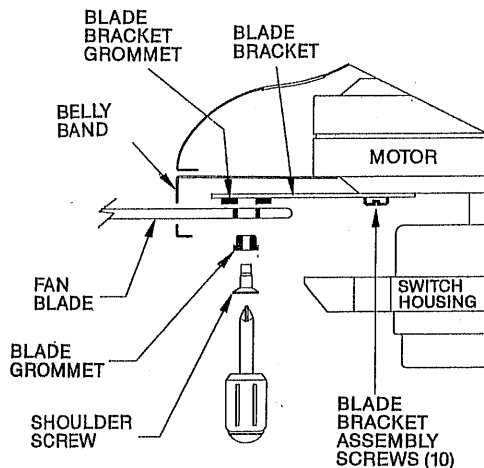
C. Position (2) slots in the canopy directly under and in line with (2) mounting screws in the ceiling plate. Lift fan until ceiling plate mounting screws are seated in bottom slots of canopy. Rotate fan counter clockwise until both mounting screws drop into slot recesses. Tighten screws securely. Install third screw into mounting hole.

Note: For the ball hanging fan configuration make sure the (2) grooves in the ball are engaged with the (2) tabs in the canopy. Failure to do so could result in the fan falling. See figure 5C.

STEP 8: Fan Blade Assembly, Installation, and Balancing

A. Slide wood blade through slot in belly band and line up the (2) holes in the blade with the rubber grommets in the blade bracket. Insert rubber grommets into the (2) holes in the blade and assemble the blade to the blade bracket using the shoulder screws provide in sack parts. When properly assembled, the end of the blade grommets will fit inside the bracket grommet. snug the shoulder screws to prevent vibration and wobble when the fan is operating. See Figure 7.

Figure 7. Installing Fan Blades



NOTE: When the screws are tight the blades may feel loose. This is normal when using grommets and will not be a problem.

B. Repeat the step shown above until all the blades are securely attached.

C. A blade balancing kit has been provided with your fan. Should the fan wobble in operation, you may use the kit to correct the balance per the instructions supplied with the kit.

Note: After installing all the blades, check the (10) blade bracket assembly screws which attach the brackets to the motor. Make certain they are tight. You can reach the screws by inserting a screwdriver into the opening in the bottom of the switch housing. Rotate the blades to access all (10) screws. See figure 7.

Failure to tighten these screws will result in noise and wobble when the fan is operating.

STEP 9: Complete Fan Assembly

A. Assemble the bottom cover by aligning the small rectangular hole in the cover with the fan reversing switch and the round hole in the cover with the pull chain switch. Holding the cover at an angle, you must first place the rectangular hole in the reversing switch and swing the cover up so the round hole is below the pull chain switch. Insert the chain into the round hole and swing the cover up into its final position. See figure 8.

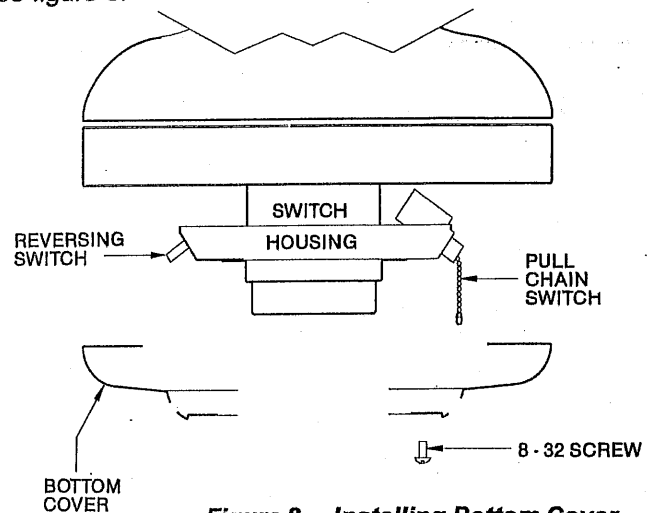


Figure 8. Installing Bottom Cover

Complete the cover assembly by attaching it to the switch housing with (3) #8-32 screws. See figure 8.

Note: Check the position of the reversing switch knob. If it's in the center of the hole slide it to the right for down draft or to the left for up draft. If the switch knob is left in the center of the hole the fan will not operate when turned on.

B. Assemble the switch housing cover as shown in figure 8A using (2) #8-32 screws. Make sure you use the two square clearance holes in the bottom of the cover. These holes will line up with the (2) threaded holes closest to the large round hole in the bottom center of the switch housing.

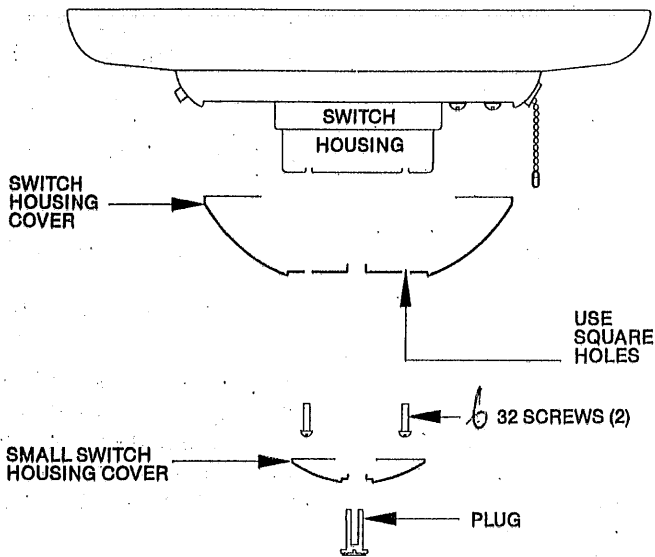


Figure 8A. Installing Small Switch Housing Cover

NOTE: Make sure you do not trap any electrical wires between the two parts. All wiring must be tucked up inside the switch housing.

C. Complete the fan assembly by attaching the small round cover to the bottom of the switch housing cover. See figure 8A. First insert the plastic plug into the hole in the small cover and insert the end of the plug into the center hole in the switch housing cover. Push plug and small cover in place. It will be a snug fit against the large cover.

NOTE: If a light kit is installed do not use the small cover and plastic plug. If a light kit is installed after the cover is assembled, then the cover and plug may be removed by inserting a straight bladed screwdriver into the bottom of the plug and unscrewing the plug.

TROUBLESHOOTING GUIDE

Problem	Probable Cause	Solution
1. Nothing Happens fan does not move.*	<ol style="list-style-type: none"> 1. Power turned off or fuse blown 2. Loose wire connections or wrong connections 3. Motor reversing switch not engaged 4. Pull chain switch not "ON". 	<ol style="list-style-type: none"> 1. Turn power on or replace fuse. 2. loosen canopy, check all connections (turn power off while checking). 3. Push switch firmly to one side or the other. 4. Pull switch chain
2. Noisy operation.	<ol style="list-style-type: none"> 1. Blade brackets loosely screwed to motor. 2. Blade screwed loosely to blade bracket. 3. Blade cracked. 4. Non-Approved speed control being used. 	<ol style="list-style-type: none"> 1. Tighten screws until snug. 2. Tighten screws. 3. Replace all blades. 4. Change to approved speed control.
3. Excessive wobbling	<ol style="list-style-type: none"> 1. Blade brackets not attached at proper locations. 2. Unbalanced blades. 3. Fan too close to vaulted ceiling. 4. Loose blades or blade brackets. 5. fan not secure on hanger assembly. 	<ol style="list-style-type: none"> 1. Carefully review step 8. 2. Use balancing kit (See Step 8C) 3. Lower or move fan. 4. Tighten all screws. 5. Turn power off, support fan very carefully, loosen canopy and hang correctly.

When switching from medium to low speed, you may notice some fan wobble. When fan stabilizes at low speed, wobble will disappear. If you have checked the above problems and still have trouble, call (901) 745-9222.

Free Manuals Download Website

<http://myh66.com>

<http://usermanuals.us>

<http://www.somanuals.com>

<http://www.4manuals.cc>

<http://www.manual-lib.com>

<http://www.404manual.com>

<http://www.luxmanual.com>

<http://aubethermostatmanual.com>

Golf course search by state

<http://golfingnear.com>

Email search by domain

<http://emailbydomain.com>

Auto manuals search

<http://auto.somanuals.com>

TV manuals search

<http://tv.somanuals.com>