

# INSTALLATION INSTRUCTIONS FOR HUNTER CEILING FAN LIGHT KIT FLUSH MOUNT STYLE

## READ AND SAVE THESE INSTRUCTIONS

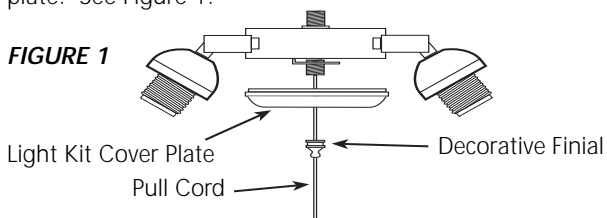
### CAUTION:

1. Read entire instructions carefully before beginning installation.
2. To avoid possible shock, be certain electricity is shut OFF at main panel before wiring.
3. All wiring must be in accordance with national and local electrical code.
4. Professional installation recommended.

### Pre Installation Preparation

Unscrew the decorative finial on the light kit by turning it counter clockwise. Slide it off over the pull cord, removing the keeper on the end of the cord only if necessary. Remove the light kit cover plate. See Figure 1.

FIGURE 1



Remove the cover plate from the fan switch housing.

**Note:** Do not discard the switch housing cover plate. You will need to replace it if you remove the light fixture in the future.

### Wire the Light Kit

**CAUTION:** This appliance must be earthed.

Locate the two wires in the fan switch housing that have connectors attached. Pull the plugs out of both connectors. Connect the black and white wire to the brown wire of the light kit. Connect the blue wire to the blue wire of the light kit. Be sure to connect the green and yellow ground wire to the screw marked  $\perp$  located at the base of the switch housing. See Figure 2.

### Complete the Assembly

Attach the light kit to the fan switch housing using the screws provided, leaving screws slightly loose temporarily. Make sure all wires fit flush inside the switch housing. See Figures 3 and 4.

Rotate the light kit counter clockwise as seen from below, until it stops, so the screws are lined up in the narrow notches in the mounting holes. See Figure 3. Tighten the screws securely.

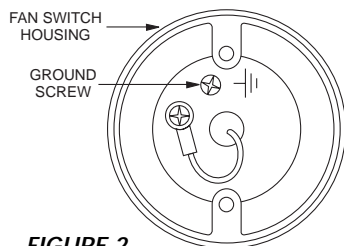


FIGURE 2

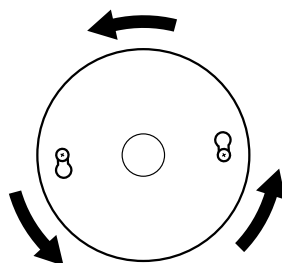


FIGURE 3

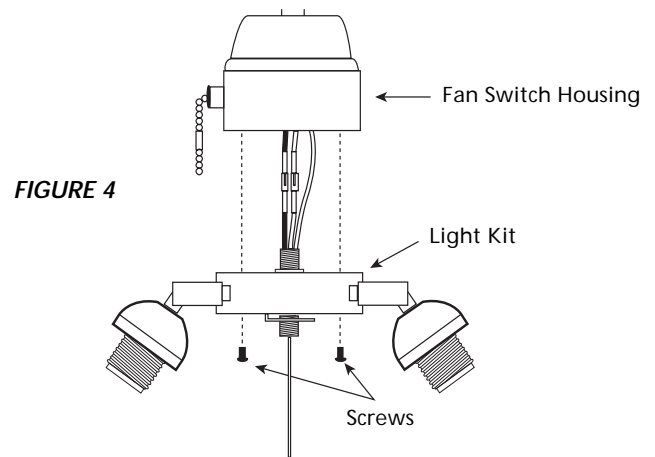


FIGURE 4

Feed the pull cord back through the light kit cover and the decorative finial. Center the light kit cover on the threaded nipple, making sure no wires are caught or in the way. Thread the decorative finial onto the threaded nipple and hand tighten. Re-install the cord keeper if it was removed previously.

### Installing Globes and Bulbs

Place globe over threaded lampholder in cup. Install and hand tighten threaded locking ring on lampholder as shown in figures 5 and 6.

Install bulbs. Use E-27 bulb, no smaller than A-19 (60mm diameter). Turn power ON at main panel.

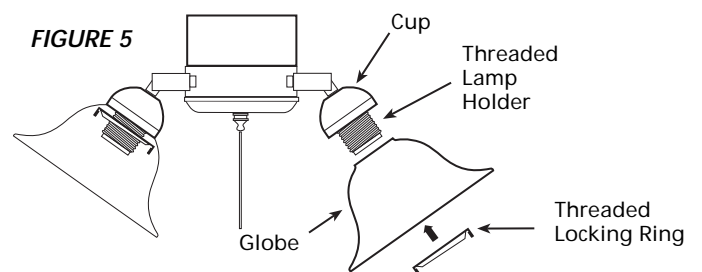


FIGURE 5

**Note:** As shown in Figure 6, line up the beginning of the first thread on the lamp holder and notch on the locking ring to avoid cross threading the ring. If ring becomes hard to turn, rotate ring counter clockwise to loosen and reposition. Do not force the ring on.

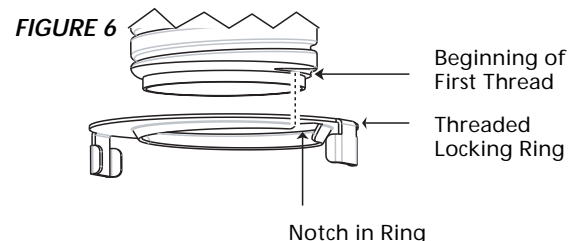


FIGURE 6

## Free Manuals Download Website

<http://myh66.com>

<http://usermanuals.us>

<http://www.somanuals.com>

<http://www.4manuals.cc>

<http://www.manual-lib.com>

<http://www.404manual.com>

<http://www.luxmanual.com>

<http://aubethermostatmanual.com>

Golf course search by state

<http://golfingnear.com>

Email search by domain

<http://emailbydomain.com>

Auto manuals search

<http://auto.somanuals.com>

TV manuals search

<http://tv.somanuals.com>