

Hunter Plug-In™ Bowl Style Light Fixture Installation Instructions



41764-01 04/04/2005

⚠ CAUTIONS

- Read entire installation instructions carefully before beginning installation and save these instructions.
- To reduce the risk of electrical shock, install this light fixture only on Hunter™ fan type 8, 9, 10 or 11. Note: The fan type can be found on the ceiling fan package or on the name plate label located on top of the motor housing of the ceiling fan.

⚠ WARNINGS

- To avoid possible electrical shock, before installing light fixtures disconnect power by turning off the circuit breakers both to the outlet box and to its associated wall switch location. If you cannot lock the circuit breakers in the off position, securely fasten a prominent warning device, such as a tag, to the service panel.
- Connect house wiring to the fan before attaching the light fixture to the fan.
- All wiring must be in accordance with national and local electrical codes. If you are unfamiliar with wiring, you should use a qualified electrician. Professional installation is recommended.

Troubleshooting

Light fixture will not plug into switch housing.

1. Contact Hunter Fan Company Technical Support at 1-888-830-1326 or return light fixture to store purchased at. **WARNING:** Do not bend prongs on the light fixture or attempt to force the light fixture plug into the switch housing.

Light does not come on.

1. Pull light pull chain one or two times to see if light comes on.
2. Make sure bulbs are installed properly and filament is not blown.
3. Make sure breakers or fuses are on.
4. Verify that the light power lead is connected at the ceiling. Refer to your ceiling fan manual for locating assembly and wiring.

Glass rattles.

1. Securely tighten the finial.

For other problems or questions, contact the Hunter Fan Company Technical Support at
1-888-830-1326 or
techsupport@hunterfan.com.

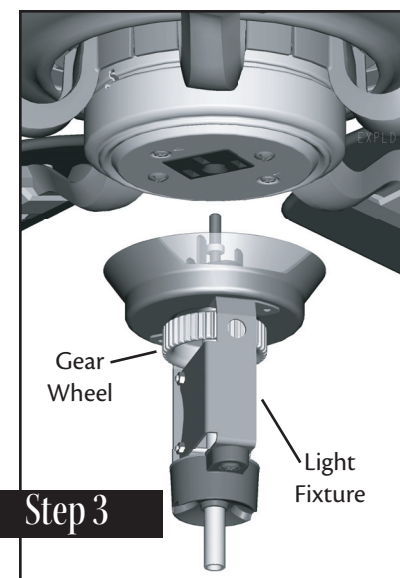
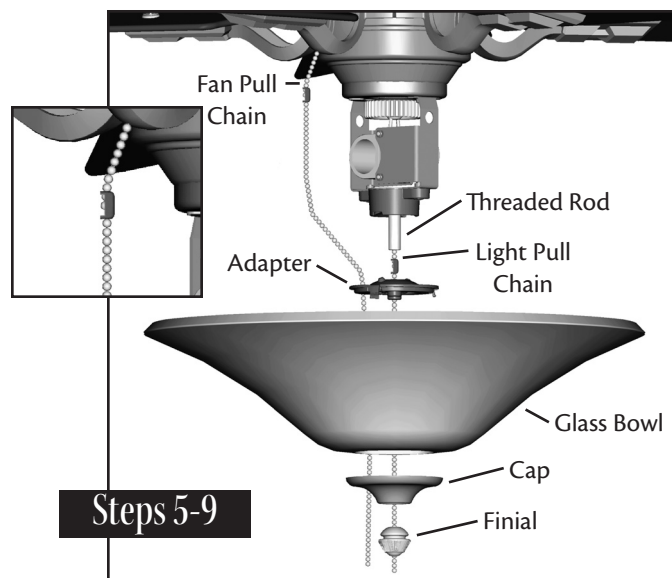
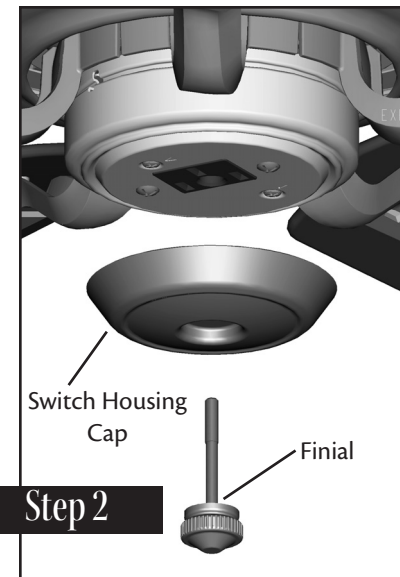
<http://www.hunterfan.com>

HUNTER

1. Disconnect power to the ceiling fan by turning off the circuit breakers both to the outlet box and to its associated wall switch location.
2. Unscrew the finial to remove the finial and switch housing cap.

Note: Save the finial and switch housing cap should you choose to remove the light fixture in the future.
3. Plug-in the light fixture and turn the gear wheel to the right (clockwise) to secure the light fixture. **WARNING:** Improper installation could cause the light fixture to fall.
4. Install 2 - 60 W Max A-15 bulbs.
5. Attach the 8" extension chain to the fan pull chain. Attach the 4" extension chain to the light pull chain.
6. Snap the adapter into the hole in the glass bowl.
7. Thread the light pull chain through the center hole in the adapter, cap and finial. Thread the fan pull chain through the side hole in the adapter and cap.
8. Place the glass bowl and cap over the threaded rod.
9. Screw the finial onto the end of threaded rod to secure the glass bowl.

Note: If the glass bowl is crooked, you can loosen the finial and adjust the glass bowl until it is level. Once level, securely tighten the finial.
10. Restore power to the ceiling fan.



Hunter Fan Company
2500 Frisco Avenue
Memphis, Tennessee 38114



This Light Fixture weighs 3.0 lbs.

© 2005 Hunter Fan Company

Printed in China & Taiwan

Free Manuals Download Website

<http://myh66.com>

<http://usermanuals.us>

<http://www.somanuals.com>

<http://www.4manuals.cc>

<http://www.manual-lib.com>

<http://www.404manual.com>

<http://www.luxmanual.com>

<http://aubethermostatmanual.com>

Golf course search by state

<http://golfingnear.com>

Email search by domain

<http://emailbydomain.com>

Auto manuals search

<http://auto.somanuals.com>

TV manuals search

<http://tv.somanuals.com>