



installation and
operation manual
for Hunter
Ceiling Fans

42027-01 • 12/09/05

Welcome

For Your Records and Warranty Assistance

Model Name: _____

Catalog/Model No.: _____

Serial No.: _____

Date Purchased: _____

Where Purchased: _____

For reference also attach your receipt or a copy of your receipt to the manual.

2

Table of Contents

1 • Getting Ready	4
2 • Installing the Hanger Bracket	5
3 • Assembling and Hanging the Fan	6
4 • Wiring the Fan	8
5 • Installing the Canopy and Canopy Trim Ring	9
6 • Assembling the Blades	10
7 • Completing Your Installation With or Without a Light Fixture	11
8 • Operating and Cleaning Your Ceiling Fan	15
9 • Troubleshooting	16

© 2005 Hunter Fan Company

Your new Hunter® ceiling fan is an addition to your home or office that will provide comfort and performance for many years. This installation and operation manual gives you complete instructions for installing and operating your fan.

We are proud of our work. We appreciate the opportunity to supply you with the best ceiling fan available anywhere in the world.

Before installing your fan, for your records and warranty assistance, record information from the carton and Hunter nameplate label (located on the top of the fan motor housing).

Cautions and Warnings

- Read this entire manual carefully before beginning installation. Save these instructions.
- Use only Hunter replacement parts.
- To reduce the risk of personal injury, attach the fan directly to the support structure of the building according to these instructions, and use only the hardware supplied.
- To avoid possible electrical shock, before installing your fan, disconnect the power by turning off the circuit breakers to the outlet box and associated wall switch location. If you cannot lock the circuit breakers in the off position, securely fasten a prominent warning device, such as a tag, to the service panel.
- All wiring must be in accordance with national and local electrical codes and ANSI/NFPA 70. If you are unfamiliar with wiring, use a qualified electrician.
- To reduce the risk of personal injury, do not bend the blade attachment system when installing, balancing, or cleaning the fan. Never insert foreign objects between rotating fan blades.
- To reduce the risk of fire, electrical shock, or motor damage, do not use a solid-state speed control with this fan. Use only Hunter speed controls.

Installer's Choice and Optional Accessories

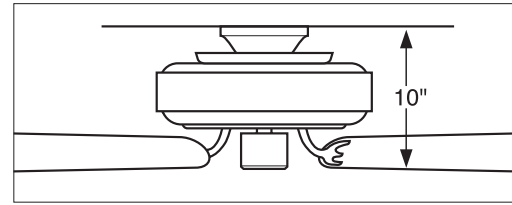
Understanding Mounting and Installer's Choice®

Hunter's patented 3-position mounting system provides you maximum installation flexibility and ease. You can install your Hunter fan in one of three ways, depending on ceiling height and your preference: Low Profile, Standard, or Angle mounting. The steps in this manual include instructions for all three Installer's Choice mounting methods.

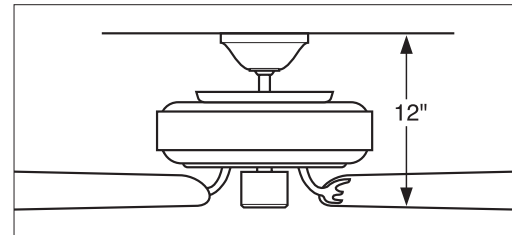
Considering Optional Accessories

Consider using Hunter's optional accessories, including a wall-mounted or remote speed control. To install and use the accessories, follow the instructions included with each product. For quiet and optimum performance of your Hunter fan, use only Hunter speed controls.

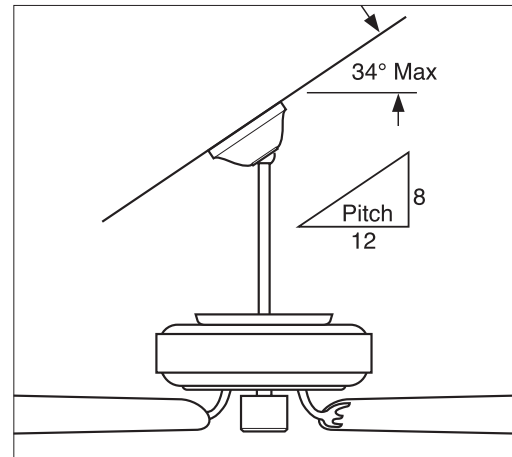
For ceilings higher than 8 feet, you can purchase Hunter extension downrods. All Hunter fans use sturdy 3/4" diameter pipe to assure stability and wobble-free performance.



Low Profile Mounting fits close to the ceiling, recommended for ceilings less than 8 feet high



Standard Mounting hangs from the ceiling by a downrod (included), recommended for ceilings 8 feet or higher



Angle Mounting recommended for a vaulted or angled ceiling

1 • Getting Ready

To install a ceiling fan, be sure you can do the following:

- Locate the ceiling joist or other suitable support in ceiling.
- Drill holes for and install wood screws.
- Identify and connect electrical wires.
- Lift 40 pounds.

If you need help installing the fan, your Hunter fan dealer can direct you to a licensed installer or electrician.

Gathering the Tools

You will need the following tools for installing the fan:

- Electric drill with 9/64" bit
- Standard screwdriver
- Phillips-head screwdriver
- Wrench or pliers

Checking Your Fan Parts

Carefully unpack your fan to avoid damage to the fan parts. Check for any shipping damage to the motor or fan blades. If one of the fan blades was damaged in shipment, return all the blades for replacement.

If any parts are missing or damaged, contact your Hunter dealer or call Hunter Parts Department at 888-830-1326.

Preparing the Fan Site

Before you begin installing the fan, follow all the instructions in the pullout sheet called "Preparing the Fan Site." Proper ceiling fan location and attachment to the building structure are essential for safety, reliable operation, maximum efficiency, and energy savings.

4

Installing Multiple Fans?

If you are installing more than one fan, keep the fan blades in sets, as they were shipped.

2 • Installing the Hanger Bracket

2-1. Drill two pilot holes into the wood support structure through the outermost holes in the outlet box. The pilot holes should be $\frac{9}{64}$ " in diameter.

Note: Your fan comes with four pre-installed neoprene noise isolators.

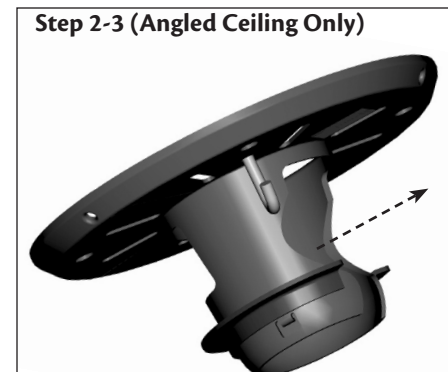
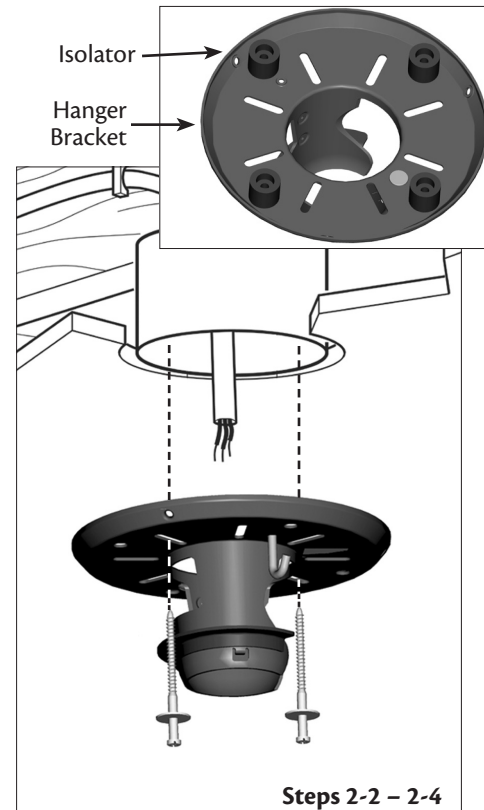
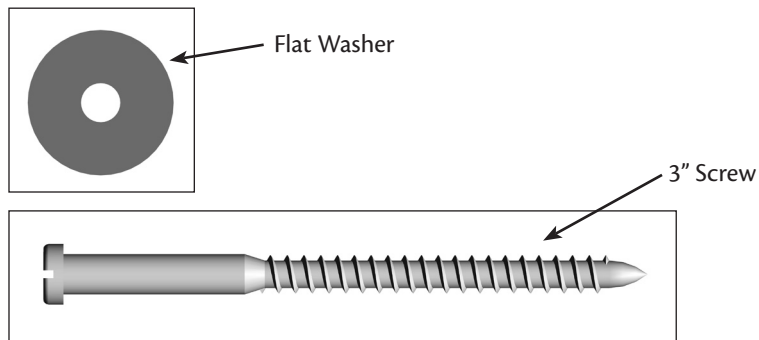
2-2. Thread the lead wires from the outlet box down through the hole in the middle of the hanger bracket.

2-3. Align the slotted holes in the hanger bracket with the pilot holes you drilled in the wood support structure. For proper alignment use slotted holes directly across from each other. If you are installing the fan on an **angled** ceiling, be sure to orient the hanger bracket with the large opening towards the ceiling peak.

Note: The isolators should be flush against the ceiling.

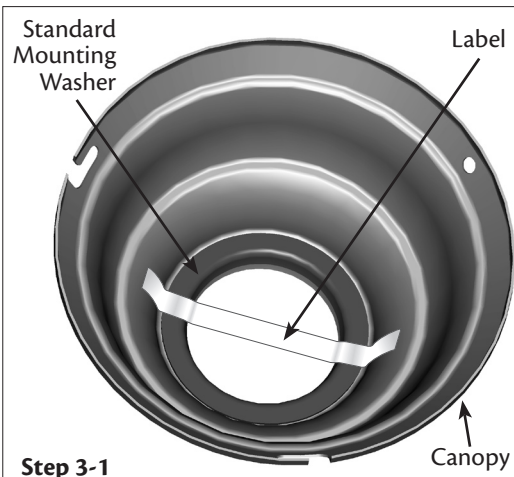
2-4. Place a flat washer on each of the two 3" screws and pass the screws through the slotted holes in the hanger bracket into the pilot holes you drilled.

Tighten the screws into the $\frac{9}{64}$ " pilot holes; do not use lubricants on the screws. Do not over tighten.



For Angled Ceilings: Be sure to orient the hanger bracket with the large opening towards the ceiling peak.

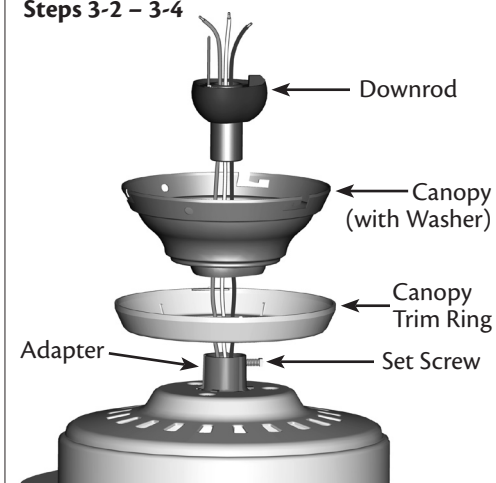
3 • Assembling and Hanging the Fan



Do not remove the protective wrap from the silhouette on the motor housing. You will remove it after the last step on page 13.

6

Steps 3-2 – 3-4



You can assemble your fan for **standard** or **angle** mounting as shown in steps 3-1 – 3-6. For **low profile** mounting (ceilings less than 8 feet high), go to steps 3-7 – 3-11 on the next page.

- 3-1. Remove the label from the standard mounting washer inside the canopy. Leave the washer in place. (**Note:** You will not use the washer included in the parts sack.)
- 3-2. To assemble fan to hang down from a flat or angled ceiling, place the canopy with washer, and canopy trim ring around the adapter so that they rest on the fan assembly.
- 3-3. Feed the wires from the fan through the downrod.
- 3-4. Using the provided allen wrench, loosen the allen head set screw on the adapter to install the pipe and ball assembly. **Note:** When the pipe and ball assembly is fully installed, 2-3 threads on the pipe will still be visible; this is normal. Securely retighten the set screw with the allen wrench.

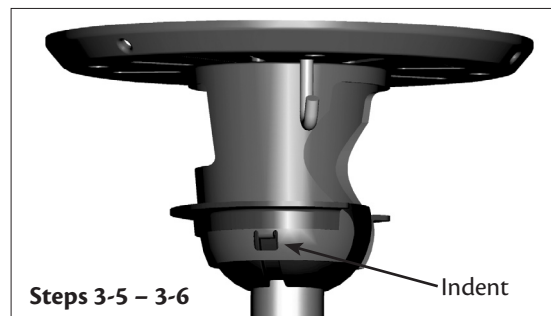
▲ CAUTION: The adapter has a special coating on the threads. Do not remove this coating; the coating prevents the downrod from unscrewing. Once assembled, do not remove the downrod.

▲ WARNING: Do not carry or lift fan by canopy.

- 3-5. Raise the fan and place the ball into the hanger bracket.
- 3-6. Align the notch on the ball with the indent in the hanger bracket. (Rotate the fan until you hear the notch pop into place.)

Go to **4 • Wiring the Fan.**

▲ WARNING: Fan may fall if not assembled as directed in these installation instructions.

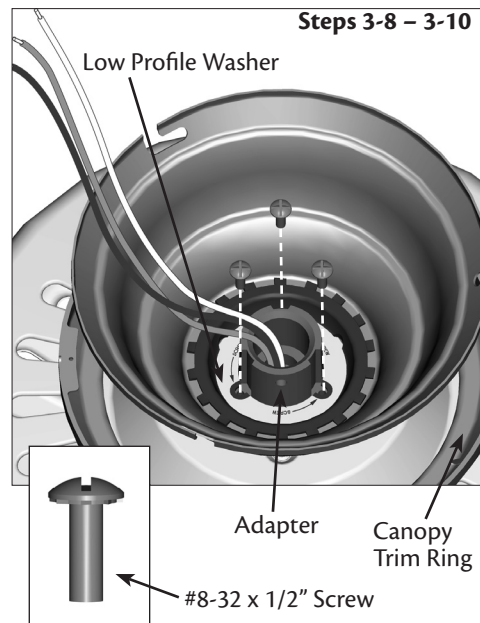


3 • Assembling and Hanging the Fan (Low Profile Only)

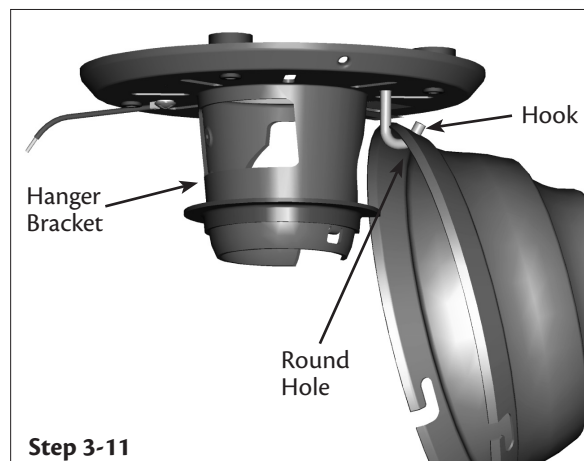
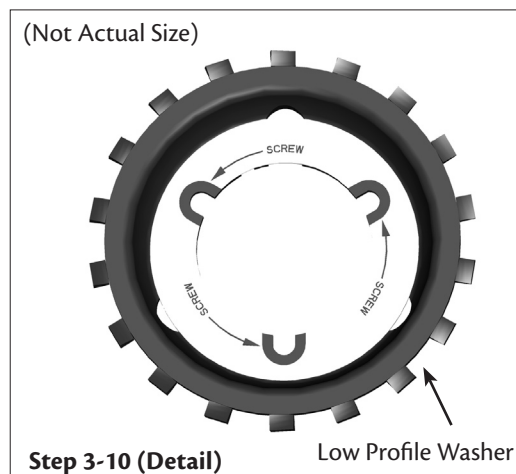
You can assemble your fan for **standard** or **angle** mounting as shown in steps 3-1 – 3-6 on the previous page. For **low profile** mounting (ceilings less than 8 feet high), see steps 3-7 – 3-11 on this page.

- 3-7. Locate the washer that comes preassembled in the canopy. Remove the label and discard the washer and label. Locate the set screw preassembled in the adapter. Remove and discard the set screw. (Refer to images on previous page.)
- 3-8. Place the low profile washer from the parts sack into the canopy.
- 3-9. Place the canopy trim ring and canopy with washer on top of the fan assembly.
- 3-10. Align the screw holes in the washer with the holes in the adapter. Assemble securely with three #8-32 x 1/2" screws.
- 3-11. Raise the fan and place the hook on the hanger bracket through the round hole in the rim of the canopy.

▲ WARNING: Fan may fall if not assembled as directed in these installation instructions.

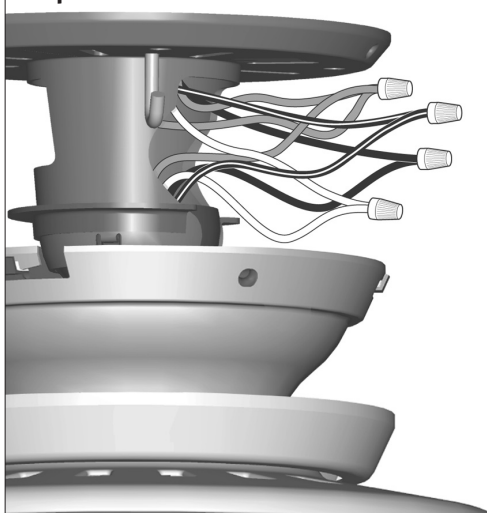


Do not remove the protective wrap from the silhouette on the motor housing. You will remove it after the last step on page 13.

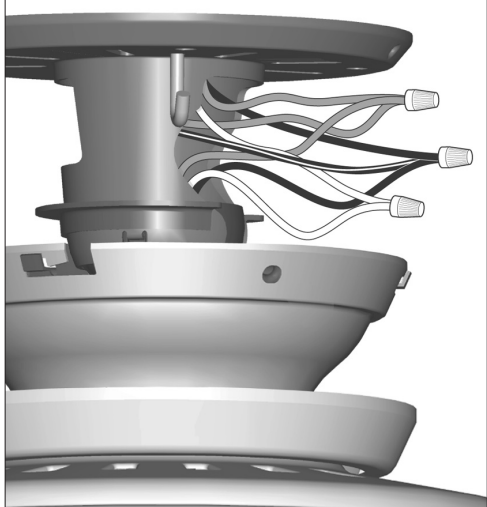


4 • Wiring the Fan

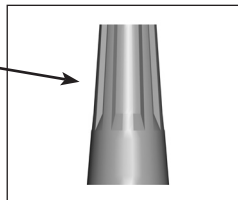
Step 4-3



Step 4-4



Wire Nut



All wiring must be in accordance with national and local electrical codes and ANSI/NFPA 70. If you are unfamiliar with wiring, use a qualified electrician.

Wall switches are not included. Select an acceptable general-use switch in accordance with national and local electrical codes.

- 4-1. Disconnect the power by turning off the circuit breakers to the outlet box and associated wall switch location.
- 4-2. Decide how you want to set up the fan and light controls. You can control the fan and/or lights together or separately using one or two wall switches. Follow Step 4-3 **OR** Step 4-4, depending on what you decide.
- 4-3. If you want to, you can control the fan and light separately using two wall switches, connect the wires as follows:

- The bare or green ground wire from the ceiling to the green ground wire from the hanger bracket and the green ground wire from the fan
- The white wire from the ceiling to the white wire from the fan
- The black wire from the ceiling to the black wire from the fan
- The black/white wire from the fan to the wire for the wall switch

- 4-4. Alternatively, you can control both fan and light with one switch. To do so connect the wires as follows:

- The bare or green ground wire from the ceiling to the green ground wire from the hanger bracket and the green ground wire from the fan
- The white wire from the ceiling to the white wire from the fan
- The black wire from the ceiling to the black and the black/white wire from the fan

- 4-5. To connect the wires, hold the bare metal leads together and place a wire nut over them, then twist clockwise until tight.

▲ CAUTION: Be sure no bare wire or wire strands are visible after making connections.

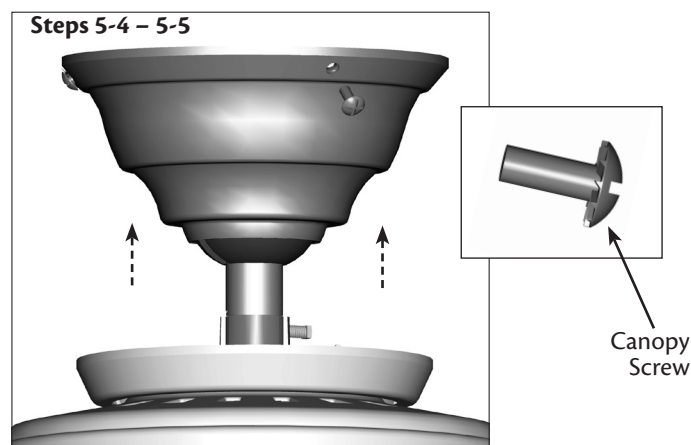
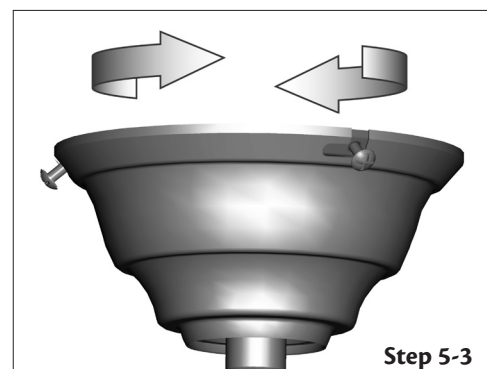
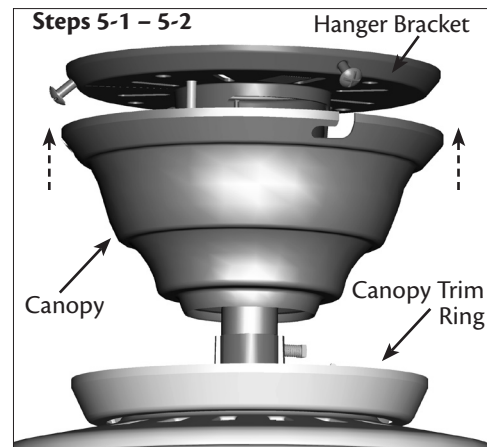
- 4-6. Push all wires and wire nuts back into the hanger bracket.

5 • Installing the Canopy and Canopy Trim Ring

- 5-1. Partially install two canopy screws (about 2 full turns) in the hanger bracket.
- 5-2. Raise the canopy over the hanger bracket (For low profile installations, you will need to remove the canopy from the hook first). Align partially installed screws with key slots in canopy.
- 5-3. Twist canopy clockwise to secure.
- 5-4. Install third canopy screw in round hole on canopy. Securely tighten all three screws.
- 5-5. Using both hands, push the canopy trim ring up to the top of the canopy. The canopy trim ring will snap and lock into place.

Should you need to remove the canopy trim ring, follow these steps:

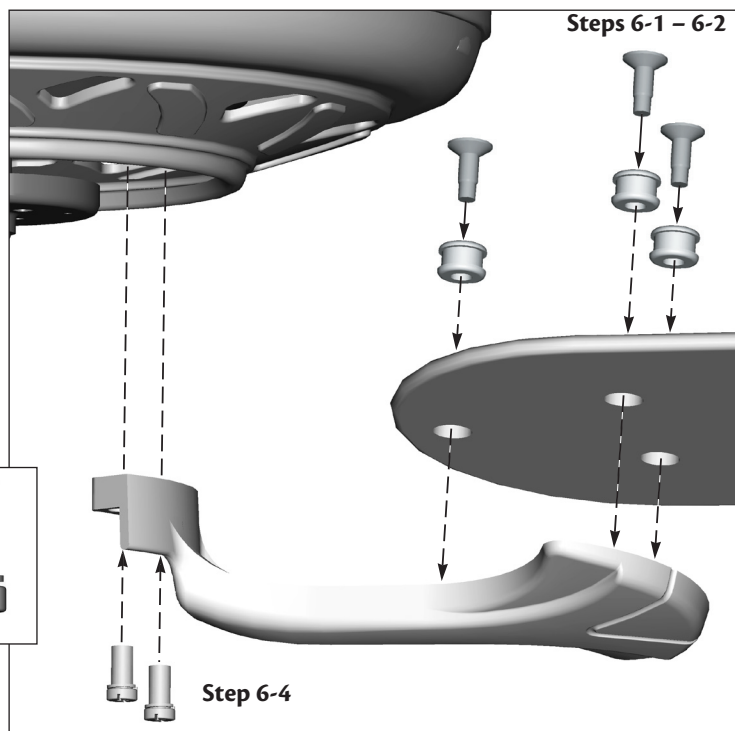
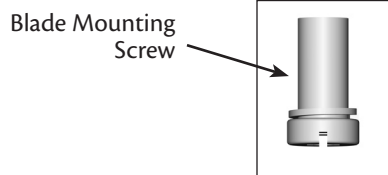
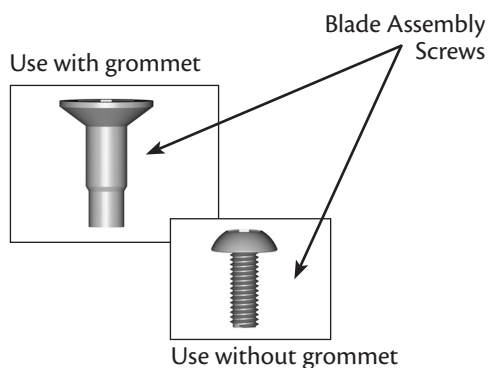
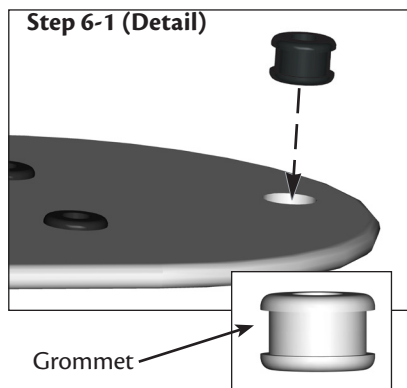
1. Locate the tab indicators, small bumps on top of tabs.
2. Press firmly on opposite sides of the ring towards the canopy. The tabs will flex out releasing the trim ring from the canopy



6 • Assembling the Blades

Hunter fans use several styles of fan blade irons (brackets that hold the blade to the fan).

- 6-1. Your fan may include blade grommets. If your fan has grommets, insert them by hand into the holes on the blades.
- 6-2. Attach each blade to a blade iron using three blade assembly screws. If you used grommets, the blades may appear slightly loose after screws are tightened. This is normal.
- 6-3. Remove the blade mounting screws and rubber shipping bumpers from the motor. **Note:** Some blade mounting screws are installed in the motor to secure shipping blocks.
- 6-4. For each blade, insert one blade mounting screw through the blade iron, and attach lightly to the fan. Insert the second blade mounting screw, then securely tighten both mounting screws.



7 • Completing Your Installation With or Without a Light Fixture

- 7-1. To attach the upper switch housing, partially install two #6-32 x 3/8" housing assembly screws into the switch housing mounting plate.
- 7-2. Feed the upper plug connector through the center opening of the housing.
- 7-3. Align the keyhole slots in the housing with the housing assembly screws.
- 7-4. Turn the housing counterclockwise until the housing assembly screws are firmly situated in the narrow end of the keyhole slots. Install the remaining #6-32 x 3/8" screw into the housing. Tighten all three screws firmly.

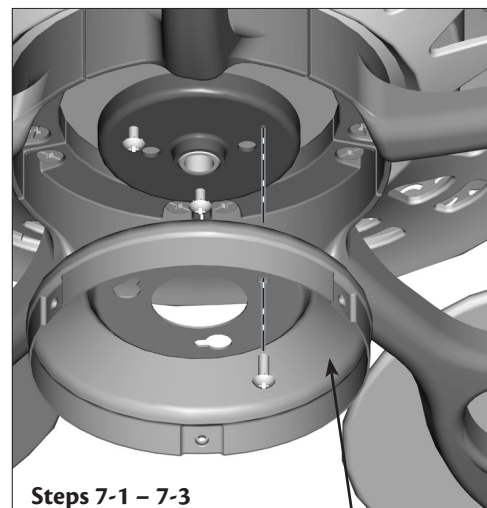
⚠ CAUTION: Make sure the upper switch housing is securely attached to the switch housing mounting plate. Failure to properly attach and tighten all three assembly screws could result in the switch housing and light fixture falling.

Your Hunter fan comes with an integrated light fixture assembly and an optional switch housing cap and plug button. This feature gives you the option of installing the fan with OR without the included light fixture.

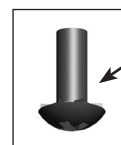
If you want to install the light fixture, proceed with step 7-5 now.

If you do not want to install the light fixture, you need to uninstall it now. See "Uninstalling the Light Fixture" on page 14.

⚠ WARNING: Use only the light fixture supplied with this fan model.

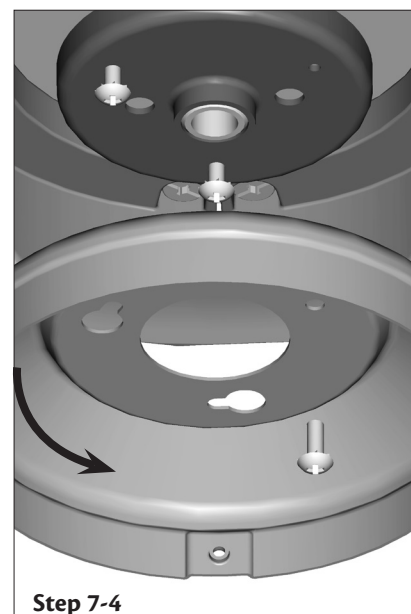


Steps 7-1 – 7-3



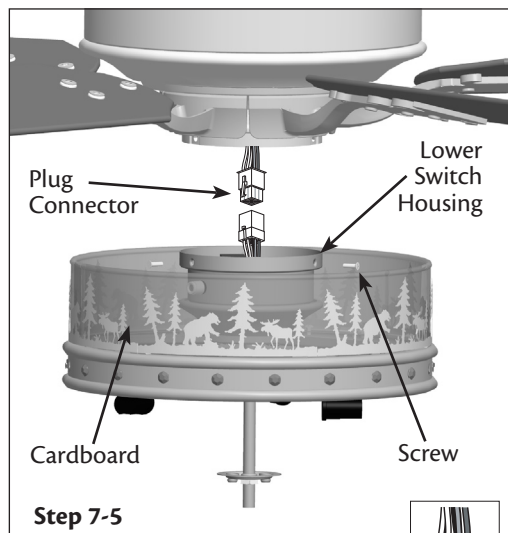
Housing Assembly Screw

Upper Switch Housing

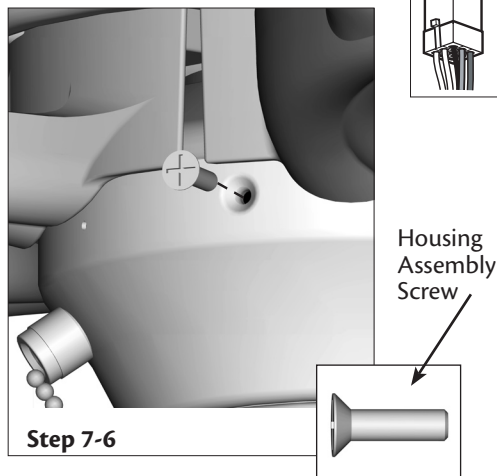


Step 7-4

7 • Completing Your Installation With or Without a Light Fixture (Continued)



Plug Connector Detail



Note: If you do not want to install the light fixture, see “Uninstalling the Light Fixture” on page 14.

7-5. To attach the lower switch housing, connect the upper plug connector from the motor to the lower plug connector in the lower switch housing assembly.

Note: Both plug connectors are polarized and will only fit together one way. Make sure the connectors are properly aligned before connecting them. Incorrect connection could cause improper operation and damage to the product.

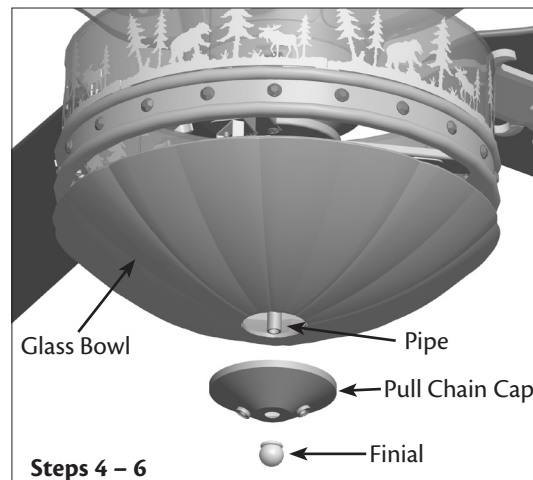
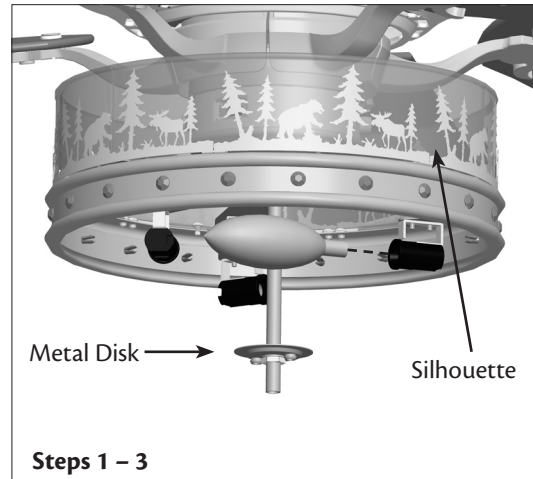
7-6. Place the lower switch housing assembly over the upper switch housing. Align the side screw holes in the upper and lower switch housings. Attach the lower switch housing to the upper switch housing with three #6-32 x 3/8” housing assembly screws. You will need to rotate the blade irons out of the way for each screw.

Installing the Glass Bowl

1. Install three candelabra bulbs (40 Watts maximum each).
2. Attach the extra pull chain (included) to the fan pull chain using the plastic breakaway connector. (You may find the plastic breakaway connector on the end of the extra chain.)
3. Thread the fan pull chain and light pull chain through the holes in the metal disk.
4. Place the pull chain cap up against the glass bowl. Align the holes in the cap and glass bowl.
5. Thread the fan pull chain and light pull chain through the appropriate holes in the pull chain cap.
6. Screw the finial onto the threaded pipe until tight.
7. Remove the protective wrap from the silhouette on the light fixture before starting the fan.

Attaching The Pull Chain Pendants

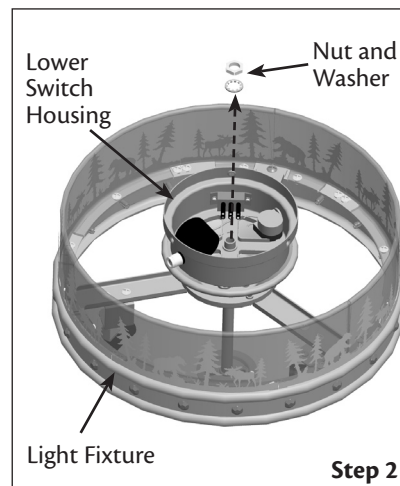
Insert the end of the fan pull chain between the hooks on the pull chain pendant. Pull tight to capture the link between the hooks. Repeat for light pull chain.



7 • Completing Your Installation With or Without a Light Fixture (Continued)

Uninstalling the Light Fixture

1. Disconnect the plug connectors.
2. Uninstall the nut and washer from the end of the light fixture inside the lower switch housing.
3. Remove the light fixture from the lower switch housing pulling disconnected wires through the hole in the center of the lower switch housing.
4. Locate the no-light assembly. Place the pipe from the assembly into the lower switch housing. Install the nut and washer (removed in step 3) onto the pipe to secure the no-light assembly to the switch housing.
5. Install the lower switch housing to the upper switch housing with three screws.

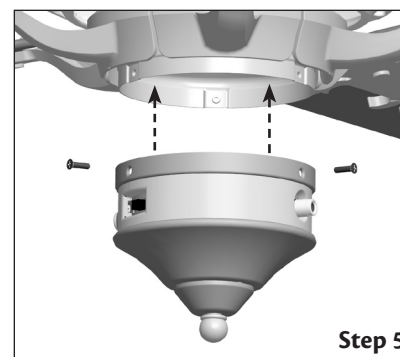
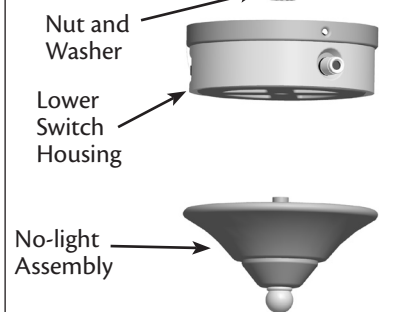


Attaching The Pull Chain Pendant

Insert the end of the fan pull chain between the hooks on the pull chain pendant. Pull tight to capture the link between the hooks.

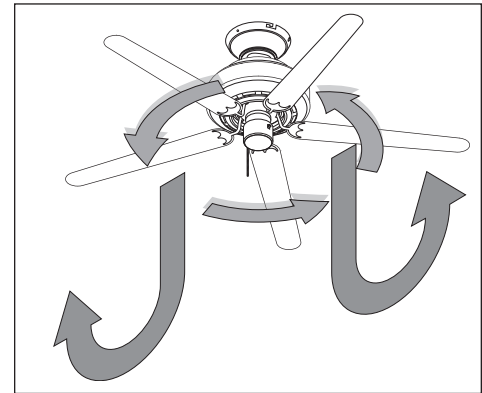


Step 4

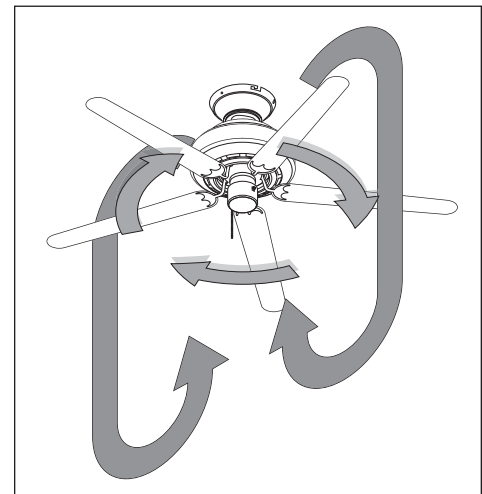


8 • Operating and Cleaning Your Ceiling Fan

- 8-1. Turn on electrical power to the fan.
- 8-2. The fan pull chain controls power to the fan. The pull chain has four settings in sequence: High, Medium, Low and Off.
- Pull the chain slowly to change settings.
 - Release slowly to prevent the chain from recoiling into the blades.
 - The chain uses a breakaway connector that separates if the chain is jerked. If this happens, simply reinsert the chain into the connector.
- 8-3. The light pull chain controls power to the light. The pull chain has two settings: On and Off.
- 8-4. Ceiling fans work best by blowing air downward (counterclockwise blade rotation) in warm weather to cool the room with a direct breeze. In winter, having the fan draw air upward (clockwise blade rotation) will distribute the warmer air trapped at the ceiling around the room without causing a draft.
- 8-5. For cleaning finishes, use a soft brush or lint-free cloth to prevent scratching. A vacuum cleaner brush nozzle can remove heavier dust. Remove surface smudges or accumulated dirt and dust using a mild detergent and a slightly dampened cloth. You may use an artistic agent, but never abrasive cleaning agents as they will damage the finish.
- 8-6. Clean wood finish blades with a furniture polishing cloth. Occasionally, apply a light coat of furniture polish for added protection and beauty. Clean painted and high-gloss blades in the same manner as the fan finish.



In warm weather, use downward air flow pattern

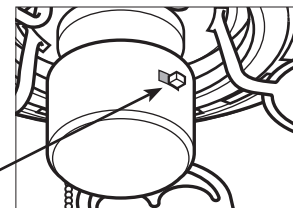


In cold weather, use upward air flow pattern

To Change Airflow Direction

Turn the fan off and let it come to a complete stop. Slide the reversing switch on the fan to the opposite position. Restart fan.

Reversing Switch



9 • Troubleshooting

Problem: Nothing happens; fan does not move.

1. Turn power on, replace fuse, or reset breaker.
2. Loosen canopy, check all connections according to the wiring the fan section.
3. Check the plug connection in the switch housing.
4. Push motor reversing switch firmly left or right to ensure that the switch is engaged.
5. Pull the pull chain to ensure it is on.
6. Remove the shipping bumpers.

Problem: Noisy operation.

1. Tighten the blade bracket screws until snug.
2. Tighten the blade screws until snug.
3. Check to see if the blade is cracked. If so, replace all the blades.
4. Change to an approved speed control.
5. Check and tighten the screws in the switch housing mounting plate and in the upper and lower switch housing.

Problem: Excessive wobbling.

1. If your fan wobbles when operating, use the enclosed balancing kit and instructions to balance the fan.
2. Tighten all blade and/or blade iron screws.
3. Turn power off, support fan very carefully, and check that the hanger ball is properly seated.

If you need parts or service assistance, please call 888-830-1326 or visit us at our Web site at <http://www.hunterfan.com>.

Hunter Fan Company
2500 Frisco Avenue
Memphis, Tennessee 38114

Free Manuals Download Website

<http://myh66.com>

<http://usermanuals.us>

<http://www.somanuals.com>

<http://www.4manuals.cc>

<http://www.manual-lib.com>

<http://www.404manual.com>

<http://www.luxmanual.com>

<http://aubethermostatmanual.com>

Golf course search by state

<http://golfingnear.com>

Email search by domain

<http://emailbydomain.com>

Auto manuals search

<http://auto.somanuals.com>

TV manuals search

<http://tv.somanuals.com>