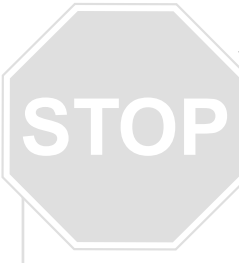


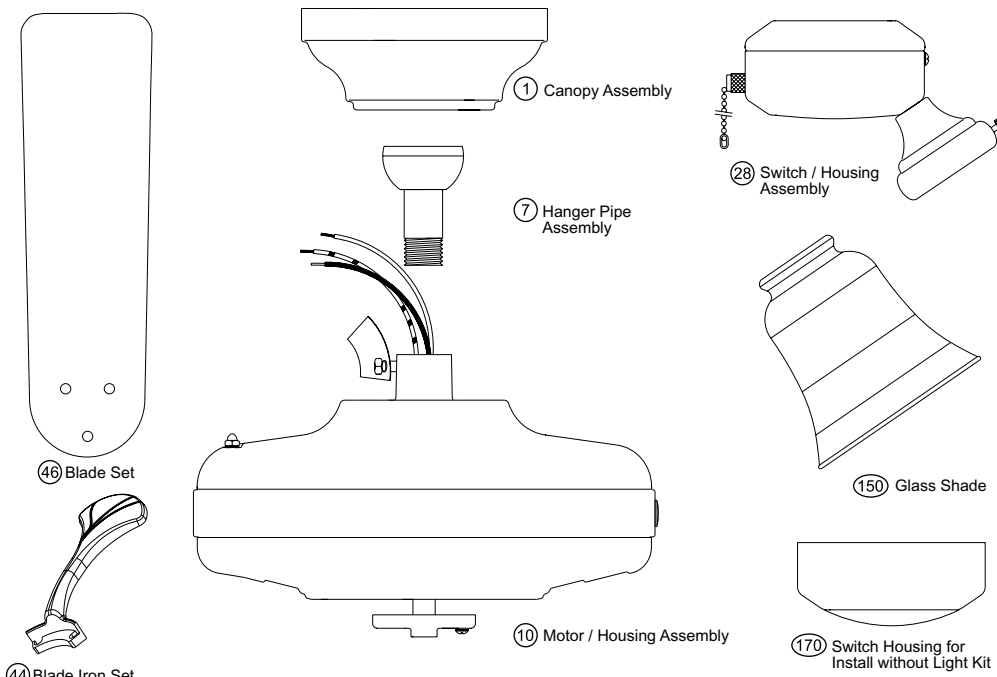
PARTS GUIDE



Using the Parts Guide below, check to make sure all parts are included in the box.
 If parts are missing or damaged call 1-888-830-1326.
PLEASE DO NOT RETURN THIS PRODUCT TO THE STORE.

Before installing your fan, record the following information for your records and warranty assistance.

Fan Parts (Not Drawn to Scale)



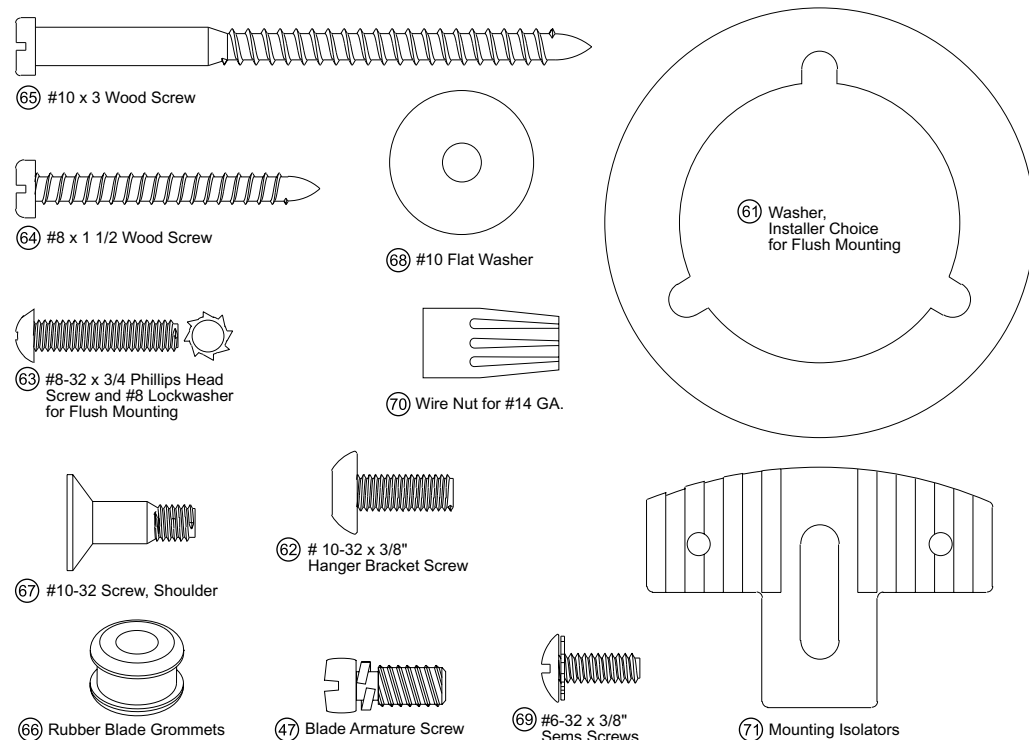
Model Name _____
 Catalog No. _____
 Serial No. _____
 Date Purchased _____
 Where Purchased _____

Missing / Broken Parts:
 Call 1-888-830-1326

- Fan does not work:**
1. Reference the Trouble Shooting guide in your Instruction Manual.
 2. Call your Local Service Center.
 3. Call Technical Support at 901-248-2222.

For additional information on:
 Hunter Products • Trouble Shooting
 Dealer Location • Service Center Locator
 Call 1-800-448-6837
www.hunterfan.com

Hardware (Drawn to Scale)



Item #	Item Name	Qty	Model #	20751	20753	20758
			Asm. Dwg. #	93005-05	93240-02	93240-01
			Finish	Brushed Nickel	Weathered Brick	White
Part #	Part #	Part #	Part #	Part #		
1	Canopy Assembly	1	93005-00-803	93005-00-805	93005-00-802	
2	* Hanger Bracket Assembly	1	74090-02-000	74090-02-000	74090-02-000	
3	* Canopy	1	92697-01-214	92697-01-213	92697-01-132	
4	* Canopy Trim Ring	1	84512-01-214	84512-01-213	84512-01-132	
7	Hanger Pipe Assembly	1	74229-03-214	74229-03-213	74229-24-132	
12	* Screw, Set	2	03009-01-000	03009-01-000	03009-01-000	
47	Screw, Blade Iron Armature	11	63755-05-232	63755-05-232	63755-05-133	
28	Switch/Housing Assembly	1	93519-09-000	93519-02-000	93519-10-000	
29	* Switch Housing, Lower	1	93599-02-214	93599-02-213	93599-02-132	
30	* Switch Housing, Upper	1	84934-01-214	84934-01-213	84934-01-132	
22	* Fan Pull Chain Switch	1	63784-01-000	63784-01-000	63784-01-000	
77	Light Pull Chain Switch	1	08183-03-133	08183-03-232	08183-03-133	
28	* Break Away Connector	2	73384-01-000	73384-01-000	73384-01-000	
32	* Reversing Switch	1	64302-02-000	64302-01-000	64302-02-000	
83	* Reversing Switch Screw	2	03492-01-133	03492-01-232	03492-01-133	
34	* Capacitor - Start	1	74132-05-000	74132-05-000	74132-05-000	
35	* Capacitor - Speed	1	74133-05-000	74133-05-000	74133-05-000	
145	Globe Fitter	4	74180-01-214	74180-01-213	74180-01-132	
135	Lamp Holder Assembly	4	64018-01-000	64018-01-000	64018-01-000	
164	Lamp Holder Assy Screw	4	06504-01-000	06504-01-000	06504-01-000	
167	Socket Bracket	4	64017-03-000	64017-03-000	64017-03-000	
156	Thumb Screw	13	03077-08-133	03077-08-232	03077-08-133	
33	* Plug Connector - Female	1	64020-01-000	64020-01-000	64020-01-000	
32	* Light Plug Connector - Male	1	74242-01-000	74242-01-000	74242-01-000	
33	* Light Plug Connector - Female	1	74243-01-000	74243-01-000	74243-01-000	
67	* Assembly Screw	3	64555-02-133	64555-02-232	64555-02-133	
133	* Pin, Female	7	07636-02-000	07636-02-000	07636-02-000	
44	Blade Iron Set	1	74143-49-000	74143-01-213	74143-01-132	
46	Blade Set	1	74296-19-000	74296-03-000	74296-31-000	
150	Globe/Shade	4	84884-03-000	84884-04-000	84884-03-000	
170	Switch Housing, Alternate	1	93005-00-873	93005-00-875	93005-00-872	
171	* Switch Housing Cover, Alternate	1	73853-01-214	73853-01-213	73853-01-132	
172	* Switch Housing, Lower, Alternate	1	84417-01-214	84417-01-213	84417-01-132	
173	* Switch Housing Plug Button, Alternate	1	73854-01-214	73854-01-116	73854-01-132	
60	* Hardware Kit	1	93414-00-855	93414-00-852	93414-00-857	
61	Washer, Installers Choice	1	73788-01-000	73788-01-000	73788-01-000	
62	Screw, Canopy	3	74510-04-133	74510-04-232	74510-04-132	
63	Screw, LP Washer	3	74508-06-232	74508-06-232	74508-06-232	
64	Screw, Wood	2	06512-01-000	06512-01-000	06512-01-000	
65	Screw, Wood	2	03144-03-000	03144-03-000	03144-03-000	
66	Grommet, Blade	16	05989-01-000	05989-01-000	05989-02-000	
67	Screw, Shoulder	16	63730-01-232	63730-01-232	63730-01-133	
68	Washer, Flat	4	06301-01-000	06301-01-000	06301-01-000	
69	Screw, Machine, 6-32	6	74506-36-133	74506-36-232	74506-36-133	
70	Wire Nut	4	05172-01-000	05172-01-000	05172-01-000	
71	Mounting Isolator	2	74135-01-000	74135-01-000	74135-01-000	
75	* Balancing Kit	1	07570-01-000	07570-01-000	07570-01-000	
91	* Parts Guide	1	98000-01-002	98000-01-002	98000-01-002	
93	* Trim Ring Instruction Sheet (English)	1	41394-01-000	41394-01-000	41394-01-000	
94	* Trim Ring Instruction Sheet (Spanish)	1	41394-02-000	41394-02-000	41394-02-000	
101	* Owners Manual (English)	1	41343-01-000	41343-01-000	41343-01-000	
102	* Owners Manual (Spanish)	1	41343-02-000	41343-02-000	41343-02-000	
120	* Site Prep Guide (English)	1	41278-01-000	41278-01-000	41278-01-000	
121	* Site Prep Guide (Spanish)	1	41278-02-000	41278-02-000	41278-02-000	
138	* Light Kit Instruction Sheet (English)	1	41395-01-000	41395-01-000	41395-01-000	
139	* Light Kit Instruction Sheet (Spanish)	1	41395-02-000	41395-02-000	41395-02-000	



Hunter Fan Company
 2500 Frisco Avenue
 Memphis, TN 38114

www.hunterfan.com

* Items Not Shown

Free Manuals Download Website

<http://myh66.com>

<http://usermanuals.us>

<http://www.somanuals.com>

<http://www.4manuals.cc>

<http://www.manual-lib.com>

<http://www.404manual.com>

<http://www.luxmanual.com>

<http://aubethermostatmanual.com>

Golf course search by state

<http://golfingnear.com>

Email search by domain

<http://emailbydomain.com>

Auto manuals search

<http://auto.somanuals.com>

TV manuals search

<http://tv.somanuals.com>