

Hunter[®]

LED



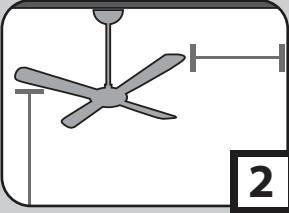
ENGLISH

Important Instructions: Keep Instructions for future use

Congratulations on purchasing your new Hunter® ceiling fan! It will provide comfort and performance in your home or office for many years. This installation and operation manual contains complete instructions for installing and operating your fan.

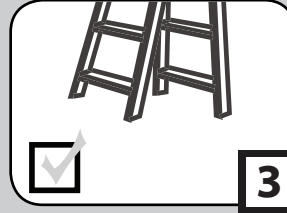
We are proud of our work and appreciate the opportunity to supply you with the best ceiling fan available anywhere in the world.

What to Expect with Your Installation



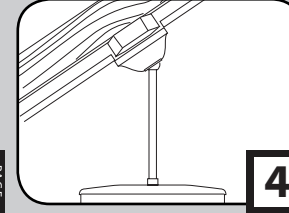
2 PAGE

Tools Needed



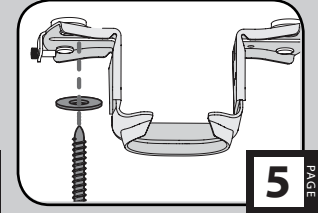
3 PAGE

Mounting Options



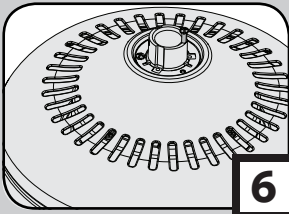
4 PAGE

Ceiling Bracket



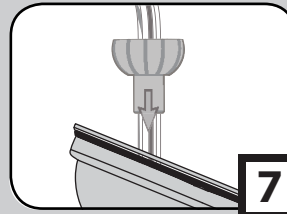
5 PAGE

Assembling the Top Housing



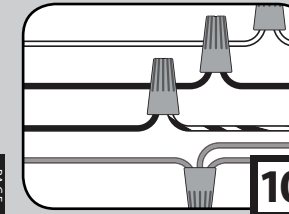
6 PAGE

Downrod



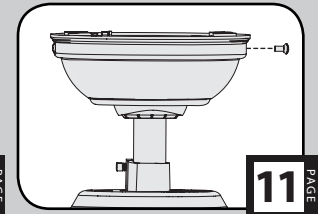
7 PAGE

Wiring



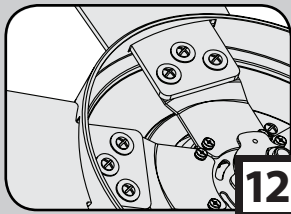
10 PAGE

Canopy



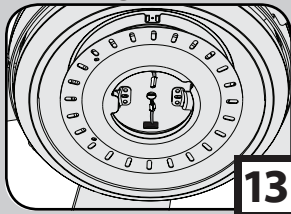
11 PAGE

Blades



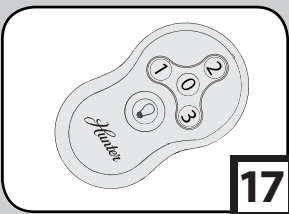
12 PAGE

Light Kit



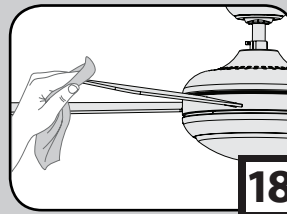
13 PAGE

Remote Control



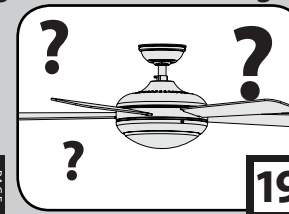
17 PAGE

Operation, Maintenance & Cleaning



18 PAGE

Troubleshooting

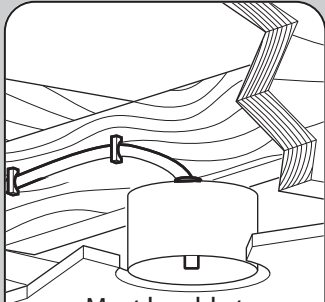


19 PAGE

Warranty Statement



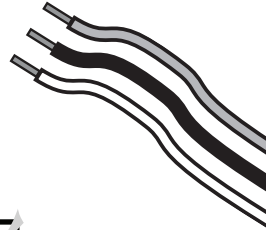
20 PAGE



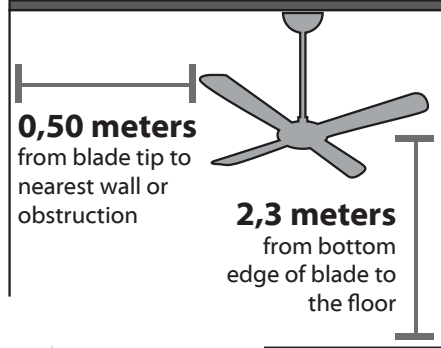
Must be able to secure the fan to building structure or fan-rated outlet box. **Do not** use a plastic outlet box.



If you are unfamiliar with wiring, use a qualified electrician.



Know your wiring



Assess location

You may need a friend to help you.



Check box to see fan weight

1 Standard Downrod
for ceilings 2,4 -3 meters high

2 Shorter Downrod
for fans installed close to ceiling

3 Longer Downrod
for ceilings 3 meters or higher



Select a downrod length



Use **ONLY** Hunter Ceiling Fan branded accessory light kits.

This product conforms to UL Standard 507.

⚠ WARNINGS

w.1 - To reduce the risk of fire, electrical shock, or personal injury, mount fan directly from building structure and/or an outlet box marked acceptable for fan support of 31.8 kg and use the mounting screws provided with the outlet box.

w.2 - To avoid possible electrical shock, before installing or servicing your fan, disconnect the power by turning off the circuit breakers to the outlet box and associated wall switch location. If you cannot lock the circuit breakers in the off position, securely fasten a prominent warning device, such as a tag, to the service panel.

w.3 - To reduce the risk of fire, electrical shock, or motor damage, use only Hunter Solid State Speed Controls.

w.4 - To reduce the risk of personal injury, do not bend the blade brackets when installing the blade brackets, balancing the blades, or cleaning the fan. Do not insert foreign objects in between rotating fan blades.

w.5 - This appliance is not intended for use by persons (including children) with reduced physical, sensory or mental capabilities, or people with a lack of experience and knowledge, unless they have received instructions regarding the use of the device or under the supervision of a person responsible for their safety.

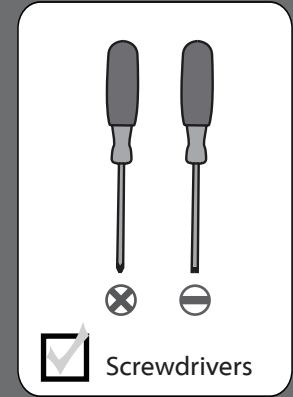
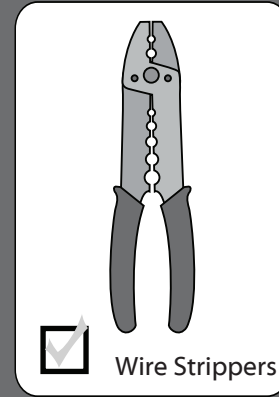
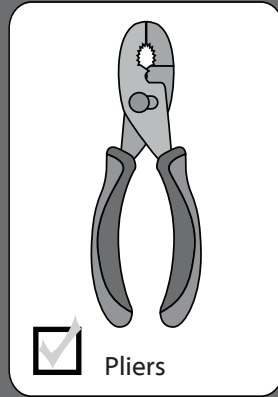
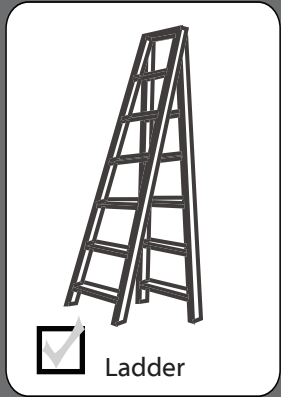
w.6 - It is recommended that children be supervised to ensure that they are not using the appliance improperly

⚠ CAUTIONS

c.1 - All wiring must be in accordance with national and local electrical codes. If you are unfamiliar with wiring, use a qualified electrician.

c.2 - Use only Hunter replacement parts.

Tools Needed



Power Drill (optional)

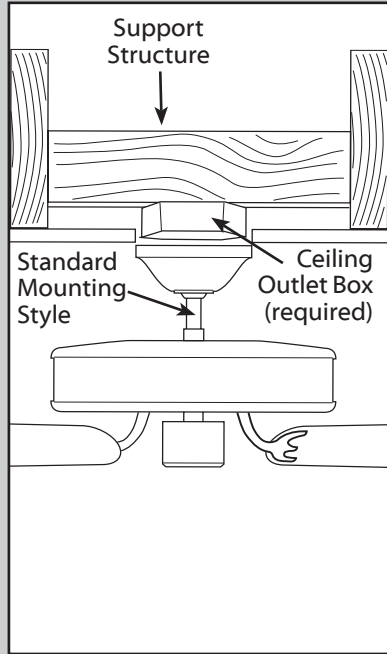
3.5 mm Drill Bit (optional)

8 mm Drill Bit (optional)

Hammer (optional)

If mounting to a support structure, you will also need these tools.

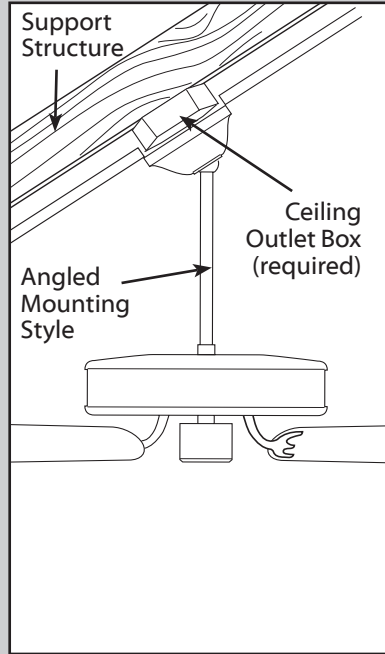
Mounting Options



If you have a flat ceiling:

Hang your fan by a standard downrod (included) or use a shorter downrod (sold separately) for Low-Profile Mounting.

Carefully choose the installation location that allows for optimal air flow.



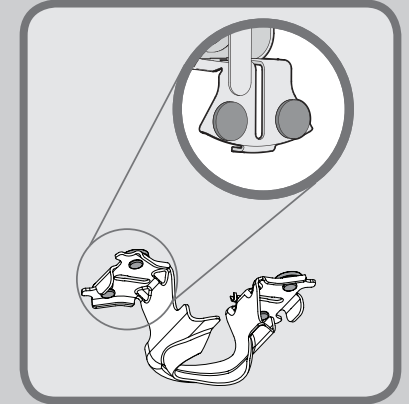
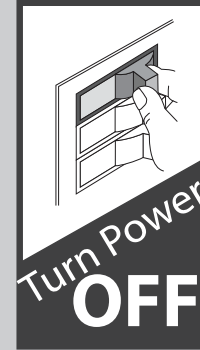
If you have an angled ceiling:

You will need a longer downrod (sold separately) to hang the fan from a vaulted or angled ceiling.

Note: Do not hang the fan from a ceiling that is angled greater than 34°

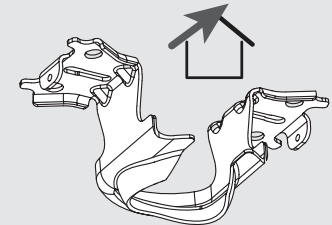
Ceiling Bracket

www.hunterfan.com.br

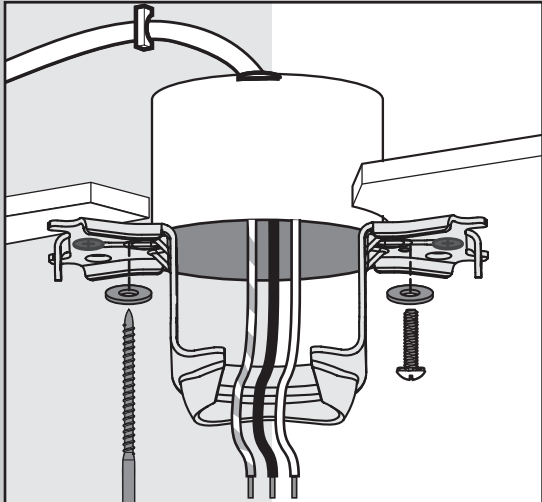


Make sure all four (4) bumpers are still attached.

For angled ceilings, point opening toward peak.



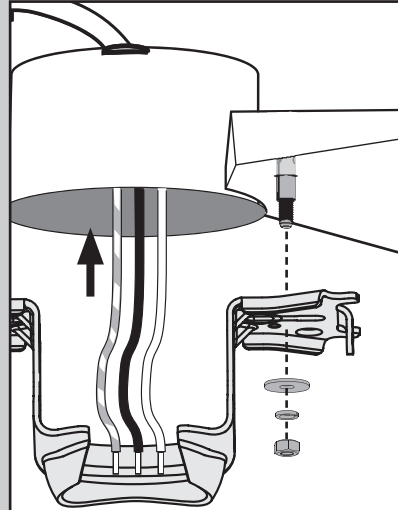
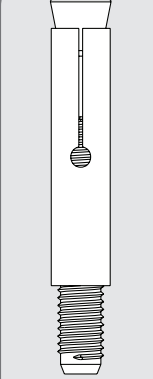
The support structure must be able to support 5 times the weight of the fan. The weight of the fan is located on the product packaging.



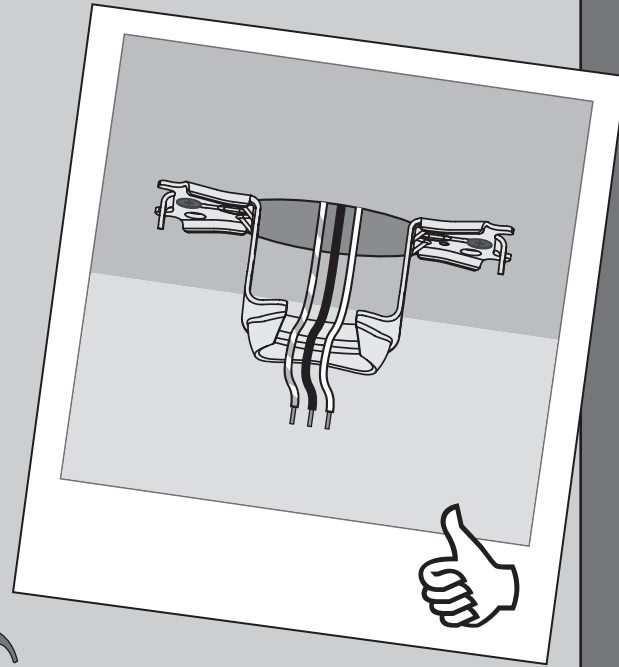
Use wood screws (included) when securing to support structure with approved electrical outlet box. Drill 3.5 mm pilot holes in support structure to aid in securing ceiling bracket with hardware found in the ★ hardware bag.

Use machine screws (provided with outlet box) when securing to existing ceiling fan-rated outlet box. Make sure it is securely installed and is acceptable for fan support of 31.8 kg or less.

Note: Do not mount ceiling fan to a plastic outlet box.

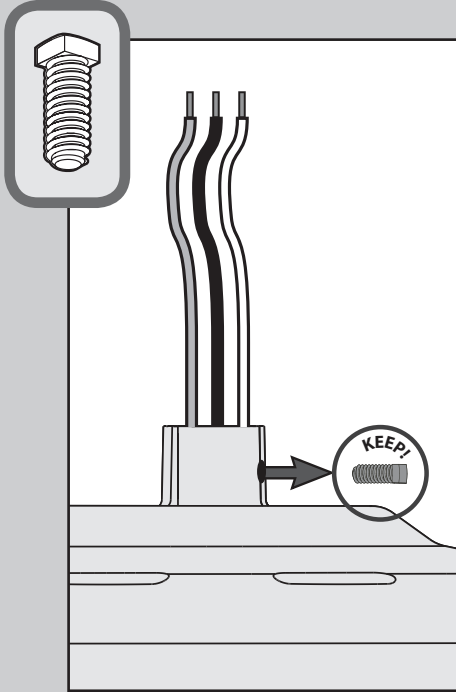


Use concrete anchors (included) when securing to support structure with approved outlet box in a concrete ceiling. Drill 8 mm pilot holes in support structure. Hammer the M6 expansion anchors into the holes until the ends are flush with the ceiling. Install the washer, isolator, and nut found in the ★ hardware bag to the expansion anchors.

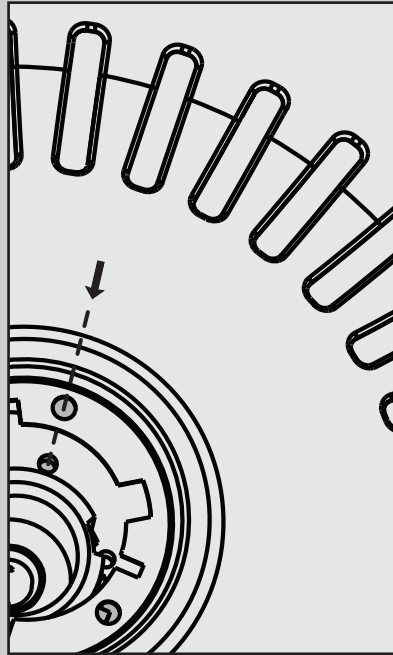


To avoid possible electrical shock, before installing your fan, disconnect the power by turning off the circuit breakers to the outlet box associated with the wall switch location.

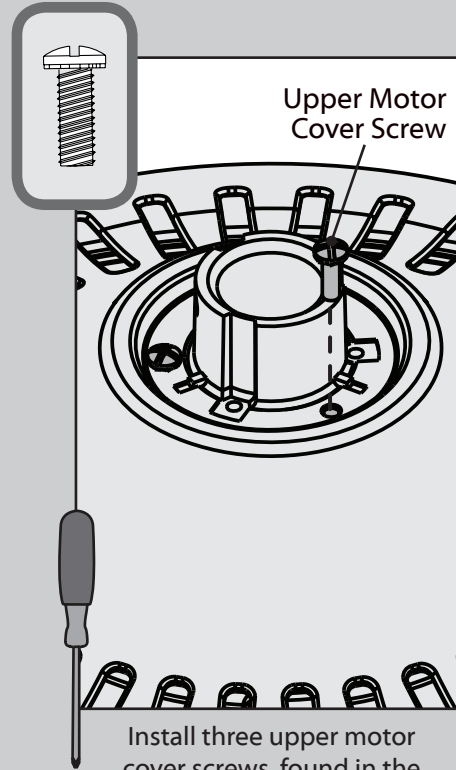
Refer to warning w.1 on pg. 2



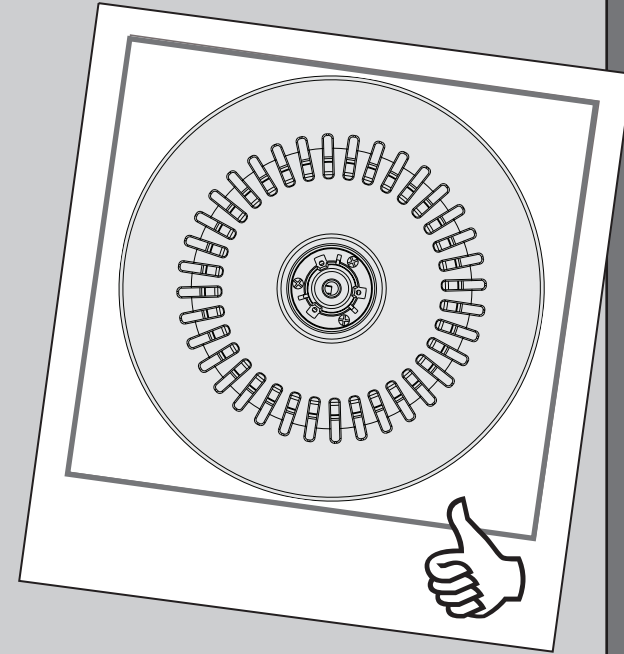
Remove the pre-installed setscrew so that the downrod can be inserted.



To assemble the housing to the hanger adapter, align the three raised tabs on the hanger adapter with the three narrow notches in the top housing. Make certain the housing sits flat on the adapter.

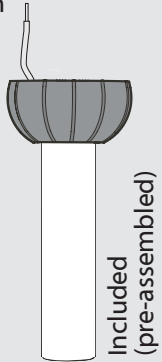


Install three upper motor cover screws, found in the hardware bag, and tighten them securely.



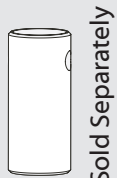
Option 1

Standard Downrod for ceilings 2,4-3 m high



Option 2

Shorter Downrod for fans installed close to ceiling



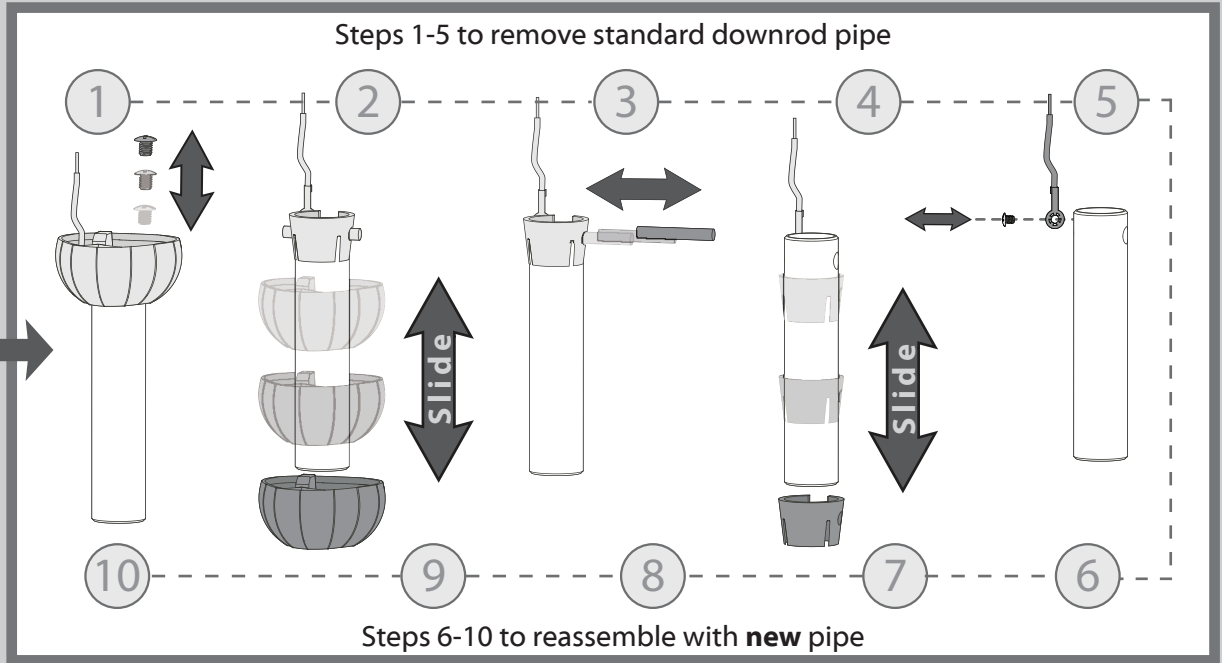
Option 3

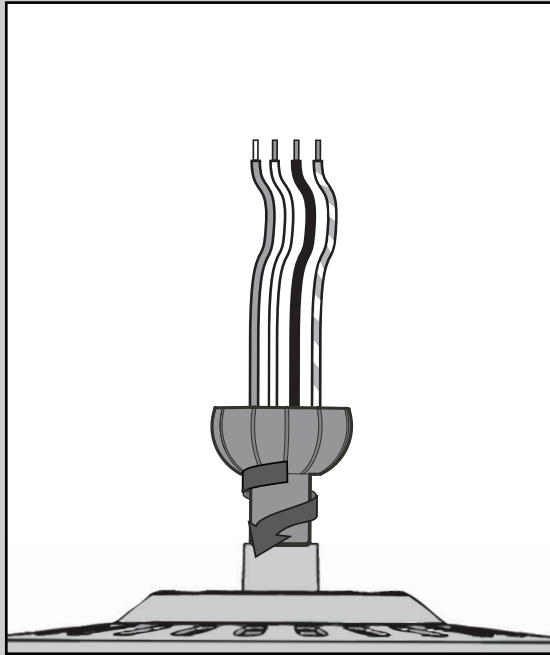
Longer Downrod for angled ceilings or ceilings 3 m or higher



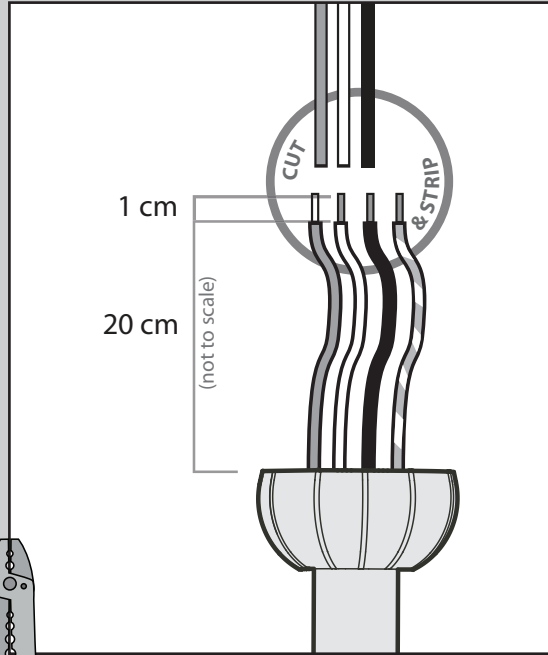
skip to next page

If you need a different downrod length follow these steps:

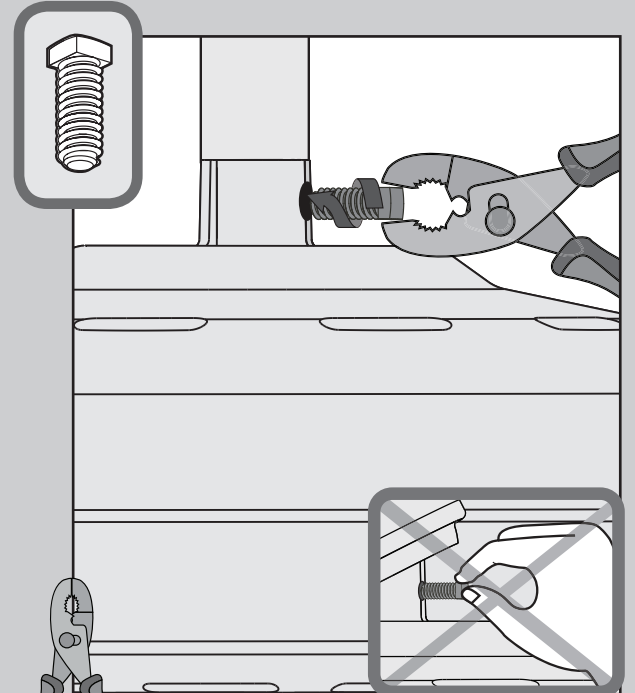




Hand tighten the downrod (at least 4-5 full turns) until it stops.



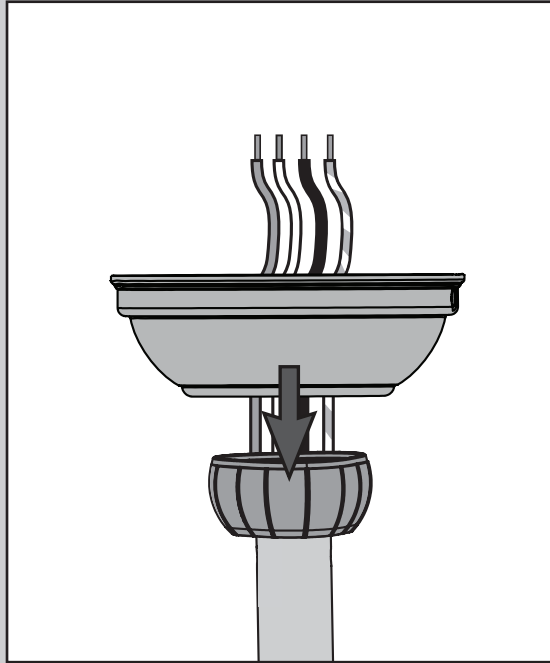
The wires can be cut, but leave at least 20 cm extending from the top of the downrod.



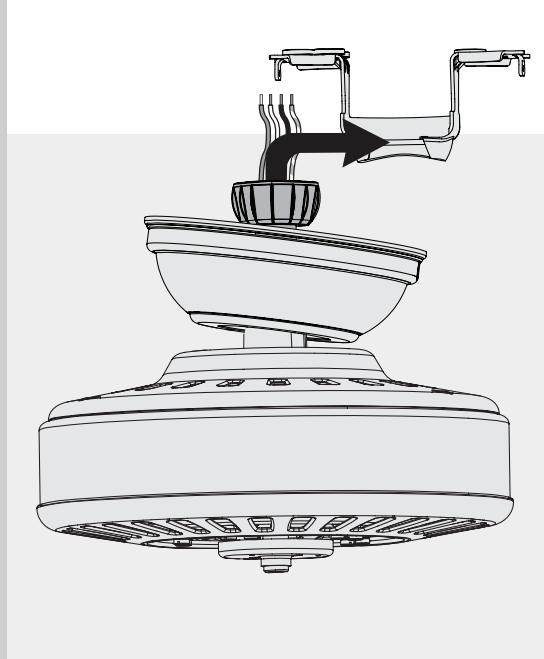
Tighten the setscrew with pliers. **DO NOT HAND TIGHTEN.**



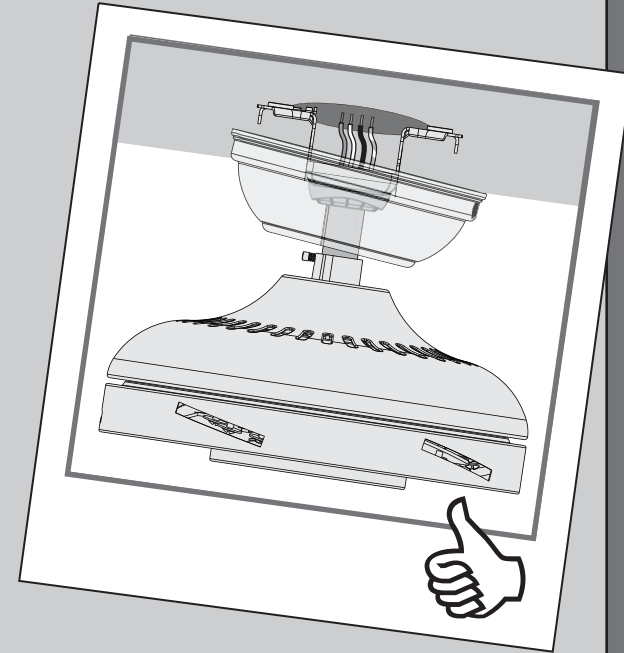
If the setscrew is not tightened securely, the fan may fall.



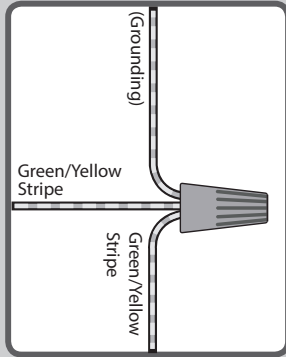
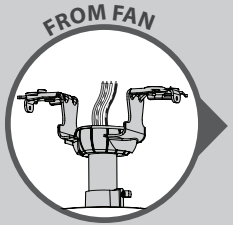
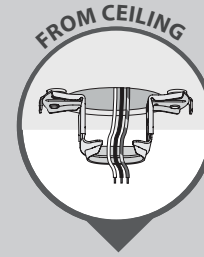
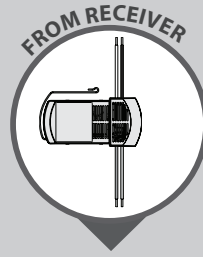
Put the wires and downrod through the canopy.
Let the canopy sit loosely on top of the fan.



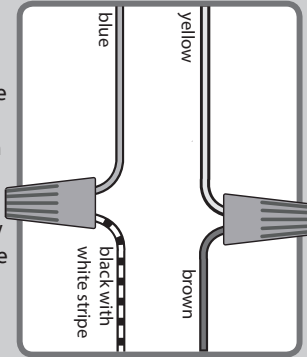
**DO NOT PICK THE FAN UP BY THE CANOPY
OR WIRES.** Place the downrod ball into the slot
in the ceiling bracket.



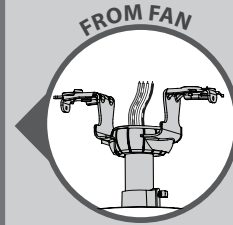
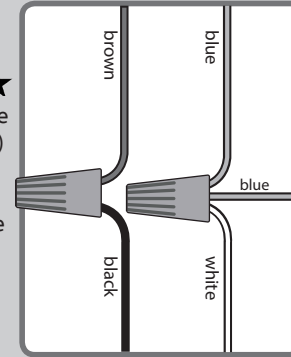
Note: To connect the wires, hold the bare metal leads together and place a wire connector over them, then twist clockwise until tight.



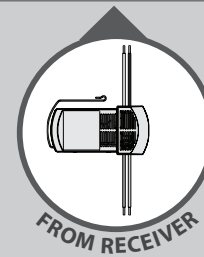
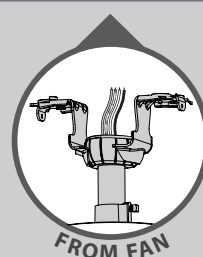
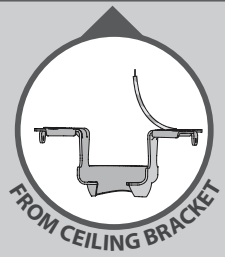
Using the orange wire connectors from the remote control hardware bag, connect the blue wire from the receiver to the black with white stripe wire from the fan. Connect the yellow wire from the receiver to the brown wire from the fan.



Using the orange wire connectors from the ★ hardware bag, connect the brown wire (ungrounded) from the ceiling to the black wire from the receiver. Connect the blue wire from the ceiling to both the white wire from the receiver and the blue wire from the fan.

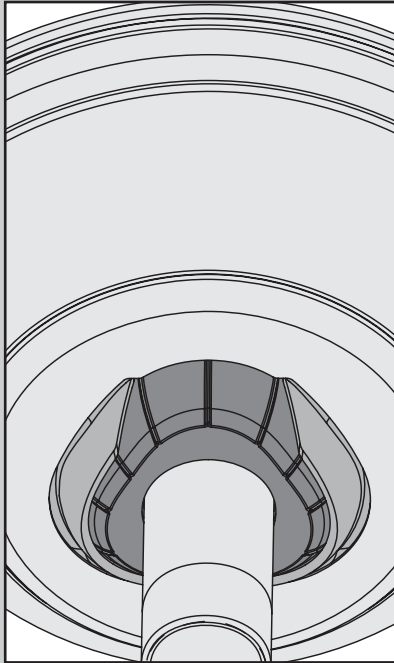


Using an orange wire connector from the ★ hardware bag, connect the 3 grounding wires (green, green/yellow stripe, or bare copper) coming from the ceiling, downrod, and hanging bracket.

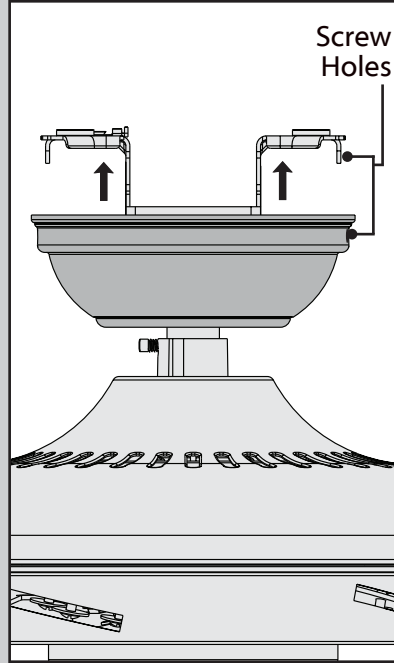


Refer to CAUTION c.1 on pg. 2

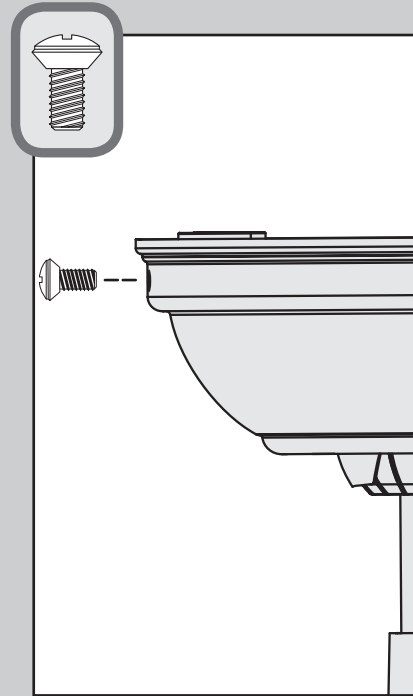
Turn the splices upward and push them carefully back through the hanger bracket into the outlet box. Spread the wires apart, with the grounded wires on one side of the outlet box and the ungrounded wires on the other side of the outlet box.



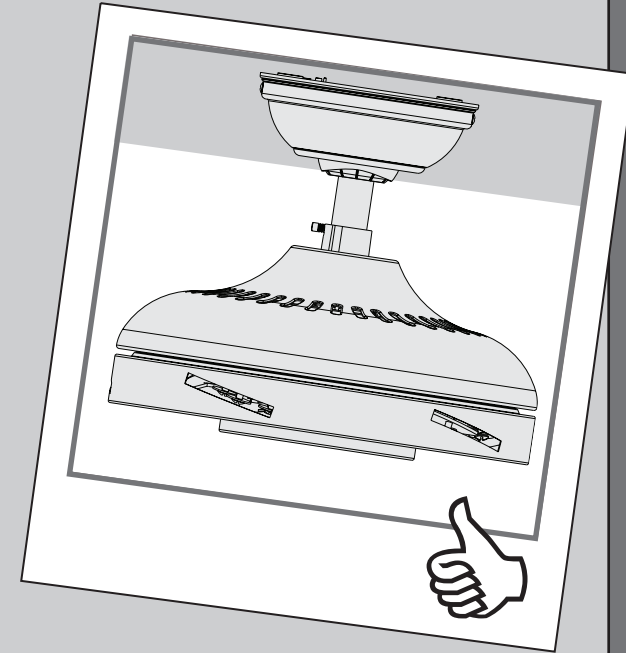
Position the canopy so that, when lifted into place, the canopy fits into the hanging bracket as shown.



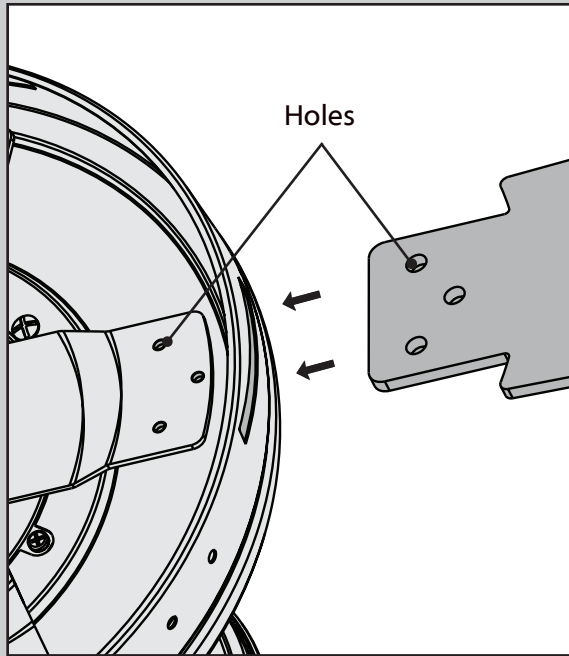
Lift the canopy into place so that the screw holes are aligned.



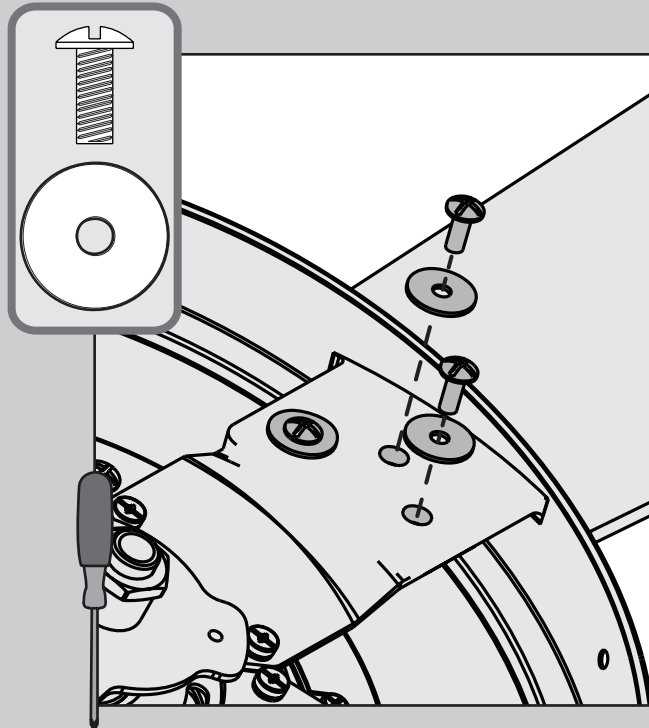
Insert the two canopy screws found in the ● hardware bag.



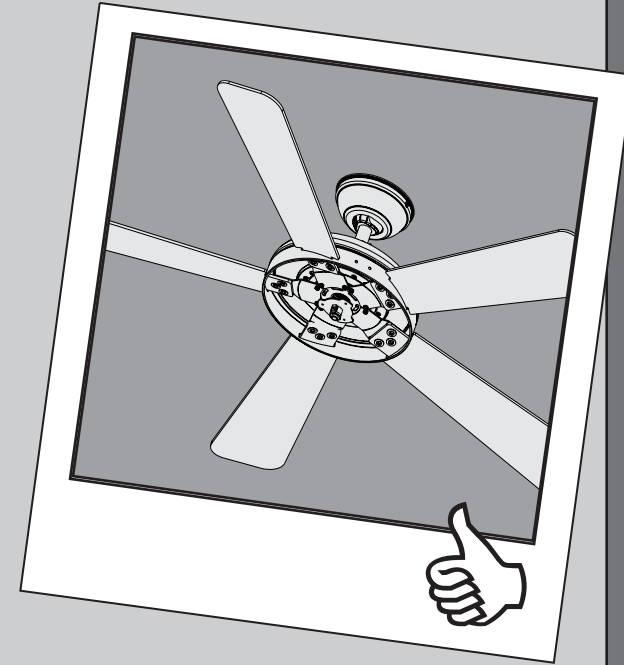
Note: Fan style may vary.



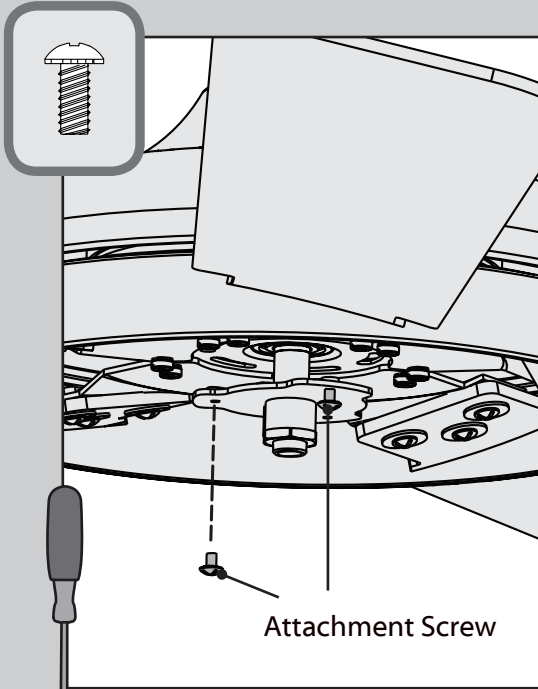
Insert blade into slot. Align the holes on the blade with the holes in the fan motor.



⊗ Attach the blade to the motor using the flat washers from the ■ hardware bag and blade assembly screws found in the ▲ hardware bag. Repeat for each blade.

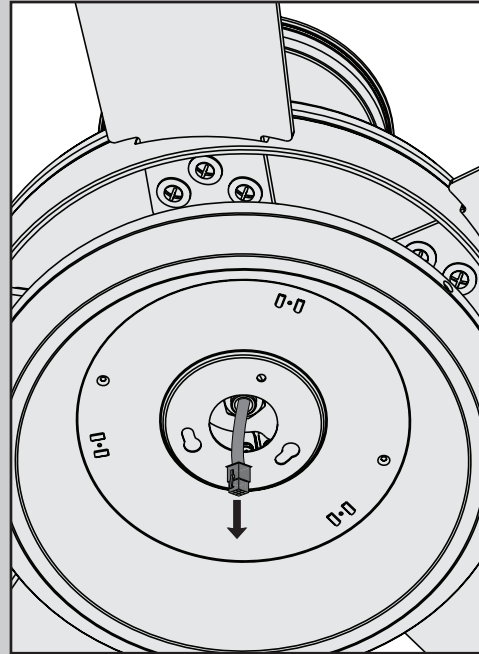


Your blades are shielded with Dust Armor® which is a nanotechnology coating that repels dust. For cleaning the fan, use soft brushes or cloths to prevent scratching. Cleaning agents may damage the finishes.

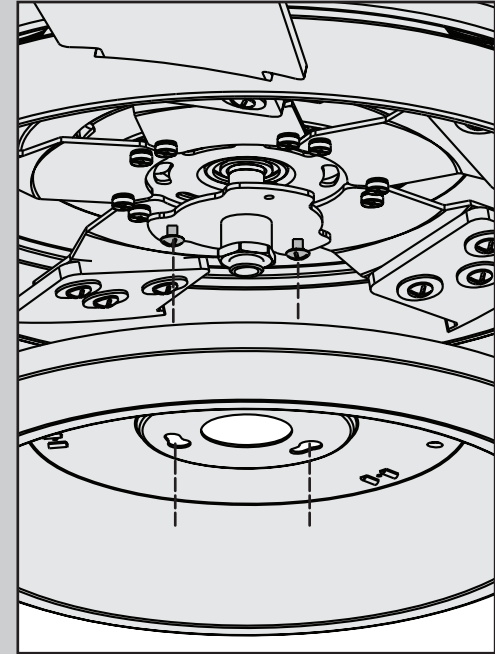


Attachment Screw

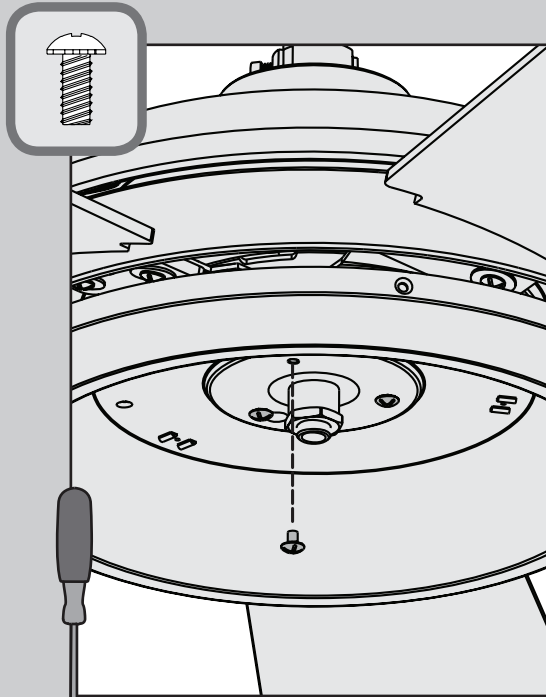
⊗ Partially install two attachment screws, found in the ☰ hardware bag, into the light kit mounting plate.



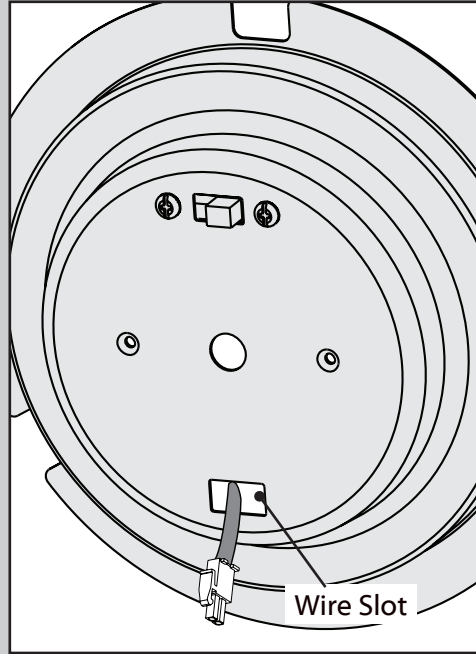
Thread the 9-pin plug connector from the fan through the light kit.



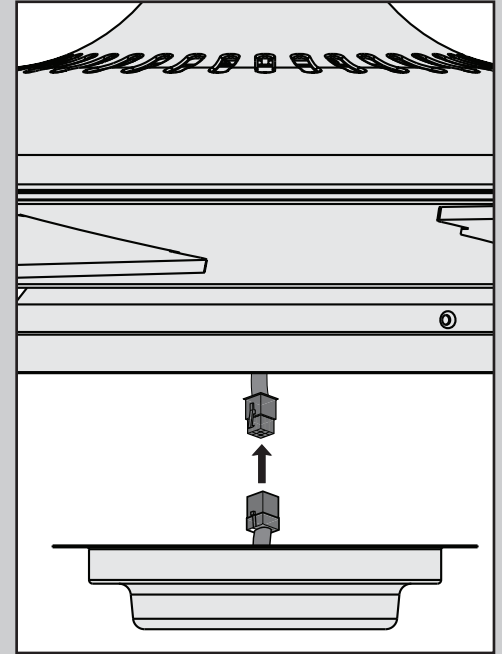
Align the keyholes in the light kit with the two partially installed screws and turn the light kit clockwise until the screws are in the narrow ends of the keyholes.



⊗ Install the remaining attachment screw to secure the light kit to the mounting plate. Securely tighten all three screws.



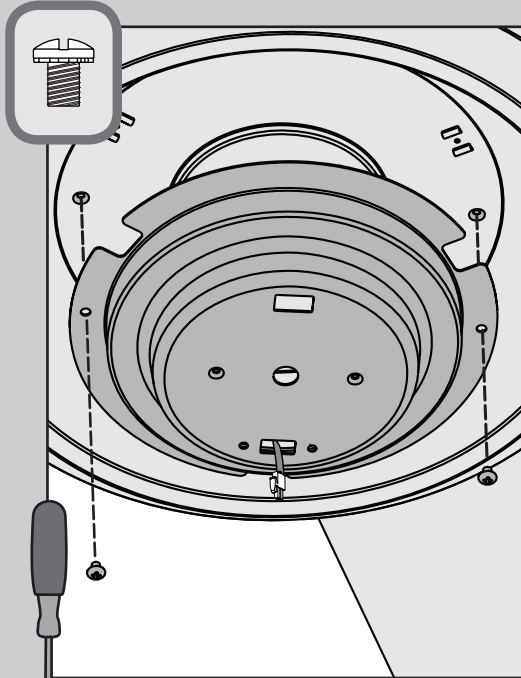
Thread the 2-pin connector through the wire slot in the the switch housing.

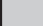


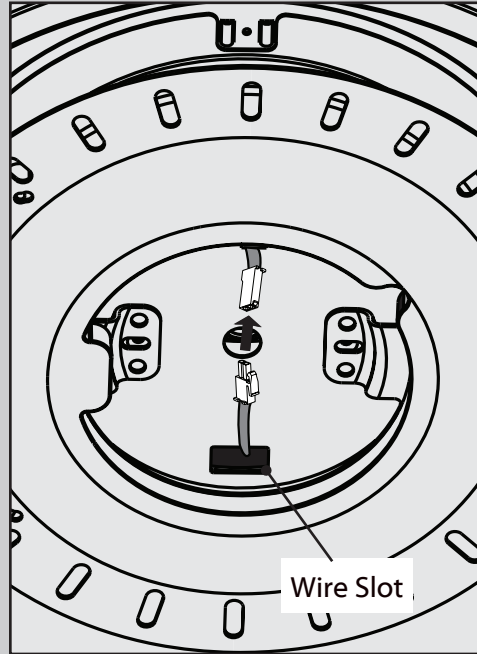
Connect the upper 9-pin plug connector from the fan to the lower 9-pin plug connector in the light kit.

Make sure the light kit is securely attached to the mounting plate. Failure to properly secure all three assembly screws could result in the light fixture falling.

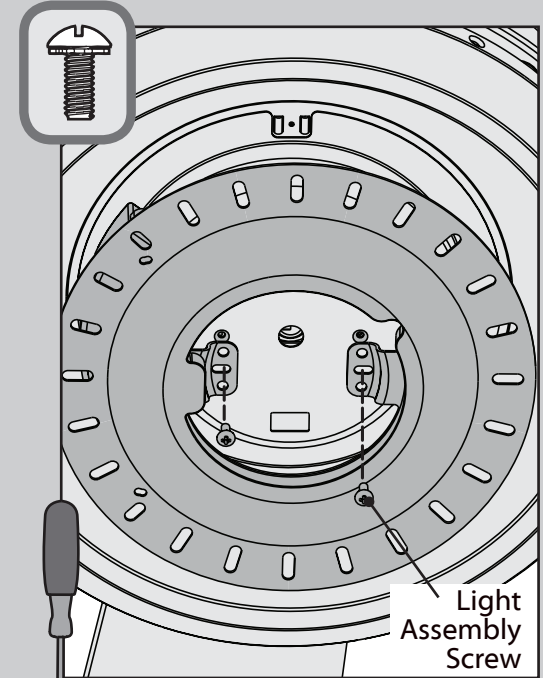


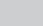


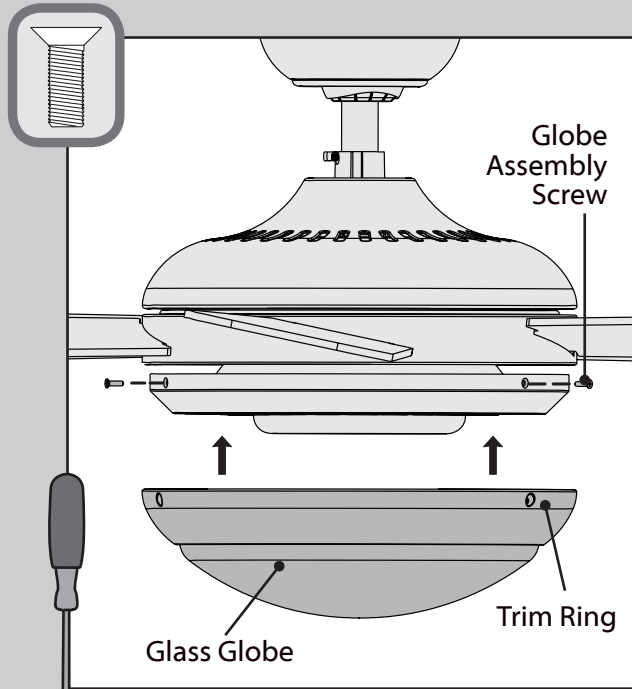
Align the two screw holes and install the switch housing assembly screws, found in the  hardware bag.



Connect the the 2-pin plugs from the switch housing and the LED assembly. Push excess wiring into the switch housing through the wire slot.



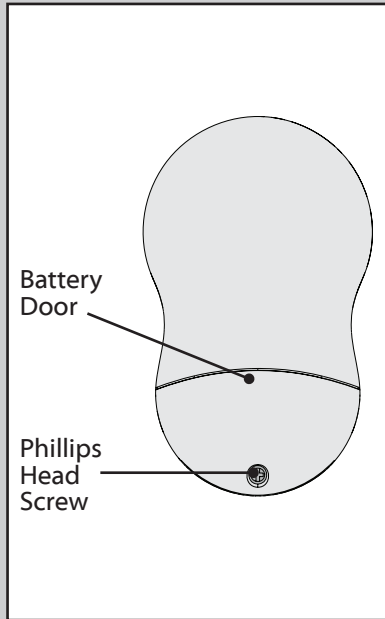
Attach the LED assembly to the switch housing by installing two light assembly screws, found in the  hardware bag, through the slots, not the screw holes.



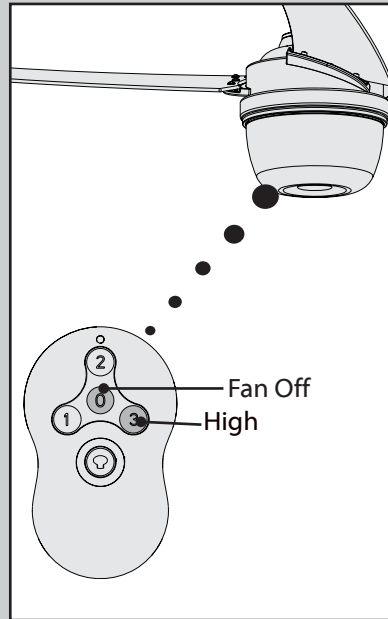
⊗ Place the glass globe into the globe trim ring. Align the three holes in the trim ring with the three holes in the light kit. Install and securely tighten all three globe assembly screws, found in the ☰ hardware bag.



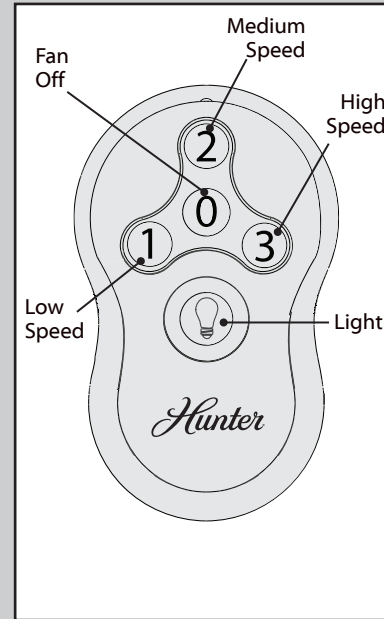
See next page for fan operation instructions. ➔



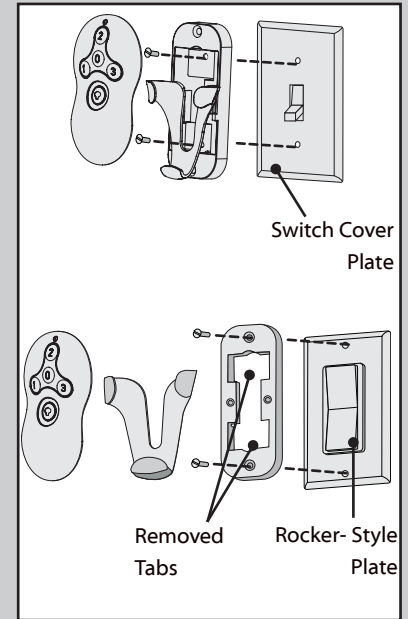
To access the battery compartment, remove the small Phillips head screw that secures the battery door to the transmitter assembly. The battery should be installed with the positive (+) side up. Replace with a CR2032 battery when necessary.



Note: The remote must be paired before the fan will operate.
Within 3 minutes of restoring power to the fan, press both the Fan Off button and the High button for at least 4 seconds. Your fan will turn on low to indicate successful syncing. If it does not, turn off power to your fan, wait 1 minute then try again. If using the transmitter with multiple fans, repeat this process for each fan.



To turn on fan, press a fan speed button. Speeds range from off (0) to high (3). Quickly press the Light button to turn the lights off and on.

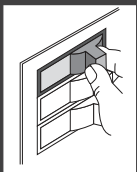


To install the transmitter cradle, remove the two screws holding the switch cover plate. Do not remove the cover plate. Orient the cradle by lining up the two mounting holes with those on the cover plate. Insert and tighten the screws. Do not over tighten.

Note: For rocker-style cover plates, break off the tabs by pushing outward.

Turn Power

ON

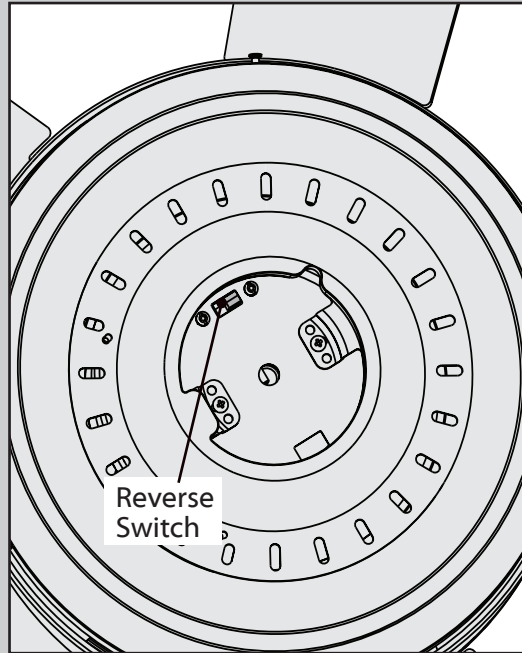


Safe-Exit

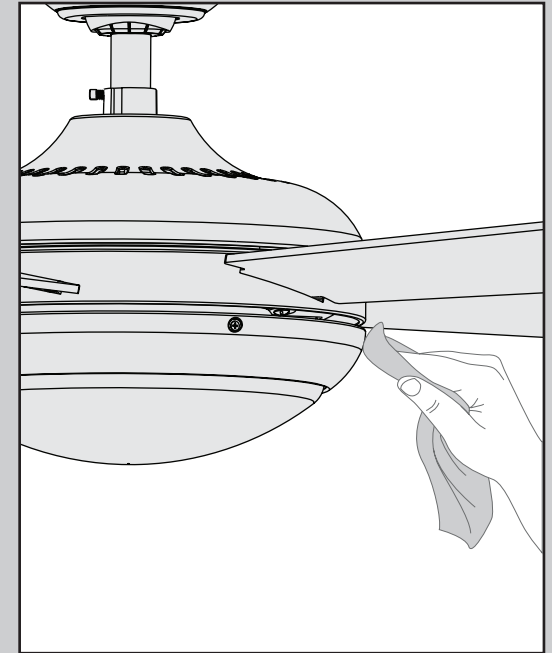
The Safe-Exit Program gives you about thirty seconds of light when you turn the lights off to exit the room before the lights go out. To use Safe-Exit:

- Press the Fan Off button for at least three seconds to initiate the Safe-Exit Mode.
- The lights will flash for visual confirmation.
- The lights will stay on 50% brightness for 15 seconds and then begin to dim. After a total of 30 seconds, the lights will be completely off.

Note: For CFL lighting, the lights will stay on 100% brightness for 30 seconds. After a total of 30 seconds, the lights will be completely off.



To switch the direction of air flow, remove the globe on the fan by removing the globe assembly screws, the glass, and trim ring. Flip the black switch to change the direction.



For cleaning the fan, use soft brushes or cloths to prevent scratching. Cleaning products may damage the finishes.

Fan doesn't work

- Make sure power switch is on.
- Pull the pull chain to make sure it is on.
- Push the motor reversing switch firmly left or right to ensure that it is engaged.
- Check the circuit breaker to ensure the power is turned on.
- Make sure the blades spin freely.
- Turn off power from the circuit breaker, then loosen the canopy and check all the connections according to the wiring diagram on page 9.
- Check the plug connection in the switch housing.

Excessive wobbling

- Tighten all of the blade and blade iron screws until they are snug.
- Turn the power off, support the fan carefully, and check that the hanger ball is properly seated.

Noisy Operation

- Tighten the blade and blade iron screws until they are snug.
- Check to see if any of the blades are cracked. If so, replace all of the blades.

Lights dim when turned on or do not turn on at all.

- Make sure the wattage of the light bulbs installed matches the specifications on the light sockets.

Remote control of fan is erratic

- Make sure the battery is installed correctly.
- Install a fresh battery.

Transmitter only works when held at close range

- Install a fresh battery.

WARRANTY STATEMENT

I - TERM AND PROOF OF WARRANTY

- Hunter Ceiling Fans are warranted by Hunter Fan do Brasil for a period of **1 (one) year** from the date of purchase by the first consumer, this being:
 - 3 (three) months of statutory warranty; and
 - 9 (nine) months of contractual warranty provided by Hunter Fan do Brasil.
- In order to demonstrate proof of the warranty period, the consumer must present this Warranty Statement, duly completed, together with the 1st. (first) copy of the bill of sale (or equivalent fiscal document identifying the product), in the manner and at the location described in Section V below.
It is therefore necessary to ensure that the retailer completes the bill of sale correctly.

II - EXTENDED WARRANTY

1. As evidence of the high quality of Hunter Ceiling Fans, Hunter Fan do Brasil offers an Extended Warranty free of charge for:

- Three (3) years on the product**, counted from the date of purchase by the first consumer, this being:
 - 3 (three) months of statutory warranty; and
 - 33 (thirty three) months of contractual warranty provided by Hunter Fan do Brasil.
 - 10 (ten) years limited warranty on possible defects with the product motor**, counted from the date of purchase by the first consumer, this being:
 - 3 (three) months of statutory warranty; and
 - 117 (one hundred and seventeen) months of contractual warranty provided by Hunter Fan do Brasil.
2. The Extended Warranty shall only be offered if the consumer registers the installation of the product on the Hunter Fan do Brasil internet site (www.hunterfan.com.br) and correctly complete all required fields, including the date of issue of the 1st (first) copy of the bill of sale (or equivalent tax document) and details of the "Certified Hunter Installer Certification Code" (*).
3. The Extended Warranty **DOES NOT COVER** the following parts:
- Capacitors;
 - Fan blades and blade irons;
 - Glass fixtures and parts thereof;
 - Controls and remote controls;
 - Ceiling fan mounting system.

*The "Certified Hunter Installer Certification Code" will be provided by the "Certified Hunter Installer" at the time that the product is installed.

4. **You can locate a "Certified Installer Hunter" near your residence at the Hunter Fan do Brasil internet site (www.hunterfan.com.br) or at Hunter Ceiling Fan retail outlets.**

5. **Installation costs charged by a Certified Installer Hunter are not included in the price of the product.**

III - SCOPE OF THE WARRANTY

- This contractual warranty is provided for a Hunter Ceiling Fan acquired in Brazilian territory and is offered exclusively against any defects arising from the design and manufacture, or any other defects in quality, that render the product unfit or unsuitable for normal use.
- The Contractual Warranty and the Extended Warranty do not cover product accessories, including controls, remote controls, fan blades, blade holders, glass lamps and bulbs.
- Any extended warranty that may be contracted by the consumer does not place any obligation on Hunter Fan do Brasil, since such a contract is executed between the consumer and the insurer.

IV - WARRANTY EXCLUSIONS

- The warranty **does not cover** the following items, which are therefore the consumer's responsibility:
 - damage to the product or its accessories due to accident, abuse, or improper and incorrect handling;
 - damage to the product as a result of its use for purposes other than those specified by Hunter Fan do Brasil, or that are incompatible with the purpose of the product;
 - improper installation, or installation on a structure that is not suitable to support the product, or that exposes an electrical product to adverse conditions;
 - defects in the electrical parts of the product caused by deficiencies in external wiring or caused by the local electrical supply company.
 - damages resulting from accidents during transportation and storage or due to mishandling.

V - PROCEDURE FOR WARRANTY CLAIMS

- Warranty repairs shall only be performed by an Authorized Service Center appointed by Hunter Fan do Brasil, which provides specialized technicians and original parts, guaranteeing the service provided.
- A list of Authorized Service Centers can be found at the Hunter Fan do Brasil internet site: www.hunterfan.com.br.
- The cost of transporting the product to the Authorized Service Center, regardless of the reason, shall be borne by the consumer.

VI - RESCISSION OF THE WARRANTY

- Repair of a product by unauthorized persons or repair services that are not accredited by Hunter Fan do Brasil shall immediately rescind the warranty.
- Hunter Ceiling Fans are solely and exclusively designed for domestic use. Their use in non-domestic, industrial or commercial applications shall signify immediate rescission of the warranty.

VII - EXCLUSIONS FROM THE WARRANTY

- This warranty **DOES NOT COVER**:
 - light bulbs;
 - the cost of installing the product;
 - calls related to information that is contained in the Owner's Manual, or is shown on the product itself. These service calls shall be charged if they occur;
 - damage to plastic parts;
 - implicit warranties - This warranty replaces all other warranties, implicit or implied, and no representative or third party is authorized to assume any other obligation relating to the sale of Hunter ventilators on behalf of Hunter Fan do Brasil.
- Hunter Fan do Brasil shall not be liable for any direct, indirect or consequential damages resulting from the use or performance of the product, nor other losses relating to material damage or pecuniary losses due to non-compliance with the instructions in the Owner's Manual.

VIII - SPECIAL RECOMMENDATIONS

- Before operating the product, **carefully read the operating instructions and/or installation instructions shown on the product, the packaging, or contained in the respective manual. Follow them closely. They are provided for your safety.**
- Make sure that the voltage to be used is the same as that shown on the appliance (127 V or 220 V). Ensure that the electrical installation at the location is correct and in perfect order, and also that the electrical frequency is correct for the country in which the product is being used.
- In order to avoid damage, keep the product clean and properly stored in an environment protected from the weather (rain, wind, humidity, solar radiation, etc.).
- Do not insert any foreign objects into the product, especially when it is in operation, in order to avoid accidents.

IX - MANUFACTURER, IMPORTER AND PRODUCT INFORMATION

Manufacturer: Hunter Fan Company
 Importer: Hunter Fan do Brasil Ltda.
 011.2985.7454
 CNPJ: 20.089.903/0001-06
contatobrasil@hunterfan.com
 Product Model:
 Lot:
 Certified Installer Installation Code:
 Consumer:
 Personal Tax Number ("CPF"):
 Place of purchase:
 Date of Purchase:
 Bill of Sale or Tax Invoice Number:

Free Manuals Download Website

<http://myh66.com>

<http://usermanuals.us>

<http://www.somanuals.com>

<http://www.4manuals.cc>

<http://www.manual-lib.com>

<http://www.404manual.com>

<http://www.luxmanual.com>

<http://aubethermostatmanual.com>

Golf course search by state

<http://golfingnear.com>

Email search by domain

<http://emailbydomain.com>

Auto manuals search

<http://auto.somanuals.com>

TV manuals search

<http://tv.somanuals.com>