

REVOLUTIONS

BY *Hunter*

Piccolo

Owner's Manual



- Assembly
- Installation
- Operation

Product: Ceiling Fan
Trademark: Revolutions
Quantity: 1 Piece
Electrical Rating: 120V ~ 60Hz
Weight ± 2 lbs: 10 lbs (4.5 kg)



Congratulations!

You have chosen the best. Your new Revolutions ceiling fan will provide you with many years of comfort and satisfaction.



Read and Save These Instructions
This product conforms to UL Standard 507.

⚠ WARNINGS

- w.1 - To reduce the risk of personal injury, attach the fan directly to the support structure of the building according to these instructions, and use only the hardware supplied.
- w.2 - To avoid possible electrical shock, before installing or servicing your fan, disconnect the power by turning off the circuit breakers to the outlet box and associated wall switch location. If you cannot lock the circuit breakers in the off position, securely fasten a prominent warning device, such as a tag, to the service panel.
- w.3 - To reduce the risk of fire, electrical shock, or motor damage, use only Hunter Speed Controls.
- w.4 - To reduce the risk of personal injury, do not bend the blade brackets when installing the blade brackets, balancing the blades, or cleaning the fan. Do not insert foreign objects in between rotating fan blades.

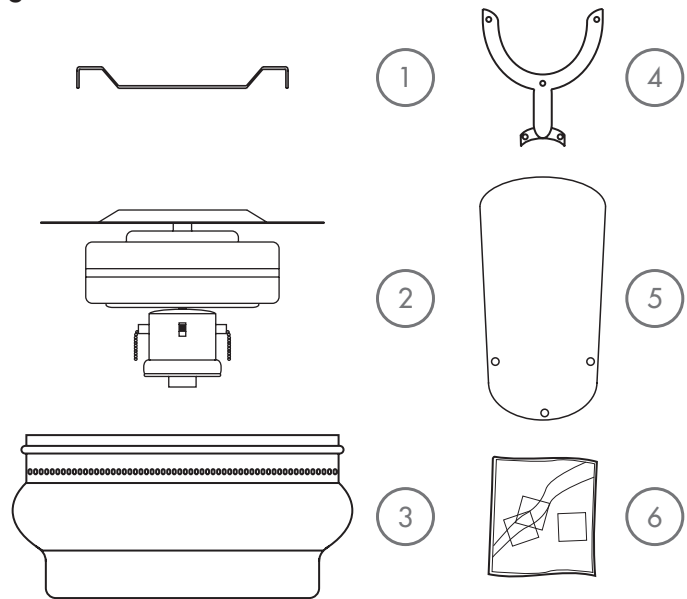
⚠ CAUTIONS

- c.1 - All wiring must be in accordance with national and local electrical codes ANSI/NFPA 70. If you are unfamiliar with wiring, use a qualified electrician.
- c.2 - Use only Hunter replacement parts.

Unpacking the Fan

1. Unpack your fan and check the contents. Do not discard the box. If warranty replacement or repair is ever necessary, the fan should be returned in its original packaging. Remove all parts and hardware. Do not lay the motor housing on its side; the decorative casing may shift.
2. Examine all parts. You should have the following:

1. Mounting Bracket
2. Motor
3. Motor Housing
4. Blade Irons
5. Blades
6. Parts Pack Containing:
 - a. Mounting bracket hardware (extra screw and washer, wire nuts, extra motor screw, and washer)
 - b. Noise isolators, blade nuts, blade screws



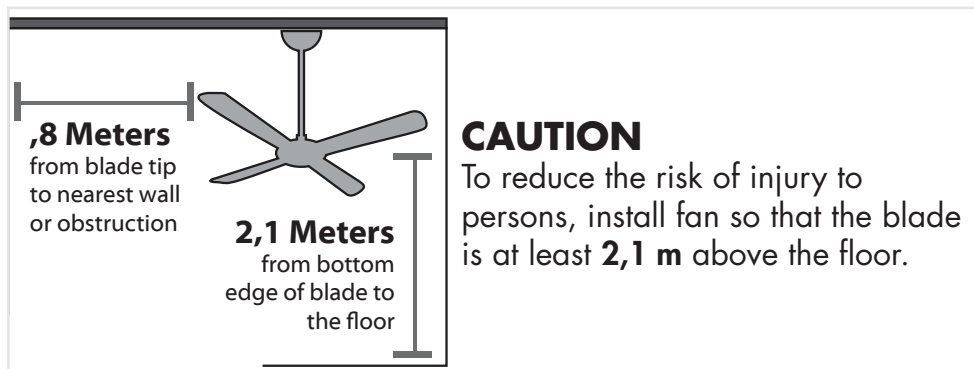
Note: Some Revolutions fan models will have slightly different parts than shown here, depending on the model. Basic installation procedures are similar for all fan models.

Tools and Materials Required

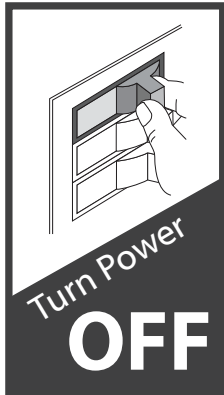
- Phillips screw driver
- Flat Head screw driver
- Adjustable pliers or wrench
- Step Ladder
- Wire Cutter
- Electrical tape



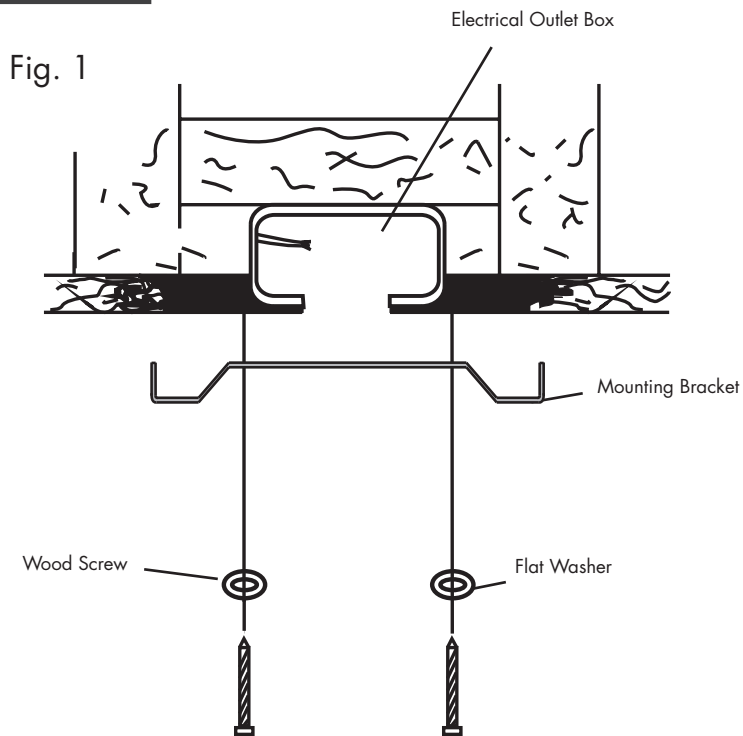
Assessing the Installation Location



Install Mounting Bracket



1. To avoid possible electrical shock, be sure electricity is turned off at the main power panel before wiring. All wiring must be in accordance with national and local electrical codes, and the ceiling fan must be grounded as a precaution against possible electrical shock.
2. Use mounting hardware.
3. The mounting bracket should be installed to the wooden structure of the ceiling joist with the two provided wood screws (Fig. 1).



CAUTION: Electrical box must be wired to NOM general use wall switch. To reduce the risk of injury, turn off power at wall switch or main fuse or circuit breaker before attempting installation or servicing.

WARNING: To avoid fire or shock, follow all wiring instructions carefully. Any electrical work not described in these instructions should be done or approved by a licensed electrician.

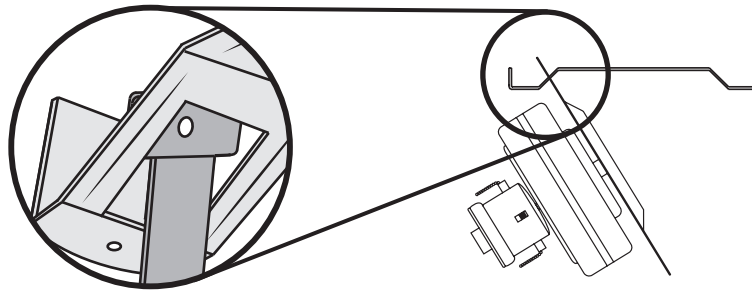
Mounting the Fan

WARNING: The fan must be hung with a least 2,1 m of clearance from floor to blades.

1. Remove the three pre-installed screws from the motor hanging bracket. Keep the screws.
2. Slide the narrow end of the motor hanging bracket into the corresponding cut-out in the mounting bracket allowing the fan to hang (Fig. 2).

WARNING: To avoid damaging the blade arms and blades, do not install either until the fan is fastened to the ceiling. To avoid motor shift, handle fan by downrod or switch housing only.

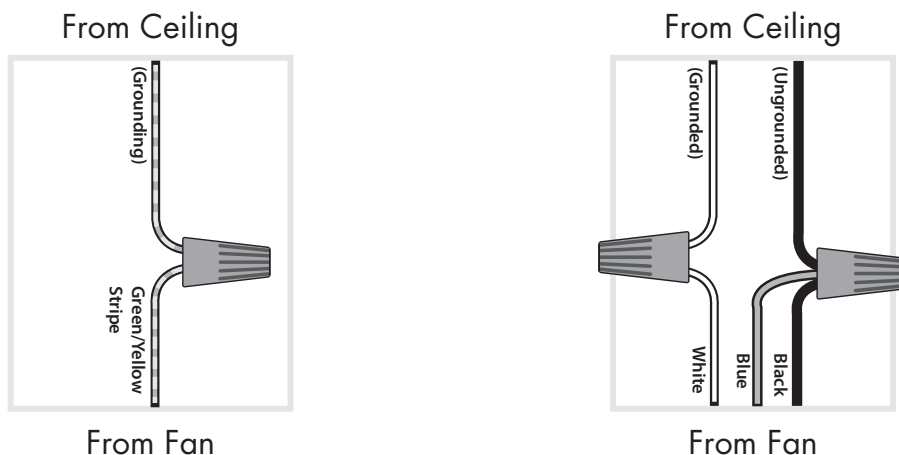
Fig. 2



Wiring the Fan

1. Four wires coming from the top of the fan (Fig. 3):
 - Black: "Hot" Power for the fan
 - White: "Common" For the fan and light
 - Blue: "For Light Kit Connection" for the light kit
 - Green with yellow stripe: Ground Wire
2. The white wire from the fan should be connected to the white wire in the ceiling, using a wire nut to make the connection.
3. The black wire from the fan should be connected to the black wire in the ceiling, using a wire nut to make the connection.
4. The green with yellow stripe wire from the fan should be connected to the ground wire in the ceiling, using a wire nut to make the connection.
5. The blue wire from the fan should be connected to the black wire from the ceiling, using a wire nut to make the connection.
6. Tuck your completed wiring back up into the electrical box.

Fig. 3



Note: To connect the wires, hold the bare metal leads together and place a wire connector over them, then twist clockwise until tight.

Assembling the Motor Housing

1. Raise the fan so that the motor bracket meets the mounting bracket. Align the three screw holes.
2. Install the screws you kept from "Mounting the Fan." (Fig. 4)
3. Lift the Motor Housing over the fan motor. Align the screw holes in the motor housing with the screw holes in the mounting bracket (Fig. 5A).
4. Using the four screws you kept from "Installing the Mounting Bracket," install the motor housing onto the fan (Fig. 5B).

Fig. 4

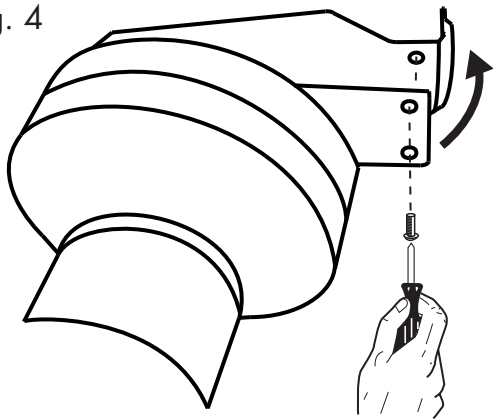


Fig. 5A

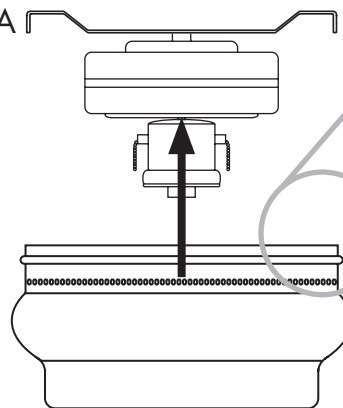
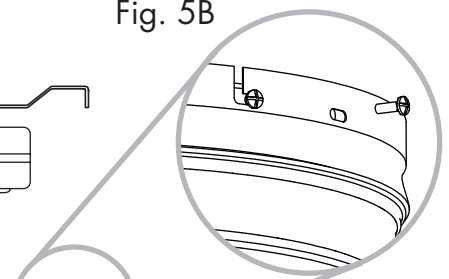


Fig. 5B



Installing the Blades

1. Attach blade irons to blades using the blade iron screws, washers, and nuts provided (Fig.6A).
2. Check the motor for plastic shipping stabilizer tabs, and remove them if they are present.
3. Attach blade assembly to motor using the provided motor screws.
4. Tighten screws securely (Fig.6B).

Fig. 6A

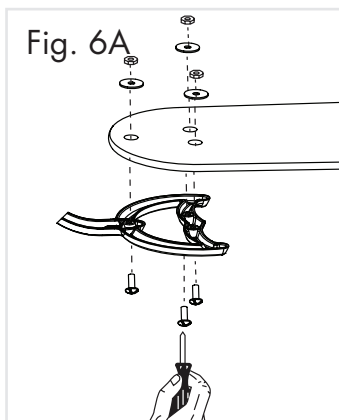
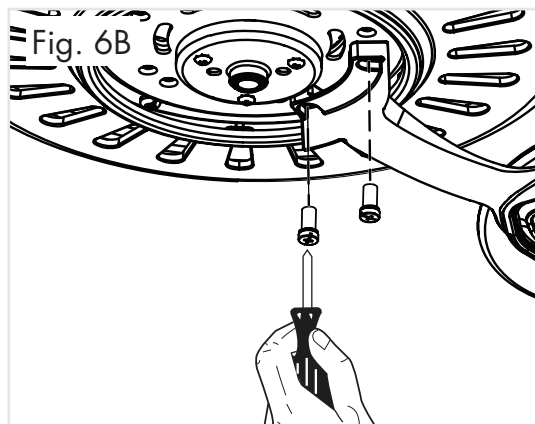


Fig. 6B



Assembling the Light Kit

1. Remove the thumbscrews from the light kit.
2. Install a 60 watt max bulb into the socket.
3. Raise the globe to the light kit.
4. Reinstall the thumbscrews. Tighten screws securely (Fig. 7A).
5. Assemble decorative fob and extension chains from hardware bag to the fan pull chains by inserting end of chain into chain coupling. Confirm chains are held by lightly pulling both chains in coupling (Fig. 7B).

Fig. 7A

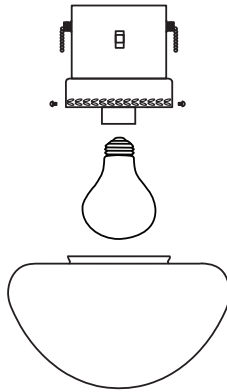
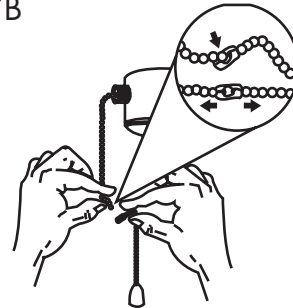
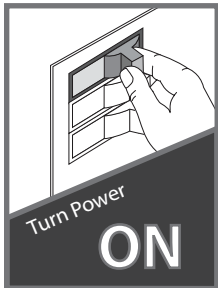


Fig. 7B



Operating the Fan



1. Turn power on at the the main fuse box.
2. Turn on the wall switch.

Fan Pull Chain Speed Control:

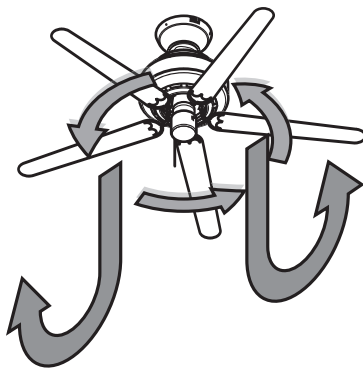
1. High
2. Medium
3. Low
4. Off

Light Pull Chain Control:

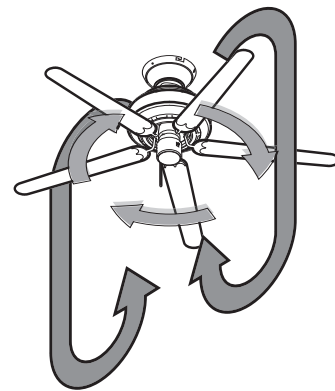
1. Light On
2. Light Off

Reversing the Fan

Turn the fan off and let the blades stop before changing the direction of the air flow. Engage the reverse switch to change the blade direction.



In warm weather, ceiling fans work best by blowing air downward (counterclockwise) providing the room with a cool breeze.



In cool weather, set your fan to draw air upward (clockwise) to distribute the warmer air trapped at the ceiling without causing a draft.

Troubleshooting

FAN WILL NOT START:

1. Check all fuses or circuit breakers. Replace if missing.
2. Turn off electrical power and check all wire connections to fan and in the wall control.

FAN IS NOISY

1. Use of standard light rheostat or continuously variable fan speed wall control will always cause harmonic distortions or a humming noise. Many fan motors do not work quietly with solid state variable controls. If a quiet wall control is desired use only 3-speed NOM approved wall controls.
2. Always allow a few days of 'break in' time for any new fan at medium or high speed. Try to diagnose the exact location of the noise by listening carefully from several sides (Blades, Motor, Light Kit, etc...).
3. Make sure all screws in the fan assembly are tight and properly threaded. If not, back out and retighten. Tighten these screws at least once a year because they may loosen slowly over time and cause a clicking noise.
4. Make sure mounting bracket is installed snugly to junction box.
5. Make sure wire nuts in switch housing or canopy are not rattling against each other or against wall of housing. Wrap with electrical tape if necessary.
6. Make sure the canopy is not touching the ceiling.
7. Make sure that the screws fastening blade arm to motor are tight.

FAN TURNS BUT DOES NOT MOVE MUCH AIR:

1. The fan may be running in reverse, so air is directed upward.
2. The room may contain items that obstruct the air flow.
3. The fan may be too small for size of the room.

FAN SHAKES OR WOBBLER

1. A small amount of movement is considered acceptable and should not be considered a defect.
2. Make sure mounting bracket is tight at junction box/ceiling with no movement at all. Tighten screws if necessary.
3. Make sure all screws holding the blades to the blade arm and blade arm to motor are tight. Make sure light kit/glass screws are tight.
4. Some fan movement is normal. However, interchanging an adjacent (side-by-side) blade pair may redistribute the weight and result in smooth operation.
5. Most fan wobble problems are caused when blade levels are unequal. Check this level by selecting a point on the ceiling above the tip of one of the blades. Measure this distance. Measurements deviation should always be within 1/8". Rotate the fan until the next blade is positioned for measurement. Repeat for each blade.

Maintenance

1. The fan's natural movements may cause some connections to loosen. A clicking or rattling noise is a certain sign of loosening screws. Check the support connections, brackets, and blade attachments twice a year, and tighten all screws as necessary. Make sure all screws attaching the glass to the fitter on the light kit are finger tight. Do not use a screw driver or pliers to tighten glass screws.
2. Clean your fan periodically. Use only a cloth dampened with a mild detergent solution. Never use solvents. Dust with a soft cloth or brush. Metal finishes are finished with a lacquer to prevent tarnishing.
3. You will never need to oil your fan. Its permanently sealed bearings will provide silent, trouble free operation for many years.
4. Make sure the power is turned off at the main fuse or circuit panel before you attempt any repairs.

Free Manuals Download Website

<http://myh66.com>

<http://usermanuals.us>

<http://www.somanuals.com>

<http://www.4manuals.cc>

<http://www.manual-lib.com>

<http://www.404manual.com>

<http://www.luxmanual.com>

<http://aubethermostatmanual.com>

Golf course search by state

<http://golfingnear.com>

Email search by domain

<http://emailbydomain.com>

Auto manuals search

<http://auto.somanuals.com>

TV manuals search

<http://tv.somanuals.com>