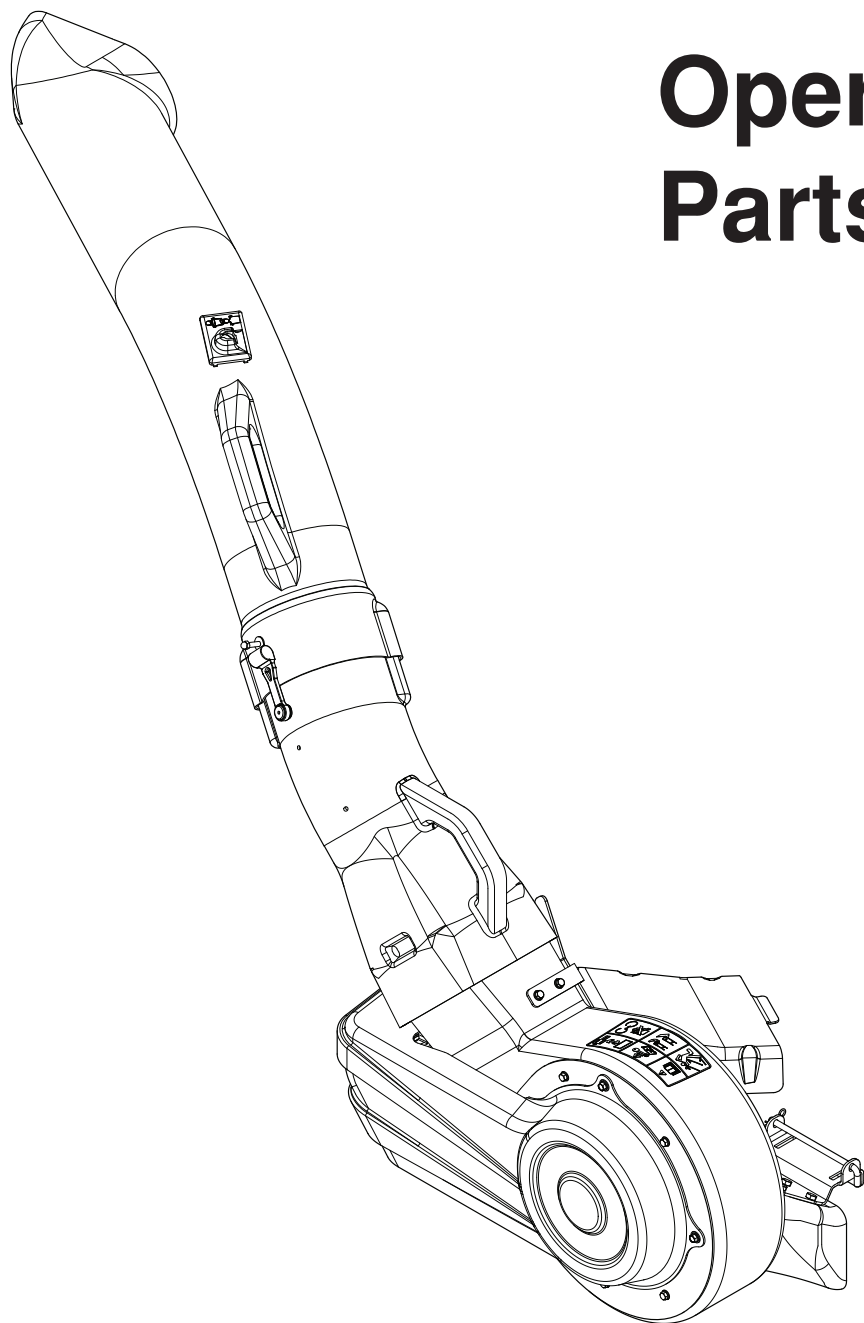


Husqvarna

Operator and Parts Manual



Blower Kit
52" Collection System
966529103

©2009 HTC. All Rights Reserved.
Beatrice, NE. Printed in U.S.A.

CONTENTS

SAFETY RULES.....	4
ASSEMBLY	6
OPERATION.....	11
TIPS FOR IMPROVED BAGGING	11
GENERAL RECOMMENDATIONS	11
STORAGE	11
REPAIR PARTS.....	12

CONGRATULATIONS on the purchase of a new collection system. It has been designed, engineered and manufactured to give you the best possible dependability and performance.

Should you experience any problem you cannot easily remedy, please contact your nearest authorized service center. They have competent, well-trained technicians and the proper tools for service and repairs.

Please read and retain this manual. The instructions will enable you to assemble and maintain your collection system properly. Always observe the **SAFETY RULES**.

KNOW YOUR BLOWER SYSTEM

READ THIS OPERATION MANUAL AND SAFETY RULES BEFORE ASSEMBLING OR OPERATING YOUR BLOWER SYSTEM. Compare the illustrations with the carton contents to familiarize yourself with the parts before starting the assembly. Study the operating instructions and safety precautions thoroughly to insure proper functioning of your Grass Catcher and to prevent injury to yourself and others. Save this manual for future reference.



WARNING!

Engine exhaust, some of its constituents, and certain vehicle components contain or emit chemicals known to the State of California to cause cancer and birth defects or other reproductive harm.



WARNING!

The operation of any mower can result in foreign objects thrown into the eyes, which can result in severe eye damage. ALWAYS wear safety glasses or eye shields before starting your mower and while mowing. Standard safety glasses are recommended or a wide vision safety mask for over spectacles.



WARNING!

Battery posts, terminals and related accessories contain lead and lead compounds, chemicals know to the State of California to cause cancer and birth defects or other reproductive harm. Wash hands after handling.

SAFETY RULES



SAFE OPERATION PRACTICES FOR RIDE-ON MOWERS



DANGER !

THIS CUTTING MACHINE IS CAPABLE OF AMPUTATING HANDS AND FEET AND THROWING OBJECTS. FAILURE TO OBSERVE THE FOLLOWING SAFETY INSTRUCTIONS COULD RESULT IN SERIOUS INJURY OR DEATH.

GENERAL OPERATION

- Read, understand and follow all instructions in the manual and on the machine before starting.
- Only allow responsible adults, who are familiar with the instructions, to operate the machine.
- Clear the area of objects such as rocks, stones, toys, wire etc., which could be picked up and thrown by the blades.
- Be sure the area is clear of all people and pets before mowing. Stop the machine if anyone enters the area.
- Never carry passengers or children even with blades off.
- Do not mow in reverse unless absolutely necessary. Always look down and behind before and while backing.
- Be aware of the mower discharge direction and do not direct it towards anyone. Do not operate the mower without either the entire grass catcher or the guard in place.
- Slow down before turning.
- Never leave the machine unattended when the engine is running. Always turn off the blades, set the parking brake, stop the engine and remove the key before leaving the machine.
- Turn off blades when not mowing.
- Stop engine before removing grass catcher or unclogging chute.
- Mow only in daylight or good artificial light.
- Do not operate the machine while under the influence of alcohol or drugs.
- Watch out for traffic when operating near or crossing roadways.
- Use extra care when loading and unloading the machine onto a trailer or truck.
- Data indicates that operators, age 60 years and above, are involved in a large percentage of riding mower-related injuries. These operators should evaluate their ability to operate the riding mower safely enough to protect themselves and others from serious injury.

- **DO NOT** operate mower with grass catcher, unless the front weights are installed.
- Keep machine free of grass, leaves or other debris buildup which can touch hot exhaust/engine parts and burn. Do not allow the mower deck to plow leaves or other debris which can cause buildup to occur. Clean any oil or fuel spillage before operating or storing the machine. Allow machine to cool before storage.

SLOPE OPERATION

Slopes are a major factor related to loss-of-control and tip-over accidents, which can result in severe injury or death. All slopes require extra caution. If you cannot back up the slope or if you feel uneasy on it, do not mow it.

DO

- Mow up and down slopes (10° Max.), not across.
- Remove obstacles such as rocks, tree limbs, etc.
- Watch for holes, ruts, or bumps. Uneven terrain could overturn the machine. **Tall grass can hide obstacles.**
- Use slow speed. Choose a low speed so that you will not have to stop while on the slope.
- Use extra care with grass catchers or other attachments. These can change the stability of the machine.
- Keep all movement on the slopes **slow** and **gradual**. Do not make sudden changes in speed or direction.
- Avoid starting or stopping on a slope. If tires lose traction, disengage the blades and proceed slowly **straight** down the slope.



WARNING!

DO NOT tow any trailers, etc. with this mower. They may jackknife or over turn causing damage to the mower and possibly serious injury to the operator.

SAFETY RULES



SAFE OPERATION PRACTICES FOR RIDE-ON MOWERS



DO NOT

- **Do not** turn on slopes unless necessary, and then, turn slowly and gradually downhill, if possible.
- **Do not** mow near drop-off, ditches, or embankments. The mower could suddenly turn over if a wheel is over the edge of a cliff or ditch, or if an edge caves in.
- **Do not** mow on wet grass. Reduced traction could cause sliding.
- **Do not** try to stabilize the machine by putting your foot on the ground.

CHILDREN

Tragic accidents can occur if the operator is not alert to the presence of children. Children are often attracted to the machine and the mowing activity. Never assume that children will remain where you last saw them.

- **NEVER allow children to operate the machine.**
- Keep children out of the mowing area and under the watchful care of another responsible adult.
- Be alert and turn off the machine if children enter the area.
- Before and when backing, look behind and **down** for small children.
- Never carry children. They may fall off and be seriously injured or interfere with safe machine operation.
- Use extra care when approaching blind corners, shrubs, trees, or other objects that may obscure vision.



CAUTION

In order to prevent accidental starting when setting up, transporting, adjusting or making repairs, always disconnect spark plug wire and place wire where it cannot contact spark plug.

SERVICE

- The operation of any mower can result in foreign objects thrown into the eyes, which can result in severe eye damage. Always wear safety glasses or eye shields while operating your mower or performing any adjustments or repairs. We recommend a wide vision safety mask over spectacles or standard safety glasses.
- Use extra care in handling gasoline and other fuels. They are flammable and vapors are explosive.
 - Use only an approved container.
 - Never remove gas cap or add fuel with the engine running.
 - Allow engine to cool before refueling.
 - Do not smoke.
 - Never refuel the machine indoors.
 - Never store the machine or fuel container inside where there is an open flame, such as a water heater.
- Never run a machine inside a closed area.
- Keep nuts and bolts, especially blade attachment bolts, tight and keep equipment in good condition.
- Never tamper with safety devices. Check their proper operation regularly.
- Keep machine free of grass, leaves, or other debris buildup. Clean oil or fuel spillage. Allow machine to cool before storing.
- Stop and inspect the equipment if you strike an object. Repair, if necessary, before restarting.
- Never make adjustments or repairs with the engine running.
- Grass catcher components are subject to wear, damage, and deterioration, which could expose moving parts or allow objects to be thrown. Frequently check components and replace with manufacturer's recommended parts, when necessary.
- Mower blades are sharp and can cut. Wrap the blade(s) or wear gloves, and use extra caution when servicing them.
- Check brake operation frequently. Adjust and service as shown in the Operator's Manual.

ASSEMBLY

UNPACKING INSTRUCTIONS

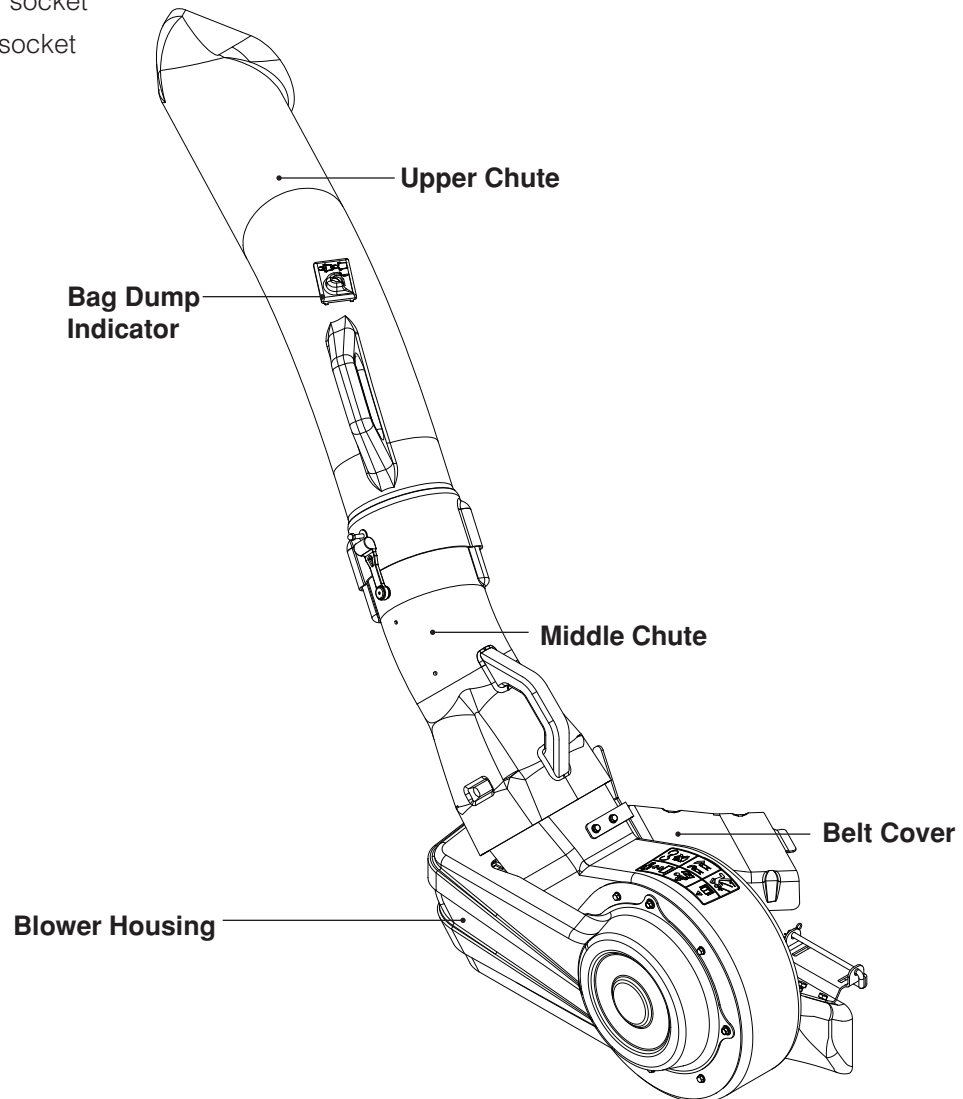
- Remove all parts and packing materials from carton.

TOOLS REQUIRED

- $\frac{7}{16}$ " Wrench or ratchet and socket
- $\frac{1}{2}$ " Wrench or ratchet and socket
- $\frac{3}{4}$ " Wrench
- Drill and $\frac{3}{8}$ " bit
- Torque Wrench
- Hacksaw
- Hammer

CONTAINER CONTENTS

- Blower Assembly
- Containers
- Belt
- Seal Fastening Kit
- Mounting Brackets
- Bag of Hardware



NOTE: When right hand (RH) and left hand (LH) are mentioned in this manual, it means when you are seated on the mower in the operator's position.



CAUTION

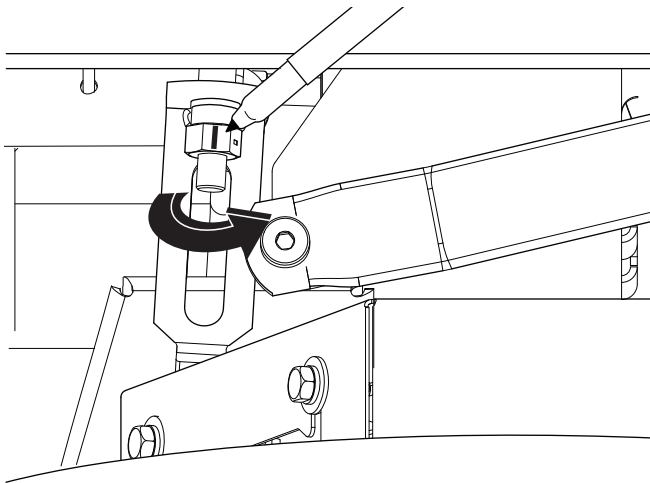
BEFORE ASSEMBLING GRASS CATCHER TO MOWER:

- Set parking brake.
- Place motion control levers in "NEUTRAL" position.
- Turn ignition key "OFF" and remove key.
- Make sure the blades and all moving parts have completely stopped.
- Disconnect spark plug and place wire where it cannot come in contact with plug.

ASSEMBLY

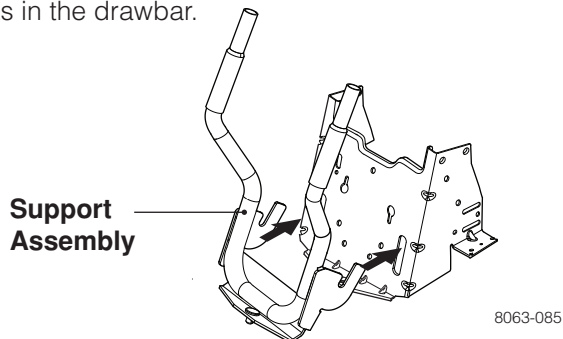
1 DECK ADJUSTMENT

1. Locate the rear adjustment nut on the discharge side of the deck. To assure the right tightness, mark the front side of the nut.
2. Using the mark as a guide, turn the nut clockwise five turns with a $\frac{3}{4}$ " wrench.

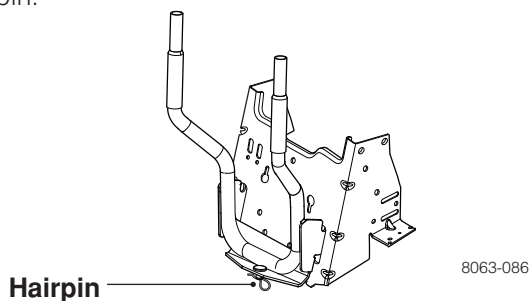


2 BAGGER SUPPORT ASSEMBLY

1. Slide the flanges of the support assembly in the slots in the drawbar.

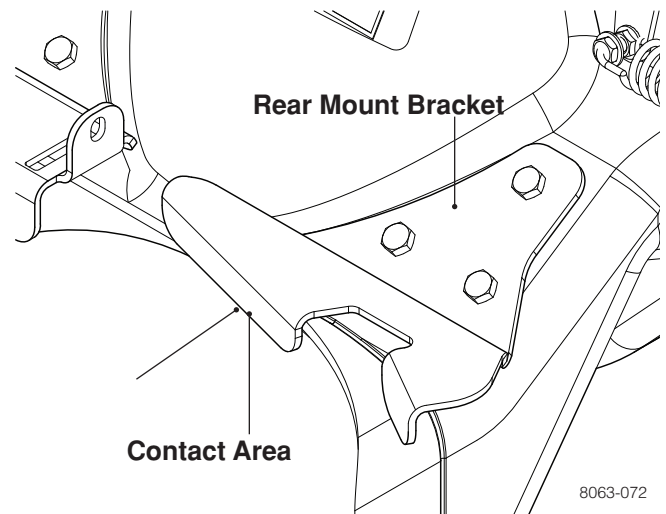


2. Pivot the assembly backwards to insert the bottom pin into the drawbar. Secure the bottom pin with a hairpin.

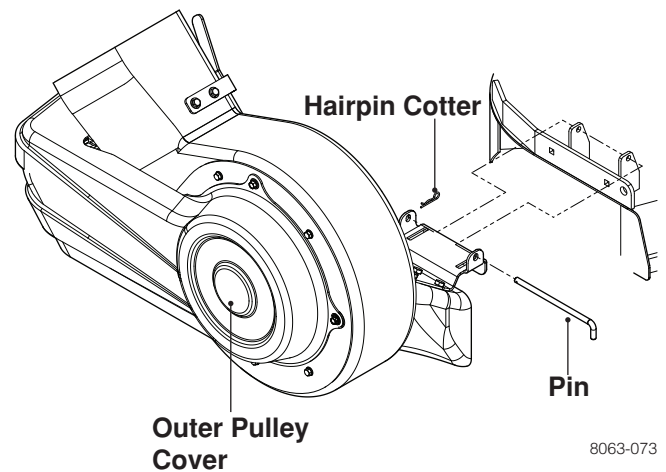


3 MOUNTING BLOWER ASSEMBLY

1. Remove the discharge chute from the deck.
2. Lower deck to the lowest cutting position.
3. Remove the right hand (discharge side) belt cover from the deck.
4. Position blower over the discharge tabs on the deck and set blower onto the deck.
5. Be sure the blower is sitting flush against the outside of the deck.



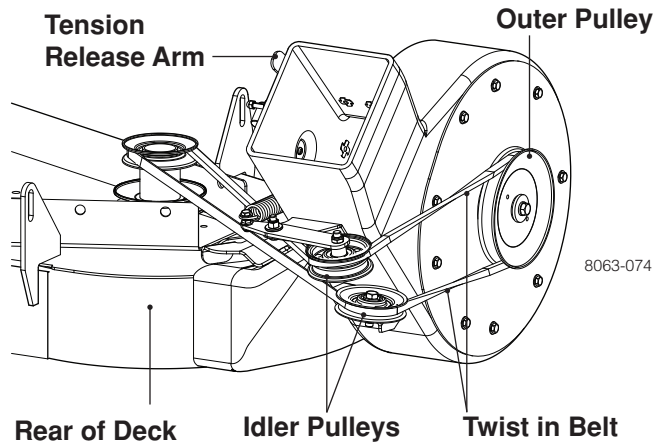
6. Install the front mount bracket to the deck with the pin and hairpin cotter supplied with the kit.



ASSEMBLY

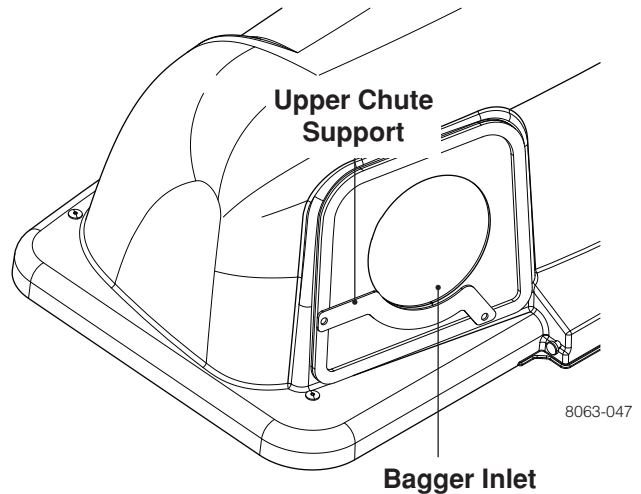
4 INSTALLING DRIVE BELT

1. Make sure the tension release lever is forward (disengaged).
2. Place the belt over the pulley on the deck. Refer to illustration for proper routing.
3. Move the tension release arm to the rear and engage in the latch.



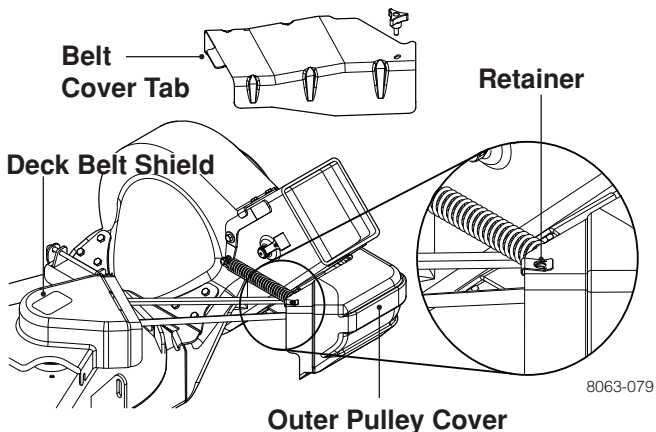
6 INSTALLING CHUTE SUPPORT

1. Position upper chute support against bagger inlet, flush at outer edges. See Illustration.
2. Using support as a template, drill two $\frac{3}{8}$ holes into bagger hood.

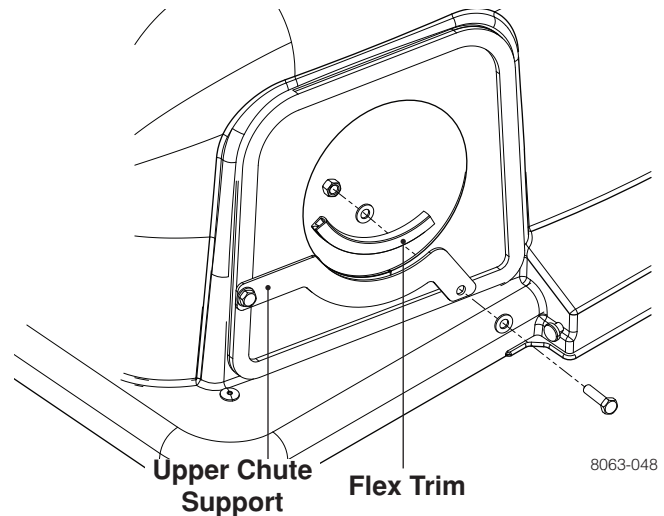


5 INSTALLING BELT COVERS

1. Place the deck belt shield on the deck over the drive pulley and secure with hardware removed from steel belt shield.
2. Place retainer on the outer pulley cover.
3. Align the tab end of the belt cover into the slot on the deck belt shield and the other end over the end of the outer pulley cover.
4. Secure with knob.



3. Secure upper chute support to hood with hex bolts, washers and nyloc nuts. Use the illustration for hardware orientation.
4. Slide the flex trim over the support and bagger edge.

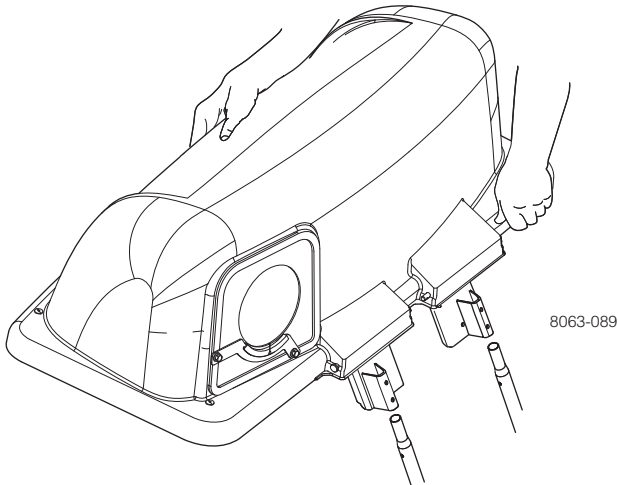


ASSEMBLY

7 MOUNTING COVER ASSEMBLY

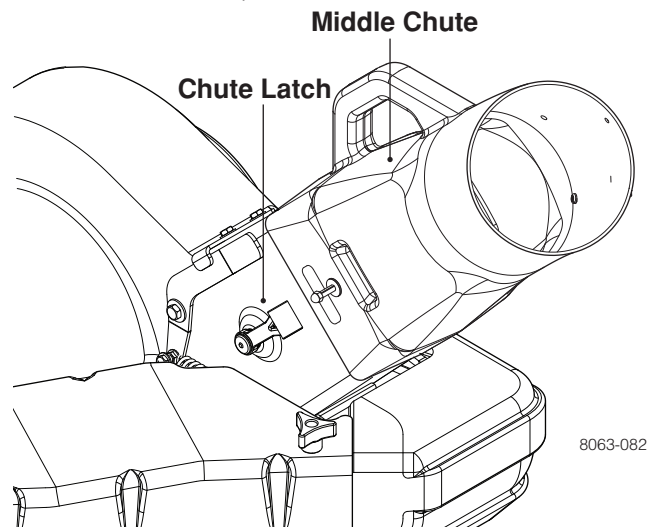
NOTE: Assistance from another person may ease mounting the cover assembly to mower.

1. Lift and rotate cover to align the cover brackets with support assembly tubes.
2. Slide the cover down over the support tubes until secure.



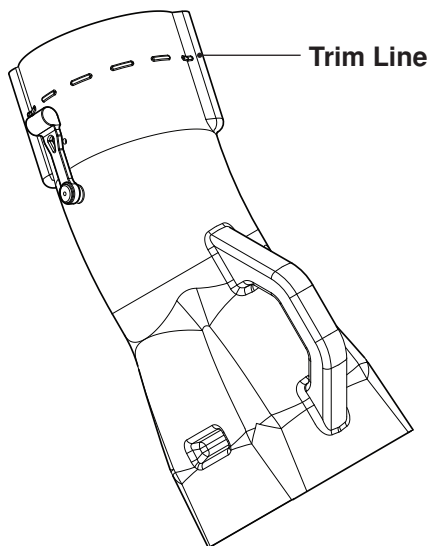
9 INSTALLING CHUTES

1. Place middle chute over the top end of the blower assembly. Stretch the chute latch on the blower assembly up and onto the acorn nut on the middle chute.
2. Slide the upper chute discharge end into the hood inlet and fit the lower end over middle chute. Secure as in Step 1.



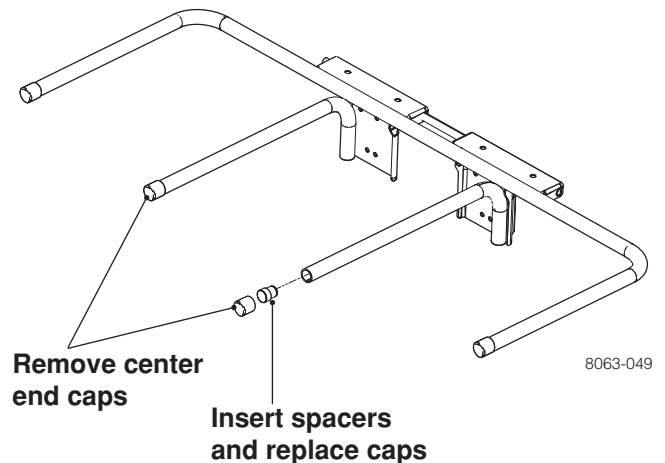
8 TRIMMING MIDDLE CHUTE

Using the hacksaw, trim along the dashed line.



10 INSTALLING SPACER PLUGS

Remove plastic end caps from the center two bag support arms. Fully insert spacer plugs into the ends of the support tubes. It may be necessary to tap the spacers into place with a hammer or mallet. Replace the plastic end cap back over the spacer. The additional extension will hold the hood more securely when latched.



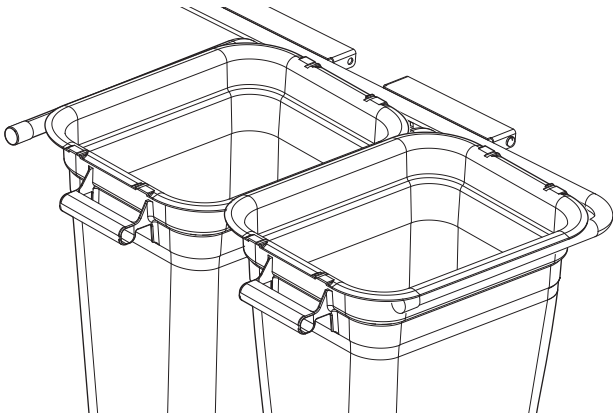
ASSEMBLY

11 CONTAINER INSTALLATION

1. Install containers on support frame, overlapping containers at center tube.

Note: One container should always overlap the other container at the center tube.

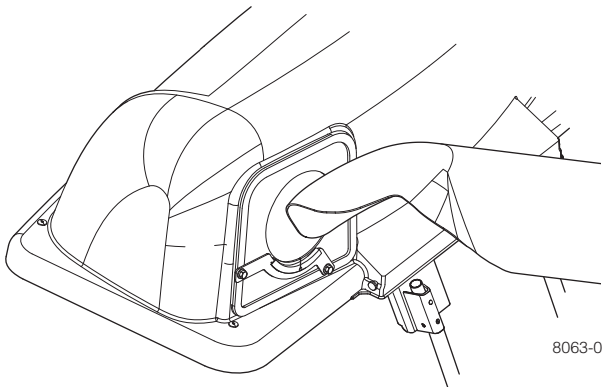
2. Close cover and lock latch handle over support tubes.



8063-093

12 CHUTE/HOOD INSTALLATION

Rotate the chute so the opening is facing downwards toward the container bags.



8063-091



CAUTION

BEFORE PERFORMING MAINTENANCE, SERVICE OR ADJUSTMENTS:

- Set parking brake.
- Place motion control levers in “NEUTRAL” position.
- Place clutch control in “DISENGAGED” position.
- Turn ignition key to “OFF” position.
- Make sure blades and all moving parts have completely stopped.
- Disconnect spark plug wire(s) from spark plug(s) and place wire where it cannot come in contact with plug.



CAUTION

- **DO NOT** operate mower with grass catcher partially installed.
- Disengage blades and stop engine before leaving mower seat to empty containers, unclogging chutes, etc.
- Close cover before starting.
- Disengage mower blades when crossing driveways or gravel surfaces and other areas where thrown objects could be a hazard.
- **DO NOT** attempt to vacuum cans or other potentially hazardous projectiles.



CAUTION

Grass catcher components are subject to wear, damage and deterioration, which could expose moving parts or allow objects to be thrown. Frequently check components and replace with manufacturer’s recommended parts, when necessary.

OPERATION

TIPS FOR IMPROVED BAGGING

Follow the mower operation instructions in the mower operator's manual.

When operating your grass catcher on a lawn where grass and leaf bagging equipment has not been used, you are picking up thatch and debris that has accumulated for long periods of time. The amount collected and the total time of operation may be greater than you will experience with regular use of your grass catcher.

- Always run throttle at full speed when bagging.
- Select a speed low enough to give good mower cutting performance, good quality cut and good bagging performance.

NOTE: It may be necessary to overlap width of cut to suit your conditions.

- If grass is extremely tall, it should be mowed twice. The first time relatively high, the second time to desired height.
- Use left hand side of mower for trimming.
- Plastic trash bags (3.0 mil, 30 gallon) can be inserted inside grass catcher containers for ease of debris disposal. To remove the plastic trash bags when full:
 - a. Disengage blades, shift into neutral, engage the parking brake and stop the engine.
 - b. Unlatch and raise cover.
 - c. Remove one container at a time by grasping container handles and pulling toward the rear, off of the tube rails.
 - d. With the container resting on the ground, close and secure the top of the plastic lawn bag.
 - e. Tip the container on its side and slide the filled bag from the container.
 - f. Install a new plastic lawn bag with the edges of the bag draped over upper lip of the container.
 - g. Repeat for other container.
 - h. Reinstall containers making sure right container overlaps left container at center supports.
 - i. Close cover and secure latches over center support tubes.

- Avoid cutting wet grass or in the morning while the dew is still heavy. Grass clippings collected under these conditions tend to be sticky and adhere to the walls of the flow path causing clogging.
- If the grass catcher fails to pick up cut grass or leaves, it is an indication that clogging has occurred in the system or that the grass catcher containers are full.
 - a. Disengage blades, place motion control levers in neutral position.
 - Unlatch and raise cover.
 - Slide out containers and dispose of clippings.
 - Replace containers, close cover, and latch.
 - b. Unlatch chutes and check for clogging.
 - Remove all debris in chute.
 - Reassemble and latch chutes.

GENERAL RECOMMENDATIONS

Always observe safety rules when performing any maintenance.

- Before each use check for loose fasteners.
- Clean unit thoroughly after each use.

BLADE CARE

For best results mower blades must be kept sharp. Replace bent or damaged blades.

- See BLADE CARE instructions in your mower operator's manual.

STORAGE

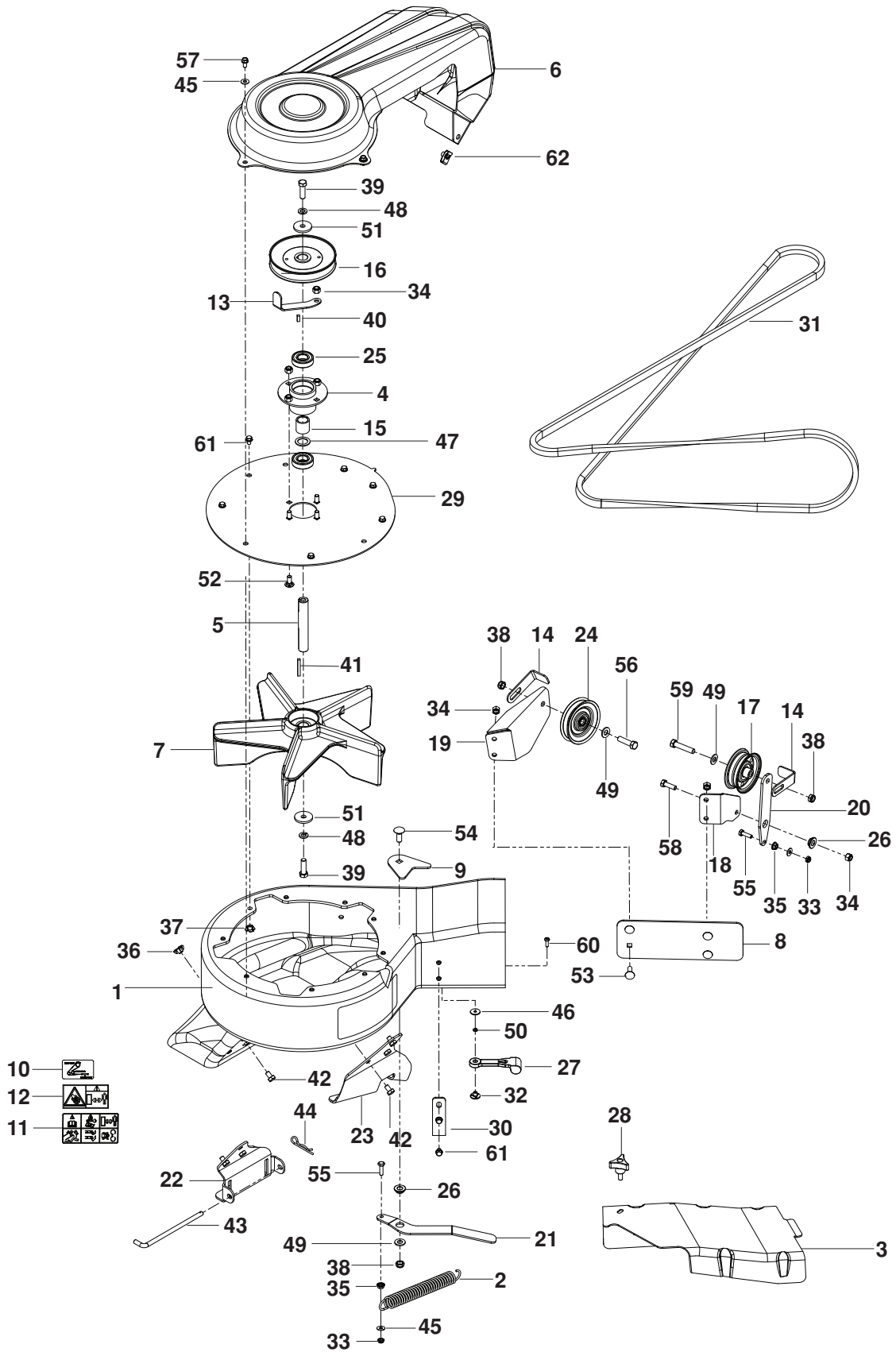
When grass catcher is to be stored for a period of time, clean it thoroughly, remove all dirt, grass, leaves, etc. Store in a clean, dry place.



CAUTION

Do not leave grass in bagger containers. Empty containers after each use and before storing. Failure to do so may result in spontaneous combustion which could develop into a fire.

REPAIR PARTS

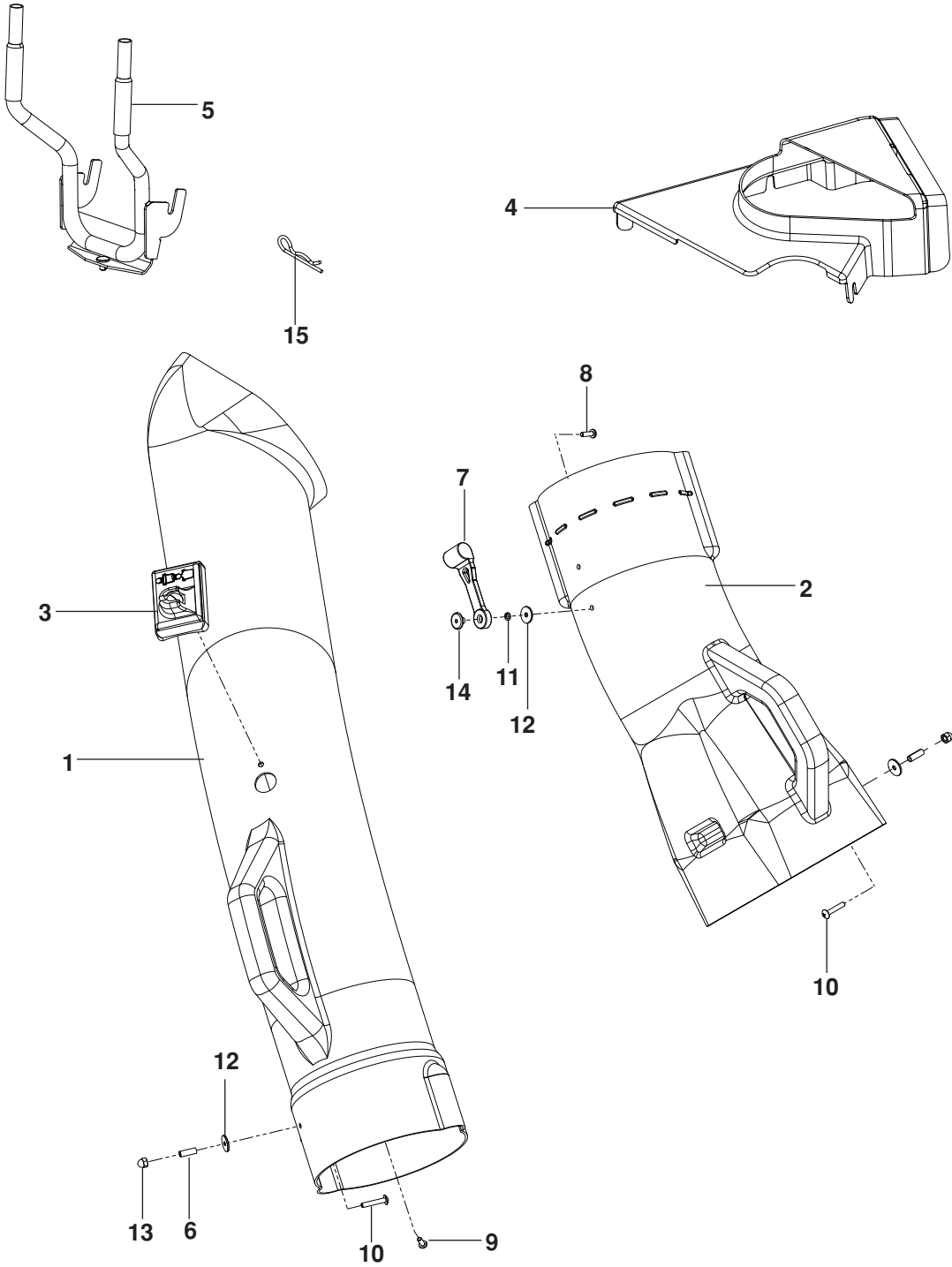


REPAIR PARTS

ITEM	PART NO.	QTY.	DESCRIPTION	ITEM	PART NO.	QTY.	DESCRIPTION
1..	539 130344....	1....	HOUSING w/ DECALS	32..	539 108089....	1....	WELD NUT, PLATED
2..	539 101977....	1....	TRACTION SPRING	33..	539 108120....	2....	NUT 1/4-20 HEX NYLOC
3..	539 130309....	1....	COVER, BELT	34..	539 990717....	9....	NUT 5/16-18 HEX NYLOC
4..	539 130295....	1....	HUB, BEARING	35..	539 108735....	2....	NUT 1/4-20 HEX FLANGE
5..	539 130316....	1....	SHAFT, IMPELLER	36..	539 130313....	6....	NUT 5/16-18 TEE
6..	539 130293....	1....	COVER, BELT	37..	539 130314..	11....	NUT 1/4-20 TEE
7..	539 130292....	1....	IMPELLER	38..	539 200282....	3....	NUT 3/8-16 HEX JAM NYLOC
8..	539 132122....	1....	PLATE, BACKING	39..	539 110321....	2....	BOLT, HEX 3/8-24 x 1 1/4 GR 8
9..	539 132124....	1....	PLATE, BACKING	40..	539 115667....	1....	KEY 3/16 x 1/2
10..	539 130349....	1....	DECAL, BELT ROUTING	41..	539 125229....	1....	KEY 3/16 x 1 1/2
11..	539 105785....	1....	DECAL, WARNING	42..	539 130315....	6....	HCS 5/16-18 x 1/2
12..	539 106741....	1....	DECAL, SEVERING	43..	539 130317....	1....	PIN
13..	539 131085....	1....	KEEPER, BELT, OUTER	44..	539 976988....	1....	HAIRPIN COTTER
14..	539 131087....	2....	KEEPER, BELT, REAR	45..	539 990055..	13....	WASHER 1/4 FLAT SAE
15..	539 130323....	1....	SPACER	46..	539 108084....	1....	WASHER, 3/16 x 3/4 x 16 GA
16..	539 130324....	1....	PULLEY	47..	539 910935....	1....	WASHER
17..	539 919078....	1....	PULLEY, IDLER	48..	539 990118....	2....	WASHER 3/8 SPLT LOCK
18..	539 130335....	1....	MOUNT, IDLER, UPPER	49..	539 990122....	3....	WASHER 3/8 SAE FLT
19..	539 130336....	1....	MOUNT, IDLER, LOWER	50..	539 109552....	2....	WASHER 3/16 LOCK
20..	539 130337....	1....	ARM, IDLER	51..	539 110323....	2....	WASHER, HARDENED
21..	539 130338....	1....	ARM, TENSION	52..	539 990316....	4....	RHSNB 5/16-18 x 3/4
22..	539 130339....	1....	BRACKET, MOUNT, FRONT	53..	539 990208....	4....	RHSNB 5/16-18 x 1
23..	539 130340....	1....	BRACKET, MOUNT, REAR	54..	539 990645....	1....	RHSNB 3/8-16 x 1
24..	539 113683....	1....	V-IDLER	55..	539 990643....	2....	HCS 1/4-20 x 7/8
25..	539 130296....	2....	BEARING	56..	539 990655....	1....	HCS 3/8-16 x 1 1/2
26..	539 130301....	2....	BUSHING	57..	539 108461....	3....	HCS 1/4-20 x 1/2
27..	539 108088....	1....	LATCH, HOOD	58..	539 990209....	1....	HCS 5/16-18 x 1
28..	539 104411....	1....	KNOB w/ STUD	59..	539 976949....	1....	HCS 3/8-16 x 1 3/4
29..	539 130341....	1....	PLATE, OUTER	60..	539 976952....	2....	SCREW 10-24 x .625 RD
30..	539 130346....	1....	KEEPER	61..	539 990302....	8....	SCREW 1/4 x 3/8 THD FRM
31..	575 621701....	1....	BELT	62..	539 104763....	1....	RETAINER, U TYPE

NOTE: ALL FASTENERS ARE GRADE 5 UNLESS OTHERWISE SPECIFIED.

REPAIR PARTS

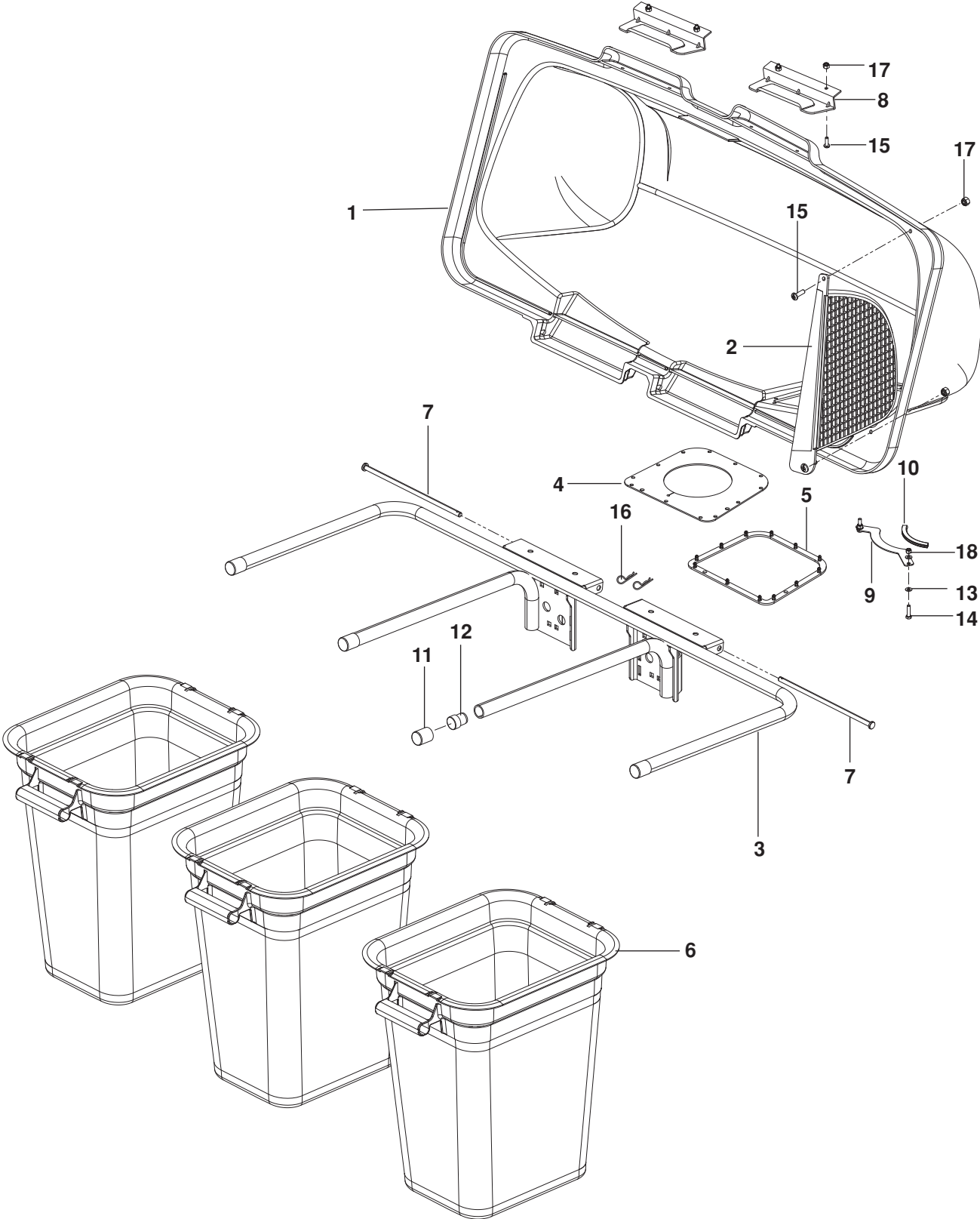


REPAIR PARTS

ITEM	PART NO.	QTY.	DESCRIPTION	ITEM	PART NO.	QTY.	DESCRIPTION
1..	522 739202....	1....	CHUTE, UPPER	9..	539 108081....	1....	SCREW 10-14 x 1/2 SPEC
2..	539 130294....	1....	CHUTE, MIDDLE	10..	539 108083....	2....	SCREW 10-24 x 1 1/8
3..	539 108082....	1....	INDICATOR, BAG DUMP	11..	539 109552....	2....	WASHER 3/16 LOCK
4..	575 467601....	1....	SHIELD, BELT	12..	539 108084....	3....	WASHER 3/16 x 3/4
5..	532 198128....	1....	SUPPORT TUBE ASSY	13..	539 108086....	2....	NUT 10-24 ACORN
6..	539 108085....	2....	SPACER, SPLIT	14..	539 108089....	1....	WELD NUT, PLATED
7..	539 108088....	1....	LATCH, CHUTE	15..	539 976989....	1....	HAIRPIN
8..	539 976952....	1....	SCREW 10-24 x .625 MACH				

NOTE: ALL FASTENERS ARE GRADE 5 UNLESS OTHERWISE SPECIFIED.

REPAIR PARTS



REPAIR PARTS

ITEM	PART NO.	QTY.	DESCRIPTION	ITEM	PART NO.	QTY.	DESCRIPTION
1..	532 195373....	1....	COVER	10..	539 112294....	1....	FLEX TRIM, BLACK
2..	532 192709....	1....	SCREEN, COVER	11..	539 108097....	4....	PLUG, TUBING END
3..	532 176990....	1....	FRAME, BAGGER	12..	522 801301....	2....	PLUG SPACER
4..	532 192550....	1....	SEAL, COVER	13..	539 990188....	4....	WASHER ⁵ / ₁₆ SAE FLAT
5..	532 192603....	1....	GASKET, COVER	14..	539 990627....	2....	HCS ⁵ / ₁₆ -18 x 1 ¹ / ₄
6..	532 400226....	3....	CONTAINER, SOFT BAG	15..	539 976952....	6....	SCREW #10-24 x ⁵ / ₈
7..	532 192786....	2....	PIN, HINGE	16..	539 108096....	2....	HAIR PIN
8..	532 130895....	2....	HANDLE, BAGGER COVER	17..	539 976977..	14....	NUT #10-24 CROWNLOCK
9..	539 110234....	1....	SUPPORT, HOSE	18..	539 990717....	2....	NUT ⁵ / ₁₆ -18 HEX NYLOC

NOTE: ALL FASTENERS ARE GRADE 5 UNLESS OTHERWISE SPECIFIED.

Free Manuals Download Website

<http://myh66.com>

<http://usermanuals.us>

<http://www.somanuals.com>

<http://www.4manuals.cc>

<http://www.manual-lib.com>

<http://www.404manual.com>

<http://www.luxmanual.com>

<http://aubethermostatmanual.com>

Golf course search by state

<http://golfingnear.com>

Email search by domain

<http://emailbydomain.com>

Auto manuals search

<http://auto.somanuals.com>

TV manuals search

<http://tv.somanuals.com>