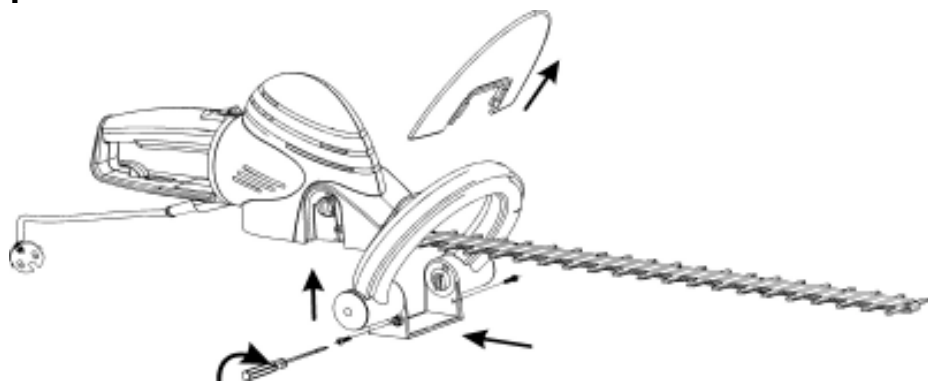


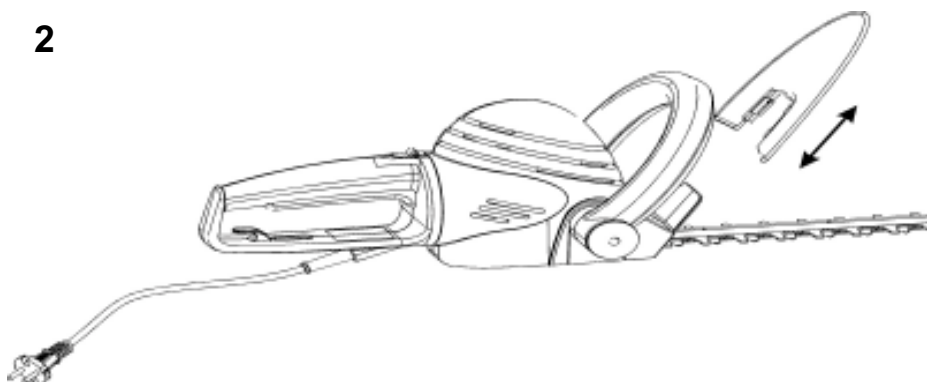


500HD 56EL
600HD 60EL

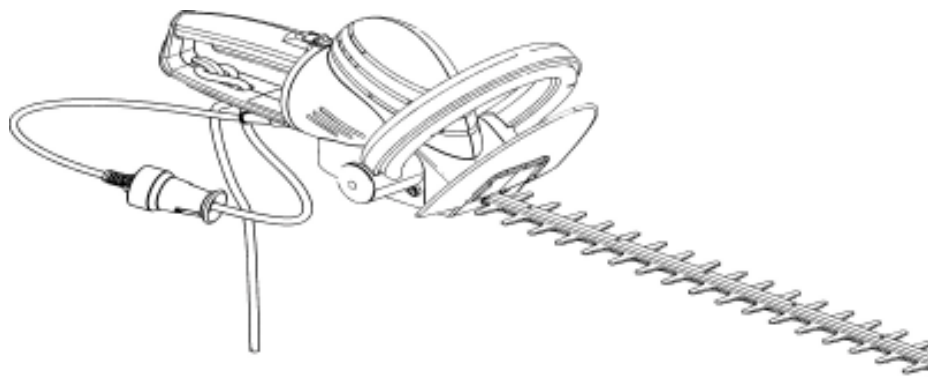
1



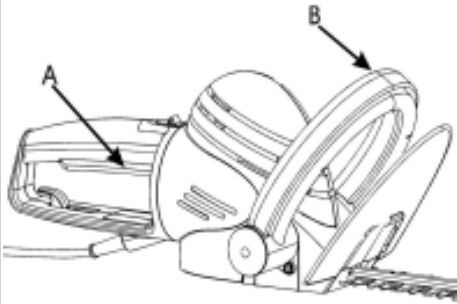
2



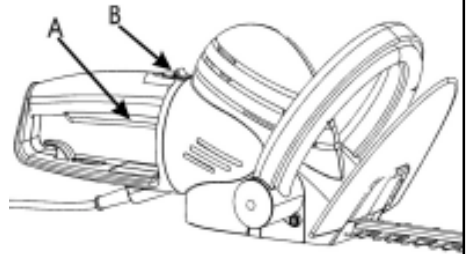
3



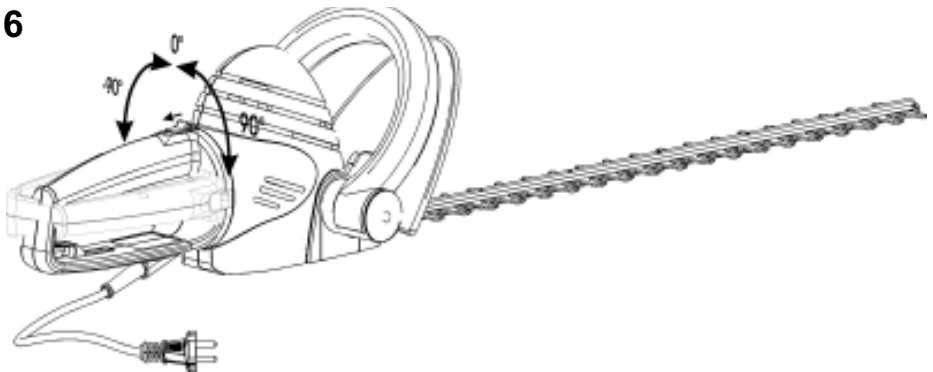
4



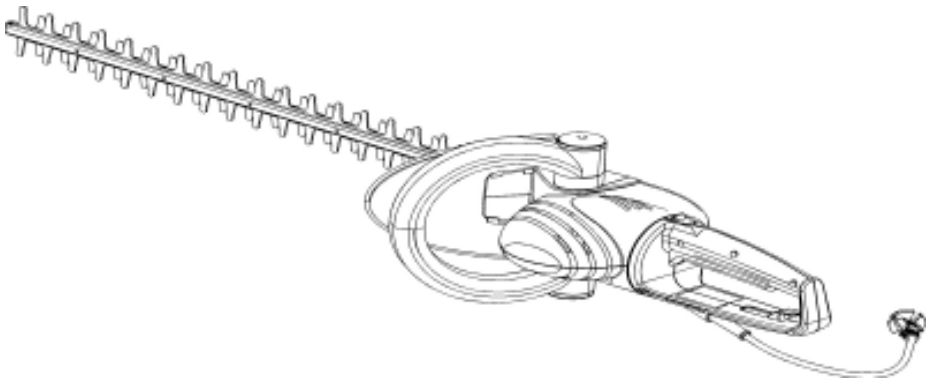
5



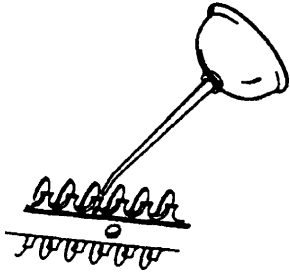
6



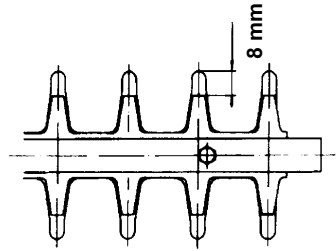
7



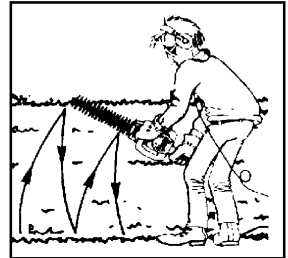
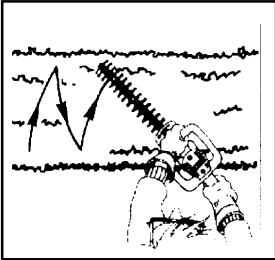
8



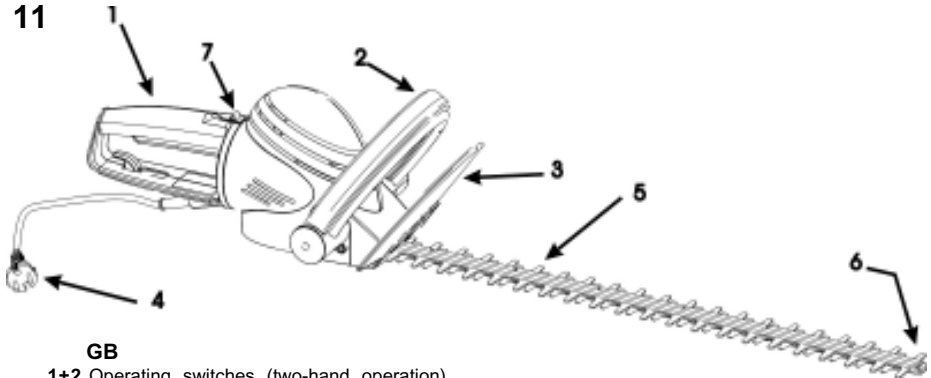
9



10



11



GB

- 1+2 Operating switches (two-hand operation)
- 3 Hand guard
- 4 Mains flex with plug
- 5 Blade safety rail
- 6 Impact protector
- 7 Locking of the turning handle

Illustration and Explanation of Pictograms



1



2



3



4



5

GB

- 1 Wear eye and ear protection !
- 2 Warning!
- 3 Read the instruction manual !
- 4 Do not use the tool under wet weather conditions !
- 5 Unplug immediately if the power cord or plug becomes damage !

Hedge Trimmer

ENGLISH

1. Introducing the hedgetrimmer

Technical data		500HD 56EL	600HD 60EL
Operating Voltage	V~	230	230
Nominal Frequency	Hz	50	50
Nominal Consumption	W	500	500
Mains Safety Fuse	A	16	16
Cutting movements	min ⁻¹	3600	2400
Shear length	m m	560	600
Cutting Thickness	m m	22	27
Weight (without flex)	kg	3,6	3,7
Noise Pressure Level L _{pA}	according to EN 50144	88 dB (A)	89 dB (A)
Vibration	according to EN 50144	<4,7 m/s ²	<2,4 m/s ²

2. General safety instructions

Machine noise information regulation 3, GSGV: the noise pressure level at the place of work can exceed 85 dB(A). In such cases the operator will require noise protection (e.g. wearing of ear protectors).

Attention: Noise protection ! Please observe the local regulations when operating your device.

Interference suppressed in accordance with EN 55014, EN 61000-3-2:95, EN 61000-3-3:95 .

We reserve the right to make changes to the technical specifications. The hedge trimmers are constructed in line with the latest regulations in accordance with DIN-EN 50144-1 and DIN-EN 50144-2-15 and conform fully to equipment safety law regulations.



General safety instruction

Usage of hedge trimmer always involves a risk of accidents, therefore please observe the relevant accident prevention instructions.

The machine has been constructed according to the latest technology and in accordance with the recognised technical safety regulations. Nevertheless, use of the machine can involve risks to the user or third persons, and can cause damage to the machine or other objects.

Attention: Using electric power tools, you must observe following fundamental safety instructions to protect yourself against electric shock, against danger of injuries and danger of fire. Read all these instructions before using the hedge trimmer and observe them. Keep these safety instructions at a safe place.

Use the machine in a safety conscious manner for suitable applications in a technically perfect condition only and with due regard to the operating instructions! Immediately rectify or have rectified any faults which could adversely affect safety!

This machine may cause serious injuries. Please read the instruction manual carefully as to the correct handling, the preparations, the maintenance and the proper use of the hedgetrimmer. Familiarize your-self with the machine before the first use and

also have yourself introduced to practical use of the machine.



3. Application

The machine is only intended for trimming hedges. Use for any other purpose constitutes inappropriate use. The manufacturer / supplier is not liable for any injury and/or damage arising from inappropriate use. This risk is the sole responsibility of the user. Appropriate use of the machine also includes adherence to the operating instructions and compliance with the servicing and maintenance instructions.

Always keep the instruction manual close at hand during operation!

4. Safety instruction

1. Always disconnect the plug from the mains socket before carrying out any work on the equipment, before cleaning and before moving the equipment.
2. The use of hedge trimmers involves certain risks. **Attention: Danger! Rotating machinery.**
3. The hedge trimmer should always be held with both hands.
4. Before using the equipment clear the working area of any foreign objects and be aware of foreign objects during operation of the machine! If the machine becomes jammed e.g. by thick branches, switch off and disconnect the machine from the mains socket before investigating and rectifying the cause of the jam. Take special care when switching the machine on again.
5. Check the flex and all connections for any visible faults before using the machine (plug disconnected). Do not use a faulty flex.
6. Keep the flex away from the cutting area.
7. Do not use the trimmer in wet weather and do not use it to cut wet hedges. Do not wash down the device with water. Do not use any high-pressure cleaning devices or steam jet devices for cleaning.

8. Carry the trimmer by the handles provided and keep hands away from the cutting blades.
9. In line with agricultural Trade Association Regulations only persons over the age of 17 may work on their own with electric hedge trimmers. Use is permitted for persons over 16 years if the work is carried out under the supervision of adults.
10. We would recommend that safety clothing is worn during the work and that eyes, ears, hair, hands and feet are fully protected. Protective gloves should also be worn.
11. Ensure that the motor of your hedge shears can not be switched on by mistake when you put it down after work or when you are going to clean the device. Never forget to unplug the mains supply!
12. Check the cutting unit regularly for damage and if damage is discovered, the cutting unit should be properly repaired.
13. Be aware of your responsibility as user towards third parties in the working area.
14. The trimmer must be properly checked and serviced. If the blades get damaged they should only be exchanged in pairs. In the event of damage from impact, specialist's inspection is essential.
15. Only use extension leads which have been authorised for outside use. These flexes must not be lighter than PVC covered flex conforming to 227 IEC 53. They must be water spray protected. Damaged cables of this unit are only to be replaced by a service station designated by the manufacturer as special tools are necessary. Equipment which will be used in different outside locations should be connected via residual-current - operated current breakers.
16. Ensure that the equipment is stored safely after use in such a way that the blade cannot be touched.
17. When using the equipment, hold it securely with both hands, stand firmly and ensure that you have sufficient working space. There should be no people, animals or objects within the working area. Select the cutting height so that the blade does not make contact with the ground and you can operate the equipment from a secure position.
18. Take care when transporting the equipment (only with blade cover!).
19. For initial use of the hedge trimmer we would recommend that in addition to reading the operating instructions, you also seek a practical demonstration from an expert.
20. Always ensure that all protective devices and handles are properly fitted. Never attempt to use an incomplete machine.
21. The use of the hedgetrimmer is to be avoided if other persons, above all children, are within the working area.
22. Familiarize yourself with the working area and pay attention to possible dangers which you



might not be able to hear due to the noise of the machine.

5. Before use

Mounting the bow-type handle (Fig. 1)

The bow-type handle must be pulled over the blade system from below as shown in Fig. 1 and then set into the relief of the hedge shears housing. In doing so, one must not push the two parts of the bow-type handle together. To fix the bow-type handle the two included screws must be screwed into the threadings in the housing through the openings of the handle and fastened tightly.

Handguard (Fig. 2)

Slide the handguard onto the handguard plate at the front side of the housing until it effectively locks into place.

Power connection

The machine can only be connected to a single-phase a.c. current connection. The machine is protectively insulated in accordance with classification II of VDE 0740 and can therefore be connected to sockets without earth connections. Before using the machine ensure that the mains current agrees with the operating voltage data on the machine's identification plate.

Power Circuit Breaker:

Machines which will be used in different outside locations must be connected to a Power Circuit Breaker.

Securing the power supply cable (Fig. 3)

Only use cables (extension flex) that are approved for outdoor use. The cable diameter must be equal to or bigger than 1.5mm² for cable lengths up to 75m.

Put the coupling of the extension flex onto the shears' plug. For strain relief, stick a loop of the extension flex through the opening in the handle and put it onto the strain relief hook. After finishing work, slide the loop ahead over the hook and pull it back through the handle opening. Pull the mains plug.

Extension flexes with a length of more than 30m reduce the machine's output.

6. Instructions for use of the equipment

Do not use the trimmer in rain or for cutting wet hedges! Check the hedge trimmer flex and its connections before each and every use for visible signs of damage (disconnect the power plug)! Do not use a faulty flex.

Gloves:

Protective gloves must be worn when using the hedge trimmer.

7. Switching the hedge shears on/off (Fig.3)

When switching the hedge shears on take a safe stand. These hedge shears have a two-hand safety switch. To switch the hedge shears on the bar switch in the handle (A) and the grip switch of the bow-type handle (B) must be pushed down. To switch the device off let go of both switches. The motor already stops if one of the two switches is released.

8. Adjusting the turning handle

To facilitate your work the hedge trimmer model 600HD 60EL are equipped with a turning rear handle that can be set in 3 different positions (right, left, and normal). The purpose of this mechanism is that especially for cutting in vertical direction the hedge shears can be held in their ergonomically most favourable position whereby an early fatigue of the user is avoided.

Please proceed as follows to change the position of the handle:

Release switch (A). Pull back the locking pin (B) (Fig. 5). The handle is now unlocked and can be turned to the desired position (Fig. 6+7). In the desired end position, the pin locks back into place and securing the handle and avoiding an accidental change of the position.

Please bear in mind that the locking pin (B) can only be pulled back when the switch (A) is not activated (held down). Make sure that the locking pin locks into place again after repositioning the turning handle. Only then the switch can be activated anew.

9. Maintenance

Always disconnect the plug from the power socket before commencing any work on the machine.

Important: Always clean and oil the blades after prolonged use of the hedge trimmer. This will greatly affect the life of the equipment. Damaged cutting units must be properly repaired immediately. Clean the shearing blades with a dry cloth or – in case of heavier dirt – with a brush.

Attention: Danger of injury!Oiling of the blades should ideally be carried out using an environmentally friendly lubricant (Fig. 8).

Sharpening of the blades

The blades generally do not need servicing and do not require resharpening if used correctly. In order to prevent injuries caused by the blades when not in use, the sharpened cutting blade should be covered by the blade cover (Fig. 9). The blades cannot be sharpened by the user without opening the equipment and the safety mechanism. Resharpening of the blades can therefore only be carried out at a specialist workshop.

Changing the blades

Only correct installation of the blades will guarantee problem-free operation and function of the above mentioned safety feature of the blades. Changing of the blades should therefore only be carried out at a specialist workshop.

10. Holding the hedge trimmer when in use (Fig. 10)

This equipment will enable you to cut or trim bushes and hedges easily and comfortably.

Trimming of hedges

- Young shoots are best cut in a scythe movement.
- Older and stronger hedges are best cut in a sawing movement.
- Branches, which are too thick for the hedge trimmer, should be cut with a saw.
- Sides of hedges should be cut upwards in a taper.

In order to achieve an even height

- Fix a guide line at the required height.

- Cut evenly over this guide line.

11. Optimum safety

The 5 special features two-hand safety switch, quick blade stop, protective cover, blade safety rail and impact protector are fitted to provide the hedge trimmer with optimum safety features.

Two-hand safety switch (Fig. 4)

To switch on the hedge trimmer one of the switch bars on the hand grip (A or B) and the switch on the bow-type handle (C) must be held down. If one of the switches is released, the shearing blades will stop after ca. 0.2 seconds.

Quick blade stop

In order to avoid injuries through cuts, the blade will stop in max. 0.2 sec. when one of the two switches is released.

Blade safety rail (Fig. 9)

The cutting blade set back from the blade housing reduces the risk of injuries due to unintentional body contact. As soon as the hedge trimmer is switched off, the sharp cutting blades will stop - due to safety reasons - exactly under the cover rail in order to reduce the risk of injuries during transport.

Impact protector (Fig. 11)

The extended guide rail prevents unpleasant shocks (blade recoil) being transmitted to the operator due to impact with solid objects (wall, ground etc.).

Gear protection feature

If solid object are caught in the cutting blade and jam the motor, switch off the machine at once, disconnect the power plug from the power socket, remove the object and continue with the work.

The equipment is also fitted with an overload cutout, which protects the gears against mechanical damage in the event of blade jams.

12. Storing the trimmer after use

The hedge shears must be stored such that there is no danger of injuries being caused to persons by the cutting blades!

Important note: The shearing blades should be cleaned after each use.(see also Section 9. Maintenance).This will considerably increase the service life of the device. Please use a lubricator that is not harmful to the environment , e. g. our service spray. Then put the shears in their case with the cutting blades first.

13.Repair service

Repairs to electric power tools should only be carried out by specialist electrical personnel.

GB**EC Declaration of Conformity**

according to EU Guideline of Machines 98/37/EG



We, **Husqvarna Skog & Trädgård, SE-561 82 Huskvarna, Sverige**, declare under our sole responsibility that the hedge trimmer **500HD 56EL, 600HD 60EL**, to which this declaration relates correspond to the relevant basic safety and health requirements of Directives **89/336/EEC** (EMV-Guideline), **73/23/EEC** (Low Voltage Guideline), **89/37/EG** (Guideline of Machines) and **2000/14/EC** (noise directive). For the relevant implementation of the safety and health requirements mentioned in the Directives, the following standards and/or technical specification(s) have been respected: **EN 55014-1, EN 55014-2, EN 50144, HD 400.1, HD 400.3, EN 61000-3-2:1995, EN 61000-3-3: 1995, EN 774**.

measured acoustic capacity level *
guaranteed acoustic capacity level *

95 dB(A) *Testing laboratory: DPLF, D-34114 Kassel
97 dB(A)

Conformity assessment method to annexe VI / Directive 2000/14/EC

Huskvarna, 12.12.2002 Bo Andréasson, Technical Director

GB**Warranty**

For this electric tool, the company provides the end user - independently from the retailer's obligations resulting from the purchasing contract - with the following warranties:

The warranty period is 24 months beginning from the hand-over of the device which has to be proved by the original purchasing document. For commercial use and use for rent, the warranty period is reduced to 12 months. Wearing parts and defects caused by the use of not fitting accessories, repair with parts that are no original parts of the manufacturer, use of force, strokes and breaking as well as mischievous overloading of the motor are excluded from this warranty. Warranty replacement does only include defective parts, not complete devices. Warranty repair shall exclusively be carried out by authorized service partners or by the company's customer service. In the case of any intervention of not authorized personnel, the warranty will be held void. All postage or delivery costs as well as any other subsequent expenses will be borne by the customer.



www.husqvarna.com

114 01 71-20

Free Manuals Download Website

<http://myh66.com>

<http://usermanuals.us>

<http://www.somanuals.com>

<http://www.4manuals.cc>

<http://www.manual-lib.com>

<http://www.404manual.com>

<http://www.luxmanual.com>

<http://aubethermostatmanual.com>

Golf course search by state

<http://golfingnear.com>

Email search by domain

<http://emailbydomain.com>

Auto manuals search

<http://auto.somanuals.com>

TV manuals search

<http://tv.somanuals.com>