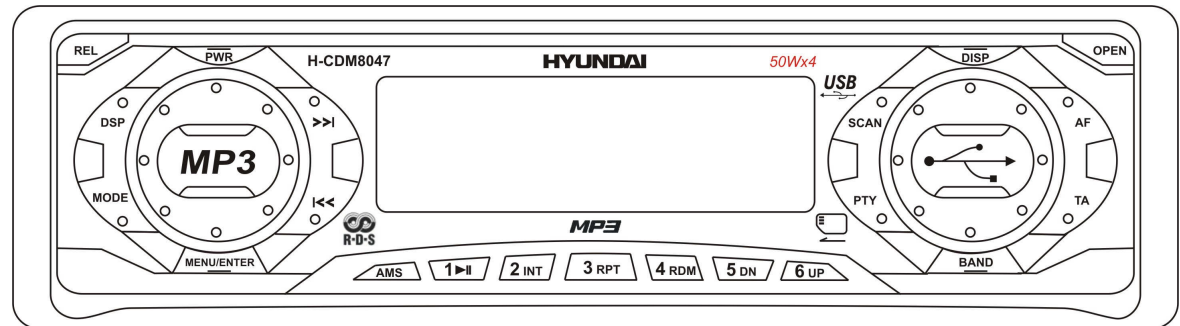


HYUNDAI

H- CDM8047



CD/MP3-RECEIVER
Instruction manual

CD/MP3-РЕСИВЕР
Руководство по эксплуатации

Dear customer!

Thank you for purchasing our product. For safety, it is strongly recommended to read this manual carefully before connecting, operating and/or adjusting the product and keep the manual for reference in the future.

Table of contents

Table of contents	2
Important safeguards	3
Installation/ Connections	4
Panel controls	9
General operations	10
RDS (Radio Data System).....	14
MP3 playback	17
USB/SD/MMC MP3 playback	21
Anti-theft system	22
Handling compact discs	23
Cleaning	23
Components	24
Troubleshooting guide.....	25
Specification	26

Important safeguards

Read carefully through this manual to familiarize yourself with this high-quality sound system.

Use only in a 12-volt DC negative-ground electrical system.

Disconnect the vehicle's negative battery terminal while mounting and connecting the unit.

When replacing the fuse, be sure to use one with an identical amperage rating. Using a fuse with a higher amperage rating may cause serious damage to the unit.

DO NOT attempt to disassemble the unit. Laser beams from the optical pickup are dangerous to the eyes.

Make sure that foreign objects do not get inside the unit; they may cause malfunctions, or create safety hazards such as electrical shock or laser beam exposure.

If you have parked the car for a long time in hot or cold weather, wait until the temperature in the car becomes normal before operating the unit.

Keep the volume at a level at which you can hear outside warning sounds (horns sirens, etc.).

DO NOT open covers and do not repair yourself. Consult the dealer or an experienced technician for help.

Make sure you disconnect the power supply and aerial if you will not be using the system for a long period or during a thunderstorm.

Make sure you disconnect the power supply if the system appears to be working incorrectly, is making an unusual sound, has a strange smell, has smoke emitting from it or liquids have got inside it. Have a qualified technician check the system.

DO NOT raise the volume level too much, as this will block outside sounds, making driving dangerous.

Stop the car before performing any complicated operation.

Installation/ Connections

Attention:

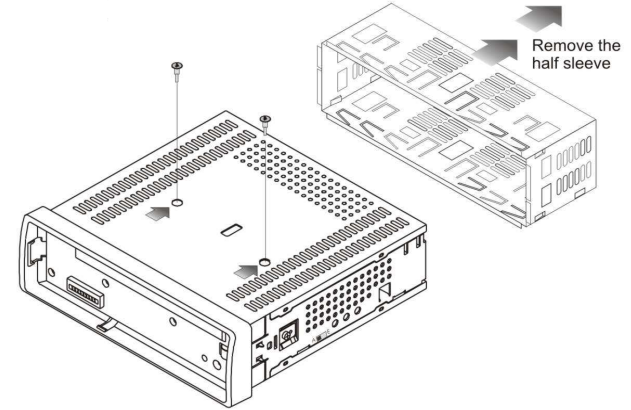
REMOVE THE TRANSPORT CD STOPPER (2 SCREWS)
BEFORE USE.

Din front-mount (method 1)

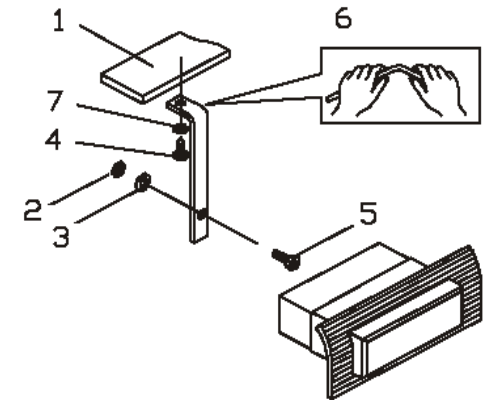
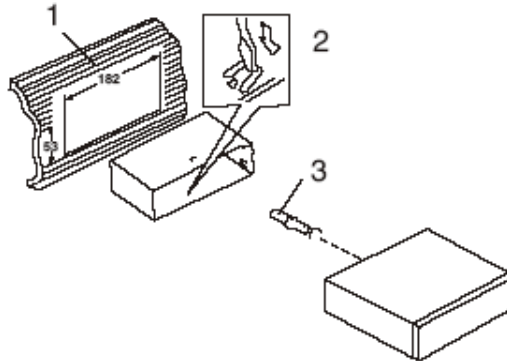
After inserting the holder into the dashboard, select the appropriate tab and bend them inwards to secure the holder in place.

Insert fingers into the groove in the front of frame and remove it.

Insert the levers supplied with the unit to the grooves at both sides. The unit can be installed or removed from the dashboard.

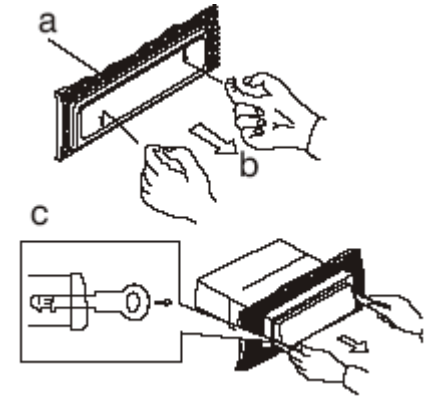


1. Dashboard
2. Nut (5mm)
3. Spring washer
4. Screw (5 x 25mm)
5. Screw
6. Strap
7. Plain washer



Removing the unit

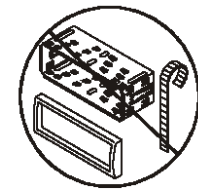
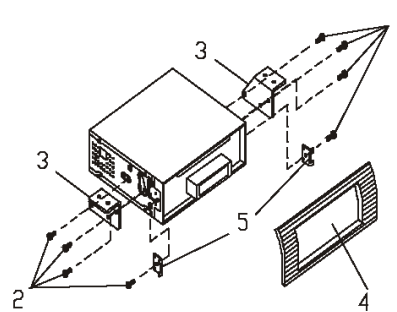
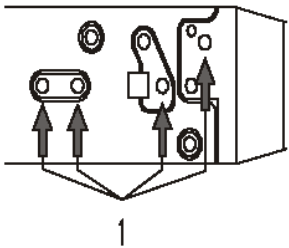
- a. Frame
- b. Insert fingers into the groove in the front of frame and pull out to remove the frame.
(When reattaching the frame, point the side with a groove down wards and attach it.)
- c. Insert the levers supplied with the unit into the grooves at both sides of the unit as shown in figure until they click. Pulling the levers makes it possible to remove the unit from the dashboard.



Din rear-mount (method 2)

Installation using the screw holes at both sides of the unit.

1. Select a position where the screw holes of the main unit are fitted for aligned, and tighten the screws at 2 positions at each sides.
Use either truss screws (5 x 8mm) or flush surface screws (4 x 8mm), depending on the shape of the screw holes in the bracket.
2. Screw.
3. Factory radio mounting bracket.
4. Dashboard or Console.
5. Hook (Remove this parts).

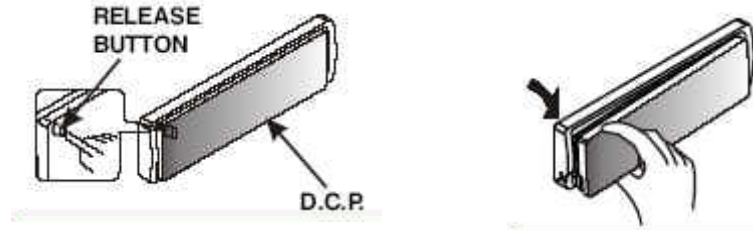


Note: The mounting box, outer trim ring, and the half-sleeve are not used for this method of installation.

Detachable control panel

Detaching the control panel

- Turn the Power off.
- Press the Panel release button.
- Remove the control panel.

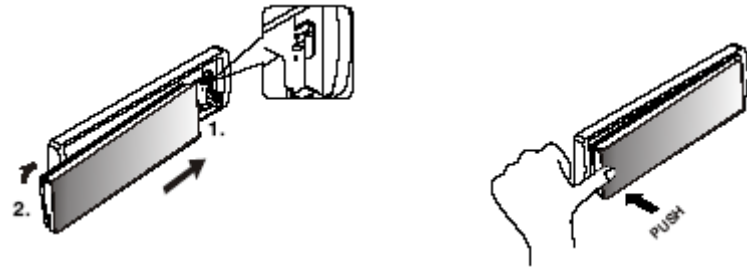


Attaching the control panel

- Insert the right side of the control panel into the main unit.

Note: the control panel must be attached into the T-Joint.

- Press the control panel on to the left side of middle of it until a “click” sound is heard.



Caution:

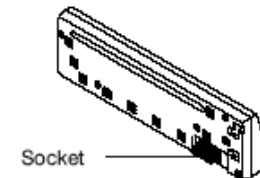
DO NOT insert the control panel from the left side. It can damage the control panel.

The control panel can easily be damaged by shocks. After removing it, place it in a protective case and be careful not to drop it or subject it to strong shocks.

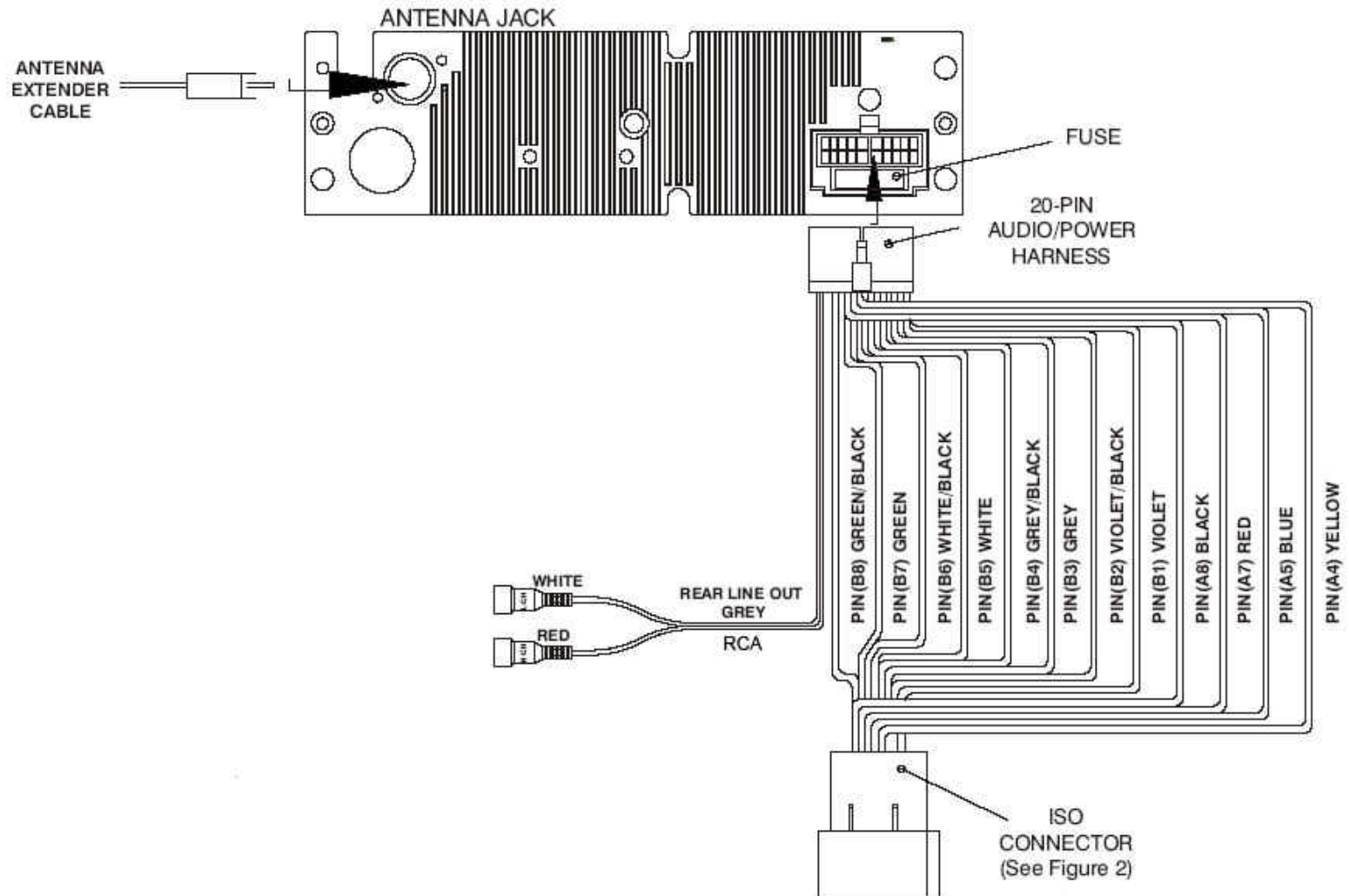
The rear connector that connects the main unit and the control panel is an extremely important part. Be careful not to damage it by pressing on it with fingernails, pens, screwdrivers, etc.

Note:

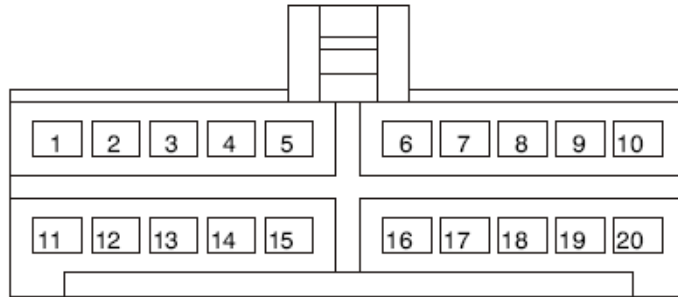
If the control panel is dirty, wipe off the dirt with soft, dry cloth only. And use a cotton swab soaked in isopropyl alcohol to clean the socket on the back of the control panel.



Electrical connections



20-PIN AUDIO/POWER HARNESS



Pin View

Figure 1

PIN	WIRE COLOR	FUNCTION / LABEL
1	GREY / BLACK	RIGHT FRONT SPEAKER (-)
2	GREY	RIGHT FRONT SPEAKER (+)
3	VIOLET	RIGHT REAR SPEAKER (+)
4	VIOLET / BLACK	RIGHT REAR SPEAKER (-)
5		
6	GREEN	LEFT REAR SPEAKER (+)
7	GREEN / BLACK	LEFT REAR SPEAKER (-)
8	RED	IGNITION (ACC)
9		
10		
11	WHITE	LEFT FRONT SPEAKER (+)
12	WHITE / BLACK	LEFT FRONT SPEAKER (-)
13		
14	BLUE	POWER ANTENNA
15	YELLOW	BATTERY (+)
16	BLACK	CHASSIS GROUND
17		
18		
19		
20		

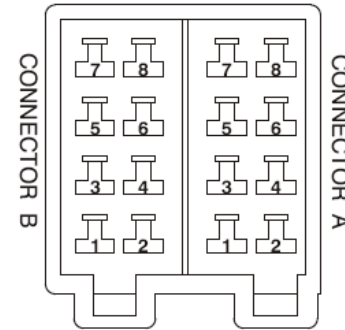


Figure 2

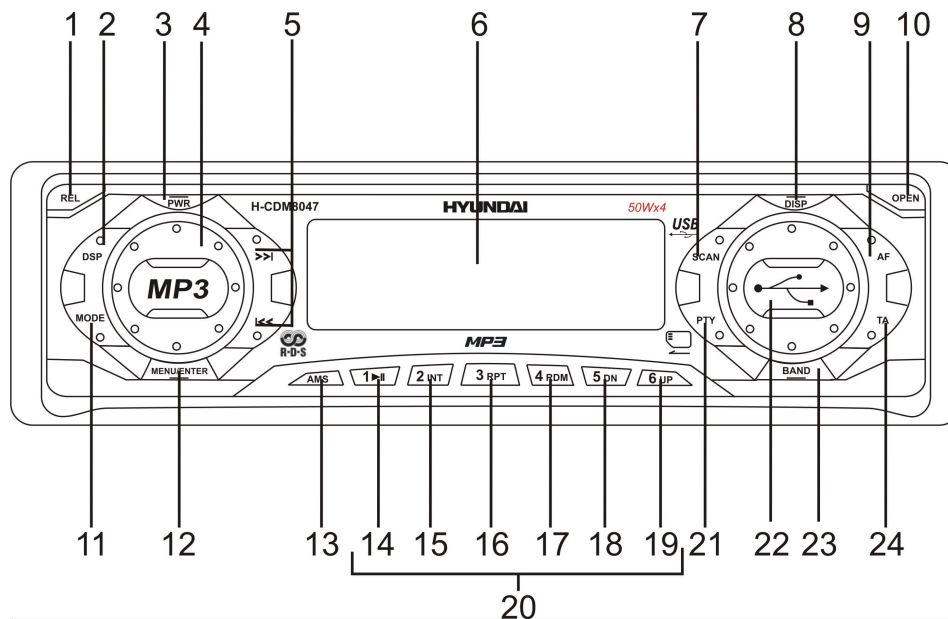
ISO CONNECTOR 4PIN+8PIN FEMALE WITH MALE TERMINAL

ISO CONNECTOR WIRING CHART

PIN	WIRE COLOR	FUNCTION / LABEL
A4	YELLOW	BATTERY (+)
A5	BLUE	POWER ANTENNA
A7	RED	IGNITION(ACC)
A8	BLACK	GROUND
B1	VIOLET	RIGHT REAR SPEAKER (+)
B2	VIOLET / BLACK	RIGHT REAR SPEAKER (-)
B3	GREY	RIGHT FRONT SPEAKER (+)
B4	GREY / BLACK	RIGHT FRONT SPEAKER (-)
B5	WHITE	LEFT FRONT SPEAKER (+)
B6	WHITE / BLACK	LEFT FRONT SPEAKER (-)
B7	GREEN	LEFT REAR SPEAKER (+)
B8	GREEN / BLACK	LEFT REAR SPEAKER (-)

Panel controls

1. Panel release button
2. DSP (preset equalizer) button
3. Power button
4. Volume level control
5. Tuning seek up, down/ Track up, down buttons
6. LCD display
7. Scan button
8. DISP button
9. AF (Alternative Frequencies) button
10. Open button
11. Mode button
12. Menu button/ MP3 enter button
13. AMS (Auto Memory Store) button/
MP3 search button
14. Play/ Pause button
15. Intro play
16. Track repeat play
17. Track random play
18. Track -10 down
19. Track +10 up
20. Preset memory station buttons
21. PTY (Program Type) button
22. USB socket
23. Band button
24. TA (Traffic Announcement) button



General operations

Power button [3]

Press Power button to turn on/ off the unit.

Encoder volume knob [4]

When the Menu function is not activated, rotate this knob to change the volume level.

When Menu function is activated, rotate this knob to navigate through different menu items.

Mode button [11]

Press this button to select different mode, sequence as follow:

- Tuner mode (radio)
- CDP/ MP3 (only if a CD or MP3 disc is inserted)
- USB (only if a USB drive is inserted)
- SD/ MMC (only if a SD or MMC card is inserted)

Mode priority

Whenever a USB or SD/ MMC is being inserted, unit will automatically switch to USB or SD/ MMC mode, does not matter the unit is currently in what mode.

When in USB or SD/ MMC mode, if the USB or SD/ MMC is being removed, unit will automatically switch to radio mode.

Menu button [12]

You can operate the following function through Menu button.

1. Audio operation

Press Menu button for less than 1 second to open the Audio menu.

Press Menu repeatedly to navigate through the following functions:

VOLUME (VOL) > BASS (BAS) > TREBLE (TRE) > BALANCE (BAL) > FADER (FAD).

Rotate Volume control to adjust desired level within 5 seconds.

Note: bass and treble will be skipped if DSP mode is activated.

2. *Other operations*

Press Menu button for more than 2 seconds to open another set of menu.

Press Menu button repeatedly to navigate through the menu items, while the desired menu item is displayed.

Use Volume control to adjust the selected function:

a. TA (Traffic Announcement) mode

To determine what action will the radio take if the newly tuned station does not receive TP (Transport Program) information for 5 seconds.

There are 2 modes: TA ALARM and TA SEEK.

- TA SEEK

During searching the radio retunes to a different station, which contains TP information.

- TA ALARM

During searching the radio does not retune but beeps will come out.

b. Mask mode

“PI” is referred to “Different PI (Program Information) with same AF (Alternative Frequency)”.

During AF search, PI stations and non-RDS (Radio Data Station) stations with strong signal will be masked, in the latter case, the non-RDS stations may cause interference, resulting the real AF to be masked due to the misjudgment of the radio under interference.

- MASK PI

To mask only the AF with different PI.

- MASK ALL
To mask both PI and strong signal non-RDS station.

- c. Retune L, retune S
To determine the initial time of automatic TA (Traffic Announcement) search.
There are 2 modes: RETUNE L and RETUNE L.
 - RETUNE L:180 seconds.
 - RETUNE S: 45 seconds.

- d. Loud mode
Use this mode to increase bass output.

- e. ESP mode (Electronic Shock Protection)
You can select the second of ESP as follow:
 - ESP 12 second: for normal road condition.
 - ESP 45 second: for road condition extremely unusual.

- f. Beep mode
There are 2 modes: BEEP ON and BEEP OFF.
 - BEEP OFF: disable audible beep tone when any function is accessed.
 - BEEP ON: enable audible beep tone.

- g. Seek mode (Seek 1/ Seek 2)
You can choose from Seek tuning mode 1 and mode 2 by using Volume control.
While the desired Seek tuning mode is selected, the following operations can be performed:
 - SEEK1: Press the Tuning up/ down button briefly to increase or decrease the frequency by 1 step size.

Press and hold the Tuning up/ down button to seek the band in up or down direction and stop when a station is received.

- SEEK2: Press the Tuning up/ down button briefly to increase or decrease the frequency by 1 step size.

Press and hold the Tuning up/ down button increase or decrease the frequency rapidly until the button is released, the different between the same operation at Seek 1 mode is that this time the radio will not stop at any station.

h. Stereo mode

Use this mode to select stereo or monaural reception for FM radio stations. You can sometimes improve reception of distant stations by selecting mono mode.

i. DX mode

Use this mode to change between Local and Distant (-DX) tuning mode. Local mode improves reception in some areas where the signal is too strong.

DSP button (preset equalizer) [2]

POP > ROCK > CLASSIC > FLAT > DSP OFF

At DSP off mode preset equalizer will be controlled by Bass/ Treble setting.

Display button (DISP) [8]

At Radio mode press this button to view frequency of the station in listening, clock time and program type (PTY).

Scan button (SCAN) [7]

Press this button, the radio will tune up to search stations, the available stations will blinking and stay on the display for a few seconds.

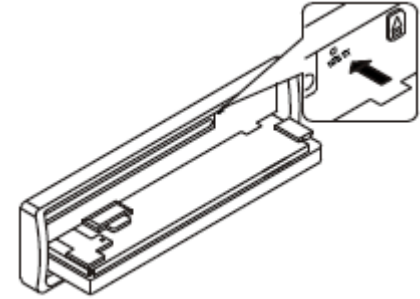
Tuning up/ down button [5]

Press this button to search for radio stations. Depends on whether SEEK1 or SEEK 2 mode is selected, different operations can be performed, refer to “Seek mode” paragraph for detail.

Reset button

In case of abnormal operation, use a pencil tip or other non-metallic object to press the Reset button located behind the front panel. Reset button is to be activated for the following reasons:

- Initial installation of the unit when all wiring is completed.
- All the control function buttons do not operate.
- Abnormal or error symbol shown on the display.



RDS (Radio Data System)

RDS service availability varies with areas. Please understand if RDS service is not available in your area, the following service is not available, either. The following functions are available when receiving RDS stations.

Auto memory store/ preset scan button (AMS) [13]

- Preset scan: press AMS button for less than 1 second to scan all preset stations in the memories of the current band and stay on each memory stations for about 5 seconds. The memory location indicator on the LCD will flash during the process. To stop preset scan, press AMS button again.
- Auto memory store: press AMS button for more than 1 second to enter auto store mode. The radio will automatically store 6 stations to the 6 preset memories of the current band. To stop auto store, press AMS button again.

Station preset buttons (1-6) [20]

You can store and recall six preset radio stations by pressing 1-6 buttons.

To store a station:

- Select a band (if needed)
- Select a station by Tuning up/ down button
- Hold a Preset button which you want store the station for at least 2 seconds. The preset number will appear on the display accompanied by a beeps sound.

To recall a station:

- Select a band (if needed)
- Press a Preset button briefly to recall the stored station.

Band button [23]

Press this button to change between band FM, MW(AM) and OIRT.

AF button (Alternative Frequencies) [9]

When pressed short, AF switching mode is selected.

When AF switching mode is selected, the radio check the signal strength of the AF all the time.

When pressed long, it is activated as regional mode ON/ OFF.

Regional mode ON:

AF Switching or PI SEEK is implemented to the station which have all PI codes are same as current station. REG segment is turned on, in LCD display.

Regional mode OFF:

The Regional code in the format of PI code is ignored when AF switching or PI SEEK is implemented.

Some broadcasting stations may change their program from normal broadcasting to regional broadcasting for a certain period.

When regional mode is off, the region identification in the PI code is ignored; the radio may switch to a local variant of the

current program. When region mode is on, the radio will only switch to a program carrying the exact same PI code.

Note: When AF switch is on, at this moment use tuning up/ down to search station will only stop at station which has RDS broadcasting.

TA button (Traffic Announcement) [24]

- When pressed short, it is activated as TA mode on or off.
- When TA mode is on and traffic announcement is transmitted.
- When the unit is in CD mode, it will switch to radio mode temporarily.
- If the volume lever was under the threshold point, it will be raised to the threshold point.
- When TP station is received, TP segment is turned on in LCD display.

Note: when TA switch is on, at this moment use tuning up/down to search station will only stop at station which has TA broadcasting.

PTY button [21]

Each time when this button is pressed, the PTY mode will toggle in the following order:

PTY Music Group > PTY Speech Group >PTY Off

The current PTY code is displayed on the LCD, use the 6 Preset buttons to select the other PTY code, the distribution of program type are as follow:

Button Number	Music Group	Speech Group
M1	POP, ROCK	NEWS, AFFAIRS, INFO
M2	EASY, LIGHT	SPORT, EDUCATE, DRAMA
M3	CLASSICS,	CULTURE, SCIENCE, VARIED
M4	JAZZ, COUNTRY	WEATHER, FINANCE, CHILDREN
M5	NATION, OLDIES	SOCIAL, RELIGION, PHONE IN
M6	FOLK	TRAVEL, LEISURE, DOCUMENT

When PTY code is selected, the radio will search the band for the station that matches the PTY code.

MP3 playback

Notes on MP3

MP3 is short for MPEG Audio Layer 3 and refers to an audio compression technology standard.

This product allows playback of MP3 files on CD-ROM, CD-R or CD-RW discs.

The unit can read MP3 files written in the format compliant with ISO 9660. However it does not support the MP3 data written by the method of packet write.

The unit can not read an MP3 file that has a file extension other than “.mp3”.

If you play a non- MP3 file that has the “.mp3” extension, you may hear some noise.

In this manual, we refer to what are called “MP3 file” and “folder” in PC terminology as “track” and “album”, respectively.

Maximum number of directory level is 128, including the root directory. Maximum number of files and folders per disc is 1000.

The unit may not play tracks in the order of Track numbers.

The unit supports all MPEG bitrate including free format for MPEG1 audio layer 3, supports all MPEG bitrate except 8kbps and free format for MPEG2 audio layer3 .

The unit supports 32/44.1/48 kHz sampling rate for MPEG1 audio layer 3, 32/44.1/48 kHz and 16/22.05/24 kHz sampling rate for MPEG2 audio layer 3, and 44.1 kHz sampling rate for VBR (Variable Bit Rate).

Notes on creating your own CD-Rs or CD-RWs containing MP3 files

To enjoy high quality sound, we recommend converting to MP3 files with a sampling frequency of 44.1 kHz and a fixed bit rate of 128 kbps.

DO NOT store more than 1000 MP3 files per disc, 2000 MP3 files for USB flash (FAT 12/16).

For ISO 9660 - compliant format, the maximum allowable depth of nested folders is 8, including the root directory (folder).

When CD-R disc is used, playback is possible only for discs, which have been finalized.

Make sure that when MP3 CD-R or CD-RW is burned that it is formatted as a data disc and NOT as an audio disc.

You should not write non-MP3 files or unneeded folders along with MP3 files on the disc otherwise it takes a long time until the unit starts to play MP3 files.

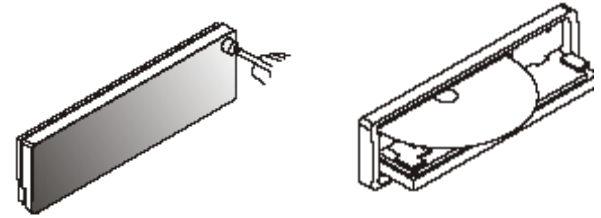
With some CD-R or CD-RW media, data may not be properly written depending on their manufacturing quality. In this case, data may not be reproduced correctly. High quality CD-R or CD-RW disc is recommended.

Up to 16 characters are displayed for the name of an Album or a Track. ID3TAG version 1.x and 2.x is required.

Note: the unit may not play tracks in the order that you wrote them to the disc.

Loading the CD

Press the Open [10] to fold down the front panel, insert the disc through CD slot. The disc will be automatically loaded and playback will also start.



CD eject button

Press this button to eject the CD. Since this button is located behind the front panel, fold down the panel before accessing this button.

CD play/ pause and first track button [14]

Press this button briefly to pause CD play, press again to release pause.

Press this button long to activate First track function, the first song will be played.

Intro scan button [15]

Press this button to select Intro Scan function, the first 10 seconds of each track will be played sequentially until this button is pressed again, then normal play will resume at the current track.

Repeat button [16]

Pressing this button will activate Repeat Function in the following order : Repeat On → Repeat Off

The RPT indicator will turn on.

Random play button [17]

When random play mode is selected, the tracks will be played in random order, press this key one more time to cancel random play mode.

Track up and track down buttons [18, 19]

Under normal play mode, press the Track up button for less than 1 second to skip the playback to the next track, or press the Track down button for less than 0.5 seconds to return to the beginning of the current track, press this button one more time to skip to the previous track.

When any of these buttons is pressed for more than 1 second, the CD player will enter Cue/ Review mode, this is indicated by the flashing track number on the LCD. When the key is released, normal play will resume.

ID3 tag

Press Band button repeatedly to Display ID3 TAG information.

If the MP3 file is available with ID3 TAG, pressing the Band button repeatedly will show information in the following sequence: FILE NAME > FOLDER NAME > SONG TITLE > ARTIST > ALBUM TITLE.

If any of the ID3-TAG information is not available, pressing the Band button repeatedly will only show The FILE NAME and FOLDER NAME of the MP3 file and will scroll repeatedly through the display during the playing of the MP3 file.

Searching by track

Pressing the MP3 Search button once will turn on track search mode, the LCD will show “TRK SCH”. If no action is taken for about 5 seconds, normal play will resume.

At Track search mode, press Enter button once, the display will show “001”, use Volume up/ down control to select the desired track.

The track number can be either 1-digit, 2-digit or 3-digit. They are selected by the following procedures.

- Digit track number

After selecting the desired track number, press Enter button for more than 1 second to confirm, playback will start.

- Digit and 3-Digit track number

Enter the left-most digit first (for example, if the track number is 123, enter “3” first, following by “2” and “1”), then press Enter button for less than 1 second to shift the number by one digit, repeat this procedure until all digits has been entered. Long press Enter button for more than 1 seconds to start playing.

If a wrong track number is entered, press AMS button to clear the digits. Then enter the correct number.

Searching by folder

While the LCD is showing “TRK SCH”, press MP3 Search button one more time, the LCD changes to “FILE SCH”, the unit is at Folder Search mode, if no action is taken for about 5 seconds, normal play will resume.

At Folder Search mode, press Enter button once, the first folder will be shown, use Volume up/ down Control to scroll through all folders. When the desired folder is found, press the Enter button long to start playing the first track under selected folder, or press the Enter button short less than 1 seconds to display the tracks or folders under this folder. Repeat this procedure to navigate through the folders up to 8 levels deep.

During folder search, not only folders are shown but also the tracks, but they can be easily identified because they have their own icon display on LCD.

Searching by character

This model also has song name (character) search function for MP3 disc playback, Press MP3 Search button three times until “CHAR SCH” is shown on display, then press Enter button once, character “A” blinks, use volume up or down to select desired character (1st letter), press Enter button to confirm your choice and second character “A” blinks to select other letters (max, 8 characters). After entering your song name, press Enter button more than 1 second to start the search. If no such song, “NOT FND” will be shown.

USB/SD/MMC MP3 playback

Loading SD/MMC card

Insert the SD/MMC card into the slot, with the front side at right.

The unit will display the music automatically and the LCD will show MEM-CARD.

Take out SD/MMC card

Push SRC button and switch to non MEM-CARD mode, then push SD/MMC card, take out the card when part of the card flip up.

Loading USB equipment

Open the rubber cap, put the USB into the connector the head unit will display the music, stored in the USB equipment, and the LCD will show USB-DRIV.

Take out USB equipment

Push the SRC button and switch to non USB-DRIV mode, then take off the USB equipment, close the rubber cap.

USB/SD/MMC Notes:

- USB functions (flash memory type) MP3 music play
- SD/MMC card support
- USB flash memory 2in1 (SD/ MMC) support
- FAT 12/ FAT 16/ FAT 32 is possible: FAT 12/16 (dir: 200 support, file:500 support), -FAT 32 (dir: 200 support, file:500 support)
- Filename: 32 byte/ dir name: 32 byte
- Tag (id3tag ver2.0): title/artist/album: 32 byte support
- Multi card reader not support
- USB 1.1 support, USB 2.0 support (it cannot support USB 2.0 speed. Just, tag name:32byte get be same speed with USB 1.1).

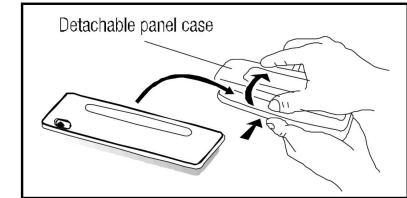
Note: SD cards brands: Canon, Fujifilm, Palm, Motorola, Microsoft, IBM, HP, Compaq, Sharp, Samsung, etc. Capacity: 8MB ~ 2Gb.
MMC cards brands: Ericsson, Nokia, Motorola, HP, Palm, Sanyo, Microsystems, etc. Capacity: 16MB ~ 2Gb.

Anti-theft system

This unit is equipped with a slide-down detachable panel. Removing this panel makes the radio totally inoperable.

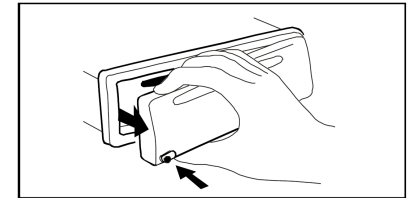
Place the detachable panel into the case.

1. Switch off the power of the unit.
2. Press the REL button [1] and remove the detachable panel.
3. Gently press the button of the case and open the cover.
4. Place the panel into the case and take it with you when you leave the car.



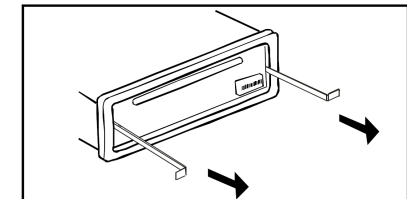
Install Detachable panel

1. Fix right part of face plate I the right part of panel slot of the unit.
2. Press down the left side of the face plate until it clicks into the panel slot of the unit.



Remove the unit

1. Switch off the power of the unit.
2. Remove the panel and the trim plate.
3. Insert both L-Keys into the hole on the front of the set until they lock.
4. Pull out the unit.



Handling compact discs

Dirty, scratched or warped discs may cause skip ping or noise.

Handle the disc only by the edges. To keep clean do not touch its surface.

Discs should be stored in their cases after use to avoid scratches.

Do not expose discs to direct sunlight, high humidity, high temperature or dust.

Prolonged exposure to extreme temperature can warp the disc (such as leaving the discs in your car during summertime).

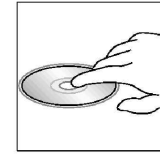
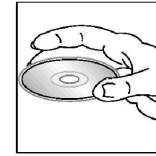
Do not stick or write anything on either side of disc. Sharp writing instruments, or the inks used in some felt-tip pens, may damage its surface.

DO NOT touch the unlabeled side.

DO NOT attach any seal, label or data protection sheet to either side of a disc.

This unit cannot play 3-inch (8cm) CDs.

Never insert a 3-inch CD contained in the adapter or an irregularly shaped CD. The unit may not be able to eject it, resulting in a malfunction.



Cleaning

Cleaning the cabinet

Wipe with a soft cloth. If the cabinet is very dampen (not dropping wet) the cloth with a weak solution of soapy water, and then wipe clean.

Cleaning discs

Fingerprints should be carefully wiped from the surface of disc with a soft cloth. Unlike conventional records, compact discs have no grooves to collect dust and macroscopic dirt, so gently wiping them with a soft cloth should remove most panicles. Wipe in a straight motion from the center to the edge.

Never use thinner benzine, record cleaner or anti static spray on a compact disc.

Such chemicals can damage its plastic surface.



Components

- | | |
|------------------------------|--------|
| 1. Mounting collar | 1 pc. |
| 2. Tapping screws M5x6 mm | 4 pcs. |
| M4x6 mm | 4 pcs. |
| 3. Mounting bolt (50 mm) | 1 pc. |
| 4. Wire connector | 1 pc. |
| 5. Removable face plate case | 1 pc. |
| 6. Trim plate | 1 pc. |
| 7. T-key | 2 pcs. |
| 8. Operating instructions | 1 pc. |
| 9. Rubber cushion | 1 pc. |

Troubleshooting guide

<p>General</p> <p>No power or no sound</p>	<p>Car engine switch is not on. Turn your car's key to ACC or ON.</p> <p>Cable is not correctly connected. Check connection.</p> <p>Fuse is burnt. Replace fuse. Check volume or mute on/ off.</p>
<p>Disc</p> <p>Disc is inside but no sound</p>	<p>Disc is upside down. Place disc in the correct direction, and the label side up.</p> <p>Disc is dirty or damaged. Clean disc or change another disc.</p> <p>Volume is in minimum. Adjust volume to desired level.</p> <p>Wire is not properly connected. Check wiring connection.</p> <p>Temperature inside the car is too high. Cool off until the ambient temperature returns to normal.</p>
<p>Disc sound skips, tone quality is low</p>	<p>Disc is dirty or damaged. Clean CD or change another CD.</p>
<p>Sound skips due to vibration</p>	<p>Mounting angle is over 30°. Adjust mounting angle to less than 30°.</p> <p>Instable mounting. Mount the unit securely with the mounting parts.</p>
<p>The operation keys don't work</p>	<p>The built-in microcomputer is not operating properly due to noise. Press the RESET button.</p> <p>Front panel is not properly fixed into its place.</p>
<p>Radio</p> <p>Much noise in broadcasts</p>	<p>Station is too far, or signals are too weak. Select other stations of higher signal level.</p> <p>The antenna cable is not connected. Insert the antenna cable firmly.</p>
<p>Error display messages</p>	<p>ERROR 1: Mechanism error: Press the RESET button. If the error code does not disappear consult your nearest service dealer.</p> <p>ERROR 2: Servo error: Press the RESET button. If the error code does not disappear, consult your nearest service dealer.</p>

Specification

General. Power supply:	11-14 V DC, negative ground
Maximum power output:	50 Wx4 channels
Rated power output (RMS):	25 Wx4 channels (4 Ω 10% T.H.D.)
Suitable speaker impedance:	4 ohms
Pre-Amp output voltage:	2.0V(CD play mode: 1 KHz, 0 dB, 10 K Ω load)
Fuse:	15A
Dimensions (WxHxD)/ Weight:	178 x 50 x 166 mm/ 1.7 kg
ESP:	CD (45 s), MP3 (120 s)
FM Stereo Radio. Frequency range:	65.0 – 108.0 MHz
Frequency response:	30 Hz-15 kHz
Stereo separation:	25 dB (1 kHz)
Image response ratio/ IF response ratio:	50dB / 70dB
Signal/ noise ratio:	50 dB
AM Radio. Frequency range:	522-1620 kHz
Usable sensitivity(S/N=40dB):	45 dB
Disc Player. System:	Compact disc audio system
Frequency response:	5 Hz - 20 kHz
Signal/ noise ratio:	>70 dB
Total harmonic distortion:	Less than 0.2 %(1 kHz)
Wow and flutter:	Below measurable limits
Channel separation:	>60 dB

Specifications are subject to change without notice. Mass and dimension are approximate.

Уважаемый покупатель!

Благодарим Вас за покупку нашего изделия. Для обеспечения безопасности рекомендуется тщательно изучить настоящее руководство перед подключением, эксплуатацией и/или регулировкой изделия и сохранить руководство для использования в будущем.

Содержание

Содержание	27
Меры предосторожности	28
Установка/ подключение	29
Органы управления панели	35
Основные функции	36
RDS (Система радио данных).....	41
Воспроизведение MP3	44
Воспроизведение USB/SD/MMC MP3	48
Система защиты от воров	50
Обращение с компакт-дисками.....	51
Чистка и уход	52
Комплектация.....	52
Руководство по устранению неисправностей	53
Технические характеристики.....	54

Меры предосторожности

Тщательно изучите настоящую инструкцию, чтобы познакомиться с высококачественной аудиосистемой.

Используйте только в электрической цепи с постоянным током 12 В.

При установке и подключении изделия отключите отрицательную клемму аккумулятора автомобиля.

При замене предохранителя убедитесь, что вы устанавливаете предохранитель с тем же номиналом. Используя предохранитель с повышенным значением тока, можно нанести значительные повреждения изделию.

Не пытайтесь разбирать изделие. Лазерные лучи, исходящие из блока оптической головки считывания информации с компакт-диска, опасны для глаз.

Убедитесь, что посторонние предметы не попали внутрь изделия. Они могут вызвать сбой в работе или стать причиной опасности, такой как поражение электрическим током или лазерным лучом.

Если вы ставите автомобиль на стоянку на длительное время в жаркое или холодное время года, подождите, пока температура в автомобиле не станет нормальной, перед тем как включать магнитолу.

Устанавливайте уровень звука таким, чтобы слышать исходящие снаружи предупредительные сигналы (звуковые сигналы автомобилей и т.п.).

НЕ открывайте крышки и не проводите ремонт самостоятельно. Обратитесь к дилеру или квалифицированному персоналу

Убедитесь, что источник питания и антенна отключены во время грозы или в случае, если системой не пользуются в течение длительного времени.

Убедитесь, что источник питания отключен, если обнаружена неправильная работа системы, система издает необычные звуки, запах, выделяет дым или внутрь ее попала жидкость. Проведите квалифицированный технический осмотр системы.

НЕ устанавливайте слишком высокий уровень громкости, поскольку это блокирует внешние звуки, делая вождение опасным.

Остановите автомобиль перед выполнением сложных операций.

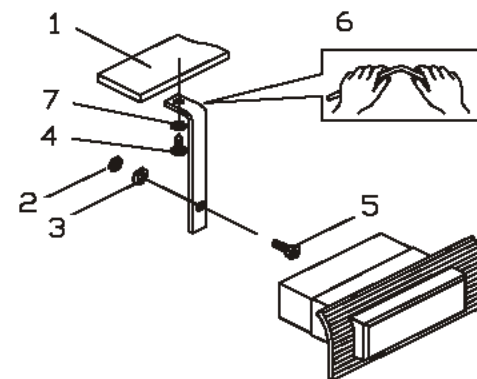
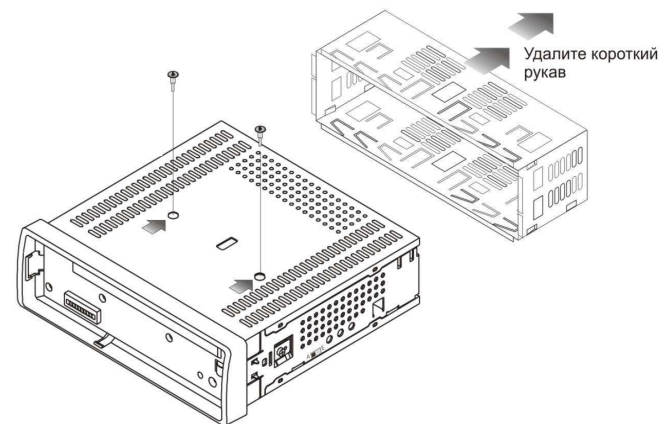
Установка/ подключение

Внимание: ПЕРЕД ПОДКЛЮЧЕНИЕМ НЕОБХОДИМО УДАЛИТЬ ДВА СД ДЕРЖАТЕЛЯ ИЗ ВЕРХНЕЙ ЧАСТИ УСТРОЙСТВА.

Первый вариант установки

После установки кожуха автомагнитолы в приборную панель автомобиля выберите на кожухе те металлические язычки, которые соответствуют толщине приборной панели, и отогните их, чтобы зафиксировать кожух на месте.

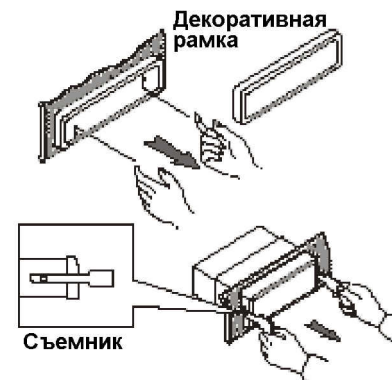
1. Приборная панель автомобиля
2. Гайка (5 мм)
3. Пружинная шайба
4. Винт (5 x 25 мм)
5. Винт
6. Металлическая планка
7. Плоская шайба



Снятие автомагнитолы

Вставьте пальцы в выемки на передней стороне рамки и вытяните рамку на себя.
(При установке декоративной рамки на место направьте сторону с выемками вниз и установите рамку.)

Вставьте съемники, входящие в комплект магнитолы, в пазы на обеих сторонах устройства, как показано на рисунке, чтобы они зафиксировались со щелчком.
Для того, чтобы вынуть магнитолу из приборной панели автомобиля, потяните за съемники на себя.

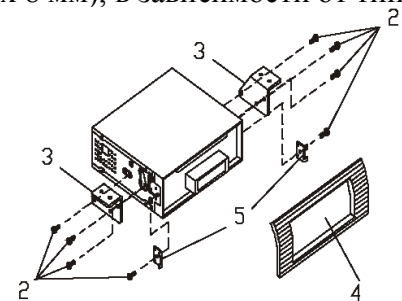
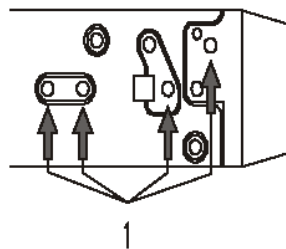


Второй вариант установки

Данный вариант установки предусматривает использование резьбовых отверстий, которые находятся на боковых панелях автомагнитолы.

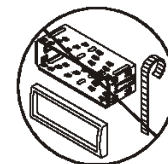
Закрепите магнитолу на крепежных кронштейнах штатного радиоприемника.

1. Выберите положение кронштейнов, при котором будут совмещены резьбовые отверстия на кронштейнах и резьбовые соединения на корпусе магнитолы. Закрепите кронштейны с обеих сторон магнитолы не менее чем в двух местах. Для этого используйте либо крепежные винты (5 x 8 мм), либо винты с потайной головкой (4 x 8 мм), в зависимости от типа резьбовых отверстий на кронштейне.
2. Винт.
3. Крепежные кронштейны штатного радиоприемника.
4. Приборная панель или консоль автомобиля.
5. Скоба (необходимо удалить).



Примечание:

При установке магнитолы по второму методу кожух, декоративная внешняя рамка и металлическая планка не используются.



Съемная панель

Снятие съемной панели

Выключите питание устройства.

Нажмите на кнопку снятия панели (рис. 1).

Снимите съемную панель (рис. 2).



Рис. 1

Рис. 2

Подсоединение съемной панели

1. Держите панель так, чтобы ее лицевая сторона была направлена на Вас, и установите левую сторону кронштейна панели (рис.3).
2. Нажмите на правую сторону панели, чтобы она защелкнулась (рис. 4)
3. Проверьте, что панель закреплена. Сделайте это сразу же, а не перед началом работы.

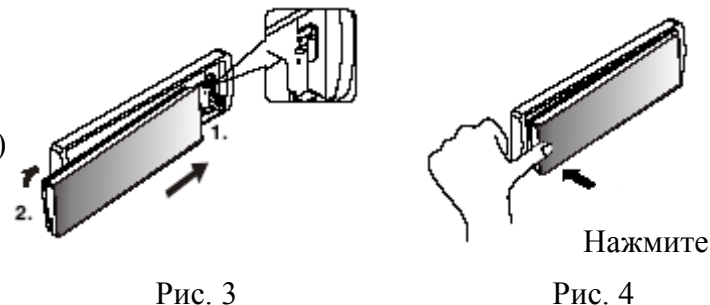


Рис. 3

Рис. 4

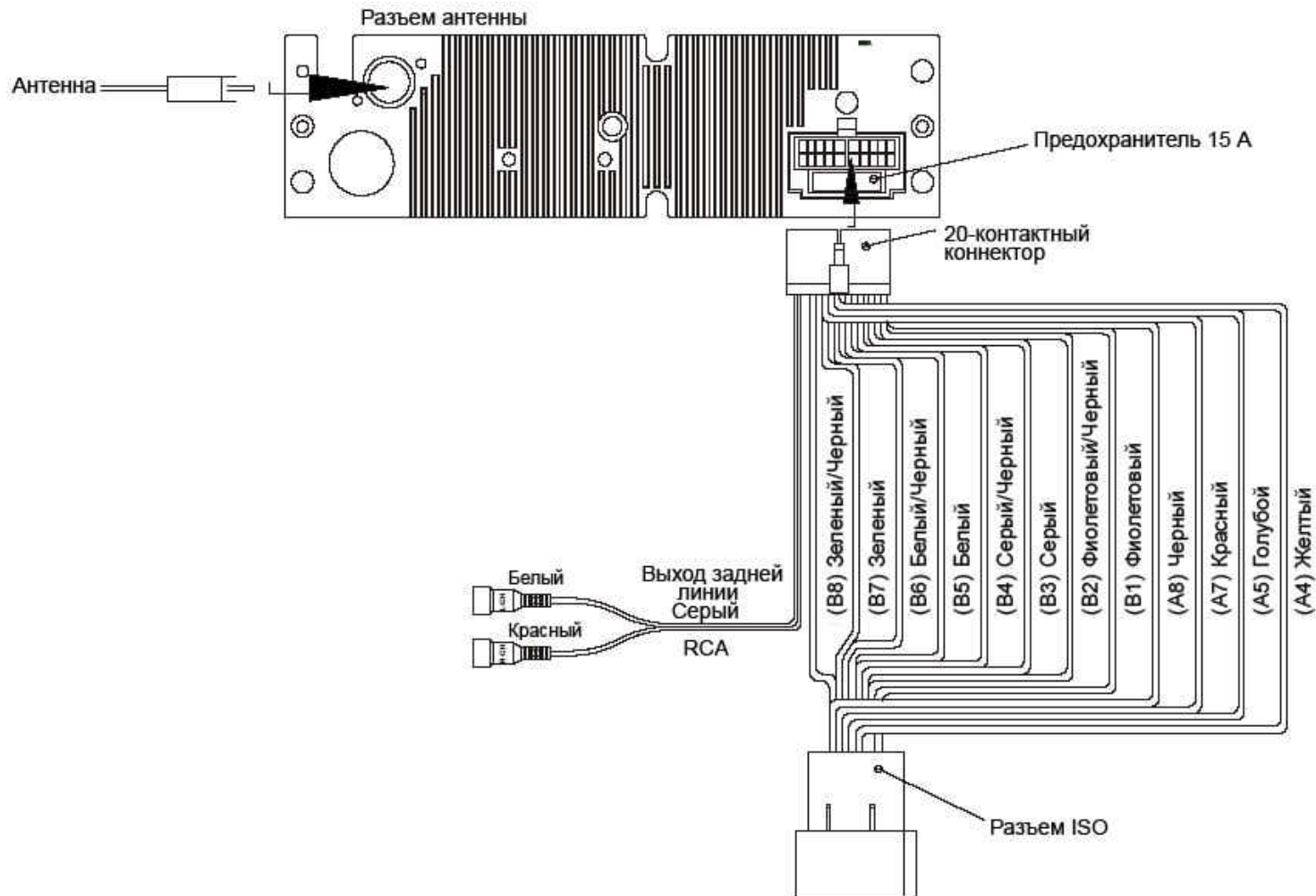
Внимание:

НЕ устанавливайте съемную панель правой стороной. Это может повредить ее.

Панель может повредиться из-за внешних факторов: тряски, ударов. После снятия ее с устройства держите панель в защитном футляре и старайтесь не ронять и не наносить физических повреждений.

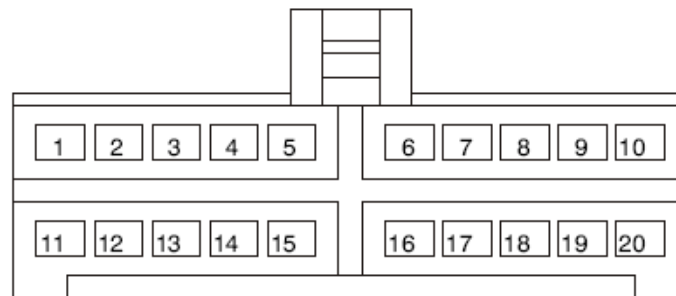
Очень важным элементом является коннектор на задней части панели. Не нажимайте на нее ногтями, ручками, отвертками. Если панель загрязнилась или запылилась, протрите ее сухой чистой тканью. Для чистки разъема в задней части панели используйте тампон, смоченный изопропиловым спиртом.

Схема электрических соединений



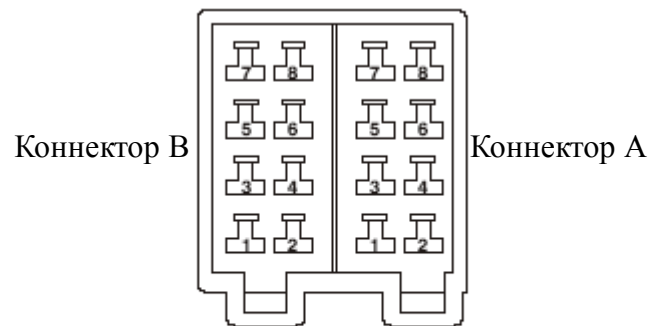
20-контактный коннектор

Конт.	Цвет провода	Функция/ Маркировка
1	Серый/Черный	Правая передняя колонка (-)
2	Серый	Правая передняя колонка (+)
3	Фиолетовый	Правая задняя колонка (+)
4	Фиолетовый/Черный	Правая задняя колонка (-)
5		
6	Зеленый	Левая задняя колонка (+)
7	Зеленый/Черный	Левая задняя колонка (-)
8	Красный	Память
9		
10		
11	Белый	Левая передняя колонка (+)
12	Белый/Черный	Левая передняя колонка (-)
13		
14	Голубой	Питание антенны
15	Желтый	Питание (+)
16	Черный	Заземление
17		
18		
19		
20		



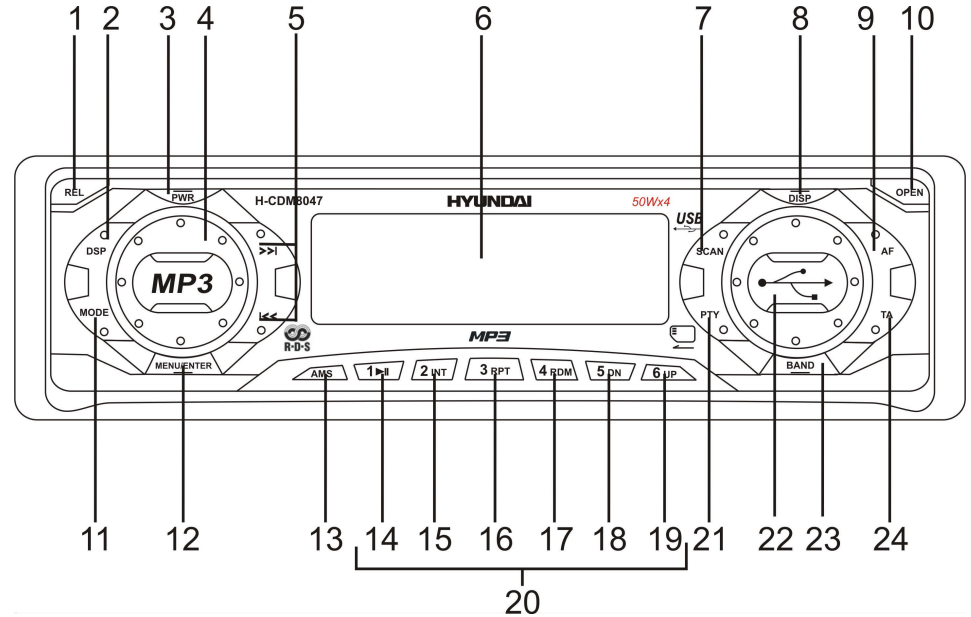
Разъем ISO (4 контакта+8 контактов)

Конт	Цвет провода	Функция/ Маркировка
A4	Желтый	Питание (+)
A5	Голубой	Питание антенны
A7	Красный	Память
A8	Черный	Заземление
B1	Фиолетовый	Правая задняя колонка (+)
B2	Фиолетовый/Черный	Правая задняя колонка (-)
B3	Серый	Правая передняя колонка (+)
B4	Серый/Черный	Правая передняя колонка (-)
B5	Белый	Левая передняя колонка (+)
B6	Белый/Черный	Левая передняя колонка (-)
B7	Зеленый	Левая задняя колонка (+)
B8	Зеленый/Черный	Левая задняя колонка (-)



Органы управления панели

1. Кнопка снятия панели REL
2. Кнопка DSP (настройка эквалайзера)
3. Кнопка включения/ выключения PWR
4. Регулировка громкости
5. Кнопки поиска радиостанций/ перемотки треков
6. Жидкокристаллический дисплей
7. Кнопка SCAN
8. Кнопка дисплея DISP
9. Кнопка AF
10. Кнопка OPEN
11. Кнопка MODE
12. Кнопка MENU/ ENTER
13. Кнопка AMS/ Кнопка поиска MP3
14. Кнопка Воспроизведение/ Пауза
15. Кнопка INT
16. Кнопка RPT (повтор трека)
17. Кнопка RDM (случайное воспроизведение)
18. Кнопка перемотки треков вниз
19. Кнопка перемотки треков вверх
20. Кнопки предварительной установки радио
21. Кнопка PTY (тип программы)
22. USB разъем
23. Кнопка BAND
24. Кнопка TA (дорожные объявления)



Основные функции

Кнопка включения/ выключения PWR [3]

Нажмите на эту кнопку, чтобы включить или выключить устройство.

Кнопка изменения громкости [4]

Когда Меню не активно, поворачивайте кнопку звука, чтобы изменять уровень громкости.

Когда Меню активно, поворачивайте эту кнопку, чтобы передвигаться по пунктам меню.

Кнопка MODE (режим) [11]

Нажимайте на эту кнопку, чтобы выбрать один из режимов:

- Режим радио
- CD/MP3 (когда в устройство вставлен один из дисков - CD или MP3 диск)
- USB (когда USB устройство вставлено в устройство)
- SD/MMC (когда SD или MMC карта вставлена в устройство)

Приоритет режима

Когда в устройство вставлено устройство USB или SD/MMC карта, устройство автоматически перейдет к режиму USB или SD/MMC, вне зависимости от того, в каком режиме он находился до этого.

Когда устройство USB или SD/MMC карта будут извлечены из устройства, оно автоматически перейдет в режим радио.

Кнопка MENU (меню) [12]

При помощи этой кнопки Вы можете производить следующие операции:

1. Аудио

Нажмите на кнопку MENU, чтобы войти в меню Аудио.

Нажмите на кнопку MENU несколько раз, чтобы выбрать одну из следующих функций:

VOLUME (VOL) > BASS (BAS) > TREBLE (TRE) > BALANCE (BAL) > FADER (FAD)

Вращайте кнопку регулировки громкости, чтобы настроить параметры каждой функции.

Внимание: если режим DSP активен, то функции BASS и TREBLE будут недоступны.

2. *Другие операции*

Нажимайте на кнопку MENU в течение 2-3 секунд, чтобы открыть меню других функций.

Нажмите на кнопку MENU несколько раз, чтобы выбрать нужную функцию.

Вращайте кнопку регулировки громкости, чтобы настроить параметры следующих функций:

а. Режим TA (программы о дорожном движении)

Некоторые FM-станции, поддерживающие RDS, периодически предоставляют информацию о дорожном движении.

Режимы TA SEEK и TA ALARM определяют поведение радиоприемника при включенном режиме TA, если отсутствует передача информации TP (программа движения) радиостанцией, на которую в данный момент настроен радиоприемник.

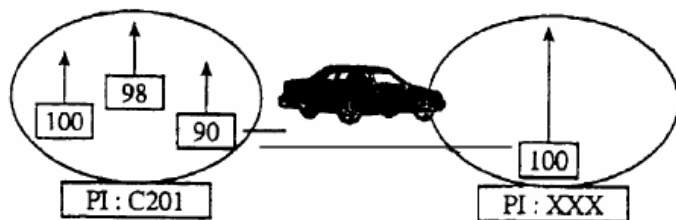
- *TA SEEK:* Если радиоприемник настраивается на радиостанцию, которая не передает информацию TP (Traffic Program – программы с информацией о дорожном движении) в течение нескольких секунд, радиоприемник перенастраивается на следующую станцию, которая не имеет тот же PI (код идентификации программы), что и предыдущая радиостанция, но передает информацию TP.

Если информация TP исчезает и не передается текущей настроенной радиостанцией в течение некоторого времени, радиоприемник перенастраивается на следующую радиостанцию, имеющую тот же PI. Если радиостанция с тем же PI не найдена в течение одного цикла поиска, радиоприемник перенастраивается на следующую радиостанцию, передающую информацию TP.

- *TA ALARM:* Когда выбран данный режим, функция автоматической перенастройки радиоприемника не работает. Вместо этого если радиоприемник настраивается на радиостанцию, которая не передает информацию TP в течение нескольких секунд, на дисплее на некоторое время появится мигающая надпись "NO TP, TA". Затем это сообщение будет регулярно повторяться на дисплее.

б. Режим MASK

Когда для станции, например, C201 включен режим, разрешающий переключение на альтернативную частоту (AF), радиоприемник может переключиться на частоту 100 МГц, которая не является подлинной частотой AF, а занята другой радиостанцией с другим значением PI, но с той же AF.



Если автомобиль перемещается в критической зоне, может появиться эффект частого переключения между двумя разными радиостанциями, потому что может быть принят другой код PI на частоте 100 МГц с PI "XXX".

Радиоприемник CD-ресивера имеет специальную процедуру, направленную на снижение данного неизбежного эффекта, которая, однако, из-за определенных собственных ограничений в некоторых случаях не позволяет решить данную проблему.

Радиоприемник в таком случае прекращает искать альтернативную частоту AF в течение некоторого времени. В этой ситуации радиоприемник будет маскировать сигнал ошибочно принимаемой радиостанции, в зависимости от выбранной опции:

У функции есть 2 режима:

- MASK PI:
Маскирует только альтернативные частоты с разными информационными программами.
- MASK ALL:

Маскирует и информационные программы, и станции, не поддерживающие RDS.

в. Retune R, Retune S

Retune-S или Retune-L – это выбор временного интервала повторного поиска в режиме TA Seek.

- Retune-S: короткий, интервал поиска в режиме TA SEEK 45 секунд.
- Retune-L: длинный, интервал поиска в режиме TA SEEK 180 секунд.

Замечание: Режим Retune для режима TA активен только для TA Seek.

г. Режим LOUD

Этот режим позволяет изменять уровень басов.

д. Режим ESP (электронная система стабилизации)

Электронная система стабилизации необходима при движении по неровной дороге.

Вы можете выбрать количество секунд, необходимых для системы:

- ESP 12 секунд: для дороги с обычным покрытием.
- ESP 45 секунд: для экстремальных условий поездки.

е. Режим BEEP

У этой функции есть 2 режима:

- BEEP ON: включает звуковые сигналы, когда заданная функция выполнена.
- BEEP OFF: выключает звуковые сигналы.

ж. Функция поиска радио станции

Вы можете выбрать один из следующих режимов поиска:

- SEEK 1: Нажимайте на кнопки поиска радио станций (назад/ вперед), чтобы начать пошаговый поиск радио станций и остановиться в любой момент, когда Вам понадобится.
- SEEK 2: Нажмите на кнопки поиска радио станций (назад/ вперед), чтобы начать пошаговый поиск радио станций. При этом радио остановится только тогда, когда радио станция с четким сигналом будет найдена.

з. Режим стерео

Эта функция позволяет выбирать режимы стерео или моно. В режиме моно прием сигнала с дальних станций будет лучше.

и. Режим DX

Эта функция позволяет выбирать режимы LOCAL и DISTANCE (DX) (режим местной или удаленной чувствительности тюнера).

Кнопка DSP (установка эквалайзера) [2]

Эквалайзер имеет следующие режимы: POP > ROCK > CLASSIC > FLAT > DSP OFF (DSP выключен).

В режиме выключенного DSP эквалайзера будут BASS/ TREBLE будут активны.

Кнопки поиска радиостанций (вперед/ назад) [5]

Пошаговая настройка радио: нажимайте на кнопки вперед/ назад.

Автоматический поиск радио: нажимайте кнопки вперед/ назад более 2 секунд.

Кнопка DISP (дисплей) [8]

При нажатии на эту кнопку в режиме радио на дисплее отобразится информация о частоте вещания радио станции, время и тип программы (PTY).

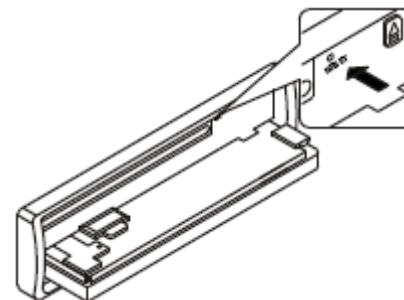
Кнопка SCAN (сканирование) [7]

При нажатии этой кнопки радио приемник начинает поиск станций радио вещания, найденные частоты будут мигать на экране в течение нескольких секунд.

Кнопка RESET (сброс)

Нажмите с помощью острого предмета на кнопку сброса, расположенную за передней моделью (как показано на рис.). Эта мера необходима в следующих ситуациях:

- Исходная установка устройства после подключения.
- Никакие кнопки не действуют. - Символы ошибок появляются на дисплее.



RDS (Система радио данных)

Сервис RDS доступен не во всех регионах. Имейте в виду, что если услуга RDS не доступна в Вашем регионе, то данная функция не будет работать. При приеме станций с RDS работают следующие функции:

Кнопка AMS [13]

- Нажмите на эту кнопку и удерживайте менее 1 секунды для сканирования предварительно установленных станций 1 – 6 в течение 5 секунд каждую. Во время сканирования на дисплее будет отображаться текущая частота. Чтобы остановить сканирование, нажмите на кнопку AMS еще раз.
- Нажмите и удерживайте эту кнопку более 2 секунд, 6 наиболее хорошо принимаемых станций будут автоматически сохранены в памяти кнопок предварительной установки 1 – 6. Чтобы остановить автоматическое сохранение, нажмите на кнопку AMS еще раз.

Кнопки предварительной установки радио станций (1-6) [20]

Вы можете хранить и воспроизводить 6 радио станций в каждом поддиапазоне.

Чтобы сохранить станцию:

- Выберите диапазон (если нужно).
- Выберите станцию.
- Нажмите и удерживайте в течение двух секунд кнопку с номером, под которым Вы бы хотели сохранить эту станцию. Номер сохраненной программы появится на дисплее вместе со звуковым сигналом.

Чтобы вызвать станцию:

- Выберите диапазон (если нужно).
- Нажмите на кнопку с номером нужной сохраненной станции.

Кнопка BAND (диапазон) [23]

Нажмите кнопку BAND для установки диапазона радиоприемника. (Можно и из режима воспроизведения CD).

Доступны 3 FM поддиапазона (FM1, FM2, FM3(OIRT)). Доступны 2 MW поддиапазона (MW1, MW2).

В каждом поддиапазоне Вы можете сохранить по 6 станций в память, всего 30 станций.

Кнопка AF (альтернативные частоты) [9]

Нажмите на эту кнопку, чтобы режим AF стал активным.

В активном режиме AF радио постоянно проверяет силу сигнала альтернативных частот.

При нажатии на эту кнопку более 2 секунд активизируется включение/ выключение регионального режима.

Включенный региональный режим:

Переключение AF или поиск информационных программ поменяются для станций с тем же кодом идентификации, что и текущая. Надпись REG появится на дисплее.

Выключенный региональный режим:

Региональный код формата информационной программы при переключении AF или поиске информационных программ игнорируется. В определенные периоды одни и те же станции, передающие информационные программы, могут переводить свои программы с обычного вещания на региональное вещание.

При выключенном региональном режиме, региональный код информационной программы будет игнорироваться. Радио может переключиться на местный вариант текущей программы. При включенном режиме радио переключится только на программу с тем же кодом идентификации.

Внимание: При включенном режиме переключения AF, если нажать на кнопки поиска радиостанций, приемник остановится на RDS станции.

Кнопка TA (поиск программ о дорожном движении) [24]

При быстром нажатии на кнопку режим TA включается или выключается.

При включенном режиме происходит следующее:

- Если проигрыватель находится в режиме воспроизведения дисков, устройство автоматически переключится на режим радио.
- Если уровень громкости был меньше определенного уровня, устройство автоматически повысит его до этого уровня.
- Когда информация о дорожном движении начнет транслироваться, на дисплее появится индикатор трансляции.

Внимание: при включенном режиме TA при нажатии кнопок вперед/ назад поиск закончится только на станции, передающей программу о дорожном движении.

КнопкаPTY (тип программы) [21]

FM-станции, поддерживающие RDS, передают идентифицирующий сигнал типа программы. При нажатии на эту кнопку режимыPTY будут отображаться в следующем порядке:

PTY Music Group > PTY Speech Group > PTY Off.

Текущий код типа программы будет отображаться на дисплее. Используйте 6 кнопок предварительной установки, чтобы выбрать другой код, используйте для информации следующую таблицу соответствия:

Номер кнопки	Музыкальная группа	Голосовая группа
M1	POP, ROCK	NEWS, AFFAIRS, INFO
M2	EASY, LIGHT	SPORT, EDUCATE, DRAMA
M3	CLASSICS,	CULTURE, SCIENCE, VARIED
M4	JAZZ, COUNTRY	WEATHER, FINANCE, CHILDREN
M5	NATION, OLDIES	SOCIAL, RELIGION, PHONE IN
M6	FOLK	TRAVEL, LEISURE, DOCUMENT

Когда код типа программы введен, приемник начнет поиск станции, которой соответствует введенный код.

Воспроизведение MP3

Замечания по MP3

MP3 - это краткое обозначение аудио слоя MPEG 3 и относится к стандарту технологии сжатия звука.

Данное изделие позволяет воспроизводить файлы MP3 на дисках CD-ROM, CD-R или CD-RW.

Изделие может считывать файлы MP3, записанные в формате, соответствующем ISO 9660. Однако оно не поддерживает данные MP3, записанные методом пакетной записи.

Изделие не может считывать файлы MP3, которые имеют расширение файла, отличающееся от “.mp3”.

Если вы воспроизводите не MP3 файл, который имеет расширение “.mp3”, вы можете слышать некоторые шумы.

В данном руководстве мы рассматриваем файлы, называемые “файлами MP3” и “папкой”, а в технологии PC “дорожкой” и “альбомом” соответственно.

Максимальное количество уровней директории равно 8, включая корневую директорию. Максимальное количество файлов и папок на диске 1000.

Изделие может не воспроизводить дорожки в последовательном порядке.

Изделие воспроизводит только аудио треки, если диск содержит как аудио треки, так и файлы MP3.

При воспроизведении диска 8 килобит или VBR истекшее время воспроизведения в окне дисплея будет неправильным, а также ознакомительное воспроизведение может не действовать надлежащим образом. VBR: Переменная скорость передачи битов.

Замечание по созданию собственных CD-R или CD-RW, содержащих файлы MP3

Для получения высокого качества звука мы рекомендуем преобразовывать файлы MP3 с эталонной частотой 44,1 кГц и фиксированным битрейтом 128 кбит/сек.

НЕ сохраняйте более 1000 файлов MP3 на диске, 2000 файлов для устройства USB (FAT 12/16).

Для формата, совместимого с ISO 9660, максимально допустимая глубина вложенных папок равняется 8, включая корневую директорию (папку).

При использовании диска CD-R воспроизведение возможно только для дисков, которые были закончены.

Убедитесь, что при записи MP3 CD-R или CD-RW были отформатированы как диски данных, а НЕ как аудио диски. Вы не должны записывать не-MP3 файлы или ненужные папки вместе с файлами MP3 на диск, в противном случае потребуется много времени, пока изделие начнет воспроизводить файлы MP3.

На некоторых CD-R или CD-RW данные могут быть записаны ненадлежащим образом в зависимости от качества их производства. В этом случае данные могут быть воспроизведены ненадлежащим образом. Рекомендуются диски CD-R или CD-RW высокого качества.

Имя альбома или композиции может содержать до 16 символов. Необходима версия 1.x или 2.x ID3TAG.

Помните, что изделие может воспроизводить треки не в том порядке, в котором они записаны на диске.

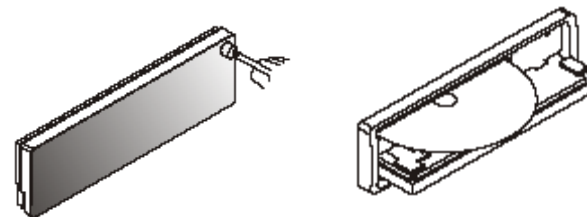
Во время воспроизведения диска MP3 имя файла/папки и ID3 TAG (название песни, альбом и исполнитель) могут прокручиваться на дисплее.

Истекшее время воспроизведения и номер трека – номер и имя папки – Номер и имя файла – Название песни – Название альбома – Имя исполнителя.

Загрузка диска

Нажмите на кнопку Open [10], чтобы панель открылась вниз, вставьте диск в отверстие для диска.

Диск автоматически загрузится и начнется воспроизведение.



Кнопка выброса диска EJECT

Нажмите на эту кнопку при открытой панели, чтобы вынуть диск. Эта кнопка находится на задней стороне панели.

Воспроизведение диска/ пауза [14]

Нажмите и удерживайте эту кнопку для паузы. Нажмите снова, чтобы продолжить воспроизведение.

Нажимайте на эту кнопку продолжительное время, чтобы активизировать функцию Первого трека. При очередном включении устройства воспроизведение диска начнется не с того трека, на котором устройство было выключено в последний раз, а с первого.

Кнопка INTRO (воспроизведение первых 10 секунд треков) [15]

Нажмите на эту кнопку, чтобы включить функцию Intro. Только первые 10 секунд каждого трека будут воспроизводиться. Нажмите на эту кнопку еще раз, чтобы вернуться к нормальному воспроизведению.

Кнопка RPT (повтор трека) [16]

Нажмите на эту кнопку, чтобы включить функцию повтора трека. При нажатии на эту кнопку еще раз функция выключается.

Кнопка RDM (случайное воспроизведение) [17]

Нажмите на эту кнопку, чтобы начать случайное воспроизведение треков. При нажатии на эту кнопку еще раз функция выключается.

Кнопки поиска треков вперед и назад [18, 19]

Нажимайте на кнопки вперед и назад, чтобы перескочить через 10 треков вниз или вверх соответственно.

ID3 тэг

Во время воспроизведения файлов MP3 с CD диска, USB/SD/MMC имя файла/папки и ID3 TAG (название песни, альбом и исполнитель) могут прокручиваться на дисплее. Нажатием кнопки BAND Вы можете посмотреть ID3 информацию в следующем порядке:

Название файла – Название папки – Название песни – Имя исполнителя – Название альбома.

Если файл не содержит ID3 информации, во время воспроизведения файла на дисплее будут прокручиваться только его название и название папки.

Поиск композиции MP3

Нажмите кнопку AMS для выбора режима “TRACK SCH”.

Нажмите кнопку регулировки, на дисплее будет представлено “001”.

Если необходимый вам номер трека меньше 100, вращением кнопки регулировки выберите единицы номера трека и нажмите кнопку регулировки еще раз, затем вращением кнопки регулировки выберите десятки номера трека. Нажмите кнопку регулировки вновь и удерживайте более 0,5 секунды для воспроизведения трека.

Если необходимый вам номер трека больше 100, вращением кнопки регулировки выберите сотни и нажмите кнопку регулировки для подтверждения. Вращением кнопки регулировки выберите десятки номера трека и нажмите кнопку регулировки для подтверждения. Вращением кнопки регулировки выберите единицы номера трека и нажмите кнопку регулировки для подтверждения. Нажмите кнопку регулировки вновь для воспроизведения трека.

Примечание: Если номер трека, введенный вами, выше максимального номера файла, то будет воспроизводиться последняя композиция.

Поиск файла MP3

Дважды нажмите кнопку AMS для выбора режима “FILE SCH”. Нажмите кнопку регулировки для ввода. Вращением кнопки регулировки выберите папку. Если вы хотите воспроизводить песни из данной папки, нажмите кнопку регулировки и удерживайте более 0,5 секунды для воспроизведения первой композиции папки. Если вы хотите воспроизводить необходимую композицию папки, нажмите кнопку регулировки и вращайте ее для выбора необходимой вам композиции. Нажмите кнопку регулировки вновь для воспроизведения трека. RDS (Система радио данных)

Сервис RDS доступен не во всех регионах. Имейте в виду, что если услуга RDS не доступна в Вашем регионе, то данная функция не будет работать. При приеме станций с RDS работают следующие функции:

Поиск по символам

Нажмите кнопку AMS три раза, чтобы выбрать режим «CHAR SCH» (поиск по символам).

Нажмите кнопку регулировки, на дисплее отобразится «А».

Если удерживать кнопку регулировки более 0.5 секунды, будет воспроизведен трек, название которого начинается с «А».

Вращением кнопки регулировки выберите 1-ый символ нужного названия трека и нажмите кнопку регулировки, чтобы подтвердить выбор.

Символ «А» мигает на следующей позиции. Выберите 2-ой и другие символы нужного названия трека как указано выше.

Удерживайте кнопку регулировки более 0.5 секунды, чтобы воспроизвести трек с выбранным названием.

Воспроизведение USB/SD/MMC MP3

1. Вставка карты SD/MMC

Вставьте карту SD/MMC в слот, передней стороной вправо.

Начнется автоматическое воспроизведение и на экране отобразится MEM-CARD.

2. Извлечение карты SD/MMC

Нажмите кнопку SRC и переключитесь на режим отсутствия карты, затем нажмите на карту и выньте ее из слота.

3. Загрузка USB носителя

Отогните резиновую заглушку, вставьте USB носитель в разъем. На экране отобразятся файлы, находящиеся на USB носителе, на экране появится надпись USB-DRIV.

4. Извлечение USB носителя

Нажмите кнопку SRC и переключитесь на другой режим, выньте носитель и закройте заглушку.

Примечания по USB/SD/MMC разъемам:

Воспроизведение MP3 файлов с USB карт (флеш-память).

- Поддержка карт памяти SD/MMC (до 2 Гб)
- Поддержка USB флеш-карты 2 в 1 (SD/MMC)
- Поддержка FAT 12/FAT16/FAT32
 - FAT 12/16 (поддержка 200 папок, 500 файлов)
 - FAT 32 (поддержка 200 папок, 500 файлов)
- Имя файла: 32 байта / имя папки: 32 байта

- Тэг (id3tagver2.0)
имя/исполнитель/альбом: поддержка 32 байтов
- Многофункциональный карт-ридер не поддерживается
- Поддержка формата USB 1.1
- Поддержка устройств формата USB 2.0 (скорость USB 2.0 не поддерживается. USB-носитель с поддержкой скорости USB 2.0 автоматически будет работать со скоростью USB 1.1)

Примечание:

Поддержка брендов SD карт памяти: Canon, Fujifilm, Palm, Motorola, Microsoft, IBM, HP, Compaq, Sharp, Samsung, и т. д.

Емкость: 8 Мб ~ 2 Гб.


Поддержка брендов MMC карт памяти : Ericsson, Nokia, Motorola, HP, Palm, Sanyo, Microsystems, и т.д.

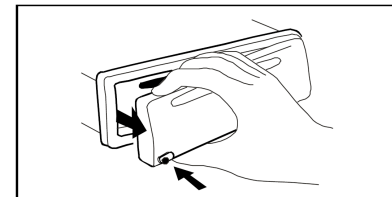
Емкость: 16 Мб ~ 2 Гб.

Система защиты от воров

Данное изделие снабжено сдвигаемой съемной и маскирующей панелью. Панель можно снять и взять с собой, что помогает избежать воровства.

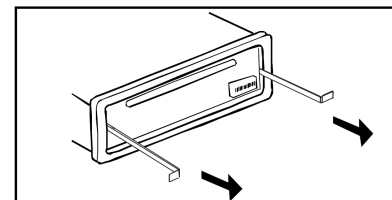
Съем панели

1. Нажмите кнопку POWER и удерживайте более 0,5 секунды для отключения питания изделия.
2. Нажмите кнопку , чтобы сдвинуть панель вниз.
3. Выньте панель.
4. Поместите панель в портфель и возьмите ее с собой, когда вы покидаете автомобиль.



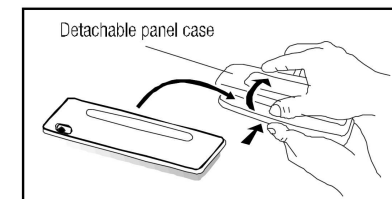
Установка панели

1. Держите панель так, чтобы ее лицевая сторона была направлена на вас, и установите левую сторону кронштейна панели.
2. Нажмите на правую сторону панели, чтобы она защелкнулась.



Съем изделия

1. Выключите питание изделия.
2. Снимите панель.
3. Вставьте два T-образных ключа в отверстие лицевой стороны, пока не услышите щелчок.
4. Выньте изделие.



Обращение с компакт-дисками

Грязные, поцарапанные или погнутые диски могут вызвать искажение звука или шумы

Держите диск только за края. Чтобы обеспечить чистоту, не прикасайтесь к его поверхности.

Диски должны храниться в их чехлах после использования, чтобы не поцарапать их поверхность

Не подвергайте диски действию прямого солнечного света, повышенной влажности, повышенным температурам или действию пыли.

Продолжительное влияние предельных температур может изогнуть диск (например, пребывание дисков в автомобиле в летнее время).

Не царапайте и не пишите что-либо на любой стороне диска. Острые пишущие инструменты или чернила, используемые в них,

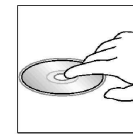
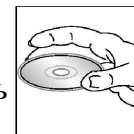
могут повредить поверхность диска.

НЕ ПРИКАСАЙТЕСЬ к стороне, не имеющей маркировки.

НЕ ПРИКРЕПЛЯЙТЕ какую-либо печать, этикетку или лист предохранения данных к любой стороне диска.

Данное изделие не может воспроизводить CD размером 3 дюйма (8 см).

Никогда не вставляйте CD размером 3 дюйма, установленный в адаптер, или CD неправильной формы. Изделие не сможет выбросить его, что приведет к сбою.



Чистка и уход

Чистка корпуса

Протирайте мягкой тканью. Если корпус очень загрязнен (не мочите его), используйте ткань, слегка смоченную мыльным раствором, и затем вытрите его сухой тканью.

Чистка дисков

Отпечатки пальцев должны быть тщательно стерты с поверхности диска мягкой тканью. В отличие от обычных пластинок, компакт-диски не имеют канавок для сбора пыли и микроскопических частиц грязи, поэтому осторожно вытирайте их мягкой тканью, чтобы убрать частицы грязи. Вытирайте прямолинейным движением от центра к краю.

Никогда не используйте растворитель, бензин, очиститель пластинок или антистатический аэрозоль для чистки дисков. Такие химические вещества могут повредить его пластиковые поверхности.



Комплектация

Установочная втулка	1 шт.
Саморез M5x6 мм	4 шт.
M4x6 мм	4 шт.
Установочный болт (50 мм)	1 шт.
Разъем	1 шт.
Съемный корпус лицевой панели	1 шт.
Декоративная панель	1 шт.
T – образный ключ	2 шт.
Инструкция по эксплуатации	1 шт.
Резиновая прокладка	1 шт.

Руководство по устранению неисправностей

Общие Нет питания или нет звука	Двигатель автомобиля не заведен. Установите ключ автомобиля в положение ACC или ON. Кабель подключен неправильно. Проверьте подключение. Сгорел предохранитель. Замените предохранитель. Проверьте, включен или выключен звук.
Диск Диск вставлен, но звука нет.	Диск перевернут. Установите диск правильно, этикеткой вверх. Диск загрязнен или поврежден. Очистите диск или замените его. Уровень громкости на минимуме. Установите желаемый уровень громкости. Кабель подсоединен неправильно. Проверьте соединение. Слишком высокая температура внутри автомобиля. Проветрите салон.
Звук искажен, низкое качество звучания.	Диск загрязнен или поврежден. Очистите диск или замените его.
Звук искажается в результате вибраций.	Угол установки более 30 °, установите угол менее 30 ° Ненадежная установка. Установите изделие надежно при помощи установочных деталей.
Кнопки не работают	Из-за помех встроенный микрокомпьютер работает неправильно. Нажмите на кнопку RESET. Съемная панель установлена неправильно. Переустановите ее.
Радио Сильные шумы при приеме	Станция расположена слишком далеко, или сигнал слишком слабый. Выберите другие станции с высоким уровнем сигнала. Не подсоединена антенна. Установите антенну.
Представляются сообщения об ошибке	ERROR 1: Механическая ошибка: Нажмите на кнопку RESET. Если сообщение об ошибке не исчезает, обратитесь к специалисту ближайшего сервиса. ERROR 2: Ошибка сервера: Нажмите на кнопку RESET. Если сообщение об ошибке не исчезает, обратитесь к специалисту ближайшего сервиса.

Технические характеристики

Общие. Источник питания	11-14 В, заземление минуса
Максимальная выходная мощность	50 Вт x 4 канала
Номинальная выходная мощность (RMS)	25 Вт x 4 канала (4 Ω 10 % T.H.D.)
Требуемый импеданс динамика	4 Ом
Выходное напряжение	2.0 В (режим воспроизведения CD: 1 кГц, 0 дБ, 10 К Ω нагрузка)
Предохранитель	15 А
Размеры (Ш x В x Д)/ Вес	178 x 50 x 166 мм/ 1.7 кг
ESP	CD (45 с), MP3 (120 с)
Сtereo FM радио. Частотный диапазон	65.0 – 108.0 МГц
Частотный отклик/ Разделение stereo	30 Гц – 15 кГц/ 25 дБ (1 кГц)
Отношение отклика IF/ Отношение сигнал/шум	50 дБ/ 70 дБ
Сигнал/ шум	50 дБ
AM радио. Частотный диапазон	522-1620 кГц
Используемая чувствительность(C/Ш = 40 дБ)	45 дБ
Плеер дисков. Система	Дисковая цифровая аудио система
Частотный отклик	5 Гц- 20 кГц
Отношение сигнал/шум / Разделение каналов	> 80 дБ/ > 55 дБ
Общее искажение гармоник	Менее 0.2 % (1 кГц)
Детонация и искажение	Ниже пределов измерения

Технические характеристики могут быть изменены заводом-изготовителем без предварительного уведомления.

Указанные масса и геометрические размеры имеют приблизительные значения.

Free Manuals Download Website

<http://myh66.com>

<http://usermanuals.us>

<http://www.somanuals.com>

<http://www.4manuals.cc>

<http://www.manual-lib.com>

<http://www.404manual.com>

<http://www.luxmanual.com>

<http://aubethermostatmanual.com>

Golf course search by state

<http://golfingnear.com>

Email search by domain

<http://emailbydomain.com>

Auto manuals search

<http://auto.somanuals.com>

TV manuals search

<http://tv.somanuals.com>