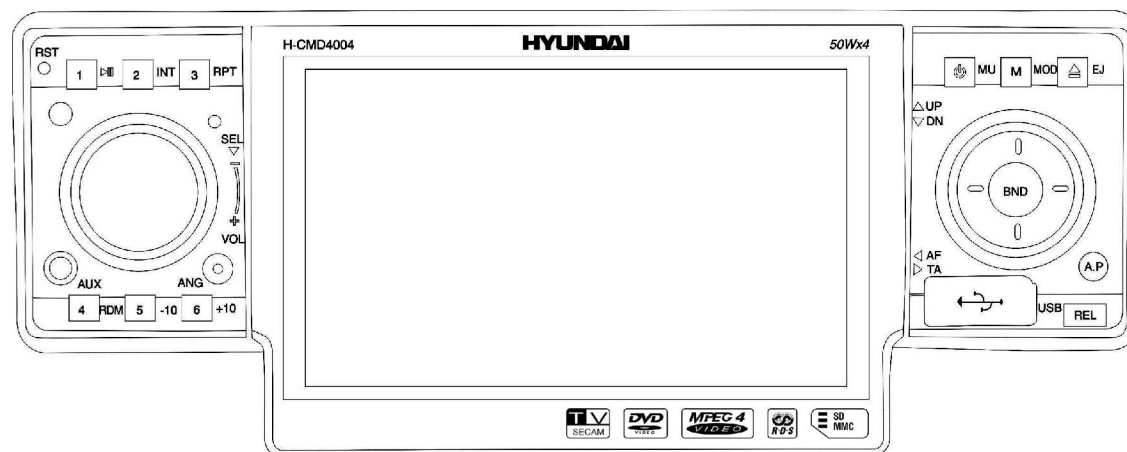


HYUNDAI

H-CMD4004



MULTIMEDIA DVD/CD/MP3 RECEIVER WITH BUILT-IN 4" TFT DISPLAY AND TV TUNER

Instruction manual

МУЛЬТИМЕДИЙНЫЙ DVD/CD/MP3-РЕСИВЕР СО ВСТРОЕННЫМ 4" TFT-ДИСПЛЕЕМ И ТВ-тюнером

Руководство по эксплуатации

Dear customer!

Thank you for purchasing our product. For safety, it is strongly recommended to read this manual carefully before connecting, operating and/or adjusting the product and keep the manual for reference in the future.

Table of contents

Table of contents	2
Important safeguards	3
Accessories.....	4
Installation/connection.....	5
Panel controls	10
General operation	16
Digital tuner	18
Disc/USB/SD/MMC operations	21
MP3/WMA overview	30
System setup menu	32
TV Operation.....	36
Anti-theft system	38
Handling discs	39
Troubleshooting guide	40
Specification.....	41

Important safeguards

- Using the device at temperature below -10°C may cause the breakage of the device. Before using please heat up the passenger compartment to the recommended temperature!
- Disconnect the vehicle's negative battery terminal while mounting and connecting the unit.
- When replacing the fuse, be sure to use one with an identical amperage rating. Using a fuse with a higher amperage rating may cause serious damage to the unit.
- Do not attempt to disassemble the unit. Laser beams from the optical pickup are dangerous to the eyes.
- Do not use the unit in places where it can be exposed to water, moisture and dust.
- Make sure that pins or other foreign objects do not get inside the unit; they may cause malfunctions, or create safety hazards such as electrical shock or laser beam exposure.
- If you have parked the car for a long time in hot or cold weather, wait until the temperature in the car becomes normal before operating the unit.
- Do not open covers and do not repair yourself. Consult the dealer or an experienced technician for help.
- Make sure you disconnect the power supply and aerial if you will not be using the system for a long period or during a thunderstorm.
- Make sure you disconnect the power supply if the system appears to be working incorrectly, is making an unusual sound, has a strange smell, has smoke emitting from it or liquids have got inside it. Have a qualified technician check the system.
- The unit is designed for negative terminal of the battery, which is connected to the vehicle metal. Please confirm it before installation.
- Do not allow the speaker wires to be shorted together when the unit is switched on. Otherwise it may overload or burn out the power amplifier.

Accessories

Remote control

ISO connector

RCA cable

AV-in cable

Mounting parts

Instruction manual

Consumer information

Warranty card

Front panel case

Receiver

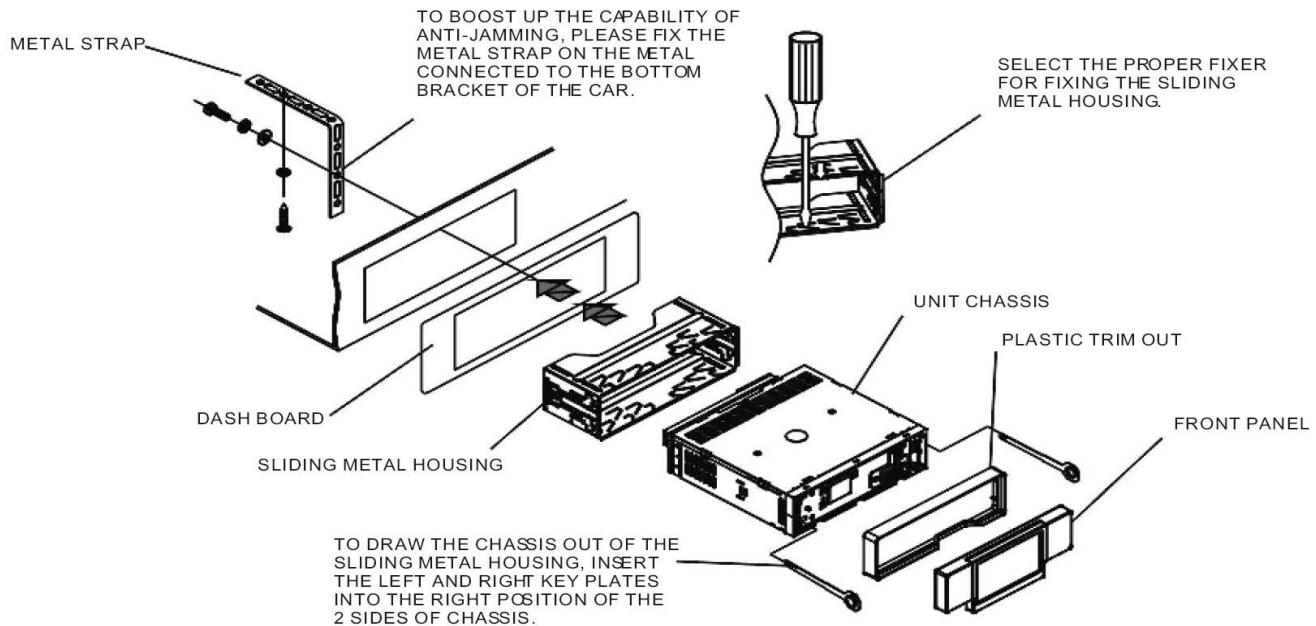
Installation/connection

First complete the electrical connections, and then check them for correctness.

Installation way

It is an anti-theft installation way. The chassis wear a metal sliding housing. Please have the wiring connection of the power supply, speakers and antenna as for the requirement of the manual, and then install the metal sliding housing into the car according to the diagram.

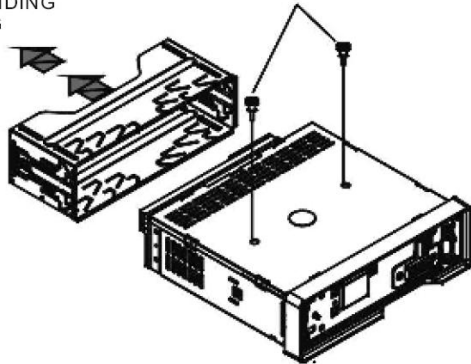
INSTALLATION INSTRUCTIONS



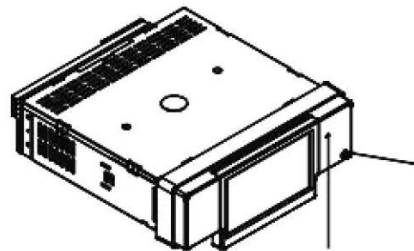
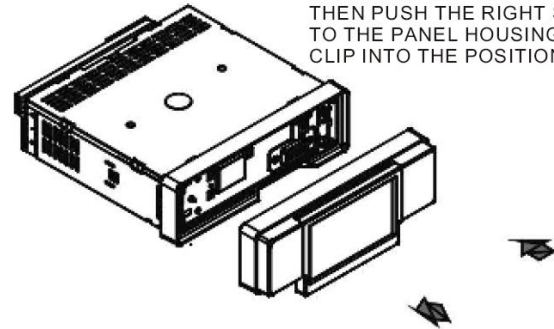
NOTE

REMOVE THE SLIDING
METAL HOUSING

REMOVE THE DECK TRANSPORT SCREWS
BEFORE INSTALLING THE UNIT.



TO INSTALL THE FRONT PANEL
BACK INTO THE PANEL HOUSING,
FIRSTLY INSTALL THE LEFT SIDE
BACK INTO THE RIGHT POSITION,
THEN PUSH THE RIGHT SIDE BACK
TO THE PANEL HOUSING TILL IT
CLIP INTO THE POSITION.



RESET BUTTON

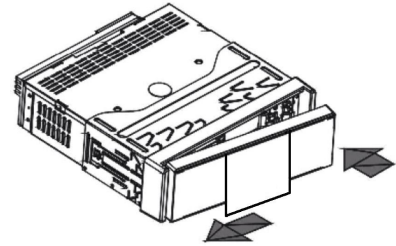
TO REMOVE THE FRONT PANEL
FROM THE PANEL HOUSING,
FIRSTLY PRESS THE REL BUTTON
TO DETACH THE FRONT PANEL
FROM THE PANEL HOUSING, THEN
HOLD THE FRONT PANEL UPWARD
A LITTLE AND THEN REMOVE IT.

PRESS RESET BUTTON TO RESUME
THE DISTORTED PROGRAM WHEN
THE LCD DISPLAY IMPROPERLY AND
SOME BUTTONS ARE INVALID.

Detachable control panel

Detaching the front panel

Press REL button to remove the panel.



Attaching the control panel

1. Insert the left side of the control panel into the main unit.
2. Press the control panel on to the right side of middle of it until a “click” sound is heard.

Caution:

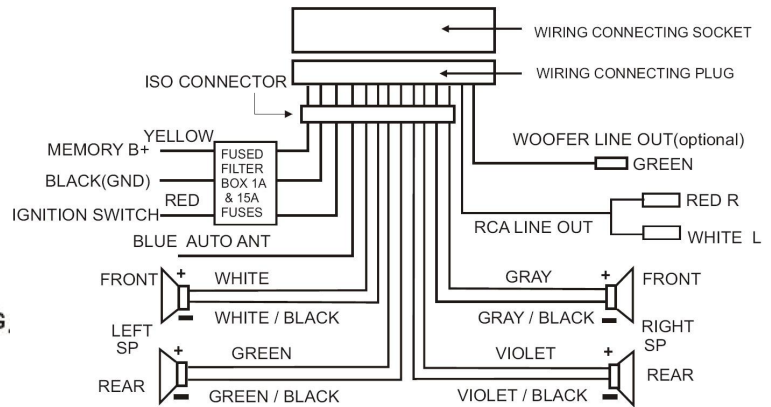
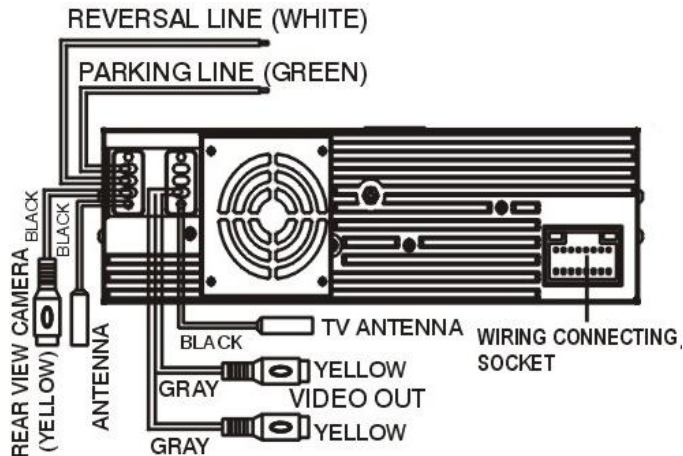
DO NOT insert the control panel from the right side. It can damage the control panel.

The control panel can easily be damaged by shocks. After removing it, place it in a protective case and be careful not to drop it or subject it to strong shocks.

The rear connector that connects the main unit and the control panel is an extremely important part. Be careful not to damage it by pressing on it with fingernails, pens, screwdrivers, etc.

Note: If the control panel is dirty, wipe off the dirt with soft, dry cloth only. And use a cotton swab soaked in isopropyl alcohol to clean the socket on the back of the control panel.

Electrical connection



Notes: Only speakers with 4 ohms impedance may be used. Ensure that the blue auto antenna cable does not make contact with any ground connection.

After connecting the Parking Line, the video on the small monitor of the front panel will be display only after braking the car.

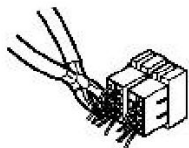
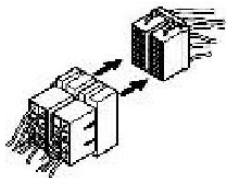
Use the clip end of a Ground Line provided by manufacturer to connect the Fixing Screw Bolt, use another end of the Ground Line to connect the negative pole of the power source. Otherwise, the video on screen maybe flashing.

Caution: Do not interchange the connection of the wiring!

For some car models you may need to modify wiring of the supplied power cord. Contact your authorized car dealer before installing this unit.

For your driving safety, please link your parking wire with low power level, and keep it controlled by manual brake switch. Wire should be high power level and the unit cannot play video disc.

Using the ISO Connector

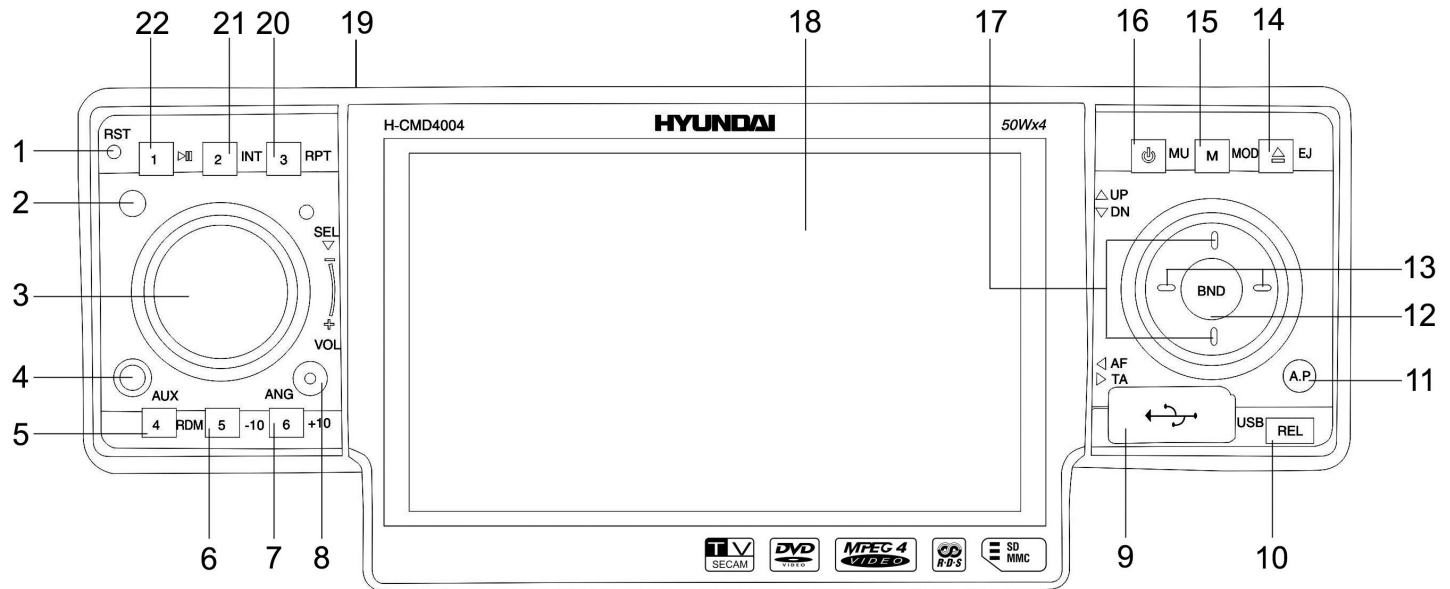


1. If your car is equipped with the ISO connector, then connect the ISO connectors as illustrated.
2. For connections without the ISO connectors, check the wiring in the vehicle carefully before connecting, incorrect connection may cause serious damage to this unit.
3. Cut the connector, connect the colored leads of the power cord to the car battery as shown in the color code table below for speaker and power cable connections.

Function			
N^o	Connector A	N^o	Connector B
1		7	Rear Right(+)--Violet
2		8	Rear Right(--Violet /Black Stripe
3		9	Front Right(+)--Gray
4	Battery 12V (+)/yellow	10	Front Right(--Gray/Black Stripe
5	Auto Antenna/blue	11	Front Left(+)--White
6		12	Front Left(--White/Black Stripe
7	ACC+/red	13	Rear Left(+)--Green
8	Ground/black	14	Rear Left(--Green/Black Stripe

Panel controls

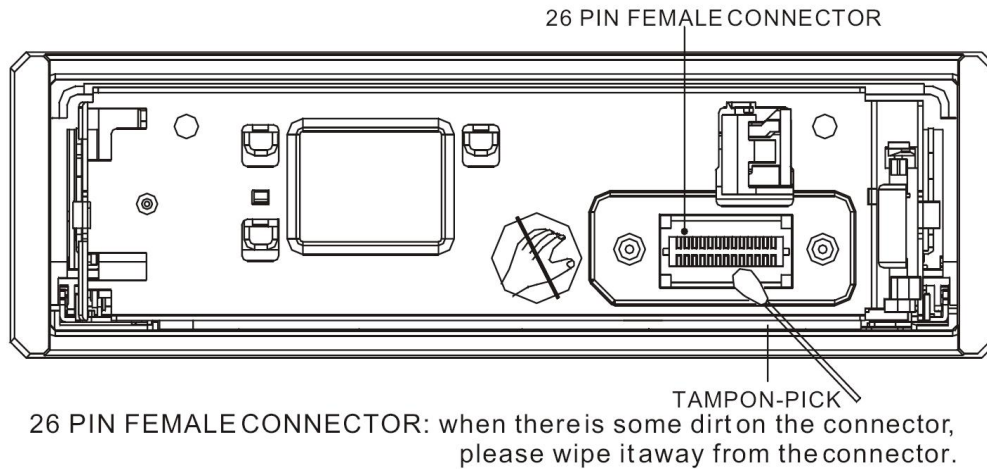
Front panel



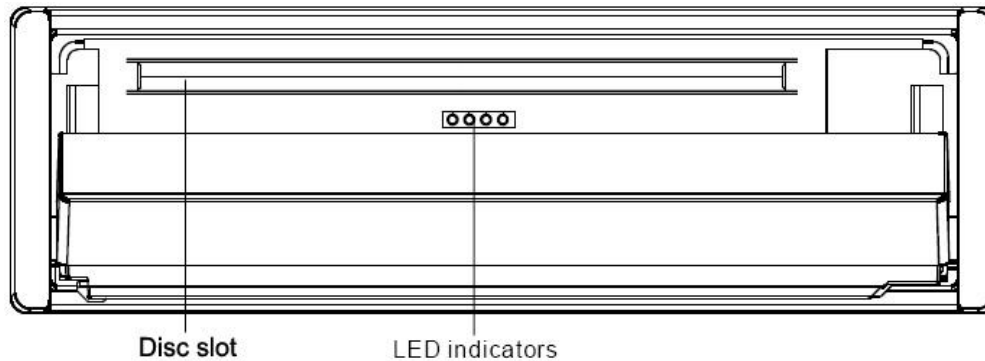
1. RESET (RST) button
2. Infra red sensor
3. VOL knob/SEL button
4. AUX in
5. 4/RDM button
6. 5/-10 button
7. 6/+10 button

8. ANG button
9. USB jack
10. REL button
11. A.P. button
12. BND button
13. LEFT(AF)/RIGHT(TA) buttons
14. EJECT (EJ) button
15. MOD button
16. PWR/MU button
17. UP/DN buttons
18. TFT display
19. SD/MMC slot
20. 3/RPT button
21. 2/INT button
22. 1/PLAY/PAUSE button

Description of the Unit Chassis Facet After removing the Front Panel

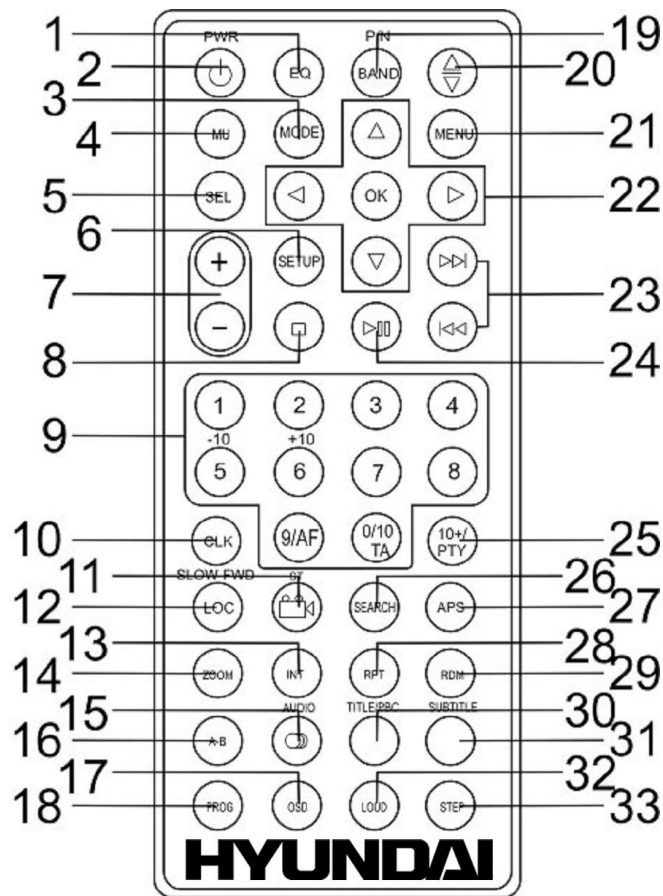


Description of the Unit Chassis Facet After Sliding Down the Front Panel



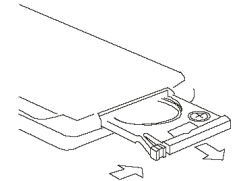
Remote controller (RC)

1. EQ button
2. PWR button
3. MODE button
4. MU button
5. SEL button
6. SETUP button
7. +/- buttons
8. STOP button
9. Buttons with digits/AF button/TA button
10. CLK button
11. ANGLE/ST button
12. LOC/SLOW_FWD button
13. INT button
14. ZOOM button
15. AUDIO button
16. A-B button
17. P/N/BAND button
18. TILT button
19. MENU button
20. UP/DOWN/RIGHT/LEFT cursor buttons/OK button
21. PREV/NEXT buttons
22. PLAY/PAUSE button

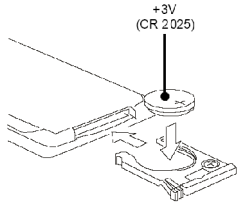


25. 10+/PTY button
26. SEARCH button
27. APS button
28. RPT button
29. RDM button
30. TITLE/PBC button
31. SUBTITLE button
32. LOUD button
33. STEP button

Changing the battery



1. Press the catch and at the same time pull out the battery tray.



2. Insert the 1 x lithium battery, type CR 2025 3V battery with the stamped (+) mark facing upward. Insert the battery tray into the RC.

Warning:

- Store the battery where children cannot reach. If a child accidentally swallows the battery, consult a doctor immediately.
- Do not recharge, short, disassemble or heat the battery or dispose it in a fire.
- Do not expose or bring into contact the battery with other metallic materials. Doing this may cause the battery to give off heat, crack or start a fire.
- When throwing away or saving the battery, wrap it in tape and insulate; otherwise, the battery may give off heat, crack or start a fire.

General operation

Reset the unit

Operating the unit for the first time or after replacing the car battery, you must reset the unit. Press RESET button on the panel to restore the unit to the original factory settings.

Power on/off

Press PWR/MU button on the panel or PWR button on the RC to turn the unit on. Long press PWR/MU button on the front panel or briefly press PWR button on the RC to turn the unit off.

Note: After the unit is off, the volume level and radio current settings will be memorized, and when you turn the unit on it will resume the stored status, which you set.

Volume control

Rotate the VOL knob on the panel or press +/- buttons on the RC to adjust the volume level.

Mute function

Press PWR/MU button on the panel or MU button on the RC to mute volume control. Press MU, EJECT, SEL, PWR, MODE or +/- buttons to resume the volume.

Setting the sound characteristics

Press SEL button to select the mode: VOL => BAS => TRE => BAL => FAD. Press +/- buttons on the RC or rotating the VOL knob to adjust each mode.

Note:

- If turning off the power all the settings of each mode will be saved.
- If turning off the ACC power all the settings will become as they were set on the plant as current.

Mode control

Press MOD button on the panel or MODE button on the RC to select the different playing modes: => TUNER

=> DISC (the type of disc in the unit if there is any) => USB (if the USB device is inserted) => CARD (if the SD/ MMC card is inserted) => AUX => TV.

Clock setting

1. Press CLK button on the RC to show the clock on the display.
2. Press and hold CLK button, the hour will change its color. Press +/- buttons on RC or rotate the VOL knob on the panel to adjust the hour.
3. Press briefly SEL button again, the minute will change its color. Press +/- buttons on RC or rotate the VOL knob on the panel to adjust minutes.

Loud mode

Press LOUD button on the RC to turn on/off LOUD mode. When turning on LOUD mode, it will enhance bass level immediately when the bass is not enough.

Equalizer mode

Press EQ button on the RC to select the preset music equalizer curves: => POP => ROCK => CLAS => FLAT. The sound effect will be changed.

Panel angle adjusting

Press TILT button on the RC or ANG button on the panel repeatedly to select a optical angle: => ANGLE0 => ANGLE1 => ANGLE2 => ANGLE3 => ANGLE4.

Digital tuner

Note: RDS (Radio Data System) service availability varies with areas. Please understand if RDS service is not available in you area, the following service is not available, either.

Band selection

Press MOD button on the panel or MODE button on the RC to select the TUNER mode.

Press P/N/BAND button on the RC or BND button on the panel once or more to select: FM1, FM2, FM3, AM1, AM2. Display will show the wave band, frequency and preset station number if already stored.

Manual/automatic tuning

- **Manual tuning:** Press briefly the UP/DN button on the panel or PREV/NEXT buttons on the RC to select a station upward or downward step-by-step.
- **Automatic tuning:** Press and hold for 2 seconds the UP/DN button on the panel or PREV/NEXT buttons on the RC, the automatic search will start. It will play when finds the station.

Auto store function

You can store up to a total of 30 radio stations in the memory (18 FM, 12 AM), manually or automatically.

- To store a station:
 - Select a band (if needed)
 - Select a station by PREV/NEXT buttons on the RC or UP/DN on the panel.
 - Hold a Preset button (1-6) which you want to store the station for at least for 2 seconds.
- To recall a station:
 - Select a band (if needed)
 - Press a Preset button (1-6) briefly to recall the stored station.

Preset scan function

Press APS button on the RC or A.P. button on the panel to scan all preset stations in the memory of the current band and stay on each memory stations for about 5 seconds. To stop preset scan, press this button again.

Auto memory store function

Press and hold for 2 seconds APS button on the RC or A.P. button on the panel to enter auto store mode. The radio will automatically store the 6 strongest available stations to the 6 preset memories of the current band. To stop auto store, press this button again.

Mono/Stereo selection

Press ANGLE/ST button on the RC to select the sound channel: MONO or STEREO.

Local radio station search

Press LOC button on the RC shortly to turn the LOCAL function ON or OFF. When the LOCAL function is on the local stations (stations with weak radio signal) can be played. When the LOCAL function is off both local and distant stations (stations with strong radio signal) can be played. Press the button again to turn it of.

RDS function

There are the PI, PS, TP, PTY, TA, AF.

PI: Program Identification Code – for identifying code.

PS: Program Service Name Broadcast – station name data expressed in alphanumerically character.

TP: Traffic Program Identification – for traffic information broadcasting station.

TA: Traffic Announcement Identification – showing traffic information is being transmitted or not.

AF: Alternative frequencies – frequency list of broadcasting station transmitting the same program.

AF (Alternative Frequencies) function

Press AF button briefly to switch on/off mode. Symbol “AF” will appear on the display.

Note: The tuner will return to Alternative Frequencies whenever the reception signals getting worse.

“Alarm” will be displayed when an emergency broadcasting is received. Meanwhile sound output level will be adjusted to the preset output level automatically when the volume control is set at minimum.

PTY (Program Type) function

1. Press PTY button on the RC to turn the PTY function on.
2. Rotate VOL knob or press +/- buttons on the RC to select the music type or speech type: NEWS, AFFAIRS, INFO, SPORT, EDUCATE, DRAMA, CULTURE, SCIENCE, VARIED, WEATHER, FINANCE, CHILDREN, SOCIAL, RELIGION, PHONE IN, TRAVEL, LEISURE, DOCUMENT, PTY NONE, POP M, ROCK M, EASY M, LIGHT M, CLASSICS, OTHER M, JAZZ, COUNTRY, NATION M, OLDIES, FOLK M.

Note:

1. When PTY is selected the radio starts to search corresponding PTY information and stops of the corresponding PTY information is detected.
2. If corresponding PTY information is not found, normal radio reception is resumed.

TA (Traffic Announcement) function

Press TA button briefly to select the TA mode on/off. Traffic announcement interrupts CD play or radio listening when broadcast. To interrupt traffic announcement press TA button short without switching off the TA mode. The set will return to the previous operating mode.

Disc/USB/SD/MMC operations

Disc glossary

PBC (PlayBack Control)

PBC is a menu recorded on the disc with SVCD or VCD2.0 format. For the discs contained PBC, it can playback interactive software with the menu displayed on TV. And if the disc contains still images, it can playback high definition of still image.

Title

The title is the important part of DVD disc. The memory volume of the disc is rather big, that makes possible to record several films on one disc. For example, if a disc contains three films, they may be divided into Title 1, Title 2 and Title 3. You can easy use the functions of looking-for.

Chapter

A title can be divided into several blocks, so that every block can be operated as a unit, the unit is called chapter. The chapter contains a unit at least.

Track

It is the biggest component of VCD. Generally, every song of karaoke disc is a track.

Discs for playback

- This unit can play disc types: CD-R/-RW/DVD±R/±RW.
- Compatible with formats: DVD/SVCD/VCD/HDCD/MP3/WMA/Picture-CD/JPEG playback/MPEG4.
- The following file types are supported:

Audio files: MP3 (*.mp3)

WMA (*.wma)

Video files: MP4

MPEG 2(*.vob)

MPEG 1(*.dat)

Picture file: JPEG (*.jpg)

- ISO 9660 or ISO 9660 +Joliet format - Max. 30 characters
- Max. Track number is 448
- Max. nested directory is 8 levels
- The max. album number is 99
- The max. length of each track is 99 minutes 59 seconds
- Supported sampling frequency for MP3 disc: 8 KHz – 48 KHz (44.1 KHz preferably)
- Supported bit-rates of MP3 disc are: 32 - 320 kbps (128 kbps preferably).
- Following formats are NOT supported *.ACC, *.DLF, *.M3U, *.PLS, MP3 PRO, files with DRM.
- Open session discs are NOT supported.

USB/SD/MMC notes

USB functions (flash memory type) MP3 music play.

1. SD/ MMC card support, 2in1 (SD/ MMC) support.
2. USB flash memory.
3. FAT 12/ FAT 16/ FAT 32 is possible
 - FAT 12/16 (dir: 200 support, file: 500 support),
 - FAT 32 (dir: 200 support, file: 500 support).
4. Filename: 32 byte/ Dir name: 32 byte.
5. Tag (id3tag ver. 1.0)
 - Title/ Artist/ Album: 32 byte support.
6. Multi card reader not support.
7. USB 2.0 support.

Note:

USB format supports 2.0.

Capacity: 8 MB ~ 1 GB.

SD cards brands: Cannon, Fuji film, Palm, Motorola, Microsoft, IBM, HP, Compaq, Sharp, Samsung, etc.
Capacity: 8 MB ~ 1 GB.

MMC cards brands: Ericsson, Nokia, Motorola, HP, Palm, Sanyo, Microsystems, etc.
Capacity: 16 MB ~ 1 GB.

Loading a disc

1. Turn the power on.
2. Press EJECT button on the panel to flip it down. Insert the disc with the printed side facing upward into the slot. Press EJECT button on the panel to eject the disc. The panel will be closed automatically.
3. Playback will start automatically.

Inserting the SD/MMC card/USB device

Insert the MMC/SD card or USB device into MMC/SD compartment or USB socket. The SD/MMC slot is situated on the top side of the front panel, so, when you want to insert a card, you need to remove the front panel. When you want to pull out the card, firstly push it, and then pull it out.

After you inserted a storage, the monitor will display the root menu of the USB storage or MMC/SD Card.

Playing/pausing

When the disc/card/USB device has been already loaded the playback of the first track starts automatically.

To ensure good system performance, wait until the unit finishes reading the disc information before proceeding.

OR press PLAY/PAUSE button to start playback. Press it again to pause the playback. Press again to resume the playback.

Stop playback

During disc playing, press STOP button on the RC. Playback will be stopped. If the PLAY/PAUSE button is pressed, playback will start from the position at which it was stopped. If the disc is removed, the resume function is cancelled.

Press STOP button twice to finally stop the playback, press PLAY/PAUSE button to start playback from the beginning of the first track.

Playing the previous/next track

During playback press UP/DN buttons on the panel or PREV/NEXT buttons on the RC to select the next or previous track to play.

Note: press UP/DN or PREV/NEXT buttons multiple times to advance multiple tracks forward or backward.

Using the digit buttons

To input any number use the buttons with digits.

During disc playing, press one of the 1~9 and 0/10 number buttons to select and play the 1-st to 10-th track (the 0/10 button is used as the 10 button).

If you want to play the track that number is bigger than 10, use the 10+, 1~9 and 0/10 button. For example, to play 13-th track, press 10+ button once, then press 3 button. For example, if you want to play 34-th track, firstly press 10+ button for 3 times, then press 4 button (the 0/10 button is used as the 0 button).

Note: In MP3/WMA mode, long pressing the +10 or -10 button can play the next 10 or last 10 track.

Scanning forward and backward

Press and hold for 2 seconds the UP/DN buttons on the panel or PREV/NEXT buttons on the RC to select the speed of fast playing in forward or backward direction: X2 => X4 => X8 => X20 => Normal. Press PLAY/PAUSE button to return to normal playback.

Slow playback (for DVD/VCD)

During DVD/VCD playback press SLOW_FDW button on the RC to execute the SLOW FORWARD function.

With each consecutive pressing of the SLOW_FDW button, the playback speed decreases: X1/2 => X1/3 => X1/4 => X1/5 => X1/6 => X1/7 => Normal.

During slow forward, press PLAY/PAUSE button to resume normal playback.

Playback with still frame (for DVD/VCD)

Press STEP button on the RC consecutively to display the still frame forward with step by step. Press PLAY/PAUSE button to resume normal playback.

Repeat playback

Press RPT button once or more to repeat the playback:

For VCD/CD: display appears Repeat single => Repeat all => OFF. When it is in the state of PBC ON, during VCD disc playing, RPT button is not functional.

- For DVD: display appears Repeat chapter => Repeat title => Repeat all => OFF
- For File disc: display appears Repeat single => Repeat folder => Repeat all => OFF

Repeat A-B function

1. During playback, press A-B button on the RC at the starting point of the section you want to repeat (point A).
2. Press A-B button again at the ending point of the section you want to repeat (point B). Section A-B repeating starts.
3. Press A-B button again to cancel the A-B repeat function.

Intro playback (for CD/VCD)

You can play the beginning of every track for 10 seconds in sequence. Press INT button to start intro play of whole disc. Press again to cancel.

Random playback

During disc playback press RDM button to select RANDOM ON => RANDOM OFF mode.

Menu navigation (for DVD only)

1. Press TITLE/PBC button on the RC to activate the disc title list on the screen.

2. Press cursor buttons on the RC to select the desired title. Then press OK button or PLAY/PAUSE button to open the root menu of the selected title.
3. Press the cursor buttons to select desired track, then press OK button or PLAY/PAUSE button to play the selected track.
4. During playback you can open the root menu directly by pressing the MENU button on the RC.

PBC (Playback Control) function (for VCD only)

If you insert a VCD with PBC, playback starts from the beginning of the 1st track automatically.

1. Press TITLE/PBC button on the RC to activate PBC menu on screen during playback.
2. If the menu consists of a list of titles, you can select a desired one using the digit buttons on the RC to play.

Search function

For DVD disc:

1. During playback press SEARCH button on the RC to enter the search window and highlight the title number. Press the number buttons to enter the number of desired title (the total amount of titles is to the right).
2. Press the cursor buttons to select chapter. Press the number buttons to enter the number of desired chapter (the total amount of chapters is to the right).
3. Press the cursor buttons to select the time item. Press the number buttons to enter the desired time.
4. Press OK button or PLAY/PAUSE button on the RC to start its playback.

For VCD/CD/MP3/WMA discs:

1. During playback press SEARCH button on the RC to enter the search window and highlight the track number. Press the number buttons to enter the number of desired track (the total amount of tracks is to the right).
2. Press the cursor buttons to select the time item. Press the number buttons to enter the desired time.

3. Press OK or PLAY/PAUSE button on the RC to start playback.

Programming the playback

1. Press PROG button on the RC to enter program list.
2. Use cursor buttons on the RC to move to desired position, and digit buttons to enter the number of the desired one to be on selected position.

For DVD select title and chapter number.

For VCD, CD, MP3, WMA, select track number.

3. Move the cursor to select PLAY and press OK to play.
4. If you want to delete the list, move the cursor to CLEAR, press OK to delete all the list set before.
5. Press PROG again to exit program play

For DVD

PROGRAM			
T	C	T	C
1	5	9	13
2	6	10	14
3	7	11	15
4	8	12	16
Play Clear			

For VCD/MP3/WMA/CD

PROGRAM			
1	5	9	13
2	6	10	14
3	7	11	15
4	8	12	16
Play Clear			

On-screen display (OSD)

During playback press OSD button on the RC repeatedly to turn on/ off the playback status.

- In DVD mode the display will show the following: The number of the playing title => the number of the playing current chapter => the elapsed time of the playing chapter => the remained time of the playing chapter => the elapsed time of the playing title => the remained time of the playing title.
- In VCD/CD mode the display will show the following: The number of the playing track => the elapsed time of the playing track => the remained time of the playing track => the elapsed time of the disc => the remained time of the disc.
- In MP3/WMA mode the display will show the following: The number of the playing track => the elapsed time of the playing track => the remained time of the playing track.

Selecting subtitle languages (for DVD only)

During playback press SUBTITLE button on the RC repeatedly to select the language of the caption or turn off the caption (depend on the disc used).

Selecting audio languages (for DVD only)

During DVD disc playback press AUDIO button on RC repeatedly to select the audio language to listen (if the disc supports multi-language mode).

Selecting the channel (for VCD only)

During VCD disc playback press AUDIO button on the RC to select the channel: Mono L (Left) => Mono R (Right) => MixMono => Stereo.

Changing size (for DVD/VCD)

During playback press ZOOM button on the RC continuously to enlarge a certain area of the images on the screen: ZOOM X2, ZOOM X3, ZOOM X4, ZOOM X $\frac{1}{2}$, ZOOM X $\frac{1}{3}$, ZOOM X $\frac{1}{4}$, ZOOM OFF. Using cursor buttons select the area desired.

Changing angle (for DVD only)

If DVD disc supports multi-angle playback, press ANGLE/ST button on the RC to playback images in different camera angles. If discs doesn't support multi-angle playback, this function will not work.

TV type select (for DVD/VCD)

Press P/N/BAND button on the RC to select the TV system.

Audio/Video/Picture files operations

When AUDIO/PICTURE/VIDEO file is played, Category/ Folder/ File list will be displayed on the screen, and file/ folder name being played will be displayed on top. Current selected item will be highlighted.

Category Select

1. Use LEFT/RIGHT cursor buttons to select: AUDIO files (left icon), PICTURE files (middle icon) or VIDEO files (right icon).
2. Press OK button to confirm.

Folder select

1. Use LEFT/RIGHT cursor buttons to enter folder list and use UP/DOWN cursor buttons to select desired folder.
2. Press OK to confirm.

File select

1. Use LEFT/RIGHT cursor buttons to enter file list and use UP/DOWN cursor buttons to select desired file.
2. Press OK button to playback.
 - For PICTURE, press PLAY/PAUSE button to slide show the pictures. Press PROG button to select picture refreshing style. Press cursor buttons to rotate the picture.
 - For VIDEO and PICTURE, press STOP button to enter Category/Folder/File list.

ID3 function

This unit supports ID3 tag version 1.0. If an MP3/WMA file has ID3 Tag information, it will be displayed on the LCD. If there is no ID3 Tag information, nothing will show on LCD. The ID3 Tag information may include File, Folder, Music, Album or Artist data.

MP3/WMA overview

Notes on MP3/WMA:

- MP3 is short for MPEG Audio Layer 3 and refers to an audio compression technology standard.
- This product allows playback of MP3 files on CD-ROM, CD-R or CD-RW discs.
- The unit can read MP3 files written in the format compliant with ISO 9660. However it does not support the MP3 data written by the method of packet write.
- The unit can not read an MP3 file that has a file extension other than “.mp3”.
- If you play a non- MP3 file that has the “.mp3” extension, you may hear some noise.
- In this manual, we refer to what are called “MP3 file” and “folder” in PC terminology as “track” and “album”, respectively.
- Maximum number of directory level is 8, including the root directory. Maximum number of files and folders per disc is 256.
- The unit may not play tracks in the order of Track numbers.
- The unit plays only the audio tracks if a disc contains both audio tracks and MP3 files.
- When playing a disc of 8 kbps or “VBR”, the elapsed playing time in the display window will not be correct and also the intro play may not function properly. “VBR”: Variable Bit Rate.
- The unit supports the playback of WMA files. The playback of ID3 tags for WMA format is not guaranteed, it depends on versions and availability of Cyrillic alphabet.
- WMA (Windows Media Audio) – music data compression format, created by Microsoft Corporation. This format uses coding algorithm for compression of initial audio-record, greatly decreasing the file size, but, saving the good sound quality even when the bit rate is low (for example, 64 Kbit/s).
- Remember that the unit may not play the tracks in order they are written on disc.

Notes on creating your own CD-R or CD-RW containing MP3 files:

- To enjoy high quality sound, we recommend converting to MP3 files with a sampling frequency of 44.1 kHz and a fixed bit rate of 128 kbps.
- Do not store more than 448 MP3 files per disc.
- For ISO 9660 - compliant format, the maximum allowable depth of nested folders is 8, including the root directory (folder).
- When CD-R disc is used, playback is possible only for discs, which have been finalized.
- Make sure that when MP3 CD-R or CD-RW is burned that it is formatted as a data disc and NOT as an audio disc.
- You should not write non-MP3 files or unneeded folders along with MP3 files on the disc otherwise it takes a long time until the unit starts to play MP3 files.
- With some CD-R or CD-RW media, data may not be properly written depending on its manufacturing quality. In this case, data may not be reproduced correctly. High quality CD-R or CD-RW disc is recommended.
- Up to 16 characters are displayed for the name of an Album or a Track. ID3TAG version 1.x is required.
- Note that the unit may not play Tracks in the order that you wrote them to the disc.

System setup menu

1. Press SETUP button on the RC to display the system setup menu.
2. Use LEFT/RIGHT cursor buttons on RC to select the desired menu: System setup, Language setup, Audio setup, Video setup, Speaker setup, Digital setup.
3. Press OK to enter it.
4. Use UP/DOWN cursor buttons to select the desired setting.
5. Press RIGHT cursor button to enter the setting adjustment subwindow.
6. Press UP/DOWN cursor buttons to select the option of the setting and press OK to confirm it.

System setup

- **TV system**

This unit is suitable for all kinds of TV systems. You can select: AUTO (the TV system is auto switched according to the disc system), NTSC (this system is used in USA, Taiwan, Japan etc), PAL (this system is used in China, Europe, Hong Kong etc.), PAL-M, PAL-N.



SYSTEM SETUP

TV SYSTEM
TV TYPE
PASSWORD
RATING
DEFAULT

- **TV type**

4:3 PS: When the unit connects to the normal TV set, the wide-screen image shows on the full screen, but some part is cut off.

4:3 LB: When the unit connects to the normal TV set, the wide-screen image shows and black bars appear on the top and bottom of screen.

16:9: Use this item when the unit is connected with the wide screen TV set.

- **Password**

This setup item is for locking or unlocking the rating level of the Parental Control. The default state is locked. The default password is 0000.

You can set a new password that you like: select the PASSWORD item and then press RIGHT cursor button to enter it, then input the original password 0000, and then press OK button to unlock it. Press RIGHT cursor button to enter it again, then input a new password and then press OK button to make it effective.

- **Rating**

1. Select the PASSWORD item and then press RIGHT cursor button to enter it, then input the password mentioned above, and then press OK button to unlock the setting of the rating level of the Parental Control.
2. Select the RATING item and then press RIGHT cursor button to enter it, then use the direction buttons to select your desired rating level, then press OK button to confirm.
3. Select the PASSWORD item again and then press RIGHT cursor button to enter it, then input the password, and then press OK button to lock the new setting of the rating level of the Parental Control.

- **Default**

Reset to the initial factory setups.

Language setup

- **OSD language**

Select the OSD language.

- **Audio language**

Select the audio language (if DVD disc supports several audio languages).

- **Subtitle language**

Select the subtitle language (if DVD disc supports several subtitle languages).

- **Menu language**

Select the DISC menu language (if DVD disc supports several menu languages).

LANGUAGE SETUP

OSD LANGUAGE
AUDIO LANG
SUBTITLE LANG
MENU LANG

Audio setup

- **Audio out**

SPDIF/Off: no digital signal out (optical or coaxial output off), only analog audio output (option).

- **Key**

Setup basic music tone.

AUDIO SETUP

AUDIO OUT
KEY

Video setup

- **Brightness, Contrast, Hue, Saturation, Sharpness**

You can set the Brightness, Contrast, Hue, Saturation, Sharpness according to your preference.

VIDEO SETUP

BRIGHTNESS
CONTRAST
HUE
SATURATION
SHARPNESS

Speaker setup

- **DOWNMIX**

LT/RT: The audio out is Left and Right channels format even if the original sound is 5.1CH format.

Stereo: The audio out format is stereo even if the original sound is 5.1CH format.

VSS: The audio format Advanced Virtual Surround Sound.

SPEAKER SETUP

DOWNMIX

Digital setup

- **OP MODE**

LINE OUT: It can linearly compress the audio signal. So the volume level is lower.

DIGITAL SETUP

OP MODE
DYNAMIC RANGE
DUAL MONO

You should select the item at night.

RF REMOD: It can make the volume level higher. You should select it at daylight.

- **DYNAMIC RANGE**

After selecting the compression mode of LINE OUT, set the item, so you can adjust the linear compression ratio. If you set it to be FULL, the Peak-to-Peak value of the audio signal is the minimum; if you set it to be OFF, the Peak-to-Peak value is the maximum.

- **DUAL MONO**

Stereo: stereo output signal.

Mono L: left output signal.

Mono R: right output signal.

Mix Mono: left and right output average signal.

TV Operation

1. To switch on a suited video color system and a suited TV accompanying sound system

In TV mode, short press BAND button repeatedly to switch on a suited video color system of the 5 ones of the unit: PAL, SECAM, PAL M, PAL N, NTSC. If your monitor has only NTSC or PAL system, the monitor screen will blink or become colorless when a not suited video color system of the unit is switched on. In one of the above 5 video color systems, long press BAND button repeatedly to switch on a suited TV accompanying sound system of the unit for the selected video color system: PAL (PAL-DK, PAL-BG, PAL-I); SECAM(SECAM-BG, SECAM-DK); PAL M (PAL M); PAL N(PAL N); NTSC(NTSC MN). If you switch on a not suited TV accompanying sound system of the unit for the monitor, it cannot output sound.

2. To search and save (a) TV station(s)

In TV mode, short press APS button, it will search a available TV station from the current frequency to the high frequency. After searched an available TV station, it will stop searching and output the signal of the available TV station and the available TV station will be saved in the channel.

In TV mode, long press APS button, it will search all available TV stations from the lowest frequency to the highest frequency. After searched for a circle, it will stop searching and output the signal of the available TV station with the lowest frequency and all the available TV stations from the lowest frequency to the highest frequency will be saved in the channels from 1 to 95.

3. To select a desired channel with an available TV station with UP/DN buttons or PREV/NEXT buttons on the RC. In TV mode, short press UP/DN button on the front panel or PREV/NEXT buttons on the RC to select all TV channels. After long pressing the APS button to search for a circle, short press UP/DN button on the front panel or PREV/NEXT buttons on the RC to select the desired channels with available TV stations.

4. To select a desired channel with the number buttons

In TV mode, press one of the 10 buttons (1-10) to directly select the channel.

In TV mode, to directly select a channel more than 10, firstly press 10+ button to display __, then input the digit in tens place and then input the digit in units place with the 10 buttons (1-10).

5. To fine the TV signal

In TV mode, press and hold UP/DN button on the front panel or PREV/NEXT buttons on the RC to fine the TV signal of the current TV station. It can improve the quality of video and audio about the TV program.

6. To save the current TV station in one of the channels from 1 to 6

In TV mode, long press one of the 1-6 buttons on the front panel, it will save the current TV station in the number channel.

Anti-theft system

Remove the panel

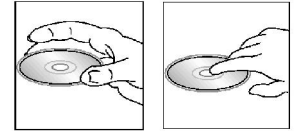
1. Press PWR/MU button to turn the power off.
2. Press REL button to detach the panel.
3. Place the panel into the case and take it with you when you leave the car.

Remove the unit

1. Remove the panel and the trim plate.
2. Insert both T-Keys into hole on the front of the set until they lock.
3. Pull out the unit.

Handling discs

- Dirty, scratched or warped discs may cause skip ping or noise.
- Handle the disc only by the edges. To keep clean do not touch its surface.
- Discs should be stored in their cases after use to avoid scratches.
- Do not expose discs to direct sunlight, high humidity, high temperature or dust.
- Prolonged exposure to extreme temperature can warp the disc (such as leaving the discs in your car during summertime).
- Do not stick or write anything on either side of disc. Sharp writing instruments, or the inks used in some felt-tip pens, may damage its surface.
- Do not touch the unlabeled side. Do not attach any seal, label or data protection sheet to either side of a disc.



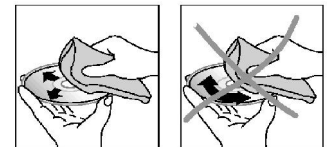
Cleaning

Cleaning the cabinet

Wipe with a soft cloth. If the cabinet is very dampen (not dropping wet) the cloth with a weak solution of soapy water, and then wipe clean.

Cleaning discs

Fingerprints should be carefully wiped from the surface of disc with a soft cloth. Unlike conventional records, compact discs have no grooves to collect dust and macroscopic dirt, so gently wiping them with a soft cloth should remove most panicles. Wipe in a straight motion from the center to the edge. Never use thinner benzine, record cleaner or anti static spray on a compact disc. Such chemicals can damage its plastic surface.



Troubleshooting guide

Symptom	Cause	Solution
No power	The car ignition is not on. The fuse is blown.	If the power supply is properly connected to the car accessory switch the ignition key to "ACC". Replace the fuse.
Disc cannot be loaded.	Presence of disc inside the player.	Remove the disc in the player then put a new upward.
Disc cannot be read.	Inserting the disc in upside down. Compact disc is extremely dirty or defective. Temperature inside the car is too high.	Insert the compact disc with the label facing upward. Clean the disc or try to play a new one. Cool off until the ambient temperature returns to normal.
No sound	Volume is in minimum. Wiring is not properly connected.	Adjust volume to a desired level. Check wiring connection.
The buttons do not work.	The built-in microcomputer is not operating properly due to noise. Front panel is not properly fix into its place.	Press RESET button. Reinstall the front panel.
Sound skips.	The installation angle is more than 30 degrees. The disc is extremely dirty or defective.	Adjust the installation angle to less than 30 degrees. Clean the compact disc/try to play a new one.
The radio does not work, the radio station automatic selection does not work.	The antenna cable is not connected the signals are too weak.	Insert the antenna cable firmly select a station manually.

Specification

General	
Power supply:	12 V DC
Current consumption:	max. 15 A
Maximum power output:	50 W x 4 channels
Compatible formats:	DVD/SVCD/VCD/HDCD/MP3/WMA/Picture-CD/JPEG playback/MPEG4
Supported storages:	CD-R/-RW/DVD±R/±RW
Dimensions (L x W x H):	165 x 178 x 50 mm
Working temperature range:	-10°C - +60°C
ESP function:	40 sec. for Audio CD, 120 sec. for MP3
TFT display	
Screen size:	4 inch
Resolution:	480x272 dpi
Aspect ratio:	16:9
Contrast ratio:	300:1
Brightness:	350 cd/m ²
View angle:	V: 1200, H: 1200
FM Stereo Radio	
Frequency range:	65.0 – 74.0 / 87.5 – 108.0 MHz
Usable sensitivity:	6 uV
Preset memory stations:	18
AM section	
Frequency range:	522 kHz - 1620 kHz
Preset memory stations:	12
Audio specification	
Maximum output:	2 V _{rms} (+/- 3 dB)

Frequency response:	20 Hz - 20 KHz
S/N ratio (A-vtd):	90 dB
Separation	50 dB
Line out	
Output:	2 channel RCA line-out (2V)
TV	
Color system	PAL/AUTO/NTSC
Sensitivity	65 dB

Specifications are subject to change without notice. Dimensions are approximate.

Уважаемый покупатель!

Благодарим Вас за покупку нашего изделия. Для обеспечения безопасности рекомендуется тщательно изучить настоящее руководство перед подключением, эксплуатацией и/или регулировкой изделия, и сохраняйте руководство для использования в будущем.

Содержание

Содержание.....	43
Меры предосторожности.....	44
Комплект поставки	45
Установка/подключение	46
Элементы управления	51
Основные операции.....	57
Цифровой тюнер.....	59
Воспроизведение дисков/USB/SD/MMC	63
Обзор MP3/WMA.....	73
Настройки системы	75
Операции с ТВ тюнером.....	79
Система против кражи.....	81
Обращение с дисками.....	82
Чистка и уход.....	82
Руководство по устранению неисправностей.....	83
Технические характеристики	84

Меры предосторожности

- Использование данного устройства при температуре ниже -10°C может привести к поломке. Перед использованием предварительно прогрейте салон автомобиля до рекомендованной температуры.
- При установке и подключении устройства отключите отрицательную клемму аккумулятора автомобиля.
- При замене предохранителя, убедитесь, что вы устанавливаете предохранитель с тем же номиналом. Используя предохранитель с повышенным значением тока можно причинить значительные повреждения изделию.
- Не пытайтесь разбирать устройство. Лазерные лучи, исходящие из блока оптической головки считывания информации с компакт-диска, опасны для глаз.
- Не используйте устройство в местах, где оно подвергается воздействию воды, влаги и пыли.
- Убедитесь, что посторонние предметы не попали внутрь изделия. Они могут вызвать сбой в работе или стать причиной опасности, такой, как поражение электрическим током или лазерным лучом.
- Если вы ставите автомобиль на стоянку на длительное время в жаркое или холодное время года, подождите, пока температура в автомобиле не станет нормальной, перед тем как включать изделие.
- Не открывайте крышки и не проводите ремонт самостоятельно. Обратитесь к дилеру или квалифицированному персоналу.
- Убедитесь, что устройство отключено от питания во время грозы или если Вы намерены не использовать его в течение долгого времени.
- Убедитесь, что питание устройства отключено, если обнаружена неправильная работа системы, система издает необычные звуки, запах, выделяет дым или внутрь ее попала жидкость. Проведите квалифицированный технический осмотр системы.
- Изделие разработано так, чтобы отрицательный вывод аккумулятора был подключен к корпусу транспортного средства. Пожалуйста, убедитесь в этом перед установкой.
- Не позволяйте проводам динамиков касаться друг друга или металлических поверхностей автомобиля при включении изделия. В противном случае усилитель мощности может выйти из строя.
- Не снимайте панель, не выключив питание устройства.

Комплект поставки

Пульт дистанционного управления

ISO коннектор

RCA кабель

AV кабель

Детали для установки

Руководство по эксплуатации

Информация для потребителя

Гарантийный талон

Предохранительный футляр для передней панели

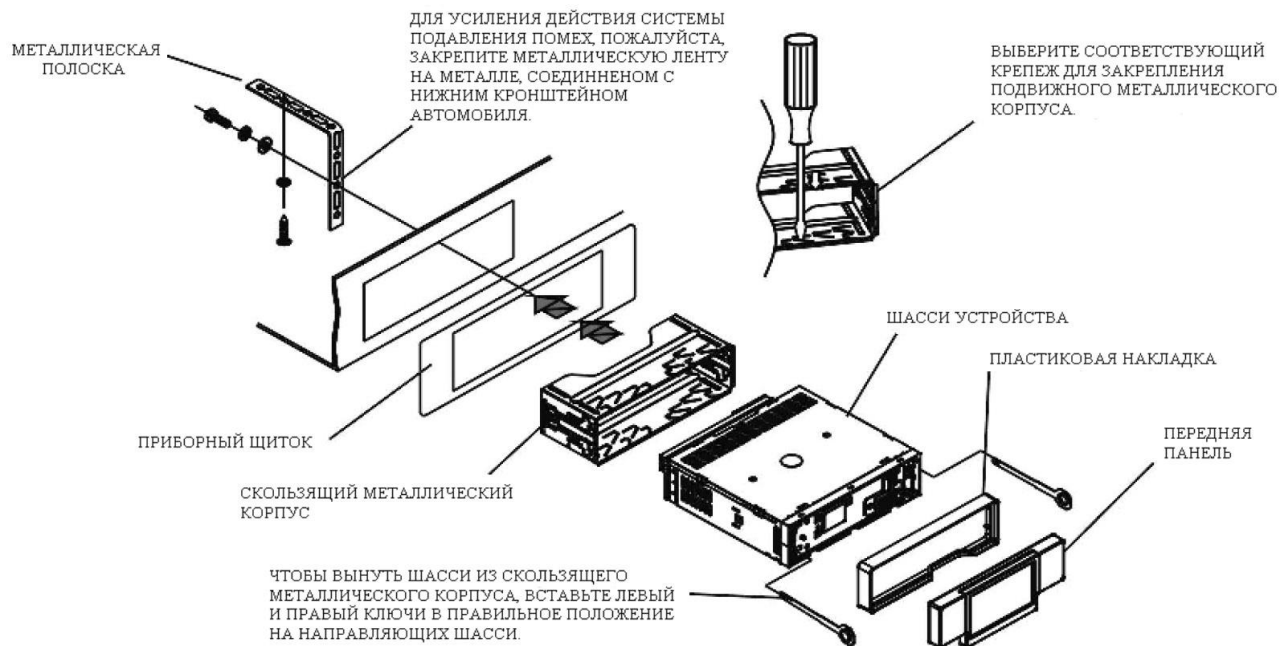
Ресивер

Установка/подключение

Сначала проведите электрические подключения, затем проверьте их правильность.

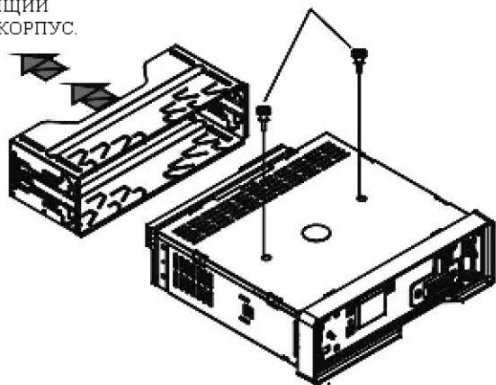
Способ установки

Шасси имеет корпус с металлическими направляющими. Пожалуйста, проведите соединение проводов источника питания, динамиков и антенны в соответствии с требованиями инструкции. Затем вставьте металлический корпус с направляющими в автомобиль в соответствии с приведенной схемой.

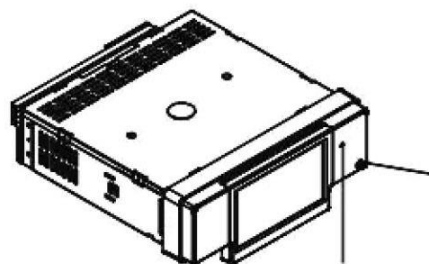
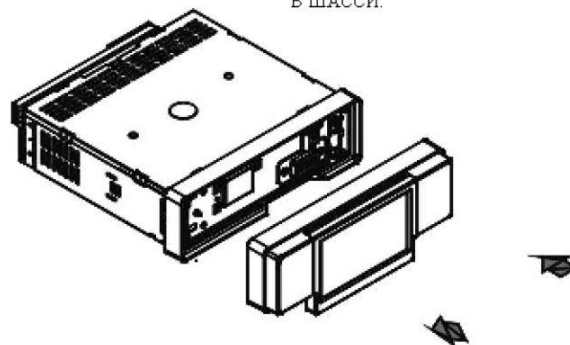


УДАЛИТЕ СКОЛЬЗЯЩИЙ
МЕТАЛЛИЧЕСКИЙ КОРПУС.

ВЫВЕРНИТЕ 2 ВИНТА ДЛЯ ЗАЩИТЫ
ПЛЕЕРА ПЕРЕД ЕГО ЭКСПЛУАТАЦИЕЙ.



ДЛЯ УСТАНОВКИ ПЕРЕДНЕЙ ПАНЕЛИ
ОБРАТНО В ШАССИ УСТРОЙСТВА,
СНАЧАЛА ВСТАВЬТЕ ЛЕВУЮ СТОРОНУ,
ЗАТЕМ ВТОЛКНИТЕ ПРАВУЮ СТОРОНУ
В ШАССИ.



КНОПКА RESET

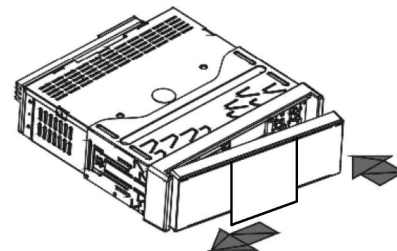
ЧТОБЫ ВЫНУТЬ ПЕРЕДНЮЮ
ПАНЕЛЬ ИЗ КОРПУСА НАЖМИТЕ
НА КНОПКУ REL ЧТОБЫ
ОТСОЕДИНИТЬ ПАНЕЛЬ, ПОСЛЕ
ЧЕГО НЕМНОГО ПРИПОДНЯВ
ВВЕРХ ЕЕ МОЖНО СНЯТЬ.

НАЖМИТЕ КНОПКУ СВРОСА, ЧТОБЫ ВОССТАНОВИТЬ
ИЗМЕНЕННОЕ ПРОГРАММИРОВАНИЕ, ЕСЛИ ИНФОРМАЦИЯ НА
ЭКРАНЕ ПРЕДСТАВЛЯЕТСЯ НЕНАДЛЕЖАЩИМ ОБРАЗОМ И
НЕКОТОРЫЕ КНОПКИ НЕРАБОТОСПОСОБНЫ.

Съемная панель

Снятие панели

Нажмите кнопку REL, чтобы снять панель.



Подсоединение съемной панели

1. Установите левую сторону панели в держатель.
2. Нажмите на правую сторону панели, чтобы она защелкнулась.

Внимание:

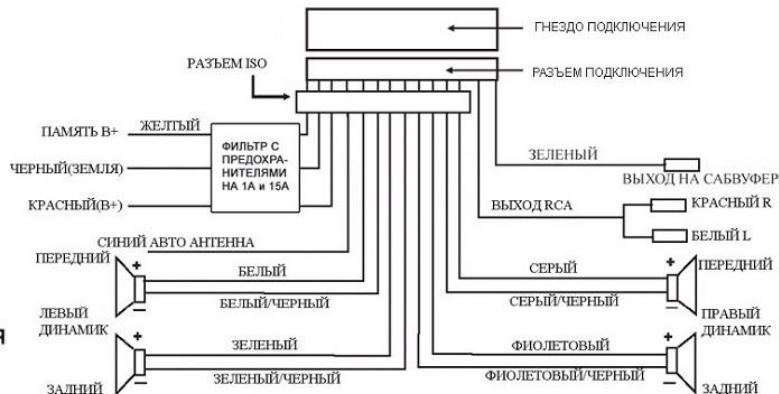
Не вставляйте панель с правой стороны. Это может повредить ее.

Панель может повредиться из-за внешних факторов: ударов, падения, попадания влаги. После снятия ее с устройства держите панель в защитном футляре и старайтесь не ронять и не подвергать механическим воздействиям.

Очень важным элементом является коннектор на задней части панели. Не нажимайте на него посторонними предметами (ногтями, ручками, отвертками).

Примечание: Если панель загрязнилась или запылилась, протрите ее сухой чистой тканью. Для чистки разъема в задней части панели используйте тампон, смоченный техническим спиртом.

Схема электрических соединений



Примечания: Могут быть использованы только динамики с сопротивлением 4 Ом. Убедитесь в том, что синий кабель автомобильной антенны не соприкасается с заземляющим соединением.

Внимание: Не меняйте самостоятельно провода в соединительном разъеме ISO!

Для некоторых моделей автомобилей необходимо будет изменить соединение проводов питания в разъеме, что связано с конструктивными особенностями автомобиля. В этом случае для правильной инсталляции обратитесь к авто дилеру или в установочную студию.

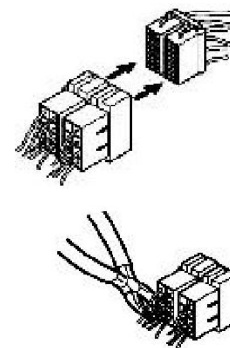
После подсоединения парковочного провода видео на мониторе передней панели будет воспроизводиться только после остановки автомобиля.

В процессе подключения устройства убедитесь в наличии хорошего контакта всех питающих проводов. Особое внимание уделите соединению с отрицательным проводом (масса автомобиля). В противном случае видеосигнал на дисплее может мигать.

Если парковочный провод подсоединен к рычагу стояночного тормоза, изображение на дисплее будет переключаться между стандартным режимом и предупредительной надписью к этой функции. Эта функция отключает видео сигнал во время движения, чтобы водитель не отвлекался от дороги. При активации ручного тормоза видео сигнал снова появляется.

Использование разъема ISO

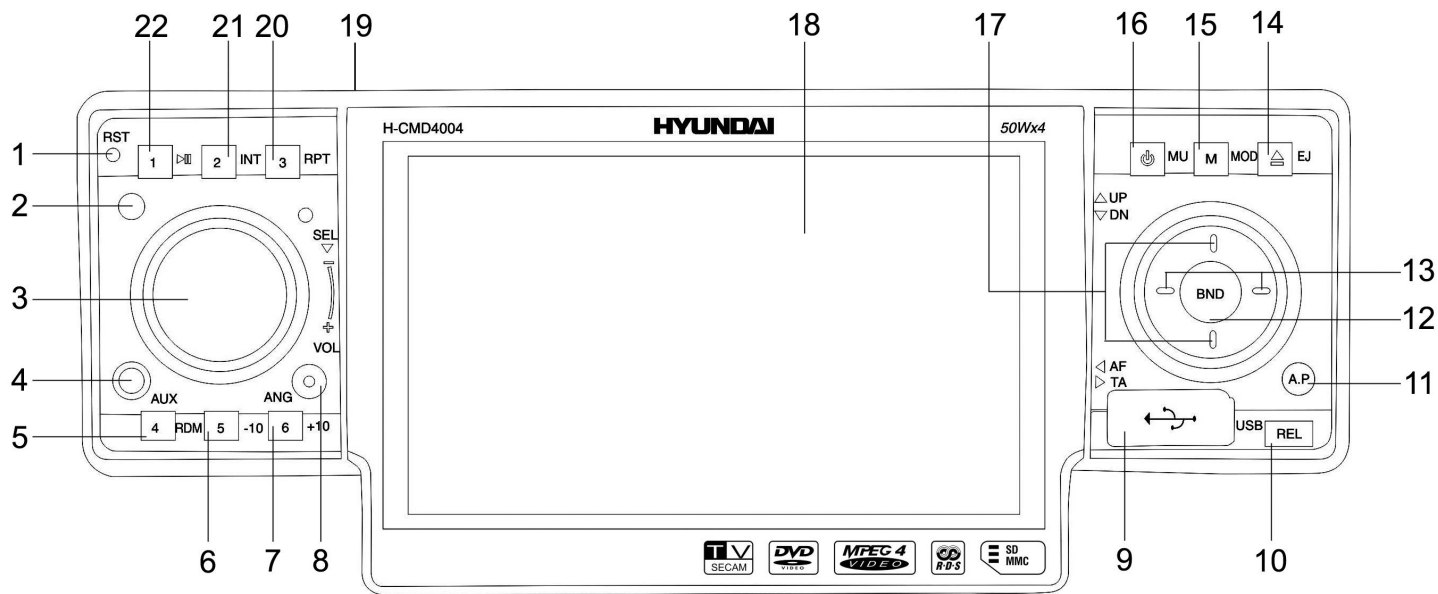
1. Если в Вашем автомобиле есть разъем ISO, произведите подключение, как показано на рисунке.
2. Для подключений без разъемов ISO внимательно проверьте все провода перед подключением, неправильное подключение может привести к повреждению изделия и проводки автомобиля.
3. В таблице приведены справочные данные для подключения изделия без использования разъема ISO (для технических специалистов).



Функция			
№	Разъем А	№	Разъем В
1		7	Задний правый(+)--Фиолетовый
2		8	Задний правый(--Фиолетовый/Черный
3		9	Передний правый(+)--Серый
4	Питание 12В (+)/желтый	10	Передний правый(--Серый/Черный
5	Авто антенна /синий	11	Передний левый(+)--Белый
6		12	Передний левый((-)--Белый/Черный
7	АСС+/красный	13	Задний левый(+)--Зеленый
8	Земля/черный	14	Задний левый(--Зеленый/Черный

Элементы управления

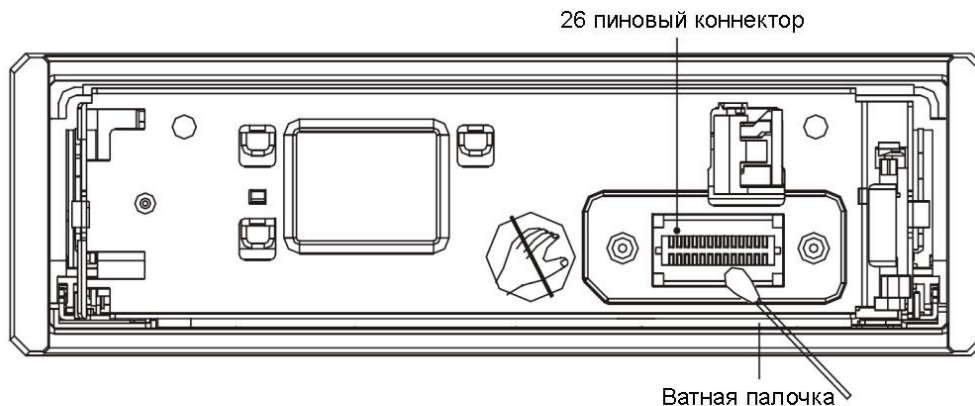
Передняя панель



1. Кнопка RESET (RST)
2. ИК сенсор
3. Регулятор VOL/Кнопка SEL
4. Вход AUX
5. Кнопка 4/RDM
6. Кнопка 5/-10
7. Кнопка 6/+10

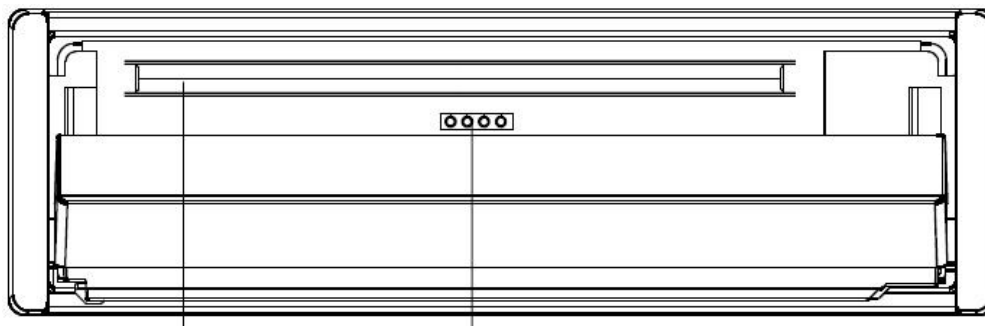
8. Кнопка ANG
9. USB порт
10. Кнопка REL
11. Кнопка A.P.
12. Кнопка BND
13. Кнопки LEFT(AF)/RIGHT(TA)
14. Кнопка EJECT (EJ)
15. Кнопка MOD
16. Кнопка PWR/MU
17. Кнопки UP/DN
18. TFT дисплей
19. Слот для карт памяти SD/MMC
20. Кнопка 3/RPT
21. Кнопка 2/INT
22. Кнопка 1/PLAY/PAUSE

Вид устройства без панели



26 пиновый коннектор : Если на коннекторе скопилась грязь, его нужно очистить.

Вид устройства при открытой панели

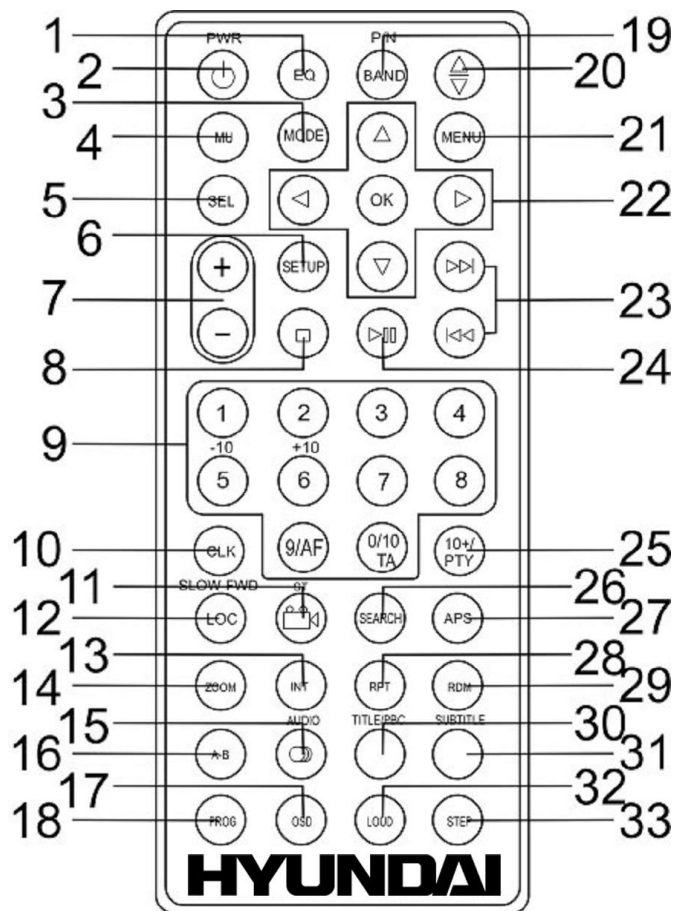


Слот для
дисков

Индикаторы

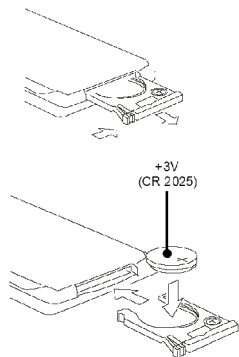
Пульт дистанционного управления (ПДУ)

1. Кнопка EQ
2. Кнопка PWR
3. Кнопка MODE
4. Кнопка MU
5. Кнопка SEL
6. Кнопка SETUP
7. Кнопки +/-
8. Кнопка STOP
9. Кнопки с цифрами/кнопка AF/кнопка TA
10. Кнопка CLK
11. Кнопка ANGLE/ST
12. Кнопка LOC/SLOW_FWD
13. Кнопка INT
14. Кнопка ZOOM
15. Кнопка AUDIO
16. Кнопка A-B
17. Кнопка PROG
18. Кнопка EQ
19. Кнопка P/N/BAND
20. Кнопка TILT
21. Кнопка MENU
22. Кнопки курсора ВВЕРХ/ВНИЗ/ВЛЕВО/ВПРАВО/кнопка OK
23. Кнопки PREV/NEXT
24. Кнопка PLAY/PAUSE
25. Кнопка 10+/PTY
26. Кнопка SEARCH
27. Кнопка APS
28. Кнопка RPT
29. Кнопка RDM
30. Кнопка TITLE/PBC
31. Кнопка SUBTITLE
32. Кнопка LOUD
33. Кнопка STEP



25. Кнопка 10+/PTY
26. Кнопка SEARCH
27. Кнопка APS
28. Кнопка RPT
29. Кнопка RDM
30. Кнопка TITLE/PBC
31. Кнопка SUBTITLE
32. Кнопка LOUD
33. Кнопка STEP

Замена батарей в ПДУ:



1. Откройте отсек для батарей в направлении, указанном стрелкой.
2. Замените старую батарею на новую (CR 2025 3V), соблюдая полярность.
3. Закройте отсек для батарей.

Примечание:

- Не позволяйте детям играть с батареями.
- Неправильное использование батарей может стать причиной перегрева или возгорания, что в свою очередь ведет к пожару.
- Утечка батарей может сделать причиной повреждения ПДУ (Срок работы батарей – 6 месяцев при эксплуатации в обычных условиях при комнатной температуре).
- Не замыкайте полюса батареи. Не бросайте батареи в огонь.

Основные операции

Сброс установок

Нажмите кнопку RESET, расположенную на передней панели. Эта мера необходима в следующих ситуациях: первоначальная установка устройства после подключения или если устройство не реагирует на команды, а также на дисплее появляются символы ошибок.

Кнопка включения питания

Нажмите кнопку PWR/MU на панели или кнопку PWR на ПДУ, чтобы включить устройство. Для выключения нажмите и удерживайте кнопку PWR/MU на панели в течение 2 секунд или нажмите кнопку PWR на ПДУ для выключения устройства.

Внимание: Когда Вы выключаете систему или зажигание автомобиля, уровень громкости и все настройки будут сохранены в памяти устройства.

Регулировка громкости

Вращайте регулятор VOL на панели по часовой стрелке или нажимайте кнопку + на ПДУ, чтобы увеличить уровень громкости. Вращайте регулятор VOL на панели против часовой стрелки или нажимайте кнопку - на ПДУ, чтобы уменьшить уровень громкости.

Внимание: Не допускайте продолжительной работы на максимальном уровне громкости.

Выключение звука

Когда питание магнитолы включено, нажмите кнопку PWR/MU, чтобы выключить звук. Нажмите кнопку повторно или нажмите одну из кнопок: MU, EJECT, SEL, PWR, MODE или +/-, чтобы включить звук.

Регулировка настроек аудио и видео

Нажмите кнопку SEL, чтобы выбрать параметр: VOL (громкость) => BAS (низкие частоты) => TRE (высокие частоты) => BAL (баланс между левым и правым динамиками) => FAD (баланс между

передним и задним динамиками).

Нажмите кнопки +/- на ПДУ или вращайте регулятор VOL, чтобы настроить каждый параметр.

Внимание:

- При выключении устройства все настройки будут сохранены.
- При отключения устройства от сети все настройки вернуться к заводским.

Управление режимами

Нажмите кнопку MOD на панели или кнопку MODE на ПДУ, чтобы выбрать различные режимы воспроизведения: TUNER (радио) => DISC (если диск вставлен в слот) => USB (если устройство USB присоединено) => CARD (если вставлена SD/MMC карта) => AUX => TV.

Установка часов

1. Нажмите кнопку CLK на ПДУ, чтобы войти в меню установки часов.
2. Нажмите и удерживайте кнопку CLK, чтобы выбрать установку часов. Цифры часов изменят цвет. Вращайте регулятор VOL+/- или нажимайте кнопки +/- на ПДУ, чтобы установить часы.
3. Нажмите кнопку SEL, чтобы выбрать установку минут. Вращайте регулятор VOL+/- или нажимайте кнопки +/- на ПДУ, чтобы установить минуты.

Режим Loud (усиление низких частот)

Нажмите кнопку LOUD на ПДУ, чтобы включить или выключить режим Loud. Когда режим включен, повышается уровень низких частот.

Установка режима эквалайзера

Нажмите кнопку EQ, чтобы выбрать один из режимов эквалайзера: POP => ROCK => CLAS => FLAT.

Угол наклона дисплея

Нажимая кнопку TILT, выберите оптимальный угол наклона дисплея для просмотра: ANGLE0 => ANGLE1 => ANGLE2 => ANGLE3 => ANGLE4.

Цифровой тюнер

Внимание: Сервис RDS (Система радио данных) доступен не во всех регионах. Имейте в виду, что если услуга RDS не доступна в Вашем регионе, то данная функция не будет работать.

Выбор диапазона

Нажмите кнопку MOD на панели или кнопку MODE на ПДУ, чтобы выбрать режим TUNER. Нажимайте кнопку P/N/BAND на ПДУ или кнопку BND на панели, чтобы выбрать диапазон: FM1, FM2, FM3, AM1, AM2. На дисплее отобразятся диапазон, частота и номер станции, если данная частота записана в память устройства.

Ручной/автоматический поиск радиостанций

- **Ручной поиск:** Нажимайте кнопки UP/DN на панели или кнопки PREV/NEXT на ПДУ, чтобы вручную увеличить или уменьшить частоту. Для сохранения найденной станции в память, нажмите и удерживайте в течение 2 секунд кнопку с цифрой 1-6. Под этим номером станция будет сохранена.
- **Автоматический поиск:** Нажмите кнопки UP/DN на панели или кнопки PREV/NEXT на ПДУ и удерживайте в течение 2 секунд, начнется автоматический поиск. Поиск прекратится при приеме первой станции с сильным сигналом, при этом начнется ее воспроизведение.

Программирование радио станций

Вы можете хранить и воспроизводить до 30 радиостанций (18 FM, 12 AM).

- Чтобы сохранить станцию:
 - Выберите диапазон (если нужно).
 - Выберите станцию кнопками PREV/NEXT на ПДУ или кнопками UP/DN на панели.
 - Нажмите кнопку с номером 1-6, под которой Вы бы хотели сохранить эту станцию в течение двух секунд.

- Чтобы вызвать станцию:
 - Выберите диапазон (если нужно).
 - Нажмите кнопку с номером нужной сохраненной станции (1-6).

Функция автоматического сохранения станций в памяти

- **Прослушивание сохраненных станций:** Нажмите кнопку APS на ПДУ или кнопку A.P. на панели, чтобы прослушать все сохраненные в текущем диапазоне станции в течение 5 секунд. Во время прослушивания номер каждой станции будет мигать на дисплее. Чтобы остановить прослушивание, повторно нажмите кнопку APS.
- **Автоматическое сохранение:** Нажмите и удерживайте кнопку APS на ПДУ или кнопку A.P. на панели более 2 секунд, 6 станций с самым уверенным приемом будут автоматически сохранены в банке памяти: кнопки 1~6. Чтобы остановить автоматическое сохранение, снова нажмите кнопку APS.

Выбор моно/стерео воспроизведения

Нажмите кнопку ANGLE/ST на ПДУ, чтобы выбрать звуковой канал: Mono (моно), Stereo (стерео).

Функция LOCAL

1. Нажимайте кнопку LOC на ПДУ, чтобы включить или выключить функцию LOCAL.
2. Когда функция LOCAL включена, могут воспроизводиться местные станции (станции со слабым сигналом). Когда функция LOCAL отключена, и местные и удаленные станции будут воспроизводиться.

Функция RDS

Существуют режимы: PI, PS, TP,PTY, TA, AF.

PI: программа идентификации кода.

PS: программа услуги наименования передаваемой станции – наименование станций отображается в алфавитном порядке.

TR: программа приема информации о дорожном движении – транслируются радиостанции, передающие информацию о дорожном движении.

TA: поиск программ о дорожном движении – показывает информацию о дорожном движении.

AF: альтернативная частота – перечень частот вещательных станций, передаваемых той же программой.

Функция AF (альтернативные частоты)

При слабом сигнале функция Альтернативных частот позволяет приемнику настраиваться на другие станции с тем же идентификационным кодом, что и текущая станция, но с более сильным сигналом.

При этом вместо частоты на дисплее появится название станции.

Нажмите кнопку AF, чтобы включить или выключить функцию AF. При включенном режиме AF радио постоянно проверяет силу сигнала альтернативных частот, на которых может транслироваться RDS программа. Если сигнал слабый или исчезает, тюнер будет автоматически искать другую частоту с этой программой.

Если RDS служба не доступна в Вашей местности, выключите режим AF.

Функция выбора передаваемого типа программыPTY

1. Нажмите кнопку PTY на ПДУ, чтобы включить/выключить режим PTY.
2. Вращайте регулятор VOL или нажимайте кнопки +/- на ПДУ, чтобы выбрать тип программы: NEWS, AFFAIRS, INFO, SPORT, EDUCATE, DRAMA, CULTURE, SCIENCE, VARIED, WEATHER, FINANCE, CHILDREN, SOCIAL, RELIGION, PHONE IN, TRAVEL, LEISURE, DOCUMENT, PTY NONE, POP M, ROCK M, EASY M, LIGHT M, CLASSICS, OTHER M, JAZZ, COUNTRY, NATION M, OLDIES, FOLK M.

Внимание

1. При выборе режима РТУ начнется поиск радиостанций в соответствии с заданным типом программы.
2. Если не найдена ни одна радиостанция, соответствующая заданному типу программы, устройство возвращается к обычному режиму воспроизведения.

Функция ТА (программы о дорожном движении)

Нажмите кнопку ТА, чтобы включить/выключить режим ТА. Оповещения о ситуации на дороге прерывают воспроизведение CD и вещание радиостанций. Чтобы прервать эти оповещения, нажмите кнопку ТА однократно, сразу восстановится режим воспроизведения; это не повлечет за собой полного отключения функции.

Воспроизведение дисков/USB/SD/MMC

Используемая терминология

РВС (управление воспроизведением)

Управление воспроизведением – это меню, записанное на видео компакт-дисках. Использование экранов меню, предоставляемых видео компакт-дисками с РВС, позволяет Вам пользоваться простыми интерактивными программами с функциями поиска. Вы также можете просматривать неподвижные изображения с высоким разрешением.

Раздел

Раздел – это важная и необходимая часть записи на DVD-дисках. Объем диска очень велик, что позволяет записывать несколько фильмов на одном диске. Например, если один диск содержит три разных фильма, они подразделяются как Раздел 1, Раздел 2 и Раздел 3. Это позволяет Вам пользоваться удобными функциями поиска.

Глава

Любой Раздел может состоять из отдельных блоков, каждый из которых можно просматривать отдельно. Такой блок называется главой. В каждой главе должно содержаться не меньше одного трека.

Трек

Трек – это основная часть видеодиска. Фактически каждая песня, записанная на диске с караоке песнями, является треком.

Диски для воспроизведения

- Это устройство может воспроизводить разновидности цифровых дисков: CD-R/-RW/DVD±R/±RW.
- Совместимо с форматами: DVD/SVCD/VCD/HDCD/MP3/WMA/Picture-CD/JPEG playback//MPEG4.
- Поддерживаются следующие типы файлов:
Аудио файлы: MP3 (*.mp3)

WMA (*.wma)

Видео файлы: MP4

MPEG 2(*.vob)

MPEG 1(*.dat)

Файлы с изображениями: JPEG (*.jpg)

- ISO 9660 или ISO 9660 + формат Joliet - максимум 30 знаков.
- Максимальное число треков – 448.
- Максимальное число вложений - 8 уровней.
- Максимальное число альбомов – 99.
- Максимальная длина каждого трека - 99 минут 59 секунд.
- Поддерживаемая частота дискретизации для MP3 диска: от 8 кГц до 48 кГц (предпочтительно 44,1 кГц).
- Поддерживаемые скорости цифрового потока MP3 диска: 32 - 320 Кб/сек (предпочтительно 128 Кб/сек).
- Не поддерживаются следующие форматы: *.ACC, *.DLF, *.M3U, *.PLS, MP3 PRO, файлы с DRM.
- Диски с открытой сессией записи не поддерживаются.

Примечания по USB/SD/MMC разъемам

Воспроизведение MP3 файлов с USB карт (флеш-память).

1. Поддержка карт памяти SD/ MMC, 2в1 (SD/MMC).
2. Поддержка USB флеш-карты.
3. Поддержка FAT 12/ FAT 16/ FAT 32
 - FAT 12/ 16 (поддержка 200 папок, 500 файлов),
 - FAT 32 (поддержка 200 папок, 500 файлов).
4. Имя файла: 32 байта/ имя папки: 32 байта.
5. Тэг (id3tag ver. 1.0)

- Имя/ Исполнитель/ Альбом: поддержка 32 байтов.
- 6. Многофункциональный карт-ридер не поддерживается.
- 7. Поддержка формата USB 2.0.

Примечание:

USB: Поддержка формата USB 2.0. Емкость: 8 Мб ~ 1 Гб.

SD: Поддержка брендов SD карт памяти: Cannon, Fuji film, Palm, Motorola, Microsoft, IBM, HP, Compaq, Sharp, Samsung, и т. д. Емкость: 8 Мб ~ 1 Гб.

MMC: Поддержка брендов MMC карт памяти: Ericsson, Nokia, Motorola, HP, Palm, Sanyo, Microsystems, и т.д. Емкость: 16 Мб ~ 1 Гб.

Загрузка дисков

1. Включите питание устройства.
2. Нажмите кнопку EJECT на панели, чтобы опустить ее. Установите диск в слот рабочей стороной вниз. Панель закроется.
3. Устройство автоматически перейдет в режим Disc.

Установка устройств SD/MMC/USB

Вставьте MMC/SD карту или USB носитель в соответствующий слот. Слот для карты памяти находится в верхней части передней панели. Если Вам требуется вставить карту, снимите переднюю панель. Чтобы извлечь карту памяти, надавите на нее, затем вытяните карту из слота.

После того, как носитель будет вставлен в устройство, на дисплее отобразится корневое меню USB устройства или MMC/SD карты.

Воспроизведение/Пауза

Когда диск, карта SD/MMC или USB носитель находятся в устройстве, начинается автоматическое воспроизведение первого трека на носителе. Чтобы обеспечить высокое качество воспроизведения,

дождитесь, пока плеер закончит читать диск, а затем начинайте воспроизведение. Во время воспроизведения нажмите кнопку PLAY/PAUSE, режим паузы активируется. Нажмите кнопку PLAY/PAUSE повторно, чтобы продолжить воспроизведение.

Остановка воспроизведения

В режиме DVD/VCD/CD/MP3/WMA воспроизведения нажмите кнопку STOP на ПДУ. Воспроизведение будет остановлено. Если Вы нажмете кнопку PLAY/PAUSE, воспроизведение начнется с того места, где было остановлено. Если во время остановки воспроизведения диск был извлечен из устройства, функция возобновления проигрывания будет отменена.

Нажмите кнопку STOP дважды, воспроизведение будет остановлено полностью. Нажмите кнопку PLAY/PAUSE, воспроизведение начнется с первого трека.

Переход к предыдущему или следующему треку

Во время воспроизведения нажмите кнопки UP/DN на панели или кнопки PREV/NEXT на ПДУ, чтобы начать воспроизведение следующего или предыдущего трека.

Примечание: Нажимайте кнопки UP/DN или кнопки PREV/NEXT на ПДУ несколько раз, чтобы перейти на несколько треков назад или вперед.

Использование кнопок с цифрами

Для ввода однозначного номера используйте кнопки с цифрами.

Во время проигрывания диска нажмите кнопки 1~9 или 0/10, чтобы выбрать нужный трек (чтобы выбрать 10 нажмите кнопку 0/10)

Для ввода 2- и 3-значных номеров нажмите сначала кнопку 10+, а затем нужную кнопку с цифрой.

К примеру, если вы хотите включить 13 трек, нажмите кнопку 10+ один раз затем нажмите кнопку 3.

Если вы хотите включить 34 трек, нажмите кнопку 10+ три раза подряд затем кнопку 4 (чтобы выбрать 0 нажмите на кнопку 0/10)

Внимание: В MP3/WMA режиме, долгое нажатие на кнопки +10 или -10 включит воспроизведение трека, следующего через 10 треков, или трека, предыдущего за 10 треков.

Ускоренное воспроизведение вперед или назад

Во время воспроизведения нажмите и удерживайте кнопки UP/DN на панели или кнопки PREV/NEXT на ПДУ в течение 2 секунд, чтобы начать ускоренное воспроизведение вперед или назад: X2 => X4 => X8 => X20 => Обычный режим. Нажмите кнопку PLAY/PAUSE, чтобы вернуться к обычному режиму воспроизведения.

Замедленное воспроизведение (для DVD/VCD)

Во время воспроизведения DVD/VCD нажмите кнопку SLOW_FDW на ПДУ, чтобы включить функцию замедленного воспроизведения. С каждым последующим нажатием кнопки SLOW_FDW скорость воспроизведения уменьшится: X1/2 => X1/3 => X1/4 => X1/5 => X1/6 => X1/7 => Обычный режим. Нажмите кнопку PLAY/PAUSE, чтобы вернуться к обычному режиму воспроизведения.

Покадровое воспроизведение (для DVD/VCD)

Нажимайте кнопку STEP, чтобы просматривать видеокадры последовательно. Нажмите кнопку PLAY/PAUSE, чтобы вернуться к обычному режиму воспроизведения.

Повторное воспроизведение

Во время воспроизведения треков нажмите кнопку RPT, чтобы начать повторное воспроизведение:

1. Для VCD/CD дисков: выберите Повтор трека => Повтор всего => Выкл. При включенной функции PBC, когда воспроизводится VCD диск, кнопка RPT не работает.
2. Для DVD дисков: выберите Повтор главы => Повтор раздела => Повтор всего => Выкл.
3. Для файловых дисков: выберите Повтор файла => Повтор папки => Повтор всего => Выкл.

Повтор отрывка А-В

1. Во время воспроизведения на том моменте, с которого Вы хотели бы начать повтор (точка А), нажмите кнопку А-В на ПДУ.
2. На том моменте, до которого Вы хотите произвести повторное воспроизведение (точка В), нажмите кнопку А-В еще раз. Повторное воспроизведение отрывка А-В начнется автоматически.
3. Чтобы остановить воспроизведение, нажмите кнопку еще раз.

Функция сканирования (Intro) (только для CD/VCD)

Вы можете последовательно воспроизводить начало каждого трека в течение 10 секунд. Во время воспроизведения треков нажмите кнопку INT на ПДУ, чтобы начать воспроизведение всех треков. Нажмите кнопку повторно, чтобы отключить данную функцию.

Случайное воспроизведение

Во время воспроизведения треков нажмите кнопку RDM на ПДУ, чтобы включить или отключить воспроизведение треков в произвольном порядке.

Навигационное меню (только для DVD)

1. Нажмите кнопку TITLE/PBC на ПДУ, чтобы вывести список с разделами на экран.
2. Нажимайте кнопки курсора на ПДУ, чтобы выбрать желаемый раздел. Затем нажмите кнопку ОК или кнопку PLAY/PAUSE, чтобы открыть главное меню выбранного раздела.
3. Нажимайте кнопки курсора, чтобы выбрать желаемый трек, затем нажмите кнопку ОК или кнопку PLAY/PAUSE, чтобы начать его воспроизведение.
4. Во время воспроизведения вы можете сразу выйти в основное меню, нажав кнопку MENU на ПДУ.

PBC (Управление воспроизведением) (только для VCD дисков)

Если вы вставляете VCD с функцией PBC, автоматически начинается воспроизведение с начала 1-ого трека.

1. Нажмите кнопку TITLE/PBC на ПДУ, чтобы во время воспроизведения активизировать интерактивное меню на экране.
2. Если меню состоит из списка разделов, Вы можете непосредственно выбирать последовательность их воспроизведения при помощи кнопок с цифрами на ПДУ.

Функция поиска

Для DVD дисков:

1. Во время воспроизведения нажмите кнопку SEARCH на ПДУ, чтобы вывести окно поиска и выбрать раздел. Нажимайте кнопки с цифрами, чтобы выбрать номер желаемого раздела. (Общее количество разделов отображено справа)
2. Нажмите кнопку курсора, чтобы выбрать главу. Нажимайте кнопки с цифрами, чтобы выбрать номер нужной главы (общее количество глав отображено справа).
3. Нажимайте кнопки курсора, чтобы перейти в настройки времени. Нажимайте кнопки с цифрами, чтобы выбрать нужное время.
4. Нажмите кнопку ОК или кнопку PLAY/PAUSE на ПДУ, чтобы начать воспроизведение.

Для VCD/CD/MP3/WMA дисков:

1. Во время воспроизведения нажмите кнопку SEARCH на ПДУ, чтобы вывести окно поиска и выбрать номер трека. Нажимайте кнопки с цифрами, чтобы выбрать номер нужного трека. (Общее количество треков отображено справа).
2. Нажмите кнопки курсора, чтобы выбрать настройки времени. Нажмите кнопки с цифрами, чтобы установить нужное время.
3. Нажмите кнопку ОК или кнопку PLAY/PAUSE на ПДУ, чтобы начать воспроизведение.

Программирование воспроизведения

1. Нажмите кнопку PROG на ПДУ, чтобы открыть окно программирования.
2. При помощи кнопок курсора и кнопок с цифрами выделите позицию и введите номер трека, который должен быть воспроизведен на этом месте.

Для дисков DVD введите номера разделов и глав.

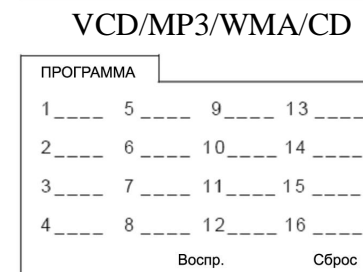
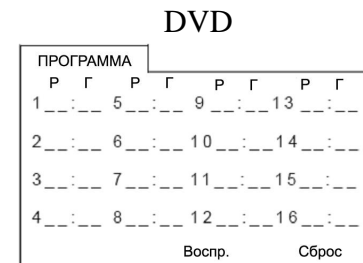
Для VCD, CD, MP3, WMA дисков введите номера треков.

3. Перейдите курсором на пункт «ВОСПР» и нажмите кнопку ОК, чтобы начать воспроизведение запрограммированного списка.
4. Если Вы хотите очистить список, выберите пункт «СБРОС» и нажмите кнопку ОК.
5. Нажмите кнопку PROG, чтобы выйти из режима программирования.

Отображение информации на экране

Нажимайте кнопку OSD на ПДУ, чтобы включить/отключить статус воспроизведения.

- В режиме DVD на экране будет отображено следующее: номер проигрываемого раздела => номер проигрываемой главы => истекшее время воспроизведения главы => оставшееся время воспроизведения текущей главы=> истекшее время воспроизведения раздела => оставшееся время воспроизведения текущего раздела.
- В режиме VCD/CD на экране будет отображено следующее: номер проигрываемого трека => истекшее время воспроизведения трека => оставшееся время воспроизведения трека => истекшее время воспроизведения диска => оставшееся время воспроизведения текущего диска.
- В режиме MP3/WMA на экране будет отображено следующее: номер проигрываемого трека => истекшее время воспроизведения трека => оставшееся время воспроизведения трека.



Изменение языка субтитров (только для DVD дисков)

Нажмите кнопку SUBTITLE на ПДУ для переключения среди поддерживаемых диском языков. Если диск поддерживает только одни субтитры, функция не будет работать.

Выбор языка аудио (только для DVD)

Во время проигрывания DVD диска нажмите кнопку AUDIO на ПДУ, чтобы выбрать язык аудио сопровождения (только для дисков, поддерживающих несколько языков аудио сопровождения).

Выбор режима звучания (только для VCD)

Во время проигрывания VCD диска нажмите кнопку AUDIO на ПДУ: чтобы выбрать режим: Mono L (Моно лев.) => Mono R (Моно прав.) => MixMono (смешанное моно) => Stereo (стерео).

Изменение масштаба изображения (для DVD/VCD)

Нажмите кнопку ZOOM на ПДУ. Изображение при каждом нажатии будет меняться в порядке: ZOOM X2, ZOOM X3, ZOOM X4, ZOOM X1/2, ZOOM X1/3, ZOOM X1/4, ZOOM OFF. Используйте кнопки курсора для перемещения увеличенного изображения.

Изменение угла (только для DVD дисков)

Если DVD-диск поддерживает воспроизведение с различных точек съемки, нажмите кнопку ANGLE/ST на ПДУ для воспроизведения эпизодов с различных точек съемки. Если диск не поддерживает многоугольное воспроизведение, эта функция не будет работать.

Выбор режима воспроизведения (для DVD/VCD)

Нажмите кнопку P/N/BAND на ПДУ, чтобы выбрать нужную систему цветного ТВ.

Операция с файлами аудио/видео/изображениями

При воспроизведении аудио, видео файлов или файлов с изображениями, на экране отобразится список категорий/папок/файлов, и название проигрываемого файла и папки будет отображаться вверху экрана.

Текущий режим будет подсвечен.

Выбор категории

1. Используйте кнопки курсора ВЛЕВО/ВПРАВО, чтобы выбрать: аудио файлы (левая иконка), файлы с изображениями (средняя иконка) или видео файлы (правая иконка).
2. Нажмите кнопку ОК для подтверждения выбора.

Выбор папки

1. Используйте кнопки курсора ВЛЕВО/ВПРАВО, чтобы перейти в список папок, и используйте кнопки курсора ВВЕРХ/ВНИЗ, чтобы выбрать нужную папку.
2. Нажмите кнопку ОК для подтверждения.

Выбор файла

1. Используйте кнопки курсора ВЛЕВО/ВПРАВО, чтобы перейти в список файлов, и используйте кнопки курсора ВВЕРХ/ВНИЗ, чтобы выбрать нужный файл.
2. Нажмите кнопку ОК для воспроизведения.
 - Для файлов с изображениями: нажмите кнопку PLAY/PAUSE, чтобы началось слайд шоу. Нажмите кнопку PROG, чтобы выбрать режим показа изображений. С помощью кнопок курсора Вы можете вращать изображение.
 - Для видео файлов и файлов с изображениями: нажмите кнопку STOP, чтобы открыть список категорий/папок/файлов.

Функция ID3

Данное устройство поддерживает версию ID3 тэгов 1.0. Если MP3/WMA файл содержит информацию ID3, такая информация будет отображаться на дисплее при воспроизведении трека. При отсутствии ID3 информации на дисплее ничего отображаться не будет. ID3 информация может включать в себя данные о файле, папке, музыке, альбоме и исполнителе.

Обзор MP3/WMA

Замечания по MP3/WMA:

- MP3 это краткое обозначение аудио слоя MPEG 3 и относится к стандарту технологии сжатия звука.
- Данное изделие позволяет воспроизводить файлы MP3 на дисках CD-ROM, CD-R или CD-RW.
- Изделие может считывать файлы MP3, записанные в формате, соответствующем ISO 9660. Однако оно не поддерживает данные MP3, записанные методом пакетной записи.
- Изделие не может считывать файлы MP3, которые имеют расширение файла, отличающееся от “.mp3”.
- Если вы воспроизводите не MP3 файл, который имеет расширение “.mp3”, вы можете слышать некоторые шумы.
- В данном руководстве мы рассматриваем файлы, называемые “файлами MP3” и “папкой”, а в технологии PC “дорожкой” и “альбомом” соответственно.
- Максимальное количество уровней директории равно 8, включая корневую директорию. Максимальное количество файлов и папок на диске 256.
- Изделие может не воспроизводить дорожки в последовательном порядке.
- Изделие воспроизводит только аудио треки, если диск содержит как аудио треки, так и файлы MP3.
- При воспроизведении диска 8 килобит или VBR, истекшее время воспроизведения в окне дисплея будет неправильным, а также ознакомительное воспроизведение может не действовать надлежащим образом. VBR: Переменная скорость передачи битов.
- Устройство поддерживает воспроизведение WMA файлов. Воспроизведение ID3 тегов для формата WMA не является гарантированным, так как это зависит от версий и наличия кириллицы.
- WMA (Windows Media Audio) – формат сжатия музыкальных данных, созданный Microsoft Corporation. Формат использует алгоритмы кодирования для сжатия исходной аудиозаписи,

значительно уменьшая размеры файла, но, сохраняя хорошее качество звука даже при низких (например, 64 Кбит/сек) скоростях передачи данных (битрейтах).

- Помните, что изделие может не воспроизводить треки в том порядке, в котором они записаны на диске.

Примечание по созданию собственных CD-R или CD-RW, содержащих файлы MP3:

- Для получения высокого качества звука мы рекомендуем преобразовывать файлы MP3 с эталонной частотой 44,1 кГц и фиксированным битрейтом 128 Кбит/сек.
- Не сохраняйте более 256 файлов MP3 на диске.
- Для формата, совместимого с ISO 9660, максимально допустимая глубина вложенных папок равняется 8, включая корневую директорию (папку).
- При использовании диска CD-R воспроизведение возможно только для дисков, которые были закончены.
- Убедитесь, что при записи MP3 CD-R или CD-RW были отформатированы как диски данных, а НЕ как аудио диски.
- Вы не должны записывать не-MP3 файлы или ненужные папки вместе с файлами MP3 на диск, в противном случае потребуется много времени, пока изделие начнет воспроизводить файлы MP3.
- На некоторых CD-R или CD-RW данные могут не быть записаны надлежащим образом в зависимости от качества их производства. В этом случае данные могут быть воспроизведены не надлежащим образом. Рекомендуются диски CD-R или CD-RW высокого качества.
- Имя альбома или композиции может содержать до 16 символов. Необходима версия 1.x ID3TAG.
- Помните, что изделие может не воспроизводить треки в том порядке, в котором они записаны на диске.

Настройки системы

1. Нажмите кнопку SETUP на ПДУ, чтобы открыть меню настройки системы.
2. Используйте кнопки курсора ВЛЕВО/ВПРАВО, чтобы выбрать нужное меню из списка: Общие настройки, Настройки языка, Настройка аудио, Настройка видео, Настройки колонок, Цифровые настройки.
3. Нажмите кнопку курсора ВНИЗ, чтобы войти в меню.
4. Используйте кнопки курсора ВВЕРХ/ВНИЗ, чтобы выбрать нужную настройку.
5. Нажмите кнопку курсора ВПРАВО, чтобы открыть список установок выбранной настройки.
6. Используйте кнопки курсора ВВЕРХ/ВНИЗ, чтобы выбрать нужную установку, затем нажмите кнопку ОК, чтобы подтвердить выбор.

Системная установка

- **ТВ. система**

AUTO (система ТВ автоматически переключается в соответствии с системой, в которой записан диск), NTSC (эта система используется в США, Тайване, Японии и пр.), PAL (эта система используется в Китае, Европе, Гонконге и пр.), PAL-M, PAL-N.

- **ТВ. режим**

4:3 PS: Когда домашний кинотеатр подключен к обычному телевизору, широкоэкранный образ воспроизводится на всем экране, но часть его обрезается.

4:3 LB: Когда домашний кинотеатр подключен к обычному телевизору, широкоэкранный образ воспроизводится так, что сверху и снизу появляются черные полосы.

16:9: Используйте этот пункт, если домашний кинотеатр подключен к широкоэкранному телевизору.

- **Пароль**

Здесь Вы можете изменить пароль для блокировки и разблокировки функции ограничения просмотра. По умолчанию эта функция заблокирована. Введите Ваш пароль по умолчанию – 0000. Затем нажмите

СИСТЕМНАЯ УСТ.

ТВ СИСТЕМА
ТВ РЕЖИМ
ПАРОЛЬ
ОГРАНИЧЕН.
БАЗОВЫЕ УСТАН.

кнопку ОК, чтобы разблокировать. Нажмите кнопку курсора ВПРАВО, чтобы повторно войти в эту опцию, введите новый пароль нажмите кнопку ОК для подтверждения.

- **Ограничение просмотра**

Эта функция предназначена для контроля родителями за содержанием дисков при их воспроизведении и защищает Ваших детей от сцен насилия и эротики. Диск, уровень которого выше, чем установленный с помощью данной функции, не будет воспроизводиться.

1. Войдите в пункт меню ПАРОЛЬ, затем введите пароль и нажмите кнопку ОК для разблокирования установки ограничения просмотра.
2. Войдите в пункт меню ОГРАНИЧЕНИЕ ПРОСМОТРА, затем с помощью кнопок курсора выберите нужный уровень ограничения, затем нажмите кнопку ОК для подтверждения.
3. Войдите в пункт меню ПАРОЛЬ, затем введите пароль и нажмите кнопку ОК, чтобы заблокировать установку ограничения просмотра.

- **Базовые установки**

Функция переустанавливает настройки устройства на фабричные.

Установка языка

- **Язык, Язык аудио, Язык субтитров**

Эти параметры могут быть изначально установлены в соответствии с Вашими предпочтениями. Если установленные Вами параметры поддерживаются содержанием диска, то воспроизведение будет происходить с учетом Ваших настроек.

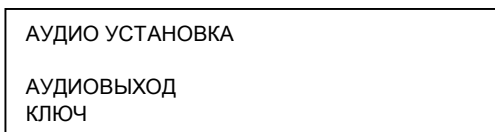
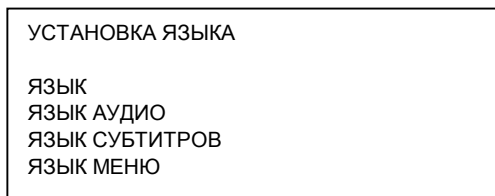
Иначе будут использоваться установки диска, заданные по умолчанию.

- **Язык меню**

Выберите язык меню настройки системы.

Аудио установка

- **Аудиовыход**



Аналог: отсутствует цифровой выходной сигнал (оптический или коаксиальный выход отключен), только аналоговый аудио выход. (опция)

- **Ключ**

Настройте аудио тон.

Настройки видео

Яркость, Контрастность, Оттенок, Насыщенность, Резкость

Вы можете установить яркость, контрастность, оттенок, насыщенность, резкость в соответствии с вашими предпочтениями.

НАСТРОЙКИ ВИДЕО

ЯРКОСТЬ
КОНТРАСТНОСТЬ
ОТТЕНОК
НАСЫЩЕННОСТЬ
РЕЗКОСТЬ

Настройка колонок

- **Микширование**

Л/П: во время воспроизведения диска со звуковым эффектом PRO LOGIC Dolby, выберите данную функцию для воспроизведения сигнала с эффектом живого звука.

НАСТР. КОЛОН.

МИКШИРОВАН.

Сtereo: если Вы выбрали эту настройку во время воспроизведения звукового сигнала с каналами 5.1, сигнал будет идти из левых и правых каналов.

Когда сигнал идет из двух каналов, сигнал будет в стерео режиме из двух каналов.

Вирт. звук: если Вы выбрали эту функцию, когда диск воспроизводится с каналов 5.1, звуковой сигнал будет идти из главных динамиков с эффектом виртуального звука.

Цифровые установки

- **Режим**

LINE OUT: линейная компрессия аудио сигнала. Уровень громкости будет понижен.

ЦИФРОВЫЕ УСТАНОВКИ

РЕЖИМ
ДИНАМ. ДИАП.
ДВОЙНОЕ МОНО

Данную опцию следует активировать в ночное время.

RF REMOD: При выборе данной опции уровень громкости звука будет повышен; активировать в дневное время.

- **Динамический диапазон**

При просмотре ночью программ с высоким динамичным диапазоном звука, выбор этого режима позволит Вам уменьшить звук до очень низкого уровня и в то же время сохранить качество и детали звукового сопровождения. Это позволит Вам не беспокоить остальных членов семьи и сохранить высокое качество звука.

- **Двойное моно**

Сtereo: Стерефонический выходной сигнал.

Моно левый: Выходной сигнал левого канала.

Моно правый: Выходной сигнал правого канала.

Смешанное моно: Усредненный выходной сигнал левого и правого каналов.

Операции с ТВ тюнером

1. Включение соответствующей системы цветного изображения и соответствующей системы звукового сопровождения

В режиме TV несколько раз нажмите кнопку BAND, чтобы включить соответствующую систему цветного изображения. Устройство поддерживает 5 систем: PAL, SECAM, PAL M, PAL N, NTSC. Если ваш дисплей поддерживает только систему NTSC или PAL, дисплей будет мигать или станет бесцветным в случае включения неподдерживаемой системы цветного изображения устройства. После включения одной из 5 вышеперечисленных систем цветного TV несколько раз нажмите и удерживайте кнопку BAND, чтобы включить систему звукового сопровождения режима TV устройства, соответствующую выбранной системе цветного изображения: PAL (PAL-DK, PAL-BG, PAL-I); SECAM (SECAM-BG, SECAM-DK); PAL M (PAL M); PAL N (PAL N); NTSC (NTSC MN). При включении неподдерживаемой системы звукового сопровождения режима TV воспроизведение звука будет невозможным.

2. Поиск и сохранение канала (каналов)

В режиме TV нажмите кнопку APS, чтобы начать поиск доступного канала в диапазоне от текущей до верхней частоты. Когда доступный канал будет найден, поиск прекратится и начнется его трансляция. Найденный канал будет сохранен.

В режиме TV нажмите и удерживайте кнопку APS, чтобы начать поиск всех доступных каналов в диапазоне от нижних до верхних частот. После поиска по всему циклу частот поиск прекратится и начнется трансляция доступного канала на нижней частоте, а все остальные доступные каналы в диапазоне от нижней до верхней частоты будут сохранены на каналах от 1 до 95.

3. Переключение на нужный канал с помощью кнопок UP/DN на панели или кнопок PREV/NEXT на ПДУ.

В режиме TV нажмите кнопки UP/DN на панели или кнопки PREV/NEXT на ПДУ, чтобы выбрать все каналы. Нажмите и удерживайте кнопку APS для поиска по списку каналов, затем нажмите кнопки UP/DN на панели или кнопки PREV/NEXT на ПДУ для переключения на нужный канал.

4. Переключение на нужный канал с помощью кнопок с цифрами

В режиме TV нажмите одну из 10 кнопок с цифрами (1-10), чтобы сразу переключиться на нужный канал. Для переключения на канал с нумерацией более 10 в режиме TV сначала нажмите кнопку 10+, чтобы на экране отобразился символ «__», затем с помощью одной из 10 кнопок с цифрами (1-10) наберите цифру, обозначающую десятки, и затем цифру, обозначающую единицы.

5. Настройка качества сигнала

В режиме TV нажмите и удерживайте кнопки UP/DN на панели или кнопки PREV/NEXT на ПДУ, чтобы настроить качество сигнала текущего канала. Это позволяет улучшить качество изображения и звука данного канала.

6. Сохранение текущего канала на одном из каналов от 1 до 6

В режиме TV нажмите и удерживайте одну из кнопок с цифрами 1-6 на панели, чтобы сохранить текущий канал на одном из каналов (1-6).

Система против кражи

Снятие панели

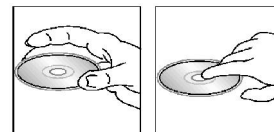
1. Выключите питание устройства, нажав кнопку PWR/MU.
2. Нажмите кнопку REL чтобы отсоединить панель.
3. Положите панель в специальный футляр и возьмите его с собой, когда будете покидать машину.

Съем изделия

1. Снимите панель.
2. Вставьте два Т-образных ключа в отверстие лицевой стороны, пока не услышите щелчок.
3. Выньте изделие.

Обращение с дисками

- Грязные, поцарапанные или погнутые диски могут вызвать искажение звука или шумы
- Держите диск только за края (как показано на рисунке). Чтобы обеспечить чистоту, не прикасайтесь к его поверхности.
- Диски должны храниться в их чехлах после использования, чтобы не поцарапать их поверхность.
- Не подвергайте диски действию прямого солнечного света, повышенной влажности, повышенным температурам или действию пыли.
- Продолжительное влияние предельных температур может изогнуть диск (например, пребывание дисков в автомобиле в летнее время).
- Не царапайте и не пишите что-либо на любой стороне диска. Острые пишущие инструменты или чернила, используемые в них, могут повредить поверхность диска.
- Не оставляйте никаких следов на рабочей стороне диска.
- Не прикрепляйте этикетки или стикеры к какой-либо стороне диска.



Чистка и уход

Чистка корпуса

Протирайте мягкой тканью. Если корпус очень загрязнен (не мочите его), используйте мягкую ткань.



Чистка дисков

Отпечатки пальцев должны быть тщательно стерты с поверхности диска мягкой тканью. В отличие от обычных пластинок, компакт-диски не имеют канавок для сбора пыли и микроскопических частиц грязи, поэтому их можно легко отчистить мягкой тканью. Вытирайте прямолинейным движением от центра к краю. Никогда не используйте растворитель, бензин, очиститель пластинок или антистатический аэрозоль для чистки дисков. Такие химические вещества могут повредить его пластиковой поверхности.

Руководство по устранению неисправностей

Неисправность	Причина	Решение
Нет питания	Зажигание машины не включено. Сгорел предохранитель.	Если источник питания подключен надлежащим образом к выключателю машины, установите ключ зажигания в положение “АСС”. Замените предохранитель.
Невозможно загрузить диск	В плеер установлен диск.	Удалите диск из плеера, затем установите новый.
Невозможно считать диск	Диск установлен верхней стороной вниз. Диск загрязнен или имеет дефект. Температура внутри машины очень высокая.	Установите компакт диск стороной с этикеткой вверх. Очистите диск или установите новый. Подождите, пока температура не станет нормальной.
Нет звука	Звук установлен на минимум. Кабель не подключен надлежащим образом.	Отрегулируйте звук до необходимого уровня. Проверьте подключение кабеля.
Не действуют кнопки	Встроенный микрокомпьютер не работает надлежащим образом из-за шумов. Передняя панель не установлена на свое место.	Нажмите кнопку RESET. Повторно установите переднюю панель.
Звук пропадает	Угол установки устройства более 30 градусов. Диск загрязнен или имеет дефект.	Отрегулируйте угол установки, установив его менее 30 градусов. Очистите диск или установите новый.
Радио не работает. Не работает автоматический выбор радиостанции	Антенный кабель не подключен. Сигналы слишком слабы.	Вставьте антенный кабель надежно. Выберите станцию вручную.

Технические характеристики

Общие	
Источник питания:	12 В
Потребляемый ток:	Максимум 15 А
Максимальная выходная мощность:	50 Вт x 4 канала
Форматы воспроизведения:	DVD/SVCD/VCD/HDCD/MP3/WMA/Picture-CD/JPEG/MPEG4
Поддержка носителей:	CD-R/-RW/DVD±R/±RW
Размеры (Д x Ш x В)/вес:	165 x 178 x 50 мм
Рабочий диапазон температур:	-10°C - +60°C
Функция ESP	40 с для Аудио CD, 120 с для MP3
ЖК дисплей	
Размер дисплея:	4"
Разрешение:	480x272
Формат:	16:9
Контрастность:	300:1
Яркость:	350 кд/м ²
Угол обзора	120° по вертикали, 120° по горизонтали
Сtereo FM радио	
Частотный диапазон:	65,0 – 74,0 / 87,5 – 108,0 МГц
Используемая чувствительность:	6 мкВ
Память цифрового тюнера	18 станции
AM радио	
Частотный диапазон:	522-1620 КГц
Память цифрового тюнера	12 станций
Аудио	
Максимальный уровень сигнала на	2 В RMS (+/-3 дБ)

Выходе:	
Частотный диапазон:	20 Гц – 20 КГц
Уровень сигнал-шум (A-vtd):	90 dB
Разделение	50 dB
Линейный выход	
Выход	Линейный RCA-выход (2V)
ТВ	
Система цвета	PAL/AUTO/NTSC
Чувствительность	65 дБ

Технические характеристики могут быть изменены заводом-изготовителем без предварительного уведомления. Указанные геометрические размеры имеют приблизительные значения.



АИ49

Free Manuals Download Website

<http://myh66.com>

<http://usermanuals.us>

<http://www.somanuals.com>

<http://www.4manuals.cc>

<http://www.manual-lib.com>

<http://www.404manual.com>

<http://www.luxmanual.com>

<http://aubethermostatmanual.com>

Golf course search by state

<http://golfingnear.com>

Email search by domain

<http://emailbydomain.com>

Auto manuals search

<http://auto.somanuals.com>

TV manuals search

<http://tv.somanuals.com>